



HAL
open science

Approximate Capacity of the Gaussian Interference Channel with Noisy Channel-Output Feedback

Victor Quintero, Samir M. Perlaza, Iñaki Esnaola, Jean-Marie Gorce

► **To cite this version:**

Victor Quintero, Samir M. Perlaza, Iñaki Esnaola, Jean-Marie Gorce. Approximate Capacity of the Gaussian Interference Channel with Noisy Channel-Output Feedback. Proceedings of the IEEE Information Theory Workshop (ITW) 2016 , Sep 2016, Cambridge, United Kingdom. hal-01293921v2

HAL Id: hal-01293921

<https://hal.science/hal-01293921v2>

Submitted on 4 Aug 2016 (v2), last revised 14 Nov 2016 (v4)

HAL is a multi-disciplinary open access archive for the deposit and dissemination of scientific research documents, whether they are published or not. The documents may come from teaching and research institutions in France or abroad, or from public or private research centers.

L'archive ouverte pluridisciplinaire **HAL**, est destinée au dépôt et à la diffusion de documents scientifiques de niveau recherche, publiés ou non, émanant des établissements d'enseignement et de recherche français ou étrangers, des laboratoires publics ou privés.

Approximate Capacity of the Gaussian Interference Channel with Noisy Channel-Output Feedback

Victor Quintero, Samir M. Perlaza, Iñaki Esnaola and Jean-Marie Gorce

Abstract—In this paper, an achievability region and a converse region for the two-user Gaussian interference channel with noisy channel-output feedback (G-IC-NOF) are presented. The achievability region is obtained using a random coding argument and three well-known techniques: rate splitting, superposition coding and backward decoding. The converse region is obtained using some of the existing perfect-output feedback outer-bounds as well as a set of new outer-bounds that are obtained by using genie-aided models of the original G-IC-NOF. Finally, it is shown that the achievability region and the converse region approximate the capacity region of the G-IC-NOF to within a constant gap in bits per channel use.

Index Terms—Capacity, Interference Channel, Noisy Channel-Output Feedback.

I. NOTATION

Throughout this paper, $(\cdot)^+$ denotes the positive part operator, i.e., $(\cdot)^+ = \max(\cdot, 0)$ and $\mathbb{E}_X[\cdot]$ denotes the expectation with respect to the distribution of the random variable X . The logarithm function \log is assumed to be base 2.

II. SYSTEM MODEL

Consider the two-user G-IC-NOF in Fig. 1. Transmitter i , with $i \in \{1, 2\}$, communicates with receiver i subject to the interference produced by transmitter j , with $j \in \{1, 2\} \setminus \{i\}$. There are two independent and uniformly distributed messages, $W_i \in \mathcal{W}_i$, with $\mathcal{W}_i = \{1, 2, \dots, 2^{NR_i}\}$, where N denotes the block-length in channel uses and R_i is the transmission rate in bits per channel use. At each block, transmitter i sends the codeword $\mathbf{X}_i = (X_{i,1}, X_{i,2}, \dots, X_{i,N})^T \in \mathcal{X}_i^N$, where \mathcal{X}_i and \mathcal{X}_i^N are respectively the channel-input alphabet and the codebook of transmitter i .

The channel coefficient from transmitter j to receiver i is denoted by h_{ij} ; the channel coefficient from transmitter i to receiver i is denoted by \bar{h}_{ii} ; and the channel coefficient from channel-output i to transmitter i is denoted by \bar{h}_{ii} . All channel coefficients are assumed to be non-negative real numbers. At a given channel use $n \in \{1, 2, \dots, N\}$, the channel output at receiver i is denoted by $\bar{Y}_{i,n}$. During channel use n , the input-output relation of the channel model is given by:

$$\bar{Y}_{i,n} = \bar{h}_{ii} X_{i,n} + h_{ij} X_{j,n} + \bar{Z}_{i,n}, \quad (1)$$

Victor Quintero, Samir M. Perlaza and Jean-Marie Gorce are with the CITI Laboratory, a joint lab between the Institut National de Recherche en Informatique et en Automatique (INRIA), Université de Lyon and Institut National de Sciences Appliquées (INSA) de Lyon. 6 Av. des Arts 69621 Villeurbanne, France. (victor.quintero-florez@inria.fr).

Iñaki Esnaola is with the University of Sheffield, Dep. of Automatic Control and Systems Engineering, Mappin Street, Sheffield, S1 3JD, United Kingdom.

This research was supported in part by the European Commission under Marie Skłodowska-Curie Individual Fellowship No. 659316 (CYBERNETS) and the Administrative Department of Science, Technology and Innovation of Colombia (Colciencias), fellowship No. 617-2013.

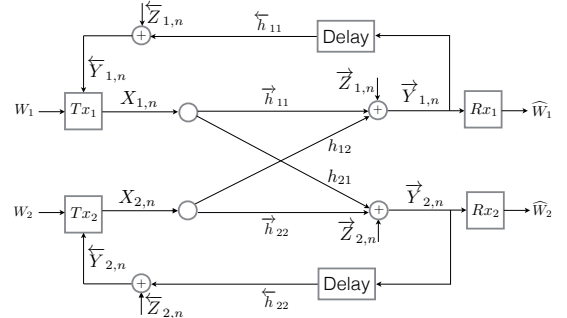


Fig. 1. Gaussian interference channel with noisy channel-output feedback at channel use n .

where $\bar{Z}_{i,n}$ is a real Gaussian random variable with zero mean and unit variance that represents the noise at the input of receiver i . Let $d > 0$ be the finite feedback delay in channel uses. At the end of channel use n , transmitter i observes $\bar{Y}_{i,n}$, which consists of a scaled and noisy version of $\bar{Y}_{i,n-d}$. More specifically,

$$\bar{Y}_{i,n} = \begin{cases} \bar{Z}_{i,n}, & \text{for } n \in \{1, 2, \dots, d\} \\ \bar{h}_{ii} \bar{Y}_{i,n-d} + \bar{Z}_{i,n}, & \text{for } n \in \{d+1, d+2, \dots, N\}, \end{cases} \quad (2)$$

where $\bar{Z}_{i,n}$ is a real Gaussian random variable with zero mean and unit variance that represents the noise in the feedback link of transmitter-receiver pair i . The random variables $\bar{Z}_{i,n}$ and $\bar{Z}_{i,n}$ are independent and identically distributed. In the following, without loss of generality, the feedback delay is assumed to be one channel use ($d = 1$). The encoder of transmitter i is defined by a set of deterministic functions $f_i^{(1)}, \dots, f_i^{(N)}$, with $f_i^{(1)} : \mathcal{W}_i \rightarrow \mathcal{X}_i$ and for all $n \in \{2, \dots, N\}$, $f_i^{(n)} : \mathcal{W}_i \times \mathbb{R}^{n-1} \rightarrow \mathcal{X}_i$, such that

$$X_{i,1} = f_i^{(1)}(W_i), \quad \text{and} \quad (3a)$$

$$X_{i,n} = f_i^{(n)}(W_i, \bar{Y}_{i,1}, \dots, \bar{Y}_{i,n-1}). \quad (3b)$$

The components of the input vector \mathbf{X}_i are real numbers subject to an average power constraint:

$$\frac{1}{N} \sum_{n=1}^N \mathbb{E}(X_{i,n}^2) \leq 1, \quad (4)$$

where the expectation is taken over the joint distribution of the message indexes W_1, W_2 , and the noise terms, i.e., $\bar{Z}_{1,1}, \bar{Z}_{2,1}, \bar{Z}_{1,2},$ and $\bar{Z}_{2,2}$. The dependence of $X_{i,n}$ on W_1, W_2 , and the previously observed noise realizations is due to the effect of feedback as shown in (2) and (3).

Assume that during a given communication, T blocks are transmitted. Hence, the decoder of receiver i is defined by a deterministic function $\psi_i : \mathbb{R}_i^{NT} \rightarrow \mathcal{W}_i^T$. At the end of the communication, receiver i uses the sequence $(\vec{Y}_{i,1}, \vec{Y}_{i,2}, \dots, \vec{Y}_{i,NT})$ to obtain an estimation of the message indices

$$(\widehat{W}_i^{(1)}, \widehat{W}_i^{(2)}, \dots, \widehat{W}_i^{(T)}) = \psi_i(\vec{Y}_{i,1}, \vec{Y}_{i,2}, \dots, \vec{Y}_{i,NT}), \quad (5)$$

where $\widehat{W}_i^{(t)}$ is an estimation of the message index sent during block $t \in \{1, 2, \dots, T\}$. The decoding error probability in the two-user G-IC-NOF during block t , denoted by $P_e^{(t)}(N)$, is given by

$$P_e^{(t)}(N) = \max\left(\Pr\left[\widehat{W}_1^{(t)} \neq W_1^{(t)}\right], \Pr\left[\widehat{W}_2^{(t)} \neq W_2^{(t)}\right]\right). \quad (6)$$

The definition of an achievable rate pair $(R_1, R_2) \in \mathbb{R}_+^2$ is given below.

Definition 1 (Achievable Rate Pairs): A rate pair $(R_1, R_2) \in \mathbb{R}_+^2$ is achievable if there exists at least one pair of codebooks \mathcal{X}_1^N and \mathcal{X}_2^N with codewords of length N , and the corresponding encoding functions $f_1^{(1)}, \dots, f_1^{(N)}$ and $f_2^{(1)}, \dots, f_2^{(N)}$ such that the decoding error probability $P_e^{(t)}(N)$ can be made arbitrarily small by letting the block-length N grow to infinity, for all blocks $t \in \{1, \dots, T\}$.

The two-user G-IC-NOF in Fig. 1 can be fully described by six parameters: $\overrightarrow{\text{SNR}}_i$, $\overleftarrow{\text{SNR}}_i$, and INR_{ij} , with $i \in \{1, 2\}$ and $j \in \{1, 2\} \setminus \{i\}$, which are defined as follows

$$\overrightarrow{\text{SNR}}_i = \vec{h}_{ii}^2, \quad (7)$$

$$\text{INR}_{ij} = h_{ij}^2 \text{ and} \quad (8)$$

$$\overleftarrow{\text{SNR}}_i = \overleftarrow{h}_{ii}^2 (\vec{h}_{ii}^2 + 2\vec{h}_{ii}h_{ij} + h_{ij}^2 + 1). \quad (9)$$

III. MAIN RESULTS

This section introduces an achievable region (Theorem 1) and a converse region (Theorem 2), denoted by $\underline{\mathcal{C}}_{\text{G-IC-NOF}}$ and $\overline{\mathcal{C}}_{\text{G-IC-NOF}}$ respectively, for the two-user G-IC-NOF with fixed parameters $\overrightarrow{\text{SNR}}_1, \overrightarrow{\text{SNR}}_2, \text{INR}_{12}, \text{INR}_{21}, \overleftarrow{\text{SNR}}_1$, and $\overleftarrow{\text{SNR}}_2$. In general, the capacity region of a given multi-user channel is said to be approximated to within a constant gap according to the following definition.

Definition 2 (Approximation to within ξ units): A closed and convex set $\mathcal{T} \subset \mathbb{R}_+^n$ is approximated to within ξ units by the sets $\underline{\mathcal{T}}$ and $\overline{\mathcal{T}}$ if $\underline{\mathcal{T}} \subseteq \mathcal{T} \subseteq \overline{\mathcal{T}}$ and for all $\mathbf{t} = (t_1, \dots, t_m) \in \overline{\mathcal{T}}$ then $((t_1 - \xi)^+, \dots, (t_m - \xi)^+) \in \underline{\mathcal{T}}$.

Denote by $\mathcal{C}_{\text{GIC-NOF}}$ the capacity region of the 2-user G-IC-NOF. The achievable region $\underline{\mathcal{C}}_{\text{G-IC-NOF}}$ and the converse region $\overline{\mathcal{C}}_{\text{G-IC-NOF}}$ approximate the capacity region $\mathcal{C}_{\text{GIC-NOF}}$ to within 4.4 bits per channel use (Theorem 3).

A. An Achievable Region for the Two-User G-IC-NOF

The description of the achievable region $\underline{\mathcal{C}}_{\text{G-IC-NOF}}$ is presented using the constants $a_{1,i}$; the functions $a_{2,i} : [0, 1] \rightarrow \mathbb{R}_+$, $a_{7,i} : [0, 1]^3 \rightarrow \mathbb{R}_+$, which are defined as follows, for all $i \in \{1, 2\}$, with $j \in \{1, 2\} \setminus \{i\}$:

$$a_{1,i} = \frac{1}{2} \log \left(2 + \frac{\overrightarrow{\text{SNR}}_i}{\text{INR}_{ji}} \right) - \frac{1}{2}, \quad (10a)$$

$$a_{2,i}(\rho) = \frac{1}{2} \log \left(b_{1,i}(\rho) + 1 \right) - \frac{1}{2}, \quad (10b)$$

$$a_{3,i}(\rho, \mu) = \frac{1}{2} \log \left(\frac{\overleftarrow{\text{SNR}}_i (\text{INR}_{ij} + 1) + b_{1,i}(\rho) + 1}{\overleftarrow{\text{SNR}}_i ((1-\mu)b_{2,i}(\rho) + 2) + b_{1,i}(\rho) + 1} \right), \quad (10c)$$

$$a_{4,i}(\rho, \mu) = \frac{1}{2} \log \left((1-\mu)b_{2,i}(\rho) + 2 \right) - \frac{1}{2}, \quad (10d)$$

$$a_{5,i}(\rho, \mu) = \frac{1}{2} \log \left(2 + \frac{\overrightarrow{\text{SNR}}_i}{\text{INR}_{ji}} + (1-\mu)b_{2,i}(\rho) \right) - \frac{1}{2}, \quad (10e)$$

$$a_{6,i}(\rho, \mu) = \frac{1}{2} \log \left(\frac{\overrightarrow{\text{SNR}}_i}{\text{INR}_{ji}} \left((1-\mu)b_{2,j}(\rho) + 1 \right) + 2 \right) - \frac{1}{2}, \quad (10f)$$

$$a_{7,i}(\rho, \mu_1, \mu_2) = \frac{1}{2} \log \left(\frac{\overrightarrow{\text{SNR}}_i}{\text{INR}_{ji}} \left((1-\mu_i)b_{2,j}(\rho) + 1 \right) + (1-\mu_j)b_{2,i}(\rho) + 2 \right) - \frac{1}{2}. \quad (10g)$$

where the functions $b_{l,i} : [0, 1] \rightarrow \mathbb{R}_+$, with $(l, i) \in \{1, 2\}^2$ are defined as follows

$$b_{1,i}(\rho) = \overrightarrow{\text{SNR}}_i + 2\rho \sqrt{\overrightarrow{\text{SNR}}_i \text{INR}_{ij} + \text{INR}_{ij}} \text{ and} \quad (11a)$$

$$b_{2,i}(\rho) = (1-\rho)\text{INR}_{ij} - 1, \quad (11b)$$

with $j \in \{1, 2\} \setminus \{i\}$.

Note that the functions in (10) and (11) depend on $\overrightarrow{\text{SNR}}_1, \overrightarrow{\text{SNR}}_2, \text{INR}_{12}, \text{INR}_{21}, \overleftarrow{\text{SNR}}_1$, and $\overleftarrow{\text{SNR}}_2$, however as these parameters are fixed in this analysis, this dependence is not emphasized in the definition of these functions. Finally, using this notation, Theorem 1 is presented on the next page.

Proof: The proof of Theorem 1 is presented in [1]. ■

B. Comments on the Achievability

The achievable region is obtained using a random coding argument and combining three classical tools: rate splitting, superposition coding, and backward decoding. This coding scheme is described in [1] and it is specially designed for the two-user IC-NOF. Consequently, only the strictly needed number of superposition code-layers is used. Other achievable schemes, as reported in [2], can also be obtained as special cases of the more general scheme presented in [3]. However, in this more general case, the resulting code for the IC-NOF contains a handful of unnecessary superposing code-layers, which complicates the error probability analysis.

C. A Converse Region for the Two-User G-IC-NOF

The description of the converse region $\overline{\mathcal{C}}_{\text{G-IC-NOF}}$ is determined by the ratios $\frac{\text{INR}_{ij}}{\overrightarrow{\text{SNR}}_j}$, and $\frac{\text{INR}_{ji}}{\overrightarrow{\text{SNR}}_j}$, for all $i \in \{1, 2\}$, with $j \in \{1, 2\} \setminus \{i\}$. All relevant scenarios regarding these

Theorem 1: The capacity region $\mathcal{C}_{\text{GIC-NOF}}$ contains the region $\underline{\mathcal{C}}_{\text{G-IC-NOF}}$ given by the closure of the set of all possible non-negative achievable rate pairs (R_1, R_2) that satisfy

$$R_1 \leq \min \left(a_{2,1}(\rho), a_{6,1}(\rho, \mu_1) + a_{3,2}(\rho, \mu_1), a_{1,1} + a_{3,2}(\rho, \mu_1) + a_{4,2}(\rho, \mu_1) \right), \quad (12a)$$

$$R_2 \leq \min \left(a_{2,2}(\rho), a_{3,1}(\rho, \mu_2) + a_{6,2}(\rho, \mu_2), a_{3,1}(\rho, \mu_2) + a_{4,1}(\rho, \mu_2) + a_{1,2} \right), \quad (12b)$$

$$R_1 + R_2 \leq \min \left(a_{2,1}(\rho) + a_{1,2}, a_{1,1} + a_{2,2}(\rho), a_{3,1}(\rho, \mu_2) + a_{1,1} + a_{3,2}(\rho, \mu_1) + a_{7,2}(\rho, \mu_1, \mu_2), \right. \\ \left. a_{3,1}(\rho, \mu_2) + a_{5,1}(\rho, \mu_2) + a_{3,2}(\rho, \mu_1) + a_{5,2}(\rho, \mu_1), a_{3,1}(\rho, \mu_2) + a_{7,1}(\rho, \mu_1, \mu_2) + a_{3,2}(\rho, \mu_1) + a_{1,2} \right), \quad (12c)$$

$$2R_1 + R_2 \leq \min \left(a_{2,1}(\rho) + a_{1,1} + a_{3,2}(\rho, \mu_1) + a_{7,2}(\rho, \mu_1, \mu_2), \right. \\ \left. a_{3,1}(\rho, \mu_2) + a_{1,1} + a_{7,1}(\rho, \mu_1, \mu_2) + 2a_{3,2}(\rho, \mu_1) + a_{5,2}(\rho, \mu_1), a_{2,1}(\rho) + a_{1,1} + a_{3,2}(\rho, \mu_1) + a_{5,2}(\rho, \mu_1) \right), \quad (12d)$$

$$R_1 + 2R_2 \leq \min \left(a_{3,1}(\rho, \mu_2) + a_{5,1}(\rho, \mu_2) + a_{2,2}(\rho) + a_{1,2}, a_{3,1}(\rho, \mu_2) + a_{7,1}(\rho, \mu_1, \mu_2) + a_{2,2}(\rho) + a_{1,2}, \right. \\ \left. 2a_{3,1}(\rho, \mu_2) + a_{5,1}(\rho, \mu_2) + a_{3,2}(\rho, \mu_1) + a_{1,2} + a_{7,2}(\rho, \mu_1, \mu_2) \right), \quad (12e)$$

with $(\rho, \mu_1, \mu_2) \in \left[0, \left(1 - \max\left(\frac{1}{\text{INR}_{12}}, \frac{1}{\text{INR}_{21}}\right)\right)^+\right] \times [0, 1] \times [0, 1]^2$.

ratios are described by two events denoted by $S_{l_1,1}$ and $S_{l_2,2}$, where $(l_1, l_2) \in \{1, \dots, 5\}^2$:

$$S_{1,i}: \overrightarrow{\text{SNR}}_j < \min(\text{INR}_{ij}, \text{INR}_{ji}), \quad (13a)$$

$$S_{2,i}: \text{INR}_{ji} \leq \overrightarrow{\text{SNR}}_j < \text{INR}_{ij}, \quad (13b)$$

$$S_{3,i}: \text{INR}_{ij} \leq \overrightarrow{\text{SNR}}_j < \text{INR}_{ji}, \quad (13c)$$

$$S_{4,i}: \max(\text{INR}_{ij}, \text{INR}_{ji}) \leq \overrightarrow{\text{SNR}}_j < \text{INR}_{ij} \text{INR}_{ji}, \quad (13d)$$

$$S_{5,i}: \overrightarrow{\text{SNR}}_j \geq \max(\text{INR}_{ij}, \text{INR}_{ji}, \text{INR}_{ij} \text{INR}_{ji}). \quad (13e)$$

Note that for all $i \in \{1, 2\}$, the events $S_{1,i}$, $S_{2,i}$, $S_{3,i}$, $S_{4,i}$, and $S_{5,i}$ are mutually exclusive. This observation shows that given any 4-tuple $(\overrightarrow{\text{SNR}}_1, \overrightarrow{\text{SNR}}_2, \text{INR}_{12}, \text{INR}_{21})$, there always exists one and only one pair of events $(S_{l_1,1}, S_{l_2,2})$, with $(l_1, l_2) \in \{1, \dots, 5\}^2$, that identifies a unique scenario. Note also that the pairs of events $(S_{2,1}, S_{2,2})$ and $(S_{3,1}, S_{3,2})$ are not feasible. In view of this, twenty-three different scenarios can be identified using the events in (13). Once the exact scenario is identified, the converse region is described using the functions $\kappa_{l,i}: [0, 1] \rightarrow \mathbb{R}_+$, with $(l, i) \in \{1, \dots, 3\} \times \{1, 2\}$; $\kappa_l: [0, 1] \rightarrow \mathbb{R}_+$, with $l \in \{4, 5\}$; $\kappa_{6,l}: [0, 1] \rightarrow \mathbb{R}_+$, with $l \in \{1, \dots, 4\}$; and $\kappa_{7,i,l}: [0, 1] \rightarrow \mathbb{R}_+$, with $(i, l) \in \{1, 2\}^2$. These functions are defined as follows for all $i \in \{1, 2\}$, with $j \in \{1, 2\} \setminus \{i\}$

$$\kappa_{1,i}(\rho) = \frac{1}{2} \log(b_{1,i}(\rho) + 1), \quad (14a)$$

$$\kappa_{2,i}(\rho) = \frac{1}{2} \log\left(1 + b_{5,j}(\rho)\right) + \frac{1}{2} \log\left(1 + \frac{b_{4,i}(\rho)}{1 + b_{5,j}(\rho)}\right), \quad (14b)$$

$$\kappa_{3,i}(\rho) = \frac{1}{2} \log\left(\frac{\overleftarrow{\text{SNR}}_j (b_{4,i}(\rho) + b_{5,j}(\rho) + 1)}{(b_{1,j}(\rho) + 1)(b_{4,i}(\rho) + (1 - \rho^2))} + 1\right) \\ + \frac{1}{2} \log(b_{4,i}(\rho) + 1), \quad (14c)$$

$$\kappa_4(\rho) = \frac{1}{2} \log\left(1 + \frac{b_{4,1}(\rho)}{1 + b_{5,2}(\rho)}\right) + \frac{1}{2} \log(b_{1,2}(\rho) + 1), \quad (14d)$$

$$\kappa_5(\rho) = \frac{1}{2} \log\left(1 + \frac{b_{4,2}(\rho)}{1 + b_{5,1}(\rho)}\right) + \frac{1}{2} \log(b_{1,1}(\rho) + 1), \quad (14e)$$

$$\kappa_6(\rho) = \begin{cases} \kappa_{6,1}(\rho) & \text{if } (S_{1,2} \vee S_{2,2} \vee S_{5,2}) \\ & \wedge (S_{1,1} \vee S_{2,1} \vee S_{5,1}) \\ \kappa_{6,2}(\rho) & \text{if } (S_{1,2} \vee S_{2,2} \vee S_{5,2}) \\ & \wedge (S_{3,1} \vee S_{4,1}) \\ \kappa_{6,3}(\rho) & \text{if } (S_{3,2} \vee S_{4,2}) \\ & \wedge (S_{1,1} \vee S_{2,1} \vee S_{5,1}) \\ \kappa_{6,4}(\rho) & \text{if } (S_{3,2} \vee S_{4,2}) \wedge (S_{3,1} \vee S_{4,1}) \end{cases} \quad (14f)$$

$$\kappa_{7,i}(\rho) = \begin{cases} \kappa_{7,i,1}(\rho) & \text{if } (S_{1,i} \vee S_{2,i} \vee S_{5,i}) \\ \kappa_{7,i,2}(\rho) & \text{if } (S_{3,i} \vee S_{4,i}) \end{cases} \quad (14g)$$

where

$$\kappa_{6,1}(\rho) = \frac{1}{2} \log(b_{1,1}(\rho) + b_{5,1}(\rho) \text{INR}_{21}) - \frac{1}{2} \log(1 + \text{INR}_{12}) \\ + \frac{1}{2} \log\left(1 + \frac{b_{5,2}(\rho) \overleftarrow{\text{SNR}}_2}{b_{1,2}(\rho) + 1}\right) \\ + \frac{1}{2} \log(b_{1,2}(\rho) + b_{5,1}(\rho) \text{INR}_{21}) - \frac{1}{2} \log(1 + \text{INR}_{21}) \\ + \frac{1}{2} \log\left(1 + \frac{b_{5,1}(\rho) \overleftarrow{\text{SNR}}_1}{b_{1,1}(\rho) + 1}\right) + \log(2\pi e), \quad (15a)$$

$$\kappa_{6,2}(\rho) = \frac{1}{2} \log(b_{1,1}(\rho) + b_{5,1}(\rho) \text{INR}_{21}) - \frac{1}{2} \log(1 + \text{INR}_{12}) \\ + \frac{1}{2} \log\left(1 + \frac{b_{5,2}(\rho)}{\overrightarrow{\text{SNR}}_2} \left(\text{INR}_{12} + \frac{\overleftarrow{\text{SNR}}_2 (b_{3,2})}{b_{1,2}(\rho) + 1}\right)\right) \\ - \frac{1}{2} \log\left(1 + \frac{b_{5,1}(\rho) \text{INR}_{21}}{\overrightarrow{\text{SNR}}_2}\right) \\ + \frac{1}{2} \log\left(1 + \frac{b_{5,1}(\rho) \overleftarrow{\text{SNR}}_1}{b_{1,1}(\rho) + 1}\right) \\ + \frac{1}{2} \log\left(b_{6,2}(\rho) + \frac{b_{5,1}(\rho) \text{INR}_{21}}{\overrightarrow{\text{SNR}}_2} (\overrightarrow{\text{SNR}}_2 + b_{3,2})\right) \\ - \frac{1}{2} \log(1 + \text{INR}_{21}) + \log(2\pi e), \quad (15b)$$

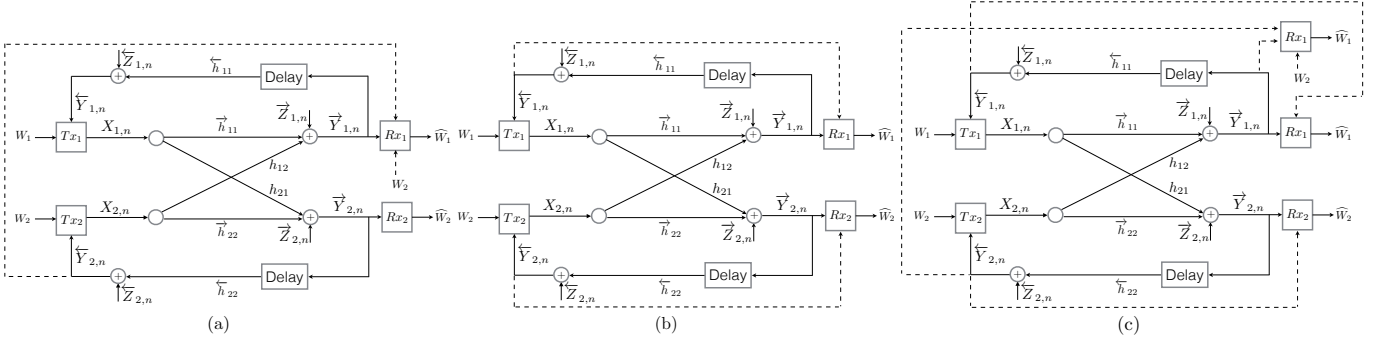


Fig. 2. Genie-Aided G-IC-NOF models for channel use n . (a) Model used to calculate the outer-bound on R_1 ; (b) Model used to calculate the outer-bound on $R_1 + R_2$; and (c) Model used to calculate the outer-bound on $2R_1 + R_2$

$$\begin{aligned}
\kappa_{6,3}(\rho) &= \frac{1}{2} \log \left(b_{6,1}(\rho) + \text{INR}_{12} \right. \\
&\quad \left. + \frac{b_{5,1}(\rho) \text{INR}_{21}}{\overrightarrow{\text{SNR}}_1} \left(\overrightarrow{\text{SNR}}_1 + b_{3,1} \right) \right) \\
&\quad - \frac{1}{2} \log \left(1 + \text{INR}_{12} \right) + \frac{1}{2} \log \left(1 + \frac{b_{5,2}(\rho) \overleftarrow{\text{SNR}}_2}{b_{1,2}(\rho) + 1} \right) \\
&\quad + \frac{1}{2} \log \left(b_{1,2}(\rho) + b_{5,1}(\rho) \text{INR}_{21} \right) - \frac{1}{2} \log \left(1 + \text{INR}_{21} \right) \\
&\quad + \frac{1}{2} \log \left(1 + \frac{b_{5,1}(\rho)}{\overrightarrow{\text{SNR}}_1} \left(\text{INR}_{21} + \frac{\overleftarrow{\text{SNR}}_1(b_{3,1})}{b_{1,1}(\rho) + 1} \right) \right) \\
&\quad - \frac{1}{2} \log \left(1 + \frac{b_{5,1}(\rho) \text{INR}_{21}}{\overrightarrow{\text{SNR}}_1} \right) + \log(2\pi e), \quad (15c)
\end{aligned}$$

$$\begin{aligned}
\kappa_{6,4}(\rho) &= \frac{1}{2} \log \left(b_{6,1}(\rho) + \frac{b_{5,1}(\rho) \text{INR}_{21}}{\overrightarrow{\text{SNR}}_1} \left(\overrightarrow{\text{SNR}}_1 + b_{3,1} \right) \right) \\
&\quad - \frac{1}{2} \log \left(1 + \text{INR}_{12} \right) - \frac{1}{2} \log \left(1 + \text{INR}_{21} \right) \\
&\quad + \frac{1}{2} \log \left(1 + \frac{b_{5,2}(\rho)}{\overrightarrow{\text{SNR}}_2} \left(\text{INR}_{12} + \frac{\overleftarrow{\text{SNR}}_2(b_{3,2})}{b_{1,2}(\rho) + 1} \right) \right) \\
&\quad - \frac{1}{2} \log \left(1 + \frac{b_{5,1}(\rho) \text{INR}_{21}}{\overrightarrow{\text{SNR}}_2} \right) \\
&\quad - \frac{1}{2} \log \left(1 + \frac{b_{5,1}(\rho) \text{INR}_{21}}{\overrightarrow{\text{SNR}}_1} \right) \\
&\quad + \frac{1}{2} \log \left(b_{6,2}(\rho) + \frac{b_{5,1}(\rho) \text{INR}_{21}}{\overrightarrow{\text{SNR}}_2} \left(\overrightarrow{\text{SNR}}_2 + b_{3,2} \right) \right) \\
&\quad + \frac{1}{2} \log \left(1 + \frac{b_{5,1}(\rho)}{\overrightarrow{\text{SNR}}_1} \left(\text{INR}_{21} + \frac{\overleftarrow{\text{SNR}}_1(b_{3,1})}{b_{1,1}(\rho) + 1} \right) \right) \\
&\quad + \log(2\pi e), \quad (15d)
\end{aligned}$$

and

$$\begin{aligned}
\kappa_{7,i,1}(\rho) &= \frac{1}{2} \log \left(b_{1,i}(\rho) + 1 \right) - \frac{1}{2} \log \left(1 + \text{INR}_{ij} \right) \\
&\quad + \frac{1}{2} \log \left(1 + \frac{b_{5,j}(\rho) \overleftarrow{\text{SNR}}_j}{b_{1,j}(\rho) + 1} \right) \\
&\quad + \frac{1}{2} \log \left(b_{1,j}(\rho) + b_{5,i}(\rho) \text{INR}_{ji} \right) \\
&\quad + \frac{1}{2} \log \left(1 + b_{4,i}(\rho) + b_{5,j}(\rho) \right) - \frac{1}{2} \log \left(1 + b_{5,j}(\rho) \right) \\
&\quad + 2 \log(2\pi e), \quad (16a)
\end{aligned}$$

$$\begin{aligned}
\kappa_{7,i,2}(\rho) &= \frac{1}{2} \log \left(b_{1,i}(\rho) + 1 \right) - \frac{1}{2} \log \left(1 + \text{INR}_{ij} \right) \\
&\quad - \frac{1}{2} \log \left(1 + b_{5,j}(\rho) \right) + \frac{1}{2} \log \left(1 + b_{4,i}(\rho) + b_{5,j}(\rho) \right) \\
&\quad + \frac{1}{2} \log \left(1 + (1 - \rho^2) \frac{\text{INR}_{ji}}{\overrightarrow{\text{SNR}}_j} \left(\text{INR}_{ij} + \right. \right. \\
&\quad \left. \left. \frac{\overleftarrow{\text{SNR}}_j(b_{3,j})}{b_{1,j}(\rho) + 1} \right) \right) - \frac{1}{2} \log \left(1 + \frac{b_{5,i}(\rho) \text{INR}_{ji}}{\overrightarrow{\text{SNR}}_j} \right) \\
&\quad + \frac{1}{2} \log \left(b_{6,j}(\rho) + \frac{b_{5,i}(\rho) \text{INR}_{ji}}{\overrightarrow{\text{SNR}}_j} \left(\overrightarrow{\text{SNR}}_j + b_{3,j} \right) \right) \\
&\quad + 2 \log(2\pi e), \quad (16b)
\end{aligned}$$

where the functions $b_{l,i}$, with $(l,i) \in \{1,2\}^2$ are defined in (11); $b_{3,i}$ are constants; and the functions $b_{l,i} : [0,1] \rightarrow \mathbb{R}_+$, with $(l,i) \in \{4,5,6\} \times \{1,2\}$ are defined as follows, with $j \in \{1,2\} \setminus \{i\}$:

$$b_{3,i} = \overrightarrow{\text{SNR}}_i - 2\sqrt{\overrightarrow{\text{SNR}}_i \text{INR}_{ji}} + \text{INR}_{ji}, \quad (17a)$$

$$b_{4,i}(\rho) = (1 - \rho^2) \overrightarrow{\text{SNR}}_i, \quad (17b)$$

$$b_{5,i}(\rho) = (1 - \rho^2) \text{INR}_{ij}, \quad (17c)$$

$$\begin{aligned}
b_{6,i}(\rho) &= \overrightarrow{\text{SNR}}_i + \text{INR}_{ij} + 2\rho\sqrt{\text{INR}_{ij}} \left(\sqrt{\overrightarrow{\text{SNR}}_i} - \sqrt{\text{INR}_{ji}} \right) \\
&\quad + \frac{\text{INR}_{ij} \sqrt{\text{INR}_{ji}}}{\overrightarrow{\text{SNR}}_i} \left(\sqrt{\text{INR}_{ji}} - 2\sqrt{\overrightarrow{\text{SNR}}_i} \right). \quad (17d)
\end{aligned}$$

Note that the functions in (14), (15), (16) and (17) depend on $\overrightarrow{\text{SNR}}_1$, $\overrightarrow{\text{SNR}}_2$, INR_{12} , INR_{21} , $\overleftarrow{\text{SNR}}_1$, and $\overleftarrow{\text{SNR}}_2$. However, these parameters are fixed in this analysis, and therefore, this dependence is not emphasized in the definition of these functions. Finally, using this notation, Theorem 2 is presented below.

Theorem 2: *The capacity region $\mathcal{C}_{\text{GIC-NOF}}$ is contained within the region $\overline{\mathcal{C}}_{\text{G-IC-NOF}}$ given by the closure of the set of non-negative rate pairs (R_1, R_2) that satisfy for all $i \in \{1,2\}$, with $j \in \{1,2\} \setminus \{i\}$:*

$$R_i \leq \min(\kappa_{1,i}(\rho), \kappa_{2,i}(\rho)), \quad (18a)$$

$$R_i \leq \kappa_{3,i}(\rho), \quad (18b)$$

$$R_1 + R_2 \leq \min(\kappa_4(\rho), \kappa_5(\rho)), \quad (18c)$$

$$R_1 + R_2 \leq \kappa_6(\rho), \quad (18d)$$

$$2R_i + R_j \leq \kappa_{7,i}(\rho), \quad (18e)$$

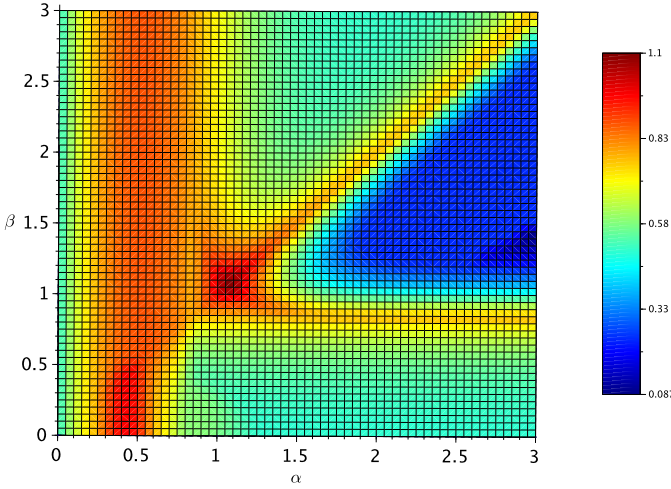


Fig. 3. Gap between the converse region $\bar{\mathcal{C}}_{\text{G-IC-NOF}}$ and the achievable region $\underline{\mathcal{C}}_{\text{G-IC-NOF}}$ of the two-user G-IC-NOF, under symmetric channel conditions, i.e., $\text{SNR}_1 = \text{SNR}_2 = \text{SNR}$, $\text{INR}_{12} = \text{INR}_{21} = \text{INR}$, and $\check{\text{SNR}}_1 = \check{\text{SNR}}_2 = \check{\text{SNR}}$, as a function of $\alpha = \frac{\log \text{INR}}{\log \text{SNR}}$ and $\beta = \frac{\log \check{\text{SNR}}}{\log \text{SNR}}$.

with $\rho \in [0, 1]$.

Proof: The proof of Theorem 2 is presented in [1]. ■

D. Comments on the Converse Region

The outer bounds (18a) and (18c) correspond to the outer bounds for the case of perfect channel-output feedback [4]. The bounds (18b), (18d) and (18e) correspond to new outer bounds that generalize those presented in [2] for the two-user symmetric G-IC-NOF. These new outer-bounds were obtained using the genie-aided models shown in Fig. 2.

E. A Gap Between the Achievable Region and the Converse Region

Theorem 3 describes the gap between the achievable region $\underline{\mathcal{C}}_{\text{G-IC-NOF}}$ and the converse region $\bar{\mathcal{C}}_{\text{G-IC-NOF}}$ using the approximation notion described in Definition 2.

Theorem 3: The capacity region of the two-user G-IC-NOF is approximated to within 4.4 bits per channel use by the achievable region $\underline{\mathcal{C}}_{\text{G-IC-NOF}}$ and the converse region $\bar{\mathcal{C}}_{\text{G-IC-NOF}}$.

Proof: The proof of Theorem 3 is presented in [1]. ■

The gap, denoted by δ , between the sets $\bar{\mathcal{C}}_{\text{G-IC-NOF}}$ and $\underline{\mathcal{C}}_{\text{G-IC-NOF}}$ can be approximated (Definition 2) as follows

$$\delta \leq \max \left(\delta_{R_1}, \delta_{R_2}, \frac{\delta_{2R}}{2}, \frac{\delta_{3R_1}}{3}, \frac{\delta_{3R_2}}{3} \right), \quad (19)$$

where

$$\begin{aligned} \delta_{R_1} \triangleq & \min \left(\kappa_{1,1}(\rho), \kappa_{2,1}(\rho), \kappa_{3,1}(\rho) \right) - \min \left(a_{2,1}(\rho), \right. \\ & \left. a_{6,1}(\rho, \mu_1) + a_{3,2}(\rho, \mu_1), a_{1,1} + a_{3,2}(\rho, \mu_1) + a_{4,2}(\rho, \mu_1) \right), \end{aligned} \quad (20a)$$

$$\begin{aligned} \delta_{R_2} \triangleq & \min \left(\kappa_{1,2}(\rho), \kappa_{2,2}(\rho), \kappa_{3,2}(\rho) \right) - \min \left(a_{2,2}(\rho), \right. \\ & \left. a_{3,1}(\rho, \mu_2) + a_{6,2}(\rho, \mu_2), a_{3,1}(\rho, \mu_2) + a_{4,1}(\rho, \mu_2) + a_{1,2} \right), \end{aligned} \quad (20b)$$

$$\begin{aligned} \delta_{2R} \triangleq & \min \left(\kappa_4(\rho), \kappa_5(\rho), \kappa_6(\rho) \right) - \min \left(a_{2,1}(\rho) + a_{1,2}, \right. \\ & a_{1,1} + a_{2,2}(\rho), \\ & a_{3,1}(\rho, \mu_2) + a_{1,1} + a_{3,2}(\rho, \mu_1) + a_{7,2}(\rho, \mu_1, \mu_2), \\ & a_{3,1}(\rho, \mu_2) + a_{5,1}(\rho, \mu_2) + a_{3,2}(\rho, \mu_1) + a_{5,2}(\rho, \mu_1), \\ & \left. a_{3,1}(\rho, \mu_2) + a_{7,1}(\rho, \mu_1, \mu_2) + a_{3,2}(\rho, \mu_1) + a_{1,2} \right), \end{aligned} \quad (20c)$$

$$\begin{aligned} \delta_{3R_1} \triangleq & \kappa_{7,1}(\rho) - \min \left(a_{2,1}(\rho) + a_{1,1} + a_{3,2}(\rho, \mu_1) \right. \\ & \left. + a_{7,2}(\rho, \mu_1, \mu_2), a_{3,1}(\rho, \mu_2) + a_{1,1} + a_{7,1}(\rho, \mu_1, \mu_2) \right. \\ & \left. + 2a_{3,2}(\rho, \mu_1) + a_{5,2}(\rho, \mu_1), a_{2,1}(\rho) + a_{1,1} + a_{3,2}(\rho, \mu_1) \right. \\ & \left. + a_{5,2}(\rho, \mu_1) \right), \end{aligned} \quad (20d)$$

$$\begin{aligned} \delta_{3R_2} \triangleq & \kappa_{7,2}(\rho) - \min \left(a_{3,1}(\rho, \mu_2) + a_{5,1}(\rho, \mu_2) + a_{2,2}(\rho) \right. \\ & \left. + a_{1,2}, a_{3,1}(\rho, \mu_2) + a_{7,1}(\rho, \mu_1, \mu_2) + a_{2,2}(\rho) + a_{1,2}, \right. \\ & \left. 2a_{3,1}(\rho, \mu_2) + a_{5,1}(\rho, \mu_2) + a_{3,2}(\rho, \mu_1) + a_{1,2} \right. \\ & \left. + a_{7,2}(\rho, \mu_1, \mu_2) \right). \end{aligned} \quad (20e)$$

Note that δ_{R_1} and δ_{R_2} represent the gap between the active achievable single-rate bound and the active converse single-rate bound; δ_{2R} represents the gap between the active achievable sum-rate bound and the active converse sum-rate bound; and, δ_{3R_1} and δ_{3R_2} represent the gap between the active achievable weighted sum-rate bound and the active converse weighted sum-rate bound.

Finally, it is important to highlight that, as suggested in [2], [4], and [5], the gap between $\underline{\mathcal{C}}_{\text{G-IC-NOF}}$ and $\bar{\mathcal{C}}_{\text{G-IC-NOF}}$ can be calculated more precisely. However, the choice in (19) eases the calculations at the expense of less precision.

Fig. 3 presents the exact gap existing between the achievable region $\underline{\mathcal{C}}_{\text{G-IC-NOF}}$ and the converse region $\bar{\mathcal{C}}_{\text{G-IC-NOF}}$ for the case in which $\overline{\text{SNR}}_1 = \overline{\text{SNR}}_2 = \overline{\text{SNR}}$, $\text{INR}_{12} = \text{INR}_{21} = \text{INR}$, and $\check{\text{SNR}}_1 = \check{\text{SNR}}_2 = \check{\text{SNR}}$ as a function of $\alpha = \frac{\log \text{INR}}{\log \text{SNR}}$ and $\beta = \frac{\log \check{\text{SNR}}}{\log \text{SNR}}$. Note that in this case, the maximum gap is 1.1 bits per channel use and occurs when $\alpha = \beta = 1.1$.

IV. CONCLUSIONS

An achievable region and a converse region for the two-user G-IC-NOF have been introduced. It has been shown that these regions approximate the capacity region of the two-user G-IC-NOF to within 4.4 bits per channel use.

REFERENCES

- [1] V. Quintero, S. M. Perlaza, I. Esnaola, and J.-M. Gorce, "Approximate capacity of the two-user Gaussian interference channel with noisy channel-output feedback," INRIA Grenoble - Rhône-Alpes, Lyon, France, Tech. Rep. 8861, Mar. 2016.
- [2] S.-Q. Le, R. Tandon, M. Motani, and H. V. Poor, "Approximate capacity region for the symmetric Gaussian interference channel with noisy feedback," *IEEE Trans. Inf. Theory*, vol. 61, no. 7, pp. 3737–3762, Jul. 2015.
- [3] D. Tuninetti, "On interference channel with generalized feedback (IF-GF)," in *Proc. of International Symposium on Information Theory (ISIT)*, Nice, France, Jun. 2007, pp. 2661–2665.
- [4] C. Suh and D. N. C. Tse, "Feedback capacity of the Gaussian interference channel to within 2 bits," *IEEE Trans. Inf. Theory*, vol. 57, no. 5, pp. 2667–2685, May. 2011.
- [5] R. H. Etkin, D. N. C. Tse, and W. Hua, "Gaussian interference channel capacity to within one bit," *IEEE Trans. Inf. Theory*, vol. 54, no. 12, pp. 5534–5562, Dec. 2008.