



HAL
open science

Impact of kinetic isotope effects in isotopic studies of metabolic systems

Pierre Millard, Jean-Charles Portais, Pedro Mendes

► **To cite this version:**

Pierre Millard, Jean-Charles Portais, Pedro Mendes. Impact of kinetic isotope effects in isotopic studies of metabolic systems. BMC Systems Biology, 2015, 9 (1), <10.1186/s12918-015-0213-8>. <hal-01269427>

HAL Id: hal-01269427

<https://hal.science/hal-01269427v1>

Submitted on 18 Jun 2019

HAL is a multi-disciplinary open access archive for the deposit and dissemination of scientific research documents, whether they are published or not. The documents may come from teaching and research institutions in France or abroad, or from public or private research centers.

L'archive ouverte pluridisciplinaire **HAL**, est destinée au dépôt et à la diffusion de documents scientifiques de niveau recherche, publiés ou non, émanant des établissements d'enseignement et de recherche français ou étrangers, des laboratoires publics ou privés.



Distributed under a Creative Commons CC BY 4.0 - Attribution - International License

RESEARCH ARTICLE

Open Access



Impact of kinetic isotope effects in isotopic studies of metabolic systems

Pierre Millard^{1,2,3,4,5*}, Jean-Charles Portais^{3,4,5} and Pedro Mendes^{1,2,6}

Abstract

Background: Isotope labeling experiments (ILEs) are increasingly used to investigate the functioning of metabolic systems. Some enzymes are subject to kinetic isotope effects (KIEs) which modulate reaction rates depending on the isotopic composition of their substrate(s). KIEs may therefore affect both the propagation of isotopes through metabolic networks and their operation, and ultimately jeopardize the biological value of ILEs. However, the actual impact of KIEs on metabolism has never been investigated at the system level.

Results: First, we developed a framework which integrates KIEs into kinetic and isotopic models of metabolism, thereby accounting for their system-wide effects on metabolite concentrations, metabolic fluxes, and isotopic patterns. Then, we applied this framework to assess the impact of KIEs on the central carbon metabolism of *Escherichia coli* in the context of ¹³C-ILEs, under different situations commonly encountered in laboratories. Results showed that the impact of KIEs strongly depends on the label input and on the variable considered but is significantly lower than expected intuitively from measurements on isolated enzymes. The global robustness of both the metabolic operation and isotopic patterns largely emerge from intrinsic properties of metabolic networks, such as the distribution of control across the network and bidirectional isotope exchange.

Conclusions: These results demonstrate the necessity of investigating the impact of KIEs at the level of the entire system, contradict previous hypotheses that KIEs would have a strong effect on isotopic distributions and on flux determination, and strengthen the biological value of ¹³C-ILEs. The proposed modeling framework is generic and can be used to investigate the impact of all the isotopic tracers (²H, ¹³C, ¹⁵N, ¹⁸O, etc.) on different isotopic datasets and metabolic systems. By allowing the integration of isotopic and metabolomics data collected under stationary and/or non-stationary conditions, it may also assist interpretations of ILEs and facilitate the development of more accurate kinetic models with improved explicative and predictive capabilities.

Keywords: Isotope effect, Isotope labeling experiment, Metabolic flux analysis, Fluxomics, Kinetic model, Isotopic model

Background

Isotopic studies are increasingly used to better understand the organization and the functioning of metabolic systems in systems biology and to assist the design of efficient and robust production strains in biotechnology [1–4]. The basic principle of isotope labeling experiments (ILEs) consists of: *i*) cultivating cells on an isotopically enriched substrate [5], *ii*) collecting metabolites using adequate sampling methods [6–8], and *iii*) quantifying

their isotopic content by mass spectrometry (MS) and/or nuclear magnetic resonance (NMR) [9–12]. Isotopic data are typically exploited to identify metabolic pathways [13] and metabolites [14], to assist the discovery of new metabolite-protein regulatory interactions [15], to profile metabolic variants [16, 17], and to quantify metabolite and flux responses to environmental and genetic perturbations [18, 19].

The biological insights obtained from ILEs are valid provided isotopes do not modify the operation of the metabolic network investigated and no isotopic fractionation occurs in the network. However, many enzymes are subject to kinetic isotope effects (KIEs) that modify reaction rates depending on the isotopic composition of

* Correspondence: pierre.millard@insa-toulouse.fr

¹MCI5B, Manchester Institute of Biotechnology, University of Manchester, Manchester, UK

²School of Computer Science, University of Manchester, Manchester, UK
Full list of author information is available at the end of the article

their substrate(s) [20]. For instance, it is well established that Rubisco, the carbon fixing enzyme of the Calvin cycle, assimilates preferentially $^{12}\text{CO}_2$ over $^{13}\text{CO}_2$ [21]. Therefore, KIEs modify the propagation of isotopes through the network and the isotopic data collected in ILEs. Since KIEs modify reaction rates, one can intuitively expect they also impact the operation of the metabolic systems investigated (*i.e.* metabolite concentrations and fluxes), and thus isotopic data themselves. However, the metabolic control may be distributed over different steps of a pathway, and in this case the change of rate constant of a particular reaction may not directly translate into a change of flux through the corresponding pathway. This systemic property of control distribution across the network was theoretically developed under the framework of metabolic control analysis [22, 23] and has been repeatedly observed *in vivo* [24–27]. Changes of reaction rates may also propagate through the network and affect the metabolic operation and the distribution of isotopes in other parts of the network. Hence, KIEs may exert considerable effects over all variables of the system (metabolite concentrations, fluxes, and distribution of isotopes), and thus potentially jeopardize the biological value of ILEs. However, these effects are usually assumed to be negligible.

The first attempt to assess the impact of KIEs on the distribution of isotopes in intracellular metabolites was published recently, in the context of ^{13}C -ILEs [28]. They concluded that in some situations the impact of KIEs of pyruvate dehydrogenase on the labeling of acetyl-CoA may be of comparable size to the measurement errors in GC-MS, hence introducing a significant bias in the estimated fluxes. In another study, Fan *et al.* [19] carried out ^2H -ILEs to quantify the contribution of the pentose phosphate pathway to NADPH production in *Escherichia coli*. They corrected isotopic measurements for the strong isotopic fractionation related to ^2H , assuming they have no impact on fluxes. Although highly informative, these studies were carried out at the level of a single metabolic node. Thus, they fail to account for the system-wide effect that these KIEs have over all metabolite concentrations, fluxes and isotopic distributions.

In this study, we first developed a modeling framework which combines isotopic and kinetic models, while taking the system-wide KIEs into account. This framework is based on the fluxomer concept [29], which represents the rates at which metabolic reactions transform each substrate(s) isotopomers. This allows for a straightforward integration of KIEs, which are measured for a particular (subset of) substrate(s) isotopomer(s). This generic framework was applied to investigate the impact of KIEs on the glycolytic and pentose phosphate pathways of the model bacterium *E. coli*, in the context of the most widely used ^{13}C -ILEs. The impact of KIEs on metabolite

concentrations, fluxes and isotopic distributions was quantified under a broad range of situations commonly encountered in laboratories (in terms of label input, metabolic state, and isotopic information considered).

Methods

Model construction

The kinetic model published by [30] was used as a scaffold to develop the isotopic system, as detailed in the results section, with carbon atom transitions taken from [6]. Since reversibility results in bidirectional isotope exchange [31], forward and backward rates of reversible reactions were considered separately by decomposing the rate laws into forward and backward components. For instance, in the case of the phosphoglycerate mutase (GPM) described by a reversible Michaelis-Menten-type rate law:

$$v_{gpm}^{net} = V_{max} \frac{PG3 - \frac{PG2}{K_{eq}}}{K_m^{PG3} \cdot \left(1 + \frac{PG2}{K_m^{PG2}}\right) + PG3} \quad (1)$$

the forward (v^{forw}) and backward (v^{back}) rates are equal to:

$$v_{gpm}^{forw} = V_{max} \frac{PG3}{K_m^{PG3} \cdot \left(1 + \frac{PG2}{K_m^{PG2}}\right) + PG3} \quad (2)$$

$$v_{gpm}^{back} = V_{max} \frac{\frac{PG2}{K_{eq}}}{K_m^{PG3} \cdot \left(1 + \frac{PG2}{K_m^{PG2}}\right) + PG3} \quad (3)$$

The model thus contains 58 fluxes (32 irreversible and 13 reversible reactions) decomposed into 7376 fluxomers. This model describes the dynamics of 616 isotopomers (and 94 isotopologues) from 17 metabolites.

Five reactions included in the model are catalyzed by enzymes for which KIEs were identified (Table 1). However, KIEs were measured only for singly labeled isotopomers. KIEs related to multiply labeled isotopomers were approximated assuming effects are cumulative [28]. Multiply labeled isotopomers are therefore more strongly impacted by KIEs than singly labeled isotopomers.

Simulations

The system of ordinary differential equations was automatically generated in FORTRAN, and steady-states were calculated using the LSODE solver implemented in the *runsteady* function of the *rootSolve* package (v1.6.5) of R (v3.0, www.r-project.org). Absolute and relative error tolerances were set to 10^{-8} and 10^{-6} , respectively. All the scripts used to construct the models, perform the simulations and generate the figures are distributed in supplementary information (Additional file 1) under

Table 1 Kinetic isotope effects measured on five central metabolic enzymes. For multiply labeled isotopomers, α coefficients were approximated from KIEs of singly labeled isotopomers assuming KIEs are cumulative [28]; for instance, $\alpha_{PDH}^{PYR,110} = \alpha_{PDH}^{PYR,100} \cdot \alpha_{PDH}^{PYR,010}$

Enzyme	Reaction	Substrate	Isotopomer	α	Ref.
6-phosphogluconate dehydrogenase	GND	PGN	100000	0.9905	[48]
glucose-6-phosphate dehydrogenase	G6PDH	G6P	100000	0.9837	[49]
fructose-1,6-bisphosphate aldolase	ALD	FBP	001000	0.9843	[50]
ribulose-5-phosphate epimerase	RPE	RB5P	01000	0.9931	[51]
			00100	0.9818	
			00010	0.9852	
			00001	0.9980	
pyruvate dehydrogenase	PDH	PYR	100	0.9908	[52]
			010	0.9791	
			001	0.9969	

an open source license to ensure reproducibility and reusability.

Global sensitivity analysis

A global sensitivity analysis was carried out to evaluate the robustness of our conclusions under a broad range of metabolic states. To this end, steady-states were simulated for 10,000 sets of random enzyme levels generated using the *runif* function of R. For each set, maximum reaction rates (V_{max} , which is proportional to the level of active enzyme) were sampled over two orders of magnitude (between 0.1 and 10 times the enzyme levels of the initial model) from a log uniform distribution to ensure each order of magnitude to be sampled in similar proportions.

Results and discussion

Modeling isotopic fractionation

A simple network is given in Fig. 1a as an example, with the corresponding carbon atom transitions shown in Fig. 1b. The labeling state of a metabolite containing n carbon atoms is denoted by the coefficients (a, b, \dots, n) , which take a value of 0 if the atom in the corresponding carbon position is ^{12}C or a value of 1 if the atom is ^{13}C . For instance, $B_{0,1,1}$ represents the isotopomer of the metabolite B which is unlabeled in position 1 and labeled in positions 2 and 3. In the absence of KIEs, each isotopomer of a given metabolite reacts with a probability equal to its abundance relative to the total metabolite pool. Each isotopomer $A_{a,b,c}$ is thus produced at the rate v_1 weighted by $\bar{S}_{a,b,c}$, which denotes the concentration of the isotopomer $S_{a,b,c}$ relative to the total S pool ($\sum_{a,b,c} S_{a,b,c}$).

Similarly, $A_{a,b,c}$ is consumed at the rate v_2 weighted by $\bar{A}_{a,b,c}$, which denotes the concentration of the isotopomer $A_{a,b,c}$ relative to the total A pool. Therefore, the balance around the isotopomer $A_{a,b,c}$ is:

$$\frac{dA_{a,b,c}}{dt} = v_1 \cdot \bar{S}_{a,b,c} - v_2 \cdot \bar{A}_{a,b,c} \quad (4)$$

where v_1 and v_2 are functions of the concentrations of reactants and effectors, and of the kinetic parameters of the enzymes catalyzing these reactions. This equation can be rewritten using the fluxomer variable introduced by [29]. A fluxomer is the rate at which a metabolic reaction transforms one or several substrate(s) isotopomers into product(s) isotopomers. Fluxomers are usually expressed as rate fractions [28, 29], which allows a direct mapping between fluxomers and isotopomer abundances. However, this is not relevant to calculate isotopomers derivatives. Therefore, fluxomers were expressed as absolute rates rather than rate fractions. In the absence of KIEs, the fluxomer $f_1^{a,b,c}$ which consumes $S_{a,b,c}$ is defined by:

$$f_1^{S_{a,b,c}} = v_1 \cdot \bar{S}_{a,b,c} \quad (5)$$

and the mass balance around $A_{a,b,c}$ can be rewritten as:

$$\frac{dA_{a,b,c}}{dt} = f_1^{S_{a,b,c}} - f_2^{A_{a,b,c}} \quad (6)$$

It must be noted that the term "fluxomer" is somewhat misleading in the context of this study since it does not define a *flux* (which is a term used for the rate when the reaction is part of a whole system) but rather a *local rate* (i.e. the rate when considering the reaction isolated from the rest of the system). Bearing that in mind, we keep this terminology for sake of simplicity, but note the important distinction between these terms.

KIEs affect the rate constant of reactions depending on the isotopic composition of their substrate(s). Consequently, KIEs were included by weighting each fluxomer with a coefficient α which represents the KIE of a given

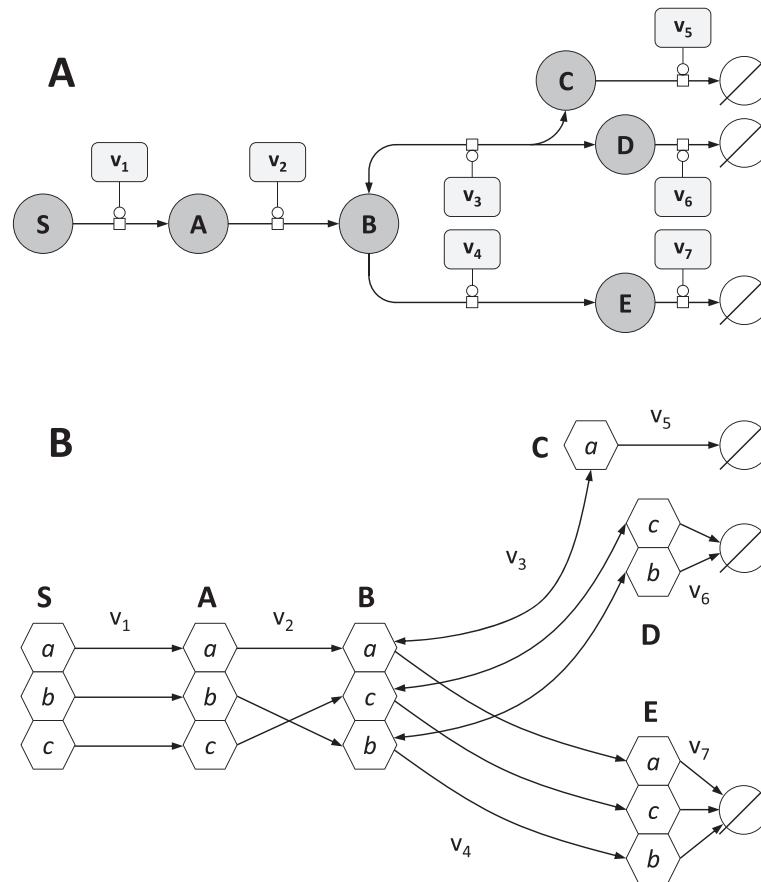


Fig. 1 A simple example network. **a** Representation of the example network in Systems Biology Graphical Notation format (SBGN, www.sbgng.org) [47]. Rounded rectangles represent enzymes, circles represent metabolites, and circles with dark bands along their bottoms represent metabolites which appear multiple times in the map. The concentration and labeling state of S are fixed, and reactions v_{5-7} represent sink reactions. **b** Carbon transition network used to construct the isotopomers balances, where hexagons represent carbon positions. While v_1 and v_4 do not modify the carbon skeleton between substrates and products, other reactions result in carbon inversion (v_2) or in the reversible cleavage of carbon-carbon bonds (v_3)

enzyme with respect to its substrate(s) isotopomers. For instance, each coefficient $\alpha_{v_2}^{A_{a,b,c}}$ is defined as:

$$\alpha_{v_2}^{A_{a,b,c}} = \frac{v_2^{A_{a,b,c}}}{v_2^{A_{0,0,0}}} \quad (7)$$

where $v_2^{A_{a,b,c}}$ ($v_2^{A_{0,0,0}}$) represents the rate of reaction 2 when isotopomer $A_{a,b,c}$ ($A_{0,0,0}$) is its unique substrate. The mass balance around $A_{a,b,c}$ finally becomes:

$$\frac{dA_{a,b,c}}{dt} = \alpha_{v_1}^{S_{a,b,c}} \cdot f_1^{S_{a,b,c}} - \alpha_{v_2}^{A_{a,b,c}} \cdot f_2^{A_{a,b,c}} \quad (8)$$

To calculate the mass balances for the isotopomers of pool B, two additional points must be taken into account. First, it is worth recalling that bidirectional isotope exchange that arise from reversibility significantly impacts the distribution of isotopes through the network

[31]. Forward and backward reaction rates must be considered separately in the case of reversible reactions, like v_3 in the model considered here. Second, in the case of reactions with more than one substrate, the impact of KIEs on reaction rate may depend on the isotopic composition of each substrate. Therefore, one fluxomer must be defined for each combination of substrates isotopomers. Reaction v_3 was first decomposed into its forward (v_3^{forw}) and backward (v_3^{back}) components, each of them being then decomposed into fluxomers:

$$f_{3,forw}^{B_{a,b,c}} = v_3^{forw} \cdot \bar{B}_{a,b,c} \quad (9)$$

$$f_{3,back}^{C_{a,b,c}} = v_3^{back} \cdot \bar{C}_{a,b,c} \quad (10)$$

and the mass balance around $B_{a,b,c}$ is:

$$\frac{dB_{a,c,b}}{dt} = \alpha_{v_2}^{A_{a,b,c}} \cdot f_2^{A_{a,b,c}} + \alpha_{v_3}^{C_a} \cdot \alpha_{v_3}^{D_{c,b}} \cdot f_{3,back}^{C_a,D_{c,b}} - \alpha_{v_3}^{B_{a,c,b}} \cdot f_{3,forw}^{B_{a,c,b}} - \alpha_{v_4}^{B_{a,c,b}} \cdot f_4^{B_{a,c,b}} \quad (11)$$

Using the same formalism, the mass balances around the isotopomers of C, D and E are:

$$\frac{dC_a}{dt} = \sum_{b,c} \left(\alpha_{v_3}^{B_{a,b,c}} \cdot f_{3,forw}^{B_{a,b,c}} \right) - \sum_{b,c} \left(\alpha_{v_3}^{C_a} \cdot \alpha_{v_3}^{D_{b,c}} \cdot f_{3,back}^{C_a,D_{b,c}} \right) - \alpha_{v_5}^{C_a} \cdot f_5^{C_a} \quad (12)$$

$$\frac{dD_{b,c}}{dt} = \sum_a \left(\alpha_{v_3}^{B_{a,b,c}} \cdot f_{3,forw}^{B_{a,b,c}} \right) - \sum_a \left(\alpha_{v_3}^{C_a} \cdot \alpha_{v_3}^{D_{b,c}} \cdot f_{3,back}^{C_a,D_{b,c}} \right) - \alpha_{v_6}^{D_{b,c}} \cdot f_6^{D_{b,c}} \quad (13)$$

$$\frac{dE_{a,b,c}}{dt} = \alpha_{v_4}^{B_{a,b,c}} \cdot f_4^{B_{a,b,c}} - \alpha_{v_7}^{E_{a,b,c}} \cdot f_7^{E_{a,b,c}} \quad (14)$$

The system of ordinary differential equations (ODEs) defined by Eqs. 8, 11, 12, 13, 14 can be transformed into matrix notation by defining a matrix U where rows correspond to isotopomers and columns correspond to fluxomers. This matrix contains the stoichiometric coefficients of each substrate(s) and product(s) isotopomer(s) for each fluxomer f_r^p (where p represents a particular (set of) substrate(s) isotopomer(s) consumed through the reaction r).

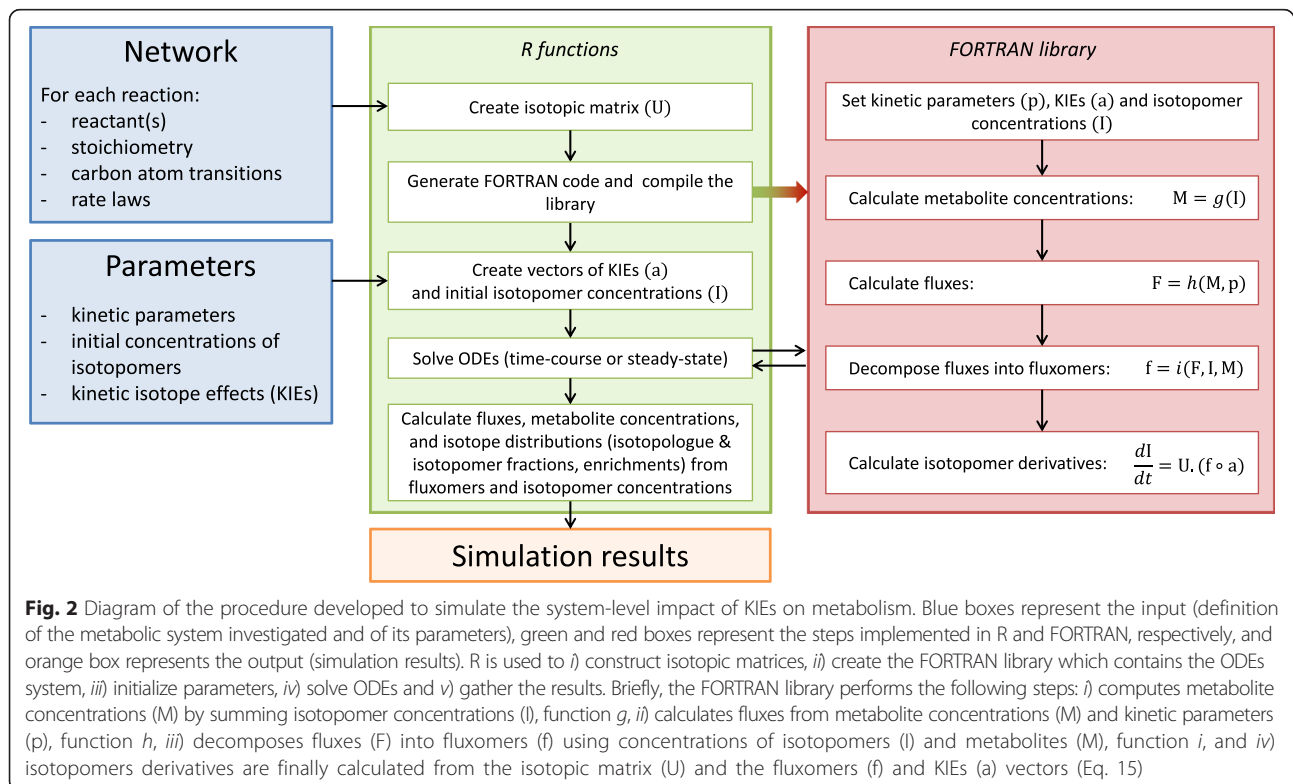
A vector f is then defined that contains all the fluxomers (calculated from the kinetic rate laws of each reaction, the concentrations of reactants and effectors, and the relative abundances of substrate(s) isotopomers), and a vector a that contains the coefficients α_r^p for each fluxomer f_r^p . The isotopomer balances can be calculated by:

$$\frac{dI}{dt} = U \cdot (f(t) \circ a) \quad (15)$$

where I is the vector of isotopomer concentrations and \circ is the element-wise product operator, i.e. $(f(t) \circ a)_x = f_x(t) \cdot a_x$. The dynamics (and steady-states) of all the isotopomers can be simulated by solving this system of ODEs. Finally, fluxes and metabolite concentrations can be calculated by summing fluxomers and isotopomer concentrations, respectively. The numerical procedure and its implementation are summarized in Fig. 2.

Impact of KIEs on the operation of *E. coli* central metabolism in ^{13}C -labeling experiments

We applied this framework to evaluate the impact of KIEs on the operation of the glycolytic and pentose phosphate pathways of the model bacterium *Escherichia coli* grown on ^{13}C -labeled glucose. The kinetic model published by [30] was used as a scaffold to construct the isotopic model, with the carbon transition network taken



from [6] (Fig. 3). KIEs measured on five enzymes were included (glucose-6-phosphate dehydrogenase, G6PDH; 6-phosphogluconate dehydrogenase, GND; ribulose-5-phosphate epimerase, RPE; fructose-1,6-bisphosphate

aldolase, ALD; and pyruvate dehydrogenase, PDH), with the corresponding α_r^p coefficients listed in Table 1. Steady-states were simulated for glucose at natural abundance and six different glucose labelings: U-¹³C-

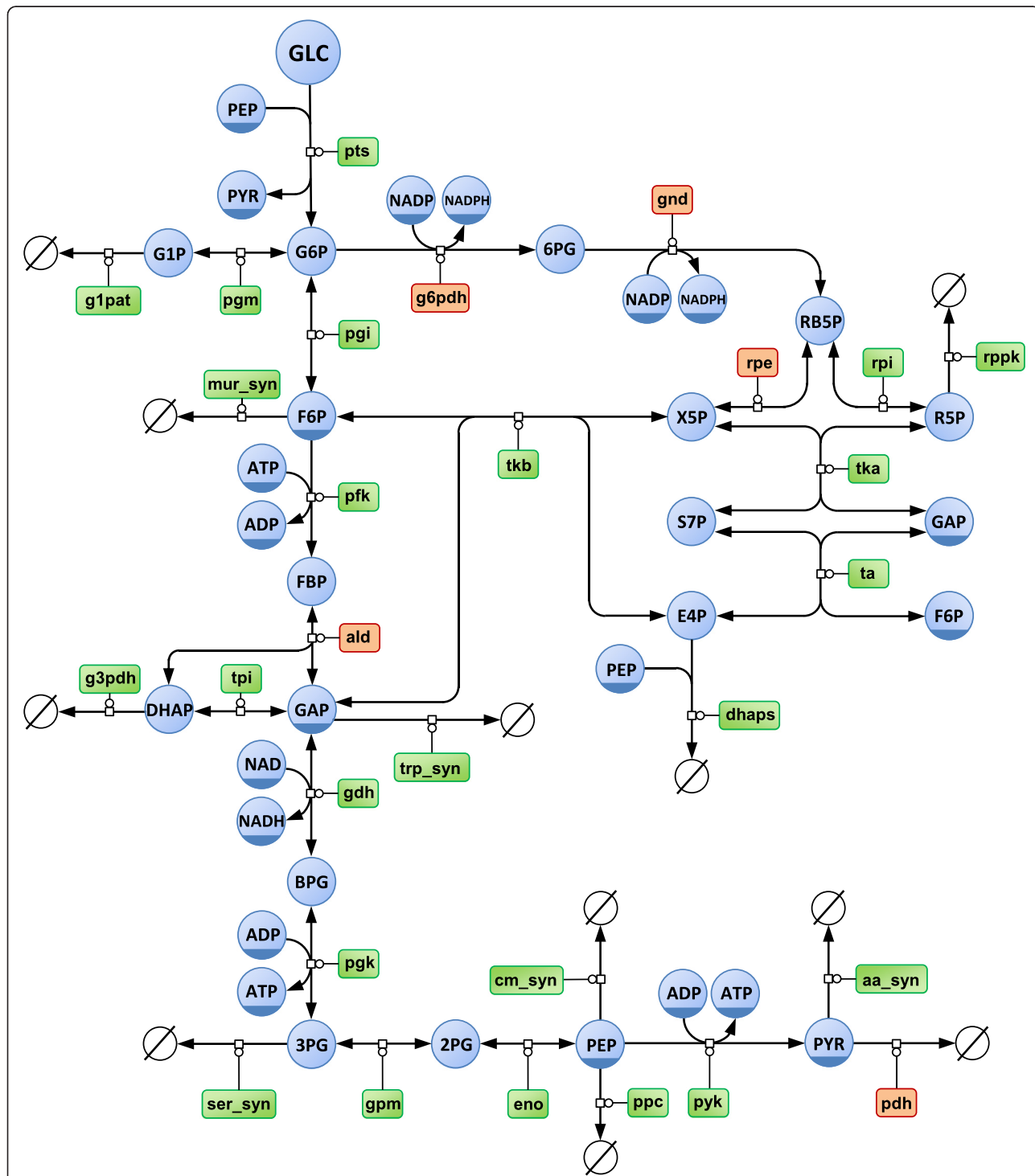


Fig. 3 Central carbon metabolic network of *Escherichia coli*. Representation of the glucose uptake, glycolytic and pentose phosphate pathways of *E. coli* in SBGN format. Circles represent metabolites and rounded rectangles represent enzymes. Enzymes subjected to kinetic isotope effects are highlighted in orange. Note that the 17 reactions of dilution of intracellular pools due to growth are omitted from this diagram for clarity of the layout

glucose, a mixture containing 80 % of 1-¹³C- and 20 % of U-¹³C-glucose, an equimolar mixture of ¹²C- and U-¹³C-glucose, 2,3,4,5,6-¹³C-glucose, 1,2-¹³C-glucose and 3,4-¹³C-glucose. These label inputs are representative of those commonly used in ¹³C-ILEs [6, 32–35].

For the metabolic state represented by the model, the relative changes of fluxes and metabolite concentrations caused by KIEs for each glucose input are shown in Fig. 4a and b, respectively. Impact on these variables is low (<2 %), with maximal changes observed when cells are grown on U-¹³C-glucose. Since in this situation all the metabolites are fully labeled, impact of KIEs on reaction rates is also maximal. For instance, assuming that KIEs are cumulative at the level of a single reaction [28],

the reaction rate of the ribulose-5-phosphate epimerase (RPE) is reduced by 4.14 % when RB5P is fully labeled. However, the predicted change of flux (-1.7 %) is lower than that, which can be explained by the distribution of flux control over several reactions of the network. Moreover, the signs of the changes of fluxes and metabolite concentrations depend on the label input. This indicates that the impact of KIEs on the system cannot be intuitively inferred from their impact at the reaction level, even qualitatively. The impact of KIEs must be investigated at the system-level and not at the level of an isolated reaction or metabolic node.

The predicted changes of metabolite concentrations are significantly lower than the precision commonly

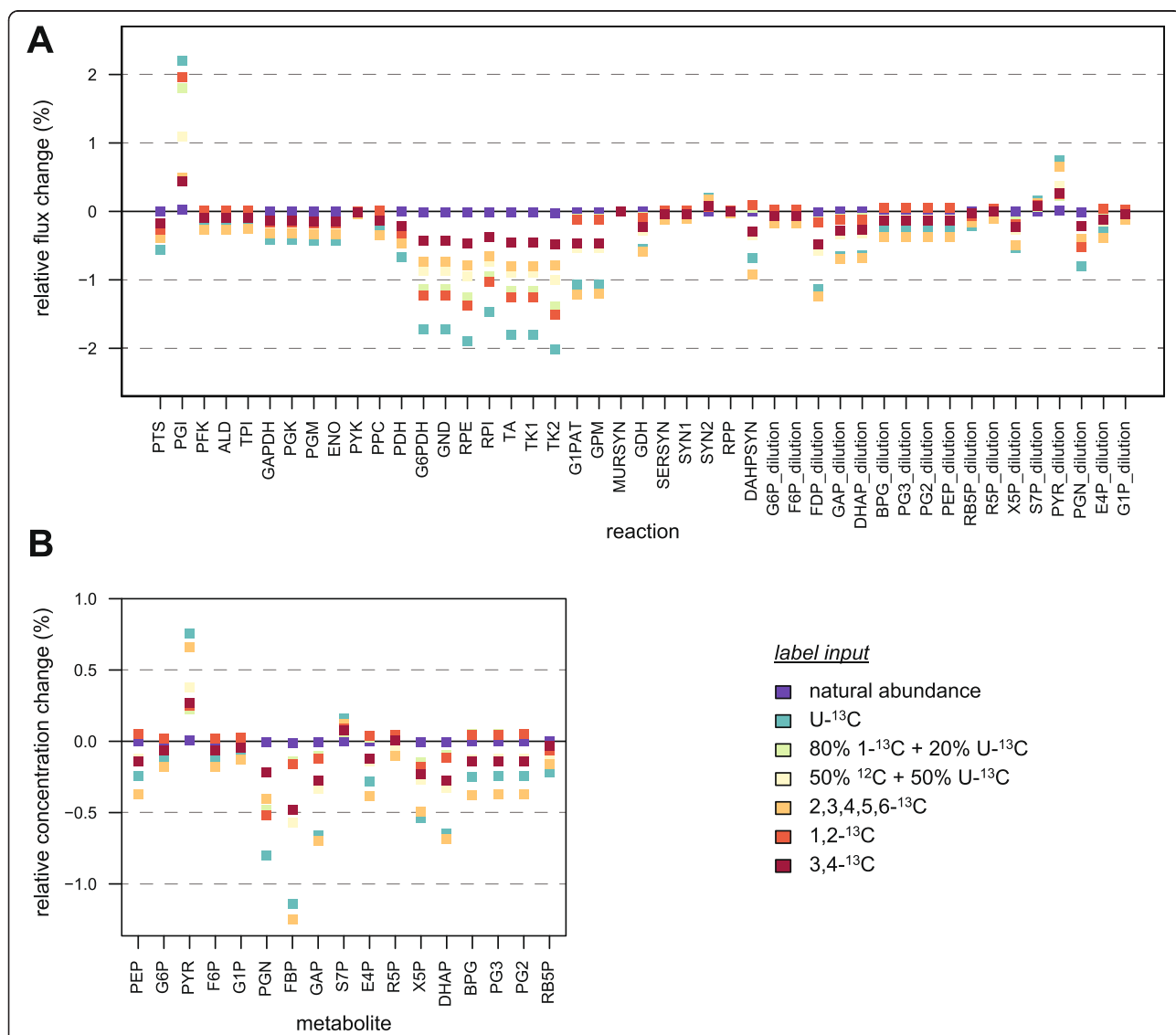


Fig. 4 Impact of KIEs on the operation of *E. coli* central carbon metabolism. The impact of KIEs on the (steady-state) fluxes (a) and metabolite concentrations (b) of *E. coli* central carbon metabolism was simulated for glucose at natural abundance and six label inputs commonly used in ¹³C-labeling experiments. Impact of KIEs was defined as the relative difference between steady-states reached with and without KIEs, i.e. with alpha coefficients set to their experimental values (Table 1) or to 1, respectively

reached in metabolomics (*circa* 10 %) [18, 36], hence they cannot be detected with current methods. The same situation is observed for fluxes, with changes caused by KIEs slightly lower than the flux precision commonly obtained in ^{13}C -metabolic flux analysis (^{13}C -MFA) [5, 6, 12]. However, the predicted flux changes caused by KIEs are one order of magnitude higher than the flux precision estimated using parallel labeling experiments with different label inputs [37]. Therefore, fluxes obtained in high-resolution ^{13}C -MFA studies might be biased, and KIEs should be considered during flux estimation and sensitivity analysis when such high degree of precision can be reached.

Impact of KIEs on isotopic patterns of central metabolites

Isotopic data collected in ^{13}C -ILEs can be exploited quantitatively to infer information on the structure and the operation of metabolic systems. Since KIEs may impact isotopic data and ultimately jeopardize the validity of the biological interpretations, their impact must be assessed rigorously. This was performed for the various isotopic data that can be acquired with modern analytical platforms: isotopomer distributions [11, 38, 39], isotopologue distributions [7, 40] and molecular enrichments [40, 41]. The corresponding (steady-state) isotopic datasets were simulated in the absence or presence of KIEs, for three different label inputs: glucose at natural abundance, a mixture containing 80 % of $1\text{-}^{13}\text{C}$ -glucose and 20 % of $\text{U-}^{13}\text{C}$ -glucose, and an equimolar mixture of ^{12}C - and $\text{U-}^{13}\text{C}$ -glucose. The distributions of errors caused by KIEs are shown in Fig. 5 for each isotopic dataset and label input.

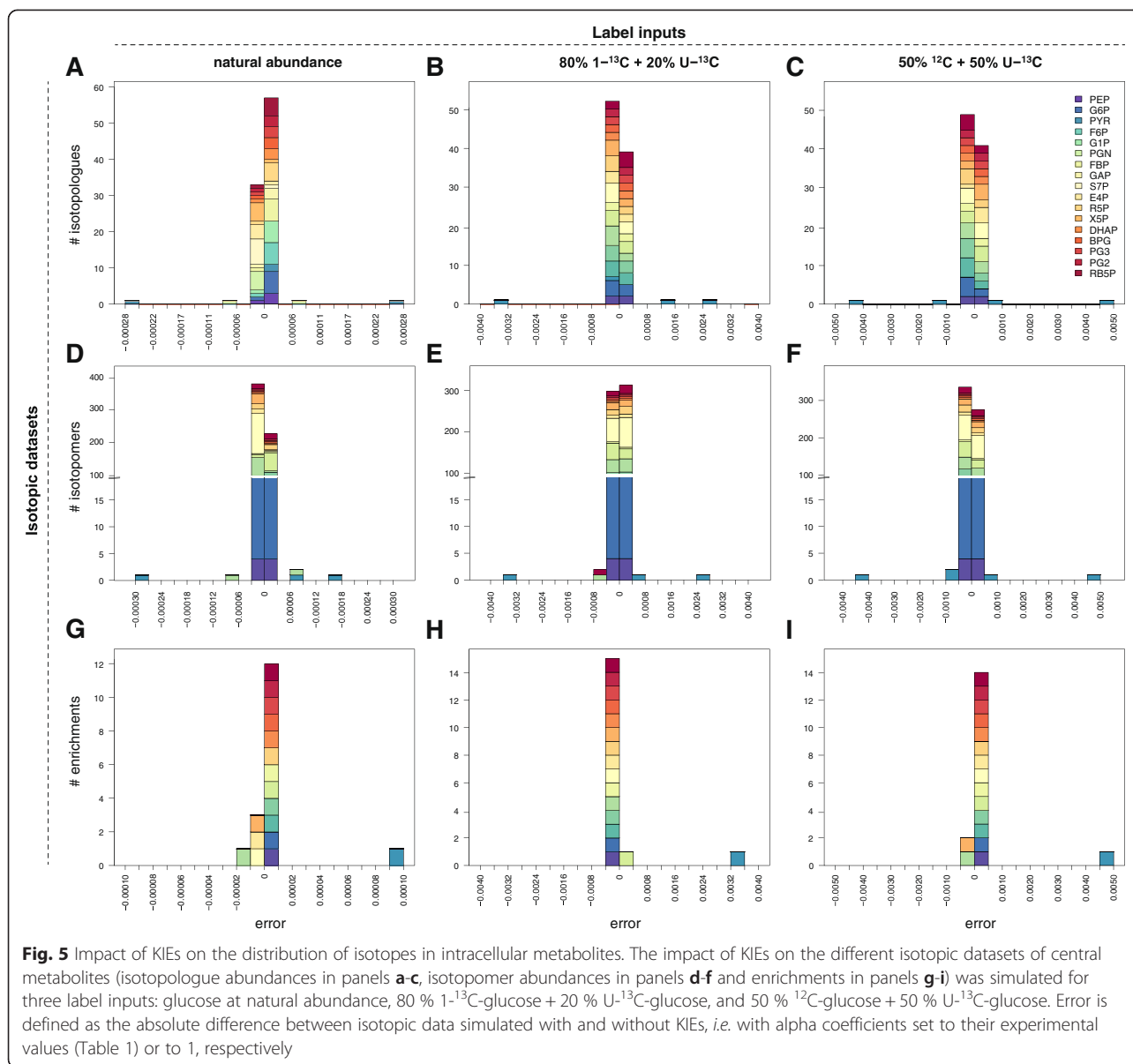
The sensitivity of isotopic data to KIEs strongly depends on the isotopic information considered and on the label input. As a general trend, the impact of KIEs is maximal for the equimolar mixture of ^{12}C - and $\text{U-}^{13}\text{C}$ -glucose, and minimal for glucose at natural abundance. The predicted errors caused by KIEs are surprisingly low – below 0.001 – for virtually all metabolites and isotopic data. The only exception is pyruvate, with predicted errors up to 0.0045 for its isotopologues, 0.0047 for its isotopomers, and 0.0045 for its molecular enrichment. These errors originate exclusively from KIEs of pyruvate dehydrogenase (PDH). Here again, the system-level impact of KIEs on the isotopic distributions strongly differs from the impact that can be expected for isolated reactions. Moreover, impacts of individual KIEs do not add up at the system level, contrary to what was previously hypothesized [28].

This example illustrates how the framework developed here can be used to evaluate the sensitivity of each isotopic data to KIEs. The less reliable measurements with respect to KIEs can be identified and discarded from the datasets exploited in quantitative approaches such as ^{13}C -MFA. In the situations investigated here, the biases caused by KIEs on the distribution of isotopes into the glycolytic and pentose phosphate pathway metabolic intermediates

are significantly lower than the precision and accuracy obtained by MS (or even MS/MS) [40, 42] and NMR [10], which is around 1 %, and cannot be detected. Many other central metabolic enzymes are likely subject to KIEs, which may significantly increase their predicted impact on isotopic patterns. However, the present results support the assumption that KIEs can be neglected when studies focus on the glycolytic and pentose phosphate pathways and are based on isotopic information obtained from metabolic intermediates.

Isotopic data are robust to KIEs under a broad range of metabolic states

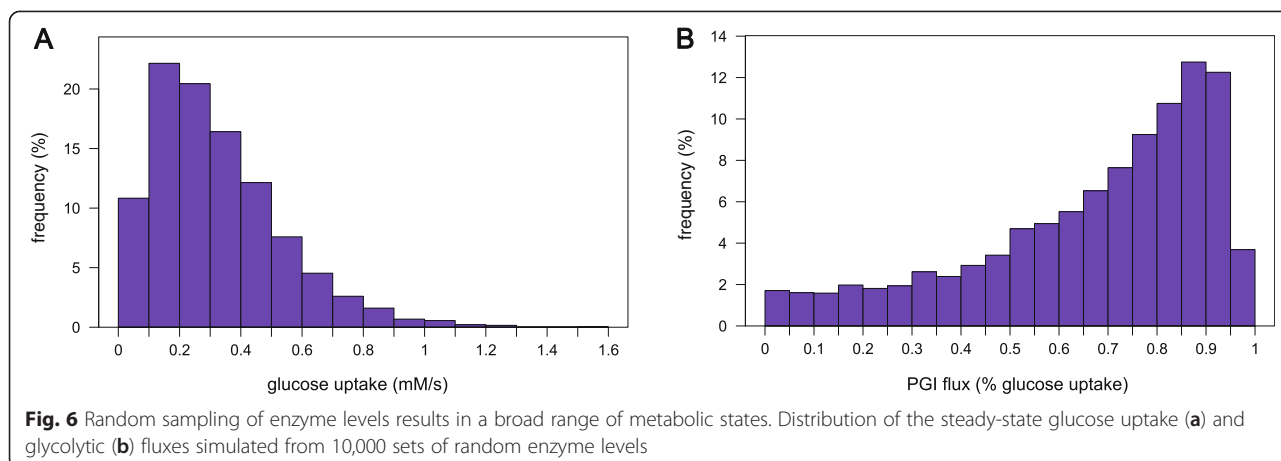
The above results indicate that isotopic data are robust to KIEs locally, *i.e.* near the given metabolic state investigated. However, metabolic systems are highly non-linear and the impact of KIEs might strongly differ depending on the metabolic state considered [28]. To grasp the global impact of KIEs on isotopic distributions, we first generated 10,000 sets of random enzyme levels for which we calculated the steady-states of the system with 80 % $1\text{-}^{13}\text{C}$ - glucose + 20 % $\text{U-}^{13}\text{C}$ -glucose as label input. Although it is clear that these sets are not representative of those expressed *in vivo*, they are expected to result in different metabolic states. This was confirmed by analyzing the distribution of some systemic steady-state variables, *e.g.* the glucose uptake flux varied between 0.02 and 1.6 mmol/g_{DW}/s, and the carbon channeled into glycolysis varied between 0 and 98 % of the glucose uptake flux (Fig. 6). For each metabolic state, errors caused by KIEs on the three isotopic datasets were calculated and are summarized in Fig. 7. Errors remain very low for the vast majority of isotopic data, with 99.7 % of absolute isotopomer errors below 0.002, 99.0 % of absolute isotopologue errors below 0.003, and 97 % of enrichment errors below 0.003. Here again errors strongly depend on the metabolite considered. For all isotopic datasets, the highest errors are related to pyruvate, consistently with the above results. Still, errors for this metabolite are minor in most cases (<0.003 for 89 % of its isotopomers and 77 % of its isotopologues). A more detailed analysis revealed that only the proportions of the unlabeled and fully labeled pyruvate isotopomers (and isotopologues) are significantly impacted by KIEs (Fig. 8), errors regarding other isotopomers (and isotopologues) remain very low (<0.002) under all the metabolic states. Errors related to other metabolites are minor (<0.003) for all the datasets, for instance the highest absolute error for glyceraldehyde-3-phosphate (GAP) isotopologues is 0.002. These results highlight a global robustness of the isotopic data measured on glycolytic and pentose phosphate pathway intermediates, and soften the conclusions of [28].



Reversibility is a key determinant of the robustness of isotopic patterns

In a linear pathway with an irreversible step (*i.e.* not subject to feedback inhibition by its product(s)), reactions downstream the irreversible step do not exert any flux control [43]. Reversibility therefore participates in the robustness of the metabolic operation to KIEs by contributing to the distribution of (flux and concentration) control via feedback regulation. In ILEs, another consequence of reversibility is the bidirectional exchange of isotopes that occurs between substrates and products of reversible reactions. To test if this exchange also plays a role in the robustness of isotope distribution to KIEs, a model of the same network was generated without explicitly considering isotope exchange in the isotopomer

balances, *i.e.* without decoupling forward and backward reaction rates when constructing the equation system. It is important to mention that all the systemic properties that emerge from metabolic regulation (in particular the distributed control) are identical in both models since the rate laws remain unchanged. With the two models, the impact of KIEs on isotopologue abundances was simulated with and without isotope exchange (Fig. 9). Errors caused by KIEs were significantly higher for all metabolites when exchange was not explicitly considered, with a 10-fold increase of the mean of absolute errors (0.0014 vs 0.00015). Moreover, errors increased for all metabolites. For instance, while errors on fructose-6-phosphate (F6P) and dihydroxyacetone phosphate (DHAP) isotopologues are negligible with exchange (<0.0002 for



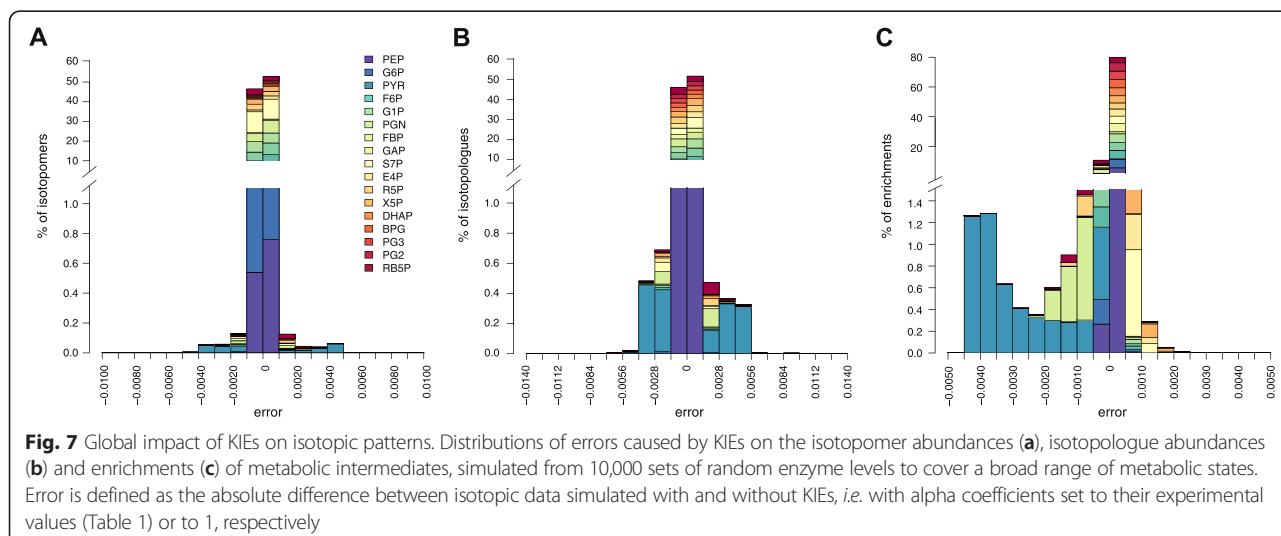
both metabolites), they increase up to 0.006 for F6P and 0.008 for DHAP without exchange. Hence, reversibility appears as a key determinant of the robustness of isotopic data to KIEs, both by contributing to the distribution of control across the network and by enabling bidirectional exchange of isotopes between metabolites.

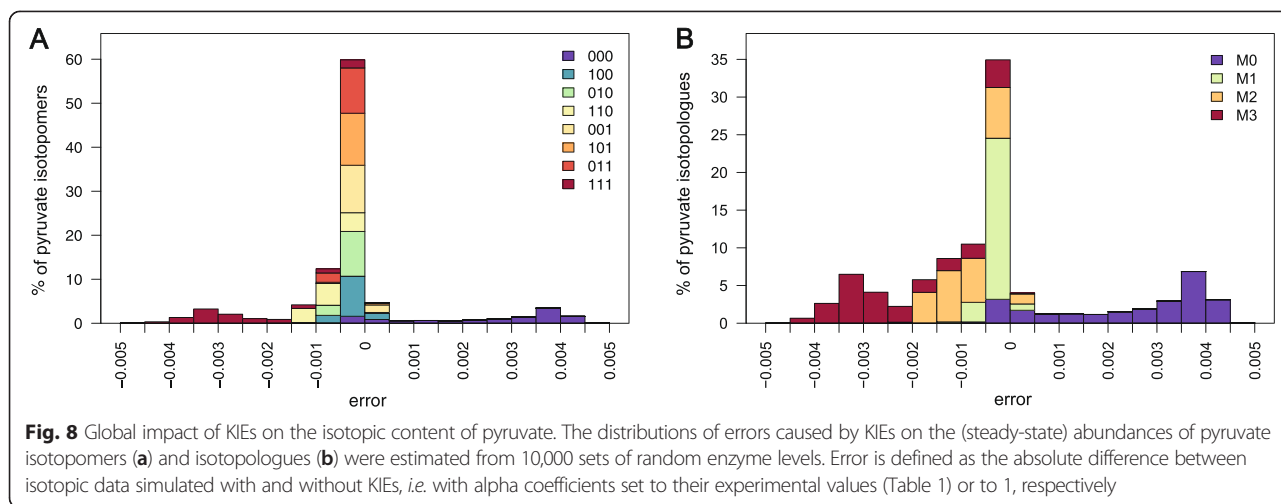
This is consistent with the ¹³C-depletion observed in amino acids [44] since they are produced by less reversible biosynthetic pathways and are therefore expected to be more sensitive to KIEs. Conversely, no major isotopic fractionation was detected on central metabolites in a recent study aiming to produce standard samples that contain metabolites with controlled and predictable isotopic contents [40]. Our simulations support these conclusions and strengthen the reliability of the proposed strategy. These results stress the necessity to take into account reversibility, or at least to evaluate the potential consequences of neglecting this important property of metabolic systems, when integrating isotopic data into quantitative models.

Conclusion

In this work we introduce a framework that allows comprehensive and rigorous investigations on the impact of KIEs in isotopic studies of metabolism. This framework integrates KIEs into kinetic and isotopic models of metabolism, thereby accounting for their effects on metabolite concentrations, isotopic patterns, and metabolic fluxes on a system-wide basis.

As a case study, this framework was applied to assess the impact of KIEs on *i*) the operation of the central metabolic network of *Escherichia coli* and *ii*) the distribution of isotopes into metabolic intermediates, in the context of ¹³C-ILEs under metabolic steady state conditions. Simulations showed that the impact of KIEs is lower than expected from measurements obtained on isolated enzymes. Robustness of the metabolic operation – and thus also of the distribution of isotopes – to KIEs partly originates from the distribution of concentration and flux control over several steps of the network. Bidirectional isotope exchange due to reversibility is also a major



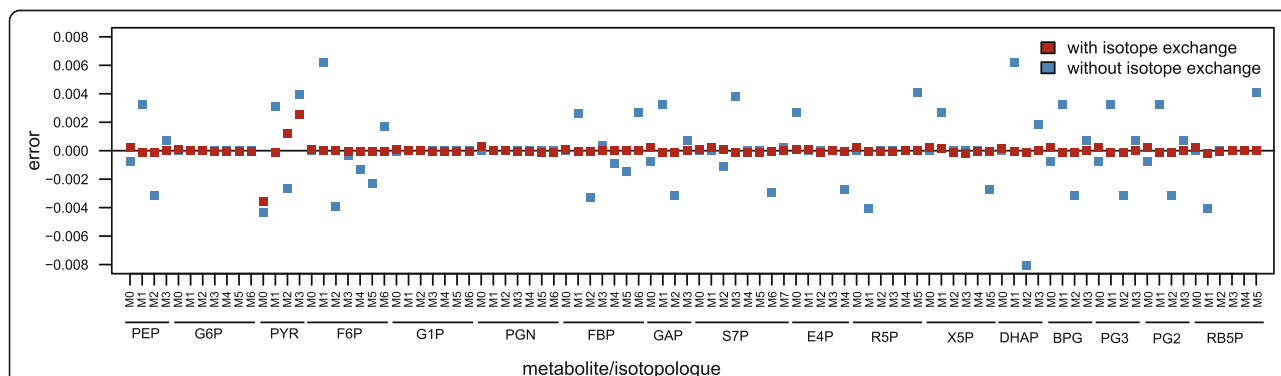


determinant of the robustness of the isotopic patterns. This robustness was observed for virtually all the metabolic intermediates, for all the label inputs tested, and under a broad range of metabolic states. It is therefore unlikely that KIEs jeopardize the biological insights obtained in ¹³C-ILEs, at least for the metabolic network investigated here. The low impact of KIEs on central metabolic intermediates also confirms the interest of quantifying the labeling directly in these intermediates rather than in metabolic end products (such as proteinogenic amino acids). It is important to note that the impact of KIEs may be significant in other situations (in terms of isotopic tracers, metabolic pathways or analytical platforms) and should be evaluated in the specific context of each study.

These findings soften the suggestions of previous studies that ¹³C- KIEs would have a strong effect on isotopic distributions [28] and stresses the necessity of considering reversibility in isotopic studies. It now appears evident that the impact of KIEs on metabolic systems must be investigated at the system level. Unfortunately, KIEs

are still unknown for many enzymes, and in most cases they are measured only for some isotopomers. It seems therefore important to dedicate more efforts to *in vitro* characterization of KIEs. Future knowledge can be readily integrated into the model developed here to obtain a more accurate picture of their impact on the system.

The proposed modeling framework is generic and is applicable for other metabolic systems, for different isotopic tracers (e.g. ²H, ¹⁸O or ¹⁵N), or for other systemic variables. It may therefore facilitate accurate interpretation of isotopic data collected in ILEs and increase the reliability of the biological insights inferred from these data. We are also considering the application of this framework to better exploit the rich isotopic information collected in ILEs. In particular, it may allow a more accurate estimation of *in vivo* kinetic parameters of enzymes by integrating isotopic and metabolomic measurements obtained under metabolic and/or isotopic non-stationary states [45]. This is expected to improve the predictive and explicative capabilities of kinetic models, and thereby their



applicability for *in silico* design of industrially competitive cell factories [46].

Availability of supporting data

The data sets supporting the results of this article are included within the article and its additional files.

Additional file

Additional file 1: R scripts used to construct the models, perform the simulations and generate the figures. (TAR 137 kb)

Abbreviations

¹³C-MFA: ¹³C-metabolic flux analysis; ALD: Fructose-1,6-bisphosphate aldolase; DHAP: Dihydroxyacetone phosphate; F6P: Fructose-6-phosphate; G6PDH: Glucose-6-phosphate dehydrogenase; GAP: Glyceraldehyde-3-phosphate; GND: 6-phosphogluconate dehydrogenase; ILE: Isotope labeling experiment; KIE: Kinetic isotope effect; MS: Mass spectrometry; NMR: Nuclear magnetic resonance; ODEs: Ordinary differential equations; PDH: Pyruvate dehydrogenase; RPE: Ribulose-5-phosphate epimerase.

Competing interests

The authors declare that they have no competing interests.

Authors' contributions

PMi conceived and designed the study, developed and implemented the mathematical framework, and performed the simulations. All authors contributed to the analysis and interpretation of data. PMi wrote the initial version of the manuscript. All authors contributed to writing and have read and approved the manuscript.

Authors' information

Not applicable.

Acknowledgments

We thank MetaToul (Metabolomics & Fluxomics facilities, Toulouse, France, www.metatoul.fr), which is part of the national infrastructure MetaboHUB-ANR-11-INBS-0010 (The French National Infrastructure for Metabolomics and Fluxomics, www.metabohub.fr), for providing us with free access to its computational resources. We thank Matthieu Guionnet for technical assistance and Serguei Sokol for insightful comments on the manuscript. PMi received the support of the INRA (Program CJS) and of the EU in the framework of the Marie-Curie FP7 COFUND People Program, through the award of an AgreenSkills' fellowship (under grant agreement n° 267196). PMe was supported by grants from the EU FP7 (KBBE grant 289434 – BioPreDyn), the UK's BBSRC (BB/K019783/1, BB/J019259/1), and the NIH-NIGMS (GM080219). The funders had no role in study design, data analysis, decision to publish, or preparation of the manuscript.

Author details

¹MCISB, Manchester Institute of Biotechnology, University of Manchester, Manchester, UK. ²School of Computer Science, University of Manchester, Manchester, UK. ³Université de Toulouse; INSA, UPS, INP; LISBP, Toulouse, France. ⁴INRA, UMR792, Ingénierie des Systèmes Biologiques et des Procédés, Toulouse, France. ⁵CNRS, UMR5504, Toulouse, France. ⁶Center for Quantitative Medicine and Department of Cell Biology, UConn Health, Farmington, Connecticut, USA.

Received: 10 April 2015 Accepted: 19 September 2015

Published online: 26 September 2015

References

- Feng X, Page L, Rubens J, Chircus L, Colletti P, Pakrasi HB, et al. Bridging the gap between fluxomics and industrial biotechnology. *J Biomed Biotechnol.* 2010;2010:460717. doi:10.1155/2010/460717.
- You L, Zhang B, Tang YJ. Application of stable isotope-assisted metabolomics for cell metabolism studies. *Metabolites.* 2014;4(2):142–65. doi:10.3390/metabo4020142.
- Klein S, Heinze E. Isotope labeling experiments in metabolomics and fluxomics. *Wiley Interdiscip Rev Syst Biol Med.* 2012;4(3):261–72. doi:10.1002/wsbm.1167.
- Chokkathukalam A, Kim DH, Barrett MP, Breitling R, Creek DJ. Stable isotope-labeling studies in metabolomics: new insights into structure and dynamics of metabolic networks. *Bioanalysis.* 2014;6(4):511–24. doi:10.4155/bio.13.348.
- Millard P, Sokol S, Letisse F, Portais JC. IsoDesign: A software for optimizing the design of ¹³C-metabolic flux analysis experiments. *Biotechnol Bioeng.* 2014;111(1):202–8. doi:10.1002/bit.24997.
- Millard P, Massou S, Wittmann C, Portais JC, Letisse F. Sampling of intracellular metabolites for stationary and non-stationary ¹³C metabolic flux analysis in *Escherichia coli*. *Anal Biochem.* 2014;465C:38–49. doi:10.1016/j.ab.2014.07.026.
- Wittmann C. Fluxome analysis using GC-MS. *Microb Cell Fact.* 2007;6:6. doi:10.1186/1475-2859-6-6.
- Bolten CJ, Kiefer P, Letisse F, Portais JC, Wittmann C. Sampling for metabolome analysis of microorganisms. *Anal Chem.* 2007;79(10):3843–9. doi:10.1021/ac0623888.
- Kiefer P, Nicolas C, Letisse F, Portais JC. Determination of carbon labeling distribution of intracellular metabolites from single fragment ions by ion chromatography tandem mass spectrometry. *Anal Biochem.* 2007;360(2):182–8. doi:10.1016/j.ab.2006.06.032.
- Giraudeau P, Massou S, Robin Y, Cahoreau E, Portais JC, Akoka S. Ultrafast quantitative 2D NMR: an efficient tool for the measurement of specific isotopic enrichments in complex biological mixtures. *Anal Chem.* 2011;83(8):3112–9. doi:10.1021/ac200007p.
- Massou S, Nicolas C, Letisse F, Portais JC. NMR-based fluxomics: quantitative 2D NMR methods for isotopomers analysis. *Phytochemistry.* 2007;68(16–18):2330–40. doi:10.1016/j.phytochem.2007.03.011.
- Ruhl M, Rupp B, Noh K, Wiechert W, Sauer U, Zamboni N. Collisional fragmentation of central carbon metabolites in LC-MS/MS increases precision of ¹³C metabolic flux analysis. *Biotechnol Bioeng.* 2012;109(3):763–71. doi:10.1002/bit.24344.
- Peyraud R, Kiefer P, Christen P, Massou S, Portais JC, Vorholt JA. Demonstration of the ethylmalonyl-CoA pathway by using ¹³C metabolomics. *Proc Natl Acad Sci U S A.* 2009;106(12):4846–51. doi:10.1073/pnas.0810932106.
- Huang X, Chen YJ, Cho K, Nikolskiy I, Crawford PA, Patti GJ. X¹³CMS: global tracking of isotopic labels in untargeted metabolomics. *Anal Chem.* 2014;86(3):1632–9. doi:10.1021/ac403384n.
- Link H, Kochanowski K, Sauer U. Systematic identification of allosteric protein-metabolite interactions that control enzyme activity *in vivo*. *Nat Biotechnol.* 2013;31(4):357–61. doi:10.1038/nbt.2489.
- Heux S, Poinot J, Massou S, Sokol S, Portais JC. A novel platform for automated high-throughput fluxome profiling of metabolic variants. *Metab Eng.* 2014;25:8–19. doi:10.1016/j.ymben.2014.06.001.
- Fischer E, Sauer U. Metabolic flux profiling of *Escherichia coli* mutants in central carbon metabolism using GC-MS. *Eur J Biochem.* 2003;270(5):880–91. doi:10.1046/j.1432-1033.2003.03448.x.
- Revelles O, Millard P, Nougayrede JP, Dobrindt U, Oswald E, Letisse F, et al. The Carbon storage regulator (Csr) system exerts a nutrient-specific control over central metabolism in *Escherichia coli* strain Nissle 1917. *PLoS One.* 2013;8(6):e66386. doi:10.1371/journal.pone.0066386.
- Fan J, Ye J, Kamphorst JJ, Shlomi T, Thompson CB, Rabinowitz JD. Quantitative flux analysis reveals folate-dependent NADPH production. *Nature.* 2014;510(7504):298–302. doi:10.1038/nature13236.
- Cleland WW. The use of isotope effects to determine enzyme mechanisms. *Arch Biochem Biophys.* 2005;433(1):2–12. doi:10.1016/j.abb.2004.08.027.
- Guy RD, Fogel ML, Berry JA. Photosynthetic fractionation of the stable isotopes of oxygen and carbon. *Plant Physiol.* 1993;101(1):37–47.
- Kacser H, Burns JA. The control of flux. *Symp Soc Exp Biol.* 1973;27:65–104.
- Heinrich R, Rapoport TA. A linear steady-state treatment of enzymatic chains. General properties, control and effector strength. *Eur J Biochem.* 1974;42(1):89–95.
- Schaaff I, Heinisch J, Zimmermann FK. Overproduction of glycolytic enzymes in yeast. *Yeast.* 1989;5(4):285–90. doi:10.1002/yea.320050408.
- Ruyter GJ, Postma PW, van Dam K. Control of glucose metabolism by enzyme II_{Glc} of the phosphoenolpyruvate-dependent phosphotransferase system in *Escherichia coli*. *J Bacteriol.* 1991;173(19):6184–91.
- Fell DA, Thomas S. Physiological control of metabolic flux: the requirement for multisite modulation. *Biochem J.* 1995;311(1):35–9.
- Niederberger P, Prasad R, Miozzari G, Kacser H. A strategy for increasing an *in vivo* flux by genetic manipulations. The tryptophan system of yeast. *Biochem J.* 1992;287(Pt 2):473–9.

28. Wasylenko TM, Stephanopoulos G. Kinetic isotope effects significantly influence intracellular metabolite ^{13}C labeling patterns and flux determination. *Biotechnol J*. 2013;8(9):1080–9. doi:10.1002/biot.201200276.
29. Srour O, Young JD, Eldar YC. Fluxomers: a new approach for ^{13}C metabolic flux analysis. *BMC Syst Biol*. 2011;5(1):129. doi:10.1186/1752-0509-5-129.
30. Chassagnole C, Noisommit-Rizzi N, Schmid JW, Mauch K, Reuss M. Dynamic modeling of the central carbon metabolism of *Escherichia coli*. *Biotechnol Bioeng*. 2002;79(1):53–73.
31. Wiechert W, Mollney M, Petersen S, de Graaf AA. A universal framework for ^{13}C metabolic flux analysis. *Metab Eng*. 2001;3(3):265–83. doi:10.1006/mben.2001.0188.
32. van Rijsewijk BR H, Nanchen A, Nallet S, Kleijn RJ, Sauer U. Large-scale ^{13}C -flux analysis reveals distinct transcriptional control of respiratory and fermentative metabolism in *Escherichia coli*. *Mol Syst Biol*. 2011;7:477. doi:10.1038/msb.2011.9.
33. Wu L, Mashego MR, van Dam JC, Proell AM, Vinke JL, Ras C, et al. Quantitative analysis of the microbial metabolome by isotope dilution mass spectrometry using uniformly ^{13}C -labeled cell extracts as internal standards. *Anal Biochem*. 2005;336(2):164–71. doi:10.1016/j.ab.2004.09.001.
34. Nanchen A, Fuhrer T, Sauer U. Determination of metabolic flux ratios from ^{13}C -experiments and gas chromatography–mass spectrometry data: protocol and principles. *Methods Mol Biol*. 2007;358:177–97. doi:10.1007/978-1-59745-244-0:177.
35. Crown SB, Ahn WS, Antoniewicz MR. Rational design of ^{13}C -labeling experiments for metabolic flux analysis in mammalian cells. *BMC Syst Biol*. 2012;6(1):43. doi:10.1186/1752-0509-6-43.
36. Taymaz-Nikerel H, de Mey M, Ras C, ten Pierick A, Seifar RM, van Dam JC, et al. Development and application of a differential method for reliable metabolome analysis in *Escherichia coli*. *Anal Biochem*. 2009;386(1):9–19. doi:10.1016/j.ab.2008.11.018.
37. Au J, Choi J, Jones SW, Venkataramanan KP, Antoniewicz MR. Parallel labeling experiments validate *Clostridium acetobutylicum* metabolic network model for ^{13}C metabolic flux analysis. *Metab Eng*. 2014;26C:23–33. doi:10.1016/j.jymben.2014.08.002.
38. Giraudeau P, Cahoreau E, Massou S, Pathan M, Portais JC, Akoka S. UFJCOSY: a fast 3D NMR method for measuring isotopic enrichments in complex samples. *Chemphyschem*. 2012;13(13):3098–101. doi:10.1002/cphc.201200255.
39. Cahoreau E, Peyriga L, Hubert J, Bringaud F, Massou S, Portais JC. Isotopic profiling of ^{13}C -labeled biological samples by two-dimensional heteronuclear J-resolved nuclear magnetic resonance spectroscopy. *Anal Biochem*. 2012;427(2):158–63. doi:10.1016/j.ab.2012.05.021.
40. Millard P, Massou S, Portais JC, Letisse F. Isotopic studies of metabolic systems by mass spectrometry: using Pascal's triangle to produce biological standards with fully controlled labeling patterns. *Anal Chem*. 2014;86(20):10288–95. doi:10.1021/ac502490g.
41. Heinze E, Yuan Y, Kumar S, Wittmann C, Gehre M, Richnow HH, et al. Analysis of ^{13}C labeling enrichment in microbial culture applying metabolic tracer experiments using gas chromatography-combustion-isotope ratio mass spectrometry. *Anal Biochem*. 2008;380(2):202–10. doi:10.1016/j.ab.2008.05.039.
42. Guerrasio R, Haberhauer-Troyer C, Steiger M, Sauer M, Mattanovich D, Koellensperger G, et al. Measurement uncertainty of isotopologue fractions in fluxomics determined via mass spectrometry. *Anal Bioanal Chem*. 2013;405(15):5133–46. doi:10.1007/s00216-013-6910-5.
43. Cornish-Bowden A, Cárdenas ML. Irreversible reactions in metabolic simulations: how reversible is irreversible? In: Hofmeyr JH, Rohwer J, Snoep JL, editors. *Animating the cellular map*. Stellenbosch University Press; Stellenbosch 2000. p. 65–71.
44. Yuan Y, Yang TH, Heinze E. ^{13}C metabolic flux analysis for larger scale cultivation using gas chromatography-combustion-isotope ratio mass spectrometry. *Metab Eng*. 2010;12(4):392–400. doi:10.1016/j.jymben.2010.02.001.
45. Wahl SA, Noh K, Wiechert W. ^{13}C labeling experiments at metabolic nonstationary conditions: an exploratory study. *BMC Bioinformatics*. 2008;9:152. doi:10.1186/1471-2105-9-152.
46. Almquist J, Cvijovic M, Hatzimanikatis V, Nielsen J, Jirstrand M. Kinetic models in industrial biotechnology - Improving cell factory performance. *Metab Eng*. 2014;24:38–60. doi:10.1016/j.jymben.2014.03.007.
47. Le Novère N, Hucka M, Mi H, Moodie S, Schreiber F, Sorokin A, et al. The Systems Biology Graphical Notation. *Nat Biotechnol*. 2009;27(8):735–41. doi:10.1038/nbt.1558.
48. Rendina AR, Hermes JD, Cleland WW. Use of multiple isotope effects to study the mechanism of 6-phosphogluconate dehydrogenase. *Biochemistry*. 1984;23(25):6257–62.
49. Hermes JD, Roeske CA, O'Leary MH, Cleland WW. Use of multiple isotope effects to determine enzyme mechanisms and intrinsic isotope effects. Malic enzyme and glucose-6-phosphate dehydrogenase. *Biochemistry*. 1982;21(20):5106–14.
50. Gleixner G, Schmidt HL. Carbon isotope effects on the fructose-1,6-bisphosphate aldolase reaction, origin for non-statistical ^{13}C distributions in carbohydrates. *J Biol Chem*. 1997;272(9):5382–7.
51. Lee LV, Vu MV, Cleland WW. ^{13}C and deuterium isotope effects suggest an aldol cleavage mechanism for L-ribulose-5-phosphate 4-epimerase. *Biochemistry*. 2000;39(16):4808–20.
52. Melzer E, Schmidt HL. Carbon isotope effects on the pyruvate dehydrogenase reaction and their importance for relative carbon-13 depletion in lipids. *J Biol Chem*. 1987;262(17):8159–64.

Submit your next manuscript to BioMed Central and take full advantage of:

- Convenient online submission
- Thorough peer review
- No space constraints or color figure charges
- Immediate publication on acceptance
- Inclusion in PubMed, CAS, Scopus and Google Scholar
- Research which is freely available for redistribution

Submit your manuscript at
www.biomedcentral.com/submit

