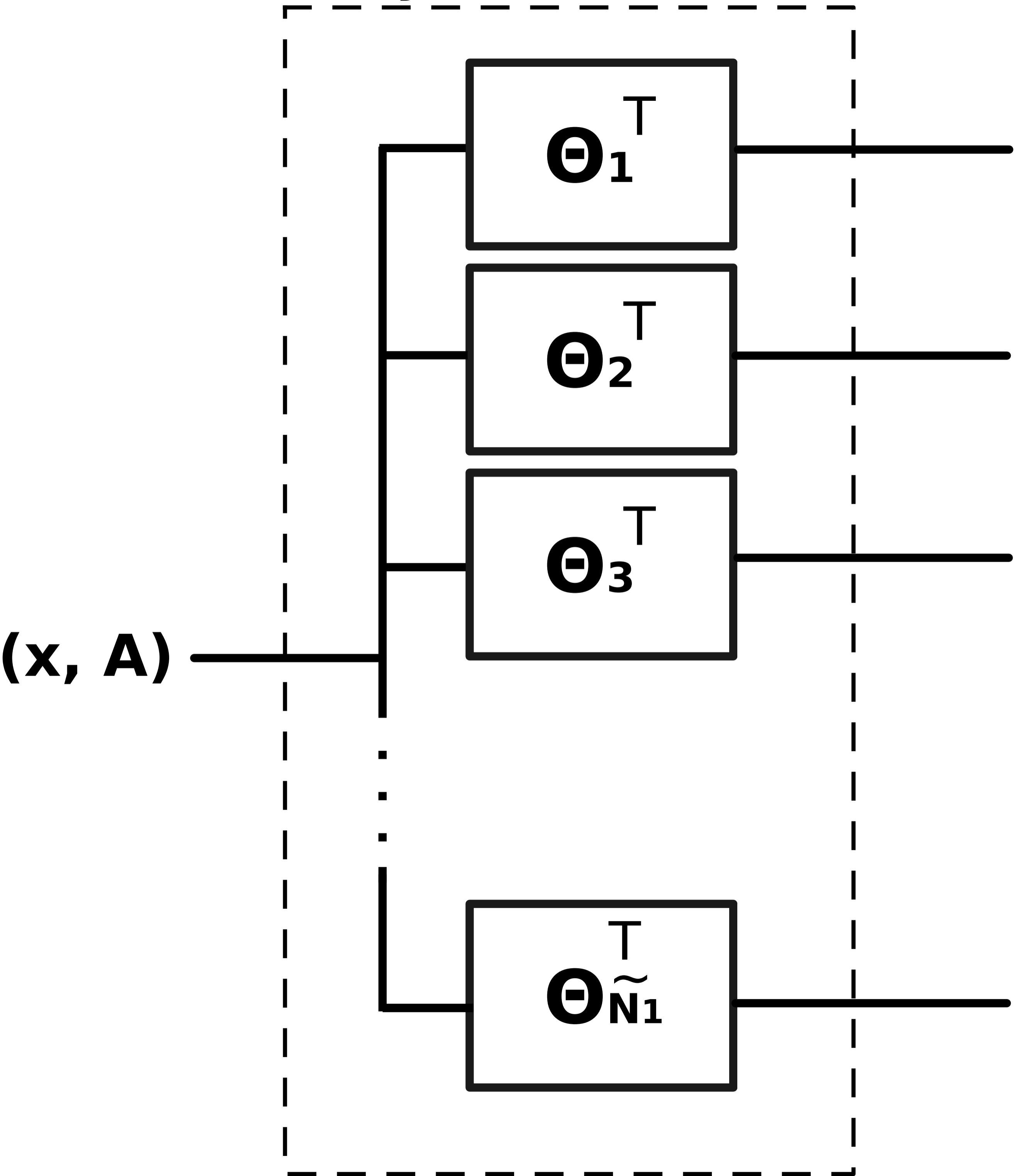
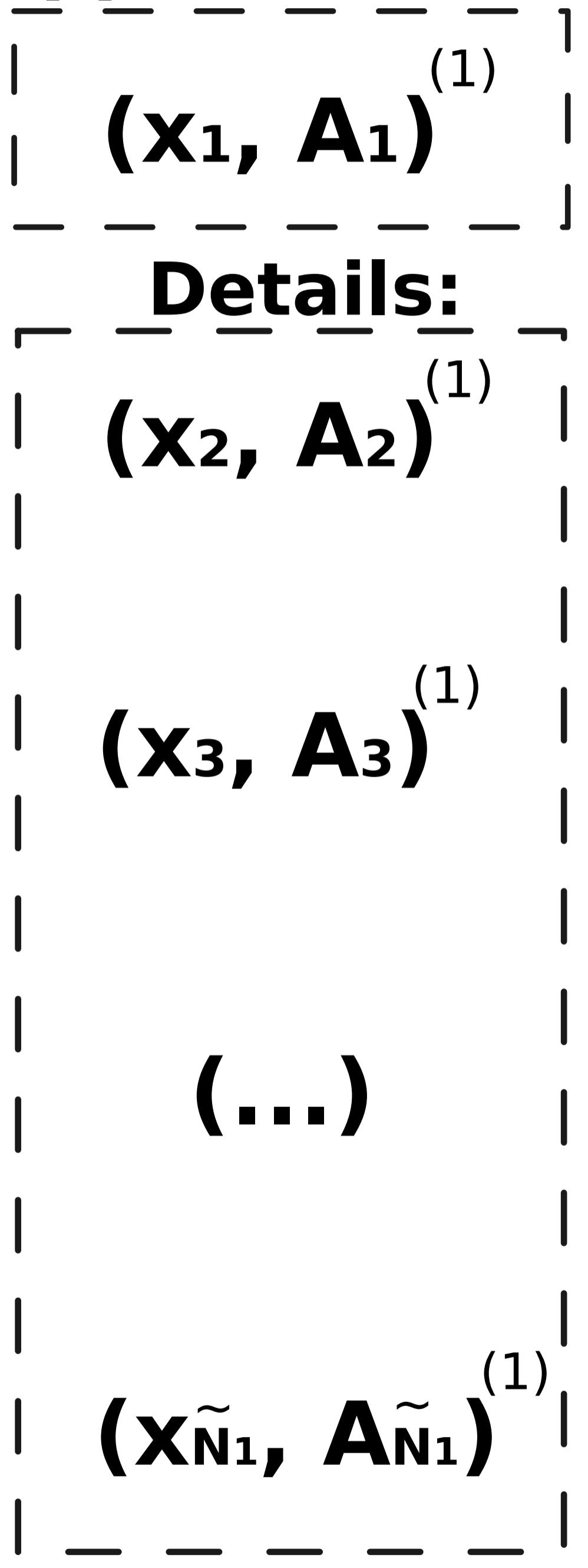


***Analysis block (1)***



**Approximation:**



***Synthesis block (1)***

