



**HAL**  
open science

## **Fault-Tolerant Control of Discrete Event Systems: Comparison of two approaches on the same case study**

Julien Niguez, Saïd Amari, Jean-Marc Faure

### ► **To cite this version:**

Julien Niguez, Saïd Amari, Jean-Marc Faure. Fault-Tolerant Control of Discrete Event Systems: Comparison of two approaches on the same case study. Emerging Technologies & Factory Automation (ETFA), 2015 IEEE 20th Conference on, Sep 2015, Luxembourg, Luxembourg. <10.1109/ETFA.2015.7301626>. <hal-01238783>

**HAL Id: hal-01238783**

**<https://hal.science/hal-01238783v1>**

Submitted on 7 Dec 2015

**HAL** is a multi-disciplinary open access archive for the deposit and dissemination of scientific research documents, whether they are published or not. The documents may come from teaching and research institutions in France or abroad, or from public or private research centers.

L'archive ouverte pluridisciplinaire **HAL**, est destinée au dépôt et à la diffusion de documents scientifiques de niveau recherche, publiés ou non, émanant des établissements d'enseignement et de recherche français ou étrangers, des laboratoires publics ou privés.



HAL Authorization

# Fault-Tolerant Control of Discrete Event Systems: Comparison of Two Approaches on the same Case Study

J. Niguez, S. Amari and J.-M. Faure  
 Automated Production Research Laboratory  
 LURPA, ENS Cachan, Univ Paris Sud F-94235 Cachan, France  
 Mail: {julien.niguez, said.amari, jean-marc.faure}@ens-cachan.fr

**Abstract**—In this paper, two approaches of Fault-Tolerant Control for Discrete Event Systems are compared: the Fault-Hiding approach [4] and the control reconfiguration approach [5]. They are applied on a single case study in order to be compared. Then, a discussion on processing capacities, model sizes and limitations of the two methods is proposed.

## I. INTRODUCTION

Productivity within a company is a major challenge, with significant economic implications. In dependability, a high availability of a system ensures a good productivity. Availability depends among other on the ability of the system to adapt to faults before they have a negative impact on production. Fault-Tolerant Control (FTC) is a means of dependability that allows to interact with the system controller, in order to adapt the control to a faulty behavior of the plant. The production strategy can be accommodated before the productivity of the system is reduced.

The basics of Fault-Tolerant Control for continuous systems are presented in [1]. A definition of fault tolerance is proposed: the ability of a controlled system to maintain control objectives, despite the occurrence of a fault. A degradation of control performance may be accepted. Fault-tolerance can be obtained through fault accommodation or through system and/or controller reconfiguration. Hence methods of fault-tolerant control for Discrete Event Systems (DES) can be classified into two categories: methods based on fault-accommodation ([2], [3], [4]) and methods based on reconfiguration ([5], [6]).

This paper proposes a comparison of the fault-hiding approach [4] and of the control reconfiguration approach [5] through an application on a single case study. These methods were selected in order to compare one method using fault-accommodation and on method using reconfiguration. Furthermore, methods differ by the presence or absence of a diagnoser to detect the occurrence of a fault. It have been chosen to compare a method using a diagnoser with another not using one. Finally, the latest approaches were chosen.

## II. PRESENTATION OF THE CASE STUDY

The system used for the comparison of selected methods is the sorting system depicted in figure 1. The system consists of a loading conveyor (mark A in Figure 1), which routes the boxes to the intermediate conveyor (B). The boxes are then conveyed to a turntable (C), on which there are rollers (D).

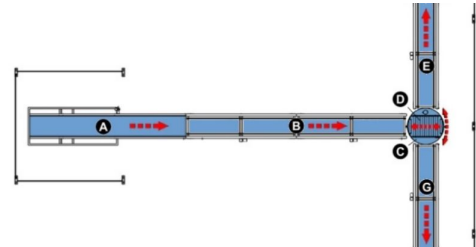


Fig. 1. The sorting system

The unloading conveyors (E and G) are not considered in the following.

Boxes of two sizes are delivered to the table: small boxes and big boxes. The objective of the system is to distribute small boxes to the right and big boxes to the left.

### A. System operation

To achieve its objective, the system has the following actuators and sensors, respectively presented in Tables I and II. In the following, controllable events of  $\Sigma_c$  (set of controllable events) will be associated to actuators controls and uncontrollable events of  $\Sigma_u$  (set of uncontrollable event) to sensors informations.

TABLE I. ACTUATORS OF THE SYSTEM AND ASSOCIATED EVENTS

Actuator	Event
Conveyor A rotation	$A$
Conveyor B rotation	$B$
Rollers rotation - clockwise	$R_h$
Rollers rotation - counterclockwise	$R_a$
Table rotation - left	$T_g$
Table rotation - right	$T_d$

In models of this paper, rising (respectively falling) edge of a sensor event  $e$  will be noted  $e\_1$  ( $e\_0$ ) and activation (deactivation) of an actuator  $E$  will be noted  $E\_1$  ( $E\_0$ ).

The system operates as follows. Boxes arrive randomly on the conveyor A. Once they reach the end of this conveyor, they are sent on conveyor B if free. This conveyor stop when a box arrives at the end of conveyor B but the table is not in the center position. A box is loaded on the table thanks to the clockwise rotation of the rollers. Once the table charged, it is turned to the left position. Large box (small box respectively)

TABLE II. SENSORS OF THE SYSTEM AND ASSOCIATED EVENTS

Sensor	Event
Box at the end of conveyor A	$c_a$
Box at the end of conveyor B	$c_b$
Big box loaded on table	$c_g$
Small box loaded on table	$c_p$
Table - left position	$p_g$
Table - middle position	$p_m$
Table - right position	$p_d$
Box delivered to the right	$d_d$
Box delivered to the left	$d_g$

are then discharged to the left (right) using the clockwise rotation (counterclockwise rotation) of the rollers. The table then returns to the center position, ready to receive a new box.

### B. Faults classification

Faults will be considered as non-repairable and modeled by unobservable events. Simultaneous occurrences of faults are not considered.

The following classification of faults is proposed :

- *Actuator faults* are faults involving either an actuator (for instance a motor or a cylinder), a pre-actuator or a connection between an actuator and a pre-actuator.
- *Sensor faults* are faults involving either a sensor or a connection of the input unit of the controller.
- *Process Faults* are faults involving the process in the plant (for instance a box falling down a conveyor)

It is chosen to illustrate the *actuator* faults by a failure of the pre-actuator in charge of the counterclockwise rotation of the conveyor. The *sensor* fault is modeled by a failure of the sensor at the end of conveyor A. However, a *process* fault can not be treated with this kind of modelization. A lack of event is usually handled with the implementation of a timer. Hence, this kind of fault can not be handled through chosen formalisms which are non-timed.

In the following, a fault will be represented by the event  $f$ , such that  $f \in \Sigma_u$  is non-observable.

### C. Reconfiguration strategy

By construction, the systems can achieve its goal even if one of the faults considered above occurs.

In the case of the *actuator* fault, the system operation becomes the following : a box is loaded on the table through the clockwise rotation of the conveyor. Once loaded, the table is rotated to its left position (respectively right) if the charged box is a big box (a small box). Then, the box is distributed by using the clockwise rotation of the table. Finally, the table returns to its middle position.

In the case of the *sensor* fault, it is no longer possible to detect a package at the end of the conveyor A. The system having no redundancy for this function, a degraded behavior is specified in order to avoid collisions between boxes. Conveyor A is stopped as soon as a box is detected at the end of conveyor B and the table is not ready, regardless that there is a package at the end of the conveyor A or not.

## III. FAULT-HIDING APPROACH

The Fault-Hiding method was introduced in [4]. A re-configuration block is interposed between the plant and the controller (see Figure 2). This block aim to interpret exchanges between the plant and the controller. If a fault occurs, the reconfiguration block is allowed to act on the transmitted informations, in order to simulate a controller that can adapt to the fault.

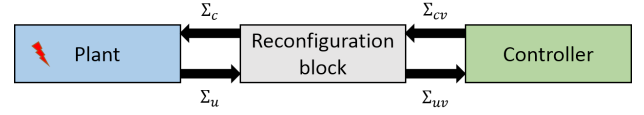


Fig. 2. Closed-loop system in *Fault-Hiding method*

An *virtual* alphabet  $\Sigma_v = \Sigma_{cv} \cup \Sigma_{uv}$  is introduced. Depending on the Inputs received ( $\Sigma_u$  and  $\Sigma_{cv}$ ), the reconfiguration block adapts the Outputs emitted ( $\Sigma_c$  and  $\Sigma_{uv}$ ).

The originality of this method comes from the following characteristic: it does not require the use of a diagnoser to detect the occurrence of the fault, and does not alter the original models of the plant and the controller.

In this paper, only the construction of the reconfiguration block will be exposed. The model of the controller is assumed to be known. The formalism used to this approach is that of finite state automata.

More details on the formalism and the construction process can be found in [4].

## IV. CONTROL RECONFIGURATION APPROACH

The method presented in [5] proposes a technic for control reconfiguration. Its principle is shown in Figure 3. Faults are detected, isolated and reported to reconfigurator using a diagnoser. The reconfigurator will then adapt the control law.

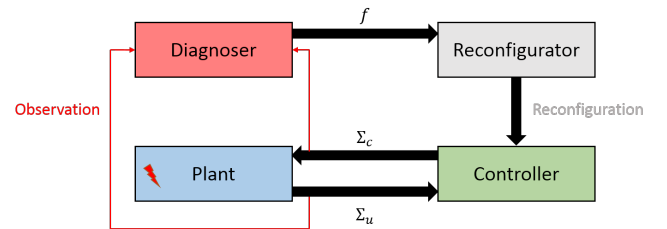


Fig. 3. Closed-loop system in *Control reconfiguration method*

The method provides a reconfiguration strategy of the controller upon detection of a fault on the system. Two methods are proposed:

- Trajectory re-planning: a new trajectory that ensures a correct behavior of the system is selected from the model of the reconfigurator.
- Input/Output adaptation: the input or output event associated with the failed component is substituted by an event that ensures a correct behavior of the system.

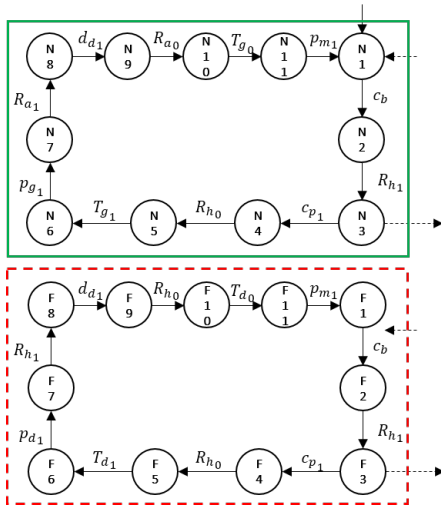


Fig. 4. Model of the accommodation specification for the actuator fault

More details on the formalism and the construction process can be found in [5].

## V. PROCESSING OF DIFFERENT CASES OF FAULTS

For space reasons, this section presents only some of the models obtained with the two methods. These models were selected to highlight limitations and special features of both methods.

### A. First case of fault - actuator fault

The first fault considered is the fault corresponding to the failure of the actuator controlling the table rollers in the counterclockwise direction.

Figure 4 presents a part of the model of the fault-accommodation specification of components  $\{roller + table\}$ . For the sake of simplicity, only a portion of the figure is presented here: this part corresponds to the management of a small box. The treatment of a large box is similar.

This model built by expert knowledge consists of 2 parts: the part in the green frame is the nominal behavior, while the section in the red frame is the desired behavior after occurrence of the fault. This corresponds to control and reconfiguration strategies presented in part II. Figure 4 shows that there is no transition from the model of the nominal behavior to the model of the faulty behavior. This means that it is not possible to detect the occurrence of the fault by a sequence of events corresponding to a faulty behavior. The system remains blocked, waiting for the event  $d_{d_1}$  to occur.

Figure 5 presents the model of the reconfigurator of the control reconfiguration method obtained for the processing of the actuator fault. This model is obtained from the previously constructed trellis. For the same reasons than the figure 4, only a portion of the figure 5 is presented.

It is possible to extract from the model of the reconfigurator in Figure 5 a control law respectful of the nominal behavior,

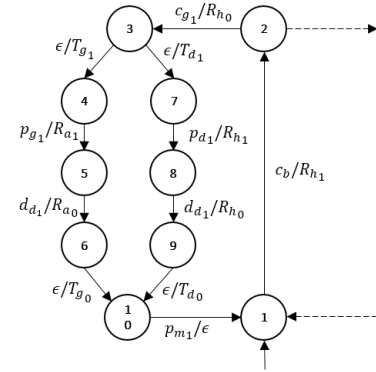


Fig. 5. Model of reconfigurator for the actuator fault

which here corresponds to the model in Figure 5 without states  $\{7, 8, 9\}$ . After occurrence of the fault, the latter is reported to the reconfigurator. Then, the trajectory re-planning technic grant a new control law corresponding to the model shown in Figure 5 without states  $\{4, 5, 6\}$ .

TABLE III. SIZE OF THE MODELS FOR FOR THE PROCESSING OF THE ACTUATOR FAULT (FH: FAULT-HIDING, CR: CONTROL RECONFIGURATION)

Models	States	Trans.
<i>FH</i> - Fault-accommodation specification	38	40
<i>FH</i> - Reconfiguration block	-	-
<i>CR</i> - Reconfigurator	18	21

### B. Second case of fault - sensor fault

The second fault considered corresponds to a failure of the sensor at the end of the conveyor A.

Figure 6 presents a part of the model of the fault-accommodation specification of component  $\{conveyor A + conveyor B\}$ .

As in the first case, the model in Figure 6 was obtained by expert knowledge, and frames have the same meaning. We can notice in Figure 6 a transition from the model of the nominal behavior to the model of the faulty behavior (labeled by the event  $f$ ). Even without diagnoser, it is possible to detect the occurrence of fault by a faulty sequence of events, which here corresponds to the occurrence of an event  $c_{b_1}$  from state 0.

Figure 7 presents the model of reconfigurator obtained for the processing of sensor fault. This model is obtained from the previously constructed trellis.

The model shown in Figure 7 corresponds to the control law respecting the control specification. After occurrence of the fault, the later is reported to the reconfigurator. Then, it is possible to determine a new control law by using the input/output adaptation. In the model in Figure 7, transitions in which appear the event  $c_a$  must be adapted as follow: event  $c_{a_0}$  is changed into the event 0 (transition is never validated) and  $c_{a_1}$  into 1 (transition is always validated). For example, the transition  $\delta(1, c_{a_0}, \cdot) = 2$  becomes  $\delta(1, 0, \cdot) = 2$ .

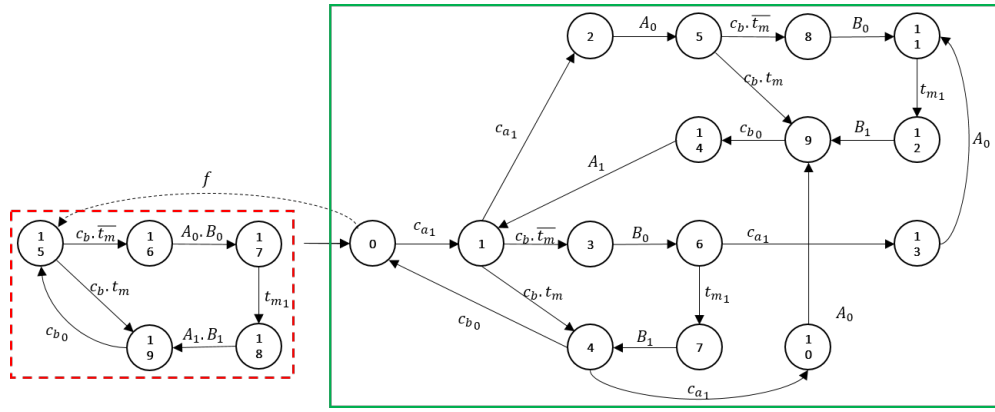


Fig. 6. Model of the accommodation specification for the sensor fault

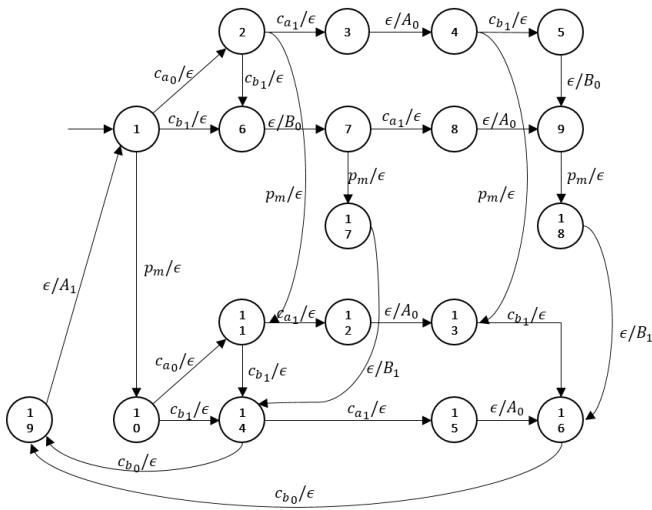


Fig. 7. Model of reconfigurator for the sensor fault

TABLE IV. SIZE OF THE MODELS FOR FOR THE PROCESSING OF THE SENSOR FAULT (FH: FAULT-HIDING, CR: CONTROL RECONFIGURATION)

Models	States	Trans.
<i>FH</i> - Fault-accommodation specification	19	27
<i>FH</i> - Reconfiguration block	52	75
<i>CR</i> - Reconfigurator	19	29

## VI. DISCUSSION AND CONCLUSION

About the processing capacity of the fault-hiding approach, it was impossible to obtain a model of the reconfiguration block for the actuator fault. Indeed, it is not possible to detect the occurrence of the fault, and thus to adapt the control. For the second type of fault however, a faulty sequence of events allow the detection of the fault, hence the reconfiguration block is able to achieve fault-tolerant control. It can also be noted that the construction of the reconfiguration block requires to model faults and the behavior of the system after occurrence of faults, which expose the method to a problem of space explosion in case of scaling.

Concerning the reconfiguration method, it was possible to obtain a fault-tolerant control in both fault cases. From the

model of the reconfigurator, trajectory replanning has resulted in a new control law using the redundancy of the system in the first case. For the second type of errors, input/output adaptation allowed to adapt the control law so as to reach a performance-degraded behavior after occurrence of the fault. However, the trellis necessary to the construction of the reconfigurator were made by hand because of the lack of tool for their construction. This point is particularly limiting as it makes it impossible to apply the method for systems whose size models is more important.

Tables III and IV expose sizes of different models obtained during the application. For the first case, it is not possible to compare the size of final models since Fault-hiding method cannot be used. However, for the second case, the Reconfiguration Block model is slightly twice bigger in term of states and transitions than the Reconfigurator model.

The fault-hiding method [4] allows a fault-tolerant control without a diagnoser. However, it is not applicable to all types of faults, and requires to model the faults and their impact on the system. On the other hand, the reconfiguration control method [5] is applicable to a larger number of errors, but requires the use of a diagnoser to detect the occurrence of faults. In addition, there is no tool facilitating the application of the method.

## REFERENCES

- [1] Blanke M., Kinnaert M., Lunze J. et Staroswieci M. *Diagnosis and Fault-Tolerant Control*. Springer, 2006.
- [2] Wen Q. and Kumar R. A framework for fault-tolerant control of discrete event systems. *IEEE Transactions on Automatic Control*, 53(8), pp. 1839-1849, September 2008.
- [3] Ru Y. and Hadjicostis C. Fault-tolerant supervisory control of discrete event systems modeled by bounded petri nets. American Control Conference, ACC'07, pp. 4945-4950 New York, 9-13 July 2007.
- [4] Wittmann T., Richter J. et Moor T. Fault-hiding control reconfiguration for a class of discrete event systems. 4th IFAC Workshop on Dependable Control of Discrete Systems, DCDS2013, pp. 49-54, York, Royaume-Uni, 4-6 Septembre 2013.
- [5] Nke Y. et Lunze J. Control reconfiguration based on unfolding of input/output automata. 8th IFAC Symposium on Fault Detection, Supervision and Safety of Technical Processes, SAFEPROCESS2012, pp. 866-873, Mexico, Mexique, 29-34 August 2012.
- [6] Paoli A., Sartini M. and Lafortune S. Active fault tolerant control of discrete event systems using online diagnostics. *Automatica*, 47(4), pp. 639-649, April 2011.