



**HAL**  
open science

# Dynamic model of milk production responses to grass-based diet variations during grazing and indoor housing

Anne-Lise Jacquot, Luc Delaby, Dominique Pomiès, Gilles Brunschwig, René Baumont

► **To cite this version:**

Anne-Lise Jacquot, Luc Delaby, Dominique Pomiès, Gilles Brunschwig, René Baumont. Dynamic model of milk production responses to grass-based diet variations during grazing and indoor housing. *Journal of Agricultural Science*, 2015, 153 (04), pp.689-707. 10.1017/s0021859614001336. hal-01210943

**HAL Id: hal-01210943**

**<https://hal.science/hal-01210943>**

Submitted on 27 May 2020

**HAL** is a multi-disciplinary open access archive for the deposit and dissemination of scientific research documents, whether they are published or not. The documents may come from teaching and research institutions in France or abroad, or from public or private research centers.

L'archive ouverte pluridisciplinaire **HAL**, est destinée au dépôt et à la diffusion de documents scientifiques de niveau recherche, publiés ou non, émanant des établissements d'enseignement et de recherche français ou étrangers, des laboratoires publics ou privés.

## MODELLING ANIMAL SYSTEMS RESEARCH PAPER

# Dynamic model of milk production responses to grass-based diet variations during grazing and indoor housing

A. -L. JACQUOT<sup>1,2,3,4\*</sup>, L. DELABY<sup>3,4</sup>, D. POMIÉS<sup>1,2</sup>, G. BRUNSCHWIG<sup>1,2</sup> AND R. BAUMONT<sup>1,2</sup>

<sup>1</sup> INRA, UMR1213 Herbivores, F-63122 Saint-Genès-Champanelle, France

<sup>2</sup> Clermont Université, VetAgro Sup, UMR1213 Herbivores, BP 10448, F-63000, Clermont-Ferrand, France

<sup>3</sup> INRA, UMR1348 Pegase, F-35590 Saint-Gilles, France

<sup>4</sup> Agrocampus Ouest, UMR1348 Pegase, F-35000 Rennes, France

(Received 15 July 2013; revised 1 October 2014; accepted 3 December 2014;  
first published online 28 January 2015)

## SUMMARY

Dairy cow systems based on grassland utilization are characterized by a variation of harvested forage quality from 1 year to another and a fluctuation of grass availability and quality during the pasture season. Consequently, the energy supplied by the diet – i.e., concentrates plus hay or silage in winter and grazing in summer, may not always match animal requirements. A modelling approach enables a representation of the complex relationships between the cow and pasture as they interact. A dynamic model of intake and milk production, focused on grassland utilization by the dairy cow, has been developed. The model operates in a deterministic fashion with a daily time step and is capable of dealing with a day-to-day variation in grass availability and quality at grazing as well as a constant feeding regime during the winter. The model has been built based on the theory that milk production is a result of (i) the energy requirements defined by the potential milk production and physiological status of dairy cows; (ii) the variation of energy supply by the diet; (iii) the ability of dairy cows to mobilize or store body reserves. The model was validated by comparing milk production predictions with experimental data (two groups of dairy cows in the winter time and one group at grazing). The model demonstrates a satisfactory range of accuracy (root-mean-square deviation equal to 1.8, 2.1 and 1.4 kg/cow/day). Model validations indicate that milk production predictions are sensitive to the diet offered (forage, grass and concentrate supply) and depend on dairy cow characteristics and their requirements (pMP). This model can be connected to a grass growth model in order to develop whole farm simulations.

## INTRODUCTION

Maximizing the efficiency and productivity of dairy production systems is no longer the only aim of dairy systems at the farm scale: limiting farming impacts on the environment (Rotz *et al.* 1999), reducing production costs and achieving better feed self-sufficiency (Bocquier & González-García 2009; Delaby *et al.* 2009), and improving farmer working conditions (Bernuès *et al.* 2011) are further goals. Diet composition recommendations must fit these different objectives, and animal responses to different diets must be known (milk yields, body condition score and live weight evolution, etc.). In addition,

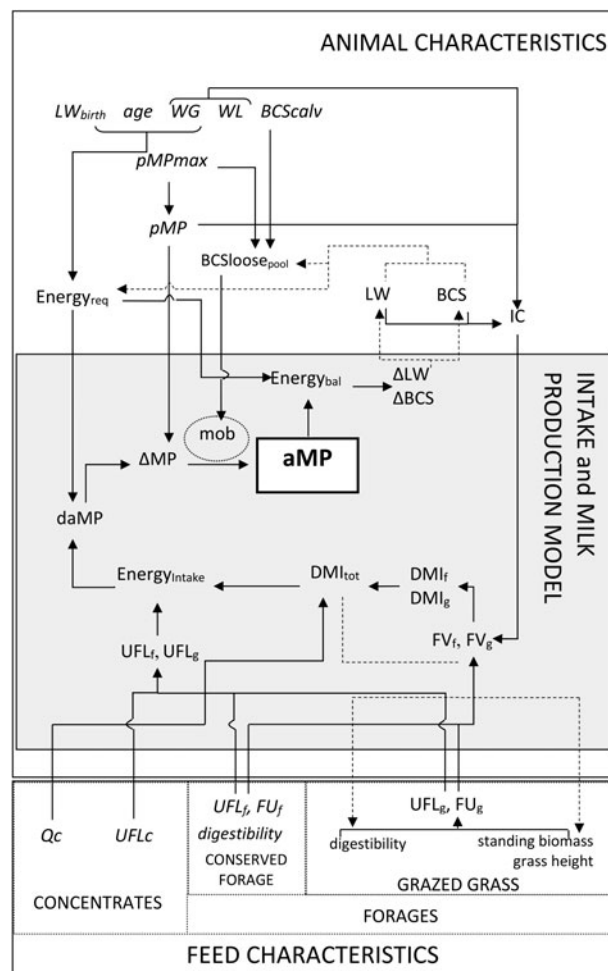
feed supply management is a major component of the farming system, but it depends on the farmer's strategies, and on the production capacities of other elements of the farming system, such as grassland and forage systems. The quality of harvested forages varies from 1 year to another, and grass availability and quality fluctuate during the grazing season. As a result, the energy supply from diets during the winter or grazing periods does not always match animal requirements. These requirements depend on the physiological status of the dairy cows (lactation stage, growth and pregnancy), potential milk yield, and calving period and its distribution. For example, some farming systems, such as dairy systems based only on grazed grass, rely on optimized conversion of grass to milk by matching the period of high

\* To whom all correspondence should be addressed. Email: [anne-lise.jacquot@agrocampus-ouest.fr](mailto:anne-lise.jacquot@agrocampus-ouest.fr)

requirements with the grass-growing season through early spring calving (Dillon *et al.* 1995; McCall & Clark 1999; García & Holmes 2001).

A modelling approach can give a representation of the complex relationships between cattle, pasture and farmers' strategies within dairy production systems. They can also provide an assessment of the impacts of changes of farming system components, especially on animal performance. Models cited in the literature predict feed intake and animal performance for dairy cattle according to their requirements (Rotz *et al.* 1999) or assess the farming system with technical, environmental and financial variables such as milk production, concentrate intakes and nutrient cycling (Schils *et al.* 2007; Vayssières *et al.* 2009). Many models focus on dairy production in grazing systems to study different farmer's strategies (Cros *et al.* 2000) to help decision support systems (Delaby *et al.* 2001). Other grazing system models predict herbage intake and milk production (Delagarde *et al.* 2011a, b; Favardin *et al.* 2011; Baudracco *et al.* 2012), or variation of live weight and body condition score of dairy cows at the end of the grazing season (Beukes *et al.* 2008; Baudracco *et al.* 2012). A few models integrate, at the animal scale, animal responses over the indoor (or winter) and grazing periods according to variations in feeds offered (harvested forages, grass growth or supplementation) such as the MELODIE model (Chardon *et al.* 2012), which focuses on the dynamics of nutrient flow in dairy farms with crops. Nonetheless, the MELODIE model does not take into account day-to-day variation in energy supplied by the diet to predict milk production since MELODIE gives an average prediction of milk yield per day for a paddock.

The current study presents a dynamic model of intake and milk production, capable of modelling the response to variations in a grass-based diet during grazing periods as well as indoors. The objective was to develop a model capable of coping with day-to-day variations in grass availability and quality at pasture as well as with a constant feeding regime offered indoors based on grass forages in winter. This new model is a centrepiece of a whole grass-based dairy farm simulator, Dynamilk (Jacquot *et al.* 2012) which represents the interaction between sward structure and animal intake at the herd-scale. The model is simple and connectable to the outputs of a grass growth model (Jouven *et al.* 2006a), dairy herd demographic model and a farmer's management model (Jacquot *et al.* 2012). The current paper



**Fig. 1.** Architecture and functioning of dynamic intake and milk production model interacting with herd and feed characteristics. Solid arrows show interactions between variables to calculate biomass and energy flows on Day *d*, and dotted arrows show feedback effects on sward and animal characteristics on Day *d*+1. Mob component indicates body reserve mobilization mechanisms during the first part of lactation.

presents and discusses the conceptual basis and the equations of the model, and its evaluation, including validation against experimental data and analysis of response to the main inputs, namely the milk potential of the cows, forage quality, supply of concentrate and stocking rate at grazing.

## MATERIALS AND METHODS

### Model description

The dynamic intake and milk production model (Fig. 1, Table 1) is part of a dynamic farm model (Fig. 2), Dynamilk (Jacquot *et al.* 2012), which also

Table 1. Definition of the variables used in the intake and milk production model

Notation	Unit	Description
<i>Inputs</i>		
pMP <sub>max</sub>	kg/day	Potential milk production at peak of lactation
pMP <sub>total</sub>	kg/year	Total potential milk yield per lactation
WL	Week	Week of lactation
WG	Week	Week of gestation
Age	Month	Age of the cow
LW <sub>birth</sub>	kg	Live weight of calf at birth
BCS <sub>calv</sub>	Score (0–5)	Body condition score of the cow at calving
Act		Coefficient of correction of the energy requirements for maintenance (Faverdin <i>et al.</i> 2011) with act = 1.2 for grazing cows, 1.1 for loose-housed cows and 1.0 for stall-fed cows
Q <sub>c</sub>	g/day	Amount of feed concentrates
UFL <sub>i</sub>	MJ kg/DM	Net energy value of each feed i (forage, grass or concentrates – calculated or defined) (1 UFL = 7.1 MJ) of net energy) (Faverdin <i>et al.</i> 2011)
FV <sub>i</sub>	LFU kg/DM	Fill value of each forage i (forage or grass – estimated according to forage or herbage characteristics (species, stage, chemical composition) (Dulphy <i>et al.</i> 1989)
H <sub>e</sub>	cm	Grass height at entry to a paddock
H <sub>min</sub>	cm	Grass height on a paddock below which dairy cows can no longer pasture
<i>Model variables</i>		
IC	LFU kg/DM	Intake capacity
mSr & gSr		Marginal and global substitution rate
UFL <sub>corr</sub>		Coefficient of correction of net energy value of the diet due to digestive interactions
C <sub>GrassAvail</sub>		Grass availability coefficient
C <sub>IntakeBrake</sub>		Limitation effect on intake capacity due to grass availability decrease
Sr <sub>Grass</sub>		Global substitution rate between grass and feed concentrates
Q <sub>GrassWC</sub>	kg DM/day	Grass intake without considering feed concentrate supply
Energy <sub>Intake</sub>	MJ/kg DM/day	Energy intake supplied by the diet
Energy <sub>mg</sub>	MJ/kg DM/day	Energy requirements for maintenance, gestation and growth
daMP	kg/day	Diet-allowable milk production
pMP	kg/day	Potential milk production
ΔMP	kg/day	Difference between daMP and pMP
maxMP	kg/day	Maximum of milk production reached during grazing a paddock
grassMP	kg/day	Milk production at pasture
BCS <sub>LossPool</sub>	Score (0–5)	Pool of energy that can be mobilized
C <sub>mob</sub>		Coefficient of body reserve mobilization
C <sub>corr</sub>		Coefficient of body reserve mobilization in the short term at grazing
ΔBCS	Score (0–5)	Variation of body condition score
ΔLW	kg	Variation of live weight
<i>Outputs</i>		
DMI <sub>tot</sub>	kg DM/day	Total dry matter intake
LW	kg	Live weight
BCS	Score (0–5)	Body condition score
Energy <sub>bal</sub>	MJ/kg DM/day	Energy balance
aMP	kg/day	Actual milk production
Q <sub>Grass</sub>	kg/day	Grass intake
H <sub>d</sub>	cm	Grass height on a paddock

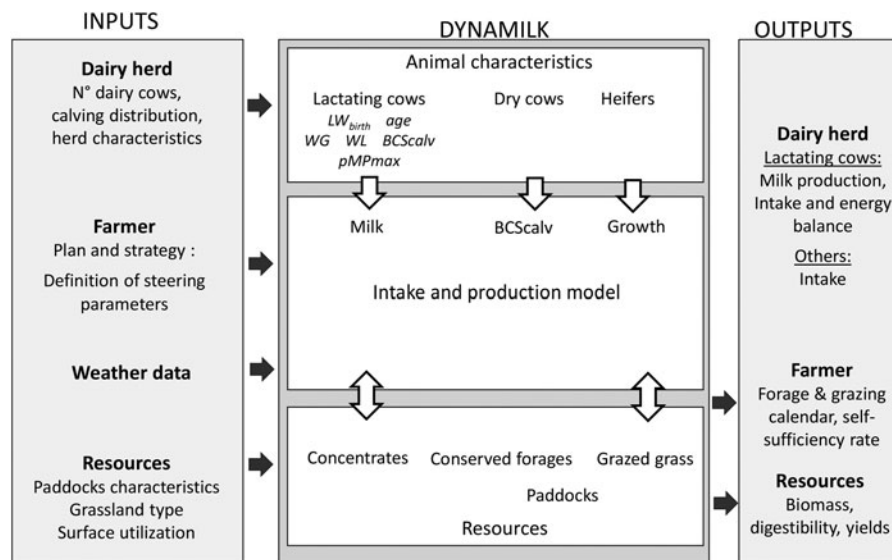


Fig. 2. Architecture of Dynamilk model Jacquot *et al.* (2012) with inputs and outputs.

includes (i) a dairy herd demographic structure sub-model, which generates the demographic structure of dairy cattle through a preset calving distribution; (ii) a grass growth sub-model already published and validated (Jouven *et al.* 2006a, b), which simulates biomass and its digestibility according to sward botanical composition, weather conditions and practices on paddocks (cutting or grazing, the amount of grass ingested by animals linked to their needs and their production); and (iii) farmer's management and decision sub-model, which governs the main practices with mowing, forage stores, diet composition at grazing and wintering and grazing management. Grazing is managed according to a simplified rotational grazing technique (Hoden *et al.* 1991) which consists of sub-dividing grazing parcels into small paddocks. Animals graze with a high-density rate for a short duration on a paddock before being moved on to another paddock. The date of change of paddock corresponds to a drop of 10% in milk output compared to the peak reached on a paddock.

As shown in Fig. 2, the dynamic model of intake and milk production enables the three sub-models to be linked by calculating, at a daily time step, animal intake depending on animal intake capacity and feed offered during indoor or grazing feeding periods. Intake capacity of the lactating cow is determined by its characteristics (live weight, body condition score), its potential milk production and its week of lactation. Feed offered depends on feed characteristics (available amounts and digestibility) related to forage management and feeding strategy.

### Conceptual framework

In order to take into account day-to-day variations of feed offer, the entire conceptual framework of this model relies on the theory that milk production is modelled as a result of the energy requirements defined by potential milk production, the variation of energy supplied by the diet, and the ability of dairy cows to mobilize or store body reserves (Coulon & Rémond 1991; Friggens & Newbold 2007; Martin & Sauvant 2010a, b). The mathematical description of major mechanisms of intake is mainly built according to the model developed by INRA (Delagarde *et al.* 2011a; Faverdin *et al.* 2011). However, in contrast to the INRA model used for diet composition recommendations, dairy cows are fed in the current model according to the feed supply provided from the farm. In other words, the energy supply does not necessarily meet potential requirements. As a consequence, the milk production model includes mechanisms of body reserve mobilization during the first weeks of lactation. During the first week *post-partum*, even if the energy offered by the diet is sufficient, the intake capacity of animals does not allow energy intake to reach animal requirements, owing to intense milk production (Chilliard *et al.* 1987; Reist *et al.* 2002). The energy deficit is covered by body reserve mobilization triggered by homeorhetic regulation, dispatching energy towards mammary tissue to sustain milk yield (Coulon & Rémond 1991; Friggens & Newbold 2007; Gross *et al.* 2011). At the same time as a gradual increase

in intake capacity (Chilliard *et al.* 1987), the ability to mobilize body reserves decreases over the weeks of lactation and metabolic priority towards mammary tissue fades out to restore homeostatic balance (Coulon & Rémond 1991; Gross *et al.* 2011). This transition occurs between 1.5 and 3 months *post-partum* (Buttchereit *et al.* 2010; Gross *et al.* 2011). During the second part of lactation, defined as after the 12th week of lactation, the model assumes that animals can no longer mobilize their body reserves. In the case of energy deficit due to a poor quality diet (shortage of grass at grazing for example), dairy cows adapt in the short term to maintain their homeostatic equilibrium by decreasing milk yield and by varying body condition (Coulon & Rémond 1991; Delaby *et al.* 2009; Gross *et al.* 2011) the opposite is the case when a high-quality diet is offered.

Unlike indoor feeding, which is characterized by a constant diet fed day to day, intake at grazing fluctuates from 1 day to the next. This fluctuation is due to grass growth and grazing management, in particular for a rotational grazing system during the depletion of a paddock as described by Hoden *et al.* (1991). Thus, herbage intake depends on the biomass offered and sward structure, and so energy intake varies from day to day and the animal's needs are not always met. As a result, dairy cows draw on their buffering capacity through mobilization and reconstitution of their body reserves in the short term. Despite this buffering action, a discrepancy between actual milk production and expected production may occur. To sum up, the current model relies on the idea that milk production depends on energy supplied from diets and body reserves.

#### Feed characteristics

Three types of feed are considered: grazed grass, harvested forages with grass silage and/or hay and concentrates. The diet is made up of (i) concentrate and forages, consisting of a mix of first and second cut grass silage or hay in a preset proportion (input of model) during the winter period; and (ii) concentrate and grazed grass during the grazing period.

Grazed grass and harvested forages are described by their feed digestibility, energy (feed unit for lactation, with 1 UFL equal to 7.106 MJ) and fill unit values (FV) (Dulphy *et al.* 1989; Baumont *et al.* 2007; Faverdin *et al.* 2011). The FV of each type of forage eaten depends on forage characteristics alone (species, stage of maturity and chemical composition)

and is an inverse function of its voluntary intake (Faverdin *et al.* 2011). Calculation of the daily amount of concentrate fed depends on the lactation status of the animal with its week of lactation and its daily potential milk production all of which are driven by a preset total amount of concentrate per year and per animal (input of model). As shown in Figs 1 and 2, forages with varying yearly feed values and quantities are provided by another sub-model of Dynamilk. Grazed grass feed values are provided by a grass growth model and depend on sward structure, botanical composition, time and weather conditions, interaction with animals and grazing management.

#### Animal characteristics

It has been considered that dairy cows are defined by some characteristics representing their productive theoretical potential: potential milk production, intake capacity, energy requirements for maintenance, growth and pregnancy and the ability of the animal to mobilize body reserves in early lactation. These characteristics are dependent on when lactation starts (calving date), a conceptual genetic potential milk production, called total potential milk yield per lactation ( $pMP_{total}$ , kg/year) and body condition score at calving ( $BCS_{calv}$ ).

Knowing  $pMP_{total}$  and animal parity, potential milk production at the peak of lactation ( $pMP_{max}$ , kg/day) can be calculated:

$$pMP_{max} = a \times pMP_{total} \quad (1)$$

with different parameters for primiparous or multiparous cows,  $a = 0.0038$  for primiparous and  $a = 0.0045$  for multiparous (Faverdin *et al.* 2010).

From  $pMP_{max}$ , Faverdin *et al.* (2010) defined the calculation of the concept of potential milk production ( $pMP$ , kg/day). During lactation,  $pMP$  represents a potential or a theoretical milk production curve for a balanced diet. Week of lactation (WL) and week of gestation (WG) are determined from calving date.

Multiparous:

$$pMP = pMP_{max} \times \{1.047 - (0.69 \times e^{-0.90 \times WL}) - (0.0127 \times WL) - (0.50 \times e^{-0.12 \times (45 - WG)})\} \quad (2a)$$

Primiparous:

$$pMP = pMP_{max} \times \{1.084 - (0.7 \times e^{-0.46 \times WL}) - (0.009 \times WL) - (0.69 \times e^{-0.16 \times (45 - WG)})\} \quad (2b)$$

From the pMP curve, intake capacity of the animals can be calculated based on Faverdin et al. (2011) who showed that the animal's IC depends on three main factors: animal's LW (kg) and BCS (score 0–5) and pMP (kg/day), corrected by three non-dimensional indices. These indices enable the user to consider changes in the IC due to the age (age, in months) and physiological state of the animal (week of lactation, WL and week of gestation, WG). For instance, IL facilitates the effect of digestive capacities and body reserve mobilization in early lactation to be modelled.

$$IC = \{13.9 + (0.015 \times (LW - 600)) + (0.15 \times pMP) + (1.5 \times (3 - BCS))\} \times IL \times IG \times IM \quad (3)$$

The three indices IL, IG and IM, were defined by Faverdin et al. (2011):

$$IL = a + (1 - a) \times (1 - e^{-0.22 \times WL}) \quad (3a)$$

with  $a = 0.43$  for primiparous and  $a = 0.6$  for multiparous cows.

$$IG = 0.8 + 0.2 \times (1 - e^{-0.25 \times (40 - WG)}) \quad (3b)$$

$$IM = -0.1 + 1.1 \times (1 - e^{-0.08 \times age}) \quad (3c)$$

Energy requirements for maintenance, pregnancy and growth needs, since the animal is younger than 40 months (Energy<sub>mg</sub>, MJ/day) were calculated with the following equation (Faverdin et al. 2011):

$$Energy_{mg} = \{[(0.041 \times LW^{0.75}) \times act] + [3.25 - (0.08 \times age)] + (0.00072 \times LW_{birth} \times e^{0.116 \times WG})\} \times 7.106 \quad (4)$$

Maintenance requirements include consideration of whether animals are at pasture or are indoors through an activity coefficient (act). For instance, indoors, maintenance requirements are not changed in the case of a stanchion stable system, also called a tie-up cowshed, and are increased by 10% with a free-stall housing system (estimation made on experimental data, Konggaard 1977), while the requirements are increased on average by 20% when cows graze a productive pasture of high-quality grass (Langlands & Sutherland 1968). The ability of the animal to mobilize body reserves in early lactation is linked to (i) the status of its body and lipid reserves at calving through its body condition score at calving, noted BCS<sub>calv</sub>; and (ii) its pMP<sub>max</sub>, as described by Faverdin et al. (2007a) and Brun-Lafleur et al. (2013). This ability is expressed by a

pool of energy that can be mobilized (BCS<sub>losspool</sub> score). This equation was built from another equation developed by Brun-Lafleur et al. (2013) adjusted on the basis of a large data set collected from the experimental farm of INRA Le Pin-au-Haras (Delaby et al. 2010).

$$BCS_{losspool} = 2.20 - 0.047 \times pMP_{max} - 0.51 \times BCS_{calv} + \Delta \quad (5)$$

with  $\Delta = -0.1$  for primiparous and  $\Delta = 0.1$  for multiparous cows.

### Intake

The intake model is based on the hypothesis that animals voluntarily ingest feedstuffs *ad libitum* until their intake capacity is met. The fill unit system considers that the intake capacity (IC, LFU kg/dry matter (DM)) is equal to the sum of the amounts of dry matter of each component of the diet multiplied by their fill value (Faverdin et al. 2011).

Daily dry matter forage intake can be calculated (DMI<sub>f</sub>) according to the equations developed by Faverdin et al. (2011), taking into account intake capacity, fill value of forage (FV<sub>f</sub>), concentrate amount (Q<sub>c</sub>) and calculated substitution rate between concentrate and forages (mSR). The mSR depends on the proportion of concentrate in the diet and the net energy values of forages and concentrates and enables the model to consider metabolic regulation of concentrate intake. For a known ingested forage, mSR increases with a higher proportion of concentrate in the diet.

$$DMI_f = \{IC - (mSR \times Q_c \times FV_f)\} / FV_f \quad (6)$$

At grazing, the intake model takes into account the evolution of sward structure and grazing management impinging on voluntary ingestion by animals (Delagarde et al. 2011a). The sward structure is described by total standing biomass (BM) and by the proportions (PR, kg DM/kg DM) in the available strata for grazing (>3 cm above ground level) and the organic matter digestibility (OMD) of four structural components: green leaves and sheath (GV), dead leaves and sheath (DV), green stems and flowers (GR) and dead stems and flowers (DR) (Jouven et al. 2006a).

Two interlocked coefficients mimic the fact that under a rotational grazing system, during animal time on a paddock, grass availability and voluntary ingestion both decrease according to the equations developed

by Delaby *et al.* (2001). Grass availability ( $C_{GrassAvail}$ ) depends on daily grass height ( $H_d$ ), grass height at entry to the paddock ( $H_E$ ) and grass height below which animals can no longer graze ( $H_{min}$ , > 3 cm above ground level) Delaby *et al.* (2001).

$$C_{GrassAvail} = \frac{(H_d - H_{min})}{(H_E - H_{min})} \quad (7a)$$

with

$$H_{min} = 3 - 0.1 H_E + H_E^2 \quad (7b)$$

The second coefficient ( $C_{IntakeBrake}$ ) represents the limitation effect of the decrease in grass availability on grass intake.

$$C_{IntakeBrake} = e^{(-8 \times C_{GrassAvail})} \quad (8)$$

Similarly to the grass ingestion model developed by Delagarde *et al.* (2011a), grass intake is calculated in two steps. The first step ( $Q_{GrassWC}$ ) includes the limitation effect, and takes into account intake capacity and fill value of grass ( $FV_g$ ), but does not consider any concentrate supply Delaby *et al.* (2001).

$$Q_{GrassWC} = \{(1 - C_{IntakeBrake}) \times IC\} / FV_g \quad (9)$$

In a second step, the daily amount of concentrate is taken into account through the calculated substitution rate ( $Sr_{Grass}$ ) (Delagarde *et al.* 2011a).

$$Q_{Grass} = Q_{GrassWC} - Sr_{Grass} \times Q_C \quad (10)$$

Subsequently, energy intake ( $Energy_{intake}$ ; MJ/d) can be determined considering the digestive interactions ( $UFL_{corr}$ ) and the non-additivity of UFL values knowing dry matter intake of concentrates, forages or grass and their energy value (Jarrige 1989; Faverdin *et al.* 2011).  $UFL_{corr}$  is a coefficient due to the diet digestibility decrease linked to the increase in intake and in concentrate proportion in the diet (Faverdin *et al.* 2011).

During in-door feeding time:

$$Energy_{intake} = (UFL_f \times DMI_f + UFL_c \times Q_c - UFL_{corr}) \times 7.106 \quad (11a)$$

During grazing time:

$$Energy_{intake} = (UFL_{grass} \times Q_{grass} + UFL_c \times Q_c - UFL_{corr}) \times 7.106 \quad (11b)$$

#### Energy utilization for production of milk

Knowing energy intake ( $Energy_{intake}$ ; MJ/d) and energy requirements for maintenance and growth ( $Energy_{mg}$ ;

MJ/d), available energy for milk production can be calculated, considering that this energy is used only by the udder to produce milk. This energy can be converted into milk, called diet-allowable milk production (daMP) on the hypothesis that the energy necessary to synthesize 1 kg of standard milk with 4% of fat is 3.127 MJ (Faverdin *et al.* 2011).

$$daMP = \frac{(Energy_{intake} - Energy_{mg})}{3.127} \quad (12)$$

The hypothesis is included that daily milk production is linked to the previous 2 days of energy intake. Moseley *et al.* (1976) and Faverdin *et al.* (2007a) have shown that when diet composition abruptly changes, animals adapt almost immediately to this disturbance by modifying their ingestion. The effect on milk production occurs with a delay of a few days (Moseley *et al.* 1976). This delay is due to the ability to mobilize body reserves in the short term (Faverdin *et al.* 2007a) to maintain homeostatic equilibrium (Coulon & Rémond 1991; Gross *et al.* 2011). To depict this effect, a moving average to calculate milk production from energy directly available for the udder on a day is calculated from the daMP value of the last 2 days. This mean allows a better simulation of the milk production curve at grazing with a simplified rotational management as described by Hoden *et al.* (1991).

$$MP_{udder} = 0.70 \times daMP_{d-1} + 0.30 \times daMP_{d-2} \quad (13)$$

$MP_{udder}$  is then compared with potential milk production, and the difference is noted  $\Delta MP$

$$\Delta MP = MP_{udder} - pMP \quad (14)$$

In the case of a positive  $\Delta MP$ , theoretical requirements of the animal, including pMP, are met; 25% of this extra energy is converted into extra milk. In other words, in this model, actual milk production (aMP) can exceed potential milk production defined by genetic potential for a balanced diet in the case of a better quality diet.

$$aMP = 0.25 \times \Delta MP + pMP \quad (15)$$

In the case of a negative  $\Delta MP$ , there is a shortfall of energy supplied by the diet to produce milk to the full extent of pMP. In early lactation, until the 12th week of lactation, mobilization of body reserves allows the cow to produce more milk than  $MP_{udder}$  until the  $BCS_{loss_{pool}}$  is positive (Eqn (5)). This effect is modelled by a coefficient of mobilization,  $C_{mob}$ :

$$aMP = MP_{udder} - (\Delta MP \times C_{mob}) \quad (16)$$



where  $C_{mob}$  is a coefficient that describes energy mobilization (Coulon & Rémond 1991; Buttchereit *et al.* 2010; Gross *et al.* 2011) and decreases according to the animal's week of lactation.

$$C_{mob} \times 0.7 \times (1.2 - 0.2 \times e^{-0.6 \times WL} - 0.04 \times WL) \quad (17)$$

The link between  $C_{mob}$  and  $BCS_{loss_{pool}}$  is made through daily energy balance and daily body score variation (see the next section). In other words,  $C_{mob}$  works until there is enough energy available from  $BCS_{loss_{pool}}$ .

In mid- and late lactation, after the 12th week of lactation, it has been considered that the dairy cow can no longer mobilize reserves, and actual milk production equals that allowed by the energy supply of the diet. This case also occurs when the ability to mobilize body reserves is reduced to zero, in other words, when the point of exhaustion of a pool of energy to be mobilized is reached.

$$aMP = MP_{udder} \quad (18)$$

In contrast to the winter situation, rotational grazing management implies a fluctuating intake level, and so a varying energy supply between the first and the last days on a paddock. Dairy cows have to adapt to these variations and switch in a short time from an excess to a deficit of energy. Milk production follows a curve with an increase in milk production and a peak after the first 2 days, which is noted maxMP (Hoden *et al.* 1991). The low milk production in the first 2 days on a paddock results from a low-energy intake in the last 2 days on a preceding paddock. The peak represents the local potential milk production allowed by herbage offered in the paddock. A gradual decrease in milk production then occurs, linked to the decrease in grass availability and its quality at the end of the residency time on a paddock. However, mobilization of body reserves in the short term, and the buffering capacities of animals, allows actual milk production to exceed  $MP_{udder}$ . This buffering capacity to offset energy supply variations in the short term is taken into account by a coefficient of correction ( $C_{corr}$ ) that minimizes the milk production drop at the end of residence time on a paddock. This has been adjusted on daily milk production data within a paddock (experimental data from L. Delaby, personal communication) to match with milk production curves as Hoden described in Hoden *et al.* (1991).  $C_{corr}$  is equal to 0.50 at the beginning of lactation and 0.25 thereafter. Milk production allowed by the diet offered at grazing including the correction for energy mobilization

(grassMP) is then compared with pMP as described in Eqn (14). If grassMP is lower than pMP, aMP is the same as grassMP. Conversely, if grassMP is higher than pMP, actual milk production can be calculated with Eqn (15). This is the case when significant quantities of high-quality herbage are offered at the beginning of the spring. Once grassMP exceeds pMP on a paddock, this correction is applied on the milk production calculation until the end of residence in order to keep the shape of the milk production curve on a paddock as defined by Hoden *et al.* (1991). Equation (19) considers that if maxMP exceeds pMP, then maxMP has to be considered as the potential milk production of the grazed paddock.

Finally, aMP at grazing is calculated by:

$$aMP = MP_{udder} + C_{corr} \times (\text{Max}\{\text{maxMP}; \text{pMP}\} - MP_{udder}) \quad (19)$$

#### Energy balance and body condition score

Once aMP has been calculated, energy balance is calculated by:

$$\text{Energy}_{bal} = \text{Energy}_{intake} - (\text{Energy}_{mg} + aMP \times 3.127) \quad (20)$$

In the case of a positive balance, the daily variation of BCS (score) and LW (kg) are estimated by the equations developed by Chilliard *et al.* (1987). A positive daily variation of BCS or LW is written  $\Delta BCS+$  or  $\Delta LW+$ , and a negative one is noted  $\Delta BCS-$  or  $\Delta LW-$ :

$$\Delta BCS+ = \text{Energy}_{bal} \times 0.00296 \quad (21a)$$

$$\Delta LW+ = \text{Energy}_{bal} \times 1.5791 \quad (21b)$$

In the case of a negative balance, other equations developed by Chilliard *et al.* (1987) are used:

$$\Delta BCS- = \text{Energy}_{bal} \times 0.03948 \quad (22a)$$

$$\Delta LW- = \text{Energy}_{bal} \times 2.0303 \quad (22b)$$

When energy balance is negative,  $BCS_{loss_{pool}}$  is decreased by daily BCS variation until its exhaustion

$$BCS_{loss_{pool d}} = BCS_{loss_{pool d-1}} + \Delta BCS_{-d} \quad (23)$$

#### Model validation

Because milk production is the main output of this model and the whole model, Dynamilk, the validation process has been focused on the validation of milk production predictions by testing the model against experimental data, and by exploring model behaviour in response to variation in key inputs.

Table 2. Description of parameters to simulate the experimental trials

Parameter	Group 1 (indoor)	Group 2 (indoor)	Group 3 (grazing)
Dairy cow numbers	12 including 4 primiparous	10 including 3 primiparous	12 including 4 primiparous
<i>Animal characteristics</i>			
pMP <sub>max</sub> (kg)	Primiparous 30.5 Multiparous 36.8	Primiparous 27 Multiparous 34.6	Primiparous 28 Multiparous 30
Average LW (kg)	631	686	495
Average BCS (score)	2.9	3.15	1.54
<i>Diet characteristics</i>			
Forage (MJ/kg DM, FV)	<i>Ad libitum</i> (mix of forage) (UFL <sub>f</sub> : 6.103 MJ; 0.94 FV <sub>f</sub> )	<i>Ad libitum</i> (mix of forage) (UFL <sub>f</sub> : 6.247 MJ; 1.04 FV <sub>f</sub> )	–
Concentrates (UFL <sub>c</sub> = 1; g/kg pMP)	Primiparous: 292 g Multiparous: 314 g	Primiparous: 191 g Multiparous: 146 g	No feed concentrates

### Model predictions against experimental data

Data from two groups of cows subjected to control treatments (Pomiès *et al.* 2008, 2010) were used to test the model's predictive accuracy during winter feeding with a diet based on conserved grass. The parameters used to simulate milk production are provided in Table 2. All the parameters were calibrated from experimental recorded data with average live weight and body condition score data of experimental animals, and average diet characteristics from each animal's intake during the trials. Potential milk production at peak of lactation was estimated by an average on observed milk production values between the 5th and the 8th week of lactation according to a method developed by Faverdin *et al.* (2007b). The first group was made up with 12 cows including 4 primiparous, with a pMP<sub>max</sub> of 30.5 kg/day for primiparous and 36.8 for multiparous with an average LW of 631 kg and an average BCS of 2.9. They received a diet made up of *ad libitum* forage (6.103 MJ/kg DM, 0.94 FV<sub>f</sub>) and concentrate feed supplied with 292 g/kg of pMP for primiparous and 314 g/kg for multiparous cows. The second group was made up of 10 cows including 3 primiparous, with a pMP<sub>max</sub> of 27 kg/day for primiparous and 34.6 for multiparous cows with an average LW of 686 kg and an average BCS of 3.15. They received a diet composed of *ad libitum* forage (6.247 MJ/kg DM, 1.04 FV<sub>f</sub>) and concentrate feeds of 191 g/kg of pMP for primiparous and 146 g/kg for multiparous cows.

A third experimental group of cows was used to test milk production predictions at grazing. This trial was carried out on an INRA experimental farm (Marcenat, 1060 m a.s.l., Massif Central, France)

(Farruggia *et al.* 2010). Twelve dairy cows including four primiparous, at the 19th week of lactation with an LW of 640 kg and a BCS of 1.54 on average, grazed fertilized temporary grasslands receiving 80 kg N/ha/year, managed under rotational grazing with a stocking rate of 1.8 livestock unit per ha (LU/ha) and with no concentrate supply. Potential milk production at the peak of lactation was estimated from milk production on days 4–6 after calving. Herbage biomass and quality was simulated according to the model of Jouven *et al.* (2006a) using sward measurements completed during the experiment as inputs. A sequence of six paddocks grazed successively from 24 May to 11 July 2009 was simulated.

To measure the accuracy of the model predictions, the root-mean-squared deviation (RMSD) between the observed and the predicted values was calculated.

$$RMSD = \sqrt{\frac{\sum (P - O)^2}{N}} \quad (24)$$

where  $P$  is a predicted value,  $O$  is an observed value and  $N$  is the number of observations.

To gain further insight into model performance, the three additive components of mean-squared deviation (MSD) described by Gauch *et al.* (2003) have also been calculated: the squared bias (SB), which measures translation of observed: predicted from the 1:1 line, the non-unity slope (NU), which measures rotation from the 1:1 line, and lack of correlation (LC), which measures dispersion.

$$SB = (\bar{P} - \bar{O})^2$$

Table 3. Variation in the range of inputs for production parameters tested in winter and grazing simulations

Parameters	Basic simulation	Variation range for parameter			
<i>Winter</i>					
pMP <sub>total</sub> (kg/year)	7500	5500	6500	8500	9500
Forage (OMD in g/g, UFL)	0.71 (0.85)	0.64 (0.75)	0.67 (0.80)		0.74 (0.90)
<i>Grazing</i>					
pMP <sub>total</sub> (kg/day, kg/year)	25 (7500)	20 (6000)	30 (8500)		35 (10 000)
Concentrates (UFLC = 1; kg/day, kg/year)	3 (1000)	0 (0)	6 (1800)		9 (2700)
Stocking rate (LU/ha1)	7.5	5	10		12.5

OMD, organic matter digestibility.

where  $\bar{P}$  and  $\bar{O}$  are the means of the predicted and observed values

$$NU = (1 - b)^2 \times \sum (P_n - \bar{P})^2 / N$$

where  $b$  is the slope of the regression line  $O = a + b \times P$  and summation over  $n = 1, \dots, N$ .

$$LC = (1 - r^2) \times \sum (O_n - \bar{O})^2 / N$$

where  $r^2$  is the correlation coefficient of  $O = a + b \times P$

The best fit is obtained when SB, NU and LC are close to zero.

#### Model behaviour

Sensitivity of the simulated milk production was tested on animals (i) for the winter period: including the potential milk production and forage digestibility; and (ii) for the grazing period: including the concentrate supply, potential milk production and stocking density (Table 3). To test model behaviour, simulations were carried out based on conceptual virtual data which were kept realistic. For simulations of winter feeding at the beginning of lactation, dairy cows were characterized by an average LW of 650 kg and a BCS of 3.14, and concentrate supply was fixed at 1200 kg/cow/year. For simulations at grazing, dairy cows were characterized by an average LW of 650 kg, a BCS of 3 and average week of lactation and week of gestation were respectively 18 and 10. Paddock and sward characteristics were set to run with the grass growth model developed by Jouven *et al.* (2006a), with a standing biomass at a ground level of 2750 kg/ha, a vegetative sward growth of 60 kg/ha/day and a rate of ageing of 2%. The stocking density was fixed at 7.5 LU/ha.

## RESULTS

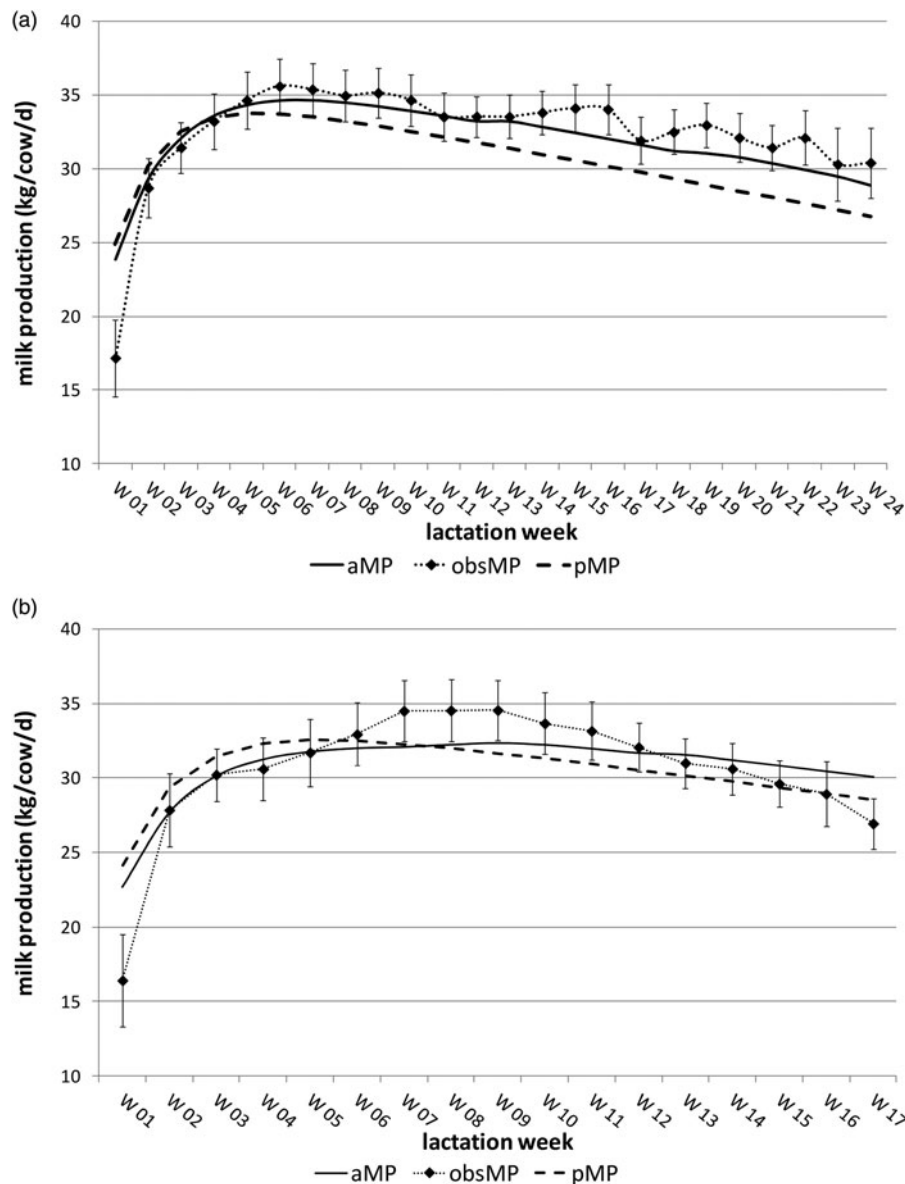
### Model predictions against experimental data

During the winter and indoor feeding period, the model successfully simulated the lactation curves of

the two groups of cows (Fig. 3), with an increase in milk production over the first weeks of lactation, a peak milk yield between the 6th and the 8th week and then a gradual decrease after the 9th week of lactation. The predicted lactation curve fitted less well for Group 2 than for Group 1, especially from the 8th to the 12th week of lactation. In both simulated situations, the model struggled to predict daily milk production during the first week of lactation (23.8 v. 17.2 and 22.7 v. 16.4 kg/cow/day, respectively), but still remained close to the estimated potential milk production.

The RMSD of model prediction was 1.8 and 2.1 kg/cow/day respectively for Groups 1 and 2 (Table 4), which represents 5.7 and 6.8% of daily observed milk production. The mean bias ( $\bar{P} - \bar{O}$ ) between predicted and observed data was 0.5 and 0.1 kg/cow/day for Groups 1 and 2 during indoor feeding, respectively. This indicates that the model tended to slightly overestimate milk production, especially above 30 kg/cow/day. For the first group, the MSD breakdown indicates that the non-adjusted part of the model prediction was explained mainly by lack of correlation (67%) with a low bias (SB = 8%), which indicates a low translation of observed: predicted compared with the 1:1 line, and a moderate rotation of the linear line compared with the 1:1 line (NU = 25%). The MSD of Batch 2 is explained by a very low SB with 0.5%, a lack of correlation of 33.1% and a rotation of the linear line of observed: predicted compared with the 1:1 line of 66.4%. In both situations, the low bias indicates that the model structure was consistent.

At grazing, the model successfully simulated the typical waves in the lactation curve under simplified rotational grazing management (Fig. 4). However, the model seemed to have some difficulty simulating the drop in milk production during the transition



**Fig. 3.** Comparison between predicted milk production (aMP, —) and experimental milk production (obsMP, ...◆...) for Group 1 (a) on 24 weeks of lactation and Group 2 (b) on 17 weeks of lactation. Experimental data are presented with standard error of the mean (S.E.M.), and — — represents the estimated pMP values for the two studied batches.

between the two paddocks. The RMSD of model prediction was 1.4 kg/cow/day (Table 4), representing 6.5% of daily observed milk production. The MSD breakdown (Table 4) indicates that the non-adjusted part of the model prediction was mainly due to a lack of correlation between observed: predicted (85% of MSD). Model predictions present a low bias (SB = 5%) and rotation of the linear line compared with the 1:1 line (NU = 10%). The high LC and the coefficient of determination of 0.51 (Table 4) can be related to the high variability of observed milk

production on paddocks, which was very noticeable on paddocks 1, 4 and 6.

#### Model behaviour

The milk production curve increased according to the increase in pMP (Fig. 5a). From Day 1 to Day 127, the shapes of all the simulated lactation curves were parallel, except for the 9500 kg/cow/year simulation. The average difference between the different simulations was stable, and estimated at 3.12 kg/cow/day

Table 4. Statistical analysis of the relationship between predicted and observed milk production for Groups 1 and 2 for the winter housing and grazing periods

	Winter trials		Grazing trial
	Group 1	Group 2	
Value (kg MP/cow/day)			
RMSD	1.8	2.1	1.4
MSD	3.1	4.4	2.0
$\bar{P}$	31.9	30.7	21.8
$\bar{O}$	31.4	30.6	21.5
Value (%)			
SB	8.3	0.5	5.0
NU	25.1	66.4	10.1
LC	66.6	33.1	84.9
$R^2$	0.84	0.92	0.51

RMSD, root-mean-squared error; MSD, mean-squared error;  $\bar{P}$ , mean of the predicted value;  $\bar{O}$ , mean of the observed value; SB, squared bias; NU, non-unity slope; LC, lack of correlation;  $R^2$ , coefficient of determination.

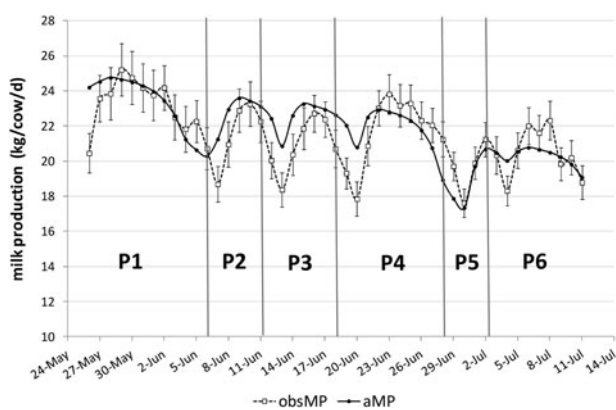


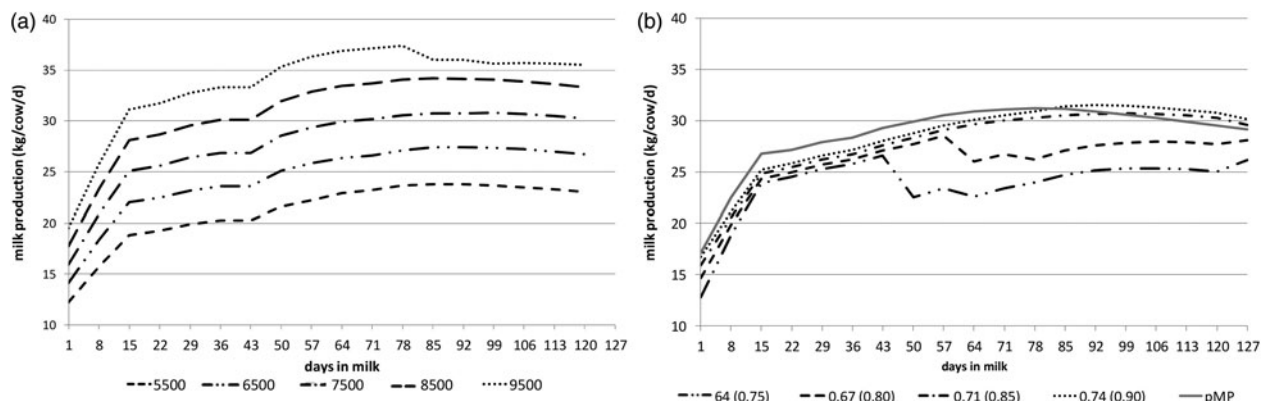
Fig. 4. Comparison between predicted milk production (aMP, —●—) and experimental milk production (obsMP, -□-) on a sequence of six paddocks grazed from 24 May to 11 July. Experimental data are presented with standard error of the mean (S.E.M.)

( $\pm 0.30$ ). The lactation curve corresponding to the 9500 kg/cow/year simulation presented a drop at Day 83. The energy supplied by the diet did not meet the energy needs of the dairy cows. Hence, this drop corresponds to the point of exhaustion of the pool of energy that can be mobilized. From this time onward, aMP was equivalent to diet-allowable milk production.

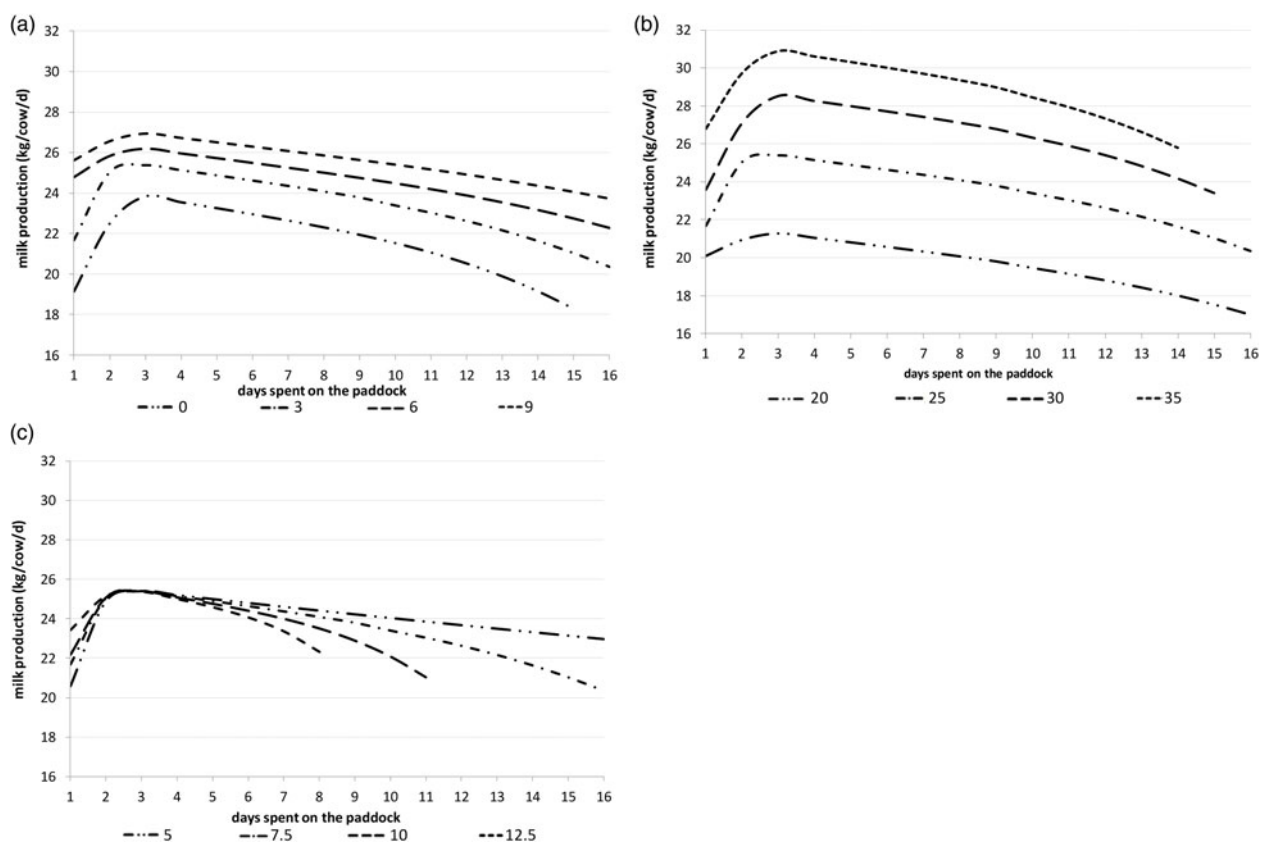
From the first days of lactation, aMP gradually increased, and the higher the digestibility of the basic diet, the higher the milk production (Fig. 5b). However, even for the higher digestibility basic diet (0.74 g/g and 6.462/kg DM), aMP did not reach pMP, consistent with a limited intake capacity

during the first weeks of lactation (Chilliard *et al.* 1987; Reist *et al.* 2002; Faverdin *et al.* 2007a). For the two lowest basic diet digestibility situations (0.64, 0.67 g/g), a drop in milk production occurred during the 6th and the 8th week of lactation, respectively (Day 47 and Day 61). This drop was due to the shut-down of the processes mobilizing body reserves. The lower the basic diet digestibility, the quicker mobilization of body reserves reached its point of exhaustion. Milk production then gradually increased in relation to the increase in intake capacity. For the two highest digestibility diet situations, the same increase occurred, and the difference between aMP and pMP gradually decreased. For the highest digestibility basic diets, a return to energy equilibrium status, characterized by aMP exceeding pMP, was reached between the 11th and 13th weeks of lactation, respectively.

At grazing, the average milk production on the paddock with no concentrates was 21.5 kg/cow/day (pMP = 25 kg cow/day) (Fig. 6a). In this case, energy supply from grass only did not meet the animals' needs, and potential milk production could not be reached. The higher the concentrate supply, the higher the milk production: increasing the amount of concentrates flattened the lactation curve shapes. With a stocking density of 7.5 LU/ha and for the 6 and 9 kg/cow/day of concentrate simulations, the gap between the peak of milk production and the first or last day on the paddock was small compared with the 0 and 3 kg/cow/day situations: the difference between the maxMP and the lowest production day



**Fig. 5.** Model behaviour assessments at winter time: impacts on milk production (aMP, kg/cow/day) of (i) graph a: total potential milk yield per lactation ( $pMP_{total}$ , kg/year); (ii) graph b: digestibility of basic diet forages (dmo g/g (UFL kg/DM)) compared with pMP of 7500 kg/cow/year (—).



**Fig. 6.** Model behaviour assessment at grazing: impact on milk production (aMP, kg/cow/day) of (i) graph a: daily feed concentrate amount ( $Q_c$ , kg/day); (ii) graph b: potential milk production (pMP, kg/cow/day); (iii) graph c: stocking density (LU/ha).

on a paddock was 5.50 kg/cow/day for the simulation with no concentrates, and 3.24 kg/cow/day for the situation where there was 9 kg/cow/day of concentrate fed. Figure 6a shows a non-linear reduction of the response of milk production to an increase in

concentrate feed, with an average increase of 1.81 kg/cow/day between the 0 and the 3 kg/cow/day simulations, 1.26 kg/cow/day between 3 and 6 kg/cow/day, 0.95 kg/cow/day between 6 and 9 kg/cow/day situations. Increasing the concentrate supply at

grazing caused a rise in the number of days spent on the paddock through a reduction of grass intake with 15.9 kg DM/cow/day with no concentrates and 13.8 kg DM/cow/day with a supply of 9 kg/cow/day of concentrates.

The aMP on the same paddock and with the same supplementation was higher with a higher pMP (Fig. 5b). The 20 kg/cow/day of pMP simulation presented a very flat shape compared with the other situations because the diet-allowable milk production was higher than pMP, with an average of 22.4 kg/cow/day. Dairy cows with a pMP of 25 kg/day managed to reach their potential at the peak on the paddock. In contrast, general grass offered on a paddock and 3 kg of supplementation did not allow a dairy cow with a pMP higher than 30 kg/day to produce as much as their pMP. Thus, high-producing cows could not stay on the paddock as long as lower producing ones, as shown by the decrease in the number of days spent on the paddock (Fig. 6b).

Figure 6c shows that average milk production on a paddock was not sensitive to an increase in the stocking density, with almost the same average milk production on the paddock (23.7 kg/cow/day,  $\pm 0.37$ ). The peak of milk production on the paddock (maxMP) was identical for all situations (25.4 kg/cow/day,  $\pm 0.01$ ): maxMP represents the potential milk production given by grass offered on the paddock for dairy cows with the same characteristics. The number of days spent on the paddock decreased along with a rise in the stocking density due to a greater amount of grass ingested per day at the herd scale.

## DISCUSSION

The featured model, in line with the modelling objectives, succeeded in predicting milk responses according to (i) potential production of cattle and their characteristics; and (ii) herbage, forage and concentrate supply, depending on the farmer's management. Considering that dairy cows are not necessarily fed in relation to their energy requirements, the model manages to simulate milk responses to variations in energy offered at different time scales. The model integrates two different feeding systems: a winter period, characterized by a constant day-to-day diet offered, in quantity and quality, and a grazing period, determined by high variation in grass offered. This ability to predict milk responses in rotational grazing management is allowed by strong interactions between

evolution of sward characteristics and grass intake, and the animal's ability to mobilize or restore body reserves in the short term.

## Model validation

In validation tests on winter and on grazing periods, the model manages to predict milk responses with a satisfactory accuracy of 1.8 and 2.1 kg MP/cow/day for the in-door feeding period and 1.4 for the grazing period (RMSD, Table 4). The accuracy of prediction is in the same range as similar models. If our model's accuracy is expressed by the RPE defined by the positive square root of the mean square prediction and formulated as a percentage of the mean of actual values (Fuentes-Pila *et al.* 1996; Baudracco *et al.* 2012), the RPE values for the two winter trials are 5.7 and 6.9%, and 6.5% for grazing trials. Fuentes-Pila *et al.* (1996) considers that an RPE value lower than 10% is a good indication of satisfactory prediction. In comparison, models developed for formulated diets such as the NRC model (National Research Council Nutrient Requirements of Dairy Cattle) and the CNCPS model (Cornell Net Carbohydrate and Protein System) predict diet-allowable milk production with an accuracy of 5.42 and 4.77 kg/day, respectively (Tedeschi *et al.* 2006). For these two models, the coefficient of determination,  $R^2$ , is 0.90 and 0.85, respectively, compared with 0.84 and 0.92 for the two winter trials for the current model. Milk prediction models at grazing also have the same range of accuracy predictions as that considered in the present paper: for instance the e-Cow model, with an RPE of 15.4 and 18.0% for two trials on 300 days in milk (Baudracco *et al.* 2012), and the Graz'In model on 206 experimental herds with an RPE of 3.12 kg/day or 13.7% (Delagarde *et al.* 2011b). The RPE value of the current model is lower than the others, certainly owing to a validation process carried out in a shorter time (127 days of lactation for winter trials and 47 days for the grazing trial) and on only three herds.

Concerning the MSD breakdown, the plot rotation is mainly due to the model's difficulty simulating milk production during the first week of lactation, with a difference between predicted and observed data of 6.6 kg/cow/day for the first in-door feeding trial and 5.5 kg/cow/day for the second one. However, these predicted values are close to the pMP values. These differences occur only during the first week of lactation, and disappear as soon as

the second week of lactation is reached. If the first week of lactation is excluded from the statistical analysis, the REP of the current model is 3.4 and 4.6%, respectively, for the two winter trials. The rest of the non-adjusted part of the model predictions can be explained by (i) the *per se* inability of the model to simulate individual variability of milk production responses; and (ii) the difficulty estimating pMPmax from experimental milk production. Indeed, pMPmax is calculated from the animal's genetic potential which is estimated. The estimation was particularly difficult to carry out for the second in-door feeding trial when the dairy cows were not fed to the same level as their theoretical requirements. Hence, pMPmax and pMP are both key variables in the mechanisms of milk production response developed in the current model.

At grazing, the MSD breakdown indicates that the model prediction presents a low bias and a small rotation of the linear line compared with the 1:1 line. It indicates that the model structure seems coherent and consistent. The deviation between predicted and experimental values is mainly linked to a marked lack of correlation due to the close relationships between sward characteristics, intake and milk production. Difficult estimations and adjustments were carried out to define sward characteristic parameters from the available experimental data of the grazing trial, such as a reckoning of the standing biomass at ground level, and the density and growth rate of the sward. Another explanation of this discrepancy could be that the intake mechanisms described in the model do not take into account the interface between vegetation, animal behaviour mechanisms and animal diversity as described by Baumont *et al.* (2004) for small ruminants or by Rook *et al.* (1994) and Kondo (2011). Despite the difficulty of predicting a satisfactory drop in milk yields during the transition between two paddocks, the model manages to simulate milk responses in relation to variable levels of grass offered and typical shapes of lactation curves in rotational grazing management, as described by Hoden *et al.* (1991), Delaby *et al.* (2003a) or Roca-Fernández *et al.* (2012).

Model behaviour and milk responses to constant diet

Results of simulations testing model behaviour by analysing the effect of potential milk yield per lactation and digestibility of the basic diet on milk production (Fig. 5) indicate that the model manages to predict

and reproduce the lactation curve shape of dairy cattle, similar to the results of Olori *et al.* (1999) and Grossman & Koops (2003), including the beginning of lactation with mechanisms mobilizing body reserves.

Enhancing the potential milk yield per lactation implies an increase in actual milk production, for the same concentrate supply and the same quality forage offer (*ad libitum*), with an average of 35.5 kg/cow/day for the highest yield level against 22.5 kg/cow/day for the lowest, for 127 days of lactation. Hence the high-yield dairy cows are more productive even if they do not produce as much as their potential could allow and need to mobilize more body reserves than the lower producing cows. A higher level of mobilization of body reserves is attested by the drop in milk production at day 83 for the 9500 potential yield simulation, which represents the point of exhaustion of the energy pool that can be mobilized. These simulations indicate that for an average quality diet based on pasture-based forages (6.103 MJ/kg DM for basic diet and 1200 kg/cow/year, that is to say, c. 5.5 kg/cow/day), only dairy cows with a potential of 5500 kg/year exceed their potential yield, and those with a potential of 6500 and 7500 can produce almost as much as their potential yield (the average daily difference between aMP and pMP is respectively -0.3 and -0.76 kg/cow/day). This finding relies on a herbage-based diet with lower energy density than other forages such as maize silage (6.54 MJ/LFU for this basic herbage diet against 7.32 MJ/LFU of density for excellent maize silage). These results indicate that pasture-based forage characteristics imply a limitation to high milk production through a reduction of intake level compared with better forages.

Simulations testing the effect of forage diet digestibility on milk production, with all parameters of production and concentrate supply being equal, indicate that predicted milk responses are sensitive to forage quality. For all the tested digestibility values, even the excellent one (0.74 g/g OMD and 6.462 MJ/kg DM), dairy cows never manage to produce as much as their potential during the first weeks of lactation, as described by Reist *et al.* (2002) and Remppis *et al.* (2011). When forage digestibility is satisfactory, the end of body reserve mobilization and a return to a positive energy balance occur after the peak of lactation, which is at the beginning of the second part of lactation. These results agree with the findings of Buttchereit *et al.* (2010) and Gross *et al.* (2011),



where the transition from body reserve mobilization to restoration occurred between 1.5 and 3 months *post-partum*. Only the situation with a 0.74 g/g OMD (6.462 MJ/kg DM) basic diet enables dairy cows to produce as much as their potential with an average daily difference between aMP and pMP of 0.24 kg/cow/day and between energy intake and theoretical animal requirements of 0.0718 MJ/cow/day (theoretical animal requirements are an assessment of the energy required to produce the same amount of milk as pMP and to cover maintenance, growth and gestation needs). Increasing digestibility of the basic diet when all parameters are equal implies an increase in milk production with a linear relationship through a linear increase in energy intake. This relationship between milk production and forage digestibility is linear until the point where energy supply from the diet meets animal needs. Afterwards, this increase is attenuated. This model behaviour response agrees with the experimental results of Coulon & Rémond (1991) who found a curvilinear response between energy supply and milk production for long-term trials (up to 40 weeks of lactation). The same kind of curvilinear relationship was also found by Brun-Lafleur *et al.* (2010) for a diet with a balanced supply between energy and protein. In the case of negative protein balance, they found that the response of milk yield to energy supply was zero.

#### Model behaviour and milk responses to variable diet

Results of simulations (Fig. 6) testing the model's behaviour at grazing indicates that the model is able to predict milk responses in cases of different productive characteristics of dairy cows and variable diets offered through the farmer's management.

Concerning the simulation studying the effects of stocking density on milk production, these indicate that the average of daily milk production hardly varies. This first conclusion contradicts the experimental results for the study of different stocking rate levels (Peyraud & Delaby 2005; McCarthy *et al.* 2011). McCarthy *et al.* (2011) argue that the increasing stocking rate implies a decrease in grass offered with an increase in the quality of grass intake, and finally an effect on milk responses. Even so, the model steers the grazing according to simplified rotational management rules that trigger paddock changes to control grass offered in quantity and quality. According to this way of managing grazing, increasing stocking density on a paddock only affects the time spent on

the paddock by decreasing it through a higher level of biomass ingested per day. Simulations indicate that increasing stocking density makes it possible to considerably intensify milk yields per hectare (119 kg/ha for 5 LU/ha and 302 kg/ha for 12.5 LU/ha treatments). This range of increase corroborates the results of McCarthy *et al.* (2011) and Hoden *et al.* (1991).

Simulations testing different potential milk production with the same concentrate supplementation indicate that milk production is sensitive to the pMP level. With 3 kg of supplementation, only dairy cows with a pMP lower than 25 kg/day can produce as much at the same level as their pMP. This result agrees with those of Peyraud & Delaby (2005), who demonstrate that pasture with a very low supplementation does not enable dairy cows to produce as much as their pMP. These simulations have shown that increasing the pMP of dairy cows at grazing implies incurred lactation curves at the paddock scale. These results confirm the findings of Roca-Fernández *et al.* (2012) testing milk performance of two cow breeds, Holstein-Friesian v. Normande on the same paddocks. Holstein-Friesian cows, which produce significantly more than Normande cows, presented a greater difference between maxMP and the last-day milk production than Normande cows (-6.2 v. -4.7 kg/cow).

Simulations testing an increase in concentrate supplies at grazing show that a non-linear increase in milk responses with efficiencies of 0.60 kg extra milk per kg of concentrates between 0 and 3 kg of concentrates supply and 0.32 kg extra milk per kg of concentrates between 6 and 9 kg simulations. The non-linear relation between milk response and increase in concentrate supplementation agrees with further results that found a curvilinear relationship (Bargo *et al.* 2003; Auldist *et al.* 2013). The efficiency of 0.60 kg of extra milk per kg of concentrate is lower than the data given by a review carried out by Delaby *et al.* (2003b) (0.74 kg extra milk per kg of concentrates), higher than the results of Dillon *et al.* (1997) and consistent with the results of Hoden *et al.* (1991) (0.6 kg milk per kg concentrates) for similar productive characteristics of dairy cows. The low efficiency and the small difference in milk production of 0.95 kg/cow/day between the 6 and the 9 kg/cow/day of concentrate situation is due to a considerably higher diet-allowable milk production than the pMP (30.4 v. 25 kg/cow/day); extra energy is then used to restore body reserves. This agreed with the relationship between concentrate efficiency and potential milk

production (Hoden *et al.* 1991; Bargo *et al.* 2003). Regarding the different shapes of milk production lines on a paddock, their flattening linked to the increase in the supplementation is due to the fact that increasing concentrate supply at grazing implies an increase in total dry matter intake and a decrease in grass intake considering the substitution rate between grass and concentrates (Delaby *et al.* 2003b; McEvoy *et al.* 2008). Roca-Fernández *et al.* (2012) in an experimental trial studying two levels of supplementation under simplified rotational grazing system conditions showed that the difference between milk production for the last day in the paddock and the maxMP was significantly lower for the group of cows fed concentrate (4 kg/cow/day) than for the non-supplemented ones. Hence raising the supplementation reduces the sensitivity of milk production response to the variation of grass offer from one day to another.

## CONCLUSIONS

The current results show that the model manages to predict milk production in the context for which it was designed, i.e. intake and milk production of dairy cows in relation to the diet offered in the grass-based systems. The model shows a satisfactory accuracy, considering that diet composition is balanced between energy and protein supplies. Further development of the model could focus on the 'protein path' through a consideration of protein supply in grass, forage and concentrate feed, and interactions between energy and protein supplies on milk yield. These developments could also allow prediction of milk composition. Considering the original construction of this model, which takes into account (i) the differences between primiparous and multiparous and the lactating status of dairy cows (beginning *v.* second part of lactation); and (ii) the fact that milk production is sensitive to variation in feed and herbage offered, the model is able to predict lactation curves at the herd scale under a wide range of different feeding situations. Dynamilk, a model at the farm scale, in addition to the present animal model, includes a dairy herd demographic and a farmer's management sub-model. Dynamilk offers a relevant tool for applied research and extension purposes to assess the possible trade-offs between milk production, feed and forage self-sufficiency and grassland use.

This work was financed by VetAgro Sup and INRA Animal Physiology and Livestock Systems division.

The authors thank the referees for their valuable comments that allowed the manuscript to be improved and Wendy Brand-Williams for the final revision of English.

## REFERENCES

- AULDIST, M. J., MARETT, L. C., GREENWOOD, J. S., HANNAH, M., JACOBS, J. L. & WALES, W. J. (2013). Effects of different strategies for feeding supplements on milk production responses in cows grazing a restricted pasture allowance. *Journal of Dairy Science* **96**, 1218–1231.
- BARGO, F., MULLER, L. D., KOLVER, E. S. & DELAHOY, J. E. (2003). Invited review: production and digestion of supplemented dairy cows on pasture. *Journal of Dairy Science* **86**, 1–42.
- BAUDRACCO, J., LOPEZ-VILLALOBOS, N., HOLMES, C. W., COMERON, E. A., MACDONALD, K. A., BARRY, T. N. & FRIGGENS, N. C. (2012). e-Cow: an animal model that predicts herbage intake, milk yield and live weight change in dairy cows grazing temperate pastures, with and without supplementary feeding. *Animal* **6**, 980–993.
- BAUMONT, R., COHEN-SALMON, D., PRACHE, S. & SAUVANT, D. (2004). A mechanistic model of intake and grazing behaviour in sheep integrating sward architecture and animal decisions. *Animal Feed Science and Technology* **112**, 5–28.
- BAUMONT, R., DULPHY, J. -P., SAUVANT, D., MESCHY, F., AUFRÈRE, J. & PEYRAUD, J. -L. (2007). Valeur alimentaire des fourrages et des matières premières: tables et prévision. In *Alimentation des Bovins, Ovins et Caprins - Besoins des Animaux - Valeur des Aliments - Tables INRA 2007* (Ed. J. Agabriel), pp. 150–180. Paris, France: Editions Quae.
- BERNUÈS, A., RUIZ, R., OLAIZOLA, A., VILLALBA, D. & CASASUS, I. (2011). Sustainability of pasture-based livestock farming systems in the European Mediterranean context: synergies and trade-offs. *Livestock Science* **139**, 44–57.
- BEUKES, P. C., PALLISER, C. C., MACDONALD, K. A., LANCASTER, J. A. S., LEVY, G., THORROLD, B. S. & WASTNEY, M. E. (2008). Evaluation of a whole-farm model for pasture-based dairy systems. *Journal of Dairy Science* **91**, 2353–2360.
- BOCQUIER, F. & GONZÁLEZ-GARCÍA, E. (2009). Sustainability of ruminant agriculture in the new context: feeding strategies and features of animal adaptability into the necessary holistic approach. *Animal* **4**, 1258–1273.
- BRUN-LAFLEUR, L., DELABY, L., HUSSON, F. & FAVERDIN, P. (2010). Predicting energy x protein interaction on milk yield and milk composition in dairy cows. *Journal of Dairy Science* **93**, 4128–4143.
- BRUN-LAFLEUR, L., CUTULLIC, E., FAVERDIN, P., DELABY, L. & DISENHAUS, C. (2013). An individual reproduction model sensitive to milk yield and body condition in Holstein dairy cows. *Animal* **7**, 1332–1343.
- BUTTCHEREIT, N., STAMER, E., JUNGE, W. & THALLER, G. (2010). Evaluation of five lactation curve models fitted for fat: protein ratio of milk and daily energy balance. *Journal of Dairy Science* **93**, 1702–1712.
- CHARDON, X., RIGOLOT, C., BARATTE, C., ESPAGNOL, S., RAISON, C., MARTIN-CLOUAIRE, R., RELIER, J. P., LE GALL, A., DOURMAD, J. Y., PIQUEMAL, B., LETERME, P., PAILLAT, J. M.,

- DELABY, L., GARCIA, F., PEYRAUD, J.L., POUPA, J.C., MORVAN, T. & FAVERDIN, P. (2012). MELODIE: a whole-farm model to study the dynamics of nutrients in dairy and pig farms with crops. *Animal* **6**, 1711–1721.
- CHILLIARD, Y., REMOND, B., AGABRIEL, J., ROBELIN, J. & VERITE, R. (1987). Variations du contenu digestif et des réserves corporelles au cours du cycle gestation–lactation. *Bulletin Technique C.R.Z.V. Theix* **70**, 117–131.
- COULON, J. B. & RÉMOND, B. (1991). Variations in milk output and milk protein-content in response to the level of energy supply to the dairy-cow – a review. *Livestock Production Science* **29**, 31–47.
- CROS, M. -J., DURU, M., GARCIA, F., GRASSET, M., LEGALL, A., MARTIN-CLOUAIRE, R., PEYRE, D., DELABY, L., FIORELLI, J. -L. & PEYRAUD, J. -L. (2000). Evaluation d'un simulateur de stratégies de pâturage de vaches laitières. *3R (Rencontres autour des Recherches sur les Ruminants)* **7**, 333–336.
- DELABY, L., FAVERDIN, P., MICHEL, G., DISENHAUS, C. & PEYRAUD, J. L. (2009). Effect of different feeding strategies on lactation performance of Holstein and Normande dairy cows. *Animal* **3**, 891–905.
- DELABY, L., LEURENT, S., GALLARD, Y. & SCHMITT, T. (2010). Effet de la race, de la parité, du potentiel laitier et de l'état au vêlage sur l'évolution de l'état corporel des vaches laitières au cours de la lactation. *3R (Rencontres autour des Recherches sur les Ruminants)* **17**, 260.
- DELABY, L., PEYRAUD, J. L. & FAVERDIN, P. (2001). Pâtur'IN: le pâturage des vaches laitières assistés par ordinateur. *Fourrages* **167**, 385–398.
- DELABY, L., PEYRAUD, J. -L., FOUCHER, N. & MICHEL, G. (2003a). The effect of two contrasting grazing managements and level of concentrate supplementation on the performance of grazing dairy cows. *Animal Research* **52**, 437–460.
- DELABY, L., PEYRAUD, J. L. & DELAGARDE, R. (2003b). Is it necessary to supplement dairy cows at grazing? *INRA Productions Animales* **16**, 183–195.
- DELAGARDE, R., FAVERDIN, P., BARATTE, C. & PEYRAUD, J. L. (2011a). Grazeln: a model of herbage intake and milk production for grazing dairy cows. 2. Prediction of intake under rotational and continuously stocked grazing management. *Grass and Forage Science* **66**, 45–60.
- DELAGARDE, R., VALK, H., MAYNE, C. S., ROOK, A. J., GONZÁLEZ-RODRÍGUEZ, A., BARATTE, C., FAVERDIN, P. & PEYRAUD, J. L. (2011b). Grazeln: a model of herbage intake and milk production for grazing dairy cows. 3. Simulations and external validation of the model. *Grass and Forage Science* **66**, 61–77.
- DILLON, P., CROSSE, S., STAKELUM, G. & FLYNN, F. (1995). The effect of calving date and stocking rate on the performance of spring-calving dairy cows. *Grass and Forage Science* **50**, 286–299.
- DILLON, P., CROSSE, S. & O'BRIEN, B. (1997). Effect of concentrate supplementation of grazing dairy cows in early lactation on milk production and milk processing quality. *Irish Journal of Agricultural and Food Research* **36**, 145–159.
- DULPHY, J., FAVERDIN, P. & JARRIGE, R. (1989). Feed intake: the fill unit systems. In *Ruminant Nutrition: Recommended Allowances and Feed Tables* (Ed. R. Jarrige), pp. 61–71. Paris, France: INRA & John Libbey Eurotext.
- FARRUGGIA, A., POMIES, D., BETHIER, D., TROQUIER, O., LE BEC, G., PACCARD, P., BAUMONT, B. & PRADEL, P. (2010). Balance between production and biodiversity in two upland dairy grazing systems. In *Grassland in a Changing World: Proceedings of the 23<sup>rd</sup> General Meeting of the European Grassland Federation* (Eds H. Schnyder, J. Isselstein, F. Taube, K. Auerswald, J. Schellberg, M. Wachendorf, A. Herrmann, M. Gierus, N. Wrage & A. Hopkins), pp. 940–942. Grassland Science in Europe no. 15. Kiel, Germany: European Grassland Federation and Arbeitsgemeinschaft Grünland und Futterbau der Gesellschaft für Pflanzenbauwissenschaften.
- FAVERDIN, P., DELABY, L. & DELAGARDE, R. (2007a). L'ingestion d'aliments par les vaches laitières et sa prévision au cours de la lactation. *INRA Productions Animales* **20**, 151–162.
- FAVERDIN, P., DELAGARDE, R., DELABY, L. & MESCHY, F. (2007b). Alimentation des vaches laitières. In *Alimentation des Bovins, Ovins et Caprins - Besoins des Animaux - Valeur des Aliments - Tables INRA 2007* (Ed. J. Agabriel), pp. 23–57. Paris, France: Editions Quae.
- FAVERDIN, P., BARATTE, C., DELAGARDE, R. & PEYRAUD, J. L. (2011). Grazeln: a model of herbage intake and milk production for grazing dairy cows. 1. Prediction of intake capacity, voluntary intake and milk production during lactation. *Grass and Forage Science* **66**, 29–44.
- FAVERDIN, P., DELAGARDE, R., DELABY, L. & MESCHY, F. (2010). Alimentation des vaches laitières. In *Alimentation des Bovins, Ovins et Caprins - Besoins des Animaux - Valeur des Aliments - Tables INRA 2010* (Ed. J. Agabriel), pp. 23–59. Versailles: Editions Quae.
- FRIGGENS, N. C. & NEWBOLD, J. R. (2007). Towards a biological basis for predicting nutrient partitioning: the dairy cow as an example. *Animal* **1**, 87–97.
- FUENTES-PILA, J., DELORENZO, M. A., BEEDE, D. K., STAPLES, C. R. & HOLTER, J. B. (1996). Evaluation of equations based on animal factors to predict intake of lactating Holstein cows. *Journal of Dairy Science* **79**, 1562–1571.
- GARCIA, S. C. & HOLMES, C. W. (2001). Lactation curves of autumn- and spring-calved cows in pasture-based dairy systems. *Livestock Production Science* **68**, 189–203.
- GAUCH, H. G., HWANG, J. T. G. & FICK, G. W. (2003). Model evaluation by comparison of model-based predictions and measured values. *Agronomy Journal* **95**, 1442–1446.
- GROSS, J., VAN DORLAND, H. A., BRUCKMAIER, R. M. & SCHWARZ, F. J. (2011). Performance and metabolic profile of dairy cows during a lactational and deliberately induced negative energy balance with subsequent re-implementation. *Journal of Dairy Science* **94**, 1820–1830.
- GROSSMAN, M. & KOOPS, W. J. (2003). Modeling extended lactation curves of dairy cattle: a biological basis for the multiphasic approach. *Journal of Dairy Science* **86**, 988–998.
- HODEN, A., PEYRAUD, J. L., MULLER, A., DELABY, L. & FAVERDIN, P., with PECCATTE, J. R. & FARGETON, M. (1991). Simplified rotational grazing management of dairy-cows – effects of rates of stocking and concentrate. *Journal of Agricultural Science, Cambridge* **116**, 417–428.
- JARRIGE, R. (1989). *Ruminant Nutrition: Recommended Allowances and Feed Tables*. London: John Libbey Eurotext.

- JACQUOT, A. L., BAUMONT, R. & BRUNSCHWIG, G. (2012). Dynamilk: a farming system model to explore the balance between forage and milk production in grassland based systems. In *Producing and Reproducing Farming Systems: New Modes of Organization for Sustainable Food Systems of Tomorrow, The 10th European IFSA Symposium, 1–4 July 2012 in Aarhus, Denmark* pp. 1–11. Aarhus, Denmark: IFSA Europe and the Swedish University of Agricultural Sciences. Available online from: <http://ifsa.boku.ac.at/cms/index.php?id=132> (accessed October 2014).
- JOUVEN, M., CARRÈRE, P. & BAUMONT, R. (2006a). Model predicting dynamics of biomass, structure and digestibility of herbage in managed permanent pastures. 1. Model description. *Grass and Forage Science* **61**, 112–124.
- JOUVEN, M., CARRÈRE, P. & BAUMONT, R. (2006b). Model predicting dynamics of biomass, structure and digestibility of herbage in managed permanent pastures. 2. Model evaluation. *Grass and Forage Science* **61**, 125–133.
- KONDO, S. (2011). Recent progress in the study of behavior and management in grazing cattle. *Animal Science Journal* **82**, 26–35.
- KONGGAARD, S. P. (1977). Comparison between conventional tie-barn and loose housing systems with respect to milk production, feed conversion and reproductive performance of dairy cows. *Livestock Production Science* **4**, 69–77.
- LANGLANDS, J. P. & SUTHERLAND, H. A. M. (1968). An estimate of the nutrients utilized for pregnancy by Merino sheep. *British Journal of Nutrition* **22**, 217–227.
- MARTIN, O. & SAUVANT, D. (2010a). A teleonomic model describing performance (body, milk and intake) during growth and over repeated reproductive cycles throughout the lifespan of dairy cattle. 1. Trajectories of life function priorities and genetic scaling. *Animal* **4**, 2030–2047.
- MARTIN, O. & SAUVANT, D. (2010b). A teleonomic model describing performance (body, milk and intake) during growth and over repeated reproductive cycles throughout the lifespan of dairy cattle. 2. Voluntary intake and energy partitioning. *Animal* **4**, 2048–2056.
- MCCALL, D. G. & CLARK, D. A. (1999). Optimized dairy grazing systems in the Northeast United States and New Zealand. II. System analysis. *Journal of Dairy Science* **82**, 1808–1816.
- MCCARTHY, B., DELABY, L., PIERCE, K. M., JOURNOT, F. & HORAN, B. (2011). Meta-analysis of the impact of stocking rate on the productivity of pasture-based milk production systems. *Animal* **5**, 784–794.
- MCEVOY, M., KENNEDY, E., MURPHY, J. P., BOLAND, T. M., DELABY, L. & O'DONOVAN, M. (2008). The effect of herbage allowance and concentrate supplementation on milk production performance and dry matter intake of spring-calving dairy cows in early lactation. *Journal of Dairy Science* **91**, 1258–1269.
- MOSELEY, J. E., COPPOCK, C. E. & LAKE, G. B. (1976). Abrupt changes in forage-concentrate ratios of complete feeds fed ad libitum to dairy cows. *Journal of Dairy Science* **59**, 1471–1483.
- OLORI, V. E., BROTHERSTONE, S., HILL, W. G. & MCGUIRK, B. J. (1999). Fit of standard models of the lactation curve to weekly records of milk production of cows in a single herd. *Livestock Production Science* **58**, 55–63.
- PEYRAUD, J. L. & DELABY, L. (2005). Combiner la gestion optimale du pâturage et les performances des vaches laitières: enjeux et outils. *INRA Productions Animales* **18**, 231–240.
- POMIÈS, D., BAUMONT, R., EGAL, D. & RÉMOND, B. (2008). L'utilisation d'ensilage d'herbe et de foin de haute qualité chez des vaches en monotraite permet de supprimer le concentré avec une perte de lait limitée. *3R (Rencontres autour des Recherches sur les Ruminants)* **15**, 179.
- POMIÈS, D., CARÉ, S. & VEISSIER, I. (2010). Monotraite combinée à l'allaitement chez les vaches Prim'Holstein. *3R (Rencontres autour des Recherches sur les Ruminants)* **17**, 233–236.
- REIST, M., ERDIN, D., VON EUW, D., TSCHUEMPEL, K., LEUENBERGER, H., CHILLIARD, Y., HAMMON, H. M., MOREL, C., PHILIPONA, C., ZBINDEN, Y., KUENZLI, N. & BLUM, J. W. (2002). Estimation of energy balance at the individual and herd level using blood and milk traits in high-yielding dairy cows. *Journal of Dairy Science* **85**, 3314–3327.
- REMPPISS, S., STEINGASS, H., GRUBER, L. & SCHENKEL, H. (2011). Effects of energy intake on performance, mobilization and retention of body tissue, and metabolic parameters in dairy cows with special regard to effects of prepartum nutrition on lactation—a review. *Asian-Australasian Journal of Animal Science* **24**, 540–572.
- ROCA-FERNÁNDEZ, A., GONZÁLEZ-RODRÍGUEZ, A., LEURENT, S., LÓPEZ-MOSQUERA, M., GALLARD, Y. & DELABY, L. (2012). Milk performance of two cow breeds at two levels of supplementation in long residence time grazing paddocks. In *Grassland: a European Resource? Proceedings of the 24th General Meeting of the European Grassland Federation, Lublin, Poland, 3–7 June 2012* (Eds P. Goliński, M. Warda & P. Stypiński), pp. 267–269. Grassland Science in Europe no. 17. Poznań, Poland: European Grassland Federation and the Polish Grassland Society.
- ROOK, A. J., HUCKLE, C. A. & PENNING, P. D. (1994). Effects of sward height and concentrate supplementation on the ingestive behaviour of spring-calving dairy cows grazing grass-clover swards. *Applied Animal Behaviour Science* **40**, 101–112.
- ROTZ, C. A., MERTENS, D. R., BUCKMASTER, D. R., ALLEN, M. S. & HARRISON, J. H. (1999). A dairy herd model for use in whole farm simulations. *Journal of Dairy Science* **82**, 2826–2840.
- SCHILS, R. L. M., DE HAAN, M. H. A., HEMMER, J. G. A., VAN DEN POL-VAN DASSELAAR, A., DE BOER, J. A., EVERS, A. G., HOLSHOF, G., VAN MIDDELKOOP, J. C. & ZOM, R. L. G. (2007). DairyWise, a whole-farm dairy model. *Journal of Dairy Science* **90**, 5334–5346.
- TEDESCHI, L. O., SEO, S., FOX, D. G. & RUIZ, R. (2006). Accounting for energy and protein reserve changes in predicting diet-allowable milk production in cattle. *Journal of Dairy Science* **89**, 4795–4807.
- VAYSSIÈRES, J., GUERRIN, F., PAILLAT, J. -M. & LECOMTE, P. (2009). GAMEDE: a global activity model for evaluating the sustainability of dairy enterprises Part I—Whole-farm dynamic model. *Agricultural Systems* **101**, 128–138.