



HAL
open science

Dynamics of energy reserves in a generic cell

Masoomeh Taghipoor, Jaap J. van Milgen, Florence Gondret

► **To cite this version:**

Masoomeh Taghipoor, Jaap J. van Milgen, Florence Gondret. Dynamics of energy reserves in a generic cell. 9. European Conference on Mathematical and Theoretical Biology (ECMTB), 2014, Göteborg, Sweden. , 2014, Abstracts of the 9th European Conference on Mathematical and Theoretical Biology. hal-01210685

HAL Id: hal-01210685

<https://hal.science/hal-01210685>

Submitted on 3 Jun 2020

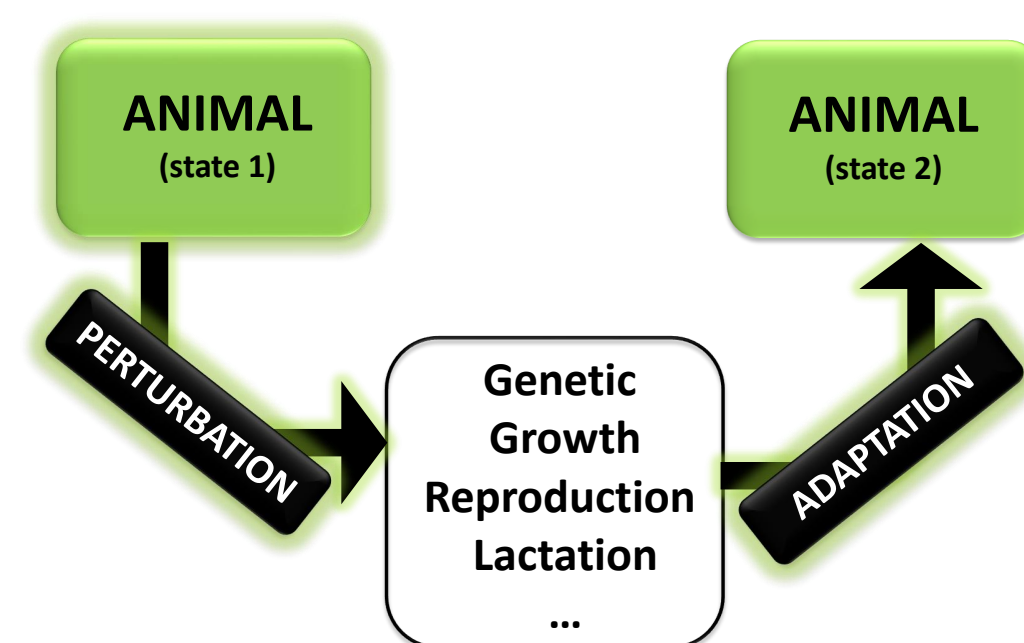
HAL is a multi-disciplinary open access archive for the deposit and dissemination of scientific research documents, whether they are published or not. The documents may come from teaching and research institutions in France or abroad, or from public or private research centers.

L'archive ouverte pluridisciplinaire **HAL**, est destinée au dépôt et à la diffusion de documents scientifiques de niveau recherche, publiés ou non, émanant des établissements d'enseignement et de recherche français ou étrangers, des laboratoires publics ou privés.

INTRODUCTION

Faced with environmental constraints (nutritional, pathogens and disease, climate), animal modifies its energy metabolism at a cellular scale to guarantee its homeostasis. For example, in the case of nutritional challenges, the energy stocks are mobilized to produce the required energy for animal. In this study, we investigate the plasticity of the energy reserves

at cellular scale according to nutrient inputs and energy needs.



NUMERICAL SIMULATIONS

Continuous entry of 100 glucose during 100 minutes is considered. Three levels of ATP need have been compared: (a) no energy need, (b) 0.1 ATP per minute and (c) 1 ATP per minute during 1500 minutes of simulation time for the model.

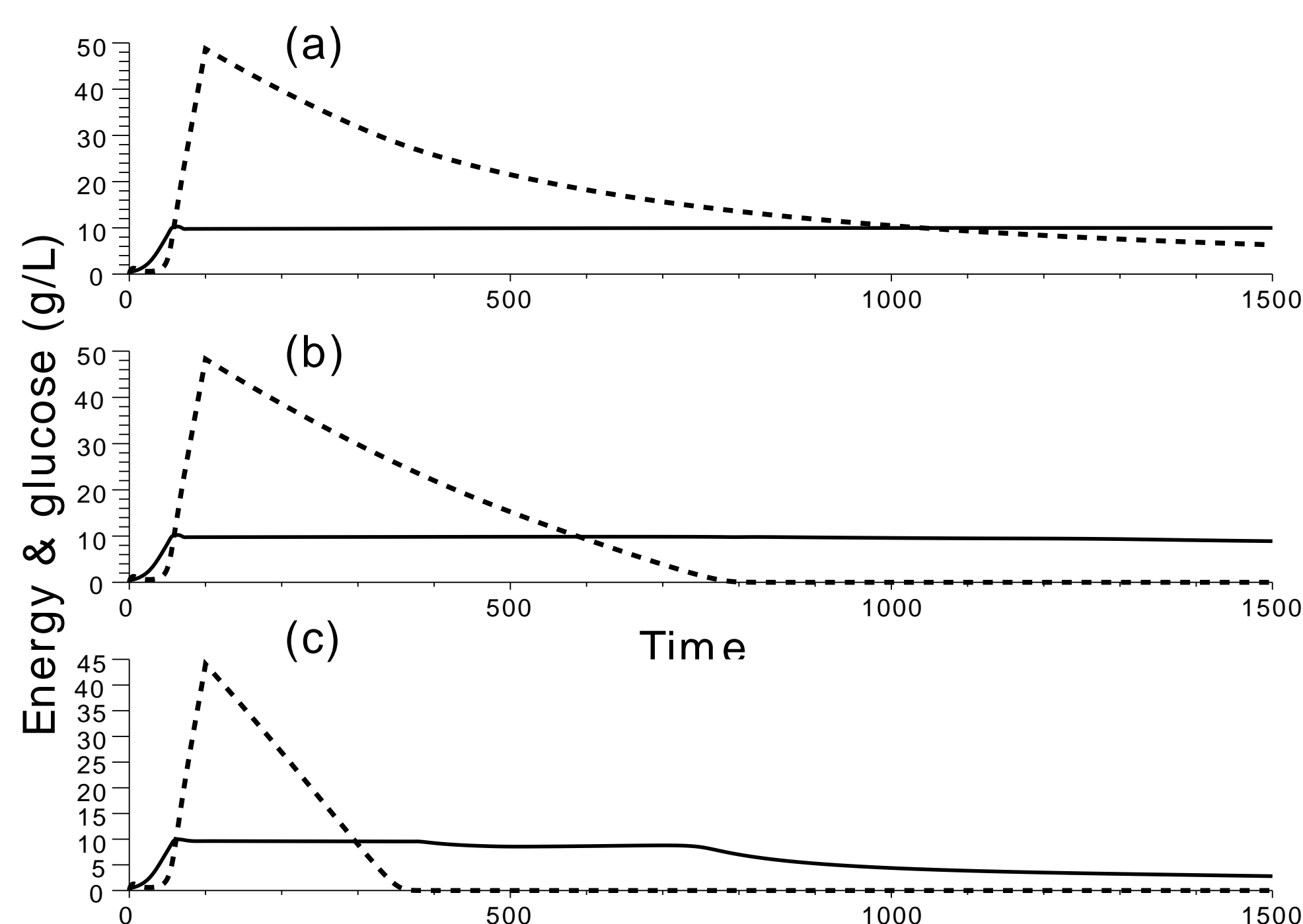


Figure 1: glucose (...) and energy (-)

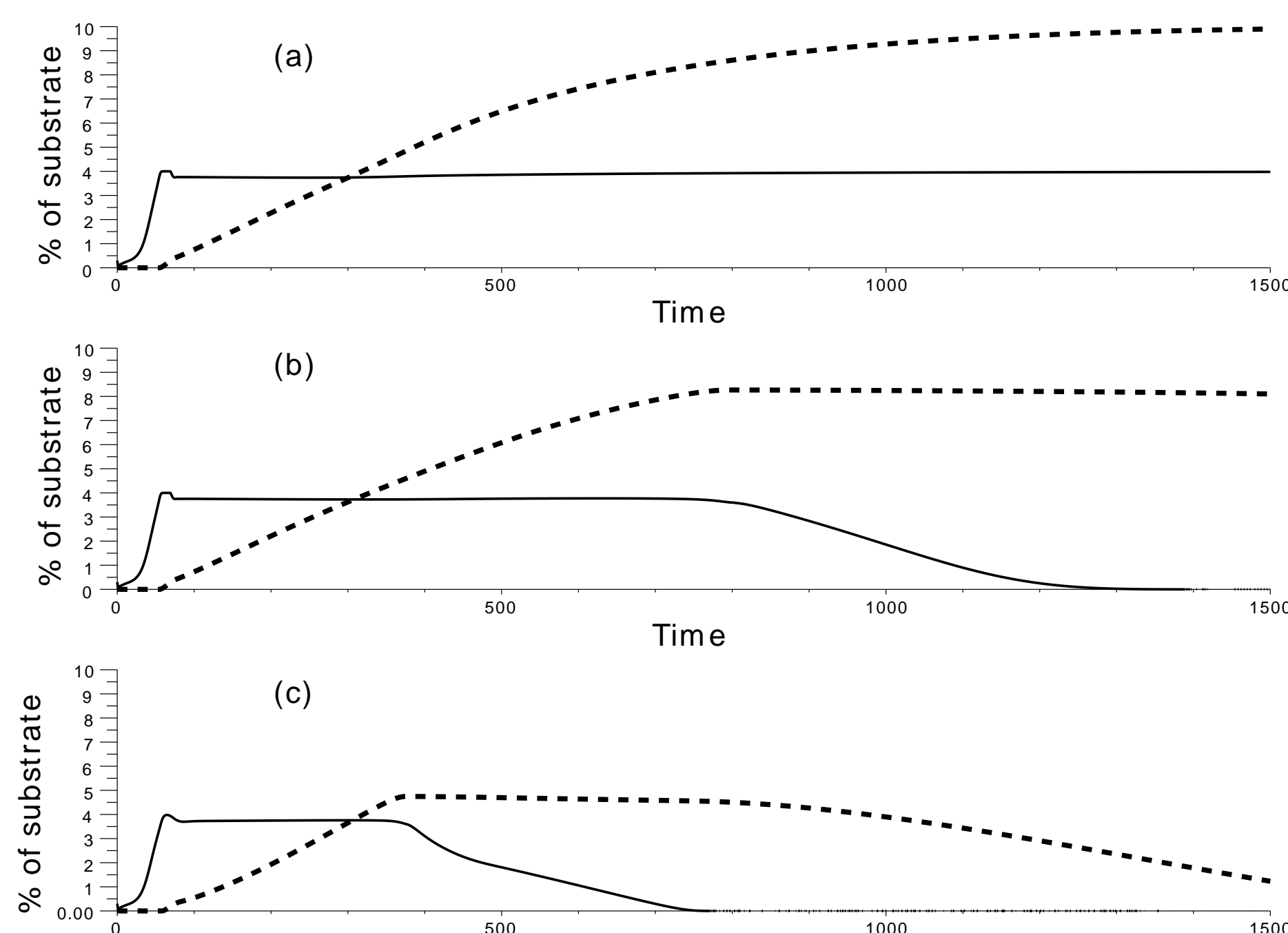
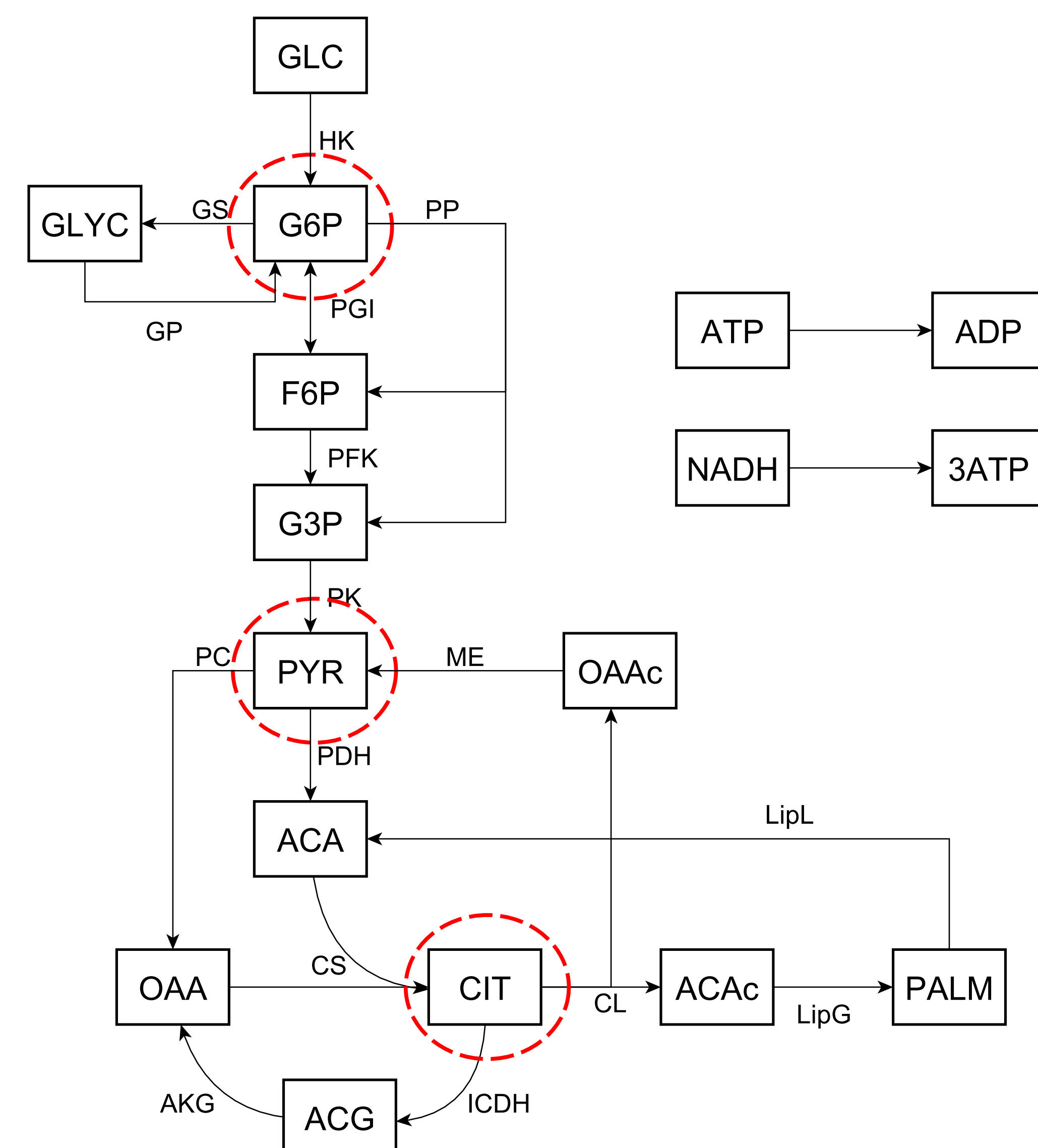


Figure 2: glycogen (-) and lipids (...)

MATHEMATICAL MODELLING

A dynamic model has been developed to observe the evolution of energy stocks in a generic cell. Taking into account the main regulators of enzymes activities allows the model to describe the dynamics of storage and use of glycogen and lipids stores in a cell. The biochemical network of our model is represented in Figure below



$$\frac{dS}{dt} = N \cdot \nu(k, S)$$

$$S = (s_1, \dots, s_{15}), \nu = (\nu_1, \dots, \nu_{19})$$

$$N = [n_{ij}]_{1 \leq i \leq 15, 1 \leq j \leq 19}$$

Regulation of pentose phosphate pathway (ν_{PP}):

1. required energy for the cell is provided ($Energy = E_s$)
2. glycogen reserve is filled ($glycogen = G_m$)
3. the surplus of intake nutrients in $F6P$ is then deviated toward pentose phosphate pathway.

CONCLUSION

The model is generic and phenomenological, and provides a basis to investigate various hypotheses in animal biology. It allows for example studying the postprandial metabolism (fast dynamics) and energy stock management in lactation/gestation (slow dynamics). Furthermore, it allows understanding and predicting the effects of diets containing contrasting sources of energy (carbohydrates / lipids) on the energy stocks in animal.

CONTACT INFORMATION



Email: Masoomeh.Taghipoor@rennes.inra.fr

Phone: +3 2 23487065

Web: <http://www6.rennes.inra.fr/pegase>

INRA, UMR 1348

F-35590, Saint gilles, France