



HAL
open science

Effects of landscape heterogeneity on functional gamma diversity

Rémi Duflot, René Georges, Stéphanie Aviron, Aude Ernoult, Françoise Burel

► **To cite this version:**

Rémi Duflot, René Georges, Stéphanie Aviron, Aude Ernoult, Françoise Burel. Effects of landscape heterogeneity on functional gamma diversity. BES ANNUAL MEETING 2012, University of Birmingham. Birmingham, GBR., Dec 2012, Birmingham, United Kingdom. 1 p. hal-01210040

HAL Id: hal-01210040

<https://hal.science/hal-01210040>

Submitted on 6 Jun 2020

HAL is a multi-disciplinary open access archive for the deposit and dissemination of scientific research documents, whether they are published or not. The documents may come from teaching and research institutions in France or abroad, or from public or private research centers.

L'archive ouverte pluridisciplinaire **HAL**, est destinée au dépôt et à la diffusion de documents scientifiques de niveau recherche, publiés ou non, émanant des établissements d'enseignement et de recherche français ou étrangers, des laboratoires publics ou privés.

Agricultural Landscape & Biodiversity

Effects of landscape heterogeneity on functional gamma diversity

Duflot R.^{1,2}, Georges R.¹, Aviron S.², Ernoult A.¹, Burel F.¹

Research questions

What we know and pitfalls

- **Landscape heterogeneity** is a key factor in maintaining **biodiversity**
 - ↳ The two components of heterogeneity should be taken into account: **compositional** and **organizational** heterogeneity
- **Semi-natural habitats** play an important role in biodiversity conservation
 - ↳ The **cultivated land** is usually **ignored** but is potentially important

Questions

- What are the relative effects of landscape composition and organisation ?
- How important are the farmlands for agricultural biodiversity ?
 - ↳ Describe life history traits distribution along landscape gradients (**dispersion**, **phenology** and **reproduction**)
 - ↳ Look at the diversity of two very different taxonomic groups:



carabid beetles

and herbaceous plants

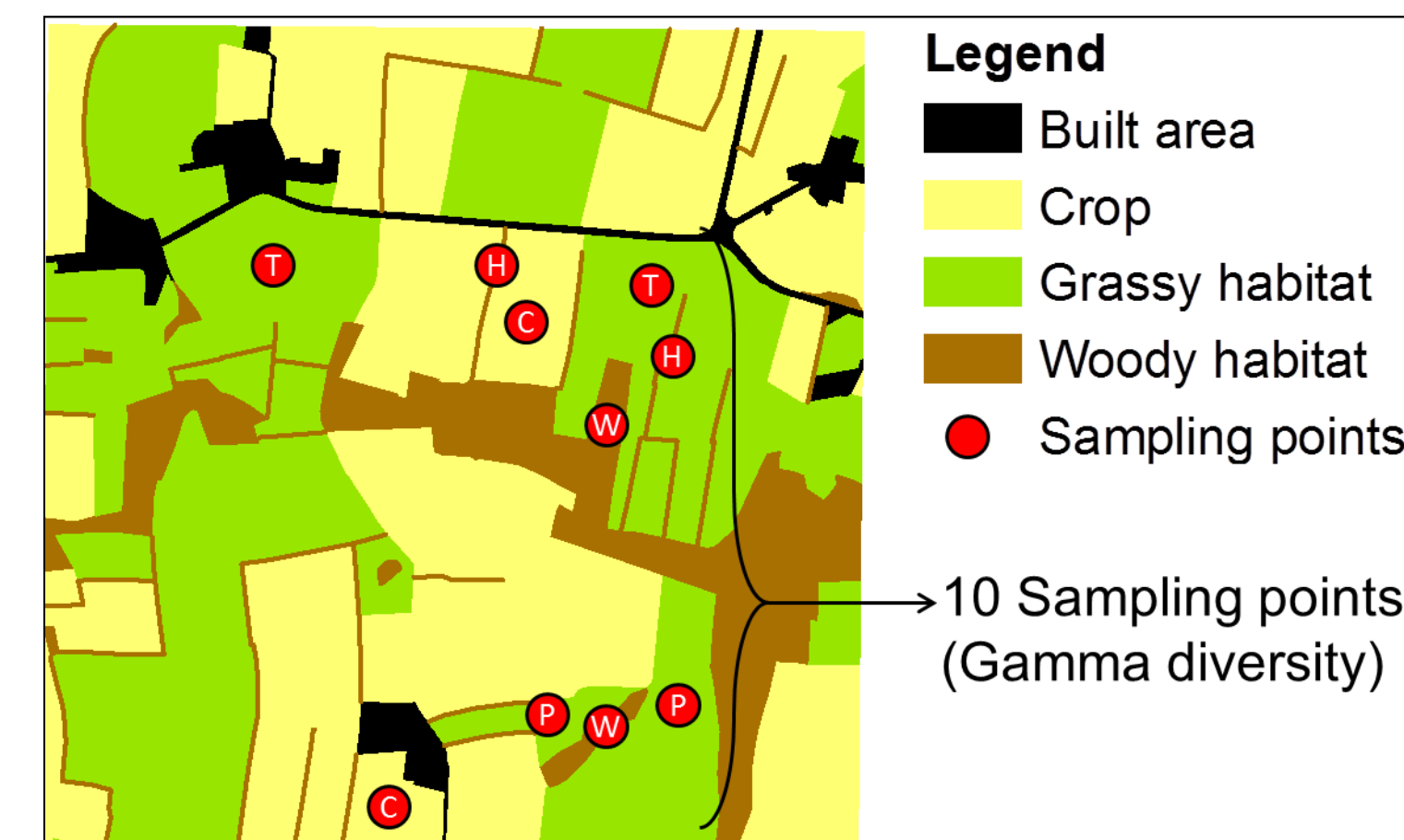


↳ Measure diversity at the landscape scale = **gamma diversity**

Sampling, Mapping & Statistics

Sampling design

- Selection of **20 landscapes** of 1 km²
- Assess gamma diversity with a **hierarchical sampling design**



Sampled cover types:

- Hedgerow (H)
- Woodlot (W)
- Permanent grassland (P)
- Temporary grassland (P)
- Cereal crop (C)

Landscape descriptors

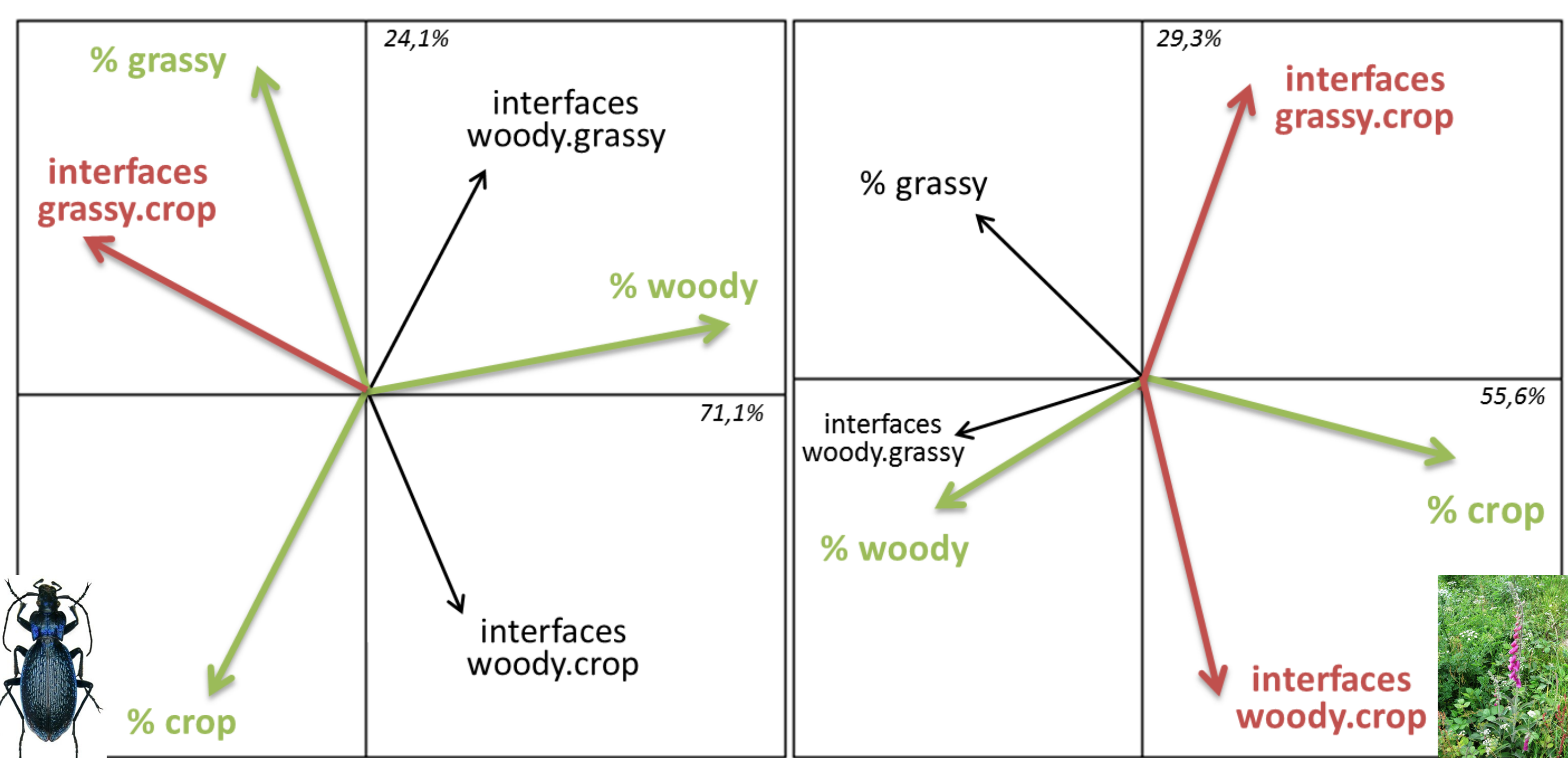
- **Landscape composition** is defined by three cover classes: woody habitats / grasslands / crops (here cereal fields)
- Spatial organisation evaluated as the **length of interfaces**

Statistical analyses

- Relate three tables: landscape descriptors, species, functional traits
- **RLQ**: simultaneous ordination of the three tables
- **Fourth Corner (FC)**: correlation between trait categories and descriptors

Influence of landscape characteristics on traits distribution

Landscape effects on community composition (RLQ)



- **Composition** and **organisation** drive life history traits distributions
- **Organisation** effects are greater on carabids than on plants

Landscape influence on species phenology (FC)

- Plants and carabid beetles show similar responses

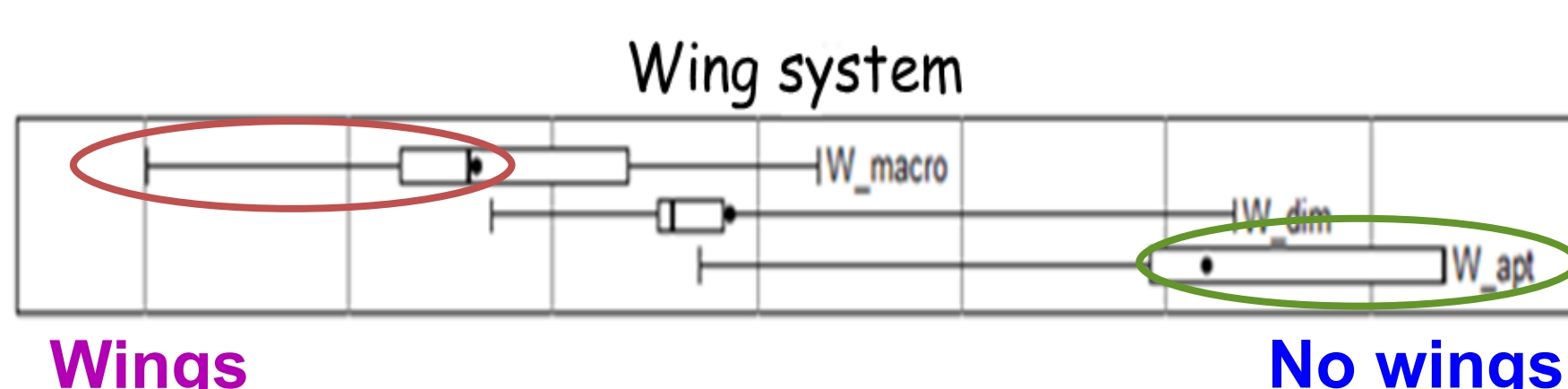
	"Open" landscapes High inter. grassy / crop	Wooded landscapes High % woody
Spring breeders	+	-
Autumn breeders	-	+
Flowering period May - June	+	-
Flowering period July - Sept.	-	+
	Early species	Late species

"Open" landscapes are usually associated with more disturbance. **Early species** can reproduce before most of agricultural interventions in spring (mowing, plough, harvest...).

Landscape influence on carabid dispersal abilities (RLQ)

- "Open" landscapes ↗ carabids with **high dispersal** abilities
 - Can adapt to fast changing and ephemeral vegetation covers
- Wooded landscapes** ↗ availability of more stable habitats
 - Less detrimental for carabids with **lower dispersal** abilities

High dispersal



Low dispersal



"Open" landscapes
High inter. grassy / crop

← Axis 1 of RLQ

Wooded landscapes
High % woody

Conclusions

1. Variations in compositional and organisational heterogeneity change the dominance of functional traits at landscape scale.
2. Plants are mostly affected by the compositional heterogeneity while the spatial organisation of farmlands seems to be of great importance for carabid beetles.
3. Because different landscape types favour different functional traits, a diversity of landscape type at the regional scale will ensure a functional diversity.



Main author:
Rémi DUFLLOT
PhD Student / University of Rennes
duflot.remi@gmail.com

Affiliations

- ¹ CNRS, UMR Ecobio, Université de Rennes 1
- ² INRA, UR 980, SAD-Paysage

