



HAL
open science

Microstructure and Texture of Al₂Si_xSn (x = 0, 4, 8 mass%) Alloys Processed by Equal Channel Angular Pressing

Gonzalo Gonzalez, Chedly Braham, Jean Lou Lebrun, Yvan Chastel, Wilfrid Seiler, Ignacio A. Figueroa

► **To cite this version:**

Gonzalo Gonzalez, Chedly Braham, Jean Lou Lebrun, Yvan Chastel, Wilfrid Seiler, et al.. Microstructure and Texture of Al₂Si_xSn (x = 0, 4, 8 mass%) Alloys Processed by Equal Channel Angular Pressing. Materials Transactions, 2012, 53 (7), pp.1234-1239. 10.2320/matertrans.M2012011 . hal-01205899

HAL Id: hal-01205899

<https://hal.science/hal-01205899>

Submitted on 28 Sep 2015

HAL is a multi-disciplinary open access archive for the deposit and dissemination of scientific research documents, whether they are published or not. The documents may come from teaching and research institutions in France or abroad, or from public or private research centers.

L'archive ouverte pluridisciplinaire **HAL**, est destinée au dépôt et à la diffusion de documents scientifiques de niveau recherche, publiés ou non, émanant des établissements d'enseignement et de recherche français ou étrangers, des laboratoires publics ou privés.



Science Arts & Métiers (SAM)

is an open access repository that collects the work of Arts et Métiers ParisTech researchers and makes it freely available over the web where possible.

This is an author-deposited version published in: <http://sam.ensam.eu>
Handle ID: <http://hdl.handle.net/10985/10185>

To cite this version :

Gonzalo GONZALEZ, Chedly BRAHAM, Jean L LEBRUN, Yvan CHASTEL, Wilfrid SEILER, Ignacio A. FIGUEROA - Microstructure and Texture of Al₂Si_xSn (x = 0, 4, 8 mass%) Alloys Processed by Equal Channel Angular Pressing - Materials Transactions - Vol. 53, p.1234-1239 - 2012

Any correspondence concerning this service should be sent to the repository

Administrator : archiveouverte@ensam.eu

Microstructure and Texture of Al–2Si– x Sn ($x = 0, 4, 8$ mass%) Alloys Processed by Equal Channel Angular Pressing

Gonzalo Gonzalez¹, Chedly Braham², Jean L. Lebrun³, Yvan Chastel⁴, Wilfrid Seiler² and Ignacio A. Figueroa¹

¹*Instituto de Investigaciones en Materiales, Universidad Nacional Autónoma de México, Circuito Exterior S/N, Cd. Universitaria, A.P. 70-360, Coyoacán, C.P. 04360, México*

²*Laboratoire Procédés et Ingénierie Mécanique et Matériaux ENSAM, 151, bd de l'Hôpital 75013, Paris, France*

³*Laboratoire Arts et Métiers ParisTech d'Angers (LAMP), 2, bd du Ronceray 49035, Angers, France*

⁴*Centre de Mise en Forme des Matériaux, Ecole de Mines, 1, rue Claude Daunesse BP 207, 06904 Sophia-Antipolis Cedex, France*

The influence of Sn on the microstructure, microstrain and grain morphology in Al–2Si– x Sn samples processed by ECAP is reported and discussed. The pseudo-binary Al– x Sn alloys (where $x = 0, 4, 8$ mass%) were produced by conventional ingot casting. Samples were characterised by X-ray diffractometry (XRD), transmission electron microscopy (TEM), dynamical mechanical analysis (DMA) and microhardness. Results showed that the initial texture was modified after several ECAP passes and the formation of subgrains were observed. The presence of Sn enhanced the tribological properties of the alloy but, the ECAP capacity for grain refining was reduced. Besides, it was also confirmed that the damping capacity and microhardness behaviour were dependent of the Sn contents.

Keywords: aluminium alloys, equal channel angular pressing, nanograins, transmission electron microscopy, Rietveld refinement

1. Introduction

In the recent years, there has been considerable scientific and industrial interest in severe plastic deformation produced by ECAP (Equal Channel Angular Pressing). The ECAP process in aluminium alloys can produce equiaxed grains of submicrometer sizes and, in some cases, a spectacular ductility enhancement can be achieved.¹⁾ Some binary alloys with high plastic deformation that belongs to FCC and BCC cell types have been studied, especially under condition of extrusion, wire drawing and rolling. In the last two decades the main efforts have been focused on Cu or Al systems, with body centred cubic (bcc) second phase such as Nb or Ta, i.e., Cu–X (where X = Nb, Ta, Cr, V or Fe),^{2–8)} having the objective of increasing the mechanical strength of these alloys. In the 1990's, some studies started with hexagonal (hcp) metals including Ti–Y,^{9,10)} Mg–Ti,¹¹⁾ Al–Ti¹²⁾ and Al–Mg,¹³⁾ however, the understanding of the fundamental mechanisms controlling the mechanical deformation and the microstructure evolution is still unclear.

At present, there are some studies on the deformation behaviour of two cell such as the combination FCC–BCC and FCC–Hex, however, the reports on the combination of FCC–Tetragonal cells are still underway. Previous studies have shown that the addition of Sn enhances the UTS of Al based alloys due to the Hall–Petch mechanism (an increase of 40% on the ultimate tensile strength was obtained with a deformation $\eta = 6.5$). These experiments were carried out under high deformation conditions by means of a process of rolling.¹⁴⁾ In this study, we will continue these results with a series of ECAP experiments. The Al–Sn alloys are usually employed as bearings; this is due to their good combination of strength and frictional behaviour properties. The latter property could be interesting during the ECAP process, as this alloy has not been investigated in such conditions. Our objective is to characterise this alloy and investigate the role, beneficial or not, that the Sn could have. Several techniques

concerning the characterisation of microstrain, grain size and crystal texture will be employed.

2. Experimental

Commercial aluminium (Al) containing 2% mass–Si alloy was melted with Sn in order to achieve the nominal composition Al–2Si– x Sn alloys (where $x = 0, 4, 8$ mass%). The ingots were machined into rod shape with cross section of 16 mm \times 16 mm and length of 130 mm. The rods were then angular extruded at room temperature. The ECAP die consisted of two separated blocks of tool Cr–V tool steel (H13), which were held together to form a single internal channel having the same square cross section. The angle between the two channels was 110 degrees. The surface of the internal channel was lubricated with MoS₂ powder and oil in order to reduce the friction between the die wall and the alloy rod. The ECAP passes were performed with a rotation of 180 degrees between the passes.

Before starting the ECAP process, the samples were observed by optical microscopy. A standard metallographic preparation was performed over the samples prior the observation. For higher magnification, microstructural characterisation by transmission electron microscopy was used with a FEI TECNAI G2. The thin foils samples were prepared by means of the focus ion beam technique (PHILIPS FIB 200).

The determination of the crystallographic texture was performed on a X'Pert MRD 4 circles diffractometer, with K α –Cu at 40 KV and 40 mA. The device has a primary optical 1 \times 1 mm² and point detectors with a K α monochromator in the secondary position. The texture was determined on samples of Al alloy containing different Sn amounts, (0% Sn, 4% and 8% Sn) for several ECAP passes. For each sample, four hkl plans have been explored: (111), (200), (220) and (311). A background correction and a correction of defocusing were applied to the experimental files prior to

recalculation of pole figures. Samples were taken so that the normal line was parallel to the flow direction. Electropolishing (about 150 μm) is performed to remove the work hardened layer, due to the machining, prior to the texture analysis.

The experimental XRD spectra for the broadening peak analysis were determined using a Bruker D8 Advance Diffractometer equipped with a graphite $K\alpha_2$ monochromator and a VANTEC 2000 2D detector. Relative variations of microstrain and size particle were evaluated by Williamson–Hall plots, this method assumes a Lorentzian XRD peak profile, within this approximation, it is possible to separate the strain (ε) and crystallite size (D) effects from the integral breadth (β) peak, following eq. (1):

$$\frac{\beta \cos(\theta)}{\lambda} = \frac{1}{D} + 4\varepsilon \left(\frac{\sin(\theta)}{\lambda} \right) \quad (1)$$

Although the Williamson–Hall model is merely qualitatively, it can evidence the correlations between the number of ECAP passes and the strain and/or crystallite size broadening. The plot of $\frac{\beta \cos(\theta)}{\lambda}$ vs $\frac{\sin(\theta)}{\lambda}$ gives directly the crystallite size and the strain from the ordinate intersection and the slope of the linear fit of the experimental points. Within this approach, a slope zero means that the strain is negligible and crystallites are spherical on average. The slope values different of zero represent a strain contribution to the broadening.

More accurate measurements of microstrain and crystallite size values were performed by X-ray diffraction and the Rietveld Method (using FULLPROF program). The refining calculations were based on the use of a pseudo-Voigt-TCH profile. The instrumental function was taken from a calibrated LaB_6 powder standard.

The FWHM Lorentzian H_l and Gaussian H_g were refined according to the following formulae:

$$H_g^2 = U \tan^2(\theta) + \frac{I_g}{\cos^2(\theta)} \quad (2)$$

$$H_l = X \tan(\theta) + \frac{Y}{\cos(\theta)} \quad (3)$$

Where U , X are parameters that depend on strain and Y , I_g depend on crystallite size, and θ is the diffraction angle. For a pseudo-Voigt profile, the integral breadth β is related to H and η (mixing Gauss–Lorentz parameter) as follows:

$$\beta = \frac{\pi}{180} \frac{\pi}{2} \frac{H}{\eta + (1 - \eta)\sqrt{\pi \ln(2)}} \quad (4)$$

For separating the Lorentzian and Gaussian contributions, the formula Thompson–Cox–Hastings (TCH) pseudo-Voigt is assumed:

$$H^5 = H_g^5 + 2.69269 H_g^4 H_l + 2.42843 H_g^3 H_l^2 + 4.47163 H_g^2 H_l^3 + 0.07842 H_g H_l^4 + H_l^5 \quad (5)$$

The Gaussian and Lorentzian integral breadth are then substituted into the well known Stokes–Wilson formula $\varepsilon = \frac{\beta}{4 \tan(\theta)}$, and the Scherrer equation $D = \frac{\lambda}{\beta \cos(\theta)}$ for the final calculation of the microstrain and crystallite size. Since the integral breadth β depends on H and η , the contribution of both Lorentz and Gaussian profiles to the size and strain effects, gives in a more realistic fitting.

The dynamic mechanical analysis technique (DMA) has been used in order to study the changes in the damping

capacity as a function of the temperature. In this technique, a cyclic stress is applied: $\sigma(w) = \sigma_0 + e^{iwt}$. Then, the strain response could be expressed as:

$$\varepsilon(w) = \varepsilon_0 + e^{i(wt - \delta)} \quad (6)$$

Where δ is the phase lag, w is the frequency of oscillation, t is the time and ε_0 is the strain at the maximum stress. A complex elastic modulus is defined as:

$$E^* = \frac{\sigma_0}{\varepsilon_0} (\cos(\delta) + i \sin(\delta)) = E' + E'' \quad (7)$$

Where σ_0 is the maximum stress, E' and E'' are the real and imaginary parts of the complex elastic modulus, respectively.

The damping capacity is defined as:

$$\tan(\delta) = \frac{E''}{E'} \quad (8)$$

In this study, we have correlated this quantity with the Sn content and number of ECAP passes. The damping capacity should increase if the number of boundaries grows, so it is an indirect way to know if the ECAP process produces an efficient grain refining.

Microindentation tests were performed on a microhardness tester (Shimadzu HVM-2000). Vickers hardness was calculated from average of ten measurements using 50 g and 15 s loading time measurements. Prior to the indentation, the specimens were electropolished; the measurements were done parallel to the extrusion direction, since the microhardness is indirectly a measure of the cold work realized during the extrusion.

3. Results

Figure 1 shows some optical micrographs of the Al–2Si– x Sn samples with the grain size and morphology before the ECAP process. Additions of Sn in the alloy, Figs. 1(a)–1(b), does not produce any substantial changes in the microstructure, however, in the interface between the Al and Sn, the electrochemical attack was more severe and the grain boundaries appear to be darker. The average diameter size estimated was 50 microns.

When an external stress is applied to the Al alloy during the ECAP passes, this should provoke a dislocation density increase when increasing the number of ECAP passes. Normally, dislocations interact and gradually transform into dislocation complexes or tangles and if the deformation becomes larger, they form dislocation walls which divide the volume into dislocation cells or subgrains. Figure 2 shows TEM images of the sample Al–2Si–8Sn (mass%) for 0, 1, 2 passes of ECAP. In these images, between the passes 0 and 1, a notorious refinement of the grain size can be observed (Fig. 2(b)). The formation of subgrains can also be noticed (framed in circles), these subgrains were easily identifiable. These images have a grey contrast, very similar, due to their near crystallographic orientations. It was also noticed that Si and Sn phases, were mainly located at the Al grain boundaries. Figure 2(c) shows a more homogeneous grain size distribution; these results suggest that when the sample is subjected to higher deformations or more ECAP passes, the grain refined is enhanced.

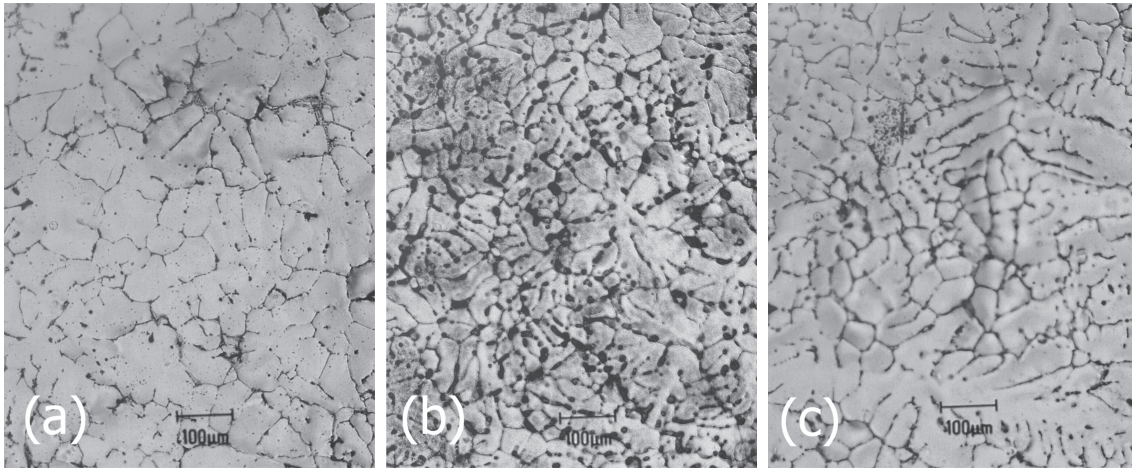


Fig. 1 Optical micrographs of the samples showing their initial microstructure before the ECAP process: (a) Al-2Si (b) Al-2Si-4Sn and (c) Al-2Si-8Sn.

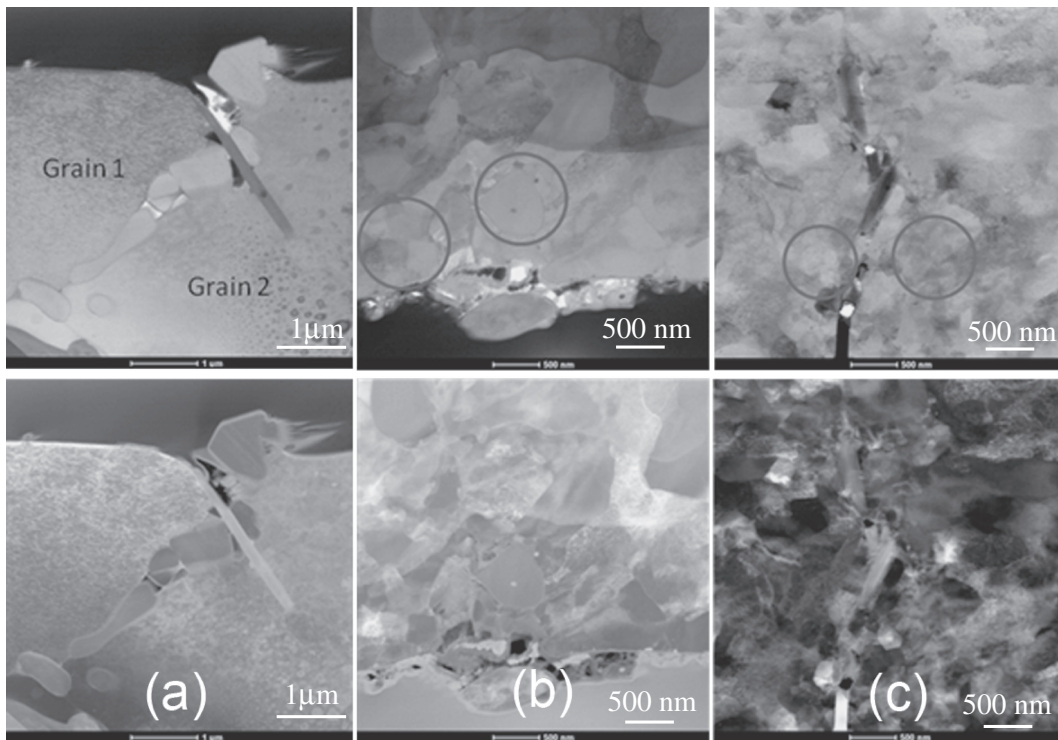


Fig. 2 Bright and dark field TEM images of Al-2Si-8Sn: (a) 0 ECAP pass, (b) 1 ECAP pass and (c) 2 ECAP passes.

From the pole figures examination of the samples before ECAP, we found that the grains are too large, so there is not enough sampling to make proper measurement by this technique (grain size ranges from 20 to 50 microns in diameter).

After the 1st ECAP pass, it appears a strong crystallographic texture. The pole figures are quite similar for all the Sn contents. Figure 3 shows the results for 4%Sn, they are compatibles with a texture component $\{001\} \langle 110 \rangle$ and $\{1\bar{1}2\} \langle 110 \rangle$. The types of orientation and the intensity of the texture are the same for the different Sn contents studied (average intensity ratios are: 6.92 for 0%Sn, 6.5 for 4% Sn and 6.80 for 8% Sn). It should be noted that the grain number in the volume analysed is large enough, qualitatively demonstrating that the grain size of the material has certainly greatly reduced after this first pass of ECAP.

After 2nd pass, the pole figures are similar for the 3 sample types. On the contrary to what we observed after the 1st pass of ECAP, the intensity ratios vary from one sample to another, (see Fig. 4); which are:

0% Sn: average intensity ratio = 3.6

4% Sn: average intensity ratio = 5.5

8% Sn: average intensity ratio = 2.15

The type of texture is the same, $\{145\} \langle 11\bar{1} \rangle$, but the intensity of the texture is much higher for the sample with 4% Sn. The presence of 8% Sn has reduced the texture compared to a Sn-free material. This effect could be beneficial for the alloy.

As summary, on the flow plane, the 1st pass of ECAP generates two texture components: $\{001\} \langle 110 \rangle$ and $\{1\bar{1}2\} \langle 110 \rangle$ in which the planes (001) and $(1\bar{1}2)$ are separated by an angle of 35° . On the other hand, the 2nd pass generates only

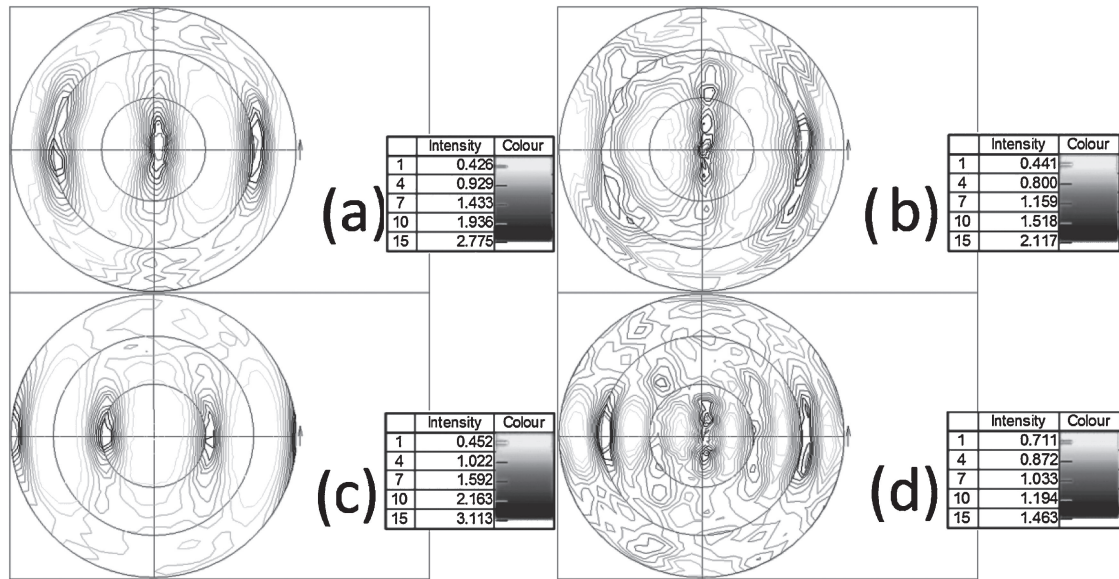


Fig. 3 Pole figures of the Al-2Si-4Sn alloy after 1 ECAP pass: (a) plane (111), (b) plane (200), (c) plane (220) and (d) plane (311).

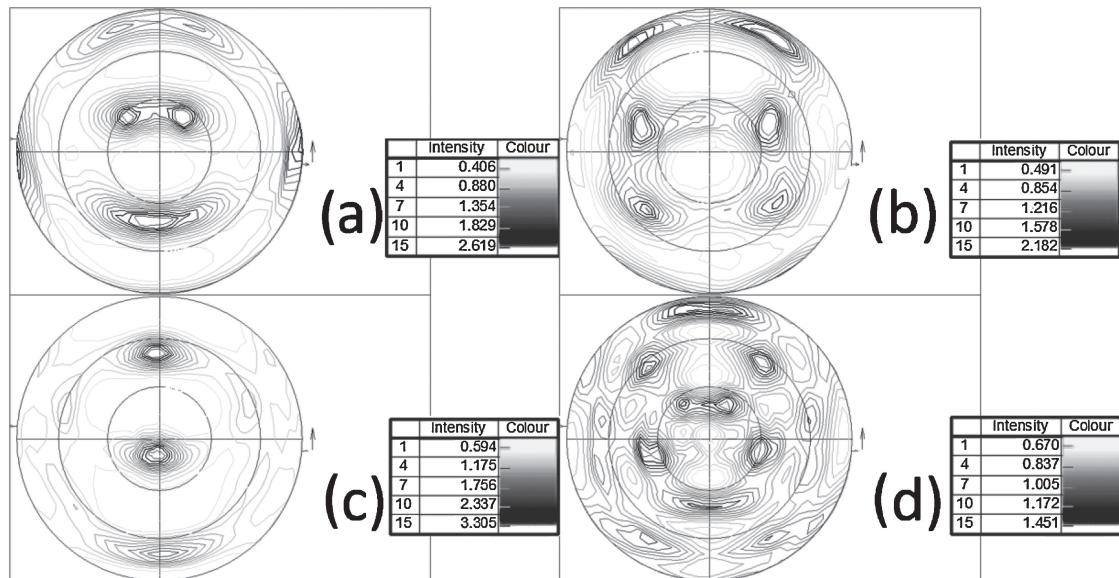


Fig. 4 Pole figures of the Al-2Si-4Sn alloy after 2 ECAP passes: (a) plane (111), (b) plane (200), (c) plane (220) and (d) plane (311).

one texture component $\{145\} \langle 11\bar{1} \rangle$, which intensity depends on Sn content.

Figure 5 shows the effect of the microstrain and particle size on the breadth of the Al diffraction peak (311) for 0 mass% of Sn content, the referred peak was shifted in 2θ and normalised in order to appreciate clearly the XRD broadening effect of ECAP on these alloys. This figure clearly displays the effect of each pass on the diffraction peak broadening, where the main difference was observed between the undeformed sample and the first ECAP pass. However, the difference between the first and the second pass was very marginal and could lay within the experimental scatter.

Figures 6–8 show the Williamson-Hall plots for different Sn contents as a function of the ECAP passes, they show a clear correlation between the strain (slope), the size particle (reciprocal of the ordinate intersection) and the number of ECAP passes. Because of the large initial particle size at

0 pass, the instrumental integral breadth has the same magnitude order than the observed breadth, therefore the measured particle size are irrelevant for 0 ECAP pass, the same consideration applies for the Rietveld refinement results.

Table 1 summarises the data obtained from Rietveld refinement, it is noticed that Sn diminishes the microstrain in the material. At the same time, a tendency exists to increase the crystallite size with the Sn content. At identical chemical composition, the different passes of ECAP increased the microstrain. The cell parameter remains almost constant. Such observations tend to speculate that Sn plays a tribological role allowing an easier gliding of the surfaces but with a moderate detrimental effect on grain size.

Figures 9–11 show the damping capacity changes as a function of the temperature, it can be seen that there is quite similar behaviour for 4% and 8% Sn samples, where the damping capacity increases with the temperature and the

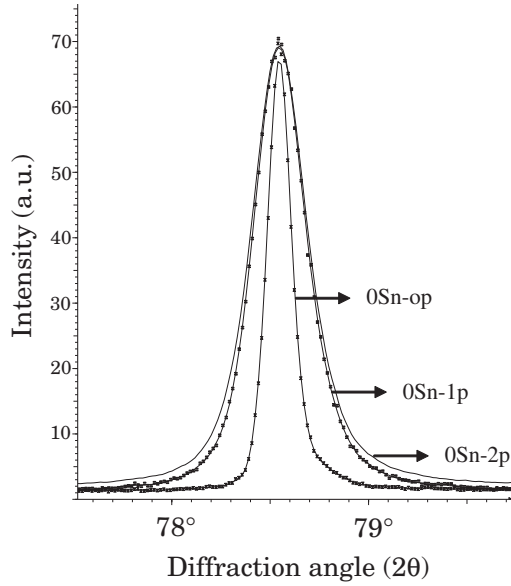


Fig. 5 Broadening effect of 0, 1, 2 ECAP passes for the (311)_{Al1} peak. The maxima of the profiles are normalized.

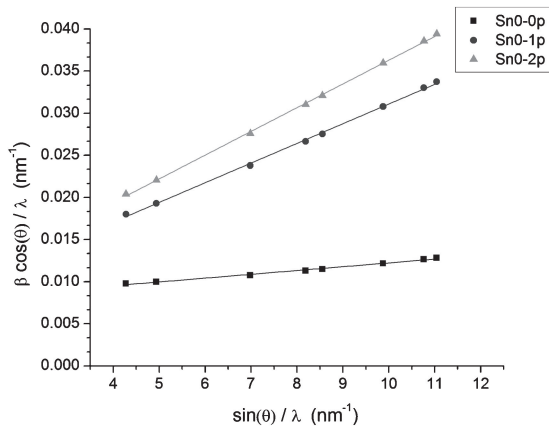


Fig. 6 Williamson-Hall plots for the Al-2Si alloy at different ECAP passes.

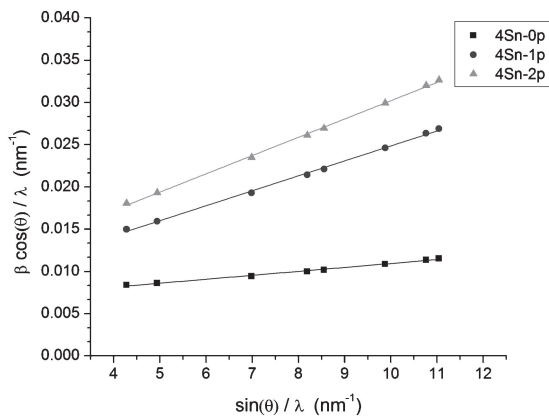


Fig. 7 Williamson-Hall plots for the Al-2Si-4Sn alloy at different ECAP passes.

number of ECAP passes (Figs. 10–11). For the sample without Sn, a different behaviour is observed. Figure 9 shows that the maximum damping occurs for the sample that does not contain Sn and at zero ECAP pass. For 1 and 2 passes of

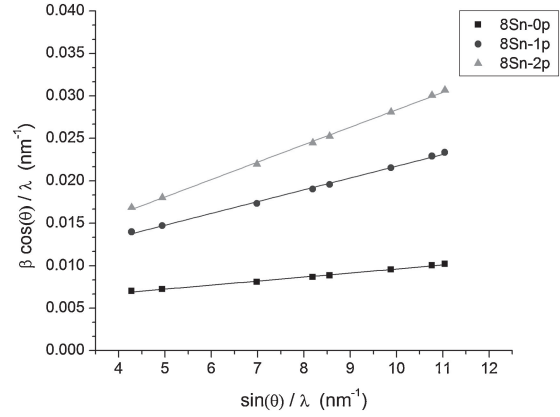


Fig. 8 Williamson-Hall plots for the Al-2Si-8Sn alloy at different ECAP passes.

Table 1 Microstrain, grain size, cell parameters and goodness of fit parameters from Rietveld refinement.

0 ECAP pas			
0% Sn	4% Sn	8%Sn	
non usable	non usable	non usable	grain size (nm)
non usable	non usable	non usable	max strain
0.40506	0.40501	0.40495	cell parameters (nm)
2.22	6.8	5.4	RF
4.46	5.83	10.5	R-Bragg
1 ECAP pas			
0% Sn	4% Sn	8%Sn	
75	86	87	grain size (nm)
13.7×10^{-4}	10.9×10^{-4}	8.8×10^{-4}	max strain
0.40507	0.40498	0.40495	cell parameters (nm)
0.42	2.57	4.59	RF
0.474	2.94	8.01	R-Bragg
2 ECAP passes			
0% Sn	4% Sn	8%Sn	
72	81	83	grain size (nm)
15.6×10^{-4}	12.7×10^{-4}	12.1×10^{-4}	max strain
0.40503	0.40496	0.40491	cell parameters (nm)
0.355	2.84	4.18	RF
0.535	5.72	7.9	R-Bragg

ECAP, the behaviour is very similar. These results confirm that DMA technique and damping behaviour could be used as monitor of grain evolution during ECAP, but also it shows that Sn has an important effect on the elastic behaviour of the alloy. On the other hand, the curves split when the temperature increases, this result was not expected, and suggests a new study at higher temperatures is necessary, and looking for degradation conditions of these alloys will be the objective.

Figure 12 shows the evolution of the Vickers microhardness as a function of the Sn content and the number of ECAP passes. The ECAP process increases the Vickers microhardness of the alloy, if 2 passes of ECAP are performed, the microhardness value is duplicated. At the same time, it can be observed that Sn content has an effect of diminishing the microhardness. This behaviour is compatible with the DMA results.

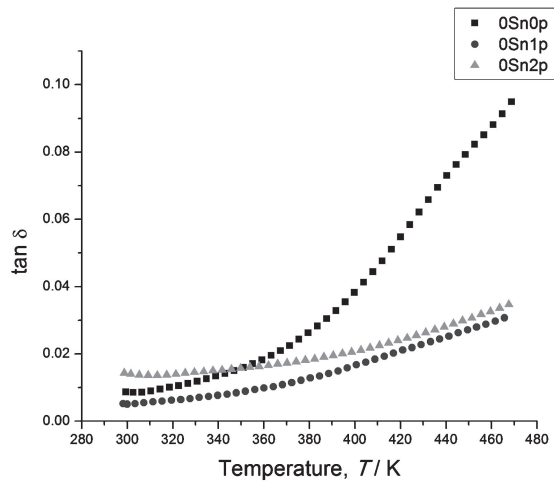


Fig. 9 Damping capacity as a function of temperature for the alloy Al-2Si.

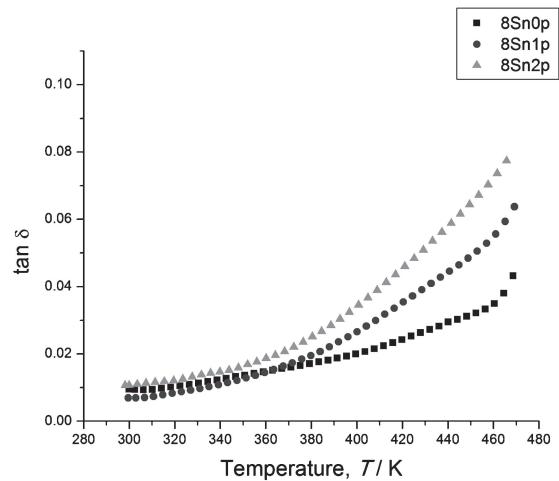


Fig. 11 Damping capacity as a function of temperature for the alloy Al-2Si-8Sn.

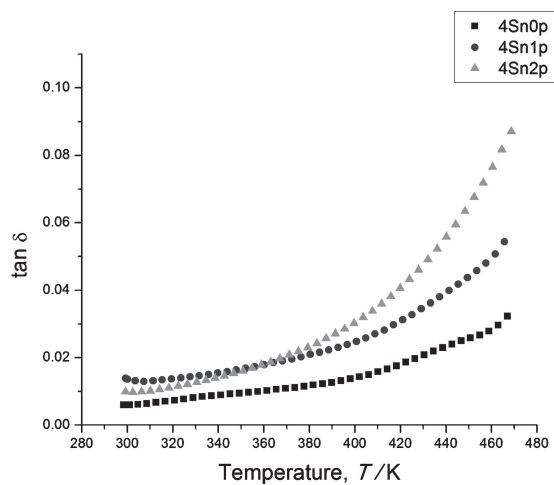


Fig. 10 Damping capacity as a function of temperature for the alloy Al-2Si-4Sn.

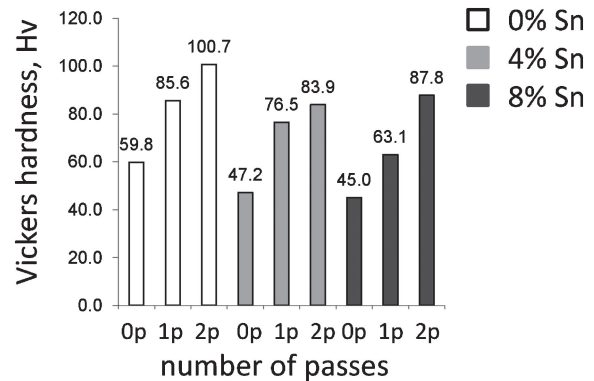


Fig. 12 Vickers microhardness as a function of ECAP passes and Sn content.

4. Conclusions

The ECAP process can reduce significantly the grain size in only two passes. The texture induced by the process is modulated by the different passes but not destroyed. The formation of subgrains seems to be very local, indicating that strain heterogeneity exists in the sample (zones where grains are large with practically no dislocation and zones with a high dislocation density). The microstrain and grain size measured by XRD showed that Sn plays an important tribological role in the alloy but it reduces the ECAP capacity for refining the grains. Damping capacity and microhardness confirm that Sn affects the elastic behaviour of the alloys and proves that the DMA is a suitable technique for analysing the grain size evolution.

Acknowledgements

The authors would like to thank the funding support for this project by PAPIIT-UNAM through grants IN112010 and IB100712. GG and IAF gratefully acknowledge the funding from DGAPA-sabbatical year and CONACyT-repatriation programme, respectively. Valuable technical support provided by A. Tejada, O. Novelo-Peralta, G. A. Lara-Rodriguez and C. Flores is also acknowledged.

REFERENCES

- 1) R. Z. Valiev, D. A. Salimonenko, N. K. Tsenev, P. B. Berbon and T. G. Langdon: *Scr. Mater.* **37** (1997) 1945–1950.
- 2) J. Bevk, J. P. Harbison and J. L. Bell: *J. Appl. Phys.* **49** (1978) 6031–6038.
- 3) W. A. Spitzig, A. R. Pelton and F. C. Laabs: *Acta Metall.* **35** (1987) 2427–2442.
- 4) W. A. Spitzig, C. L. Trybus and F. C. Laabs: *Mater. Sci. Eng. A* **145** (1991) 179–187.
- 5) S. Pourrahimi, H. N. Hashemi and S. Foner: *J. Mater. Sci. Lett.* **9** (1990) 1484–1487.
- 6) S. Pourrahimi, H. N. Hashemi and S. Foner: *Metall. Trans. A* **23A** (1992) 573–586.
- 7) J. D. Verhoeven, L. S. Chumbley, F. C. Laabs and W. A. Spitzig: *Acta Metall.* **39** (1991) 2825–2834.
- 8) J. D. Verhoeven, F. A. Schmidt, E. D. Gibson and W. A. Spitzig: *J. Metals* **38** (1986) 20–24.
- 9) A. M. Russell, L. S. Chumbley, T. W. Ellis, F. C. Laabs, B. Norris and G. E. Donizetti: *J. Mater. Sci.* **30** (1995) 4249–4262.
- 10) A. M. Russell, T. W. Ellis and L. S. Chumbley: *J. Mater. Sci.* **30** (1995) 2070–2076.
- 11) J. A. Jensen, A. M. Russell, T. W. Ellis and L. S. Chumbley: *Light Metals*, ed. by J. Evans, (TMS, Warrendale, PA, 1995) p. 1367.
- 12) A. M. Russell, T. Lund, L. S. Chumbley, F. C. Laabs, L. L. Keehner and J. L. Harringa: *Composites Part A* **30** (1999) 239–247.
- 13) K. Xu, A. M. Russell, L. S. Chumbley, F. C. Laabs, V. B. Gantovnik and Y. Tian: *J. Mater. Sci.* **34** (1999) 5955–5959.
- 14) O. Hernandez and G. Gonzalez: *Mater. Charact.* **59** (2008) 534–541.