



HAL
open science

Evidence for strong seasonality in the carbon storage and carbon use efficiency of an Amazonian forest

Lucy Rowland, Timothy Charles Hill, Clement Stahl, Lukas Siebicke, Benoît Burban, Joana Zaragoza-Castells, Stéphane Ponton, Damien Bonal, Patrick Meir, Mathew Williams

► To cite this version:

Lucy Rowland, Timothy Charles Hill, Clement Stahl, Lukas Siebicke, Benoît Burban, et al.. Evidence for strong seasonality in the carbon storage and carbon use efficiency of an Amazonian forest. *Global Change Biology*, 2014, 20 (3), pp.979-991. 10.1111/gcb.12375 . hal-01204212

HAL Id: hal-01204212

<https://hal.science/hal-01204212>

Submitted on 27 May 2020

HAL is a multi-disciplinary open access archive for the deposit and dissemination of scientific research documents, whether they are published or not. The documents may come from teaching and research institutions in France or abroad, or from public or private research centers.

L'archive ouverte pluridisciplinaire **HAL**, est destinée au dépôt et à la diffusion de documents scientifiques de niveau recherche, publiés ou non, émanant des établissements d'enseignement et de recherche français ou étrangers, des laboratoires publics ou privés.

Evidence for strong seasonality in the carbon storage and carbon use efficiency of an Amazonian forest

LUCY ROWLAND*, TIMOTHY CHARLES HILL†, CLEMENT STAHL‡, LUKAS SIEBICKE‡, BENOIT BURBAN‡, JOANA ZARAGOZA-CASTELLS*, STEPHANE PONTON§, DAMIEN BONAL§, PATRICK MEIR*¶ and MATHEW WILLIAMS*

*School of Geosciences, University of Edinburgh, Edinburgh EH9 3JN, UK, †Earth and Environmental Sciences, University of St Andrews, Fife KY16 9AL, UK, ‡INRA, UMR-ECOFOR, Kourou, France, §INRA, UMR 1137 Ecologie et Ecophysologie Forestières, Champenoux 54280, France, ¶Research School of Biology, Division of Plant Sciences, Australian National University, Canberra, ACT 0200, Australia

Abstract

The relative contribution of gross primary production and ecosystem respiration to seasonal changes in the net carbon flux of tropical forests remains poorly quantified by both modelling and field studies. We use data assimilation to combine nine ecological time series from an eastern Amazonian forest, with mass balance constraints from an ecosystem carbon cycle model. The resulting analysis quantifies, with uncertainty estimates, the seasonal changes in the net carbon flux of a tropical rainforest which experiences a pronounced dry season. We show that the carbon accumulation in this forest was four times greater in the dry season than in the wet season and that this was accompanied by a 5% increase in the carbon use efficiency. This seasonal response was caused by a dry season increase in gross primary productivity, in response to radiation and a similar magnitude decrease in heterotrophic respiration, in response to drying soils. The analysis also predicts increased carbon allocation to leaves and wood in the wet season, and greater allocation to fine roots in the dry season. This study demonstrates implementation of seasonal variations in parameters better enables models to simulate observed patterns in data. In particular, we highlight the necessity to simulate the seasonal patterns of heterotrophic respiration to accurately simulate the net carbon flux seasonal tropical forest.

Abbreviations

A_{Fn}	=	GPP fraction allocated to pool n
A_n	=	Allocation of carbon to pool n
C_n	=	Carbon stock for pool n
Cr	=	Coarse roots
CUE	=	Carbon Use Efficiency
CWD	=	Coarse woody debris
f	=	Foliage
fr	=	Fine roots
GPP	=	Gross Primary Production
LAI	=	Leaf Area Index
L_f	=	Litterfall
Lit	=	Litter
R_a	=	Autotrophic respiration
R_{eco}	=	Ecosystem Respiration
R_{Fn}	=	Respired fraction of carbon pool n
R_h	=	Heterotrophic respiration
R_n	=	Respiration from carbon pool n
SOM	=	Soil organic matter
T_n	=	Turnover rate of carbon from pool n
w	=	Wood

Keywords: carbon use efficiency, DALEC, data assimilation, ecosystem respiration, French Guiana, seasonal carbon fluxes, tropical forest

Received 27 June 2013; and accepted 14 August 2013

Correspondence: Lucy Rowland, tel.+44 (0) 131 651 7034, fax +44 (0) 131 662 0478, e-mail: lucy.rowland@ed.ac.uk

© 2013 The Authors *Global Change Biology* Published by John Wiley & Sons Ltd.

This is an open access article under the terms of the Creative Commons Attribution License, which permits use, distribution and reproduction in any medium, provided the original work is properly cited.

Introduction

The seasonality of the net carbon flux of Amazonian forests remains uncertain. Existing studies in Amazonian forests have reported both increases (Goulden *et al.*, 2004; Hutrya *et al.*, 2007; Bonal *et al.*, 2008) and decreases (Malhi *et al.*, 1998; Chambers *et al.*, 2004; Keller *et al.*, 2004) in the total carbon sequestered in the dry season. Models struggle to adequately simulate wet-to-dry season changes in the net carbon flux (Saleska *et al.*, 2003; Baker *et al.*, 2008; Verbeeck *et al.*, 2011). The importance of seasonal changes in gross primary production (GPP) and ecosystem respiration (R_{eco}) on the net carbon flux of tropical forests remains unresolved.

Recent model development studies have focused on improving the simulation of GPP (Fisher *et al.*, 2007; Baker *et al.*, 2008; Grant *et al.*, 2009; Kim *et al.*, 2012) rather than the fate of organic matter, and emissions from R_{eco} . Reco is comprised of autotrophic (leaf, root and stem) and heterotrophic (litter, dead wood and soil) components. Various field studies have estimated the contribution of each component of respiration to total R_{eco} (Malhi *et al.*, 2009; Metcalfe *et al.*, 2010; Malhi *et al.*, 2013). However, there is still uncertainty regarding the sensitivity of these individual respiration components to the seasonal drying of soil and how these responses coincide with the seasonality in GPP, to affect seasonal changes in the ecosystem carbon budget (Meir *et al.*, 2008).

Carbon use efficiency (CUE) is the proportion of GPP invested into net primary production (NPP), rather than expended as autotrophic respiration (R_a), and is an important indicator of how efficient an ecosystem is at investing assimilated carbon for growth (Waring *et al.*, 1998). However, CUE is difficult to quantify accurately using measurements because of uncertainty associated with scaling measurements of leaf, stem and root respiration to the ecosystem scale (Chambers *et al.*, 2004). Similarly, estimating CUE remains a challenge for modelling tropical systems because of uncertainties in parameterizing the seasonality of R_a (Fox *et al.*, 2009; Verbeeck *et al.*, 2011).

This study reports the responses of a lowland tropical forest to seasonal variations in environmental conditions, at a site in French Guiana, for which multiple ecological time series data sets are available. These time series include: dry and wet season measurements of leaf, stem, soil and coarse woody debris (CWD) respiration; net ecosystem exchange (NEE); litterfall; leaf area index (LAI); woody biomass; and stem growth. The study site experiences a strong seasonal change in soil moisture (Bonal *et al.*, 2008; Wagner *et al.*, 2011); something which has been predicted to occur over a wider

area of Amazonia, particularly the north east, with future climate change (Cox *et al.*, 2008; Jupp *et al.*, 2010; Marengo *et al.*, 2012). The seasonal dry period at our study site has been shown to be coincident with reductions in total R_{eco} , soil respiration (including root and litter respiration), tree growth, stem respiration and CWD respiration at the site (Bonal *et al.*, 2008; Stahl *et al.*, 2011; Wagner *et al.*, 2012; Rowland *et al.*, 2013).

To achieve the most likely summary of existing data, we adapt the Data Assimilation Linked Carbon Model (DALEC; Fox *et al.*, 2009; Williams *et al.*, 2005) for use at the site in French Guiana (Fig. 1; hereafter referred to as DALEC-FG). We use Metropolis-Hastings data assimilation (DA; Knorr & Kattge, 2005) to combine uncertain data with the process information and mass balance described by the DALEC-FG model, to constrain the seasonal response of the ecosystem. The DA scheme is used to parameterize the model for both wet and dry season, which are defined using a soil water content threshold (see Methods). Using separate parameters for each season the analysis can attribute, with estimates of uncertainty, the seasonal changes in the net carbon flux to changes in the component carbon fluxes of this tropical forest.

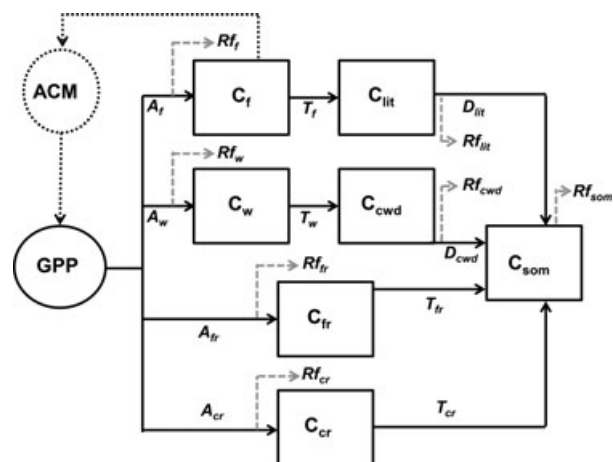


Fig. 1 Diagram of the DALEC-FG carbon model, an adaptation of the Data assimilation linked Carbon (DALEC) model (Williams *et al.*, 2005). The boxes represent a carbon pool and the arrows represent a carbon flux through the model, the dotted grey arrows represent a loss from respiration, which is set to a fixed fraction of the carbon allocated to each pool. All of the acronyms for the pool and fluxes are explained in the model parameters table (Table 1). The fractions respired from autotrophic pools (foliar carbon; C_f , carbon in wood; C_w , carbon in fine roots; C_{fr} , and carbon in coarse roots C_{cr}) are calculated as a fraction of the carbon allocated to the pool. The fraction respired from the litter, coarse woody debris and soil carbon pools (C_{lit} , C_{cwd} , C_{som}) are calculated as a fraction of the total pool.

Materials and methods

Site

The study focused on a tropical lowland forest site at Paracou Research Station in French Guiana (5°16 N, 52°16 W). Data were collected over a period of 8 years from January 2004 to December 2011 on two adjacent 70 × 70 m *terra firme* permanent forest plots (Bonal *et al.*, 2008; Stahl *et al.*, 2011, 2013; Wagner *et al.*, 2012; Rowland *et al.*, 2013). The plots were situated on nutrient-poor acrisols and were similar in ecological characteristics, including species density (103 and 116 species ha⁻¹), stem density (612 and 725 stems ha⁻¹) and litterfall (7.28 ± 0.3 and 6.42 ± 0.3 Mg ha⁻¹ yr⁻¹). French Guiana has a strong seasonal rainfall pattern caused by the movement of the intertropical convergence zone twice a year, causing a long (August–November) and short (March) dry season. Consequently, despite the site receiving an average of 3041 mm of rain per year (Gourlet-Fleury *et al.*, 2004), during the long dry season rainfall is normally <50 mm per month (Bonal *et al.*, 2008). The dry season reduction in rainfall is large enough to cause a significant reduction in leaf water potential (see Supporting Information), and has been shown to have a small effect on GPP (Bonal *et al.*, 2008 and see Fig. 2).

Model description

The DALEC model (Williams *et al.*, 2005) was adapted for French Guiana (DALEC-FG) and is a simple box carbon cycle model of carbon pools connected by fluxes (Fig. 1). The original DALEC model has been used in a number of previous modelling studies (Williams *et al.*, 2005; Fox *et al.*, 2009; Hill *et al.*, 2012). Our adaptations to the original DALEC model (Williams *et al.*, 2005) included: (i) inclusion of a coarse root pool and a coarse dead wood (CWD) pool (Fig. 1); (ii) Modelling stem, leaf, fine root and coarse root respiration separately (Fig. 1); (iii) Inclusion of a moisture response function to predict heterotrophic respiration created using mean daily soil respiration (R_s) measured at the site (see Supporting Information) and (iv) The use of separate wet and dry season

parameters for the allocation, turnover rate and respiration from the foliage, stem and root pools (see below).

As with the original DALEC model, the daily time-step and computational simplicity of DALEC-FG makes it well suited to DA, where a large number of model runs are required. Gross primary productivity (GPP) in DALEC-FG was determined using the Aggregated Canopy Model (ACM; Williams *et al.* (1997); Fig. 1). ACM is an empirical simplification of the Soil–Plant–Atmosphere model (SPA; Fisher *et al.*, 2006, 2007; Williams, 1996) which predicts GPP according to daily minimum and maximum temperature, precipitation, radiation, atmospheric CO₂ concentration, soil water potential, hydraulic resistance, leaf nitrogen and LAI combined with 10 optimized parameters. To ensure ACM was correctly calibrated for the study site, 10 parameters in ACM were optimized to reproduce the GPP predicted by a set of runs performed for the site using the SPA model. SPA, a detailed ecophysiological model, has previously been validated at Amazonian forest sites (Fisher *et al.*, 2007). Once SPA was calibrated for our site (see Supporting Information) it accurately produced previously published GPP estimates for this site (Bonal *et al.*, 2008; Fig. 2). ACM replicated the SPA GPP with a root mean square error of 0.05 g C m⁻² d⁻¹.

Soil moisture response function in DALEC-FG

A soil moisture response function for heterotrophic soil respiration was created using R_s data measured at the site. The R_s data included respiration from root, litter and soil organic matter. To model the soil water response of heterotrophic respiration, we first had to remove the effect of root respiration from the R_s data. We estimate root respiration by assuming that it is a constant and that the seasonal changes in soil respiration are caused by heterotrophic processes. Previous studies on our site and at other sites in the eastern Amazon have demonstrated a strong heterotrophic soil respiration response to reductions in soil moisture (Bonal *et al.*, 2008; Metcalfe *et al.*, 2007; Sotta *et al.*, 2007). In comparison, only small, and both positive and negative seasonal changes in autotrophic soil respiration have been found (Metcalfe *et al.*, 2007; Da Costa *et al.*,

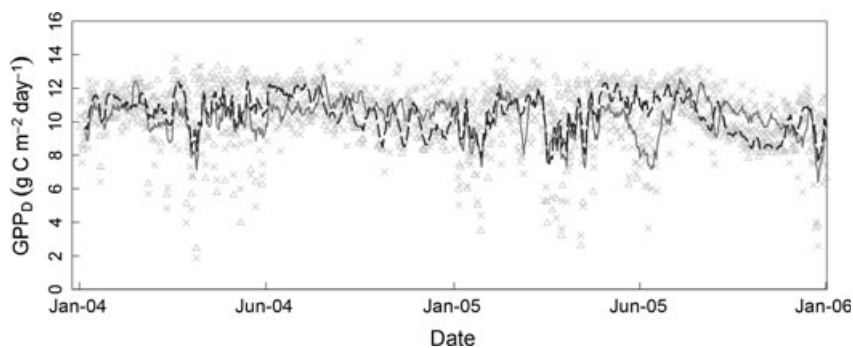


Fig. 2 Comparison of the gross primary production (GPP) from the soil–plant–atmosphere model (SPA) run at the Paracou site with the GPP calculated from the eddy covariance data collected at the site from 2004 to 2005 and published in Bonal *et al.* (2008). Light grey crosses indicate daily GPP (g C m⁻² d⁻¹) from Bonal *et al.* (2008) and light grey triangles the equivalent from SPA. The lines show the 6-day running mean from SPA (dark grey dotted line) and Bonal *et al.*, 2008 (light grey solid line).

2013). We assume that root respiration is a constant value of $1.9 \pm 0.3 \text{ g C m}^{-2} \text{ d}^{-1}$; this is half of the soil respiration when it is averaged over the 2 years of measurements. Root respiration has been shown to be approximately half of annual soil respiration, at our study site (Ponton & Bonal, unpublished data) and at other sites in the eastern Amazon (Metcalfe *et al.*, 2007, 2010). To model heterotrophic soil respiration our estimated root respiration value is subtracted from all daily R_s data ($n = 601$, 2005–2006) and these data are used to create a model of heterotrophic soil respiration.

The seasonal effect of temperature on the heterotrophic respiration from soil was removed by subtracting the change in heterotrophic respiration caused by temperature using the temperature response function in DALEC-FG, which assumes a doubling of respiration rate with a 10°C rise in temperature. The remaining seasonality in the heterotrophic soil respiration was regressed against the mean measured daily surface soil water content (SWC) which was collected every 30 min in the surface 5–10 cm (see below). A log-normal curve was fitted to these data (Fig. S1) and normalized, so the optimum point ($2.5 \text{ g C m}^{-2} \text{ d}^{-1}$) was equal to 1. DALEC-FG was forced with the daily mean of measured SWC data and used this normalized log-normal function to adjust predicted values of carbon loss from the heterotrophic pools based on soil moisture. It should be noted that this moisture response function is an empirical relationship and thus is site specific.

Defining wet and dry season

Dry season was defined using the soil water content data, including all days where the mean daily SWC was $<0.12 \text{ m}^3 \text{ m}^{-3}$. This threshold was set as the lower quartile of all the SWC data, which had an annual mean and SD of $0.17 \pm 0.04 \text{ m}^3 \text{ m}^{-3}$. In total 733 of 2922 study days were defined as dry season. The wet-dry season division was used to define when the assimilation switched between wet and dry season model parameters for the allocation, turnover time and respiration parameters for the autotrophic carbon pools (foliar carbon (C_f), carbon in wood (C_w) and carbon in fine and coarse roots (C_{fr} , C_{cr})). This seasonal shift meant that the DA could adjust ecosystem dynamics across seasons, testing the hypotheses that seasonal variation in parameters would better enable the model to replicate the observed patterns in the data.

Data assimilation methodology

The DA scheme optimized 36 parameters. These include separate parameters for the wet and dry season allocation and turnover rate and respiration parameters for the autotrophic pools were included in these 36 parameters (Table 1). A Metropolis-Hastings scheme was used to estimate the posterior distribution of model parameters (Knorr & Kattge, 2005). We assume observation errors on different data streams to be uncorrelated and therefore minimize the function:

$$L = e^{-M_f}$$

where L is the likelihood of the model parameters given the data and M_f is the model data miss fit. M_f is determined by:

$$M_f = \frac{1}{2} \sum \frac{(M - O)^2}{E^2}$$

where M is the modelled result, O is the observations and E is the SE on the observations.

Prior information about the parameter distributions was included using the same form of likelihood function, but comparing parameter selections with estimated prior parameters (Table 1; Knorr & Kattge, 2005). Model parameters were assumed to be real, positive and to have a lognormal probability distribution (Knorr & Kattge, 2005). Therefore, all processes of parameter selection, and acceptance and rejection of parameters in relation to prior ranges were performed in log-normal space (Knorr & Kattge, 2005).

The step size for the DA was set to a random draw from a normal distribution, with a mean of 0 and a SD of 0.004 in log-normal space, resulting in an acceptance rate of 40–45%. The length of the Markov chain was determined using Gelman–Rubin convergence statistic (Brooks & Gelman, 1998). The Gelman–Rubin convergence statistic was calculated using six Markov chains and indicated that after 1 200 000 steps the Markov chain had adequately sampled the posterior distribution, with a convergence level below the 1.2 threshold (Brooks & Gelman, 1998). A burn point – the number of initial accepted parameter combinations which are thrown away – was set at 200 000 to ensure the initial portion of the chain was not sampled. The final posterior distributions for each separate Markov chain was therefore made up of 1 000 000 accepted parameter combinations. The posterior parameter values and ranges were calculated as the 50th, 15.9th and 84.1th percentiles of the 1 million accepted parameter combinations. These percentiles are equivalent to the mean and plus and minus one SD for a log-normal distribution. For data storage purposes the output from 1000 of the 1 million accepted model runs was randomly selected and saved.

Assimilated data

Eddy covariance flux data. Eddy covariance data on a half hourly time-step from 2004 to 2011 were available from a tower located $<50 \text{ m}$ from our study sites. There is a detailed methodology published for the set-up of the tower (Bonal *et al.*, 2008). The NEE data were processed using ALTEDDY software (<http://www.climatexchange.nl/projects/alteddy/>) and standard quality control checks were used to filter the data (Foken *et al.*, 2005). Following all night-time NEE data for which u^* values were $<0.15 \text{ m s}^{-1}$ were filtered out (Bonal *et al.*, 2008). As some spurious spikes were still visible in the half hourly carbon flux (FC) and carbon storage data (SFC) all values of SFC and FC greater than 10 SDs were filtered out from the data (in both cases $<0.11\%$ of the data were filtered). To create daily values of NEE and limit the use of gap-filled data, only days with ≥ 40 half hours per day were used. Missing values for these days were replaced with the mean day-time or night-time value for that day, before fluxes were summed. From 2004 to 2011, 497 daily values of NEE were available. Errors for the NEE data were derived from

Table 1 Parameter descriptions for the DALEC-FG model, including their symbols (s), units, prior value (P), prior lower estimate (PL) and prior upper estimate (PU), the posterior median (Pos), the 15.9th (PosL) and 84.1th (PosU) percentiles on the posterior parameter distributions and sources of the priors estimates for the DALEC-FG model. For allocation, turnover rate and respiration parameters for the autotrophic pools, the wet season posterior parameter values are shown followed by the dry season posterior parameter values in brackets

Parameter	S	Units	P	PL	PU	Pos	PosL	PosU	Source of prior
Initial foliage C stock	C_f	g C m^{-2}	384	299	493	421	411	431	Estimated from LMA data & LAI data
Initial wood C stock	C_w	g C m^{-2}	23 553	18 343	30 243	22 093	21 015	23 186	See methods section
Initial fine root C stock	C_{fr}	g C m^{-2}	371	289	476	469	373	568	Galbraith 2010
Initial coarse root C stock	C_{cr}	g C m^{-2}	1593	966	2627	2970	1814	4610	Galbraith 2010
Initial litter C stock	C_{lit}	g C m^{-2}	300	182	495	358	264	474	Malhi <i>et al.</i> 2009*
Initial coarse wood debris C stock	C_{cwd}	g C m^{-2}	1738	1354	2232	1948	1550	2649	See methods section
Initial soil organic matter C stock	C_{som}	g C m^{-2}	29 000	22 585	37 237	36 820	30 368	45 195	2006
Allocation fraction to foliage	A_f	Fraction of GPP	0.43	0.26	0.71	0.40 (0.31)	0.38 (0.30)	0.42 (0.33)	Malhi <i>et al.</i> 2009*
Allocation fraction to wood	A_w	Fraction of GPP	0.26	0.16	0.43	0.24 (0.18)	0.22 (0.17)	0.26 (0.18)	Malhi <i>et al.</i> 2009*
Allocation fraction to fine roots	A_{fr}	Fraction of GPP	0.23	0.14	0.37	0.29 (0.45)	0.25 (0.41)	0.33 (0.47)	Malhi <i>et al.</i> 2009*
Allocation fraction to coarse roots	A_{cr}	Fraction of GPP	0.08	0.05	0.13	0.06 (0.06)	0.04 (0.04)	0.10 (0.09)	Malhi <i>et al.</i> 2009*
Turnover rate of foliage†	T_f	Fraction of pool per day	2.4e-3	1.8e-3	3.0e-3	1.7e-3 (2.1e-3)	1.6e-3 (2.0e-3)	1.7e-3 (2.2e-3)	Estimated from LMA and litterfall (see Methods)
Turnover rate of wood†	T_w	Fraction of pool per day	2.5e-5	1.9e-5	3.2e-5	2.2e-5 (2.4e-5)	1.8e-5 (1.9e-5)	2.6e-5 (3.1e-5)	Rutishauser <i>et al.</i> 2010
Turnover rate of fine roots†	T_{fr}	Fraction of pool per day	1.4e-3	6.5e-4	2.9e-3	4.5e-3 (1.5e-3)	3.5e-3 (9.1e-4)	5.7e-3 (2.2e-3)	2006
Turnover rate of coarse roots†	T_{cr}	Fraction of pool per day	2.5e-5	1.5e-5	4.1e-5	3.8e-5 (2.8e-5)	2.1e-5 (1.8e-5)	6.4e-5 (4.5e-5)	Assumed to be the same as T_w
Turnover rate of litter†	D_{lit}	Fraction of pool per day	1.0e-3	4.7e-4	2.1e-3	1.1e-3	6.7e-4	2.0e-3	Metcalfe <i>et al.</i> 2010
Turnover rate of CWD†	D_{cwd}	Fraction of pool per day	4.4e-5	2.1e-5	9.3e-5	8.6e-5	4.9e-5	1.3e-4	Carbon lost from CWD per year was calculated using decay rate equations from (Herault <i>et al.</i> , 2010). Assuming 75% of decayed CWD is respired (Chambers <i>et al.</i> , 2001) the time to decay whole CWD pool based on 18% of carbon lost to soil pool was then calculated.
Respired fraction of A_f	R_{Ff}	Fraction of A_f per day	0.50	0.30	0.82	0.78 (0.96)	0.77 (0.93)	0.79 (0.99)	Default assumption for fraction of respired carbon in ACM
Respired fraction of A_w	R_{Fw}	Fraction of A_w per day	0.50	0.30	0.82	0.61 (0.80)	0.57 (0.77)	0.66 (0.83)	

Table 1 (continued)

Parameter	S	Units	P	PL	PU	Pos	PosL	PosU	Source of prior
		Fraction of A_{fw} per day							Default assumption for fraction of respired carbon in ACM
Respired fraction of A_{fr}	R_{fir}	Fraction of A_{fr} per day	0.50	0.30	0.82	0.46 (0.33)	0.36 (0.29)	0.53 (0.37)	Default assumption for fraction of respired carbon in ACM
Respired fraction of A_{cr}	R_{fcr}	Fraction of A_{cr} per day	0.50	0.30	0.82	0.89 (0.65)	0.61 (0.44)	0.97 (0.84)	Default assumption for fraction of respired carbon in ACM
Respired fraction of C_{lit}	R_{flit}	Fraction of pool per day	1.0e-3	.7e-4	2.1e-3	9.2e-4	4.9e-4	1.7e-3	Set to ACM default
Respired fraction C_{cwd}	R_{fcwd}	Fraction of pool per day	2.0e-4	9.4e-5	4.2e-4	2.3e-4	1.7e-4	2.9e-4	Carbon lost from CWD per year was as for D_{cwd} . Assuming 75% of decayed CWD is respired (Chambers <i>et al.</i> , 2001), the fraction of carbon respired from the CWD pool per day was calculated.
Respired fraction C_{som}	R_{fsom}	Fraction of pool per day	1.0e-4	4.7e-5	2.1e-4	6.4e-5	5.2e-5	7.8e-5	Set to ACM default

*Values from Malhi *et al.* (2009) are calculated as averages from the Caxiuana and Manaus sites only.

†Turnover rate parameters are inserted into the model as a turnover rate ($1/(\text{turnover time (yrs)}/365)$).

previously published methodologies (Hollinger & Richardson, 2005; Hill *et al.*, 2012) (see Supporting information).

Foliar data. Leaf respiration measurements were available on our study plots from two studies (Stahl *et al.*, 2013; Zaragoza-Castells *et al.*, unpublished results). The data included the average and SD of leaf respiration in dark conditions from fully sunlit leaves for 52–70 leaves measured in November 2007, July 2008 and November 2008 (Stahl *et al.*, 2013) and from 70 leaves for the dry season of 2010 (Joana Zaragoza-Castells, unpublished data). Leaf respiration data were adjusted to the mean daily temperature over our study period (25.6 °C). These data points were adjusted to a canopy average value by scaling respiration values according to changes leaf respiration between sunlit and shaded leaves (see Supporting Information).

Mean LAI and SD were estimated from measurements made with the Li-2000 (Licor, Lincoln, NE, USA) at between 37 and 49 randomly selected locations per plot in March 2005, November 2005, November 2008, September 2010, March 2011 and September 2011. LAI was compared to model output using an estimate of leaf mass per area (LMA) of $122.07 \pm 2.23 \text{ g C m}^{-2}$ (where \pm indicates SE), measured at the site on 70 leaves (Zaragoza-Castells *et al.*, unpublished results); we assumed half of this mass was carbon.

On our study sites litterfall was measured monthly from January 2004 to December 2011 using four 1 m² litter traps on each plot. Material was collected, dried to a constant mass and then weighed.

Woody stem data. Respiration from stems was measured on our study plots (Stahl *et al.*, 2011); stem respiration measurements were made over 11 periods, during both wet and dry season, between September 2007 and February 2009. The mean and SE of these measurements were scaled to plot level using surface area of the stems and large branches per unit of ground area (stem area index, SAI; Chambers *et al.*, 2004; Robertson *et al.*, 2010). The error on stem respiration was derived from the measurement error, following scaling and therefore we assume that the scaling error was captured by the measurement error.

A census of the diameters of all trees ≥ 10 cm diameter at breast height (DBH, 1.3 m) was conducted in 2004, 2006, 2008 and 2010. These measurements were used to estimate the total aboveground biomass of the plots using a biomass equation for tropical moist forests (Chave *et al.*, 2005), which included tree height; tree height was calculated from diameter using a country specific equation (Feldpausch *et al.*, 2011). As no error estimation existed for biomass, a SE of 10% of the biomass value was passed into the DA.

Tree diameter growth data were measured 32 times for 114 trees on a monthly to bimonthly basis from 2007 to 2010 on our study plots (Wagner *et al.*, 2012). Growth data were not scaled to plot level by Wagner *et al.* (2012) who stated that the trees they measured were not representative of the size structure of the forest. The 11 dry season and 21 wet season growth data measurements from 114 trees from Wagner *et al.* (2012) were used to calculate the ratio of dry to wet season biomass

accumulation, which was 0.40 ± 0.09 (where \pm indicates SE). These data were assimilated annually to provide the model with information of the approximate magnitude and direction of the seasonal change in woody biomass allocation.

Heterotrophic respiration data. Respiration from coarse woody debris (R_{cwd}) was estimated from 429 measurements made on 33 samples during 13 periods from July 2011 to November 2011 (Rowland *et al.*, 2013). Full details of measurements and method used to scale the R_{cwd} measurements to a plot level are available in Rowland *et al.* (2013).

Automatic soil respiration (R_s) data at the study site were measured from April 2005 to December 2006 (Bonal *et al.*, 2008 and Ponton & Bonal, unpublished data). R_s was measured every half hour on the study site using four automated chambers (Bonal *et al.*, 2008). The chambers were placed on top of the surface litter and respiration measurements therefore represent the combined respiration from surface litter, root litter and root and soil. Half hourly values were then averaged into daily values. Error was derived from the SE on the four-chamber measurements. Data were only used when three or more of the soil chambers recorded measurements (577 days). There was significant autocorrelation in the R_s data, this was removed by filtering the data to every 30 days (Gomez Dans, 2004) ($n = 19$). To maintain consistency with the assumptions made in the modelled soil moisture response, we assimilate R_s data which has been separated into autotrophic and heterotrophic components, described earlier in the methods.

Soil water content data. Soil water content data were taken every 30 min from two probes at the study sites. For 2004–2008, data were available from a frequency domain sensor (CS615; Campbell Scientific Inc., North Logan, UT, USA) at 0.05 m depth 15 m from the flux tower. Data were available from a second frequency domain sensor (CS616; Campbell Scientific Inc.) inserted at 0.10 m depth, 10 m from the flux tower for 2007–2011. These data sets were averaged into daily values and corrected for the effects of different probe depth (see Supporting Information).

Steady-state observations, error estimation and model output. The model in its standard form makes no assumption of steady state. These primary forests are likely to be relatively close to steady state over decadal timescales. Therefore, to ensure that the modelled carbon pools were close to steady state, we assimilated seven additional pseudo-observations which were the change in size of each of the seven carbon pools in the DALEC-FG model. These observations had a value of 0 and a SD of 2% of the size of the pool. This solution was necessary because computational limits prevented running the model until it was in steady state, as part of the assimilation process.

SE was used as an estimate of uncertainty on the assimilated data (Richardson *et al.*, 2010). When combining errors (e.g. multiplying leaf respiration by LAI), the errors were assumed to be random and uncorrelated (Hughes & Hase, 2010). The number of data points for each assimilated data stream and the average error for each data stream are shown in Table 2.

Table 2 The number of data points contributing to each data stream used in the DA and the average error on these data (SE, $\text{gC m}^{-2} \text{d}^{-1}$)

Data stream	No.	SE
Net ecosystem exchange	497	2.66
Leaf respiration	4	0.76
Leaf area index	6	0.44
Litterfall	112	0.20
Stem respiration	11	0.08
Aboveground biomass	4	2258.35
Soil respiration	19	0.52
Coarse dead wood respiration	13	0.07

Prior information

Where possible priors on states and parameters were based on data from published sources and unpublished data from the study site. Where site data were not available, estimates from nearby sites in northern Brazil were used. Where no data existed the parameters were set to a best approximation or to

the default values from the DALEC model (Williams *et al.*, 2005). All the prior values were assigned a SD of 0.25, 0.5 or 0.75 in log-normal space (Knorr & Kattge, 2005); Table 1). SD values were assigned based on an assessment of the uncertainty of the data source and on creating realistic limits on the mean estimate.

Results

The results of the analysis show that mean annual GPP is $3756.7 \pm 19.1 \text{ gC m}^{-2} \text{ yr}^{-1}$, 9.1% greater than R_{eco} ($3415.3 \pm 38.5 \text{ gC m}^{-2} \text{ yr}^{-1}$); demonstrating that this forest stores carbon on an annual basis. However, our analysis demonstrates that the strength of the carbon sink increases by approximately four times from wet (NEE: $-0.54 \pm 0.12 \text{ gC m}^{-2} \text{ d}^{-1}$) to dry season (NEE: $-2.1 \pm 0.15 \text{ gC m}^{-2} \text{ d}^{-1}$; Table 3; Fig. 3). The increased strength of the sink was caused by a $0.79 \pm 0.07 \text{ gC m}^{-2} \text{ d}^{-1}$ increase in GPP in response to higher dry season radiation and a simultaneous decrease of $0.78 \pm 0.20 \text{ gC m}^{-2} \text{ d}^{-1}$ in R_{eco} . The effects of

Table 3 The mean carbon pools and fluxes predicted by the DA analysis for study site from 2004 to 2011. Data are shown as mean values for wet and dry season and as mean annual sums. The values are calculated from 1000 randomly selected DA model runs and shown alongside the SD across these model runs (SD)

	Wet season		Dry season		Annual	
	Mean	SD	Mean	SD	Sum	SD
Allocation	$\text{gC m}^{-2} \text{ d}^{-1}$				$\text{gC m}^{-2} \text{ yr}^{-1}$	
A_f	4.01	0.19	3.42	0.18	1413.1	54.9
A_w	2.36	0.12	1.88	0.07	818.5	38.5
A_{fr}	3.04	0.22	4.84	0.22	1272.6	61.7
A_{cr}	0.64	0.14	0.71	0.18	252.5	43.7
Respiration	$\text{gC m}^{-2} \text{ d}^{-1}$				$\text{gC m}^{-2} \text{ yr}^{-1}$	
R_f	3.13	0.18	3.27	0.15	1158.9	54.2
R_w	1.48	0.03	1.53	0.03	544.2	8.5
R_{fr}	1.42	0.17	1.40	0.15	501.3	53.7
R_{cr}	0.49	0.16	0.64	0.14	210.8	54.9
R_{lit}	0.40	0.09	0.26	0.06	130.8	30.2
R_{cwd}	0.41	0.02	0.26	0.01	134.5	6.5
R_{som}	2.23	0.16	1.43	0.11	735.0	54.6
Ecosystem fluxes	$\text{gC m}^{-2} \text{ d}^{-1}$				$\text{gC m}^{-2} \text{ yr}^{-1}$	
NEE	-0.54	0.12	-2.11	0.15	-341.4	36.3
GPP	10.09	0.05	10.87	0.05	3756.7	$\pm\pm$
R_{eco}	9.55	0.13	8.77	0.15	3415.3	38.5
R_a	6.53	0.17	6.83	0.14	2415.1	49.7
R_h	3.02	0.12	1.93	0.08	1000.2	39.1
CUE	0.35	0.02	0.37	0.01	0.36	0.02
Stocks	gC m^{-2}				gC m^{-2}	
C_f	398	8	397	8	398	8
C_w	22376	1225	22362	1217	22373	1223
C_{fr}	465	57	520	52	480	56
C_{cr}	2842	717	2841	714	2842	717
C_{lit}	524	63	530	63	525	64
C_{cwd}	2181	364	2179	364	2181	364
C_{som}	29579	5668	29462	5676	29550	5670

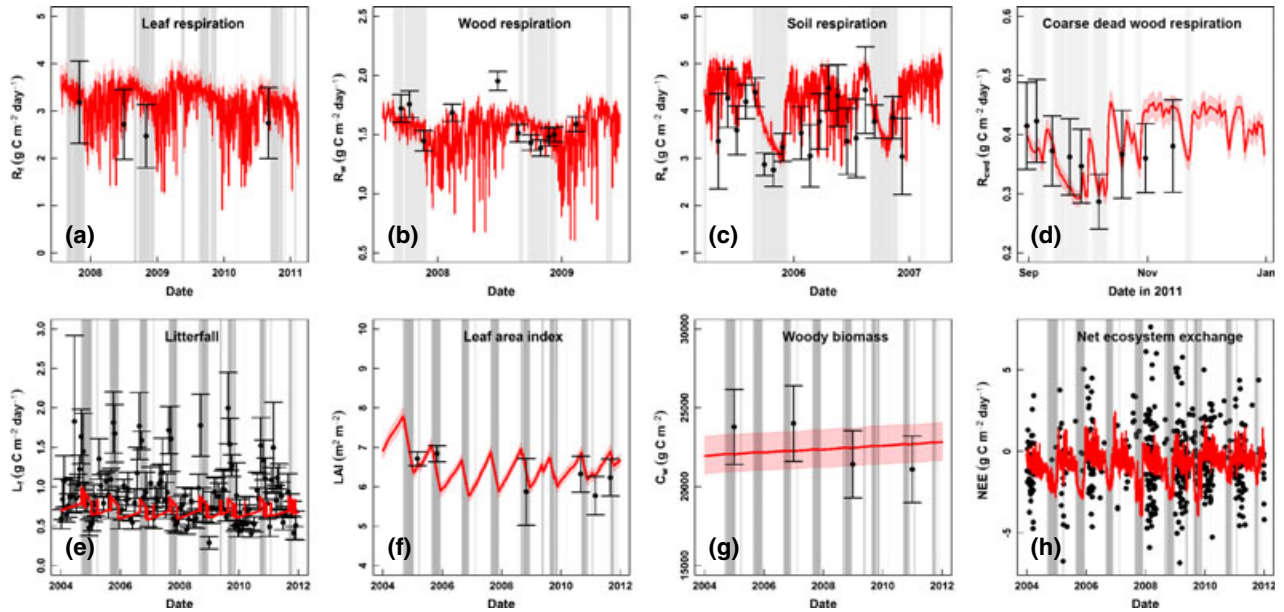


Fig. 3 Comparison of data (black points, shown with standard error bars) with model output from the DA. Median results (red line) with the 15.9th and the 84.1th percentiles (red shaded area), which represent 1 SD for nongaussian distributions, are shown for the results of the DA. The grey shaded area indicates the periods classified as the dry season.

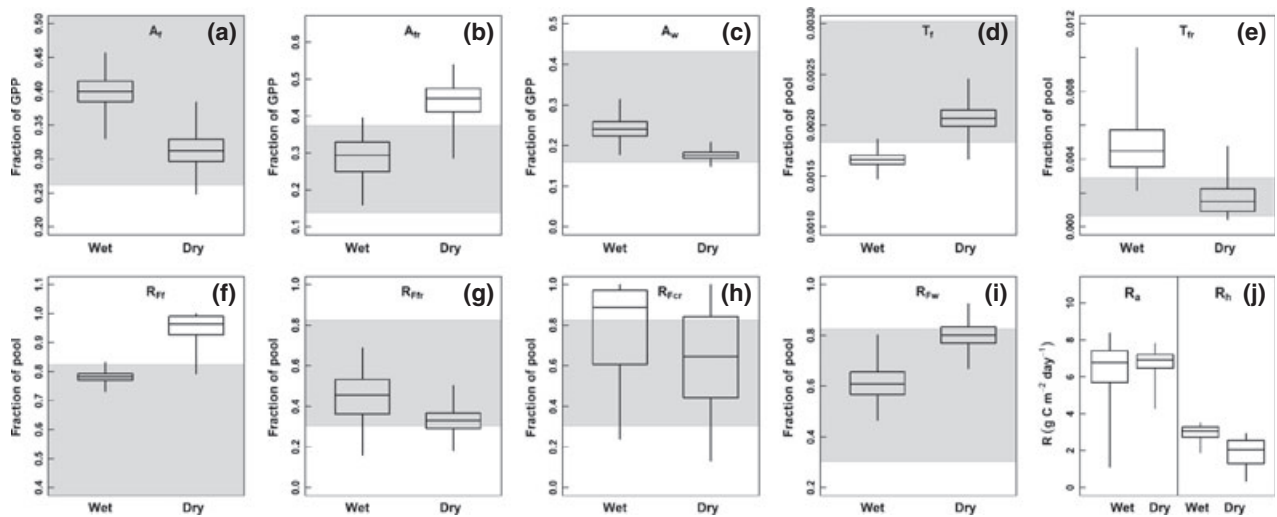


Fig. 4 Box plots of the DA posterior parameter estimates for the allocation (a–c), turnover (d–e) and respiration (f–i) parameters which showed dry and wet season differences. The grey shaded area shows the prior ranges for the parameter values (see Table 1). Panel J shows the effect of these parameter changes on the modelled autotrophic respiration (R_a , $g\ C\ m^{-2}\ d^{-1}$; left), relative to the seasonal change in the heterotrophic respiration (R_h , $g\ C\ m^{-2}\ d^{-1}$; right).

decreasing respiration and increasing GPP were therefore equally important for the seasonal change in the net carbon flux of this ecosystem. The seasonal reduction in R_{eco} was caused by a reduction in heterotrophic respiration (R_h), which not only caused the decrease in R_{eco} but also compensated for an increase in autotrophic respiration of $0.30 \pm 0.22\ g\ C\ m^{-2}\ d^{-1}$ (R_a ; Table 3).

The analysis tightly constrained (SDs <10% of the mean) the GPP, R_{eco} , R_a , R_h and CUE fluxes (Table 3).

Mean annual R_a from the analysis was $2415 \pm 50\ g\ C\ m^{-2}\ yr^{-1}$, more than twice the size of the annual R_h ($1000 \pm 39\ g\ C\ m^{-2}\ yr^{-1}$; Table 3). The $R_h : R_a$ ratio decreased from 0.46 ± 0.02 in the wet season to 0.28 ± 0.01 (Table 3, Fig. 4). This seasonal change was caused by the 36% reduction in dry season R_h . Total R_a only increased by 4% from wet to dry season; however, the reduction in dry season R_h resulted in R_a comprising 80% of the dry season R_{eco} . Mean annual carbon

use efficiency (CUE) was 0.36 ± 0.02 , but increases from wet to dry season by $5.38 \pm 0.3\%$.

On an annual basis similar proportions of GPP were allocated to foliage ($37.7 \pm 1.5\%$) and fine roots ($33.9 \pm 1.7\%$; Table 3). The remainder of GPP was allocated to stem wood ($21.8 \pm 1.0\%$) and coarse roots ($6.7 \pm 1.2\%$). However, the division of carbon allocation among leaves, coarse wood (which includes both stems and coarse roots) and fine roots varied significantly when analysed at a seasonal timescale. The results of the DA indicate increased allocation of carbon to coarse wood and foliage in the wet season, and greater allocation to fine roots in the dry season (Fig. 3; Tables 1 and 2). These changes were driven by significant changes to the allocation parameters from the wet to dry season; A_f and A_w decreased $22.5 \pm 3.1\%$ and $25 \pm 4.4\%$, respectively, from wet to dry season, whereas A_{fr} increased $35.5 \pm 10\%$ (Fig. 4, Table 1).

There were distinct seasonal differences in nine of the 12 parameters associated with the autotrophic pools (Fig. 4). Increases in the respired fraction of the foliar and wood pools from wet to dry season ($18.75 \pm 1.3\%$, and $23.75 \pm 3.9\%$ respectively) were contrasted by decreases in the fraction respired from the fine and coarse root pools ($28.3 \pm 12.5\%$ and $27.0 \pm 19.9\%$ respectively). The analysis predicted high uncertainty ($SD \geq 40\%$ of the mean) for certain parameters: the allocation of carbon to coarse roots, and the turnover of coarse and fine roots, and coarse dead wood and litter (Fig. 4 and Table 1). The errors on the posterior parameter distributions and the simulated model output associated with both the fine and coarse root pools were consistently greater than those associated with the foliage and stem pools (Table 1 and 2; Fig. 4). However, despite a significant increase in the turnover rate of foliage and therefore litterfall in the dry season (Fig. 4d), the DA still remained unable to simulate the high litterfall values which occurred at this site during a 1–2 month period in early to mid-dry season (Fig. 3e). The litterfall data therefore remained the most poorly fitted data in this study (Fig. 3e).

Discussion

This is the first study which uses DA to optimize separate wet and dry season parameters in a tropical forest and to investigate how fluxes from different forest components contribute to seasonal changes in net ecosystem carbon flux. The implementation of seasonal variations in parameters provides a mechanism through which the DALEC-FG carbon model is able to better simulate the observed patterns in flux data. The analysis determines that four times more carbon is

sequestered in the wet than the dry season in the seasonal tropical forest studied, and that there are significant seasonal changes in carbon allocation, and CUE.

The fourfold increase in the net carbon sequestration ($391.1 \pm 91.2\%$ decrease in NEE; Table 3) in dry season was the result of the response of heterotrophic respiration to soil moisture and an increase in GPP in response to increased solar radiation. The increase in NEE in the dry season is larger than has been modelled for other tropical humid forest sites in northern Brazil (Baker *et al.*, 2013). Our estimated values of annual R_a and R_h were similar to estimates from empirical bottom-up net carbon flux studies elsewhere in eastern Amazonian forests (Malhi *et al.*, 2009; Metcalfe *et al.*, 2010). The reduction in R_h from wet to dry was driven by a modelled response to reduced soil water availability (see Methods). Without this modelled moisture response, R_h increased in the dry season in response to increased dry season temperature (data not shown) and consequently the seasonality of the soil respiration was incorrectly simulated, resulting in an underestimation of dry season carbon sequestration and an inability to match the seasonality of NEE.

The low wet to dry season variation in average GPP (Table 3) and the stronger variation in R_{eco} matched patterns observed by Bonal *et al.* (2008) at this site. In 2004, our GPP estimate was 2.74% greater and in 2005, 5.74% greater than previously estimated from eddy covariance data at the site (Bonal *et al.*, 2008). In contrast, our R_{eco} estimates were 3.37% lower in 2004 and 1.41% lower in 2005 than estimates from Bonal *et al.* (2008). Considering the errors associated eddy covariance measurements (Bonal *et al.*, 2008; Hutrya *et al.*, 2008) these differences are low. However, such differences result in our estimates of carbon sequestered by this ecosystem being 2.18 times greater in 2004 and 1.58 times greater in 2005 than previously estimated by eddy covariance data (Bonal *et al.*, 2008). However, in this study, we are able to determine with an assessment of uncertainty, the importance of the seasonality of R_h , GPP and components of R_a for altering carbon sequestration and CUE estimates of tropical forests.

Carbon use efficiency (0.36 ± 0.02) was lower than temperate forest values of ca. 0.5 (Waring *et al.*, 1998) and closer to the CUE values proposed for two undisturbed old-growth forests in the eastern Amazon (0.34 ± 0.10 and 0.34 ± 0.07 ; Malhi *et al.*, 2009). The 5% increase in CUE in the dry season was caused by a greater dry season increase in GPP (8%) than in R_a (4%; Table 3) suggesting that this forest is more efficient at investing carbon in the dry season, when GPP is elevated because of higher solar incident radiation.

The relatively even annual distribution of GPP between foliage, fine root and coarse wood (stems and

coarse roots) is consistent with a synthesis of 35 old-growth rain forests across the Amazon (Malhi *et al.*, 2011). However, the DA demonstrates that there is a wet to dry season shift from greater allocation into stems and foliage, to greater allocation into fine roots (Fig. 4, Table 3). Such a seasonal change in allocation is consistent with a general adaptive strategy to overcome soil drought (Nepstad *et al.*, 1994; Brando *et al.*, 2008).

Root respiration and turnover showed high uncertainty in this study (Fig. 4, Table 3). In general, we found that parameters associated with both coarse and fine root had consistently greater error than those associated with the woody of foliage pools (Fig. 4, Table 1). Such uncertainty resulted from a lack of data to explicitly constrain the allocation and turnover of these pools, in combination with high errors on the prior estimates for these parameters from the literature (Table 1). More field data are therefore necessary to provide a tighter constraint on the seasonal changes in patterns of root dynamics; available methodologies to follow these patterns are destructive and involved heavy investments and have been seldom applied in tropical forests so far.

The model used in this study is a simple approximation of the complex processes which determine seasonal changes in the carbon balance of a tropical forest. The simple model representation required for the DA leads to structural limitations in the DALEC-FG model; for example, a threshold change in model parameterization between wet and dry season does not reflect, what is likely to be a gradual shift in ecosystem function. Also, the absence of certain ecological processes may have affected the results, for example, the absence of nonstructural carbohydrates, root exudates in DALEC-FG may have altered the seasonal changes in GPP and R_a . Similarly, we acknowledge that small amounts of variation in our assumptions that root respiration is constant and comprises half of total soil respiration, may have substantial effects on our results and further research is necessary to test such assumptions. However, with the available data and information from the literature (see Methods) our model of soil respiration provided the best possible estimation of the response of soil respiration at this site. Unfortunately, model simplification is necessary for DA, however, it can be used to highlight key areas of model function which requires future development.

The simple division of leaf turnover into a dry season and a wet season rate was insufficient to capture the large pulse of litterfall that is observed during the first 1 or 2 months of the dry season (Fig. 3e). The model could not simulate seasonal litterfall without causing a seasonal pattern in LAI, which was not observed in the LAI data available at this site (Fig. 3f). However, it is possible that there was a short-term change in the LAI

following the litterfall pulse and therefore higher resolution LAI data are necessary. Recent studies have developed improved litterfall models at three sites across the Amazon, which were able to reproduce a more realistic pulse of litterfall in the dry season (De Weirtdt *et al.*, 2012; Kim *et al.*, 2012), as observed across multiple sites in the tropics (Chave *et al.*, 2010). However, phenology still remains difficult to model in the tropics (Verbeeck *et al.*, 2011; De Weirtdt *et al.*, 2012; Kim *et al.*, 2012) and it is important to consider that simplified leaf-fall models such as the turnover of leaves in DALEC-FG are insufficient for tropical regions. The simple leaf-fall model may have bias some of our results; for example, an underestimation of litterfall could lead to an underestimation of heterotrophic respiration from litter.

Few DA studies have focused on tropical forests and no other study has used such a comprehensive set of time-series data to constrain the seasonality of the carbon budget of a tropical forest system. This study demonstrates that the implementation of seasonal variations in parameters can provide a mechanism through which models can better simulate observed patterns in carbon fluxes at tropical forest sites; however, we caution that replicating DA at other sites across the Amazon is necessary to test this more broadly. We show that it is necessary to simulate the response of heterotrophic respiration to soil moisture to accurately model both the annual and seasonal changes in the net carbon flux of forests which experience strong seasonal changes in precipitation and radiation. The DA analysis tightly constrained the GPP, NEE, R_{eco} , R_a , R_h and CUE at a tropical forest site in the north east Amazon. Consequently, we demonstrate that this forest sequesters four times as much carbon in the dry season as in the wet season as a result of an increase in GPP and a decrease in R_h , which more than compensates for a small dry season increase in R_a . Consistent with a general strategy to avoid drought stress, the DA also indicated a shift from greater allocation to foliage and wood in the wet season and greater allocation to fine roots in the dry season. This study uses a novel technique, which has shown that using multiple data streams to optimize separate dry and wet season model parameters can significantly improve a model's ability to predict the effects of seasonal drought on tropical forest carbon fluxes.

Acknowledgements

We would like to thank J. Cazal, J. Goret and B. Leudet and for their extensive help during the data collection for this study. Also, we would like to thank F. Wagner, Y.A. Teh, J. Grace, I. Hartley and D. Reay for their help and support, as well as two anonymous reviewers for their contributions. This study was part of the GUYAFLUX project funded by the French Ministry

of Research, INRA, and the CNES, in the framework of the PO-Feder Région Guyane. PM was supported by ARC grant FT110100457. To enable this study, LR gratefully acknowledges support from the Natural Environment Research Council (UK) for a NERC PhD studentship, NERC grants NE/F002149/1 and NE/J011002/1, and a NRI postgraduate fellowship (UK).

Author contribution

LR: study design, data collection, analysis, manuscript writing, TCH: study design, analysis, manuscript writing, CS: data collection, manuscript writing, LS: data collection, manuscript writing, BB: data collection, manuscript writing, JZC: data collection, manuscript writing, SP: data collection, manuscript writing, DB: Study design, data collection, manuscript writing, PM: Study design, data collection, manuscript writing, MW: Study design, analysis, manuscript writing.

References

- Baker IT, Prihodko L, Denning AS, Goulden M, Miller S, Da Rocha HR (2008) Seasonal drought stress in the Amazon: reconciling models and observations. *Journal of Geophysical Research*, **113**, G00B01. doi: 10.1029/2007JG000644.
- Baker IT, Da Rocha HR, Restrepo-Coupe N *et al.* (2013) Surface ecophysiological behavior across vegetation and moisture gradients in Amazonia. *Agricultural and Forest Meteorology*. Available at: http://biocycle.atmos.colostate.edu/Documents/Publications/2013/2013_Baker_Agricultural_and_Forest_Meteorology.pdf (accessed 23 August 2013).
- Bonal D, Bosc A, Ponton S *et al.* (2008) Impact of severe dry season on net ecosystem exchange in the Neotropical rainforest of French Guiana. *Global Change Biology*, **14**, 1917–1933.
- Brando PM, Nepstad DC, Davidson EA, Trumbore SE, Ray D, Camargo P (2008) Drought effects on litterfall, wood production and belowground carbon cycling in an Amazon forest: results of a throughfall reduction experiment. *Philosophical Transactions of the Royal Society B-Biological Sciences*, **363**, 1839–1848.
- Brooks SP, Gelman A (1998) General methods for monitoring convergence of iterative simulations. *Journal of Computational and Graphical Statistics*, **7**, 434–455.
- Chambers JQ, Schimel JP, Nobre AD (2001) Respiration from coarse wood litter in central Amazon forests. *Biogeochemistry*, **52**, 115–131.
- Chambers JQ, Tribuzy ES, Toledo LC *et al.* (2004) Respiration from a tropical forest ecosystem: partitioning of sources and low carbon use efficiency. *Ecological Applications*, **14**, S72–S88.
- Chave J, Andalo C, Brown S *et al.* (2005) Tree allometry and improved estimation of carbon stocks and balance in tropical forests. *Oecologia*, **145**, 87–99.
- Chave J, Navarrete D, Almeida S *et al.* (2010) Regional and seasonal patterns of litterfall in tropical South America. *Biogeosciences*, **7**, 43–55.
- Cox PM, Harris PP, Huntingford C *et al.* (2008) Increasing risk of Amazonian drought due to decreasing aerosol pollution. *Nature*, **453**, 212–215.
- Da Costa AC, Metcalfe DB, Doughty C *et al.* (2013) Ecosystem respiration and net primary productivity after 8–10 years of experimental through-fall reduction in an eastern Amazon forest. *Plant Ecology and Diversity*, doi: 10.1080/17550874.2013.798366.
- De Weirtdt M, Verbeeck H, Maignan F *et al.* (2012) Seasonal leaf dynamics for tropical evergreen forests in a process-based global ecosystem model. *Geoscientific Model Development*, **5**, 1091–1108.
- Malhi Y, Farfán Amézquita F, Doughty CE *et al.* (2013) The productivity, metabolism and carbon cycle of two lowland tropical forest plots in south-western Amazonia, Peru. *Plant Ecology and Diversity*, doi: 10.1080/17550874.2013.820805.
- Feldpausch TR, Banin L, Phillips OL *et al.* (2011) Height-diameter allometry of tropical forest trees. *Biogeosciences*, **8**, 1081–1106.
- Fisher RA, Williams M, Do Vale RL, Da Costa AL, Meir P (2006) Evidence from Amazonian forests is consistent with isohydric control of leaf water potential. *Plant, Cell & Environment*, **29**, 151–165.
- Fisher RA, Williams M, Da Costa AL, Malhi Y, Da Costa RF, Almeida S, Meir P (2007) The response of an Eastern Amazonian rain forest to drought stress: results and modelling analyses from a throughfall exclusion experiment. *Global Change Biology*, **13**, 2361–2378.
- Foken T, Göckede M, Mauder M, Mahrt L, Amiro B, Munger W (2005) Post-field data quality control. *Handbook of Micrometeorology*, **29**, 181–208.
- Fox A, Williams M, Richardson AD *et al.* (2009) The REFLEX project: comparing different algorithms and implementations for the inversion of a terrestrial ecosystem model against eddy covariance data. *Agricultural and Forest Meteorology*, **149**, 1597–1615.
- Galbraith D (2010) Towards an improved understanding of climate change impacts on Amazonian rainforests. Unpublished PhD, The University of Edinburgh.
- Gomez Dans JL (2004) On the use of polarimetry and interferometry for SAR image analysis. Unpublished PhD, University of Sheffield.
- Goulden ML, Miller SD, Da Rocha HR, Menton MC, De Freitas HC, Figueira AMES, De Sousa CaD (2004) Diel and seasonal patterns of tropical forest CO₂ exchange. *Ecological Applications*, **14**, S42–S54.
- Gourlet-Fleury S, Guehl JM, Laroussinie O, (2004) *Ecology and Management of a Neotropical rainforest. Lessons drawn from Paracou, a Long-term Experimental Research Site in French Guiana*. Elsevier, Paris.
- Grant RF, Hutryra LR, De Oliveira RC, Munger JW, Saleska SR, Wofsy SC (2009) Modeling the carbon balance of Amazonian rain forests: resolving ecological controls on net ecosystem productivity. *Ecological Monographs*, **79**, 445–463.
- Herauld B, Beauchene J, Muller F, Wagner F, Baraloto C, Blanc L, Martin JM (2010) Modeling decay rates of dead wood in a neotropical forest. *Oecologia*, **164**, 243–251.
- Hill TC, Ryan E, Williams M (2012) The use of CO₂ flux time series for parameter and carbon stock estimation in carbon cycle research. *Global Change Biology*, **18**, 179–193.
- Hollinger DY, Richardson AD (2005) Uncertainty in eddy covariance measurements and its application to physiological models. *Tree Physiology*, **25**, 873–885.
- Hughes IG, Hase TPA (2010) *Measurements and their Uncertainties A Practical Guide to Modern Error Analysis*. Oxford University Press, Oxford, UK.
- Hutryra LR, Munger JW, Saleska SR *et al.* (2007) Seasonal controls on the exchange of carbon and water in an Amazonian rain forest. *Journal of Geophysical Research*, **G03008**. doi: 10.1029/2006JG000365.
- Hutryra LR, Munger JW, Hammond-Pyle E *et al.* (2008) Resolving systematic errors in estimates of net ecosystem exchange of CO₂ and ecosystem respiration in a tropical forest biome. *Agricultural and Forest Meteorology*, **148**, 1266–1279.
- Jupp TE, Cox PM, Rammig A, Thonicke K, Lucht W, Cramer W (2010) Development of probability density functions for future South American rainfall. *New Phytologist*, **187**, 682–693.
- Keller M, Palace M, Asner GP, Pereira R, Silva JNM (2004) Coarse woody debris in undisturbed and logged forests in the eastern Brazilian Amazon. *Global Change Biology*, **10**, 784–795.
- Kim Y, Knox RG, Longo M *et al.* (2012) Seasonal carbon dynamics and water fluxes in an Amazon rainforest. *Global Change Biology*, **18**, 1322–1334.
- Knorr W, Kattge J (2005) Inversion of terrestrial ecosystem model parameter values against eddy covariance measurements by Monte Carlo sampling. *Global Change Biology*, **11**, 1333–1351.
- Malhi Y, Nobre AD, Grace J, Kruijt B, Pereira MGP, Culf A, Scott S (1998) Carbon dioxide transfer over a Central Amazonian rain forest. *Journal of Geophysical Research-Atmospheres*, **103**, 31593–31612.
- Malhi Y, Aragao LEOC, Metcalfe DB *et al.* (2009) Comprehensive assessment of carbon productivity, allocation and storage in three Amazonian forests. *Global Change Biology*, **15**, 1255–1274.
- Malhi Y, Doughty C, Galbraith D (2011) The allocation of ecosystem net primary productivity in tropical forests. *Philosophical Transactions of the Royal Society B: Biological Sciences*, **366**, 3225–3245.
- Marengo JA, Chou SC, Kay G *et al.* (2012) Development of regional future climate change scenarios in South America using the Eta CPTEC/HadCM3 climate change projections: climatology and regional analyses for the Amazon, So Francisco and the Parana River basins. *Climate Dynamics*, **38**, 1829–1848.
- Meir P, Metcalfe DB, Costa AC, Fisher RA (2008) The fate of assimilated carbon during drought: impacts on respiration in Amazon rainforests. *Philosophical Transactions of the Royal Society B: Biological Sciences*, **363**, 1849–1855.
- Metcalfe DB, Meir P, Aragao LEOC *et al.* (2007) Factors controlling spatio-temporal variation in carbon dioxide efflux from surface litter, roots, and soil organic matter at four rain forest sites in the eastern Amazon. *Journal of Geophysical Research-Biogeosciences*, **112**, G04001. doi: 10.1029/2007JG000443.
- Metcalfe DB, Meir P, Aragao LE *et al.* (2010) Shifts in plant respiration and carbon use efficiency at a large-scale drought experiment in the eastern Amazon. *New Phytologist*, **187**, 608–621.

- Nepstad DC, Decarvalho CR, Davidson EA *et al.* (1994) The role of deep roots in the hydrological and carbon cycles of Amazonian forests and pastures. *Nature*, **372**, 666–669.
- Richardson AD, Williams M, Hollinger DY *et al.* (2010) Estimating parameters of a forest ecosystem C model with measurements of stocks and fluxes as joint constraints. *Oecologia*, **164**, 25–40.
- Robertson AL, Malhi Y, Farfan-Amezquita F, Aragao LEOC, Silva Espejo JE, Robertson MA (2010) Stem respiration in tropical forests along an elevation gradient in the Amazon and Andes. *Global Change Biology*, **16**, 3193–3204.
- Rowland L, Stahl C, Bonal D, Williams M, Siebicke L, Meir P (2013) The response of tropical rainforest dead wood respiration to seasonal drought. *Ecosystems*, doi: 10.1007/s10021-013-9684-x.
- Rutishauser E, Wagner F, Herault B, Nicolini E-A, Blanc L (2010) Contrasting above-ground biomass balance in a Neotropical rain forest. *Journal of Vegetation Science*, **21**, 672–682.
- Saleska SR, Miller SD, Matross DM *et al.* (2003) Carbon in amazon forests: unexpected seasonal fluxes and disturbance-induced losses. *Science*, **302**, 1554–1557.
- Sotta ED, Veldkamp E, Schwendenmann L *et al.* (2007) Effects of an induced drought on soil carbon dioxide (CO₂) efflux and soil CO₂ production in an Eastern Amazonian rainforest, Brazil. *Global Change Biology*, **13**, 2218–2229.
- Stahl C, Burban B, Goret J-Y, Bonal D (2011) Seasonal variations in stem CO₂ efflux in the Neotropical rainforest of French Guiana. *Annals of Forest Science*, **68**, 771–782.
- Stahl C, Burban B, Wagner F, Goret J-Y, Bompy F, Bonal D (2013) Influence of seasonal variations in soil water availability on gas exchange of tropical canopy trees. *Biotropica*, **45**, 155–164.
- Verbeeck H, Peylin P, Bacour C, Bonal D, Steppe K, Ciais P (2011) Seasonal patterns of CO₂ fluxes in Amazon forests: fusion of eddy covariance data and the ORCHIDEE model. *Journal of Geophysical Research*, **116**, G02018. doi: 10.1029/2010JG001544.
- Wagner F, Héroult B, Stahl C, Bonal D, Rossi V (2011) Modeling water availability for trees in tropical forests. *Agricultural and Forest Meteorology*, **151**, 1202–1213.
- Wagner F, Rossi V, Stahl C, Bonal D, Herault B (2012) Water availability is the main climate driver of neotropical tree growth. *PLoS ONE*, **7**, 1202–1213.
- Waring RH, Landsberg JJ, Williams M (1998) Net primary production of forests: a constant fraction of gross primary production? *Tree Physiology*, **18**, 129–134.
- Williams M (1996) A three-dimensional model of forest development and competition. *Ecological Modelling*, **89**, 73–98.
- Williams M, Rastetter EB, Fernandes DN, Goulden ML, Shaver GR, Johnson LC (1997) Predicting gross primary productivity in terrestrial ecosystems. *Ecological Applications*, **7**, 882–894.
- Williams M, Schwarz PA, Law BE, Irvine J, Kurpius MR (2005) An improved analysis of forest carbon dynamics using data assimilation. *Global Change Biology*, **11**, 89–105.

Supporting Information

Additional Supporting Information may be found in the online version of this article:

Figure S1. Relationship between daily average soil water content (SWC m³ m⁻³) from surface 10 cm and heterotrophic soil respiration ($R_{s \text{ hetero}}$). $R_{s \text{ hetero}}$ is derived from the measured daily average soil respiration (g C m⁻² d⁻¹) corrected to remove the effects of temperature response and respiration from roots, shown in grey points. A log-normal curve is fitted through these points (black line; $y = c * (1 / ((swc + d) * \sqrt{2\pi} * a^2)) * \exp(-((\log(swc + d) - b)^2 / (2 * a^2)))$), where $a = 1.04$, $b = -1.45$, $c = 0.088$ and $d = -0.08$.

Data S1. Supporting information for the methods section.