



**HAL**  
open science

# Singing voice detection with deep recurrent neural networks

Simon Leglaive, Romain Hennequin, Roland Badeau

► **To cite this version:**

Simon Leglaive, Romain Hennequin, Roland Badeau. Singing voice detection with deep recurrent neural networks. 40th International Conference on Acoustics, Speech and Signal Processing (ICASSP), Apr 2015, Brisbane, Australia. pp.121-125. hal-01110035

**HAL Id: hal-01110035**

**<https://hal.science/hal-01110035v1>**

Submitted on 27 Apr 2015

**HAL** is a multi-disciplinary open access archive for the deposit and dissemination of scientific research documents, whether they are published or not. The documents may come from teaching and research institutions in France or abroad, or from public or private research centers.

L'archive ouverte pluridisciplinaire **HAL**, est destinée au dépôt et à la diffusion de documents scientifiques de niveau recherche, publiés ou non, émanant des établissements d'enseignement et de recherche français ou étrangers, des laboratoires publics ou privés.

# SINGING VOICE DETECTION WITH DEEP RECURRENT NEURAL NETWORKS

Simon Leglaive<sup>1,2</sup>      Romain Hennequin<sup>1</sup>      Roland Badeau<sup>2</sup>

<sup>1</sup> Audionamix, 171 quai de Valmy, 75010 Paris, France

<firstname>.<lastname>@audionamix.com

<sup>2</sup> Institut Mines-Télécom, Télécom ParisTech, CNRS LTCI, 37-39 rue Dareau, 75014 Paris, France

<firstname>.<lastname>@telecom-paristech.fr

## ABSTRACT

In this paper, we propose a new method for singing voice detection based on a Bidirectional Long Short-Term Memory (BLSTM) Recurrent Neural Network (RNN). This classifier is able to take a past and future temporal context into account to decide on the presence/absence of singing voice, thus using the inherent sequential aspect of a short-term feature extraction in a piece of music. The BLSTM-RNN contains several hidden layers, so it is able to extract a simple representation fitted to our task from low-level features. The results we obtain significantly outperform state-of-the-art methods on a common database.

**Index Terms**— Singing Voice Detection, Deep Learning, Recurrent Neural Networks, Long Short-Term Memory

## 1. INTRODUCTION AND PREVIOUS WORK

From the audio of a piece of music, localizing the portions that contain singing voice is a strong information that can be useful for a variety of applications including vocal melody extraction [1], singing voice separation [2, 3] or singer identification [4].

State-of-the-art methods for singing voice detection are usually based on machine learning techniques. They start by extracting a set of features from a short-term analysis of the audio signal and provide these features as an input to a classification system such as Support Vector Machines (SVMs) [3, 5], Hidden Markov Models (HMMs) [2], Random Forests [6, 7] or Artificial Neural Networks (ANNs) [3]. The result of the classifier is then used to estimate the vocal and non-vocal segments of the track, possibly adding a final step of temporal smoothing, for instance by means of a median filter [6] or a HMM [5]. One can also add a pre-processing step: in [2] features are computed from a signal with vocal components enhanced by a Harmonic/Percussive Source Separation (HPSS) technique proposed by Ono *et al.* in [8].

The mostly used features come from the speech processing field. In [3] the authors use a simple combination of MFCCs (Mel-Frequency Cepstral Coefficients), PLPs (Perceptual Linear Predictive Coefficients) and LFPCs (Log Frequency Power Coefficients) as a feature set. According to [9], MFCCs and their derivatives are the most appropriate features. Lehner *et al.* brought to light in [6] the importance of optimizing the parameters for the MFCCs computation, that is the filter bank size, the number of MFCCs and the analysis window size. They obtain quite good results only using

these features. In [10], Regnier *et al.* extract specific characteristics of singing voice: vibrato and tremolo.

In order to improve state-of-the-art results, current singing voice detection techniques usually focus on the feature set. One possible approach is to combine a lot of different simple features. In [5], Ramona *et al.* consider a very large set of quite low-level features extracted by two signal analyses with different time scales. They keep the most discriminating ones and make use of an SVM for classification. Another approach is to design high-level features that highlight the information we want to extract. This approach is followed by Lehner *et al.* in [7]; features used in this method allow a considerable reduction of the false-positive rate because they are designed to discriminate singing voice from other confusing highly harmonic instruments (such as violin, flute, guitar...). They use a random forest to decide on the presence of voice for each feature vector.

The approach we present here for singing voice detection is quite different because we do not focus on elaborating the best set of features. The main point of our work is the use of a deep BLSTM-RNN to detect singing voice. We show that a deep architecture, with several layers of processing, is able to perform well from low-level features. Moreover, unlike making use of models for frame classification and temporal smoothing that cannot be easily optimized simultaneously, the recurrent aspect of the network allows the system to take a past and future temporal context into account to classify each input vector.

The paper is organized as follows. Section 2 outlines RNNs and LSTM blocks. In Section 3 we present the features we used and how we built the network. We describe in Section 4 our results. Finally, in Section 5 we present our conclusions.

## 2. RECURRENT NEURAL NETWORKS AND LONG SHORT-TERM MEMORY

### 2.1. Recurrent Neural Networks

An ANN is an assembly of inter-connected neurons. A neuron computes its output by applying a nonlinear activation function to the weighted sum of its inputs. Weights are estimated during the training procedure. A Multi-Layer Perceptron (MLP) is a feedforward ANN that maps inputs to outputs by propagating data from the input layer to the output layer, through hidden layers. Adding recurrent connections between neurons makes it possible to handle the sequential aspect of the inputs. Let us denote the sequence of input feature vectors  $S_x = \{\mathbf{x}_1, \dots, \mathbf{x}_T\}$ . In the most general framework, a deep RNN with  $N$  hidden layers evaluates the sequence of hidden vectors  $S_h^{(n)} = \{\mathbf{h}_1^{(n)}, \dots, \mathbf{h}_T^{(n)}\}$  for  $n = 1$  to  $N$ , and the sequence of output vectors  $S_y = \{\mathbf{y}_1, \dots, \mathbf{y}_T\}$  by the following iterative computation :

---

This work was undertaken while Simon Leglaive was working at Audionamix. Roland Badeau is partly supported by the French National Research Agency (ANR) as a part of the EDISON 3D project (ANR-13-CORD-0008-02).

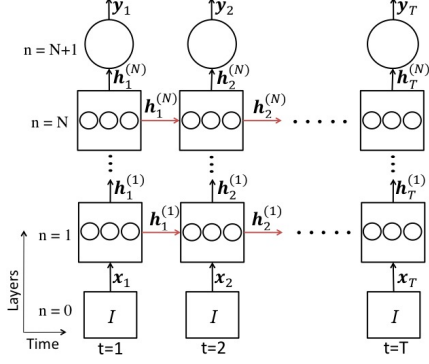


Fig. 1. RNN unfolded in time

$$\mathbf{h}_t^{(0)} = \mathbf{x}_t \quad (1)$$

$$\mathbf{h}_t^{(n)} = f_{act}^{(n)}(\mathbf{W}^{(n-1,n)} \mathbf{h}_t^{(n-1)} + \mathbf{W}^{(n,n)} \mathbf{h}_{t-1}^{(n)} + \mathbf{b}^{(n)}) \quad (2)$$

$$\mathbf{y}_t = f_{act}^{(N+1)}(\mathbf{W}^{(N,N+1)} \mathbf{h}_t^{(N)} + \mathbf{b}^{(N+1)}) \quad (3)$$

for  $n = 1, \dots, N$  and  $t = 1, \dots, T$ , where  $T$  is the number of frames. The input layer is associated to  $n = 0$  and the output layer to  $n = N + 1$ .  $\mathbf{h}_t^{(n)}$  denotes the hidden vector at the output of hidden layer  $n$  and at time frame  $t$ , it is set to zero at  $t = 0$ .  $\mathbf{W}^{(n-1,n)}$  is the weight matrix characterizing the feed-forward connections from layer  $n - 1$  to  $n$ , while  $\mathbf{W}^{(n,n)}$  characterizes the recurrent connections of hidden layer  $n$ .  $\mathbf{b}^{(n)}$  denotes the bias vector and  $f_{act}^{(n)}$  the element-wise activation function for layer  $n$ , often chosen to be the logistic sigmoid or hyperbolic tangent function.  $\mathbf{h}_t^{(n)}$  depends not only on the output of the layer below at time frame  $t$ , but also on the output of the current layer  $n$  at time frame  $t - 1$ , so there are two directions of propagation as represented on Figure 1: in the depth of the layers, like standard MLP, and in time. RNNs are inherently deep in time, since their hidden vectors are a function of all the previous ones. They are able to model the dynamic of the input stream, they are thus classifiers that can handle the sequential aspect of input features extracted from the short-term analysis of a musical audio signal. In a classification task, an RNN considers a past temporal context to classify each input vector, the length of this context is automatically learned through the weights associated to the recurrent connections. However, a strong limitation for such a sequence classifier is that, with a gradient-based training algorithm, the temporal context learned is in practice limited to only a few instants, because of the *vanishing gradient problem* [11]: the temporal evolution of the back-propagated error exponentially depends on the magnitude of the weights. Thus, the error tends to either blow up or vanish as it is back-propagated in time, leading to oscillating weights, or weights which stay nearly constant. In both cases the training procedure is ineffective and the network fails to learn long-term dependencies.

## 2.2. Long Short-Term Memory

To overcome this issue, we can use LSTM blocks instead of simple neurons in each hidden layer. As represented on Figure 2, each LSTM block involves a memory cell. While the network is performing the classification, its content is controlled at each time step by the input and forget gates. The cell can store the input of the block it belongs to as long as necessary. The block output is controlled by the output gate. During the training phase, error signals can be trapped within a memory cell, multiplicative gates will have to learn

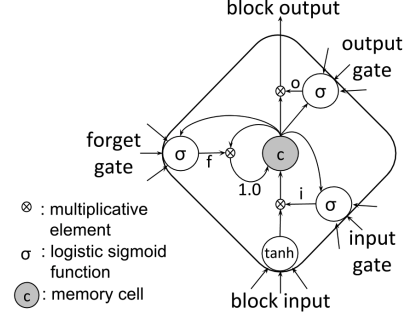


Fig. 2. LSTM block

which error to trap and when to release it. LSTM blocks are thus designed to solve the vanishing gradient problem [12]. The previous iterative procedure to compute the output vector of each hidden layer (equation (2)) is modified as follows [13, 14]:

$$\mathbf{i}_t^{(n)} = \sigma(\mathbf{W}_{(h,i)}^{(n-1,n)} \mathbf{h}_t^{(n-1)} + \mathbf{W}_{(h,i)}^{(n,n)} \mathbf{h}_{t-1}^{(n)} + \mathbf{W}_{(c,i)}^{(n,n)} \mathbf{c}_{t-1}^{(n)} + \mathbf{b}_i^{(n)}) \quad (4)$$

$$\mathbf{f}_t^{(n)} = \sigma(\mathbf{W}_{(h,f)}^{(n-1,n)} \mathbf{h}_t^{(n-1)} + \mathbf{W}_{(h,f)}^{(n,n)} \mathbf{h}_{t-1}^{(n)} + \mathbf{W}_{(c,f)}^{(n,n)} \mathbf{c}_{t-1}^{(n)} + \mathbf{b}_f^{(n)}) \quad (5)$$

$$\mathbf{c}_t^{(n)} = \mathbf{f}_t^{(n)} \odot \mathbf{c}_{t-1}^{(n)} + \mathbf{i}_t^{(n)} \odot \tanh(\mathbf{W}_{(h,c)}^{(n-1,n)} \mathbf{h}_t^{(n-1)} + \mathbf{W}_{(h,c)}^{(n,n)} \mathbf{h}_{t-1}^{(n)} + \mathbf{W}_{(c,c)}^{(n,n)} \mathbf{c}_{t-1}^{(n)} + \mathbf{b}_c^{(n)}) \quad (6)$$

$$\mathbf{o}_t^{(n)} = \sigma(\mathbf{W}_{(h,o)}^{(n-1,n)} \mathbf{h}_t^{(n-1)} + \mathbf{W}_{(h,o)}^{(n,n)} \mathbf{h}_{t-1}^{(n)} + \mathbf{W}_{(c,o)}^{(n,n)} \mathbf{c}_{t-1}^{(n)} + \mathbf{b}_o^{(n)}) \quad (7)$$

$$\mathbf{h}_t^{(n)} = \mathbf{o}_t^{(n)} \odot \tanh(\mathbf{c}_t^{(n)}) \quad (8)$$

where  $\odot$  denotes the element-wise product.  $\sigma(\cdot)$  and  $\tanh(\cdot)$  are respectively the element-wise logistic sigmoid and hyperbolic tangent functions.  $\mathbf{i}_t^{(n)}$ ,  $\mathbf{f}_t^{(n)}$ ,  $\mathbf{o}_t^{(n)}$  and  $\mathbf{c}_t^{(n)}$  are respectively the input gate, forget gate, output gate and memory cell activation vectors at hidden layer  $n$  and time frame  $t$ . These vectors are of the same size as the hidden vector  $\mathbf{h}_t^{(n)}$ , that is the number of LSTM blocks in hidden layer  $n$ . Hidden vectors and memory cell vectors are set to zero at  $t = 0$ . Note that equations (4) to (7) involve different weight matrices  $\mathbf{W}_{(\cdot,\cdot)}^{(\cdot,n)}$ , and bias vectors  $\mathbf{b}_{(\cdot)}^{(n)}$ . Moreover, the weight matrices from memory cells to multiplicative gates  $\mathbf{W}_{(c,\cdot)}^{(n,n)}$  are diagonal, so that a multiplicative gate only considers the memory cell of the LSTM block it belongs to.

## 2.3. Bidirectional Recurrent Neural Networks

RNNs are only able to make use of a past temporal context. When the whole sequence of input features is available, it can be useful to exploit the future context as well. This can be done using a bidirectional RNN (BRNN). Each hidden layer of a BRNN contains two independent layers: the forward layer ( $\rightarrow$ ) that applies equation (2) from  $t = 1$  to  $t = T$  and the backward layer ( $\leftarrow$ ) that proceeds in the reverse order, replacing  $t - 1$  by  $t + 1$  and iterating over  $t = T, \dots, 1$ . For each time step  $t$ , the activations of the  $n$ -th forward and backward hidden layers are concatenated in a single vector (equation (9)) and supplied as an input to the next layer:

$$\mathbf{h}_t^{(n)} = [\overset{\rightarrow}{\mathbf{h}}_t^{(n)}; \overset{\leftarrow}{\mathbf{h}}_t^{(n)}] \quad (9)$$

LSTM-RNNs have proven their superiority over standard RNNs to learn long-term dependencies [12] and with a precise timing [15]. To make use of a long-range past and future temporal context to classify each input vector, the ideas of deep BRNNs and LSTM can thus be combined to form deep BLSTM-RNNs. This is the architecture we adopted in this study.

### 3. SYSTEM OVERVIEW

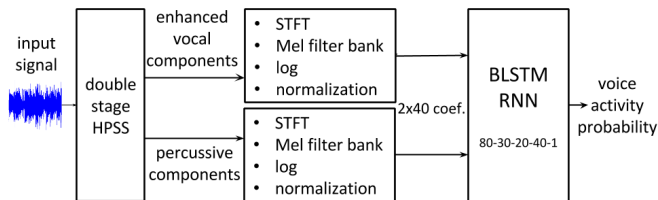


Fig. 3. System Overview

As represented on Figure 3, the proposed system first applies a double stage HPSS as pre-processing. Features are then extracted from a filter bank on a Mel scale and supplied as input to the deep BLSTM-RNN. The blocks of our system are described in more details below.

#### 3.1. Feature Extraction

Instead of presenting high-level features at the input of the classifier, whose design is essentially handcrafted and possibly sub-optimal, we chose to use low-level features, extracted from a filter bank distributed on a Mel scale. We were hoping that, through the hidden layers, a deep architecture would be able to extract higher-level representations of the input data, fitted to our task.

To compute the features, we work on mono signals resampled at 16kHz and normalized to lie between  $-1$  and  $1$ . We first apply a double stage HPSS as proposed in [16]. The original idea of HPSS [8] is to decompose the spectrogram of the input signal into one spectrogram smooth in time direction, associated to harmonic components, and another spectrogram smooth in frequency direction, associated to percussive components. Singing voice is a fluctuating sound, not as stationary as harmonic instruments like piano or guitar, but obviously much more than percussive ones, it thus lies between harmonic and percussive components in HPSS. By controlling the time/frequency resolution through the analysis window, we thus can consider the partials of singing voice as smooth in time or frequency direction. From a first HPSS with a long (256ms) analysis window, singing voice is associated to percussive components into a signal  $p_1(t)$ , and separated from temporally-stable, harmonic sounds contained in a signal  $h_1(t)$ . Applying a second HPSS from  $p_1(t)$ , with a short analysis window (32ms), singing voice is then associated to harmonic components into a signal  $h_2(t)$ , and isolated from percussive sounds that will be contained in a signal  $p_2(t)$ . Finally,  $h_2(t)$  is a rough estimation of the singing voice signal.

For each of the three signals  $h_1(t)$ ,  $p_2(t)$  and  $h_2(t)$ , we computed the Short-Time Fourier Transform (STFT) with a 32ms Hann window and 50% overlap. 40 coefficients are then extracted from 40 triangular filters linearly spaced on a Mel scale with 50% overlap. A frequency equal to  $f$  Hertz is mapped to Mel by  $f_{Mel} = 2595 \log(1 + f/700)$  [17]. We tried different combinations of features from the three signals, we obtained the best results by keeping features from signals associated to singing voice and percussive

components. Our feature vector is thus 80 coefficient-long corresponding to the concatenation of the outputs of the filter bank applied to  $h_2(t)$  and  $p_2(t)$ . We consider the logarithm of this vector, in order to reduce the dynamics of the data. Finally, each dimension of the input vector is normalized so as to have a mean close to zero and a standard deviation close to 1 over the training database. This conditioning, along with weights initialization, is important in order to prevent neurons saturation and to make the learning fast [18].

#### 3.2. Building the Network by Incremental Training

| $b_n$ :             | 10         | 20          | 30          | 40         | 50   |
|---------------------|------------|-------------|-------------|------------|------|
| $80-b_1-1$          | 15.5       | 14.6        | <b>13.5</b> | 14.1       | 14.2 |
| $80-30-b_2-1$       | 11.4       | <b>10.7</b> | 12.2        | 12.4       | 14.0 |
| $80-30-20-b_3-1$    | 9.4        | 9.3         | 10.5        | <b>8.5</b> | 9.6  |
| $80-30-20-40-b_4-1$ | <b>9.3</b> | 10.0        | 9.4         | 12.0       | 9.4  |

Table 1. Classification error (%) on the Jamendo test dataset (cf. Section 4.1) according to the network architecture - The left column gives layer sizes from input to output -  $b_n$  is the number of LSTM blocks in hidden layer  $n$ .

A difficulty with neural networks is that there is no theoretical evidence to define the architecture *a priori* for a given task, that is the number of hidden layers and the number of neurons or LSTM blocks within each layer. The input layer size is fixed by the dimension of the input vector, 80 for our experiments. As we are working on a binary classification task, there is one unique neuron in the output layer with a logistic sigmoid activation function. Its output is an estimation of the probability of singing voice presence.

For a deep RNN with several hidden layers, an incremental procedure to train the network has been proposed in [19], which progressively adds the hidden layers. It allows each layer to have some time during training in which it is directly connected to the output layer. When a hidden layer is added, the weights previously learned from the layers below are kept and then the whole network is trained. For the current hidden layer and the output one, we choose to initialize the weights according to a Gaussian distribution with mean 0 and standard deviation 0.1. We found this training procedure to be more effective than a raw training of the whole network. The explanation is suggested in [20], the authors experimentally show that in a supervised gradient-trained deep neural network with random weights initialization, layers far from the outputs are poorly optimized. The authors thus propose an independent pre-training of each hidden layer. The incremental procedure we used here is another solution.

In our work, we extended this procedure in order to automatically learn the network architecture during the training: we add hidden layers progressively and for each one we choose the size  $b_n$  that minimizes the classification error on the test dataset, as represented in Table 1. The procedure is stopped when adding a new hidden layer does not improve the classification results. When training a neural network, we are not much interested in the optimization problem, but rather in the generalization one. By considering the classification error on the test dataset, we are looking for the model that best generalizes to unseen data.

As we can see from the results in Table 1, the best architecture we found is a BLSTM-RNN with three hidden layers whose sizes are 30, 20 and 40. Within each layer, LSTM blocks are fairly distributed between forward and backward layers.

### 3.3. Training Algorithm

As the output of the network is an estimation of the probability of singing voice presence, we used the cross-entropy error as loss function. Each training phase is done by Back-Propagation Through Time (BPTT) in the context of LSTM networks [21, 14]. We used the open-source CURRENNT Toolkit<sup>1</sup> which implements BPTT on a Graphics Processing Unit (GPU). Weights are updated after each sequence. Within each epoch, sequences are selected randomly.

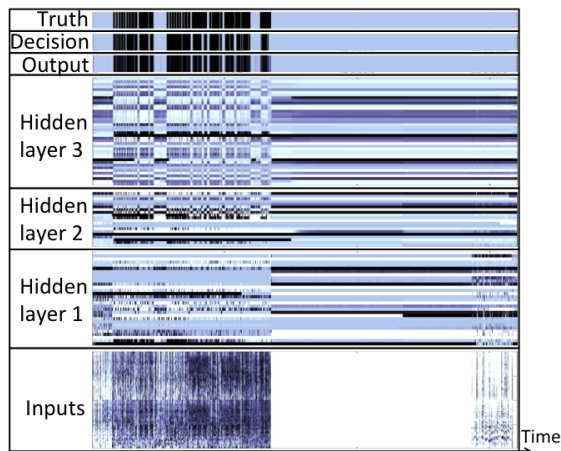
Over-fitting is controlled by early-stopping: training starts with a step for the gradient descent  $\eta = 10^{-5}$  and a momentum  $m = 0.9$ . If the cross-entropy error does not improve on the validation set after 20 epochs, we set  $\eta = 10^{-6}$  and the training continues from the weights associated with the last improvement. After 10 epochs, if there is no improvement, we set  $\eta = 10^{-7}$  and the training continues as before, and finally, if there is no improvement with this last step during 10 epochs, training is stopped. The momentum is chosen close to one in order to keep inertia high enough to avoid local minima and to attenuate the oscillatory trajectory of the stochastic gradient descent.

## 4. RESULTS

### 4.1. Jamendo : A Common Benchmark Dataset

For our experiments, we used the Jamendo Corpus, a publicly available dataset including singing voice activity annotations. It contains 93 copyright-free songs, retrieved from the Jamendo website<sup>2</sup>. The database was built and published along with [5]. The corpus is divided into three sets: the training set contains 61 files, the validation and test sets contain 16 songs each. This is a common database, which provides a fair comparison of our approach with others from the literature.

### 4.2. Network Functioning



**Fig. 4.** Network functioning on a 7s excerpt of "03 - Say me goodbye" from the Jamendo test database - color scale between -1 (white) and +1 (black) - "Output" belongs to  $[0,1]$  - "Decision" and "Truth" belong to  $\{0,1\}$  in which 0 (grey segments) denotes voice absence and 1 (black segments) denotes voice presence.

<sup>1</sup><http://sourceforge.net/p/currennt>

<sup>2</sup><http://www.jamendo.com>

To highlight the network internal functioning, we represent on Figure 4 the sequence of input vectors ( $h_2(t)$  at the lower half and  $p_2(t)$  at the upper one, cf. Section 3.1), the output of each hidden layer, the output of the network which is an estimation of the probability of singing voice presence, the decision taken by the network by thresholding this probability at 0.5, and the ground truth for about 7s of a track from the Jamendo test dataset. Through the depth of the network, the outputs of the layers are more and more stable and a clear temporal structure emerges, with the appearance of segments associated to singing voice presence/absence. From a low-level representation, which is highly temporally variable, extracted by a filter bank on a Mel scale, the network is able to extract a simple representation at the output of the third hidden layer, highlighting singing voice presence. The track we used here contains a long total silence section. We can see that the outputs of the hidden layers continue to vary during this section while inputs remain constant. This observation shows that the network has learned a temporal context.

### 4.3. Results

To evaluate the performance of our system, we compute four common evaluation measures [22] considering all the frames of the test set. The classification *Accuracy* is the proportion of frames correctly classified. The *Recall* is the proportion of frames labeled as voiced in the ground truth that are estimated as voiced by the algorithm. The *Precision* is the proportion of frames estimated as voiced by the algorithm that are effectively voiced in the ground truth. Finally, the *F-measure* (also called *F1 score*) is a global performance measure corresponding to the harmonic mean of precision and recall.

Table 2 compares the results of our method with those from [5], [6] and [7], the latter being the one which provided the best results on this database to the best of our knowledge. We see that over all the measures, our system performs better. This is remarkable considering that we used simple low-level features and no post-processing. In [7], Lehner *et al.* improved precision by means of specifically designed features but to the detriment of recall compared to their previous method in [6]. In fact, manually designing high-level features can be sub-optimal. Conversely, the deep BLSTM-RNN we used has automatically learned how to extract useful information from low-level features to finally improve both recall and precision. This is noticeable and explains the particularly high F-measure we obtain.

|                      | RAMONA [5] | LEHNER(a) [6] | LEHNER(b) [7] | NEW         |
|----------------------|------------|---------------|---------------|-------------|
| <b>Accuracy (%)</b>  | 82.2       | 84.8          | 88.2          | <b>91.5</b> |
| <b>Recall (%)</b>    | n/a        | 90.4          | 86.2          | <b>92.6</b> |
| <b>Precision (%)</b> | n/a        | 79.5          | 88.0          | <b>89.5</b> |
| <b>F-measure</b>     | 84.3       | 84.6          | 87.1          | <b>91.0</b> |

**Table 2.** Singing voice detection results on Jamendo test database

## 5. CONCLUSION

In this paper we presented a new approach for singing voice detection. Instead of working on defining a complex feature set, we took advantage of neural networks to extract simple representations fitted to our task from low-level features. Furthermore, the BLSTM-RNN we used is a classifier that inherently takes a temporal context into account, thus discarding the necessity of post-processing to handle sequential aspects. This new method significantly improved state-of-the-art results on a common database. This performance encourages further work with BLSTM-RNN in music information retrieval for sequence classification tasks, for instance in the context of automatic melody estimation.

## 6. REFERENCES

- [1] Justin Salamon, Emilia Gomez, Dan Ellis, and Gaël Richard, “Melody extraction from polyphonic music signals: Approaches, applications and challenges,” *IEEE Signal Processing magazine*, vol. 31, no. 2, pp. 118–134, Mar. 2014.
- [2] Chao-Ling Hsu, DeLiang Wang, Jyh-Shing Roger Jang, and Ke Hu, “A tandem algorithm for singing pitch extraction and voice separation from music accompaniment,” *IEEE Transactions on Audio, Speech, and Language Processing*, vol. 20, no. 5, pp. 1482–1491, Jul. 2012.
- [3] Shankar Vembu and Stephan Baumann, “Separation of vocals from polyphonic audio recordings,” in *International Society for Music Information Retrieval (ISMIR) Conference*, London, UK, Sep. 2005, pp. 337–344.
- [4] Youngmoo E. Kim and Brian Whitman, “Singer identification in popular music recordings using voice coding features,” in *International Society for Music Information Retrieval (ISMIR) Conference*, Paris, France, Oct. 2002, vol. 13, p. 17.
- [5] Mathieu Ramona, Gaël Richard, and Bertrand David, “Vocal detection in music with support vector machines,” in *IEEE International Conference on Acoustics, Speech and Signal Processing (ICASSP)*, Las Vegas, Nevada, USA, Mar. - Apr. 2008, pp. 1885–1888.
- [6] Bernhard Lehner, Reinhard Sonnleitner, and Gerhard Widmer, “Towards light-weight, real-time-capable singing voice detection,” in *International Society for Music Information Retrieval (ISMIR) Conference*, Curitiba, Brazil, Nov. 2013, pp. 53–58.
- [7] Bernhard Lehner, Gerhard Widmer, and Reinhard Sonnleitner, “On the reduction of false positives in singing voice detection,” in *IEEE International Conference on Acoustics, Speech and Signal Processing (ICASSP)*, Florence, Italy, May 2014, pp. 7480–7484.
- [8] Nobutaka Ono, Kenichi Miyamoto, Jonathan Le Roux, Hirokazu Kameoka, and Shigeki Sagayama, “Separation of a monaural audio signal into harmonic/percussive components by complementary diffusion on spectrogram,” in *European Signal Processing Conference (EUSIPCO)*, Lausanne, Switzerland, Aug. 2008.
- [9] Martín Rocamora and Perfecto Herrera, “Comparing audio descriptors for singing voice detection in music audio files,” in *Brazilian Symposium on Computer Music (SBCM)*, San Pablo, Brazil, Sep. 2007, vol. 26, p. 27.
- [10] Lise Regnier and Geoffroy Peeters, “Singing voice detection in music tracks using direct voice vibrato detection,” in *IEEE International Conference on Acoustics, Speech and Signal Processing (ICASSP)*, Taipei, Taiwan, Apr. 2009, pp. 1685–1688.
- [11] Sepp Hochreiter, Yoshua Bengio, Paolo Frasconi, and Jürgen Schmidhuber, “Gradient flow in recurrent nets: the difficulty of learning long-term dependencies,” in *A Field Guide to Dynamical Recurrent Neural Networks*, Kremer and Kolen, Eds. IEEE Press, 2001.
- [12] Sepp Hochreiter and Jürgen Schmidhuber, “Long short-term memory,” *Neural computation*, vol. 9, no. 8, pp. 1735–1780, Nov. 1997.
- [13] Alex Graves, Abdel-rahman Mohamed, and Geoffrey Hinton, “Speech recognition with deep recurrent neural networks,” in *IEEE International Conference on Acoustics, Speech and Signal Processing (ICASSP)*, Vancouver, BC, Canada, May 2013, pp. 6645–6649.
- [14] Alex Graves, *Supervised Sequence Labelling with Recurrent Neural Networks*, Ph.D. thesis, Technische Universität München, Jul. 2008.
- [15] Felix A. Gers, Nicol N. Schraudolph, and Jürgen Schmidhuber, “Learning precise timing with LSTM recurrent networks,” *The Journal of Machine Learning Research*, vol. 3, pp. 115–143, Aug. 2002.
- [16] Hideyuki Tachibana, Takuma Ono, Nobutaka Ono, and Shigeki Sagayama, “Melody line estimation in homophonic music audio signals based on temporal-variability of melodic source,” in *IEEE International Conference on Acoustics, Speech and Signal Processing (ICASSP)*, Dallas, Texas, USA, Mar. 2010, pp. 425–428.
- [17] Douglas D. O’Shaughnessy, *Speech communications - human and machine (2. ed.)*, IEEE Press, 2000, p. 128.
- [18] Yann LeCun, Leon Bottou, Genevieve B. Orr, and Klaus-Robert Müller, “Efficient BackProp,” in *Neural Networks: Tricks of the trade*, Genevieve B. Orr and Klaus-Robert Müller, Eds. 1998, Springer.
- [19] Michiel Hermans and Benjamin Schrauwen, “Training and analysing deep recurrent neural networks,” in *Advances in Neural Information Processing Systems (NIPS)*, Harrahs and Harveys, Lake Tahoe, Nevada, United States, Dec. 2013, pp. 190–198.
- [20] Yoshua Bengio, Pascal Lamblin, Dan Popovici, and Hugo Larochelle, “Greedy layer-wise training of deep networks,” in *Advances in Neural Information Processing Systems (NIPS)*, Vancouver, BC, Canada, Dec. 2007, vol. 19, p. 153.
- [21] Alex Graves and Jürgen Schmidhuber, “Framewise phoneme classification with bidirectional LSTM and other neural network architectures,” *Neural Networks*, Jul.-Aug. 2005.
- [22] Marina Sokolova and Guy Lapalme, “A systematic analysis of performance measures for classification tasks,” *Information Processing & Management*, vol. 45, no. 4, pp. 427–437, Jul. 2009.