



HAL
open science

Fragmentation mechanisms of cellulose pyrolysis tars investigated by tunable synchrotron VUV Q-TOF-MS , Linz, Austria, May 2012 References

A Dufour, J Weng, L Jia, X Tang, R Fournet, H Le Gall, P Beaurain, Y Niedergang, B Sirjean, G Mauviel, et al.

► **To cite this version:**

A Dufour, J Weng, L Jia, X Tang, R Fournet, et al.. Fragmentation mechanisms of cellulose pyrolysis tars investigated by tunable synchrotron VUV Q-TOF-MS , Linz, Austria, May 2012 References. 19th International Symposium on Analytical and Applied Pyrolysis, May 2012, Linz, Austria. hal-01089377

HAL Id: hal-01089377

<https://hal.science/hal-01089377>

Submitted on 1 Dec 2014

HAL is a multi-disciplinary open access archive for the deposit and dissemination of scientific research documents, whether they are published or not. The documents may come from teaching and research institutions in France or abroad, or from public or private research centers.

L'archive ouverte pluridisciplinaire **HAL**, est destinée au dépôt et à la diffusion de documents scientifiques de niveau recherche, publiés ou non, émanant des établissements d'enseignement et de recherche français ou étrangers, des laboratoires publics ou privés.

Fragmentation mechanisms of cellulose pyrolysis tars investigated by tunable synchrotron VUV Q-TOF-MS

A. Dufour^{1*}, J. Weng², L. Jia², X. Tang², R. Fournet¹, H. Le Gall¹, P. Beaurain¹, Y. Niedergang¹, B. Sirjean¹, G. Mauviel¹, F. Qi^{2*}

¹ Laboratory of Reactions and Process Engineering, CNRS, Lorraine University, ENSIC, 1 rue Grandville 54000 Nancy, France *anthony.dufour@ensic.inpl-nancy.fr

² National Synchrotron Radiation Laboratory, University of Science and Technology of China, Hefei, Anhui 230029, P. R. China, *fqj@ustc.edu.cn

High importance to understand the mechanisms of tars ionisation and fragmentation

Need of tars on-line analysis to monitor the thermo-chemical processes and fundamental study on pyrolysis [1]

Soft ionisation conditions should be selected to reduce ions fragmentation

Currently used electronic impact leads to low ionisation accuracy and high fragmentation of tars/ions

Single Photo-Ionisation (SPI) with Vacuum Ultra-Violet (VUV) light has shown high benefits for tars analysis [2]

A unique set-up has been developed in Hefei (China)

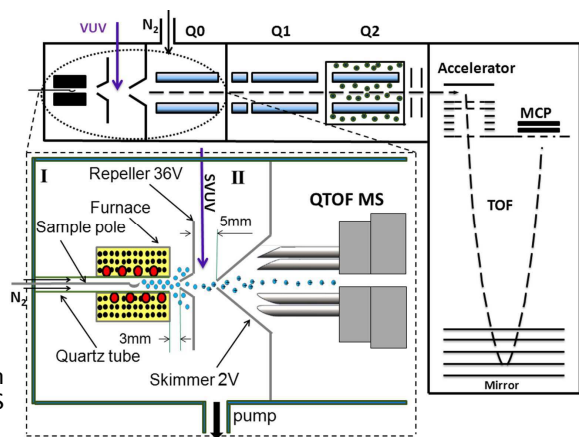
Pyrolysis of solid materials in a pre-heated furnace under vacuum

Tars introduced in an ionisation chamber through a heated skimmer
Ionization energy is accurate and tunable thanks to the synchrotron VUV light (S VUV in Fig. 1) [3]

Ions are analysed by a triple quadrupole and time of flight mass spectrometer (Q-TOF-MS)

Molecular structure of ions can be revealed by MS*MS analysis thanks to the Q-TOF-MS

Fig. 1. Pyrolysis furnace coupled to Synchrotron VUV light ionisation and Q-TOF-MS



Effect of ionisation energy on cellulose tars/ions

Minimum ionisation threshold of some major cellulose tars calculated by compound method calculation (CBS-QB3) [4] (Tab. 1)

Structure	g/mol	IE (eV)
	60	9.88
	96	9.19
	126	8.76
	144	9.02
	162	8.82

Tab. 1. Molecular structure and minimum ionisation threshold of some major cellulose primary tars

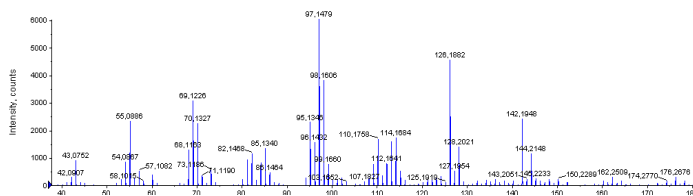


Fig. 2. Exemple of mass spectra obtained for cellulose pyrolysis at a reactor temperature of 350°C, synchrotron VUV IE of 10.5eV

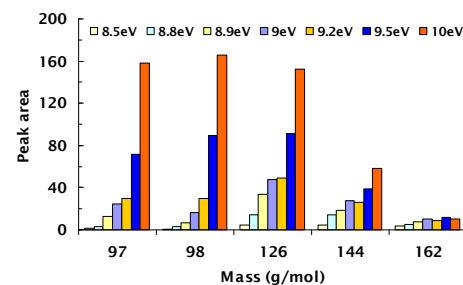


Fig. 3. Effect of ionisation energy (8.5 to 10eV) on the peak areas of main ions

Ionisation AND fragmentation of levoglucosan (mass 162)

Mechanism of levoglucosan ionisation

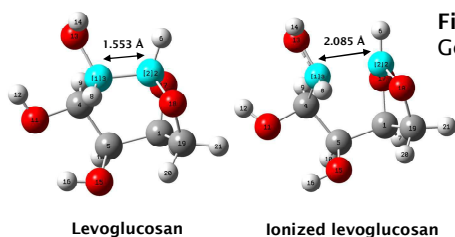


Fig. 4. Energy calculation at the CBS-QB3 level of theory Geometry and frequency calculations at the B3LYP/6-311G(d,p)

Large increase of the C(2)-C(3) bond length from levoglucosan molecule to the cation (Fig. 4)

Conclusion

This set-up coupled with ab-initio calculations offers a unique and powerful methodology to get new insights on:

1. ionisation mechanisms of biomass tars
2. molecular structure of some key ions by MS*MS analysis
3. fundamentals of pyrolysis of cellulose, and other solid materials

References

- [1] Evans R.J. et al., 1987, En. Fuels 1, 123.
- [2] Streibel T. et al., 2009, J. Th. Calo. Anal. 97, 615.
- [3] Li, J. et al., 2009, Rap.Com.MS. 23, 1269.
- [4] J.A. Montgomery et al., 1999, J. Chem. Phys., 110, 2822.