



HAL
open science

Joint Stiffness Identification of a Heavy Kuka Robot with a Low-cost Clamped End-effector Procedure

Anthony Jubien, Gabriel Abba, Maxime Gautier

► **To cite this version:**

Anthony Jubien, Gabriel Abba, Maxime Gautier. Joint Stiffness Identification of a Heavy Kuka Robot with a Low-cost Clamped End-effector Procedure. ICINCO 2014 - 11th International Conference on Informatics in Control, Automation and Robotics, Sep 2014, Vienna, Austria. pp.585-591, 10.5220/0005115805850591 . hal-01087021

HAL Id: hal-01087021

<https://hal.science/hal-01087021>

Submitted on 25 Nov 2014

HAL is a multi-disciplinary open access archive for the deposit and dissemination of scientific research documents, whether they are published or not. The documents may come from teaching and research institutions in France or abroad, or from public or private research centers.

L'archive ouverte pluridisciplinaire **HAL**, est destinée au dépôt et à la diffusion de documents scientifiques de niveau recherche, publiés ou non, émanant des établissements d'enseignement et de recherche français ou étrangers, des laboratoires publics ou privés.



Science Arts & Métiers (SAM)

is an open access repository that collects the work of Arts et Métiers ParisTech researchers and makes it freely available over the web where possible.

This is an author-deposited version published in: <http://sam.ensam.eu>
Handle ID: <http://hdl.handle.net/10985/8984>

To cite this version :

Anthony JUBIEN, Gabriel ABBA, Maxime GAUTIER - Joint Stiffness Identification of a Heavy Kuka Robot with a Low-cost Clamped End-effector Procedure - In: ICINCO 2014 - 11th International Conference on Informatics in Control, Automation and Robotics, Austria, 2014-09 - Proceedings of ICINCO 2014 - 2014

Any correspondence concerning this service should be sent to the repository

Administrator : archiveouverte@ensam.eu

Joint Stiffness Identification of a Heavy Kuka Robot with a Low-cost Clamped End-effector Procedure

A. Jubien^{1,2}, G. Abba³ and M. Gautier¹

¹IRCCyN (Institut de Recherche en Communications et Cybernétique de Nantes), Nantes, France

²ONERA (The French Aerospace Lab), Toulouse, France

³Dep. of Design, Manufacturing and Control (LCFC) and ENIM (National College of Engineering of Metz), Metz, France
{anthony.jubien, maxime.gautier}@irccyn.ec-nantes.fr, gabriel.abba@ensam.eu

Keywords: Stiffness, Industrial, Robot, Identification, Clamped End-effector.

Abstract: This paper proposes two new methods for the identification of static stiffnesses of multi degrees of freedom heavy industrial robots. They are based on a locked link joint procedure obtained with an end-effector fixed to the environment. The first method requires only measurements of motor positions and motor torques data computed from motor current measurements and manufacturer's drive gains. The second one needs a torque sensor to measure the interaction wrench between the clamped end-effector and the environment. These methods are being experimentally validated and compared on the 2 first joints of a 6 degrees of freedom heavy 500Kg payload industrial Kuka KR500 robot.

1 INTRODUCTION

New applications of heavy industrial robots for performing machining operations like Friction Stir Welding process (*FSW*) need trajectories with a high accuracy end-effector position while significant forces are applied to the end-effector.

It is then necessary to identify accurately the stiffnesses to control and simulate precise and reliable motion. Identification of rigid robots has been widely investigated in the last decades, based on the Inverse Dynamic Identification Model and Least Squares estimation (*IDIM-LS*) (Hollerbach et al., 2008). Several approaches can be used to identify the dynamic parameters and joint dynamic stiffnesses. One approach is based on *IDIM-LS* technique and needs motor and joint positions and motor torques (Pham et al., 2001); (Janot et al., 2011). However, the joint positions are not measured on industrial robots. Another approach is a closed-loop output error method which needs to simulate the robot (Gautier et al., 2013); (Östring, 2003). Unfortunately, manufacturers do not want to give the control laws of their controllers.

Another approach avoids using any internal data (joint position, motor torque, control law) but it requires an external measurement of the position of the end-effector using very expensive laser-tracker sensor with variation of the payload while the motor

positions are locked to constant values (Dumas et al., 2011); (Alici and Shirinzadeh, 2005). In (Pfeiffer and Holzl, 1995), each robot links are fixed alternately to identify the current joint stiffness with quasi-static test but this requires a different locking system for each link.

To overcome these expensive and heavy procedures, this paper proposes two new methods based on a locked link joint procedure obtained with the end-effector clamped to the environment. The first method requires only motor positions measurement and motor torques data calculated from motor current measurement and manufacturer's drive gain data. The second one needs a torque sensor to measure the external interaction wrench between the clamped end-effector and the environment, which are calculated as external link torques using the jacobian matrix of the robot. A first validation of our methodologies are carried out on the 2 first joints of a 6 Degrees of Freedom (*dof*) heavy 500Kg payload industrial Kuka KR500 robot.

This paper is divided into 5 sections. Section 2 describes the modeling of serial robots with the end-effector attached to the base. Section 3 presents the usual method for dynamic identification of robots, based on *IDIM-LS* method. Section 4 is devoted to the modeling of the Kuka KR500 heavy industrial robot and to the identification of the first two axis of the robot. The last section gives the conclusion.

2 MODELING

2.1 Inverse Dynamic Identification Model with Fixed End-effector

The Inverse Dynamic Model (*IDM*) of a flexible robot calculates the motor torques and joint torques as a function the joint and motor positions. It can be obtained from the Newton-Euler or the Lagrangian equations (Khalil and Dombre, 2002). It is given by the following relation with no constraint applied on the end-effector when the positions are quasi-constants (no frictions and inertias effects):

$$\begin{aligned}\tau_{idm_m} &= k(q_m - q) + Offm \\ \tau_{idm_l} &= G(q) + J(q)^T F_e \\ \tau_{idm_l} &= k(q_m - q)\end{aligned}\quad (1)$$

where q_m , \dot{q}_m and \ddot{q}_m are respectively the (nx1) vectors of motor positions, velocities and accelerations; q is the (nx1) joint position; τ_{idm_m} is the (nx1) vector of motor torques; τ_{idm_l} is the (nx1) vector of joint torque; k is the (nxn) diagonal matrix of stiffness parameters; $G(q)$ is the (nx1) vector of gravity torque; $Offm$ is the (nx1) vector of motor current amplifier offset parameters; n is the number of moving links. All measurement and mechanical variables are given in S.I. unit in joint side.

$J^T(q)$ is the transpose of the jacobian matrix of the robot and F_e is the interaction wrench between the end-effector and the base:

$$F_e = \begin{bmatrix} f_e \\ m_e \end{bmatrix} = \begin{bmatrix} f_x & f_y & f_z & m_x & m_y & m_z \end{bmatrix}^T \quad (2)$$

The interaction force f_e is composed of the three forces f_x , f_y and f_z ; and the interaction moment m_e is composed of the three moment m_x , m_y and m_z .

For a 6 *dof* robot with rigid links and with the end-effector fixed to the environment, the joint link position vector keep a constant value $q_0 = q_{m0}$, where q_{m0} is the motor position measured when the motor torques and the interaction wrench are close to zero. Then in the following, the jacobian matrix is calculated with q_{m0} :

$$J(q) = J(q_0) = J(q_{m0}) \quad (3)$$

The equations (1) becomes:

$$\begin{aligned}\tau_{idm_m} &= k(q_m - q_0) + Offm \\ \tau_{idm_l} &= G(q_0) + J(q_0)^T F_e \\ \tau_{idm_l} &= k(q_m - q_0)\end{aligned}\quad (4)$$

Introducing two offset parameters $offkm$ and $offkl$, the previous equation becomes:

$$\begin{aligned}\tau_{idm_m} &= k q_m + offkm \\ &\text{with } offkm = offm - k q_0 \\ \tau_{idm_l} &= J(q_0)^T F_e \\ \tau_{idm_l} &= k q_m + offkl \\ &\text{with } offkl = -k q_0 - G(q_0)\end{aligned}\quad (5)$$

The proposed model take into account only the joint stiffness. However the link stiffness are unknown. But, in practice, the stiffness identified values with our model are the addition of the actual joint stiffnesses and a part of link stiffnesses. Accordingly, the identified model is accurate with respect of the deformations of the robot.

2.2 Inverse Dynamic Identification Model for Joint Stiffness Identification with Motor Torques

Here, we especially want to identify the joint stiffness. Writing (5) for axis j , the motor torque is function of the joint stiffness of axis j :

$$\tau_{idm_m\ j} = k_j q_{mj} + offkm_j \quad (6)$$

The motor torque of joint j can be expressed linearly in relation to the set of dynamic parameters $\chi_{stm\ j}$ (Gautier and Khalil, 1990) to get the *IDIM*:

$$\tau_{idm_m\ j} = IDM_{stm\ j}(q_m) \chi_{stm\ j} \quad (7)$$

Where $IDM_{stm\ j}(q_m)$ is the (1xNs) Jacobian matrix of $\tau_{idm_m\ j}$, with respect to the (Nsx1) vector $\chi_{stm\ j}$ of the parameters.

$\chi_{stm\ j}$ is composed of parameters of axis j with fixed end-effector:

$$\begin{aligned}\tau_{idm_m\ j} &= \begin{bmatrix} q_{mj} & 1 \end{bmatrix} \chi_{stm\ j} \\ &\text{with } \chi_{stm\ j} = \begin{bmatrix} k_j & Offkm_j \end{bmatrix}^T\end{aligned}\quad (8)$$

The motor torque τ_{mj} is computed from the *a priori* joint drive gain $g_{\tau\ j}^{ap}$ given by manufacturer's data and the motor current I_j for each axis j :

$$\tau_{mj} = g_{\tau\ j}^{ap} I_j \quad (9)$$

2.3 Inverse Dynamic Identification Model for Joint Stiffness Identification with External Wrench

Writing (4) for axis j , the external torque of axis j is function of the joint stiffness of axis j :

$$\tau_{idm_l\ j} = k_j q_{mj} + offkl_j \quad (10)$$

The joint torque of joint j can be expressed linearly in relation to joint stiffness and offset parameters $\chi_{stl\ j}$:

$$\begin{aligned} \tau_{idm_l\ j} &= [q_{mj} \quad 1] \chi \\ \text{with } \chi_{stl\ j} &= [k_j \quad Offkl_j]^T \end{aligned} \quad (11)$$

The external torques τ_l can be calculated from the interaction wrench and the jacobian matrix (3) of the robot (Khalil and Dombre, 2002):

$$\tau_l = J(q_0)^T F_e \quad (12)$$

It is necessary to have good condition number for the jacobian matrix to have a good estimation of the joint torque.

3 IDIM-LS: INVERSE DYNAMIC IDENTIFICATION MODEL WITH LEAST SQUARES METHOD

Because of perturbations due to noise measurement and modeling errors, the actual torque τ differs from τ_{idm} by an error e , such that:

$$\tau = \tau_{idm} + e = IDM(q_m) \chi + e \quad (13)$$

The vector $\hat{\chi}$ is the least squares (LS) solution of an over determined system built from the sampling of (13), while the elastic deformations vary on the robot:

$$Y = W \chi + \rho \quad (14)$$

Where: Y is the $(rx1)$ measurement vector, W the (rxb) observation matrix, and ρ is the $(rx1)$ vector of errors. The number of rows is $r=nxn_e$, where the number of recorded samples is n_e .

Standard deviations $\sigma_{\hat{\chi}_i}$, are estimated assuming that W is a deterministic matrix and ρ , is a zero-mean additive independent Gaussian noise, with a

covariance matrix $C_{\rho\rho} = E(\rho\rho^T) = \sigma_\rho^2 I_r$ (Gautier, 1997); (Janot et al., 2014).

Where E is the expectation operator and I_r , the (rxr) identity matrix. An unbiased estimation of the standard deviation σ_ρ is the following:

$$\hat{\sigma}_\rho^2 = \|Y - W \hat{\chi}\|^2 / (r - b) \quad (15)$$

The covariance matrix of the estimation error is given by:

$$C_{\hat{\chi}\hat{\chi}} = E[(\chi - \hat{\chi})(\chi - \hat{\chi})^T] = \hat{\sigma}_\rho^2 (W^T W)^{-1} \quad (16)$$

The relative standard deviation $\% \sigma_{\hat{\chi}_i}$ is given by:

$$\% \sigma_{\hat{\chi}_i} = 100 \sigma_{\hat{\chi}_i} / |\hat{\chi}_i|, \text{ for } |\hat{\chi}_i| \neq 0 \quad (17)$$

Where $\sigma_{\hat{\chi}_i}^2 = C_{\hat{\chi}\hat{\chi}}(i, i)$ is the i^{th} diagonal coefficient of $C_{\hat{\chi}\hat{\chi}}$. Calculating the LS solution of (14) from perturbed data in W and Y may lead to bias if W is correlated to ρ . Then, it is essential to filter data in Y and W before computing the LS solution. Velocities and accelerations are estimated by means of a band-pass filtering of the positions. To eliminate high frequency noises and torque ripples, a parallel decimation is performed on Y and on each column of W . More details about data filtering can be found in (Gautier, 1997) and (Pham et al., 2001).

4 EXPERIMENTAL VALIDATION

4.1 Modeling of the Kuka KR500

The Kuka KR500 robot (see figure 2) has a serial structure with $n=6$ rotational joints. Its kinematics is defined using the Modified Denavit and Hartenberg (MDH) notation (Khalil and Kleinfinger, 1986). In this notation, the link j fixed frame is defined such that the z_j axis is taken along joint j axis and the x_j axis is along the common normal between z_j and z_{j+1} (see figure 1). α_j and d_j parameterize the angle and distance between z_{j-1} and z_j along x_{j-1} , respectively, whereas θ_j and r_j parameterize the angle and distance between x_{j-1} and x_j along z_j , respectively. All MDH positions are equal to the motor position q_{mj} given by the KRL controller of the Kuka KR500 except for axis 3 and 6. The geometric parameters are given in table 1 and allow to compute the (6×6) jacobian matrix (3). All variables are given in SI unit in joint link side. The robot is characterized by a kinematic

coupling effect between the joint 4,5 and 6 but his impact is negligible because the coupling coefficients are very low (Jubien and Gautier, 2013).

Table 1: MDH parameters of the KR500 robot.

j	α_j	d_j	θ_j	r_j
1	π	0	q_{m1}	$rl_1 (= -1.045 \text{ m})$
2	$\pi/2$	$d_2 (= 0.500 \text{ m})$	q_{m2}	0
3	0	$d_3 (= 1.300 \text{ m})$	$q_{m3} + \pi/2$	0
4	$-\pi/2$	$d_4 (= -0.055 \text{ m})$	q_{m4}	$rl_4 (= -1.025 \text{ m})$
5	$\pi/2$	0	q_{m5}	0
6	$-\pi/2$	0	$q_{m6} - \pi/2$	$rl_6 (= -0.290 \text{ m})$

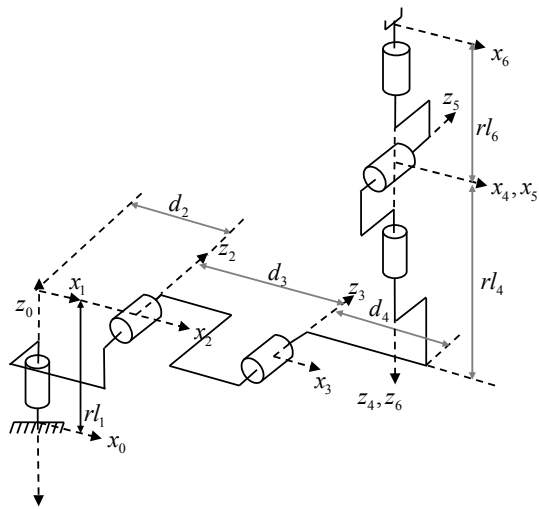


Figure 1: Link frame of the KR500 robot.

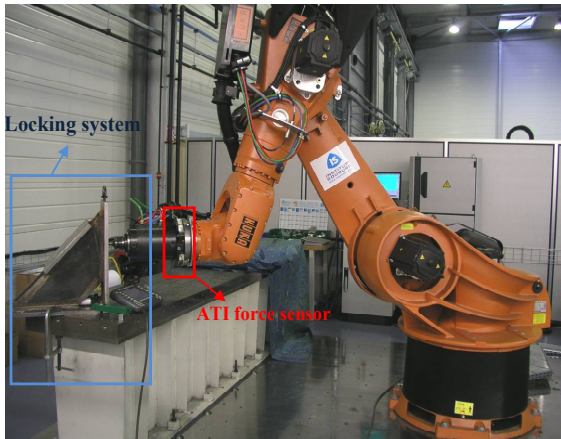


Figure 2: Picture of robot on configuration 2.

4.2 Configuration of the Robot with Fixed End-effector

The ATI force sensor used does not allow the simultaneous measurement of the three components of f_e and of three components of m_e . In our case,

only the component f_z is measured. Therefore, it is necessary to chose some configurations of robot where the other components of the wrench are fixed at zeros values.

To do this, two configurations of the robots are studied to identify the joint stiffness of axis 1 and 2. There are given in table 2.

Table 2: Configurations of the KR500 robot.

Conf. nb	q_1	q_2	q_3	q_4	q_5	q_6
1	1.62	-0.89	1.84	1.62	$-\pi/2$	0.46
2	1.48	-0.87	1.37	π	-1.05	0

The first configuration allows identifying the joint stiffness of axis 1. The second (see figure 2) configuration allows identifying the joint stiffness of axis 2. Thus, it is possible to identify joint stiffness parameters without the measurement of all components of the wrench (except for axis 6).

4.3 Acquisition, Trajectories and Filtering

The sampling acquisition frequency of force sensor is 83.3(Hz) and the sampling acquisition frequency of motor currents and motor positions is 500(Hz). All the measurements are synchronized off-line. The motor currents and motor positions are given by 'Scope' function of Kuka KRC controller.

For each configuration, the end-effector of the robot is brought into contact with the rigid environment with position control. After that, the robot is controlled with force control and different levels of force on z_6 are applied on the end-effector to have a significant number of points. The end-effector is blocked only on the same direction z_6 , accordingly the component f_z can be only negative. The motor positions, currents, external torques and measurement of f_z for the configurations 1 are given in figure 3. f_z cannot be measured all the time due to restriction on acquisition system so only the available measurements are showed for f_z and the external torques.

For the identifications, the cut-off frequency of the Butterworth filter is fixed to 10Hz and the cut-off frequency of decimate filter is fixed to 5Hz.

4.4 Identification of Joint Stiffness with Motor Currents

The identification of the joint stiffness of axis 1 and 2 are performed with motor currents and motor positions. The IDIM (8) is used and the motor

torques are computed with (9). The parameters of each axis are identified separately. The identified values of joint stiffness and offset are given in table 3 and 4.

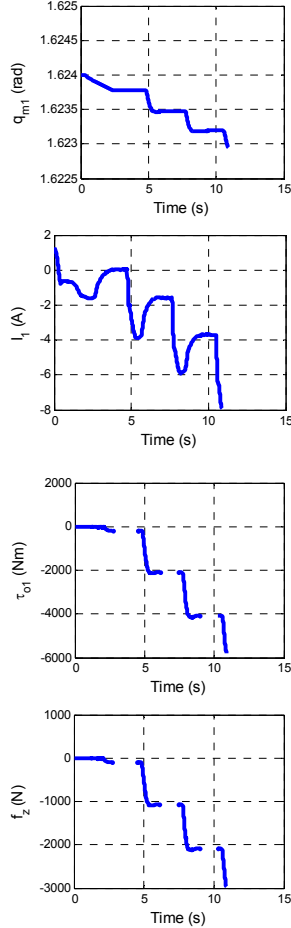


Figure 3: Motor position, motor current and joint torque for axis 1 and force (configuration 1).

Table 3: Identified stiffness value with motor torques for axis 1.

Par.	$\hat{\chi}$	$\% \sigma_{\hat{\chi}_r}$
k_1	$6.09 \cdot 10^6$	2.1
$Offkm_1$	$-9.90 \cdot 10^6$	2.1
$ W_{\chi-Y} / Y $	2.82%	

Table 4: Identified stiffness value with motor torques for axis 2.

Par.	$\hat{\chi}$	$\% \sigma_{\hat{\chi}_r}$
k_2	$8.00 \cdot 10^6$	2.0
$Offkm_2$	$6.93 \cdot 10^6$	2.1
$ W_{\chi-Y} / Y $	2.67%	

The stiffness parameters are well identified with a low relative standard deviation. The motor torque (circle) relative to motor position for axis 1 and 2 is showed in figure 4. A green line ($\hat{k}_j q_{mj} + \hat{Off}km_j$) is drawn for comparison.

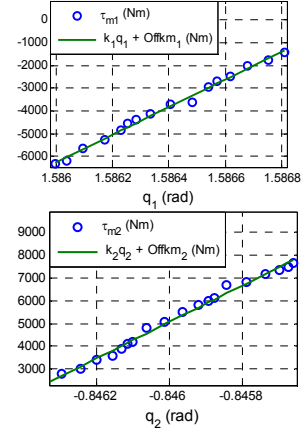


Figure 4: Variation of motor torque relative to variation of motor position for axis 1 and 2.

4.5 Identification of Joint Stiffness with Wrench

The identification of the joint stiffness of axis 1 and 2 is performed with wrench and motor positions. The *IDIM* (11) is used and the joint torques are computed with (12). The jacobian matrix is computed from motor positions and with *DHM* parameters given in table 1. The parameters of each axis are identified separately. The identified values of joint stiffness and offset are given in table 5 and 6.

Table 5: Identified stiffness value with external torques for axis 1.

Par.	$\hat{\chi}$	$\% \sigma_{\hat{\chi}_r}$
k_1	$6.93 \cdot 10^6$	0.77
$Offkl_1$	$-1.12 \cdot 10^7$	0.78
$ W_{\chi-Y} / Y $	1.44%	

Table 6: Identified stiffness value with external torques for axis 2.

Par.	$\hat{\chi}$	$\% \sigma_{\hat{\chi}_r}$
k_2	$7.81 \cdot 10^6$	0.98
$Offkl_2$	$6.76 \cdot 10^6$	0.97
$ W_{\chi-Y} / Y $	2.13%	

As above, the stiffness parameters are well identified with a low relative standard deviation

(<1%). The external torque (circle) relative to motor position for axis 1 and 2 is showed in figure 5. A green line ($\hat{k}_j q_{mj} + \hat{Off}k_l_j$) is drawn for comparison.

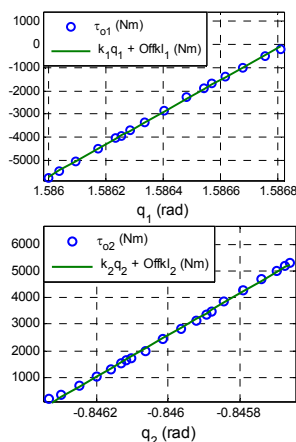


Figure 5: Variation of external torque relative to variation of motor position for axis 1 and 2.

4.6 Comparison and Discussion

The relative differences between the identified stiffness values with motor currents and wrench are given in table 7. The two methods work well to identify the joint stiffness parameters and give similar results. The differences may come from the precision of the *a priori* joint drive gain in (9), the precision of the *ATI* sensor, the precision of the *MDH* parameters and the approximation $J(q) \approx J(q_{m0})$.

Table 7: Relative errors between identified stiffness parameters with motor and external torques.

Par.	%e
k_1	12.1%
k_2	2.43%

The major advantage of our methods is that they avoid the measurement of joint positions and/or the attitude measurement of end-effector and the use of additional payload. The position measurement of end-effector requires very expensive external measurement systems. Here, it is possible to identify the joint stiffness with and without the measurement of the wrench.

The measurement of the wrench needs a force sensor. Some robots are already equipped with this sensor to perform force control otherwise it must be installed. But our approach allows avoiding the use of wrench using only motor current if using of force sensor is too difficult.

We recall that in practice, the identified stiffness values with our model are the addition of the actual joint stiffnesses and some of the link stiffnesses.

To achieve this ,it is needed to clamp the end-effector to the environment which is easy if you use a beam, the soil or a vise on a production line or in a laboratory.

Unlike the method proposed in (Dumas et al., 2011), our method avoids optimizing the robot configuration to minimize its complementary stiffness matrix since the end-effector is clamped (i.e. it does not move). If only the motor torques are used, the computation of jacobian matrix and its condition number are no longer necessary.

The experimental validation on the two first axis of an industrial robot shows the effectiveness of our method.

5 CONCLUSION

This paper shows that it is possible to accurately identify static joint stiffnesses of industrial robots with a low-cost and easy to use procedure based on clamping the end-effector to the environment. The strong result is that the identification using only internal measurements of motor positions and torques gives similar results to those obtained with force sensor measurements of the interaction wrench. The method can be carried out on industrial robots without the need of any external sensor like expensive laser tracker or force sensor. It is a first validation of our methodologies on a simple case. Future works concern the identifications of all joint stiffness of the robot and a comparison with other joint stiffness identification methods .

ACKNOWLEDGEMENTS

This work was supported by the French ANR COROUSSO ANR-2010-SEGI-003-02-COROUSSO.

REFERENCES

Alici, G., Shirinzadeh, B., 2005. Enhanced Stiffness Modeling, Identification and Characterization for Robot Manipulators. *IEEE Transactions on Robotics* 21, 554–564.
Dumas, C., Caro, S., Garnier, S., Furet, B., 2011. Joint Stiffness Identification of Six-revolute Industrial

- Serial Robots. *Jour of Robotics and Computer Integrated Manufacturing*.
- Gautier, M., 1997. Dynamic identification of robots with power model. *IEEE International Conference on Robotics and Automation*, IEEE, pp. 1922–1927.
- Gautier, M., Jubien, A., Janot, A., Robet, P.-P., 2013. Dynamic Identification of Flexible Joint Manipulators with an Efficient Closed Loop Output Error Method Based on Motor Torque Output Data. *IEEE International Conference on Robotics and Automation*.
- Gautier, M., Khalil, W., 1990. Direct calculation of minimum set of inertial parameters of serial robots. *IEEE Transactions on Robotics and Automation* 368–373.
- Hollerbach, J., Khalil, W., Gautier, M., 2008. Model Identification, in: *Springer Handbook of Robotics*. Springer.
- Janot, A., Gautier, M., Jubien, A., Vandanjon, P.O., 2011. Experimental joint stiffness identification depending on measurements availability. *IEEE Conference on Decision and Control and European Control Conference*, pp. 5112–5117. doi:10.1109/CDC.2011.6160402
- Janot, A., Vandanjon, P. O., Gautier, M., 2014. A Generic Instrumental Variable Approach for Industrial Robot Identification. *IEEE Transactions on Control Systems Technology* 22, 132–145.
- Jubien, A., Gautier, M., 2013. Global identification of spring balancer, dynamic parameters and drive gains of heavy industrial robots. *IEEE/RJS International Conference on Intelligent Robots and Systems*, pp. 1355–1360.
- Khalil, W., Dombre, E., 2002. Modeling, Identification and Control of Robots, 3rd edition. ed. Taylor and Francis Group, New York.
- Khalil, W., Kleinfinger, J., 1986. A new geometric notation for open and closed-loop robots. *IEEE International Conference on Robotics and Automation*, pp. 1174–1179.
- Östring, M., 2003. Closed-loop identification of an industrial robot containing flexibilities. *Control Engineering Practice* 291–300.
- Pfeiffer, F., Holzl, J., 1995. Parameter identification for industrial robots. *IEEE International Conference on Robotics and Automation*, IEEE, pp. 1468–1476. doi:10.1109/ROBOT.1995.525483
- Pham, M. T., Gautier, M., Poignet, P., 2001. Identification of joint stiffness with bandpass filtering. *IEEE International Conference on Robotics and Automation*, pp. 2867–2872. doi:10.1109/ROBOT.2001.933056.