



HAL
open science

A New Approach on the Design and Optimization of Brushless Doubly-Fed Reluctance Machines

Tiago Staudt, Frédéric Wurtz, Laurent Gerbaud, Nelson Jhoe Batistela,
Patrick Kuo-Peng

► **To cite this version:**

Tiago Staudt, Frédéric Wurtz, Laurent Gerbaud, Nelson Jhoe Batistela, Patrick Kuo-Peng. A New Approach on the Design and Optimization of Brushless Doubly-Fed Reluctance Machines. SGE 2014 - Symposium de Génie Electrique 2014, Jul 2014, Cachan, France. 5 p. hal-01024665

HAL Id: hal-01024665

<https://hal.science/hal-01024665>

Submitted on 17 Jul 2014

HAL is a multi-disciplinary open access archive for the deposit and dissemination of scientific research documents, whether they are published or not. The documents may come from teaching and research institutions in France or abroad, or from public or private research centers.

L'archive ouverte pluridisciplinaire **HAL**, est destinée au dépôt et à la diffusion de documents scientifiques de niveau recherche, publiés ou non, émanant des établissements d'enseignement et de recherche français ou étrangers, des laboratoires publics ou privés.

A New Approach on the Design and Optimization of Brushless Doubly-Fed Reluctance Machines

Tiago STAUDT^{1,2}, Frédéric WURTZ¹, Laurent GERBAUD¹, Nelson Jhoe BATISTELA², Patrick KUO-PENG²

¹Grenoble Electrical Engineering Laboratory (G2ELab) UMR 5269 CNRS-INPG-UJF, St Martin d'Hères, France

²Federal University of Santa Catarina, UFSC, GRUCAD, Florianópolis, Brazil

ABSTRACT – The Brushless Doubly-Fed Reluctance Machine (BDFRM) is being considered as a viable generator alternative to be used in wind turbines. A literature review shows that there is still a lack of researches to define a design procedure to make this machine widely used in such application. This paper aims to address this issue by considering a new BDFRM design method using a reluctance network approach and the concepts of sizing and optimization models. It also presents a case study using the proposed methodology where the torque has increased significantly whereas the iron mass has been kept to a minimum.

KEYWORDS – Design methodology, Brushless machines, Finite element methods, Electromagnetic analysis, Wind energy.

1. INTRODUCTION

The Brushless Doubly Fed Reluctance Machine (BDFRM) is being particularly considered as a viable alternative to the Doubly Fed Induction Machine (DFIG) in variable speed wind energy conversion systems (WECS). It keeps the cost advantages of the DFIG by allowing the use of a converter power rating of around 30% of the generator capacity. Additionally, the BDFRM has the advantage of maintenance-free brushless operation [1]. As evidenced in literature, although a promising solution, there is still a demand for new researches on the electromagnetic design so that this machine could be used in industrial scale. Most papers analyze existent machine designs rather than focusing on the development of new ones [2]. Similar conclusions are inferred in [3], where it is pointed out a series of fundamental issues and challenges with respects to the BDFRM design and control such as requirements to maximize the torque and power density. It is also stressed the need for a systematic design procedures to obtain optimal designs considering different sizes, power ratings and applications to meet a specific market demand. In this sense, it is proposed a new structured method on the modeling, design and optimization of the BDFRM. The main goal is to provide means to the designer to take pertinent decisions in all development phases based on fast to obtain and sufficiently accurate information, which will lead to an application specific optimal design.

2. GENERAL BACKGROUND

It is out of scope of this paper to explain in details the operating principles of the BDFRM. A brief discussion on them, considering aspects relevant to this paper, is presented in this section based on [4, 5, 6]. The reader is referred to these references for further information on the BDFRM theory.

The BDFRM has two, three-phase, windings with different number of poles. In this paper, the windings are named “grid”

(W_g) and “control” (W_c). Fig. 1 and Fig. 2 show the winding's configuration for a salient pole reluctance rotor. The basic condition to electromechanical conversion on this machine is that the reluctance rotor must satisfy the following condition :

$$P_r = \frac{|P_g \pm P_c|}{2} \quad (1)$$

Only the positive case will be considered on the rest of the analysis. Windings such as the ones in Fig. 1 and Fig. 2 leads to a reluctance rotor of 4 poles for the BDFRM. If (1) holds, there are torque production and the machine synchronous speed in steady state is then given by :

$$\omega_{rm} = \frac{\omega_g + \omega_c}{P_r} \quad (2)$$

where P means number of poles, ω is the angular speed in radians per second [rad/s] and the indexes g and c refers to the grid and control windings and r is related to the rotor.

It is important to notice that P_g and P_c are different and, if a smooth rotor is considered, there is no direct coupling between the windings to induce useful electromotive force (EMF) in the other winding. The main role of the rotor is modulate the MMF's from W_g and W_c in order to induce voltage with correct frequency in each winding. In other words, if conditions (1) and (2) hold, the rotor allows that a current circulating in W_g (I_g) with frequency ω_g induces a voltage in W_c with frequency ω_c which is the basis for electromechanical conversion [3]. The dual situation is also valid.

In the BDFRM, torque is given by (3).

$$T_{em} = -\frac{3}{2} \left(\frac{P_g + P_c}{2} \right) L_{gcm} I_g I_c \sin(\phi_{Torque}) \quad (3)$$

where L_{gcm} is the maximum value of the mutual inductance between windings, I_g and I_c are the current's amplitudes on each winding and ϕ_{Torque} is the torque angle.

3. PROPOSED DESIGN METHODOLOGY

In general, the idea behind modeling a device has two main goals that are not necessarily satisfied simultaneously : (i) formulate the specification, i.e. to define system parameters (inputs, outputs) and constraints and (ii) solve the problem by calculating parameters with enough precision, e.g. using the Finite Element Analysis (FEA). The objective (i) aims to help the spe-

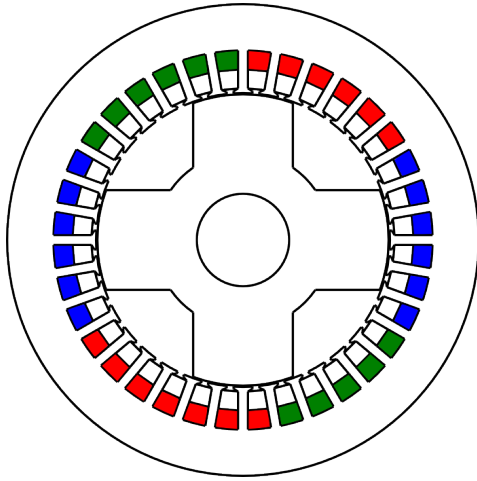


Fig. 1. Winding's example with 2 poles.

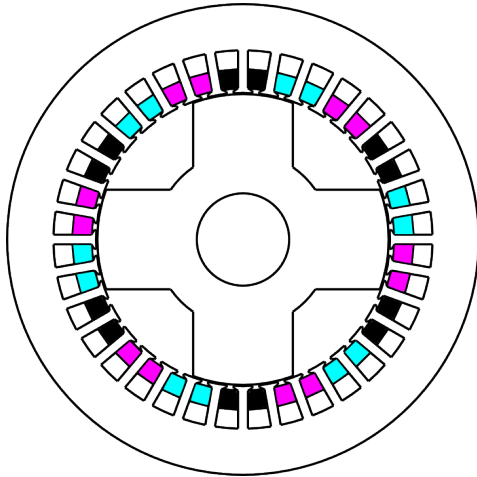


Fig. 2. Winding's example with 6 poles.

cialist to understand and define the problem. Several parameters are unknown and many combinations among them may, *a priori*, match the preliminary specification. At this stage, FEA may be useful to help in the comprehension of the device electromagnetic behavior. However, to refine the model and find an optimal solution, the use of this technique may cause delays in the development process due to large computational times and large search space. During this phase, it is usually more important to provide faster answers with a macroscopic model rather than obtaining high precision results. Finally, the goal (*ii*) searches to verify if the defined parameters will satisfy the specifications and accurate results are essentials for it.

A complex model, such as one of an electrical machine, may involve several different parameters and phenomena like iron saturation and losses, thermal constraints, harmonics, definition of slots and turns number and many others. Consequently, to assemble all constraints in a single thorough model is usually impracticable considering that many of the parameters are unknown or undefined when the design process starts. To address this issue it is proposed in the present work a methodology which uses the concepts of sizing (SM), optimization (OM) and validation (VM) models [7]. Fig. 3 illustrates the idea with two different models approaches.

The SM aims to estimate device parameters from few speci-

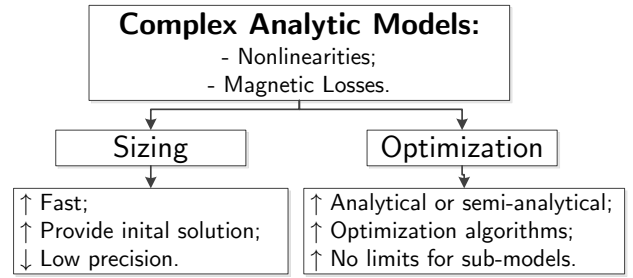


Fig. 3. Sizing and Optimization models characteristics.

cations known by the designer, typically three or four. It is clear that the SM relies on designer expertise because several parameters shall be calculated from few specifications. Some of them are estimated by knowledge and experience and the outputs calculated as a function of these assumptions. This might result in imprecisions, but the main goal of a SM is to provide a good overview of the problem. It allows to test parameters variations very quickly, which helps to restrict the search space for the optimization problem. Ultimately, this approach shall provide at least one realizable machine, that will be the starting point to the optimization model.

The OM, on the other hand, is a direct model where the specification contents (which often includes performance parameters such as voltages, power *etc.*) are not necessarily considered as inputs. Its goal is to solve an objective function with constrained input and output parameters. The limited search space may be obtained from the SM results or defined by the designer expertise. Moreover, it allows the integration of, *a priori*, an unlimited number of sub-models to describe other phenomena like losses, thermal and application-specific constraints. The great difficulty behind the OM is that some specification requirements are usually outputs. Thus, to solve this model, the OM shall be coupled to an optimization algorithm.

The VM takes place after the SM and OM definitions. It is related to the objective (*ii*) and it is used to verify if the former models provided coherent and accurate results. The VM model is most often a fine and accurate model, e.g. a FEA model. After that, the next step in the development process would be to build a prototype.

4. BUILDING THE MODELS

The OM and the SM are complementary, but this does not mean necessarily that one requires the other to implement the methodology. This depends on the application and also on the designer expertise. In general, the SM is very useful to understand the basic principles, requirements and to find the constraints. To obtain an optimized solution, it is the OM which plays a dominant role.

Usually, the BDFRM sizing model relies on the classical electrical machine theory. In [2], for example, it is shown an interesting procedure considering analytical approaches to design a BDFRM with an ideal ducted rotor. They provide a set of design equations and an analysis of the rotor and stator windings poles combination. It is an approach that could be used on the SM definition. This paper focuses in the OM development rather than describes the SM in details. As the SM is not presented, the initial machine main dimensions, the starting point in the optimization, will be based on one machine referenced in the literature

[8].

4.1. Optimization Model

In order to build the OM, some methods may be used to represent the machine such as Finite Element Method (FEM), Boundary Element Method (BEM) or Reluctance Networks (RN). There are applications in which one is more suitable than the other. In general, the FEM is not very well adapted for optimization problems in early development stages since the search space and the computation time may be large. This may limit the number of parameters and constraints to be used [9].

In this work it is proposed the utilization of the Reluctance Network approach to build the OM. The RN technique is very interesting because it allows a good compromise between precision and computational time. Furthermore, it may help in the comprehension of the machine electromagnetic behavior and it also allows the integration of ferromagnetic non-linearities with analytical models.

One utilization example of this technique in the literature is shown in [10], where it is found a good agreement between FEA and the RN model with a calculation time among 7 and 9 times faster than FEA for the synchronous reluctance machine. Similar strategy has already been used on the design of electromagnetic devices [11, 12] and it is now applied to the BDFRM.

One criticism for the use of the RN method is that it could be very onerous to implement. It implies in building the network topology and also in the solution of a set of equations numerically. There are in literature solutions which allow to overcome this difficulty. This paper, for example, utilizes the software package Cades/RelucTool [9, 13, 14] to develop the OM. One advantage of these tools is that they are able to consider nonlinear behaviors due to saturated materials [9]. Additionally, they also calculate the partial derivatives between the outputs and inputs, finding parameter sensitivities.

The input and output parameters can then be constrained in a range and an objective function can be optimized by gradient-based algorithms [13] (e.g. Sequential Quadratic Programming (SQP) optimization algorithm), which is significantly faster than using FEM for optimization purposes.

The optimization model developed in this work is shown in the diagram represented in Fig. 4. The input parameters are defined considering the initial machine. The RN (Fig. 5) is built as a function of the machine dimensions to calculate the reluctances in each part where the flux lines are significant.

The RN is used to calculate the fluxes and flux densities around the machine considering ferromagnetic non-linearities. These quantities are used to calculate performance parameters such as torque, voltages and self and mutual inductances. Several others equations may be included to describe different aspects in the machine such as power, total mass, current densities and so on.

When compiling the model, the Cades system generates the Jacobian matrix with the partial derivatives of all outputs $Y_1(x_1, \dots, x_n), \dots, Y_m(x_1, \dots, x_n)$ with respect to the inputs in the form :

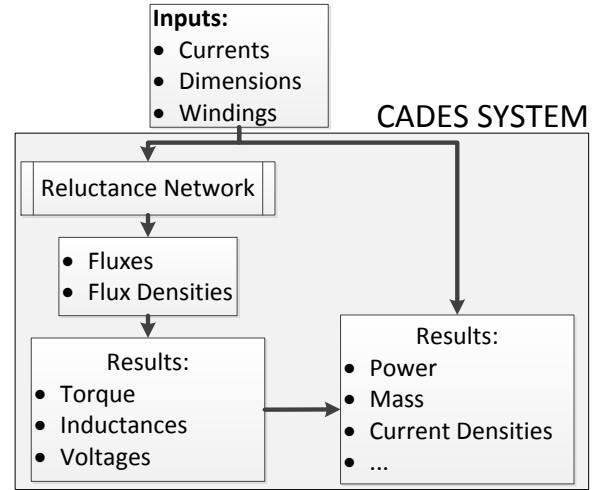


Fig. 4. Optimization model implemented in CADES.

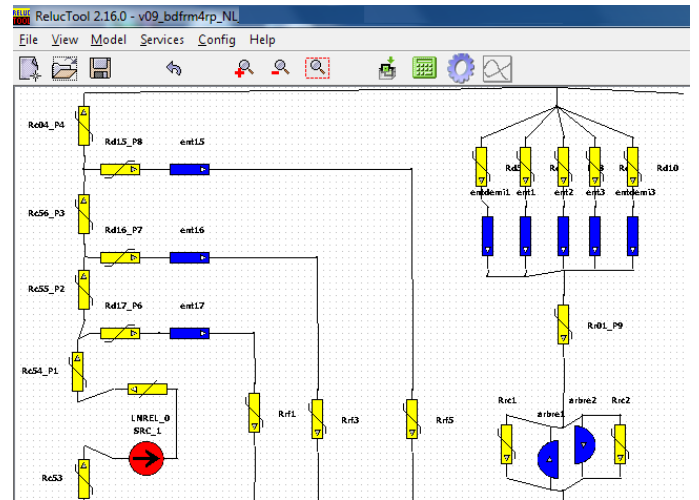


Fig. 5. One quarter of the implemented BDFRM Reluctance Network model.

$$J = \begin{bmatrix} \frac{\partial Y_1}{\partial x_1} & \dots & \frac{\partial Y_1}{\partial x_n} \\ \vdots & \ddots & \vdots \\ \frac{\partial Y_m}{\partial x_1} & \dots & \frac{\partial Y_m}{\partial x_n} \end{bmatrix} \quad (4)$$

The equation system is then coupled to the SQP optimization algorithm for system solution.

5. CASE STUDY

5.1. Machine Modeling

Since the main goal of the case study is to illustrate method capabilities rather than propose a ready to fabricate machine, the salient pole rotor has been chosen due to its simpler analytical modeling. Similar approach with minor modifications could be used for different rotor types. It has been chosen a combination of $P_r = 4$ rotor poles and $P_g = 2$ and $P_c = 6$ poles in the grid and control windings, respectively, as shown in Fig. 1 and Fig. 2. Additionally, Fig. 5 shows a quarter of the RN implemented as part of the OM. To develop this network, a first FEA has been performed in the machine considering a DC excitation only

in phase A of the grid winding (i_{gA}). This procedure allows to define the most significant flux paths where the reluctances should be located in the network and also to calculate λ_{gAA} , the phase A flux linkage, to verify the initial RN model accuracy.

The machine torque is calculated using equation (3). Based on the salient pole analytical model [6] and in order to simplify the RN construction, some idealized assumptions have been considered to find a simplified torque expression. This parameter can be shown to be proportional to :

$$T_e \propto \frac{n_c \lambda_{gAA}}{n_g i_{gA}} \quad (5)$$

where n_c and n_g are the total number of turns per phase per pole pair divide by 2 in W_c and W_g respectively.

5.2. Numerical Analysis

To verify the methodology, two optimization analysis have been performed using CADES at the operating point $I_g = I_c = 7.5 A$: “*Max T*” aims to maximize the torque and “*Min M*” to minimize the mass whereas keeping the mean torque maximum found in “*Max T*”. In both calculations the input physical parameters have been constrained in specific ranges, but left free to vary within the range. The minimum air gap length constraint has been set to the value considered in the initial machine. The external diameter and the stack length have been kept constant to match a specific machine frame. The thermal constraints are indirectly taken into account by limiting the current density in the windings at $5 A/mm^2$.

At this point, the validation model (VM) based on FEA takes place in order to verify the optimization output parameters. It is important to notice that the FEA in this strategy is also very important, because the optimization results are verified using it. The advantage of the aforementioned procedure is to reduce the number of FEA calculations (so saving time) to obtain an optimized design. The resulting machines are verified using multi-static non linear FEA for different levels of current I_c . The current $I_g = 5 A$ and angular mechanical speed $\omega_{rm} = 750 rpm$ are kept constants. The VM results are summarized in Table 1.

Tableau 1. Torque and mass comparison between designs.

Torque [Nm]	$T_{Initial}$	T_{MaxT}	T_{MinM}
$T_{I_c=05A}$	4.0	8.4	8.2
$T_{I_c=10A}$	7.7	13.6	13.3
$T_{I_c=20A}$	13.3	16.1	15.8
$T_{I_c=30A}$	16.0	16.4	16.2
Mass [kg]	51.7	42.0	41.6

The estimated iron mass calculated analytically has decreased approximately 20 % compared to the initial design. The mean torque curves of the optimized machines “*Max T*” and “*Min M*” are shown in Fig. 6. It can be seen that the torque has significantly increased in all operating range. The different designs can be seen in Fig. 7.

6. CONCLUSIONS

This paper addresses a new BDFRM design method focusing on its electromagnetic structure optimization using a Reluctance Network approach and the concepts of sizing and optimization models. As stated by many authors, there is still much work to be done in order to establish the BDFRM as a widely used ma-

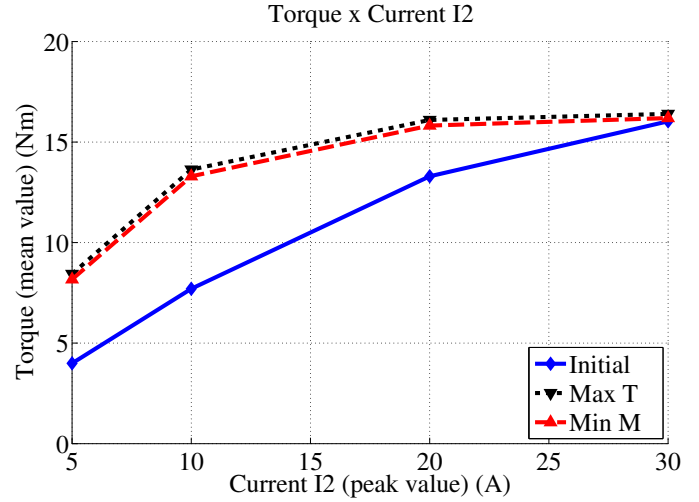


Fig. 6. Mean torque comparison between different designs as a function of current I_c . Current I_g is fixed in $5 A$ and the angular mechanical speed in $750 rpm$.

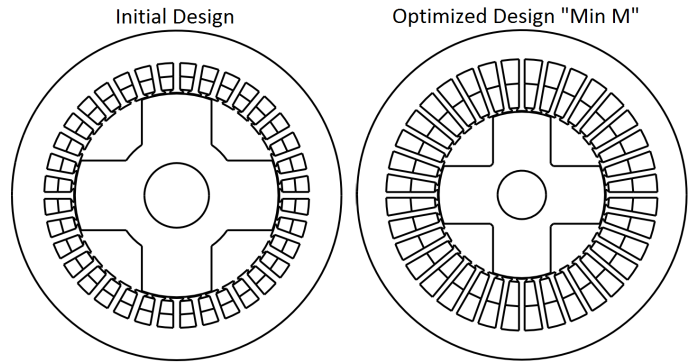


Fig. 7. Machine initial and optimized (“*Min M*”) designs.

chine. The described methodology aims to help reaching this objective. Although the fact that the OM has given indeed good results for the optimized design, it is worth to mention that the RN used in the case study as example is oversimplified. This may eventually result in low accuracies in the determination of some performance parameters when compared to FEA depending on the operating point. Further work shall be made to increase its robustness. Nevertheless, it does satisfies its objective by showing an “appropriated direction” in order to build an optimized design. The provided example which maximizes the torque whereas keeping the mass to a minimum illustrates the interesting possibilities on using this procedure.

7. REFERENCES

- [1] D. G. Dorrell, A. M. Knight, and R. E. Betz, “Improvements in Brushless Doubly Fed Reluctance Generators Using High-Flux-Density Steels and Selection of the Correct Pole Numbers,” *IEEE Transactions on Magnetics*, vol. 47, pp. 4092–4095, Oct. 2011.
- [2] A. M. Knight, R. E. Betz, and D. G. Dorrell, “Design and Analysis of Brushless Doubly Fed Reluctance Machines,” *IEEE Transactions on Industry Applications*, vol. 49, pp. 50–58, Jan. 2013.
- [3] L. Xu, B. Guan, H. Liu, L. Gao, and K. Tsai, “Design and control of a high-efficiency Doubly-Fed Brushless machine for wind power generator application,” in *2010 IEEE Energy Conversion Congress and Exposition*, pp. 2409–2416, IEEE, Sept. 2010.
- [4] F. Liang, L. Xu, and T. Lipo, “D-q analysis of a variable speed doubly AC

- excited reluctance motor," *Electric Machines and Power Systems*, vol. 19, pp. 125–138, 1991.
- [5] L. Xu, F. Liang, and T. Lipo, "Transient model of a doubly excited reluctance motor," *IEEE Transactions on Energy Conversion*, vol. 6, pp. 126–133, Mar. 1991.
- [6] R. E. Betz and M. G. Jovanovic, "Introduction to the Space Vector Modeling of the Brushless Doubly Fed Reluctance Machine," *Electric Power Components and Systems*, vol. 31, pp. 729–755, Aug. 2003.
- [7] R. Carlson and F. Wurtz, "The concepts of sizing and optimization model : Applied to the optimal design of a Permanent Magnet Generator," in *International Aegean Conference on Electrical Machines and Power Electronics and Electromotion, Joint Conference*, (Istanbul, Turkey), pp. 651–656, IEEE, Sept. 2011.
- [8] I. Scian, D. Dorrell, and P. Holik, "Assessment of Losses in a Brushless Doubly-Fed Reluctance Machine," *IEEE Transactions on Magnetics*, vol. 42, pp. 3425–3427, Oct. 2006.
- [9] A. Delale, L. Albert, L. Gerbaud, and F. Wurtz, "Automatic Generation of Sizing Models for the Optimization of Electromagnetic Devices Using Reluctance Networks," *IEEE Transactions on Magnetics*, vol. 40, pp. 830–833, Mar. 2004.
- [10] T. Raminosoa, I. Rasoanarivo, F. Meibody-Tabar, and F.-M. Sargos, "Time-Stepping Simulation of Synchronous Reluctance Motors Using a Nonlinear Reluctance Network Method," *IEEE Transactions on Magnetics*, vol. 44, pp. 4618–4625, Dec. 2008.
- [11] H. Dogan, L. Garbuio, H. Nguyen-Xuan, B. Delinchant, A. Foggia, and F. Wurtz, "Multistatic Reluctance Network Modeling for the Design of Permanent-Magnet Synchronous Machines," *IEEE Transactions on Magnetics*, vol. 49, pp. 2347–2350, May 2013.
- [12] A. Ibala and A. Masmoudi, "Accounting for the Armature Magnetic Reaction and Saturation Effects in the Reluctance Model of a New Concept of Claw-Pole Alternator," *IEEE Transactions on Magnetics*, vol. 46, pp. 3955–3961, Nov. 2010.
- [13] B. du Peloux, L. Gerbaud, F. Wurtz, V. Leconte, and F. Dorschner, "Automatic generation of sizing static models based on reluctance networks for the optimization of electromagnetic devices," *IEEE Transactions on Magnetics*, vol. 42, pp. 715–718, Apr. 2006.
- [14] VestaSystems, "Cades Solutions. <http://vesta-system.cades-solutions.com/>," 2014.