



**HAL**  
open science

# Sensorless Control of Doubly-Fed Induction Generator-Based Wind turbines using a High-Order Sliding Mode Observer

Mohamed Benbouzid, Brice Beltran, Yassine Amirat, Sylvie Breton

► **To cite this version:**

Mohamed Benbouzid, Brice Beltran, Yassine Amirat, Sylvie Breton. Sensorless Control of Doubly-Fed Induction Generator-Based Wind turbines using a High-Order Sliding Mode Observer. *International Review of Electrical Engineering*, 2014, 9 (1), pp.49-55. hal-01020106

**HAL Id: hal-01020106**

**<https://hal.science/hal-01020106>**

Submitted on 13 Jul 2014

**HAL** is a multi-disciplinary open access archive for the deposit and dissemination of scientific research documents, whether they are published or not. The documents may come from teaching and research institutions in France or abroad, or from public or private research centers.

L'archive ouverte pluridisciplinaire **HAL**, est destinée au dépôt et à la diffusion de documents scientifiques de niveau recherche, publiés ou non, émanant des établissements d'enseignement et de recherche français ou étrangers, des laboratoires publics ou privés.

# Sensorless Control of Doubly-Fed Induction Generator-Based Wind turbines using a High-Order Sliding Mode Observer

Mohamed Benbouzid<sup>1</sup>, Brice Beltran<sup>1</sup>, Yassine Amirat<sup>2</sup> and Sylvie Breton<sup>1</sup>

**Abstract** – This paper deals with the sensorless control of a doubly-fed induction generator based wind turbine. The sensorless control scheme is based on a high-order sliding mode observer to estimate the generator rotational speed. Indeed, high-order sliding mode observers provide theoretically finite time exact state observation and estimation of absolutely continuous unknown inputs. The proposed global control strategy combines an MPPT using a high-order sliding mode speed observer and a high-order sliding mode for the generator control. This strategy presents attractive features such as chattering-free behavior, finite reaching time, robustness and unmodeled dynamics (generator and turbine). Simulations using the wind turbine simulator FAST on a 1.5-MW three-blade wind turbine are carried out for the validation of the proposed sensorless control strategy.

**Keywords:** Wind turbine, doubly-fed induction generator, sensorless control, observer, high-order sliding mode.

## Nomenclature

WT	=	Wind Turbine;
DFIG	=	Doubly-Fed Induction Generator;
HOSM	=	High-Order Sliding Mode;
$v$	=	Wind speed;
$\rho$	=	Air density;
$R$	=	Rotor radius (m);
$P_a$	=	Aerodynamic power;
$T_a$	=	Aerodynamic torque;
$\lambda$	=	Tip speed ratio;
$C_p$	=	Power coefficient;
$\omega_{mr}$	=	Wind turbine speed;
$T_g$	=	Generator electromagnetic torque;
$J_t$	=	Turbine total inertia;
$K_t$	=	Turbine total external damping;
$s(r)$	=	Stator (rotor) index;
$d(q)$	=	Synchronous reference frame index;
$V(I)$	=	Voltage (current);
$\phi$	=	Flux;
$T_{em}$	=	Electromagnetic torque;
$R$	=	Resistance;
$L(M)$	=	Inductance (mutual inductance);
$\sigma$	=	Leakage coefficient, $\sigma = 1 - M^2/L_s L_r$ ;
$\omega_r (\omega_s)$	=	Angular speed (synchronous speed);
$s$	=	Slip;
$p$	=	Pole pair number.

## I. Introduction

DFIGs are widely used for variable speed generation and are among the most important generators for wind energy applications (Fig. 1) [1-2]. Indeed, this topology has about 50% fraction of the wind energy market. In this context, their sensorless control has received increasing

interest as shaft sensors have drawbacks in terms of maintenance, cost, robustness, and cabling between the sensor and the controller [3-6]. A brief review of the main available sensorless control strategies shows that the proposed speed estimation schemes are quiet sensitive to the generator parameters [4].

In this context, this paper proposes the use of a high-order sliding mode observer for the speed estimation [7-11]. Indeed, compared to other observer, sliding mode has attractive advantages of robustness to disturbances and low sensitivity to the generator parameter variations. Moreover, HOSM will eliminate the chattering phenomenon by using continuous signals instead of switching signals [12-14].

Specifically, the proposed global control strategy combines an MPPT using a HOSM observer and a HOSM for the DFIG control. This strategy presents attractive features such as chattering-free behavior, finite reaching time, robustness and unmodeled dynamics (generator and turbine).

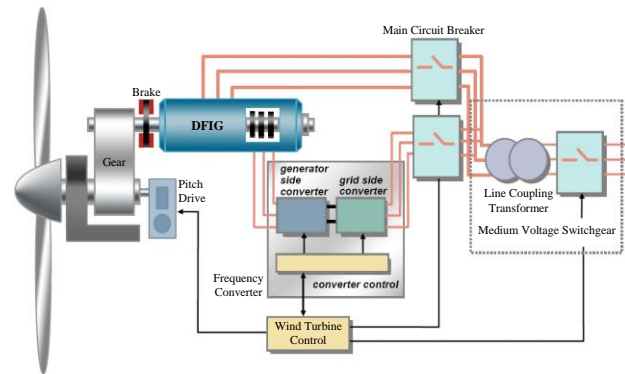


Fig. 1. Schematic diagram of a DFIG-based wind turbine.

## II. DFIG-Based WT Modeling

The global scheme for a grid-connected wind turbine is given in Fig. 2. The wind turbine modeling is inspired from [13].

### II.1. Turbine Model

The aerodynamic power captured by the wind turbine is given by

$$P_a = \frac{1}{2} \pi \rho R^2 C_p(\lambda) v^3 \quad (1)$$

$$\text{where } \lambda = \frac{R\omega_{mr}}{v} \quad (2)$$

The rotor power (aerodynamic power) is also defined by

$$P_a = \omega_{mr} T_a \quad (3)$$

The following simplified model is adopted for the turbine (drive train) for control purposes.

$$J_t \dot{\omega}_{mr} = T_a - K_t \omega_{mr} - T_g \quad (4)$$

### II.2. DFIG Model

For the proposed control strategy, the generator dynamic model written in a synchronously rotating frame  $d$ - $q$  is given by (5).

$$\begin{cases} V_{sd} = R_s I_{sd} + \frac{d\phi_{sd}}{dt} - \omega_s \phi_{sq} \\ V_{sq} = R_s I_{sq} + \frac{d\phi_{sq}}{dt} + \omega_s \phi_{sd} \\ V_{rd} = R_r I_{rd} + \frac{d\phi_{rd}}{dt} - \omega_r \phi_{rq} \\ V_{rq} = R_r I_{rq} + \frac{d\phi_{rq}}{dt} + \omega_r \phi_{rd} \\ \phi_{sd} = L_s I_{sd} + M I_{rd} \\ \phi_{sq} = L_s I_{sq} + M I_{rq} \\ \phi_{rd} = L_r I_{rd} + M I_{sd} \\ \phi_{rq} = L_r I_{rq} + M I_{sq} \\ T_{em} = pM (I_{rd} I_{sq} - I_{rq} I_{sd}) \end{cases} \quad (5)$$

## III. HOSM Speed Observer

Figure 3 illustrates the main reference frames on which is based the proposed speed observer development.

In this case,  $\theta_s$  can be easily determined using stator voltage measurements and a PLL.

If the stator flux is assumed to be aligned with the  $d$ -axis,

$$\begin{cases} \phi_{sd} = \phi_s \\ \phi_{sq} = 0 \end{cases} \quad (6)$$

then, the  $d$ - $q$  rotor current can be estimated as

$$\begin{cases} \hat{I}_{rd} = \frac{\phi_s}{M} - \frac{L_s}{M} I_{sd} \\ \hat{I}_{rq} = -\frac{L_s}{M} I_{sq} \end{cases} \quad (7)$$

Let us now define  $\theta_r$  such as

$$\hat{I}_{rq} = \sqrt{\frac{2}{3}} \begin{pmatrix} -I_{ra} \sin \theta_r + \frac{1}{2} I_{rb} \sin \theta_r \\ + \frac{\sqrt{3}}{2} I_{rb} \cos \theta_r + \frac{1}{2} I_{rc} \sin \theta_r \\ - \frac{\sqrt{3}}{2} I_{rc} \cos \theta_r \end{pmatrix} \quad (7)$$

Using  $x = \tan\left(\frac{\theta_r}{2}\right)$ ,  $I_{rq}$  can be rewritten as

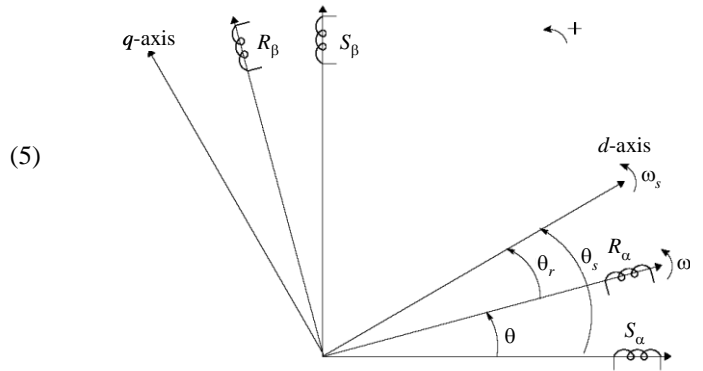


Fig. 3. Stator  $S_\alpha$ - $S_\beta$ , rotor  $R_\alpha$ - $R_\beta$ , and  $d$ - $q$  reference frames.

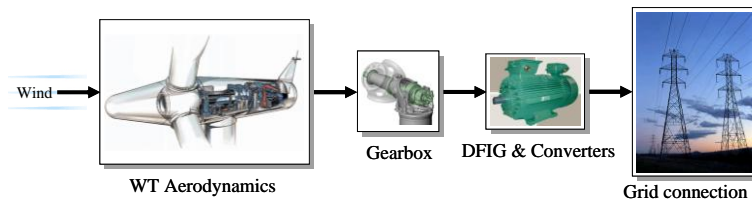


Fig. 2. Wind turbine global scheme.

$$\hat{I}_{rq} = \sqrt{\frac{2}{3}} \begin{pmatrix} -I_{ra} \frac{2x}{1+x^2} + \frac{1}{2} I_{rb} \frac{2x}{1+x^2} \\ + \frac{\sqrt{3}}{2} I_{rb} \frac{1-x^2}{1+x^2} + \frac{1}{2} I_{rc} \frac{2x}{1+x^2} \\ - \frac{\sqrt{3}}{2} I_{rc} \frac{1-x^2}{1+x^2} \end{pmatrix} \quad (8)$$

After some algebraic manipulations, it comes that

$$\hat{I}_{rq} = \frac{1}{1+x^2} \sqrt{\frac{2}{3}} \begin{pmatrix} x^2 \left( \frac{\sqrt{3}}{2} I_{rc} - \frac{\sqrt{3}}{2} I_{rb} \right) \\ + x(-2I_{ra} + I_{rb} + I_{rc}) \\ + \left( -\frac{\sqrt{3}}{2} I_{rc} + \frac{\sqrt{3}}{2} I_{rb} \right) \end{pmatrix} \quad (9)$$

This equation can further be rewritten in a compact form

$$\hat{I}_{rq} = \frac{x^2 a + x b + c}{1+x^2} \quad (10)$$

$$at^2 + bt + c = 0 \quad \text{with} \quad \begin{cases} a = \sqrt{\frac{3}{2}} \hat{I}_{rq} + \frac{\sqrt{3}}{2} (I_{rb} - I_{rc}) \\ b = 2I_{ra} - I_{rc} - I_{rb} \\ c = \sqrt{\frac{3}{2}} \hat{I}_{rq} - \frac{\sqrt{3}}{2} (I_{rb} - I_{rc}) \end{cases}$$

The solutions of this equation are the following.

$$\begin{cases} x_1 = \frac{-b + \sqrt{b^2 - 4ac}}{2a} \\ x_2 = \frac{-b - \sqrt{b^2 - 4ac}}{2a} \end{cases} \quad (11)$$

Now we will estimate the derivative of the following value  $z = 2\arctang x_1$  using a second-order sliding mode. The same result is obtained with  $\arctang x_2$ .

The main problem with high-order sliding mode algorithm implementations is the increased required information. Indeed, the implementation of an  $n^{\text{th}}$ -order controller requires the knowledge of  $\dot{S}$ ,  $\ddot{S}$ ,  $\dddot{S}$ , ...,  $S^{(n-1)}$ . The exception is the *supertwisting* algorithm, which only needs information about the sliding surface  $S$ . Therefore, the proposed speed observer is designed using this algorithm [15].

Let us therefore consider the following observer

$$\begin{cases} \dot{y} = -B_2 \operatorname{sgn}(e) \\ \dot{W} = y - B_1 |e|^{\frac{1}{2}} \operatorname{sgn}(e) \end{cases} \quad (12)$$

where the constants  $B_1$  and  $B_2$  are defined as

$$\begin{cases} B_2 > \phi \\ B_1^2 > \frac{4(B_2 + \phi)^2}{2(B_2 - \phi)} \end{cases} \quad (13)$$

Lets us consider the following tracking error.

$$\begin{cases} e = W - z \\ \dot{e} = y - B_1 |e|^{\frac{1}{2}} \operatorname{sgn}(e) - \dot{z} \\ \ddot{e} = -B_2 \operatorname{sgn}(e) - B_1 \frac{\dot{e}}{2|e|^{\frac{1}{2}}} - \ddot{z} \end{cases} \quad (14)$$

Assume now, for simplicity, that the initial values are  $e = 0$  and  $\dot{e} = \dot{e}_0 > 0$  at  $t = 0$ . Let  $e_M$  be the intersection of the curve  $\ddot{e} = -(B_2 - \phi)$  with  $\dot{e} = 0$ ,  $|\dot{z}| < \phi$ . We have then

$$2e_M (B_2 - \phi) = \dot{e}_0^2 \quad (15)$$

$$e > 0, \dot{e} < -(B_2 + \phi) \frac{2e_M^{1/2}}{B_1} \Rightarrow \ddot{e} > 0$$

Thus, the majorant curve with  $e > 0$  may be taken as

$$\begin{cases} \dot{e}_0^2 = 2(B_2 - \phi)(e_M - e) \quad \text{with } \dot{e} > 0 \\ e = e_M \quad \text{with } 0 \geq \dot{e} > -(B_2 + \phi) \frac{2e_M^{1/2}}{B_1} \\ \dot{e} = \dot{e}_M = -(B_2 + \phi) \frac{2e_M^{1/2}}{B_1} \quad \text{with } \dot{e} < -(B_2 + \phi) \frac{2e_M^{1/2}}{B_1} \end{cases} \quad (16)$$

Let the trajectory next intersection with  $e = 0$  axis be  $e_1$ . Then, obviously

$$|\dot{e}_1 / \dot{e}_0| \leq q \quad \text{with } q = |\dot{e}_M / \dot{e}_0| = \sqrt{\frac{\left(\frac{2}{B_1}\right)^2 (B_2 + \phi)^2}{2(B_2 - \phi)}} \quad (17)$$

Extending the trajectory into the half plane  $e < 0$  and carrying-out a similar reasoning show that successive crossings of the  $e = 0$  axis satisfy the inequality

$$\left| \frac{\dot{e}_{i+1}}{\dot{e}_i} \right| \leq q$$

The  $q < 1$  condition is sufficient for the algorithm convergence. Indeed, the real trajectory consists of an infinite number of segments. The total variance is given by

$$\text{Var}(\dot{e}) = \sum |\dot{e}_i| \leq |\dot{e}_0| (1 + q + q^2 + \dots) = \frac{|\dot{e}_0|}{1-q} \quad (18)$$

Therefore, the algorithm obviously converges.

The convergence time is to be estimated now. Consider an auxiliary variable

$$\eta = y - \dot{z} \quad (19)$$

$\eta = \dot{e}$  when  $e = 0$ . Thus,  $\eta$  tends to zero. Its derivative

$$\ddot{e} = -B_2 \text{sgn}(e) - G \quad (20)$$

satisfies the inequalities

$$0 < B_2 - \phi \leq -\dot{\eta} \text{sgn}(e_{I_{rd}}) \leq B_2 + \phi \quad (21)$$

The real trajectory consists of an infinite number of segments between  $\eta_i = \dot{e}_i$  and  $\eta_{i+1} = \dot{e}_{i+1}$  associated to the time  $t_i$  and  $t_{i+1}$ , respectively. Consider  $t_c$ , the total convergence time.

$$\left\{ \begin{array}{l} t_c = \sum (t_{i+1} - t_i) \leq \sum \frac{|\eta_i|}{B_2 - \phi} \\ t_c \leq \frac{1}{B_2 - \phi} \sum |\dot{e}_i| \\ t_c \leq \frac{|\dot{e}_0|}{(B_2 - \phi)(1-q)} \end{array} \right. \quad (22)$$

This means that the observer objective is achieved. It exist  $t_c$  such as  $\omega_r = \dot{W}$ .

#### IV. HOSM Control of the DFIG-Based WT

The above designed HOSM observer is now used for the control of a doubly-fed induction generator-based wind turbine. The adopted control strategy is also the HOSM approach developed in [12]. It is briefly presented in this section.

For simplification purposes, the  $q$ -axis is aligned with the stator voltage and the stator resistance is neglected. These will lead to.

$$\left\{ \begin{array}{l} \frac{dI_{rd}}{dt} = \frac{1}{\sigma L_r} \left( V_{rd} - R_r I_{rd} + s\omega_s \sigma L_r I_{rq} - \frac{M}{L_s} \frac{d\phi_{sd}}{dt} \right) \\ \frac{dI_{rq}}{dt} = \frac{1}{\sigma L_r} \left( V_{rq} - R_r I_{rq} - s\omega_s \sigma L_r I_{rd} - s\omega_s \frac{M}{L_s} \phi_{sd} \right) \\ T_{em} = -p \frac{M}{L_s} \phi_{sd} I_{rq} \end{array} \right. \quad (23)$$

Setting the reactive power to zero will therefore lead to the rotor reference current.

$$I_{rd\_ref} = \frac{V_s}{\omega_s M} \quad (24)$$

The control objective is to optimize the wind energy capture by tracking the optimal torque  $T_{ref}$ . This objective can be formulated by the following tracking errors.

$$\begin{cases} e_{I_{rd}} = I_{rd} - I_{rd\_ref} \\ e_{T_{em}} = T_{em} - T_{ref} \end{cases} \quad (25)$$

In short, the following second-order sliding mode controller based on the supertwisting algorithm is therefore adopted [12].

$$\begin{cases} V_{rd} = y_1 - B_1 |e_{I_{rd}}|^{\frac{1}{2}} \text{sgn}(e_{I_{rd}}), \dot{y}_1 = -B_2 \text{sgn}(e_{I_{rd}}) \\ V_{rq} = y_2 + B_3 |e_{T_{em}}|^{\frac{1}{2}} \text{sgn}(e_{T_{em}}), \dot{y}_2 = +B_4 \text{sgn}(e_{T_{em}}) \end{cases} \quad (26)$$

where the constants  $B_1, B_2, B_3$ , and  $B_4$  are defined as

$$\left\{ \begin{array}{l} B_1^2 > \frac{2\sigma^2 L_r^2 \left( \frac{B_2}{\sigma L_r} + \Phi_1 \right)}{\left( \frac{B_2}{\sigma L_r} - \Phi_1 \right)}, B_2 > \sigma L_r \Phi_1, |\dot{G}_1| < \Phi_1 \\ B_3^2 > 2 \left( \frac{\sigma L_s L_r}{pM} \right)^2 \frac{\left( p \frac{M}{\sigma L_s L_r} B_4 + \Phi_2 \right)}{\left( p \frac{M}{\sigma L_s L_r} B_4 - \Phi_2 \right)}, B_4 > \frac{\sigma L_s L_r}{pM} \Phi_2 \\ |\dot{G}_2| < \Phi_2 \end{array} \right. \quad (27)$$

The above proposed sensorless HOSM control strategy using a HOSM speed observer is illustrated by the block diagram in Fig. 4.

#### V. FAST Code-Based Simulation Results

The proposed HOSM sensorless control strategy has been tested for validation using the NREL FAST code [16].

An interface has been developed between FAST and Matlab-Simulink<sup>®</sup> to implement the proposed HOSM observer and control strategy in Simulink convenient block diagram form (Fig. 5). Hence, electrical model (DFIG, grid, control system, etc.) designed in the Simulink environment is simulated while making use of the complete nonlinear aerodynamic wind turbine motion equations available in FAST (Fig. 6).

Numerical validations, using FAST with Matlab-Simulink<sup>®</sup> have been carried out on the NREL WP 1.5-MW wind turbine. The validation tests were performed using turbulent FAST wind data shown by Fig. 7.

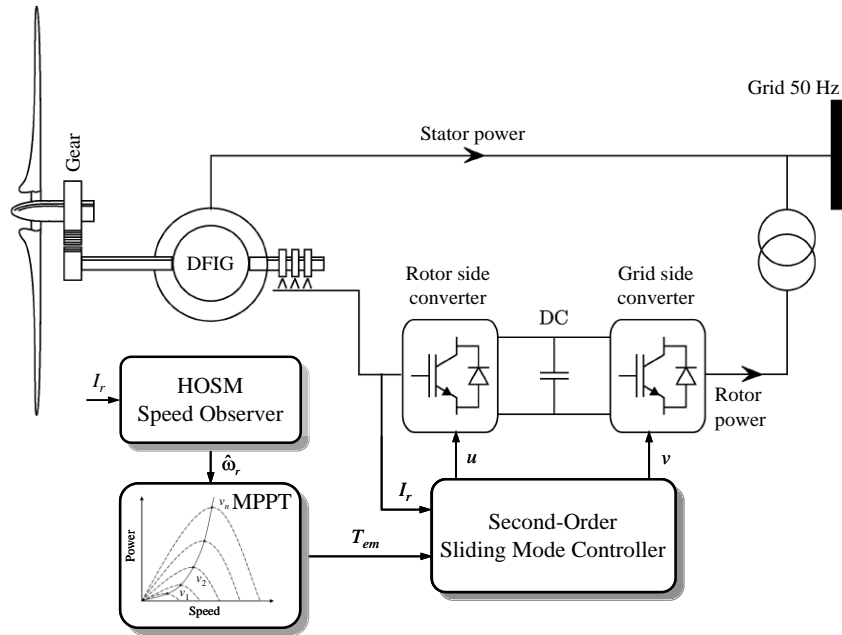


Fig. 4. The proposed sensorless control structure.

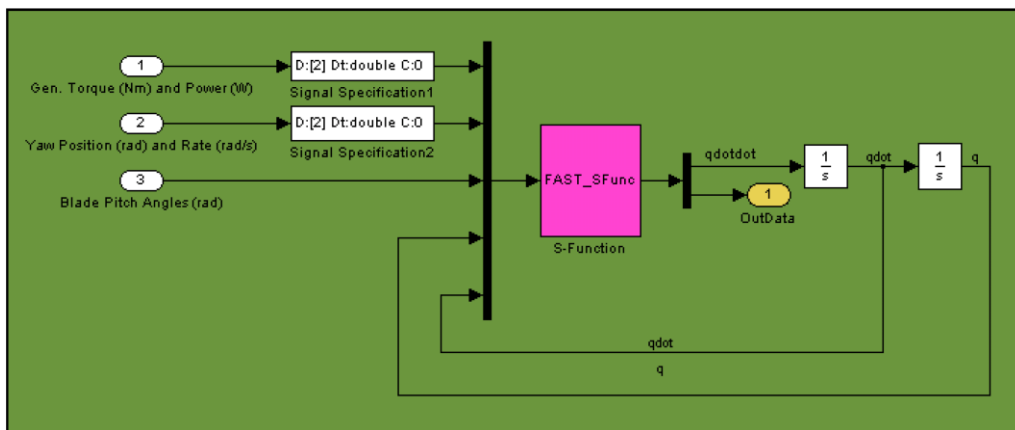


Fig. 5. FAST wind turbine block.

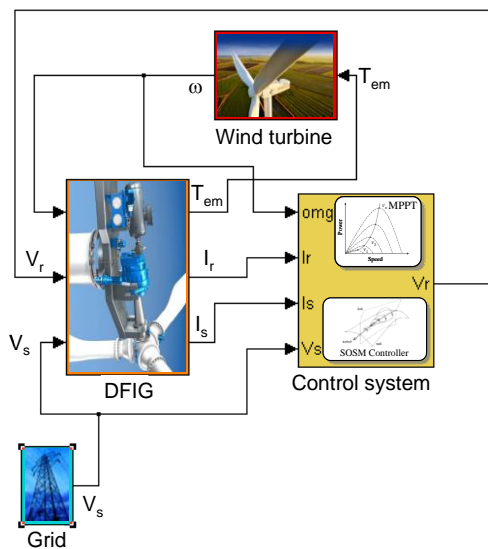


Fig. 6. Simulink model.

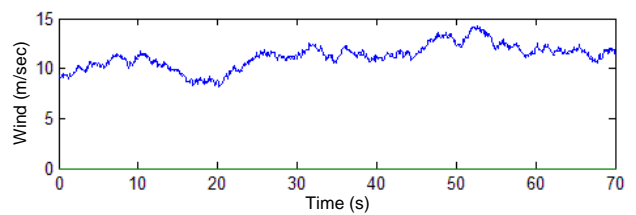


Fig. 7. Wind speed profile.

The performances of the proposed HOSM speed observer are illustrated by Fig. 8. The achieved results show quiet good tracking chattering free performances.

Figures 9 and 10 illustrate the HOSM sensorless control performances in terms of DFIG rotor current and WT torque. In this case quiet good tracking performances are achieved according to the wind fluctuations. As is [12], the sensorless control strategy does not induce mechanical stress as there is no chattering in the wind turbine torque (Fig. 10).

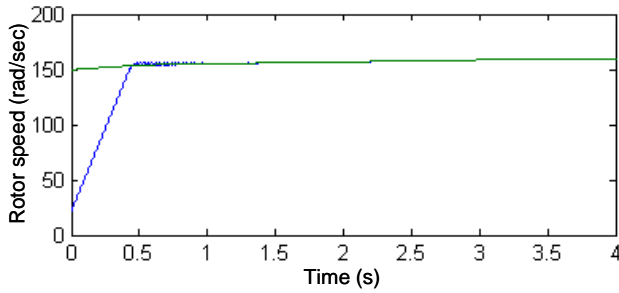


Fig. 8. Rotor speed: Observer (blue) and real (green).

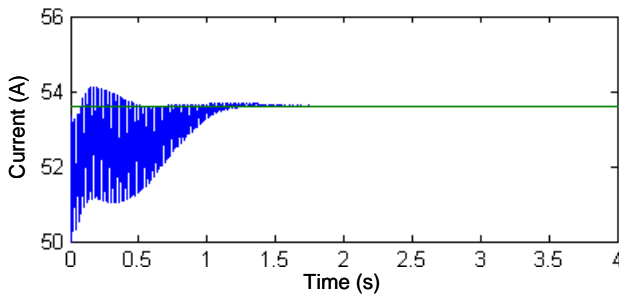


Fig. 9. Current  $I_{d}$  tracking performance: Reference (green) and real (blue).

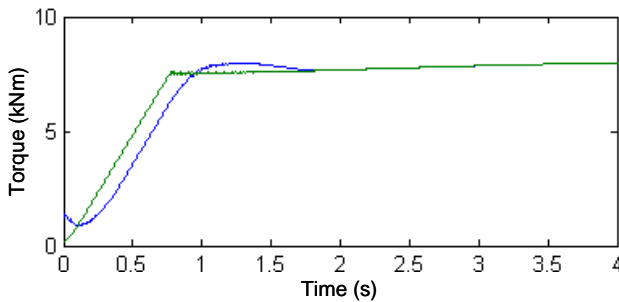


Fig. 10. Torque tracking performance: Reference (green) and real (blue).

## VI. Conclusion

This paper dealt with a sensorless control scheme of a doubly-fed induction generator-based wind turbine. The proposed sensorless control approach was based on a high-order sliding mode observer to estimate the generator speed. Specifically, the proposed global control strategy combines an MPPT using a high-order sliding mode observer and also a high-order sliding mode for the generator control. Simulations using the FAST code on a 1.5-MW three-blade wind turbine have led to very promising results that show the effectiveness of a high-order sliding modes sensorless control scheme.

## Appendix

Characteristics of the Simulated Wind Turbine

Number of blades	3
Rotor diameter	70 m
Hub height	84.3 m
Rated power	1.5 MW
Turbine total inertia	$4.4532 \times 10^5 \text{ kg m}^2$

Parameters of the Simulated DFIG

$$R_s = 0.005 \Omega, L_s = 0.407 \text{ mH}, R_r = 0.0089 \Omega, L_r = 0.299 \text{ mH}$$

$$M = 0.016 \text{ mH}, p = 2$$

## References

- [1] M. Liserre, R. Cardenas, M. Molinas and J. Rodriguez, "Overview of multi-MW wind turbines and wind parks," *IEEE Trans. Industrial Electronics*, vol. 58, n<sup>o</sup>4, pp. 1081-1095, April 2011.
- [2] M. Tazil, V. Kumar, R.C. Bansal, S. Kong, Z.Y. Dong, W. Freitas and H.D. Mathur, "Three-phase doubly fed induction generators: an overview," *IET Power Applications*, vol. 4, n<sup>o</sup>2, pp. 75-89, February 2010.
- [3] M. Pucci and M. Cirrincione, "Neural MPPT control of wind Generators with induction machines without speed sensors," *IEEE Trans. Industrial Electronics*, vol. 58, n<sup>o</sup>1, pp. 37-47, January 2011.
- [4] S. Yang and V. Ajjarapu, "A speed-adaptive reduced-order observer for sensorless vector control of doubly fed induction generator-based variable-speed wind turbines," *IEEE Trans. Energy Conversion*, vol. 25, n<sup>o</sup>3, pp. 891-900, September 2010.
- [5] R. Cardenas, R. Pena, P. Wheeler, J. Clare, G. Asher and J. Proboste, "MRAS observers for sensorless control of doubly-fed induction generators," *IEEE Trans. Power Electronics*, vol. 23, n<sup>o</sup>3, pp. 1075-1084, May 2008.
- [6] R. Pena, R. Cardenas, J. Proboste, G. Asher and J. Clare, "Sensorless control of doubly-fed induction generators using a rotor-current-based MRAS observer," *IEEE Trans. Industrial Electronics*, vol. 55, n<sup>o</sup>53, pp. 330-339, January 2008.
- [7] A. Ferreira, F.J. Bejarano and L.M. Fridman, "Robust control with exact uncertainties compensation: With or without chattering?," *IEEE Trans. Control Systems Technology*, vol. 19, n<sup>o</sup>5, pp. 969-975, September 2011.
- [8] Y. Feng, J. Zheng, X. Yu and N.V. Truong, "Hybrid terminal sliding-mode observer design method for a permanent-magnet synchronous motor control system," *IEEE Trans. Industrial Electronics*, vol. 56, n<sup>o</sup>9, pp. 3424-3431, September 2009.
- [9] A. Arisoy, S. Bogosyan and M. Gokasan, "Experimental evaluation of novel high order sliding mode controllers for high performance direct drive systems," *International Review on Modelling and Simulations*, vol. 4, n<sup>o</sup>6, pp. 1259-1272, November-December 2009.
- [10] B. Beltran, M.E.H. Benbouzid, T. Ahmed-Ali and H. Mangel, "DFIG-based wind turbine robust control using high-order sliding modes and a high gain observer," *International Review on Modelling and Simulations*, vol. 4, n<sup>o</sup>3, pp. 1148-1155, June 2011.
- [11] M.E.H. Benbouzid, B. Beltran, H. Mangel and A. Mamoune, "A high-order sliding mode observer for sensorless control of DFIG-based wind turbines," in *Proceedings of the 2012 IEEE IECON*, Montreal (Canada), pp. 4288-4292, October 2012.
- [12] B. Beltran, M.E.H. Benbouzid and T. Ahmed-Ali, "Second-order sliding mode control of a doubly fed induction generator driven wind turbine," *IEEE Trans. Energy Conversion*, vol. 27, n<sup>o</sup>2, pp. 261-269, June 2012.
- [13] B. Beltran, T. Ahmed-Ali and M.E.H. Benbouzid, "High-order sliding mode control of variable speed wind turbines," *IEEE Trans. Industrial Electronics*, vol. 56, n<sup>o</sup>9, pp. 3314-3321, September 2009.
- [14] M.E.H. Benbouzid, B. Beltran, M. Ezzat and S. Breton, "DFIG driven wind turbine grid fault-tolerance using high-order sliding mode control," *International Review on Modelling and Simulations*, vol. 6, n<sup>o</sup>1, pp. 29-32, February 2013.
- [15] A. Levant and L. Alelishvili, "Integral high-order sliding modes," *IEEE Trans. Automatic Control*, vol. 52, n<sup>o</sup>7, pp. 1278-1282, July 2007.
- [16] <http://wind.nrel.gov/designcodes/simulators/fast/>.

<sup>1</sup>University of Brest, EA 4325 LBMS, Rue de Kergoat, CS 93837, 29238 Brest Cedex 03, France (e-mail: [Mohamed.Benbouzid@univ-brest.fr](mailto:Mohamed.Benbouzid@univ-brest.fr)).

<sup>2</sup>ISEN-Brest, EA 4325 LBMS, 20, Rue Cuirassé Bretagne, CS 42807, 29228 Brest Cedex 2, France. (e-mail: [Yassine.Amirat@isen.fr](mailto:Yassine.Amirat@isen.fr)).



**Mohamed El Hachemi Benbouzid** was born in Batna, Algeria, in 1968. He received the B.Sc. degree in electrical engineering from the University of Batna, Batna, Algeria, in 1990, the M.Sc. and Ph.D. degrees in electrical and computer engineering from the National Polytechnic Institute of Grenoble, Grenoble, France, in 1991 and 1994, respectively, and the Habilitation à Diriger des Recherches degree from the University of Picardie “Jules Verne,” Amiens, France, in 2000.

After receiving the Ph.D. degree, he joined the Professional Institute of Amiens, University of Picardie “Jules Verne,” where he was an Associate Professor of electrical and computer engineering. Since September 2004, he has been with the Institut Universitaire de Technologie of Brest, University of Brest, Brest, France, where he is a Professor of electrical engineering. His main research interests and experience include analysis, design, and control of electric machines, variable-speed drives for traction, propulsion, and renewable energy applications, and fault diagnosis of electric machines.

Prof. Benbouzid is an IEEE Senior Member. He is the Editor-in-Chief of the International Journal on Energy Conversion (IRECON). He is also an Associate Editor of the IEEE TRANSACTIONS ON ENERGY CONVERSION, the IEEE TRANSACTIONS ON INDUSTRIAL ELECTRONICS, the IEEE TRANSACTIONS ON SUSTAINABLE ENERGY, and the IEEE TRANSACTIONS ON VEHICULAR TECHNOLOGY. He was an Associate Editor of the IEEE/ASME TRANSACTIONS ON MECHATRONICS from 2006 to 2009.



**Brice Beltran** was born in Arles, France, in 1981. He received the Engineer degree in electrical engineering, from Ecole Nationale Supérieure d’Ingénieurs des Etudes et Techniques d’Armement (ENSIETA), Brest, France, in 2006, and the Ph.D. degree in electrical engineering in 2010 from the University of Brest, Brest, France.

In 2006, he joined the DGA (Délégation Générale pour l’Armenement) as an Engineer and Technical Expert in information systems. In January 2010, he joined the LBMS Lab (EA 4325) as an Associate Member. His current research interests include modeling and control of renewable energy applications.



**Yassine Amirat** was born in Annaba, Algeria, in 1970. He received the B.Sc. and M.Sc. degrees both in electrical engineering, from the University of Annaba, Annaba, Algeria, in 1994 and 1997 respectively. In 2011, he received the PhD degree in electrical engineering from the University of Brest, Brest, France.

Dr. Amirat was a Lecturer in the University of Annaba, Annaba, Algeria and than in the Institut Supérieur de l’Electronique et du Numérique (ISEN), Brest, France. Since January 2012, he is an Associate Professor of electrical engineering. His current research interests are the condition monitoring and the control of electrical drives and power electronics.



**Sylvie Lojou Breton** was born in Toulouse, France, in 1960. She received the M.Sc. and Ph.D degrees in electrical engineering from the University of Rennes, Rennes, France, in 1984 and 1989, respectively.

Since September 1989, she has been an Associate Professor with the Institut Universitaire de Technologie of Brest, University of Brest, Brest, France. She was a Research Associates with the LabSTICC Telecom Bretagne from 1989 to 2004, working on material dielectric microwave characterization. Since 2005, she has been a member of the LBMS Lab (EA 4325) working on NDT.