



HAL
open science

Workspace and joint space analysis of the 3-RPS parallel robot

Damien Chablat, Ranjan Jha, Fabrice Rouillier, Guillaume Moroz

► **To cite this version:**

Damien Chablat, Ranjan Jha, Fabrice Rouillier, Guillaume Moroz. Workspace and joint space analysis of the 3-RPS parallel robot. ASME 2013 International Design Engineering Technical Conferences & Computers and Information in Engineering Conference, Aug 2014, Buffalo, United States. pp.1-10. hal-01006614

HAL Id: hal-01006614

<https://hal.science/hal-01006614>

Submitted on 16 Jun 2014

HAL is a multi-disciplinary open access archive for the deposit and dissemination of scientific research documents, whether they are published or not. The documents may come from teaching and research institutions in France or abroad, or from public or private research centers.

L'archive ouverte pluridisciplinaire **HAL**, est destinée au dépôt et à la diffusion de documents scientifiques de niveau recherche, publiés ou non, émanant des établissements d'enseignement et de recherche français ou étrangers, des laboratoires publics ou privés.

DETC2014/MR-34593

WORKSPACE AND JOINT SPACE ANALYSIS OF THE 3-RPS PARALLEL ROBOT

D. Chablat, R. Jha

Institut de Recherche en Communications
et Cybernétique de Nantes
(UMR CNRS 6597) France

Email addresses:

Damien.Chablat@ircnec-nantes.fr
Ranjan.Jha@ircnec-nantes.fr

F. Rouillier

INRIA Paris-Rocquencourt
Institut de Mathématiques de Jussieu
(UMR CNRS 7586), France

Email addresses:

Fabrice.Rouillier@inria.fr

G. Moroz

INRIA Nancy-Grand Est,
France

Email addresses:

Guillaume.Moroz@inria.fr

ABSTRACT

The Accurate calculation of the workspace and joint space for 3 RPS parallel robotic manipulator is a highly addressed research work across the world. Researchers have proposed a variety of methods to calculate these parameters. In the present context a cylindrical algebraic decomposition based method is proposed to model the workspace and joint space. It is a well known feature that this robot admits two operation modes. We are able to find out the set in the joint space with a constant number of solutions for the direct kinematic problem and the locus of the cusp points for the both operation mode. The characteristic surfaces are also computed to define the uniqueness domains in the workspace. A simple 3-RPS parallel with similar base and mobile platform is used to illustrate this method.

INTRODUCTION

The workspace of parallel robots mainly depends upon the actuated joint variables, the range of motion of the joints and the mechanical interferences between the bodies of mechanism. There are different techniques based on geometric, discretization, numerical and algebraic methods which are used to calculate the workspace of parallel robot. The main advantage of the geometric approach is that, it establish the nature of the boundary of the workspace [1]. Also it allows the computation of the surface and volume of the workspace while being very efficient

in terms of storage space, but if the rotational motion is included, it becomes more complex. The interval analysis based method can be used to compute the workspace but the computation time depends on the complexity of the robot and the accuracy requested. The ALIAS library is a good implementation for the parallel robots [2]. Discretization methods are usually less complex and take into account all kinematic constraints, but require more space and computation time for higher resolutions. The majority of numerical methods which is used to determine the workspace of parallel manipulators includes the discretization of the pose parameters for the determination of workspace boundaries [3]. Algebraic methods are used in [4–6] to study planar or spatial parallel robots. Two main steps are necessary to perform the workspace and jointspace analysis. First, the discriminant variety is computed to characterize the boundaries of the workspace and jointspace as well as the singularities. Second, the Cylindrical Algebraic Decomposition (CAD) is used to define the connected regions where there exists a constant number of real solutions to the inverse and direct kinematic problem and no parallel or serial singularities [5–7].

For the design or the trajectory planning, the workspace of the parallel manipulator is divided into singularity-free regions [8]. The singularities divide the workspace into aspects and the characteristic surfaces induce a partition of each aspect into a set of regions (the basic regions) [9]. For the parallel robots with several inverse and direct kinematic solutions, the aspects are de-

defined as the maximal singularity-free sets in the workspace or the cross-product of the joint space by the workspace. An assembly mode is associated with a solution for the Direct Kinematic Problem (DKP) and a working mode for the Inverse Kinematic Problem (IKP). Practically, a change of assembly mode may occur during the execution of a trajectory between two configurations in the workspace which are not necessarily associated with the same input for a given working mode. The uniqueness domains can be defined as the maximal regions of the workspace where all the displacements of the end-effector can be accomplished without changing of assembly mode and working mode [5]. The main goal of this paper is to generalize the notions of the uniqueness domains for parallel robot with several operation modes and a single working mode.

The outline of the paper is as follows. Firstly, the kinematic equations of the 3-RPS parallel robot under study are introduced. The singular configurations are written for both operation modes. The cylindrical algebraic decomposition algorithm is presented to explain the study of the workspace and the joint space. Then, the characteristic surface is defined for the parallel robots with several operations. Finally, the basic regions and the basic components are computed to define the uniqueness domains for the direct kinematic problem.

KINEMATICS OF 3 RPS

The robot under study is the 3-RPS parallel robot with three degrees of freedom and has been studied by many researchers [10, 11]. It is the assembly of two equilateral triangles (the base, moving platform) by three identical RPS legs where R is a revolute passive joint, P an actuated prismatic joint and S a passive spherical joint. Thus, the revolute joint is connected to the fixed base and the spherical joint to the mobile platform.

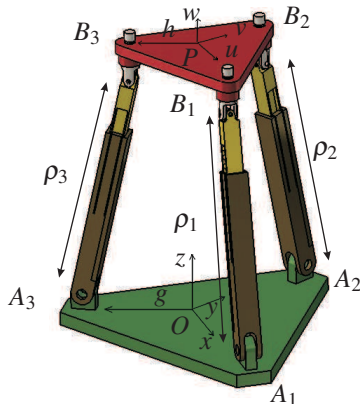


FIGURE 1. 3-RPS parallel robot

Considering the 3-RPS parallel manipulator, as shown in figure 1, the fixed base consists of an equilateral triangle with vertices A_1 , A_2 and A_3 , and circumradius g . The moving platform is another equilateral triangle with vertices B_1 , B_2 and B_3 and circumradius h , and circumcenter P . The two design parameters g and h are positive numbers. Connecting each of the vertices' pairs A_i, B_i ($i = 1, 2, 3$) by a limb, a rotational joint lies at A_i and a spherical joint lies at B_i . ρ_i denotes the length of each limb and the adjustment is done through an actuated prismatic joint. Thus, there are five parameters, namely g, h, ρ_1, ρ_2 and ρ_3 . The g and h parameters determine the design of the manipulator whereas the joint parameters ρ_1, ρ_2 and ρ_3 determine the motion of the robot. To simplify the equations, we will study a robot with $g = h = 1$, which permits to have simple constraint equations.

Kinematic equations

Spatial rotations in three dimensions can be parametrized using Euler angles [12], unit quaternions [13] or dual quaternions [10]. The quaternion representation is used for modeling the orientation as quaternions do not suffer from singularities as Euler angles do. Moreover, to transform the trigonometric equations to algebraic equations, we may either introduce the singularity of the transformation $t = \tan(\alpha/2)$ or replace the angle α by two parameters $\cos\alpha$ and $\sin\alpha$ with $\cos^2\alpha + \sin^2\alpha = 1$. In addition, it is easier to represent workspace sections with the quaternions than the dual quaternions.

A quaternion \mathbf{q} is defined by

$$\mathbf{q} = q_1 + q_2\mathbf{i} + q_3\mathbf{j} + q_4\mathbf{k} \quad (1)$$

The quaternion rotation matrix for the parallel robot is then

$$\mathbf{Q} = \begin{bmatrix} 2q_1^2 + 2q_2^2 - 1 & -2q_1q_4 + 2q_2q_3 & 2q_1q_3 + 2q_2q_4 \\ 2q_1q_4 + 2q_2q_3 & 2q_1^2 + 2q_3^2 - 1 & -2q_1q_2 + 2q_3q_4 \\ -2q_1q_3 + 2q_2q_4 & 2q_1q_2 + 2q_3q_4 & 2q_1^2 + 2q_4^2 - 1 \end{bmatrix} \quad (2)$$

with $q_1^2 + q_2^2 + q_3^2 + q_4^2 = 1$. The transformation from the moving frame to the fixed frame can be described by a position vector $\mathbf{p} = OP$ and a 3×3 rotation matrix \mathbf{R} . Let \mathbf{u}, \mathbf{v} and \mathbf{w} be the three unit vectors defined along the axes of the moving frame, then the rotation matrix can be expressed in terms of the coordinates of \mathbf{u}, \mathbf{v} and \mathbf{w} as:

$$\mathbf{R} = \begin{bmatrix} u_x & v_x & w_x \\ u_y & v_y & w_y \\ u_z & v_z & w_z \end{bmatrix} \quad (3)$$

The vertices of the base triangle and mobile platform triangle are

$$\mathbf{A}_1 = \begin{bmatrix} g \\ 0 \\ 0 \end{bmatrix} \quad \mathbf{A}_2 = \begin{bmatrix} -g/2 \\ g\sqrt{3}/2 \\ 0 \end{bmatrix} \quad \mathbf{A}_3 = \begin{bmatrix} -g/2 \\ -g\sqrt{3}/2 \\ 0 \end{bmatrix} \quad (4)$$

$$\mathbf{b}_1 = \begin{bmatrix} h \\ 0 \\ 0 \end{bmatrix} \quad \mathbf{b}_2 = \begin{bmatrix} -h/2 \\ h\sqrt{3}/2 \\ 0 \end{bmatrix} \quad \mathbf{b}_3 = \begin{bmatrix} -h/2 \\ -h\sqrt{3}/2 \\ 0 \end{bmatrix} \quad (5)$$

The coordinates of \mathbf{b}_i with respect to fixed frame reference are obtained by $\mathbf{B}_i = \mathbf{P} + \mathbf{R}\mathbf{b}_i$ for $i = 1, 2, 3$. Also the coordinates of the centre of the mobile platform in the fixed reference is $\mathbf{P} = [x \ y \ z]^T$. The distance constraints yields:

$$\|\mathbf{A}_i - \mathbf{B}_i\| = \rho_i^2 \quad \text{with } i = 1, 2, 3 \quad (6)$$

As A_i are revolute joints, the motion of the B_i are constrained in planes. This leads to the three constraint equations:

$$u_y h + y = 0 \quad (7)$$

$$y - u_y h/2 + \sqrt{3}v_y h/2 + \sqrt{3}x - \sqrt{3}u_x h/2 + 3v_x h/2 = 0 \quad (8)$$

$$y - u_y h/2 - \sqrt{3}v_y h/2 - \sqrt{3}x + \sqrt{3}u_x h/2 + 3v_x h/2 = 0 \quad (9)$$

Solving with respect to x and y we get:

$$y = -hu_y \quad (10)$$

$$x = h \left(\sqrt{3}u_x - \sqrt{3}v_y - 3u_y + 3v_x \right) \sqrt{3}/6 \quad (11)$$

In Equations 6, 8, 9, we substitute x, y using relations 10 and 11, and $\mathbf{u}, \mathbf{v}, \mathbf{w}$ by quaternion expressions using 2. Then (8) and (9) become $q_1 q_4 = 0$. Thus, we have either $q_1 = 0$ or $q_4 = 0$. This property is associated with the notion of operation mode. To obtain the algebraic equations, we replace $\sqrt{3}$ by the variable S_3 and add the equation $S_3^2 - 3 = 0$ and the constraint $s_3 > 0$.

Operation Modes

Notion of operation mode (OM) was introduced in [14] to explain the behavior of the DYMO robot. An operation mode is associated with a specific type of motion. For the DYMO robot, there are five operation modes: translational, rotational, planar (two types) and mixed motions. In the workspace W , for each operation mode, W_{OM^i} is defined such that

- $W_{OM^i} \subset W$

- $\forall X \in W_{OM^i}$, OM is constant

For a parallel robot with several operating modes, the pose can be defined by fixing the same number of parameters as the degree of freedom of the mobile platform. Given an operation mode OM^j , if we have a single inverse kinematic solution, we can define an application that maps \mathbf{X} onto \mathbf{q} :

$$g_j(\mathbf{X}) = \mathbf{q} \quad (12)$$

Then, the images in W_{OM^j} of a posture \mathbf{q} in the joint space Q are defined by:

$$g_j^{-1}(\mathbf{q}) = (\mathbf{X}/(\mathbf{X}, \mathbf{q}) \in OM^j) \quad (13)$$

where g_j^{-1} stands to be the direct kinematic problem for the operation mode j .

Singularities

Differentiating the constraints equations with respect to time leads to the velocity model:

$$\mathbf{A}\mathbf{t} + \mathbf{B}\dot{\mathbf{q}} = 0 \quad (14)$$

where \mathbf{A} and \mathbf{B} are the parallel and serial Jacobian matrices, respectively, \mathbf{t} is the velocity of P and $\dot{\mathbf{q}}$ joint velocities. The parallel singularities occur whenever $\det(\mathbf{A}) = 0$. Let OM^1 be the operation mode where $q_1 = 0$ and OM^2 , where $q_4 = 0$, then \mathcal{S}_{OM^1} and \mathcal{S}_{OM^2} represent the singularity locus and are characterized by:

$$\begin{aligned} \mathcal{S}_{OM^1} : & q_4(8q_2q_3^2q_4^6 + 2q_2q_4^8 - 64zq_3^6q_4 - 96zq_3^4q_4^3 - 36zq_3^2q_4^5 \\ & - 6zq_4^7 - 24z^2q_2q_3^2q_4^2 - 6z^2q_2q_4^4 - 32q_2q_3^2q_4^4 - 10q_2q_4^6 + 2z^3q_4^3 \\ & + 96zq_3^4q_4 + 72zq_3^2q_4^3 + 23zq_4^5 + 16z^2q_2q_3^2 + 10z^2q_2q_4^2 + 8q_2q_4^4 \\ & - z^3q_4 - 36zq_3^2q_4 - 21zq_4^3 - 4z^2q_2 + 4zq_4) = 0 \end{aligned}$$

$$\begin{aligned} \mathcal{S}_{OM^2} : & q_1^2(6q_1^7q_3 + 8q_1^5q_3^3 - 2zq_1^6 + 36zq_1^4q_3^2 + 96zq_1^2q_3^4 \\ & + 64zq_3^6 - 18z^2q_1^3q_3 - 24z^2q_1q_3^3 - 18q_1^5q_3 - 16q_1^3q_3^3 + 2z^3q_1^2 \\ & + 3zq_1^4 - 72zq_1^2q_3^2 - 96zq_3^4 + 18z^2q_1q_3 + 12q_1^3q_3 - z^3 \\ & + 3zq_1^2 + 36zq_3^2 - 4z) = 0 \end{aligned}$$

The serial singularities occur whenever $\det(\mathbf{B}) = 0$ i.e $\rho_1\rho_2\rho_3 = 0$. The common coordinates for the both operation modes are z , q_2 and q_3 . Figure 2(a) represents the singularity curve for OM^1

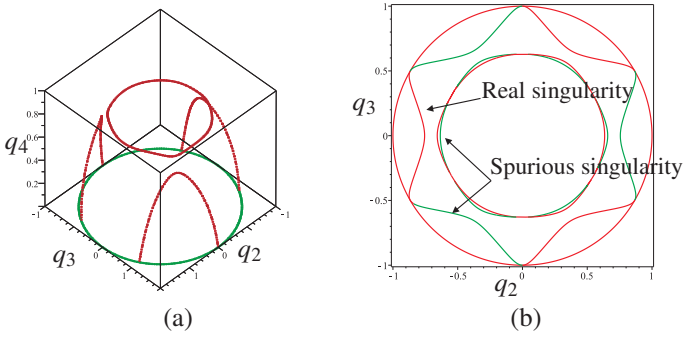


FIGURE 2. Singularity curves for $z = 3$, $q_1 = 0$ (a) and its 2D projection under (q_2, q_3) (b)

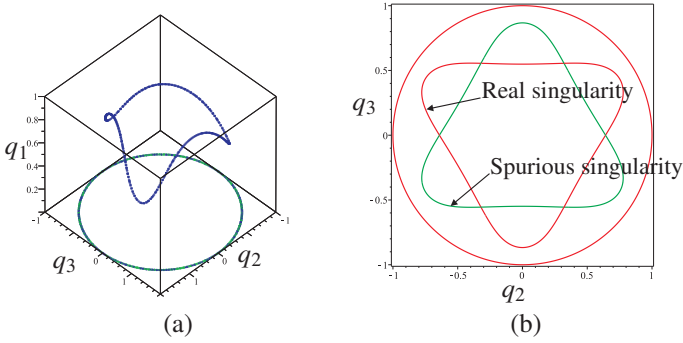


FIGURE 3. Singularity curves for $z = 3$, $q_4 = 0$ (a) and its 2D projection under (q_2, q_3) (b)

for a fixed value of z (i.e. $z = 3$) and Figure 2(b) shows its projection in the two dimensional coordinate space $(q_2 - q_3)$.

Due to the redundancy of the quaternion representation there exists two triplets based on these three coordinates to represent the same pose in the same operation mode. To overcome this problem, we set $q_1 > 0$ and $q_4 > 0$. We can then depict a slice of this surface by fixing one parameter as shown in Figures 2(a) and 3(a). Figures 2(b) and 3(b) shows the singularity curves in the projection space z , q_2 and q_3 , where the red curve is a real singular locus, which represents the positive values of q_4 or q_1 and the green curve is a spurious singularity curve, which represents the negative values of q_4 or q_1 .

Cylindrical algebraic decomposition

The workspace (resp. Joint space) analysis classifies the number of solutions of the parametric system associated with the Inverse (resp. Direct) Kinematic Problem (IKP). This method was introduced for parallel robots in [5]. We will recall here the main steps of the computation and the new step for a robot with several operation modes. For such operations, both workspace as well as joint space is decomposed into cells C_1, \dots, C_k , such that:

- C_i is an open connected subset of the workspace;
- for all pose values in C_i , the direct (resp. inverse) kinematics problem has a constant number of solutions;
- C_i is maximal in the sense that if C_i is contained in a set E , then E does not satisfy the first or the second condition.
- The C_i are disjoint and their complementary is a set of null measure.

The three main steps involved in the analysis are:

- Computation of a subset of the joint space (resp. workspace) where the number of solutions changes: the *Discriminant Variety* [5].
- Description of the complementary of the discriminant variety in connected cells: the *Generic Cylindrical Algebraic Decomposition*.
- Connecting the cells belonging to the same connected component in the counterpart of the discriminant variety: *interval comparisons*.

From a general point of view, the discriminant variety is defined for any system of polynomial equations and inequalities. The union of the Discriminant variety and of the cells thus define a partition of the considered space. Let p_1, \dots, p_l and q_1, \dots, q_l be polynomials with rational coefficients depending on the unknowns X_1, \dots, X_n , and on the parameters U_1, \dots, U_d . Let us consider the constructible set:

$$\mathcal{C} = \left\{ \mathbf{v} \in \mathbb{C}^{n+d}, p_1(\mathbf{v}) = 0, \dots, p_m(\mathbf{v}) = 0, \right. \\ \left. q_1(\mathbf{v}) \neq 0, \dots, q_l(\mathbf{v}) \neq 0 \right\} \quad (15)$$

If we assume that \mathcal{C} is a finite number of points for almost all the parameter values, a discriminant variety V_D of \mathcal{C} is a variety in the parameter space \mathbb{C}^d such that, over each connected open set \mathcal{U} satisfying $\mathcal{U} \cap V_D = \emptyset$, \mathcal{C} defines an analytic covering. In particular, the number of points of \mathcal{C} over any point of \mathcal{U} is constant.

Let us now consider the following semi-algebraic set:

$$\mathcal{S} = \left\{ \mathbf{v} \in \mathbb{C}^{n+d}, p_1(\mathbf{v}) = 0, \dots, \right. \\ \left. p_m(\mathbf{v}) = 0, q_1(\mathbf{v}) \geq 0, \dots, q_l(\mathbf{v}) \geq 0 \right\} \quad (16)$$

If we assume that \mathcal{S} has a finite number of solutions over at least one real point that does not belong to V_D , then $V_D \cap \mathbb{R}^d$ can be viewed as a real discriminant variety of $\mathcal{S} \cap \mathbb{R}^{\lfloor \cdot \rfloor}$, with the same property: over each open set $\mathcal{U} \subset \mathbb{R}^{\lfloor \cdot \rfloor}$ such that $\mathcal{U} \cap V_D \cap \mathbb{R}^d = \emptyset$, \mathcal{C} defines an analytic covering. In particular the number of real points of \mathcal{S} over any point of \mathcal{U} is constant. Discriminant varieties can be computed using basic and well known tools from computer algebra such as Groebner bases (see [15], Chapter 3) and a full package computing such objects

in a general framework is available in Maple software through the RootFinding[Parametric] package.

The cylindrical algebraic decomposition (CAD) implemented in the SIROPA library has been used to compute the aspects into a set of cells where algebraic equations define its boundaries and a sample point in each one [5] for the 2PRR-RPR parallel robot. For example, the CAD can provide a formal decomposition of the joint space in cells where the polynomials $\det(\mathbf{A})$ and $\det(\mathbf{B})$ have a constant sign and the number for the DKP is constant [16].

WORKSPACE AND JOINT SPACE ANALYSIS

Joint Space Analysis

The joint space analysis allows the characterization of the regions where the number of real solutions for the direct kinematic model is constant. Using CAD, we can do this study on sections of the joint space. The calculation for the full joint space is possible, but the number of cells obtained is too large for the display capabilities of Maple. Without taking into account the notion of operation mode, Figure 4 depicts the regions with 4, 8, 12 or 16 solutions for the DKP. The maximum number for the DKP of each operation mode is 8.

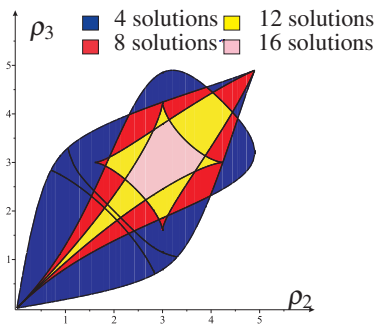


FIGURE 4. Slice of the joint space for $\rho_1 = 3$ and the number of solution for DKP

Figures 5 and 6 show several slices of the joint space for OM^1 and OM^2 , where the DKP admits four and eight real solutions in the blue and red region respectively.

Cuspidal configurations are associated with second-order degeneracies that appear for triply coalesced configurations. These configurations play an important role in the path planning because they are directly linked to the non-singular assembly mode changing trajectories [6, 17–19]. A state of the art for the computation of the cusp points is given in [20]. Here we make use of the Jacobian criterion on the singular locus to extract the points of multiplicity greater than or equal to three. Figures 5 and 6 show that the number of cusp points is changing according to the value of ρ_1 . Figure 7 depicts the locus of the cusp points

in the joint space. These curves are obtained as the intersection of 11 surfaces for OM^1 and 8 surfaces for OM^2 . However, for the 3-RPS parallel robot is very difficult to remove the multiplicity greater than two by using the saturation method as introduced in [21].

Workspace Analysis

The workspace of the robot is a cylinder in the projection space (z, q_2, q_3) if there are no joint limits on the actuated joints.

The workspace analysis can be done by dividing it into a set of aspects. The notion of aspect, previously defined in [22] for serial robots and in [8] for parallel robot with one operation mode can be extended for a parallel robot with several operation modes such that:

- $WA_i^j \subset W_{OM^j}$
- WA_i^j is connected
- $\forall X \in WA_i^j, \det(\mathbf{A}) \neq 0$ and $\det(\mathbf{B}) \neq 0$

In other words, an aspect WA_i^j is the largest connected region without any singularity of the OM^j .

The analysis of the workspace is done in the projection space (z, q_2, q_3) . We found out four aspects as shown in Figure 8.

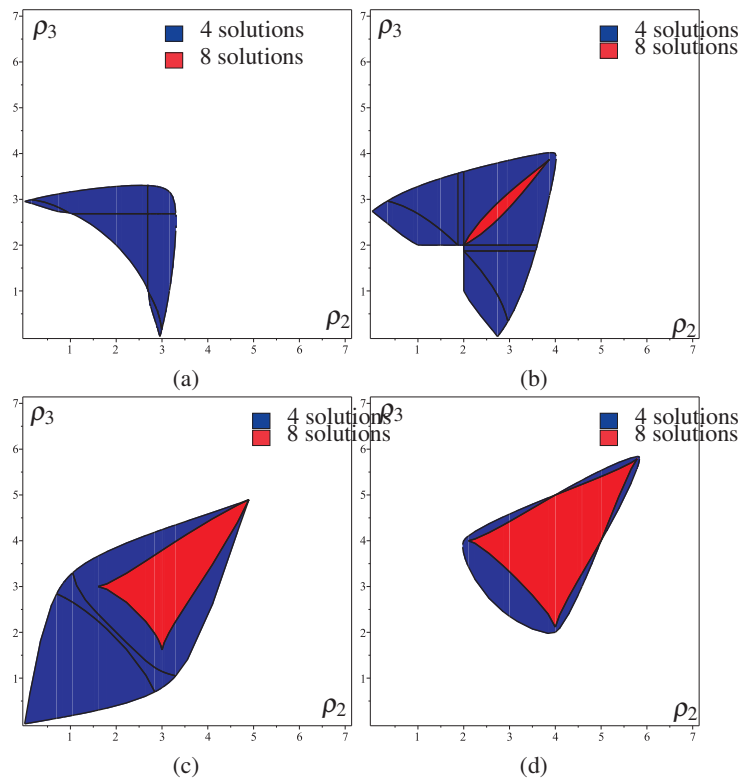


FIGURE 5. Slice of the joint space for OM^1 for $\rho_1 = 1$ (a), $\rho_1 = 2$ (b), $\rho_1 = 3$ (c) and $\rho_1 = 4$ (d) and the number of solution for DKP