



HAL
open science

Genetic characterization of Lithuanian honeybee lines based on ISSR polymorphism

Violeta Ceksteryte, Vanda Paplauskiene, Diana Tamasauskiene, Izolda
Pasakinskiene, Ingrida Mazeikiene

► **To cite this version:**

Violeta Ceksteryte, Vanda Paplauskiene, Diana Tamasauskiene, Izolda Pasakinskiene, Ingrida Mazeikiene. Genetic characterization of Lithuanian honeybee lines based on ISSR polymorphism. *Apidologie*, 2012, 43 (6), pp.652-662. 10.1007/s13592-012-0140-2 . hal-01003662

HAL Id: hal-01003662

<https://hal.science/hal-01003662>

Submitted on 11 May 2020

HAL is a multi-disciplinary open access archive for the deposit and dissemination of scientific research documents, whether they are published or not. The documents may come from teaching and research institutions in France or abroad, or from public or private research centers.

L'archive ouverte pluridisciplinaire **HAL**, est destinée au dépôt et à la diffusion de documents scientifiques de niveau recherche, publiés ou non, émanant des établissements d'enseignement et de recherche français ou étrangers, des laboratoires publics ou privés.

Genetic characterization of Lithuanian honeybee lines based on ISSR polymorphism

Violeta CEKSTERYTE¹, Vanda PAPLAUSKIENE¹, Diana TAMASAUSKIENE¹,
Izolda PASAKINSKIENE², Ingrida MAZEIKIENE³

¹Institute of Agriculture, Lithuanian Research Centre for Agriculture and Forestry, 58344 Akademija, Kedainiai distr., Lithuania

²Faculty of Natural Sciences, Vilnius University, M. K. Ciurlionio 21/27, 03101 Vilnius, Lithuania

³Institute of Horticulture, Lithuanian Research Centre for Agriculture and Forestry, 54333 Babtai, Kaunas reg., Lithuania

Received 7 September 2011 – Revised 12 April 2012 – Accepted 26 April 2012

Abstract – This study presents the first results from the selection and evaluation of inter-simple sequence repeat markers for the genetic assessment of honeybee lines developed in Lithuania and introduced subspecies. Two Lithuania-bred lines of *Apis mellifera carnica* were compared to those introduced from Czech Republic and Slovenia and also to a subspecies introduced from the Caucasus (*Apis mellifera caucasica*) and local Buckfast hybrids. The genetic constitution was assayed with four simple sequence primers: (ATG)₅GA, (TCC)₅GT, (AGAC)₄GC and (GACA)₄GT. Trinucleotide motif primers used in the bee DNA assays produced five to 10 fragments and tetranucleotide ones, six to seven. Primer (TCC)₅GT generated a distinct *A. m. caucasica*-specific 800-bp fragment, which was also present in 40 % of the Buckfast individuals. A dendrogram based on the UPGMS method generated four sub-clusters. One of the Lithuania-bred *A. m. carnica* lines clustered apart from the other *A. m. carnica* lines. In a rooted phylogenetic tree, the group containing *A. m. caucasica* and Buckfast hybrids appeared well differentiated from the *A. m. carnica* lines.

honeybee lines / DNA fingerprinting / genetic distance

1. INTRODUCTION

Bees are important pollinators, but recent studies denoted a decline in European bee populations, both in abundance as well as biological diversity (Biesmeijer et al. 2006). The German honeybee monitoring project assessed overwintering mortality of honeybee colonies, and the main causes associated with such losses were high mite *Varroa destructor* infestation levels, infection with deformed wing virus, acute bee paralysis virus, colony weakness in autumn and also queen age (Genersch et

al. 2010). The European Union is funding the Prevention of Honey Bee Colony Losses (COLOSS) project and European Cooperation in Science and Technology (COST) Action FA0803, wherein scientists and beekeepers from COST and also some non-COST countries collaborate in complementary research on different aspects of bee health, including the impact of environmental conditions, beekeeping management practices, bee genetic diversity and vitality, among others. The aim of the COLOSS Working Group “Diversity and Vitality” is to reduce the dependency of beekeeping on medication. To accomplish this objective, a total of 670 experimental bee colonies from 17 different genetic origins were distributed over 16 locations across Europe in summer 2009. Chemical

Corresponding author: V. Ceksteryte,
violeta@lzi.lt
Manuscript editor: Klaus Hartfelder

treatment against mites is prohibited in the test colonies, except for the cases when they are at risk of collapsing. Neighbouring colonies not involved in the experiment can receive chemical treatment against mites. Vitality of bee colonies and infestation level of *Varroa* mites in the tested colonies will be monitored for several years. This design based on natural selection was proposed to evaluate, select and introduce traits contributing to colony vitality, viz. hygienic behaviour, mite resistance and overwintering (Meixner et al. 2010). A very important trait, fitness of drones under infestation of mites in mating localities, was integrated into the selection process (Büchler et al. 2010). This is of importance as disease resistance is associated with genetic variability of a bee colony (Tarpy and Seeley 2006). Genetic homogeneity due to inbreeding has been shown to lead to a decrease in the innate immune response, as well as many other problems related to bee colony health, like disease transmission, reduced defence against parasites, losses of strength of breeding stocks (Meixner et al. 2010).

The current wide distribution of Carniolan bees over different countries may lead to inbreeding, especially if they are derived from few breeding lines. Nevertheless, several findings suggest natural gene flow among bees or introduction of new strains arriving from different countries. For instance, a restriction site pattern called “eastern Mediterranean type 2” was found in *Apis mellifera carnica* bees from Austria, Slovenia and Croatia (Meixner et al. 1993; Palmer et al. 2000).

The Caucasian bee, *Apis mellifera caucasica*, native to Georgia and neighbouring countries, has spread along the Black Sea Coast of Anatolia in Turkey (Ruttner 1988), where it now occurs concomitantly with *Apis mellifera anatolica*. An intergenic sequence of *A. m. caucasica* was described by several authors (Garnery et al. 1992; Smith 1988), and *A. m. caucasica* bees from Turkey have the highest sequence matches (98–100 %) in locations near Georgia (Palmer et al. 2000).

Commercial beekeeping and the distribution of the valued subspecies *A. m. carnica* and *Apis mellifera ligustica* considerably changed the

native distribution area of autochthonous subspecies in Europe. In consequence, currently managed populations of European honeybees possess higher genetic similarity to wild African populations (Moritz et al. 2007). On the other hand, losses of genetic diversity due to genetic drift and inbreeding are usually found in small isolated populations, and such losses could increase the risk of extinction by reducing the evolutionary potential to cope with environmental change (Ellstrand and Elam 1993; Frankham 2005).

Conservation genetics studies of bees are particularly important because many bee species are in decline. While beekeepers from Slovenia, Croatia and Serbia take care in maintaining indigenous non-hybridized *A. m. carnica* populations (Sušnik et al. 2004), conservation areas for *A. m. mellifera* and *A. m. carnica* not always protect the traits of bees indigenous to their area. In Switzerland, special efforts were focused on breeding pure *A. m. mellifera* and *A. m. carnica* so as to test the level of introgression among populations (Soland-Reckeweg et al. 2008; Solignac et al. 2003). *A. m. mellifera*, found in Eastern European countries, including Poland and Belarus close to the southwest of Lithuania's borders (Meixner et al. 2007), was an indigenous population to Lithuania. From 1971 until 1995, this honeybee subspecies was bred in Lithuania in a reservation established in the territory of the Jurbarkas–Taurage forest area (Balzekas 1995). However, due to its high hybridization level and difficult management, the breeding of *Apis mellifera mellifera* L. has been discontinued in Lithuania. Current honeybee breeding activity in Lithuania is now focused solely on Carniolan lines, adapted to the climatic conditions and honey flow, and on selection of valuable traits.

Genetic markers defining honeybee lines and subspecies are important tools. For instance, the analysis of mtDNA has become a widely used approach in studying the biogeography according to maternal lineages of honeybees (Garnery et al. 1995). Specific genetic techniques are also used to assess differences among individuals and populations. The relationships between

population size, loss of genetic diversity and inbreeding in closed random mating populations were also mathematically described by Frankham (2005).

Herein, we used inter-simple sequence repeat (ISSR) markers to reveal genetic variability of *A. m. carnica* (Carniolan) lines bred in Lithuania, so as to evaluate their genetic relationship and compare them with other subspecies. As ISSR marker analysis has previously been used in combination with restriction enzyme digestion (ISSR-RFLP) to investigate DNA variation in bees (Sylvester 2003).

2. MATERIALS AND METHODS

2.1. Characterization of honeybee samples

Samples of Caucasian (*A. m. caucasica*) and Carniolan (*A. m. carnica*) bee subspecies and lines for genetic tests were collected from the breeding colonies kept in the apiary of the Institute of Agriculture, Lithuanian Research Centre for Agriculture and Forestry (Institute of Agriculture, LRCAF). The breeding of *A. m. caucasica* bee queens was started at the Institute of Agriculture, LRCAF, from stocks imported from the Russian Institute of Apiculture's bee queen breeding apiary situated in Krasnodar Region, Krasnaja Poliana. The lines Ct₁₉ and C₂₆₂ of *A. m. carnica* subspecies were developed at the Institute of Agriculture, LRCAF, from the *A. m. carnica* lines Singer and Troicek-Singer, imported from Austria in 1998. These lines, C₂₆₂ and Ct₁₉, are characterised by high honey production, pollen collection and a low swarming rate. *A. m. carnica* queens of the Vigor line (C Vigor) were brought to

the Institute of Agriculture's LRCAF breeding apiary in 2003 from the Czech Institute of Apiculture based in Dole. The bees of this line are resistant to diseases, especially to chalk brood, not prone to excess swarming and noted for high honey production. Queens of the pure *A. m. carnica* line Ct₁₉ were crossed with Vigor drones. The obtained crosses are marked as Ct₁₉ × Vigor. *A. m. carnica* queens were obtained from Slovenia in 2004; subsequently, they are referred to as C_{SLOV}. They are distinguished by very high honey production and good nest cleaning skills; however, they show a high swarming tendency. Buckfast bees were obtained from a local beekeeper, for genetic studies only.

2.2. DNA isolation, PCR conditions and electrophoresis

The bee subspecies and lines were represented by 10–12 individuals in the ISSR assays. The bees were placed in 2-mL Eppendorf test tubes and frozen at –20°C. DNA was extracted following the CTAB-based extraction protocol (Doyle and Doyle 1990) using 750 µL of extracting buffer per bee. The DNA concentration was measured spectrophotometrically (Eppendorf BioPhotometer).

Four selected ISSR primers (Metabion, Germany) were used to generate ISSRs: two were of trinucleotide repeats and the other two tetranucleotide repeats (Table I).

The polymerase chain reaction (PCR) assay mixtures (25 µL total volume) consisted of 1 µL (50 ng) of genomic DNA, 2.5 µL of 10× DyNAzyme reaction buffer (Finnzymes, Finland), 0.9 µL of MgCl₂ (1.8 mM), 2 µL of dNTP (0.2 mM), 2.5 µL of each primer (0.25 µM) and 0.35 µL (1.5 units) of

Table I. Characteristics of ISSR primers used for amplification (total, $n=75$ bees).

ISSR primer	Sequence	Annealing temp. (°C)	Mean number of amplified fragments	Fragment size range (bp)
GO3	(TCC) ₅ GT	52	10	500–1,300
GO8	(ATG) ₅ GA	52	5	350–1,400
77 H	(AGAC) ₄ GC	50	7	750–3,000
104 H	(GACA) ₄ GT	50	6	700–2,000

DyNAzyme™ II DNA polymerase (Finnzymes, Finland). Distilled water was added to complete the volume. Twenty-four microlitres of this reaction mixture was added to each sample.

Amplification reactions were performed in an Eppendorf Thermal Cycler (Eppendorf, Germany) under the following conditions: initial denaturation of DNA at 95°C for 2 min, followed by 40 cycles consisting of 95°C for 30 s, annealing at 45 or 50°C for 1 min depending on the T_m value of the primer pair, 72°C for 30 s and a final elongation step at 72°C for 6 min.

The amplification products were separated by gel electrophoresis on 1.5 % agarose gel in 1× TAE buffer and stained with 0.025 % ethidium bromide. GeneRuler™ DNA Ladder Mix (Fermentas) was used as DNA fragment size marker. Reproducibility of the DNA profiles was tested by repeating the PCR amplifications two to three times with each of the respective primers. Electrophoresis was run at 100 V for 2.5 h. Only the robust and repeatable bands were considered in this study. After electrophoresis, the ISSR patterns of the PCR products were visualized under UV light using a gel documentation system (Bio-Imaging Systems Mini BIS Pro, Israel).

2.3. Statistical analysis

The PCR-generated band profiles were scored as presence (1) or absence (0), and obtained data were compiled into a binary matrix. Polymorphism levels (percentage of polymorphic loci—PPL) were expressed as the percentage of the number of polymorphic loci—NPL—against all loci analysed. The data matrix was computed with PopGene 3.2 program to produce genetic distance matrix using the formula of Nei (1978). Genetic relationships among populations were visualized in a dendrogram constructed by unweighted paired group cluster analysis (UPGMA), from a modified NEIGHBOR procedure implemented in PHYLIP and using POPGENE version 3.5 software (dendrogram based on Nei 1978). Computed statistics data of genetic variation for all loci are: observed number of alleles per locus (N_a), effective number of alleles (N_e), (Kimura and Crow 1964), Shannon information index (I) (Lewontin 1972), gene diversity (H) (Nei 1973) and PPL. By means of the PopGene program, we calculated total genetic

diversity (H_t), genetic diversity within population (H_s) and the proportion of total genetic diversity partitioned among population G_{ST} (Nei 1987). The estimate of gene flow from G_{ST} was calculated as $Nm=0.5(1-G_{ST})/G_{ST}$ (McDermott and McDonald 1993).

Phylogenetic relationships among bee lines and species were analysed based on the neighbour joining method using the TREECON phylogenetic program (Van de Peer and Wachter 1997). We analysed and computed 500 genetic distance data matrices according to the mathematical model by Nei and Li (1979).

3. RESULTS

3.1. Characterization of DNA fragments generated in polymerase chain reactions

DNA fragments were amplified with the selected primers listed in Table 1. A mean of 28 amplified fragments were scored in the DNA fingerprint profiles representing the two tri- and tetranucleotide motifs. The size of the generated fragments ranged between 350 and 3,000 bp. Twenty five (89.29 %) of the amplified products were polymorphic. The highest number of fragments in the range 500–1,300 bp was produced with primer (TCC)₅GT. The *A. m. caucasica* subspecies was distinguished from the others by a 350-bp polymorphic fragment, which was amplified with the primer (ATG)₅GA in 90 % of the tested individuals (Figure 1). However, this fragment was not present in the profiles of *A. m. carnica* and Buckfast bees. The polymorphic 800-bp fragment, specific for *A. m. caucasica*, was amplified with the primer (TCC)₅GT (Figure 2). No such fragment was obtained in Carniolan bees, but shared in 40 % of the Buckfast individuals. PCR assays with the primer (AGAC)₄GC generated only monomorphic fragments. *A. m. caucasica* had four non-polymorphic fragments. The DNA fragments amplified with primer (GACA)₄GT produced four to six fragments in a narrower range, from 700 to 2,000 bp compared to the ones produced in the assays with the (AGAC)₄GC primer. The primer (GACA)₄GT generated fragments of 700 and 1,900 bp, and these were shared by all individuals.

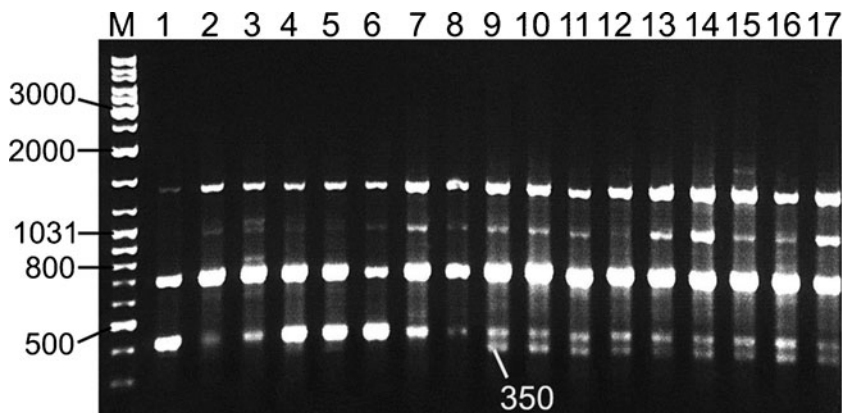


Figure 1. PCR products of bee DNA profiles amplified with the primer (ATG)₅GA: a) 1–7 *A. m. carnica* C₂₆₂; 8–14 *A. m. caucasica*; M DNA molecular size marker.

3.2. Genetic diversity in the populations of *A. m. carnica* *A. m. caucasica* and Buckfast hybrid bees

Bee line Ct₁₉ × Vigor had the lowest percentage of polymorphic loci (28.57 %), with an effective allele number of 1.122, a Nei's gene diversity of 0.078 and a Shannon's information index of 0.124 (Table II). Analyses done with *A. m. caucasica* evidenced the same percentage of polymorphic loci (28.57 %) as Ct₁₉ × Vigor. However, the effective number of alleles, Nei's gene diversity and Shannon's information index were higher for *A. m. caucasica*, viz. 1.218, 0.120, 0.173, respective-

ly. The levels of polymorphism of *A. m. carnica* Ct₁₉ and C₂₆₂ were higher compared to the other bee lines and subspecies (46.43 %) tested. The two lines differed in effective number of alleles, Nei's gene diversity and Shannon's information index which were higher for line Ct₁₉, amounting to 1.289, 0.167, 0.248, respectively. Nei's gene diversity and Shannon's information index for Buckfast bees were higher than for *A. m. caucasica* and all lines of Carniolan except for Ct₁₉. The mean value of gene flow (Nm) among populations was 0.6844, and for 50.0 % of the alleles, it varied at a high range (1.044–11.261).

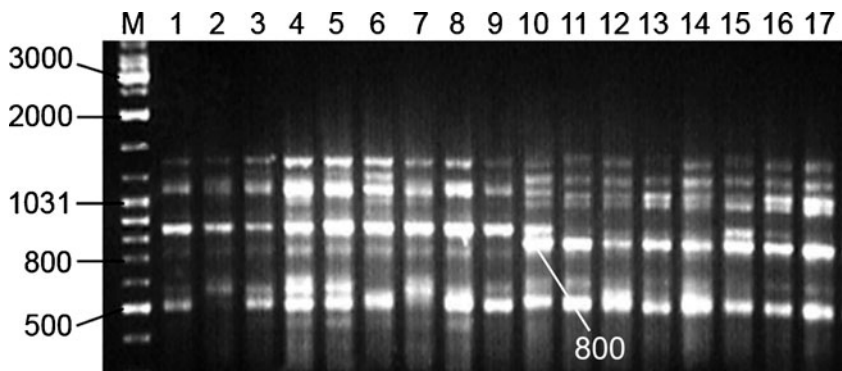


Figure 2. PCR products of bee DNA profiles amplified with the primer (TCC)₅GT—1–9 *A. m. carnica* C₂₆₂; 10–17 *A. m. caucasica*.

Table II. Genetic variation in bee lines developed in Lithuania compared to introduced subspecies and hybrids ($n=11$ bees per sample).

Bee lines and subspecies	NPL	PPL	Na	Ne	<i>H</i>	<i>I</i>
C ₂₆₂	13	46.43	1.464±0.508	1.215±0.345	0.127±0.182	0.198±0.260
<i>A. m. caucasica</i>	8	28.57	1.286±0.460	1.218±0.375	0.120±0.200	0.173±0.285
C Vigor	11	39.29	1.393±0.497	1.229±0.356	0.132±0.195	0.197±0.280
C _{SLOV}	10	35.71	1.357±0.488	1.209±0.338	0.123±0.186	0.185±0.269
Ct ₁₉	13	46.43	1.464±0.508	1.289±0.375	0.167±0.204	0.248±0.293
Ct ₁₉ × Vigor	8	28.57	1.286±0.460	1.122±0.248	0.078±0.144	0.124±0.217
Buckfast	12	42.86	1.429±0.504	1.254±0.353	0.150±0.194	0.226±0.282
Mean	10.7	38.27±2.89	1.380±0.030	1.220±0.020	0.130±0.010	0.190±0.010

NPL number of polymorphic loci, PPL percentage of polymorphic loci, Na observed number of alleles per locus, Ne effective number of alleles, *I* Shannon information index, *H* gene diversity

3.3. Genetic structure within bee subspecies and lines

The mean coefficient of gene differentiation G_{ST} calculated from the 75 individuals was 0.422, with a range from 0.0425 to 0.8845, showing that differentiation among populations was generally low to moderate. The highest G_{ST} values of 0.827 and 0.8845 were obtained only in two cases. Mean gene diversity (H_t) and gene diversity within populations (H_s) were 0.222 and 0.422, respectively.

The genetic distance was calculated from 28 amplified bands. For each sample, ISSR bands were scored as 1 (present) or 0 (absent), and these binary data were entered into a rectangular matrix. *A. m. carnica* line C Vigor was identical to C_{SLOV} and Ct₁₉ in terms of genetic identity, which was highest (0.9632) between C Vigor and C_{SLOV}, and slightly lower between C Vigor and Ct₁₉ 0.9543. Nei's genetic distance value was highest between pairs of Buckfast with C₂₆₂ and *A. m. caucasica* with C₂₆₂, being 0.1986 and 0.1910, respectively (Table III). The lowest genetic distance of 0.0375 was found between C_{SLOV} and C Vigor. Use of the UPGMA algorithm permitted clustering the data and inferring a relationship among bee lines and species tested (Figure 3). The dendrogram shown in Figure 3 represents the genetic divergence of the *A. m. caucasica* subspecies

and Buckfast hybrids from the Carniolan lines tested. The various *A. m. carnica* lines were grouped in two sub-clusters. The first one consisted of the Carniolan bee line C₂₆₂. The separate clustering of line C₂₆₂ from the other *A. m. carnica* lines indicated their within population genetic diversity. The second subcluster was composed of two introduced Carniolan bee lines, C Vigor and C_{SLOV} and Ct₁₉, both developed in Lithuania. The cluster shows a close similarity between the two breeding lines C Vigor and C_{SLOV}. Buckfast hybrids were in the subcluster with the cross of Ct₁₉ × C Vigor. The Carniolan bee lines C Vigor and C_{SLOV}, as well as Buckfast hybrids and Ct₁₉ × C Vigor, were shown to be genetically closest. *A. m. caucasica* was clearly separated from the Buckfast and Carniolan bee lines, confirming the genetic differences.

3.4. Phylogenetic analysis

A bootstrap analysis was performed to assess significant genetic differences between the tested bee lines and subspecies obtained from the ISSR data (Figure 4). The values shown on the branches indicate significant differences (higher than 50.0 %) among bee lines and subspecies. The highest significant bootstrap value was between *A. m. caucasica* species and Buckfast hybrids, the lowest value between

Table III. Genetic identity (above diagonal) and genetic distance (below diagonal) of investigated bee subspecies and lines, calculated according to Nei (1978) implemented in PopGene of PHYLIP Version 3.5 ($n=11$ bees per sample).

Bee lines and subspecies	C ₂₆₂	<i>A. m. caucasica</i>	C Vigor	C _{SLOV}	Ct ₁₉	Ct ₁₉ × Vigor	Buckfast
C ₂₆₂	1.0000	0.8261	0.8979	0.9080	0.9319	0.8647	0.8199
<i>A. m. caucasica</i>	0.1910	1.0000	0.8484	0.8098	0.8446	0.8095	0.8681
C Vigor	0.1077	0.1644	1.0000	0.9632	0.9543	0.8988	0.8454
C _{SLOV}	0.0965	0.2109	0.0375	1.0000	0.9416	0.9127	0.8563
Ct ₁₉	0.0705	0.1689	0.0468	0.0602	1.0000	0.9063	0.8658
Ct ₁₉ × Vigor	0.1454	0.2113	0.1067	0.0913	0.0984	1.0000	0.9348
Buckfast	0.1986	0.1414	0.1679	0.1551	0.1441	0.0674	1.0000

Bold 1.000 indicates the relationship between the two identical individuals, and this value separates the table of the diagonal into two parts

C_{SLOV} and C Vigor. The bootstrap value also showed that Ct₁₉ significantly differed from all Carniolan lines, as well as *A. m. caucasica* and Buckfast hybrids.

4. DISCUSSION

Mitochondrial DNA (mtDNA) has frequently been used to group bees within the previously classified evolutionary lineages (Ruttner et al. 1978; Ruttner 1988). The mitochondrial genome of *A. m. ligustica* was sequenced in 1993 (Crozier and Crozier 1993), showing a total length of 16,343 bp. The intergenic region of the mtDNA COI-COII genes with tRNE^{leu} and non-coding sequence with two elements P and

Q is polymorphic revealing the lineages from which bees are derived (Garnery et al. 1992; Nikonorov et al. 1998). These findings had applications in the identification of bees of European and African origin according to maternal lineages and allowed detection of the level of population hybridization and gene flow within population (Hall and Muralidharan 1989).

In contrast, microsatellite markers are used to evaluate introgressive hybridization through mating between drones and queens (De la Rúa et al. 2009). Microsatellites occur everywhere in the genome (both in nuclear and organellar DNA) and are found in all known living organisms. Microsatellites are short, 2- to 6-bp-long tandem repeats, dispersed throughout the nuclear genome (Sheppard and Smith 2000).

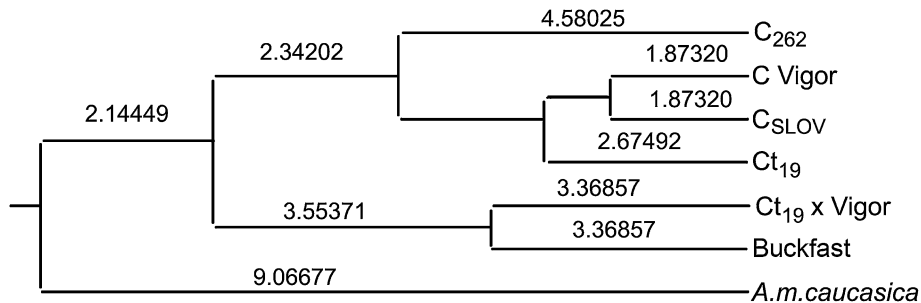


Figure 3. Genetic distance between bee lines and species. Dendrogram based on Nei's (1978) genetic distance (PopGene program UPGMA PHYLIP Version 3.5, modified NEIGHBOR method).

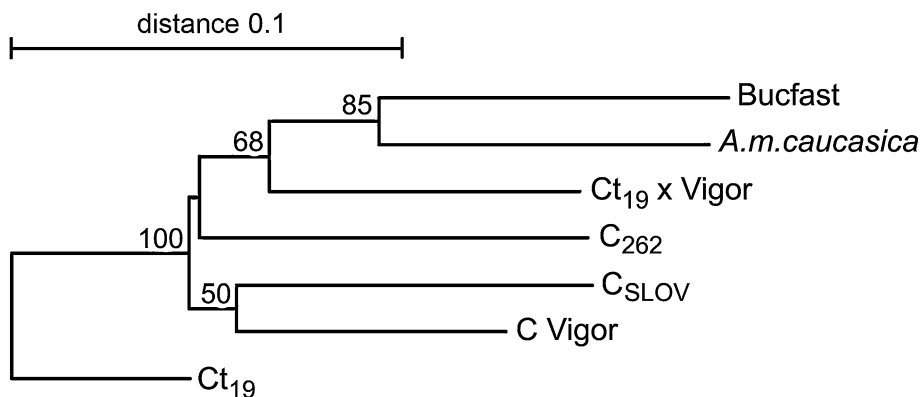


Figure 4. Phylogenetic relationships among *A. m. caucasica*, Bucfast and Carniolan honeybee populations based on the neighbour joining method. The tree was constructed with the TREECON phylogenetic program (Van de Peer and Wachter 1997). The genetic distance data matrix was calculated using the formula of Nei and Li (1979).

In collaborative investigations, 552 microsatellites were sequenced, and many of them were amplified in other *Apis* species, viz.: *Apis cerana* (58 %), *Apis dorsata* (59 %) and *Apis florea* (38 %). The variability of 36 loci in the three main evolutionary lineages of *A. mellifera* was also evaluated (Solignac et al. 2003). Microsatellites are abundant in the genome of the honeybee and have been used to create a linkage map of *A. mellifera* L. (Solignac et al. 2004). Microsatellite markers have long been used for genetic analyses of bees (Estoup et al. 1993; 1995; Oldroyd et al. 1994). The *Apis* genome carries more than 60 % of the total microsatellites in coding region; 50 % tri- and 25 % dinucleotide repeats are present in exonic regions (Archak et al. 2007).

Variation in repeat numbers, an important characteristic of microsatellites, has been exploited extensively as genetic markers, and most of the microsatellite databases offer specific marker information of microsatellite loci. The application of microsatellite markers is furthermore helpful for examining population density and decline (Paini 2004), conservation genetics, (Haig 1998; Solignac et al. 2003), introduction of foreign subspecies (Bodur et al. 2007), as well as for revealing relationships among individuals, population genetic structure analysis (Shaibi et al. 2008).

The first application of ISSR markers was carried out in 1994 (Zietkiewicz et al. 1994) for a plant genetics study, and they are now extensively used for the evaluation of plant hybridization, diploid hybrid speciation and cultivar identification (Paplauskiene et al. 2007; Pivoriene and Pasakinskiene 2008). ISSRs are a 100- to 3,000-bp genomic region between two identical inverted microsatellite loci (Gupta et al. 1994). Amplification products of such regions are obtained with single primers 16–18 bp in length, having 3'-anchoring or 5'-anchoring nucleotides or are non-anchored primers. An anchored primer typically has two to four anchoring nucleotides. Appropriate genomic templates for PCR amplification are situated between inversely oriented microsatellites (Bornet et al. 2002). While initially developed to study plant cultivars, ISSR markers have also been successfully adapted for use in genetic studies of insects, e.g. Diptera (Culicidae, Tachinidae), Lepidoptera, Hemiptera and Hymenoptera, all revealing differences among species (Awasthi et al. 2004; Korbin et al. 2002; Martins-Lopes et al. 2007). The genetic diversity between and within species of blackflies was revealed with the ISSR markers (Dušinsky et al. 2006), and inter-specific genetic variation was found in five species of bumblebee (Berezovskaja et al. 2002). Notwith-

standing, ISSR markers are still rarely applied in bee genetic studies.

Herein, we used ISSR markers to determine similarities and differences within the bee lines and subspecies in Lithuania, providing information on genetic identity and gene flow among lines and subspecies. While breeders of honeybee queens are generally not in a position to estimate the impact of the gene pool of different bee lines and subspecies based only on assessment of external morphology, our study could elucidate the relationships among the Ct₁₉ and C₂₆₂ lines, both developed from pure Carniolan bee queens, with Caucasian bees (*A. m. caucasica*), and Buckfast hybrids introduced to Lithuania.

The Carniolan bee line Ct₁₉ showed the highest values in the effective number of alleles, Nei's gene diversity and Shannon's information index compared to C₂₆₂ and Carniolan bees introduced to Lithuania, and to *A. m. caucasica* and Buckfast hybrids. Our findings furthermore suggest that the locally developed Carniolan bee lines Ct₁₉ and C₂₆₂ significantly differ from the introduced lines C Vigor and C_{SLOV}. The Carniolan bee line C₂₆₂ clustered separately in the dendrogram, inferring their genetic diversity. Conversely, the close similarity observed between the two lines C Vigor and C_{SLOV} suggests a possibility to prevent their crossing and inbreeding.

The high rate of gene flow inferred herein within the population of our tested bee lines and subspecies suggests that no appropriate measures were taken to prevent inbreeding. Another factor probably responsible for this fact is that only a small number of pure breeding lines were used. With the development of the Lithuanian bee lines, we expect that this situation can be corrected. Furthermore, we propose that ISSR assaying can be implemented as a powerful tool for the assessment of genetic differences among honeybee species, subspecies and breeding lines.

ACKNOWLEDGMENTS

The authors kindly acknowledge the support of the Lithuanian Ministry of Agriculture provided to this study, as well as those who assisted in this project.

Caractérisation génétique des lignées d'abeilles de Lituanie basée sur le polymorphisme ISSR

Lignées d'abeilles / distance génétique / empreinte génétique

Genetische Charakterisierung von Bienenlinien in Litauen basierend auf IRRS Polymorphismus

Schlüsselwörter: Honigbienen-Linien / DNA Fingerabdrücke / Genetische Distanzen

REFERENCES

- Archak, S., Meduri, E., Sravana Kumar, P., Nagaraju, J. (2007) InSatDb: a microsatellite database of fully sequenced insect genomes. *Nucleic Acids Res.* **35** (Database issue), D36–D39
- Awasthi, A.K., Nagaraja, G.M., Naik, G.V., Kanginakudru, S., Thangavelu, K., Nagaraju, J. (2004) Genetic diversity and relationships in mulberry (genus *Morus*) as revealed by RAPD and ISSR marker assays. *BMC Genet.* **5**, e1
- Balzėkas, J.A. (1995) The preservation of native bees in Lithuania. *Zemdirbyste* **42**, 9–20
- Berezovskaja, P.P., Moroz, O.Iu., Sidorenko, A.P. (2002) Intra- and interspecies differences in the ISSR PCR patterns of bumble bee (Hymenoptera: Bombinae). *Tsitol. Genet.* **36**, 28–35
- Biesmeijer, J.C., Roberts, S.P.M., Reemer, M., Ohlemüller, R., Edwards, M., Peeters, T., Schaffers, A.P., Potts, S.G., Kleukers, R., Thomas, C.D., Settele, J., Kunin, W.E. (2006) Parallel declines in pollinators and insect-pollinated plants in Britain and the Netherlands. *Science* **313**, 351–354
- Bodur, C., Kence, M., Kence, A. (2007) Genetic structure of honeybee, *Apis mellifera* L. (Hymenoptera: Apidae) populations of Turkey inferred from microsatellite analysis. *J. Apic. Res.* **46**, 50–56
- Bornet, B., Muller, C., Paulus, F., Branchard, M. (2002) Highly informative nature of inter simple sequence repeat (ISSR) sequences amplified using tri- and tetra-nucleotide primers from DNA of cauliflower (*Brassica oleracea* var *botrytis* L.). *Genome* **45**, 890–896
- Büchler, R., Berg, S., Conte, Y. (2010) Breeding for resistance to *Varroa destructor* in Europe. *Apidologie* **41**, 393–408
- Crozier, R.H., Crozier, Y.C. (1993) The mitochondrial genome of the honey bee *Apis mellifera*, complete sequence and genome organization. *Genetics* **133**, 97–117
- De la Rúa, P., Jaffé, R., Dall'Olio, R., Muñoz, I., Serrano, J. (2009) Biodiversity, conservation and current threats to European honeybees. *Apidologie* **40**, 263–284

- Doyle, J.J., Doyle, J.L. (1990) Isolation of plant DNA from fresh tissue. *Focus* **12**, 13–15
- Dušinsky, R., Kudela, M., Stloukalova, V., Jedlička, L. (2006) Use of inter-simple sequence repeat (ISSR) markers for discrimination between and within species of blackflies (Diptera: Simuliidae). *Biologia* **61**, 299–304
- Ellstrand, N.C., Elam, D.R. (1993) Population genetic consequences of small population size: implications for plant conservation. *Annu. Rev. Ecol. Syst.* **24**, 217–242
- Estoup, A., Solignac, M., Harry, M., Cornuet, J.M. (1993) Characterization of (GT)_n and (CT)_n microsatellites in two insect species: *Apis mellifera* and *Bombus terrestris*. *Nucleic Acids Res.* **21**(6), 1427–1431
- Estoup, A., Garnery, L., Solignac, M., Cornuet, J.M. (1995) Microsatellite variation in honey bee (*Apis mellifera* L.) populations: hierarchical genetic structure and test of the infinite allele and stepwise mutation models. *Genetics* **140**, 679–695
- Frankham, R. (2005) Genetics and extinction. *Biol. Conserv.* **126**, 131–140
- Garnery, L., Cornuet, J.-M., Solignac, M. (1992) Evolutionary history of the honey bee *Apis mellifera* inferred from mitochondrial DNA analysis. *Mol. Ecol.* **1**, 145–154
- Garnery, L., Mosshine, E.H., Oldroyd, B.P., Cornuet, J.M. (1995) Mitochondrial DNA variation in Moroccan and Spanish honey bee populations. *Mol. Ecol.* **4**(4), 465–472
- Genersch, E., Ohe, W., Kaatz, H., Schroeder, A., Otten, Ch, Büchler, R., Berg, S., Ritter, W., Mühlen, W., Gisder, S., Meixner, M., Liebig, G., Rosenkranz, P. (2010) The German bee monitoring project: a long term study to understand periodically high winter losses of honey bee colonies. *Apidologie* **41**, 332–352
- Gupta, M., Chyi, Y.-S., Romero-Severson, J., Owen, J.L. (1994) Amplification of DNA markers from evolutionarily diverse genomes using single primers of simple-sequence repeats. *Theor. Appl. Genet.* **89**(7–8), 998–1006
- Haig, S.M. (1998) Molecular contributions to conservation. *Ecology* **79**, 413–425
- Hall, H.G., Muralidharan, K. (1989) Evidence from mitochondrial DNA that African honey bees spread as continuous maternal lineages. *Nature* **339**, 211–213
- Kimura, M., Crow, J.F. (1964) The number of alleles that can be maintained in a finite population. *Genetics* **49**, 725–738
- Korbin, M., Kuras, A., Zurawicz, E. (2002) Fruit plant germplasm characterisation using molecular markers generated in RAPD and ISSR-PCR. *Cell. Mol. Biol. Lett.* **7**, 785–794
- Lewontin, R.C. (1972) The apportionment of human diversity. *Evol. Biol.* **6**, 381–398
- Martins-Lopes, P., Lima-Brito, J., Gomes, S., Meirinhos, J., Santos, L., Guedes-Pinto, H. (2007) RAPD and ISSR molecular markers in *Olea europea* L.: genetic variability and molecular cultivar identification genetic. *Genet. Resour. Crop Evol.* **54**, 117–128
- McDermott, J.M., McDonald, B.A. (1993) Gene flow in plant pathosystems. *Annu. Rev. Phytopathol.* **31**, 353–373
- Meixner, M.D., Sheppard, W.S., Poklukar, J. (1993) Asymmetrical distribution of mitochondrial DNA polymorphism between 2 introgressing honey bee subspecies. *Apidologie* **24**, 147–153
- Meixner, M.D., Worobik, M., Wilde, J., Fuchs, S., Koeniger, N. (2007) *Apis mellifera mellifera* in eastern Europe-morphometric variation and determination of its range limits. *Apidologie* **38**, 191–197
- Meixner, M.D., Costa, C., Kryger, P., Hatjina, F., Bouga, M., Ivanova, E., Büchler, R. (2010) Conserving diversity and vitality for honey bee breeding. *J. Apic. Res.* **49**, 85–92
- Moritz, R.F., Kraus, F.B., Kryger, P., Crewe, R.M. (2007) The size of wild honeybee populations (*Apis mellifera*) and its implications for the conservation of honeybees. *J. Insect Conserv.* **1**, 391–397
- Nei, M. (1973) Analysis of gene diversity in subdivided population. *Proc. Natl. Acad. Sci. U.S.A.* **70**, 3321–3323
- Nei, M. (1978) Estimation of average heterozygosity and genetic distance from a small number of individuals. *Genetics* **89**, 583–590
- Nei, M. (1987) Molecular evolutionary genetics. Columbia University Press, New York
- Nei, M., Li, W.H. (1979) Mathematical model for studying genetic variation in terms of restriction endonucleases. *Proc. Natl. Acad. Sci. U.S.A.* **76**, 5269–5273
- Nikonorov, Yu.M., Ben'kovskaya, G.V., Poskryakov, A.V., Nikolenko, A.G., Vakhitov, V.A. (1998) The use of the PCR technique for control of the pure-breeding of honeybee (*Apis mellifera mellifera* L.) colonies from the southern Urals. *Genetika* **34**, 1574–1577
- Oldroyd, B.P., Smolenski, A.J., Cornuet, J.-M., Crozier, R.H. (1994) Anarchy in the beehive. *Nature* **371**, 749
- Paini, D.R. (2004) Impact of the introduced honey bee (*Apis mellifera*) (Hymenoptera: Apidae) on native bees: A review. *Austral Ecol.* **29**, 399–407
- Palmer, M.R., Smith, D.R., Kaftanoglu, O. (2000) Turkish honey bees: genetic variation and evidence for a fourth lineage of *Apis mellifera* mtDNA. *J. Hered.* **91**, 42–46
- Paplauskienė, V., Dabkevičienė, G., Pasakinskiene, I. (2007) Molecular characterization of interspecific clover hybrids using ISSR markers. *Zemdirbyste* **94**, 111–119
- Pivoriene, O., Pasakinskiene, I. (2008) Genetic diversity assessment in perennial ryegrass and *Festulolium* by ISSR fingerprinting. *Zemdirbyste* **95**, 125–133

- Ruttner, F. (1988) Biogeography and Taxonomy of Honeybees. Springer, Berlin Heidelberg
- Ruttner, F., Tassencourt, L., Louveaux, J. (1978) Biometrical-statistical analysis of the geographic variability of *Apis mellifera* L. *Apidologie* **9**, 363–381
- Shaibi, T., Lattorff, H.M.G., Moritz, R.F.A. (2008) A microsatellite DNA toolkit for studying population structure in *Apis mellifera*. *Mol. Ecol. Resour.* **8**, 1034–1036
- Sheppard, W.S., Smith, D.R. (2000) Identification of African-derived bees in the Americas: a survey of methods. *Ann. Entomol. Soc. Am.* **93**(2), 159–176
- Smith, D.R. (1988) Mitochondrial DNA polymorphism in five Old World subspecies of honey bees and in New World hybrids. In: Needham, G.R., Page Jr., R.E., Delfinado-Baker, M., Bowman, C.E. (eds.) Africanized honey bees and bee mites, pp. 303–312. Ellis Horwood, Chichester
- Soland-Reckeweg, G., Heckel, G., Neumann, P., Fluri, P., Excoffier, L. (2008) Gene flow in admixed populations and implications for the conservation of the Western honeybee, *Apis mellifera*. *J. Insect Conserv.* **13**(3), 317–328
- Solignac, M., Vautrin, D., Loiseau, A., Mougel, F., Baudry, E., Estoup, A., Gamery, L., Haberl, M., Cornuet, J.-M. (2003) Five hundred and fifty microsatellite markers for the study of the honeybee (*Apis mellifera* L.) genome. *Mol. Ecol. Notes* **3**, 307–311
- Solignac, M., Vautrin, D., Baudry, E., Mougel, F., Loiseau, A., Cornuet, J.-M. (2004) A microsatellite-based linkage map of the honeybee, *Apis mellifera* L. *Genetics* **167**, 253–262
- Sušnik, S., Kozmus, P., Poklucar, J., Meglic, V. (2004) Molecular characterisation of indigenous *Apis mellifera carnica* in Slovenia. *Apidologie* **35**, 623–636
- Sylvester, H. (2003) Inter-simple sequence repeat-restriction fragment length polymorphism for DNA fingerprinting. *Biotechniques* **34**(5), 942–944
- Tarpy, D.R., Seeley, T.D. (2006) Lower disease infections in honeybee (*Apis mellifera*) colonies headed by polyandrous vs monandrous queens. *Naturwissenschaften* **93**, 195–199
- Van de Peer, Y., Wachter, D. (1997) Construction of evolutionary distance trees with TREECON for Windows: accounting for variation in nucleotide substitution rate among sites. *Comput. Appl. Biosci.* **13**, 227–230
- Zietkiewicz, E., Rafalski, A., Labuda, D. (1994) Genome fingerprinting by simple sequence repeat (SSR)-anchored polymerase chain reaction amplification. *Genomics* **20**, 176–183