



HAL
open science

Maternal Effects Underlie Ageing Costs of Growth in the Zebra Finch (*Taeniopygia guttata*).

Mathilde L Tissier, Tony D Williams, François Criscuolo

► **To cite this version:**

Mathilde L Tissier, Tony D Williams, François Criscuolo. Maternal Effects Underlie Ageing Costs of Growth in the Zebra Finch (*Taeniopygia guttata*).. PLoS ONE, 2014, 9 (5), pp.e97705. 10.1371/journal.pone.0097705 . hal-00994496

HAL Id: hal-00994496

<https://hal.science/hal-00994496>

Submitted on 21 May 2014

HAL is a multi-disciplinary open access archive for the deposit and dissemination of scientific research documents, whether they are published or not. The documents may come from teaching and research institutions in France or abroad, or from public or private research centers.

L'archive ouverte pluridisciplinaire **HAL**, est destinée au dépôt et à la diffusion de documents scientifiques de niveau recherche, publiés ou non, émanant des établissements d'enseignement et de recherche français ou étrangers, des laboratoires publics ou privés.



Maternal Effects Underlie Ageing Costs of Growth in the Zebra Finch (*Taeniopygia guttata*)

Mathilde L. Tissier^{1*}, Tony D. Williams^{1,2}, François Criscuolo^{1,1*}

1 Département Ecologie, Physiologie et Ethologie, Institut Pluridisciplinaire Hubert Curien, Centre National de la Recherche Scientifique-Université de Strasbourg, Strasbourg, France, **2** Department of Biological Sciences, Simon Fraser University, Burnaby, British Columbia, Canada

Abstract

Maternal effects provide a mechanism to adapt offspring phenotype and optimize the mother's fitness to current environmental conditions. Transferring steroids to the yolk is one way mothers can translate environmental information into potential adaptive signals for offspring. However, maternally-derived hormones might also have adverse effects for offspring. For example, recent data in zebra finch chicks suggested that ageing related-processes (*i.e.* oxidative stress and telomere loss) were increased after egg-injection of corticosterone (CORT). Still, we have few experimental data describing the effect of maternal effects on the growth-ageing trade-off in offspring. Here, we chronically treated pre-laying zebra finch females (*Taeniopygia guttata*) with 17- β -estradiol (E₂) or CORT, and followed offspring growth and cellular ageing rates (oxidative stress and telomere loss). CORT treatment decreased growth rate in male chicks and increased rate of telomere loss in mothers and female offspring. E₂ increased body mass gain in male offspring, while reducing oxidative stress in both sexes but without affecting telomere loss. Since shorter telomeres were previously found to be a proxy of individual lifespan in zebra finches, maternal effects may, through pleiotropic effects, be important determinants of offspring life-expectancy by modulating ageing rate during embryo and post-natal growth.

Citation: Tissier ML, Williams TD, Criscuolo F (2014) Maternal Effects Underlie Ageing Costs of Growth in the Zebra Finch (*Taeniopygia guttata*). PLoS ONE 9(5): e97705. doi:10.1371/journal.pone.0097705

Editor: Stephanie Ann White, UCLA, United States of America

Received: January 9, 2014; **Accepted:** April 23, 2014; **Published:** May 14, 2014

Copyright: © 2014 Tissier et al. This is an open-access article distributed under the terms of the Creative Commons Attribution License, which permits unrestricted use, distribution, and reproduction in any medium, provided the original author and source are credited.

Funding: This work was supported by Natural Sciences and Engineering Research Council Discovery Grant funding to TDW. M. Tissier and the present experiment were both partly funded by the Centre National de la Recherche Scientifique (CNRS). The funders had no role in study design, data collection and analysis, decision to publish, or preparation of the manuscript.

Competing Interests: The authors have declared that no competing interests exist.

* E-mail: mathilde.tissier@iphc.cnrs.fr (MLT); francois.criscuolo@iphc.cnrs.fr (FC)

¶ TDW and FC are joint senior authors on this work

Introduction

Embryonic and post-natal growth are key phases of the life-cycle, affecting final body size in all organisms and can affect subsequent fitness, *e.g.* through effects on size-dependent fecundity, or reproductive success [1,2]. Since growth is energetically costly (requiring abundant resources or/and parental care), it is clear that “external” constraints can limit growth [3]. Parental care, predation, social environment, brood size, within-brood size hierarchies, or parasitism can interact and modulate offspring growth [4,5,6]. However, “internal” constraints can also limit growth due to the cost of growth itself associated with cell proliferation, cell differentiation and cell growth. Numerous studies looking for a proximate explanation of the decreased lifespan of fast-growing individuals have focused on physiological costs of high growth rates. These studies reveal that accelerated ageing processes can be an internal constraint on fast growth and this might be mediated through a decreased resistance to oxidative stress [7,8,9,10]. Oxidative stress is defined as an imbalance between the production of reactive oxygen species (ROS) and anti-oxidant defenses causing cellular or physiological damage to lipids, proteins or DNA but also including telomere loss [11,12]. Telomeres are the ends of eukaryotic chromosomes, formed by repeated sequences of non-coding DNA – (TTAGGG)_n in vertebrates, protecting the coding part of the chromosome during DNA replication. The role of telomeres in cell senescence and

apoptosis is now well established: short and dysfunctional telomeres trigger an emergency cell signaling cascade [13]. Telomeres have more recently been considered at the ‘organismal’ level, first in humans [14] and in free-living animals, where survival rate and lifespan are associated with the longest telomeres and/or the shortest rate of telomere loss in birds [15,16,17,18]. Heidinger *et al.* [18] have highlighted the importance of telomere dynamics during pre- and post-natal growth in terms of future fitness by showing: a) that telomere length and telomere loss in early life can predict the lifespan of individuals in zebra finches (*Taeniopygia guttata*), and b) that relative telomere length at the end of the chick growth phase is preserved throughout adulthood.

Mothers may affect offspring phenotype by modulating physiological costs of growth, notably through hormonally-mediated maternal effects [19]. Maternal transfer of steroid hormones to egg yolk can have significant effects on offspring phenotype, *e.g.* through the down-regulation of offspring growth following CORT treatment [20,21,22], a hormone which can inhibit immune responses and standard metabolic rate, and decrease survival rate [6,23,24]. Haussmann *et al.* [19] recently showed that embryonic exposure to CORT by egg injection increased oxidative stress and reduced telomere length in domestic chicken (*Gallus domesticus*) chicks when separated from their parents. In contrast, other maternally-derived hormones are known to have a positive impact on ageing mechanisms, *e.g.* E₂

increases telomerase activity in humans, directly activates a promoter of telomerase [25], and down-regulates oxidative stress by protecting neurons during development [26], reducing ROS production and acting as a potent antioxidant [27,28] (but see also [29]).

These studies suggest that maternally-derived hormones might have a significant impact on oxidative stress and telomere loss during embryonic and/or post-natal growth to determine individual telomere length at fledging, a fitness-related trait in captive zebra finches [18]. However, the link between hormones, maternal effects, oxidative stress and telomere dynamics remains largely unknown. Here, we investigated the effects of two maternally-derived hormones – CORT and E₂ – on offspring growth and cellular ageing rates (oxidative stress and telomere loss) during early development (*i.e.* embryonic and post-natal growth) in zebra finches. We injected mothers with CORT or E₂ during egg formation, based on studies showing that an increase in plasma E₂ or CORT is associated with an increase in maternally-derived yolk steroid hormone levels in eggs produced by these females [20,23,30,31]. We looked at the impact of hormonal treatment on the offspring's body mass gain (*i.e.* growth), oxidative stress and telomere dynamics during early development. Due to the potential antagonistic role of these hormones on growth and oxidative stress (see above) we predicted that (1) injections of CORT in mothers would decrease chick growth (body mass gain) and increase oxidative stress and telomere loss during the post-natal growth period, whereas (2) E₂ injections in mothers would increase growth rates and protect individuals from oxidative stress and telomere loss.

Materials and Methods

1) Animal Care and Breeding Protocol

Zebra finches were maintained in controlled environmental conditions (temperature 19–23°C; humidity 35–55%; constant light schedule, 14L: 10 D, lights on at 07.00). Breeding pairs were provided with a mixed seed diet (*Panicum* and white millet, 1:3, 11.7% protein, 0.6% lipid and 84.3% carbohydrate by dry mass), water, grit and cuttlefish bone (calcium) *ad libitum*. Breeding pairs were also given a multivitamin supplement in the drinking water once per week and 6 g/pair per day of egg food (eggs, bread crumbs and cornmeal: 20.3% protein, 6.6% lipid) between pairing and fledging. All birds used in this experiment were of the 'wild type' plumage morph and were aged 6 months or older. Breeding pairs were placed in separate breeding cages (51 cm×39 cm×43 cm) equipped with an external nest box (14 cm×14.5 cm×20 cm) and nesting material. Nest-boxes were checked daily between 09:00 and 12:00 and all new eggs were weighed (to 0.001 g) and numbered. Chicks were raised by their parents until 30 days and then were moved to same-sex cages (46×46×46 cm).

2) Ethics Statement

Experiments and animal rearing were conducted under a Simon Fraser University Animal Care Committee permit (901B-94), in accordance with guidelines from the Canadian Committee on Animal Care (CCAC).

3) Female Injections and Chick Growth

A total of 45 adult females were weighed (to 0.1 g) and blood sampled (~ 80 µL from the brachial vein) at the time of pairing, at clutch completion (defined as 2 days after the last egg was laid [32]), and at chick independence (30 days after hatching). Females were randomly assigned to one of the following treatments:

CORT, E₂ or Control (15 females *per* treatment). CORT and E₂ groups received hormones diluted in canola oil (CORT: 19.2 ng/30 µL of canola oil, E₂:16 µg/30 µL of canola oil) while the Control group received only canola oil. Steroids were first dissolved in isopropanol, re-suspended in canola oil and finally the isopropanol was evaporated off under air before the solution was used for injections. Females received intramuscular injections every day between 10:00 and 11:00 from day 3 after pairing until clutch completion. Doses were chosen based on previous studies [30,33] to increase hormones levels in female's plasma and egg yolks while remaining within physiological levels.

Of the 45 females paired, 30 (9 CORT, 8 Control, 13 E₂) laid eggs within 2 weeks (66%). Based on the normal distribution of timing of initiation of egg-laying, all the females which hadn't laid within 2 weeks were removed from the experiment to avoid a bias in the number of injections per female (which varies from 8 to 15 in total, with 1 injection/day). We found no differences between groups in the number on injections received per female (Control: 9.25±1.25; CORT: 9±1.25; E₂:10.88±0.83; F_{2,14} = 1.062, p = 0.372). Nest boxes were checked twice a day from day 8 after clutch completion until all the eggs hatched. Hatching occurred in 17 of the 30 nests and the 17 "successful" nests were composed of 4 CORT, 9 E₂, and 4 Control nests (with a mean number of eggs/female of 4.11, 4.5 and 4.25 for E₂, CORT and Control females respectively, F_{2,14} = 0.201 and p = 0.820). The mean hatching success of 56.8% (similar to hatching success reported for some other zebra finch colonies [34,35]) resulted in a sample size of 15 CORT, 16 E₂ and 9 Control chicks at hatching and a final sample size of 13 CORT chicks, 8 E₂ chicks and 9 Control chicks at fledging.

Chicks were marked with a non-toxic pen for individual recognition, weighed to the nearest 0.001 g at hatching and were weighed every two days until 30 days of age (*i.e.* at the end of growth). The sex of chicks which died before sexual maturation was determined using the molecular sexing method adapted from Griffiths *et al.* [36]. Briefly, this method is composed of three steps (i) DNA extraction, (ii) polymerase chain reaction (PCR) and (iii) electrophoresis on an agarose gel to determine the sexual chromosomes of the individuals (ZZ in males and ZW in females). We collected blood samples from nestlings (about 30 µL, from the brachial vein) at 10, 20 and 30 days of age for oxidative stress and telomere measurements. Blood samples were kept on ice and centrifuged at 6000 rpm for 10 minutes within an hour of collection. Chick growth rate was estimated by calculating the mean body mass gain per day during the initial phase of rapid growth (0 to 10 days), and then during the subsequent growth period before separation from the parents (10 to 30 days) in order to see whether hormone treatment differentially affected early and late growth. Chicks undergo rapid, almost linear, growth to 10 days of age whereas the growth period from 10 to 30 days is slower, with chicks starting to feed themselves around 20 days of age [37].

4) Telomere Length and Oxidative Stress Assessments

DNA was extracted from 4 µL of red blood cells (nucleated in birds) using DNeasy Blood and Tissue kits (Qiagen, Germany). QIAGEN's protocol for animal blood (Spin-Column protocol) was followed except that we incubated samples at 56°C for 3 hours in a water bath. Telomere measurements were conducted by quantitative real-time amplification (qPCR) of the telomere sequence, following the procedure described by Criscuolo *et al.* [38] specifically modified for zebra finches (from a protocol initially developed for human samples [39]), widely used since 2009 (*e.g.* [16,17]). Telomere length measurement is based on the determi-

nation of a number of amplification cycles necessary to detect a lower threshold of fluorescent signal. Cycle number is proportional to the sample telomere length (T), or to the number of copies of a non-variable copy number gene (or control gene S). A ratio (T / S) is then calculated for each sample that will reflect relative inter and intra-individual differences in telomere length when repeated samples are taken from the same individual. As a control gene, we used GAPDH (coding for the glyceraldehyde 3-phosphate dehydrogenase), amplified by oligonucleotide primers GAPDH-F (5'-AACCAGCCA-AGTACGATGACAT-3') and GAPDH-R (5'-CCA-TCAGCAGCAGCCTTCA-3'). For telomeres amplification, primers used were of the following sequences: Tel1b (5'-CGGTTTGTGTTGGGTTTGGGTTTGGGTTTGGGTTTGGGTT-3') and Tel2b (5'-GGCTTGCCCTACCCTTACCCTTACCCTTACCCTTACCCTTACCCT-3'). Primers – at a concentration of 200 nM/200 nM – were mixed with 5 µL of SYBR Green (a nucleic acid stain), water and 2.5 ng of DNA by well, in a 10 µL final solution. Cycling conditions included an initial hold at 95°C for 2 min for the enzyme activation followed for telomere amplification by 30 cycles of: 1 min denaturation step at 95°C, 30 sec hybridization step at 56°C, and 30 sec elongation step at 72°C including the fluorescence signal readings. A 20 min final melt step was included on each run with the temperature ramping from 56°C to 95°C. The non-VCN gene qPCR conditions were characterized by a 2 min activation step at 95°C followed by 40 cycles of: 1 min 30 sec denaturation step at 95°C, and one step of both hybridization and elongation at 60°C for 1 min, with fluorescence readings recorded at this step. Again, a final melt step ended each run with the temperature ramping from 60°C to 95°C within 20 min. Cycling was performed on a Mastercycler real-time PCR instrument (Eppendorf, Germany). All the samples are run in duplicate and in each run, we included 4 replicates of DNA samples taken from an even number of individuals from each treatment group, as well as a no-template negative control. Mean amplification efficiencies of the qPCR runs were 0.96–0.99 for telomere and between 0.98–1.05 for the non-VCN gene. Intra-plate coefficients of variation (based on Ct values) were low: 0.9% for telomere assay and 0.5% for the non-VCN gene assay. Inter-plate coefficients of variation based on repeated samples were 1.9% for the telomere assay and 0.8% for the non-VCN gene assay (based Ct values). Inter-plate coefficients of variation based on the T/S ratio of repeated samples was 4.1%. The melting curves showed a single peak of amplification for samples and no peak for negative control (water).

Oxidative stress was analyzed in plasma samples by measuring ROMs (reactive oxygen metabolites) and OXY (total antioxidant capacity of the plasma) [40]. We used the d-ROMs test (Diacron International, Grosseto, Italy) and the OXY-ADSORBENT test (Diacron International, Grosseto, Italy), following manufacturer protocols. The d-ROMs test (used on chick's plasma sample at 10 and 30 days of age) measures the concentration of hydroperoxides, reactive oxygen metabolites produced following an attack of ROS on organic substrates [40]. The OXY-ADSORBENT test (used on chick's plasma sample at 10 and 30 days of age) measures total antioxidant capacity of plasma (see [41] for details on the procedures). ROMs (*i.e.* damage) were expected to be higher in chicks from CORT-treated females and lower in chicks from E2-treated females, compared to control chicks. Conversely, we were expecting OXY (*i.e.* defenses) to be higher in chicks from E2-treated females in comparison to controls. ROMs and antioxidant concentrations into plasma were assessed by colorimetry (at 510 nm) and expressed in mg of H₂O₂/dL and µmol of HClO/mL respectively. Intra-plate variation

based on duplicates was below 10% (6.3% and 7.3% for ROMs and OXY respectively) as well as inter-plate variation based on a sample repeated over multiple plates (CV = 5.5% and CV = 6.9% respectively).

5) Statistical Analyses

In all our models, hormone treatment, chick sex and treatment*sex interaction were used as fixed factors, and brood size and hatching rank of chicks were included as covariates. We first checked whether (i) egg mass, (ii) hatching body mass and (iii) chick body masses at 10 and 30 days differed among groups, using Linear mixed models (LMM). In these three models, we included (i) mother's mass, (ii) egg mass and (iii) previous mass as covariates, respectively. Final LMM selection was based on the best AIC (Akaike information criterion) value. Normality was tested by a Kolmogorov-Smirnov test and multiple comparisons were analyzed with a post-hoc LSD (least significant difference) test. All analysis was conducted using SPSS (V.20) and $p < 0.05$ was considered significant.

Then, an independent LMM was used to test whether the changes in body mass during the 30 days of growth differed among hormonal treatments, with the previous mass (*i.e.* the body mass at hatching for the 0 to 10 days period and body mass at 10 days for the 10 to 30 days period) included as a covariate. We controlled for non-independence of individuals in the same nest and the non-independence of repeated measurements on the same individual by including individual identity nested in nest identity as a random effect, time period (0 to 10 days and 0 to 30 days) being the repeated fixed factor in this model. Finally, we conducted LMM analysis for each growth period to test whether hormone treatment affected ROMs and OXY levels (at 10 days first and at 30 days) and whether it affected telomere loss from 10 to 30 days. We included as covariates (i) previous ROMs and OXY levels in the models controlling for oxidative stress levels and (ii) body mass gain, ROMs and OXY at 10 days in the model testing the impact of treatment on telomere loss.

We also used path analysis to test the significance of multiple relationships among observed, potentially inter-related variables and to assess the sign and strength of those relationships [42]. Here, we estimated and quantified hypothesized causal relationships between (i) an exogenous variable: body mass gain (BMG) from 0 to 10 days and four endogenous variables (ii) body mass gain from 10 to 30 days, (iii) ROMs and (iv) OXY at 10 days and (v) telomere loss from 10 to 30 days. Path analyses were conducted independently for each hormone treatment, and selection of the most parsimonious model was made for each treatment by removing the insignificant paths one by one. We ensured that the Chi-square (which tests the null-hypothesis that the reduced model fits the data as well as the saturated model) remained > 0.05 when removing a variable. In the control group, BMG from 0 to 10 days and BMG from 0 to 30 days were highly correlated (Spearman correlation, $r^2 = -0.98$, $p < 0.001$), potentially generating biased evaluation of the standardized estimates in this group (*i.e.* standardized Betas > 1). Based on the paper of Petraitis *et al.* [43], those two highly correlated variables were merged in one variable (BMG from 0 to 30 days) in order to avoid a bias caused by a problem of co-linearity in the path analysis.

Results

1) Oxidative Stress and Telomere Length of Mothers

ROMs levels and relative telomere loss of mothers were affected by our experimental treatment ($F_{2,6} = 6.872$, $p = 0.028$ and $F_{2,7} = 4.723$, $p = 0.050$). Post-hoc analyses indicated that mothers

injected with CORT had more ROMs than Control mothers (11.927 ± 1.543 mg $\text{H}_2\text{O}_2/\text{dL}$ and 6.067 ± 1.579 mg $\text{H}_2\text{O}_2/\text{dL}$ respectively, $p = 0.010$) when their chicks were 30 days old, relative to their levels at pairing. CORT-treated mothers also had a higher rate of telomere loss than Control mothers (-0.631 ± 0.138 vs. -0.032 ± 0.139 , $p = 0.018$). However, we found no significant differences in those parameters between E_2 -treated females and either CORT- or control mothers. OXY levels and DNA damage of mothers were not affected by our hormonal treatments ($F_{2,6} = 0.657$, $p = 0.552$, $F_{2,4} = 0.575$, $p = 0.603$).

2) Treatment Effects on Embryonic and Post-natal Growth

Egg mass differed significantly among treatments ($F_{2,154} = 6.873$, $p = 0.001$): eggs produced by E_2 -treated females were significantly heavier (1.101 ± 0.055 g) than eggs produced by Control (1.047 ± 0.056 g) and CORT-treated females (1.044 ± 0.056 g, $p = 0.003$ and $p = 0.002$ respectively). Similarly, hatching body mass of chicks was significantly affected by mother's hormonal treatment ($F_{2,30} = 5.918$, $p = 0.007$). However, here chicks of CORT-treated females were lighter (0.635 ± 0.062 g) than chicks of Control- (0.783 ± 0.066 g) or E_2 -treated females (0.767 ± 0.065 g, $p = 0.002$ and $p = 0.017$ respectively).

There was a significant sex*treatment interaction ($F_{2,29,671} = 4.276$, $p = 0.023$) for body mass gain of chicks. We therefore conducted a separate analysis of treatment effects by chick sex which showed that hormone treatment modified growth rate in male chicks ($F_{2,10,560} = 4.276$, $p = 0.008$) but not in female chicks ($F_{2,11,510} = 0.063$, $p = 0.939$). Post-hoc analyses revealed that male chicks of E_2 -treated mothers had higher growth rates than male chicks of CORT-treated females (Figure 1, $p = 0.002$). However, growth rate of E_2 male chicks was marginally non-significantly different compared with Control male chicks (Figure 1, $p = 0.063$). This sex-specific effect was confirmed for body mass of chicks at 30 days of age ($F_{2,22} = 4.156$ et $p = 0.029$): male chicks of E_2 -treated females were heavier than Control and CORT males (Figure 1, $p = 0.030$ and $p = 0.009$ respectively).

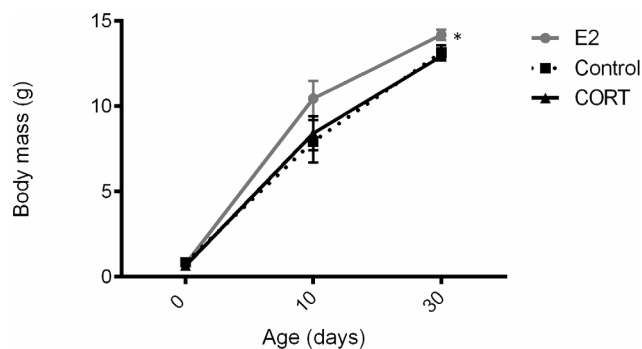


Figure 1. Body mass dynamics of male chicks raised by hormonally-treated (E_2 and CORT) and control zebra finch females. This higher body mass in E_2 male chicks results from a significantly higher body mass gain over the first 30 days of life (see text for details). Chicks were measured at hatching and every two days until 30 days of age. Grey dots, black squares and black triangles represent E_2 , Control and CORT treated chicks, respectively. Means are plotted \pm SE and * indicates a significant difference in body mass. doi:10.1371/journal.pone.0097705.g001

3) Treatment Effects on Chick Oxidative Stress and Telomere Dynamics

Hormone treatment of mothers had a significant effect on ROMs levels of 10 days-old chicks ($F_{2,23} = 5.012$, $p = 0.016$). E_2 chicks from both sexes had lower ROMs levels than Control and CORT chicks (Figure 2a, $p = 0.013$ and $p = 0.008$ respectively). Chick ROMs levels also differed between sexes at 10 days ($F_{1,23} = 5.872$, $p = 0.024$): male chicks had lower ROMs levels than females (1.732 ± 0.465 mg $\text{H}_2\text{O}_2/\text{dL}$ and 2.398 ± 0.461 mg $\text{H}_2\text{O}_2/\text{dL}$ respectively). However, there was no significant effect of treatment or sex on ROMs at 30 days (Figure 2a, $F_{2,20,863} = 1.586$, $p = 0.228$). Treating mothers with CORT and E_2 also had a significant impact on plasma antioxidant capacity of their chicks at 10 days ($F_{2,21} = 8.747$ and $p = 0.002$). E_2 and CORT chicks had a higher antioxidant capacity than Control chicks (Figure 2b, $p = 0.006$ and $p = 0.001$ respectively). The same difference was observed at 30 days ($F_{2,22,949} = 7.617$, $p = 0.003$): Control chicks had reduced antioxidant capacity compared to E_2 and CORT chicks (Figure 2b, $p = 0.003$ and $p = 0.002$ respectively).

Hormone treatment also had a significant effect on telomere loss of chicks between 10 and 30 days of age (Figure 2c): treatment*sex interaction ($F_{2,20} = 3.227$, $p = 0.048$). While no significant treatment effect was found in male chicks ($F_{2,5,26} = 0.871$, $p = 0.471$), there was a significant effect of hormone treatment in female chicks ($F_{2,9} = 6.652$, $p = 0.017$). Post-hoc tests indicated that female chicks from CORT-treated mothers had greater telomere loss compared to Control and E_2 chicks (Figure 2c., $p = 0.009$ and $p = 0.025$ respectively).

4) Path Analysis and Correlated Relationships Between

Body mass gain and ageing variables. Multiple regression analysis (conducted for each treatment separately) show that body mass gain from 0 to 30 days was positively correlated with OXY levels at 10 days in Control chicks (Figure 3a, $p < 0.001$). In CORT chicks, body mass gain from 0 to 10 days was significantly and positively correlated with ROMs levels in (Figure 3c, $p < 0.001$ and $p = 0.025$). However, no correlations were found between body mass gain and OXY or ROMs levels in E_2 chicks (Figure 3b, $p > 0.05$). Body mass gain from 0 to 10 days also contributed directly but negatively to the rate of body mass gain recorded between 10 to 30 days in CORT chicks (Figure 3c, $p < 0.001$) but positively in the E_2 group (Figure 3b, $p = 0.005$). In other words, E_2 -treated chicks with the fastest growth between 0 and 10 days also had the fastest growth between 10 and 30 days but without any associated increase in their plasma d-ROMs levels or any decrease in their plasma OXY levels. Finally, body mass gain contributed directly to telomere loss between 10 and 30 days in two cases: (i) positively in Control chicks (Figure 3a, $p = 0.003$), with faster growing chicks having higher telomere loss, and (ii) negatively in E_2 chicks (Figure 3b, $p = 0.011$). This suggests, counter-intuitively, that the chicks raised by E_2 -treated females that grew faster from 0 to 10 days had reduced telomere loss subsequently. No significant interactions were observed in the CORT chicks between these two variables.

Oxidative stress and telomere loss. ROMs levels at 10 days contributed to the rate of telomere loss between 10 and 30 days in Control chicks (positively, Figure 3a, $p < 0.001$) and E_2 -treated chicks (negatively, Figure 3b, $p = 0.05$). No significant relationships between these variables were found in CORT chicks (Figure 3c, $p > 0.05$). In the control group, there was also a significant and negative contribution of antioxidant levels at 10 days on subsequent telomere loss (Figure 3a, $p = 0.007$).

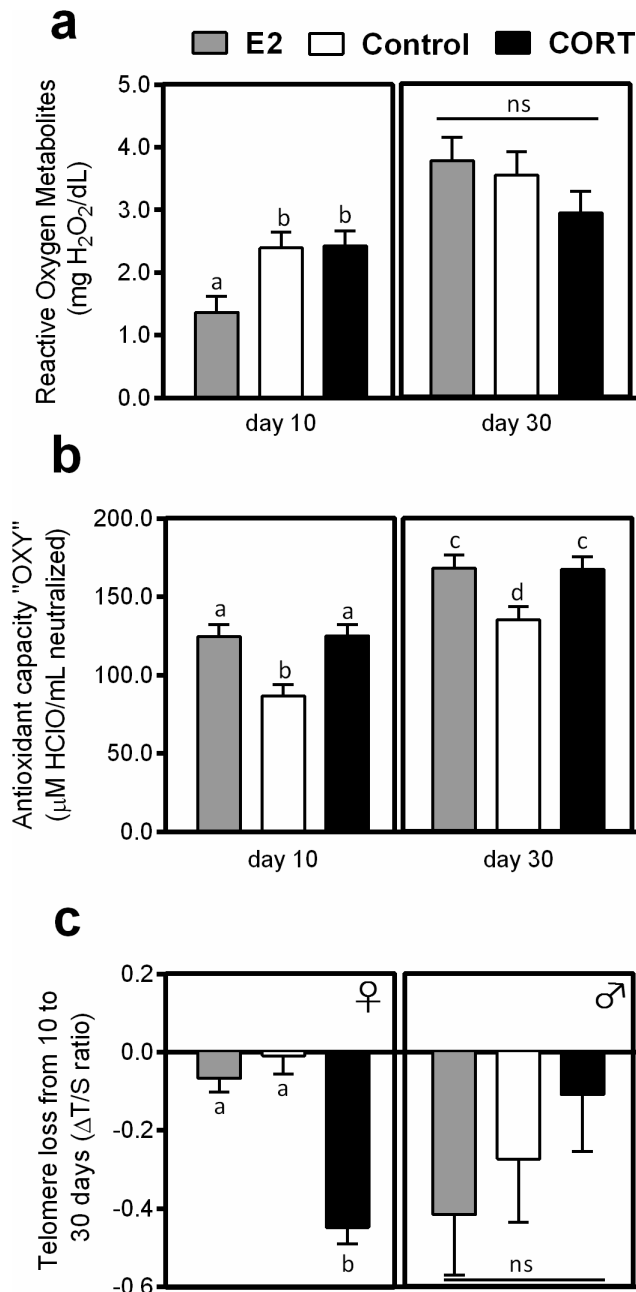


Figure 2. Effect of the maternal hormonal treatment on ageing markers of chicks from E₂-treated females (grey), control females (white) and CORT-treated females (black) zebra finch. Plasma reactive oxygen metabolites (a), antioxidant capacity (b) and red blood cell telomere loss (c) of chicks are indicated (N = 29:8 E₂, 8 Control and 13 CORT chicks; Means ± SE). Different letters highlight significant inter-group differences (p < 0.05). Proper statistical analysis is detailed in the text.

doi:10.1371/journal.pone.0097705.g002

Discussion

Our study design examined the effect of an experimental manipulation of the maternal hormonal state during egg formation and egg-laying on chick growth rate, assuming transfer of steroids from mothers to yolks. We subsequently studied the direct or indirect consequences of this hormonal treatment on chick ageing processes – *i.e.* oxidative stress and telomere dynamics – during

embryonic and post-hatching growth. Our study therefore only focused on the global impact of maternal hormonal status on chick phenotype, and does not distinguish between either pre- or post-natal effects or between direct (hormonal) or indirect (parental care) mediated impacts of our maternal treatment. Using two steroid hormones that are thought to have pro- (CORT) or anti-ageing effects (E₂), we showed that maternal exposure to CORT lead to a reduced hatching body mass in chicks of both sexes, and to an increased rate of telomere loss in female chicks. Conversely, maternal exposure to E₂ increased body mass gain and body mass at the end of the growth period (30 days of age) in male chicks, but this was not associated with increased oxidative stress or telomere loss as usually observed in young with increased growth rates [8,10,28,55]. Path analyses revealed complex modulation of the relationships between the inter-related variables of growth, oxidative stress and telomere dynamics in chicks reared by CORT and E₂-treated females which suggest that the whole balance between pro- and anti-telomere erosion processes was likely affected by our experimental treatment.

1) Maternal Hormonal Treatment

Our experimental protocol involved hormonal treatment of mothers assuming transfer of steroids from mothers to yolks (following previous studies [20,23,30,31]), rather than direct manipulation of egg hormone content by egg injection. This raises the possibility that the effects we observed on offspring could have been ‘indirect’, *e.g.* mediated by modifications of egg composition or post-hatching changes in parental care, rather than ‘direct’ effects of maternally-derived hormones. For example, Christians & Williams [44] reported that E₂ treatment had no effect on egg mass or egg albumen content in European starlings but eggs of E₂-treated females had less yolk lipid (–12%) and yolk protein (–12%). However, in our study egg mass and chick mass were actually *higher* following E₂ injections in females. Salvante & Williams [33] showed that CORT treatment had no effect on egg mass, yolk protein, total protein, yolk lipid, or dry masses of egg shell, albumen, or yolk in zebra finches, despite experimental females having elevated plasma CORT during egg-laying. However, we cannot rule out the possibility that hormone treatment affected other aspects of egg quality (*e.g.* antioxidant, immunoglobulin levels) that contributed to differences in chick oxidative state. It is also possible that our hormonal treatment may have affected chick traits via some post-hatching negative effect on female condition or quality or parental care, although Salvante & Williams [33] showed that CORT treatment had no effect on the pattern of change in female body mass during egg-laying. Similarly, although we have no detailed data on parental care, hormone-treated females were still able to contribute to successfully to hatching and rearing chicks in our study. We know from previous studies that hormones injected into mothers are transferred to eggs [20,23,30,31], resulting in elevated yolk steroid levels. In addition, at least for CORT, when injected into eggs, hormones do have direct effects on chicks’ phenotypes similar to those we document here [45,46]. Additional measurements of hormone levels in egg yolk in our case would help to better understand the precise mechanism involved in the plasticity of chick’s growth and ageing phenotype that we document.

2) Maternal Hormonal Treatment and Offspring Growth

Chicks of CORT-treated females had a reduced body mass at hatching compared to chicks of control and E₂ groups suggesting that CORT injections in mothers lead to a reduced growth during pre-natal development. This association between CORT and growth reduction has been well documented [20,21,47]. However,

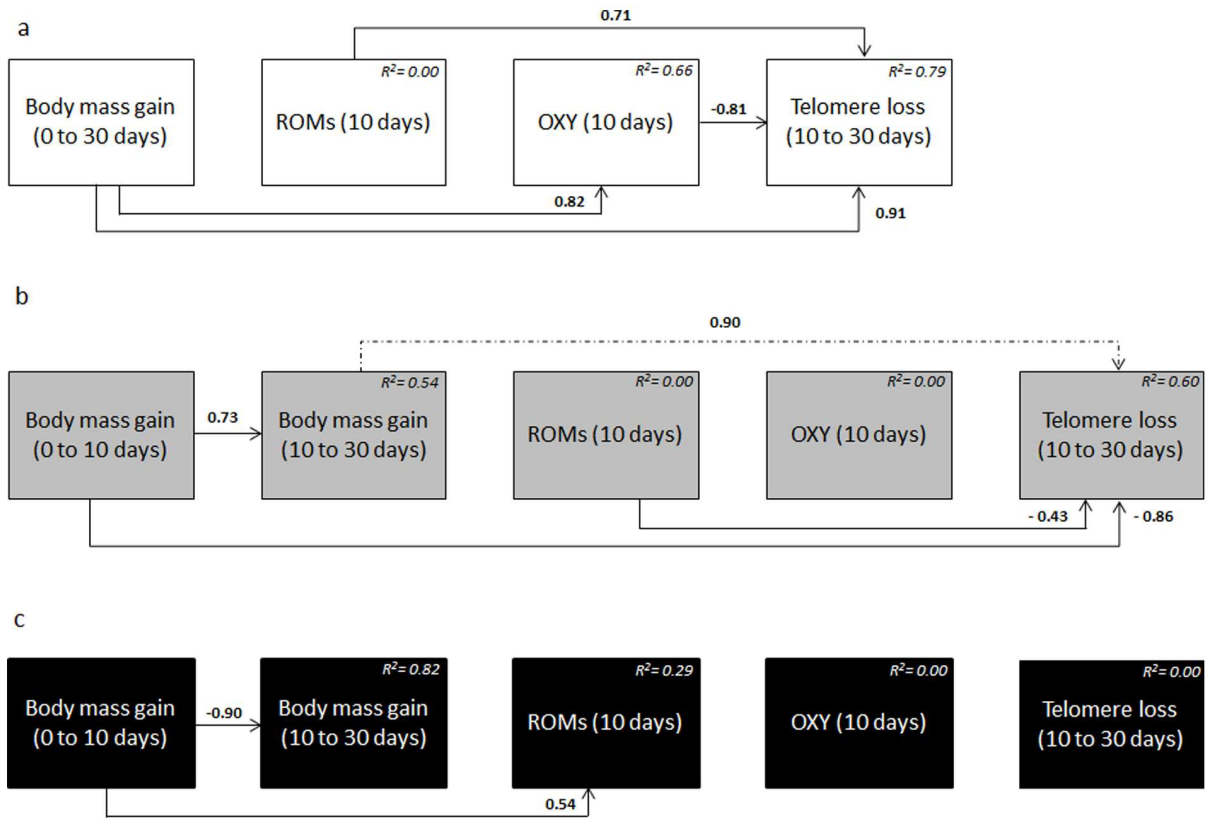


Figure 3. Path analysis diagrams for intra-group relationships between growth and ageing variables measured on chicks, in response to the hormonal treatment of the reproductive mothers. Control (a), E₂ (b) and CORT group (c). Arrow represent causal link between variables, and standardized estimates (which can be positive or negative) are indicated along their respective paths. The total effect is the sum of direct and indirect effects. Significant paths are indicated by solid arrows while the dashed arrow represents a non-significant path remaining in the selected model. R² is indicated in the box of each exogenous variable and represents the variation of the endogenous variable (*i.e.* body mass gain) explained by each corresponding exogenous variables. See text for statistical details. **ROMs**: reactive oxygen metabolites; **OXY**: plasma antioxidant capacities.

doi:10.1371/journal.pone.0097705.g003

this impact seems to diminish during post-hatching development in our study: CORT-treated male chicks did not show significantly reduced growth or body masses at 30 days compared to controls. This is consistent with other studies that found no effect of CORT on growth or fledging body mass [19,23]. Conversely, male chicks from E₂-treated females had higher growth than CORT males (marginally non-significantly different than Control males) and a higher mass at 30 days. These results suggest that E₂ injections promoted growth of male chicks during post-natal development, while CORT injections seem to have acted mainly during embryo development. Our treatment could have affected offspring growth in different ways. First, the treatment could have indirectly affected chick growth by modulating maternal behavior and investment in offspring. Indeed, the increased egg mass of E₂-injected females in our study suggests an increase in reproductive investment to embryos, as previously noted by Williams [48]. This higher investment in reproduction should then lead to a better fitness for the mother, through “better quality” offspring, which is consistent to our finding of increased body mass growth and increased 30 days-old body masses of E₂ compared to CORT offspring males. Alternatively, our results could be due to a direct modulation of chick growth by maternally-derived E₂ and CORT. Unfortunately, to our knowledge, studies connecting E₂ and growth are lacking, particularly in birds (but see [49,50]). Interestingly, the impact of CORT injections on embryonic

development is better documented [6,19,20,33,47]. Hormone treatment also affected ageing parameters of mothers, with CORT negatively affecting oxidative stress and telomere maintenance. Indeed, CORT-treated females had higher levels of ROMs and shorter telomeres at fledging, suggesting an ageing cost of CORT injections [19]. These findings, associated with the increased egg mass of E₂-treated females, suggest that our hormonal treatment was physiologically relevant.

3) Maternal Hormonal Treatment and Offspring Ageing Parameters

E₂ injections could also have had an effect on chick growth through the down regulation of oxidative stress (lower levels of oxidative damages and higher levels of plasma antioxidant capacity). Indeed, as discussed above, oxidative stress has been suggested to have modulatory effects on growth rate [12]. Interestingly, E₂ males grew faster but did not suffer increased oxidative damage which is consistent with estrogen’s capacity to reduce ROS production [27] (reviewed in [28]; but see also [51]) or its ability to be a potent antioxidant [28]. Contrary to our predictions – and unlike a previous study [19] – we found no impact of CORT on oxidative damage (*i.e.* ROMs levels and DNA damage) either at 10 or 30 days, perhaps because CORT chicks had higher levels of plasma antioxidant capacities (*i.e.* OXY) in our study. However, our results are consistent with the finding of

Hoogenboom *et al.* [52] in brown trout, where cortisol levels were not directly related to oxidative damage. The effects of CORT on physiology and behaviour have been shown to vary widely according to dose, timing, species and life-history strategy [53,54,55]. This could partly explain these contrasting findings of studies on CORT impacts on oxidative balance.

Even though we found no effects of CORT-treatment on chick's oxidative damage, and no correlation between ROMs levels and telomere loss (figure 3c), female chicks of CORT-treated mothers had greater telomere loss between 10 and 30 days than female chicks of the other groups. This telomere loss was not related to rate of body mass gain, ROMs levels or OXY levels (figure 3c) contrary to what we observed in the Control chicks (figure 3a). Under enhanced CORT-levels, telomere erosion due to cell division might have been costly because of the inhibition of telomere maintenance process by CORT, *i.e.* the inhibitory effect of CORT on telomerase [56]. On the other hand, there was no effect of hormone treatment, or of increased growth rate, on telomere loss in E₂ chicks. As shown in figure 3b, the link between oxidative damage (ROMs) and telomere loss, and the link between body mass gain from and telomere loss, are the reverse of the relationships observed in Control chicks (figure 3a.). This suggests that the relationships between growth, oxidative stress and telomere loss have been changed by E₂ treatment, hypothetically through a positive impact of E₂ on telomerase activity. Indeed, besides its antioxidant capacities, estrogen is also known to be an activator of telomerase [25] and to reduce telomere loss in humans [27].

4) Maternal Hormonal Treatment and Ageing Rate Consequences for Offspring

Our data suggest that E₂ treatment but not CORT treatment, has a sex-specific effect on post-natal growth in offspring with no effect on embryonic development. This effect of E₂ is associated with short-term physiological benefits (*i.e.* decreased oxidative damage and increased plasma antioxidant capacities), and no apparent costs in terms of increased telomere loss, perhaps due to a positive effect of E₂ on telomerase activity. On the other hand, maternally derived CORT seems to have an impact on offspring embryonic development, in both males and females, and a sex-biased long term cost on cellular ageing processes, affecting only telomere loss in female chicks in zebra finches, again potentially because of decreased activity of telomerase in females. Sex-specific effects of hormonal treatment on growth and on offspring phenotype have previously been revealed in birds [21,57,58]. They could be explained by indirect differential investment by mothers into male and female offspring, triggered by E₂ or CORT treatment in our experiment, or by different direct sex-specific effects of these hormones. An experiment utilizing egg injection,

directly manipulating hormone exposure of embryos, would allow us to discriminate between maternal-derived and direct effects of hormones on chicks' phenotypes and to understand if maternal hormones act directly on ageing parameters. Furthermore, Haussmann *et al.* [19] showed that CORT injection in eggs influence chick ageing in chicken and here we show that maternal-hormonal status can also modulate growth and ageing in chicks. The next step would be to test whether natural variability in maternal E₂ and CORT levels is of importance in determining chick phenotype at fledging.

It remains important to evaluate the consequences of these effects on future offspring fitness. Based on the recent literature, shortened telomere length at the end of the growth period is deleterious in terms of lifespan in captive zebra finches [18]. A comparable conclusion was found in mammals, for which poor nutritional conditions in early life resulted in shortened telomeres and reduced lifespan [59,60]. Given that measuring telomere length in blood cells partially reflects telomere dynamics in other tissues [61,62,63], this suggests that having long telomeres is beneficial (see also [64,65] and references herein). As such, in our case this suggests that CORT- and E₂-treated offspring might have contrasting life-history trajectories. A similar hypothetical conclusion can be drawn from our demonstration of a lack of cost in terms of oxidative damage despite a faster growth rate in E₂ offspring. Given that oxidative damage has been proposed to mediate longevity costs of faster growth (reviewed in Monaghan *et al.* [12]), and that high oxidative damage levels have been related to reduced fertility or survival rate in natural conditions (*e.g.* Bize *et al.* [16]), E₂ offspring may also benefit from fitness advantages. Testing both the accuracy of these expected long-term effects of our experimental maternal-treatment and the pathways actually involved (direct hormonal modulation of the offspring phenotype or through parental care mediated effects) will be a future crucial step to understand the evolutionary value of maternal effects mediated by CORT and E₂.

Acknowledgments

Thanks to Margaret Eng, Sandrine Zahn, Sophie Reichert, Antoine Stier and Sylvie Masemin for help and advice on hormonal, laboratory manipulations and on oxidative stress/telomere measurements. Thanks also to Thomas Herbin for his work on chicks sex determination. We also wish to thank the two anonymous reviewers for their helpful comments on a previous draft.

Author Contributions

Conceived and designed the experiments: MLT FC TDW. Performed the experiments: MLT. Analyzed the data: MLT FC. Contributed reagents/materials/analysis tools: FC TDW. Wrote the paper: MLT FC TDW.

References

1. Calow P (1982) Homeostasis and fitness. *Am Nat* 120: 416–419.
2. Arendt JD (1997) Adaptive intrinsic growth rates: an integration across taxa. *Quarterly Review of Biology* 72: 149–177.
3. Metcalfe NB, Monaghan P (2001) Compensation for a bad start: grow now, pay later? *Trends Ecol Evol* 16: 254–260.
4. Oddie KR (2000) Size matters: competition between male and female great tit offspring. *J Anim Ecol* 69: 903–912.
5. You Y, Feng J, Wang H, Wang J, Dong C, *et al.* (2009) Variation in egg size and nestling growth rate in relation to clutch size and laying sequence in great tits *Parus major*. *Prog Nat Sci* 19: 427–433.
6. Love OP (2013) Determining the adaptive potential of maternal stress. *Ecol Lett* 16: 271–280.
7. Alonso-Alvarez C, Bertrand S, Devevey G, Prost J, Faivre B, *et al.* (2004) Increased susceptibility to oxidative stress as a proximate cost of reproduction. *Ecol Lett* 7: 363–368.
8. Kim S, Noguera JC, Morales J, Velando A (2010) Heritability of resistance to oxidative stress in early life. *J Evol Biol* 23: 769–775.
9. Kilgas P, Tilgar V, Kulaev R, Saks L, Hõrak P, *et al.* (2010) Antioxidant protection, immune function and growth of nestling great tits *Parus major* in relation to within-brood hierarchy. *Comp Biochem Physiol B Biochem Mol Biol* 157: 288–293.
10. Metcalfe NB, Monaghan P (2003) Growth versus lifespan: perspectives from evolutionary ecology. *Exp Gerontol* 38: 935–940.
11. von Zglinicki T (2002) Oxidative stress shortens telomeres. *Trends Ecol Evol* 27: 339–344.
12. Monaghan P, Metcalfe N, Torres R (2009) Oxidative stress as a mediator of life history trade-offs: mechanisms, measurements and interpretation. *Ecology Lett* 27: 75–92.
13. de Lange T, Lundblad V, Blackburn E (2006) Telomeres. *Cold Spring Harb Perspect Med*.

14. Cawthon R, Smith K, Obrien E, Sivatchenko A, Kerber R (2003) Association between telomere length in blood and mortality in people aged 60 years or older. *The Lancet* 361: 393–395.
15. Hall ME, Nasir L, Daunt F, Gault EA, Croxall JP, et al. (2004) Telomere loss in relation to age and early environment in long-lived birds. *Proc R Soc Lond B Biol Sci* 271: 1571–1576.
16. Bize P, Criscuolo F, Metcalfe NB, Nasir L, Monaghan P (2009) Telomere dynamics rather than age predict life expectancy in the wild. *Proc R Soc Lond B Biol Sci* 276: 1679–1683.
17. Salomons HM, Mulder GA, van de Zande L, Haussmann MF, Linkens MHK, et al. (2009) Telomere shortening and survival in free-living corvids. *Proc R Soc Lond B Biol Sci* 276: 3157–3165.
18. Heidinger BJ, Blount JD, Boner W, Griffiths K, Metcalfe NB, et al. (2012) Telomere length in early life predicts lifespan. *Proc Natl Acad Sci USA* 109: 1743–1748.
19. Haussmann MF, Longenecker AS, Marchetto NM, Juliano SA, Bowden RM (2011) Embryonic exposure to corticosterone modifies the juvenile stress response, oxidative stress and telomere length. *Proc R Soc Lond B Biol Sci* 279: 1447–1456.
20. Hayward LS, Wingfield JC (2004) Maternal corticosterone is transferred to avian yolk and may alter offspring growth and adult phenotype. *Gen Comp Endocrinol* 135: 365–371.
21. Hayward LS, Richardson JB, Grogan MN, Wingfield JC (2006) Sex differences in the organizational effects of corticosterone in the egg yolk of quail. *Gen Comp Endocrinol* 146: 144–148.
22. Gam AE, Mendonça MT, Navara KJ (2011) Acute corticosterone treatment prior to ovulation biases offspring sex ratios towards males in zebra finches *Taeniopygia guttata*. *J Avian Biol* 42: 253–258.
23. Love OP, Wynne-edwards KE, Bond L, Williams TD (2008) Determinants of within- and among-clutch variation in yolk corticosterone in the European starling. *Horm Behav* 53: 104–111.
24. Spencer KA, Verhulst S (2008) Post-natal exposure to corticosterone affects standard metabolic rate in the zebra finch (*Taeniopygia guttata*). *Gen Comp Endocrinol* 159: 250–256.
25. Kyo S, Takakura M, Kanaya T, Zhuo W, Fujimoto K, et al. (1999) Estrogen Activates Telomerase. *Cancer Res* 59: 5917–5921.
26. Behl C, Widmann M, Trapp T, Holsboer F (1995) 17- β estradiol protects neurons from oxidative stress-induced cell death in-vitro. *Biochem Biophys Res Commun* 216: 473–482.
27. Itagaki T, Shimizu I, Cheng X, Yuan Y, Oshio A, et al. (2005) Opposing effects of oestradiol and progesterone on intracellular pathways and activation processes in the oxidative stress-induced activation of cultured rat hepatic stellate cells. *Gut* 54: 1782–1789.
28. Barrett ELB & Richardson DS (2011) Sex differences in telomeres and lifespan. *Ageing cell* 44: 913–921.
29. Chaki SP, Misro MM, Gautam DK, Kaushik M, Ghosh D, et al. (2006) Estradiol treatment induces testicular oxidative stress and germ cell apoptosis in rats. *Apoptosis* 11: 1427–1437.
30. Williams TD, Ames CE, Kiparissis Y, Wynne-Edwards KE (2005) Laying-sequence-specific variation in yolk oestrogen levels, and relationship to plasma oestrogen in female zebra finches (*Taeniopygia guttata*). *Proc R Soc Lond B Biol Sci* 272: 173–177.
31. Kozłowski CP, Riecklefs RE (2010) General and Comparative Endocrinology Egg size and yolk steroids vary across the laying order in cockatiel clutches: A strategy for reinforcing brood hierarchies? *Gen Comp Endocrinol* 168: 460–465.
32. Eng ML, Elliott JE, Letcher RJ, Williams TD (2013) Environmental toxicology individual variation in body burden, lipid status, and reproductive investment is related to maternal transfer of a Brominated Diphenyl Ether (BDE-99) to eggs in the zebra finch. *Environ Toxicol Chem* 32: 345–352.
33. Salvante KG, Williams TD (2003) Effects of corticosterone on the proportion of breeding females, reproductive output and yolk precursor levels. *Gen Comp Endocrinol* 130: 205–214.
34. Von-Engelhardt N, Dijkstra C, Daan S, Groothuis TGG (2004) Effects of 17- β -estradiol treatment of female zebra finches on offspring sex ratio and survival. *Horm Behav* 45: 306–313.
35. Criscuolo F, Monaghan P, Proust A, Skorpilova J, Laurie J, et al. (2011) Costs of compensation: effect of early life conditions and reproduction on flight performance in zebra finches. *Oecologia* 167: 315–323.
36. Griffiths R, Double MC, Orr K, Dawson RJ (1998) A DNA test to sex most birds. *Mol Ecol* 7(8): 1071–1075.
37. Martins TLF (2004) Sex-specific growth rates in zebra finch nestlings: a possible mechanism for sex ratio adjustment. *Behav Ecol* 15: 174–180.
38. Criscuolo F, Bize P, Nasir L, Metcalfe NB, Foote CG, et al. (2009) Real-time quantitative PCR assay for measurement of avian telomeres. *J Avian Biol* 40: 342–347.
39. Cawthon RM (2002) Telomere measurement by quantitative PCR. *Nucleic Acids Res* 30: e47.
40. Costantini D, Casagrande S, Filippis S, Brambilla G, Fanfani A, et al. (2006) Correlates of oxidative stress in wild kestrel nestlings (*Falco tinnunculus*). *J Comp Physiol B* 176: 329–337.
41. Beaulieu M, Ropert-Coudert Y, Le Maho Y, Ancel A, Criscuolo F (2010) Foraging in an oxidative environment: relationship between d13C and oxidative status in Adélie penguins. *Proc R Soc Lond B Biol Sci* 277: 1087–1092.
42. Shipley B (2004) Cause and Correlation in Biology. A User's Guide to Path Analysis, Structural Equations and Causal Inference. Cambridge: Cambridge University Press.
43. Petraitis PS, Dunham AE, Niewiarowski PH (1996) Inferring multiple causality: the limitations of path analysis. *Funct Ecol* 10: 421–431.
44. Christians JK, Williams TD (1999) Effects of exogenous 17 β estradiol on the reproductive physiology and reproductive performance of European starlings (*Sturnus vulgaris*). *J Exp Biol* 202: 2679–2685.
45. Love OP, Williams TD (2008) The Adaptive Value of Stress-Induced Phenotypes: Effects of Maternally Derived Corticosterone on Sex-Biased Investment, Cost of Reproduction, and Maternal Fitness. *Am Nat* 172: 135–149.
46. Henriksen R, Rettenbacher S, Groothuis TGG (2013) Maternal corticosterone elevation during egg formation in chickens (*Gallus gallus domesticus*) influences offspring traits, partly via prenatal undernutrition. *Gen Comp Endocrinol* 191: 83–91.
47. Saino N, Romano M, Ferrari RP, Martinelli R, Møller AP (2005) Stressed Mothers Lay Eggs with High Corticosterone Levels which Produce Low-Quality Offspring. *J Exp Zool A Ecol Genet Physiol* 303: 998–1006.
48. Williams TD (2005) Mechanisms underlying the costs of egg production. *BioScience* 55: 38–48.
49. Ho KY, Evans WS, Blizzard RM, Veldhuis JD, Merriam GR, et al. (1987) Effects of Sex and Age on the 24-Hour Profile of Growth Hormone Secretion in Man: Importance of Endogenous Estradiol Concentrations. *J Clin Endocrinol* 64: 51–58.
50. Harvey S (2013) Growth hormone and growth? *Gen Comp Endocrinol* 190: 3–9.
51. Casagrande S, Costantini D, Dell'Omo G, Tagliavini J, Groothuis TGG (2012) Differential effects of testosterone metabolites oestradiol and dihydrotestosterone on oxidative stress and carotenoid-dependent colour expression in a bird. *Behav Ecol Sociobiol* 66: 1319–1331.
52. Hoogenboom MO, Metcalfe NB, Groothuis TGG, De Vries B, Costantini D (2012) Relationship between oxidative stress and circulating testosterone and cortisol in pre-spawning female brown trout. *Comp Biochem Physiol A Mol Integr Physiol* 163: 379–387.
53. Breuner CW, Wingfield JC (2000) Rapid behavioral response to corticosterone varies with photoperiod and doses. *Horm Behav* 37: 23–30.
54. Schultner J, Kitaysky AS, Gabrielsen GW, Hatch SA, Bech C (2013) Differential reproductive responses to stress reveal the role of life-history strategies within a species. *Proc R Soc Lond B Biol Sci* 280: 2090–2100.
55. Thierry AM (2013) Statut endocrinien et effort de reproduction chez un oiseau marin longévif, le manchot Adélie, dans un environnement changeant. Thesis, Université de Strasbourg, 240 p.
56. Choi J, Fauce SR, Effros RB (2008) Reduced telomerase activity in human T lymphocytes exposed to cortisol. *Brain Behav Immun* 22: 600–605.
57. Love OP, Williams TD (2003) Corticosterone provides a link between maternal condition and sex-specific adjustment of offspring quality. *Integr Comp Biol* 43: 838.
58. Marasco V, Robinson J, Herzyk P, Spencer KA (2012) Pre- and post-natal stress in context: effects on the stress physiology in a precocial bird. *J Exp Biol* 215: 3955–3964.
59. Jennings BJ, Ozanne SE, Dorling MW, Hales CN (1999) Early growth determines longevity in male rats and may be related to telomere shortening in the kidney. *FEBS Lett* 448: 4–8.
60. Tarry-Adkins JL, Chen JH, Smith NS, Jones RH, Cherif H, et al. (2009) Poor maternal nutrition followed by accelerated postnatal growth leads to telomere shortening and increased markers of cell senescence in rat islets. *FASEB J* 23: 1521–1528.
61. Kimura M, Gazitt Y, Cao X, Zhao X, Landsrop PM, et al. (2010) Synchrony of telomere length among hematopoietic cells. *Exp Hematol* 38: 854–859.
62. Daniali L, Benetos A, Susser E, Kark JD, Labat C, et al. (2013) Telomeres shorten at equivalent rates in somatic tissues of adults. *Nature Comm* 4: 1597.
63. Reichert S, Criscuolo F, Verinaud E, Zahn S, Massemin S (2013) Telomere length correlations among somatic tissues in adult zebra finches. *PLoS One* 8: E81496.
64. Haussmann MF, Marchetto N (2010) Telomeres: Linking stress and survival, ecology and evolution. *Curr Zool* 56: 714–727.
65. Monaghan P, Haussmann MF (2006) Do telomere dynamics link lifestyle and lifespan? *Trends Ecol Evol* 21: 47–53.