



**HAL**  
open science

## A Bayesian active learning strategy for sequential experimental design in systems biology

Edouard Pauwels, Christian Lajaunie, Jean-Philippe Vert

► **To cite this version:**

Edouard Pauwels, Christian Lajaunie, Jean-Philippe Vert. A Bayesian active learning strategy for sequential experimental design in systems biology. *BMC Systems Biology*, 2014, 8, 12p. 10.1186/s12918-014-0102-6 . hal-00943728

**HAL Id: hal-00943728**

**<https://hal.science/hal-00943728>**

Submitted on 17 Feb 2014

**HAL** is a multi-disciplinary open access archive for the deposit and dissemination of scientific research documents, whether they are published or not. The documents may come from teaching and research institutions in France or abroad, or from public or private research centers.

L'archive ouverte pluridisciplinaire **HAL**, est destinée au dépôt et à la diffusion de documents scientifiques de niveau recherche, publiés ou non, émanant des établissements d'enseignement et de recherche français ou étrangers, des laboratoires publics ou privés.

# A Bayesian active learning strategy for sequential experimental design in systems biology

Edouard Pauwels<sup>1,2\*</sup>; Christian Lajaunie<sup>3,4,5</sup> and Jean-Philippe Vert<sup>3,4,5</sup>

<sup>1</sup>CNRS, LAAS, 7 avenue du colonel Roche, F-31400 Toulouse, France

<sup>2</sup>Univ de Toulouse, LAAS, F-31400 Toulouse, France

<sup>3</sup>Mines ParisTech, Centre for Computational Biology, 77300 Fontainebleau, France

<sup>4</sup>Institut Curie, 75005 Paris, France

<sup>5</sup>INSERM U900, 75005 Paris, France

## Abstract

Borrowing ideas from Bayesian experimental design and active learning, we propose a new strategy for optimal experimental design in the context of kinetic parameter estimation in systems biology. We describe algorithmic choices that allow to implement this method in a computationally tractable way and make it fully automatic. Based on simulation, we show that it outperforms alternative baseline strategies, and demonstrate the benefit to consider multiple posterior modes of the likelihood landscape, as opposed to traditional schemes based on local and Gaussian approximations. An R package is provided to reproduce all experimental simulations.

## 1 Introduction

Systems biology emerged a decade ago as the study of biological systems where interactions between relatively simple biological species generate overall complex phenomena [27]. Quantitative mathematical models, coupled with experimental work, now play a central role to analyze, simulate and predict the behavior of biological systems. For example, ordinary differential equation- (ODE) based models, which are the focus of this work, have proved very useful to model numerous regulatory, signaling and metabolic pathways [44, 48, 7], including for example the cell cycle in budding yeast [15], the regulatory module of nuclear factor  $\kappa$ B (NF- $\kappa$ B) signaling pathway [24, 34], the MAP kinase signaling pathways [40] or the caspase function in apoptosis [21].

Such dynamical models involve unknown parameters, such as kinetic parameters, that one must guess from prior knowledge or estimate from experimental data in order to analyze and simulate the model. Setting these parameters is often challenging, and constitutes a bottleneck in many modeling project [25, 48]. On the one hand, fixing parameters from estimates obtained *in vitro* with purified proteins may not adequately reflect the true activity in the cell, and is usually only feasible for a handful of parameters. On the other hand, optimizing parameters to reflect experimental data on how some observables behave under various experimental conditions is also challenging, since some parameters may not be identifiable, or may only be estimated with a large errors, due to the frequent lack of systematic quantitative measurements covering all variables involved in the system; many authors found, for example, that finding parameters to fit experimental observations in nonlinear models is a very ill-conditioned and multimodal problem, a phenomenon sometimes referred to as *sloppiness* [8, 11, 10, 46, 4, 23, 38]. When the

---

\*Contact: epauwels@laas.fr

system has more than a few unknown parameters, computational issues also arise to efficiently sample the space of parameters [35, 36], which has been found to be very rugged and sometimes misleading in the sense that many sets of parameters that have a good fit to experimental data are meaningless from a biological point of view [20].

Optimizing the experiments to be conducted in order to better estimate a system’s parameters therefore provides a promising direction to alleviate the difficulty of the task, and has already been the subject of much research in systems biology [30]. Some authors have proposed strategies involving random sampling of parameters near the optimal one, or at least coherent with available experimental observations, and systematic simulations of the model with these parameters in order to identify experiments that would best reduce the uncertainty about the parameters [17, 19, 42]. A popular way to formalize and implement this idea is to follow the theory of Bayesian optimal experimental design (OED) [14, 33]. In this framework, approximating the model by a linear model (and the posterior distribution by a normal distribution) leads to the well-known A-optimal [6, 43] or D-optimal [18, 31, 22] experimental designs, which optimize a property of the Fisher information matrix (FIM) at the maximum likelihood estimator. FIM-based methods have the advantage to be simple and computationally efficient, but the drawback that the assumption that the posterior probability is well approximated by a unimodal, normal distribution is usually too strong. To overcome this difficulty at the expense of computational burden, other methods involving a sampling of the posterior distribution by Monte-Carlo Markov chain (MCMC) techniques have also been proposed [28, 32]. When the goal of the modeling approach is not to estimate the parameters *per se*, but to understand and simulate the system, other authors have also considered the problem of experimental design to improve the predictions made by the model [13, 47, 45], or to discriminate between different candidate models [29].

In this work we propose a new general strategy for Bayesian OED, and study its relevance for kinetic parameter estimation in the context of systems biology. As opposed to classical Bayesian OED strategies which select the experiment that most reduces the uncertainty in parameter estimation, itself quantified by the variance or the entropy of the posterior parameter distribution, we formulate the problem in a decision-theoretic framework where we wish to minimize an error function quantifying how far the estimated parameters are from the true ones. For example, if we focus on the squared error between the estimated and true parameters, our methods attempts to minimize not only the variance of the estimates, as in standard A-optimal designs [6, 43], but also a term related to the bias of the estimate. This idea is similar to an approach that was proposed for active learning [39], where instead of just reducing the size of the version space (i.e., the amount of models coherent with observed data) the authors propose to directly optimize a loss function relevant for the task at hand. Since the true parameter needed to define the error function is unknown, we follow an approach similar to [39] and average the error function according to the current prior on the parameters. The results in a unique, well-defined criterion that can be evaluated and used to select an optimal experiment.

In the rest of this paper, we provide a rigorous derivation of this criterion, and discuss different computational strategies to evaluate it efficiently. The criterion involves an average over the parameter space according to a prior distribution, and we illustrate through simulations that MCMC-based simulations over the full parameter space are more efficient than local sampling around a mode of the distribution. We implemented the criterion in the context of an iterative experimental design problem, where a succession of experiments with different costs is allowed and the goal is to reach the best final parameter estimation given a budget to be spent, a problem that was made popular by the DREAM 6 and DREAM 7 Network Topology and Parameter Inference Challenge [1, 2, 3]. We demonstrate the relevance of our new OED strategy on a small simulated network in this context, and illustrate its behavior on the DREAM7 challenge. The method is fully automated, and we provide an R package to reproduce all simulations.

## 2 Methods

### 2.1 A new criterion for Bayesian OED

In this section we propose a new, general criterion for Bayesian OED. We consider a system whose behavior and observables are controlled by an unknown parameter  $\theta^* \in \Theta \subset \mathbb{R}^p$  that we wish to estimate. For that purpose, we can design an experiment  $e \in \mathcal{E}$ , which in our application will include which observables we observe, when, and under which experimental conditions. The completion of the experiment will lead to an observation  $o$ , which we model as a random variable generated according to the distribution  $o \sim P(o|\theta^*; e)$ . Note that although  $\theta^*$  is unknown, the distribution  $P(o|\theta; e)$  is supposed to be known for any  $\theta$  and  $e$ , and amenable to simulations; in our case,  $P(o|\theta; e)$  typically involves the dynamical equations of the system if the parameters are known, and the noise model of the observations.

Our goal is to propose a numerical criterion to quantify how "good" the choice of the experiment  $e$  is for the purpose of evaluating  $\theta^*$ . For that purpose, we assume given a loss function  $\ell$  such that  $\ell(\theta, \theta^*)$  measures the loss associated to an estimate  $\theta$  when the true value is  $\theta^*$ . A typical loss function is the squared Euclidean distance  $\ell(\theta, \theta^*) = \|\theta - \theta^*\|^2$ , or the squared Euclidean distance in after a log transform for positive parameters  $\ell(\theta, \theta^*) = \sum_{i=1}^p \log(\theta_i/\theta_i^*)^2$ . We place ourselves in a Bayesian setting, where instead of a single point estimate the knowledge about  $\theta^*$  at a given stage of the analysis is represented by a probability distribution  $\pi$  over  $\Theta$ . The quality of the information it provides can be quantified by the average loss, or risk:

$$E_{\theta \sim \pi(\theta)} \ell(\theta, \theta^*) = \int \ell(\theta, \theta^*) \pi(\theta) d\theta.$$

Once we choose an experiment  $e$  and observe  $o$ , the knowledge about  $\theta^*$  is updated and encoded in the posterior distribution

$$P(\theta|o; e) = \frac{P(o|\theta; e) \pi(\theta)}{\int_{\theta'} P(o|\theta'; e) \pi(\theta') d\theta'}, \quad (1)$$

whose risk is now:

$$E_{\theta \sim P(\theta|o; e)} \ell(\theta, \theta^*) = \int_{\theta} \ell(\theta, \theta^*) \frac{P(o|\theta; e) \pi(\theta)}{\int_{\theta'} P(o|\theta'; e) \pi(\theta') d\theta'} d\theta.$$

The above expression is for a particular observation  $o$ . This observation is actually generated according to  $P(o|\theta^*; e)$ . Accordingly, the average risk of the experiment  $e$  if the true parameter is  $\theta^*$  is:

$$E_{o \sim P(o|\theta^*; e)} E_{\theta \sim P(\theta|o; e)} \ell(\theta, \theta^*).$$

Finally,  $\theta^*$  being unknown, we average the risk by taking account of the current state of knowledge, and thus according to  $\pi$ . The expected risk associated to the choice of  $e$  when the current knowledge about  $\theta^*$  is encoded in the distribution  $\pi$  is thus:

$$\begin{aligned} R(e; \pi) &= E_{\theta' \sim \pi(\theta')} E_{o \sim P(o|\theta'; e)} E_{\theta \sim P(\theta|o; e)} \ell(\theta, \theta') \\ &= \int_{\theta, \theta'} \ell(\theta, \theta') \int_o \frac{P(o|\theta; e) \pi(\theta) P(o|\theta'; e) \pi(\theta')}{\int_{\theta''} P(o|\theta''; e) \pi(\theta'') d\theta''} d\theta d\theta'. \end{aligned} \quad (2)$$

The expected risk  $R(e; \pi)$  of a candidate experiment  $e$  given our current estimate of the parameter distribution  $\pi$  is the criterion we propose in order to assess the relevance of performing  $e$ . In other words, given a current estimate  $\pi$ , we propose to select the best experiment to perform as the one that minimizes  $R(e; \pi)$ . We describe in the next section more precisely how to use this criterion in the context of sequential experimental design where each experiment has a cost.

Note that the criterion  $R(e; \pi)$  is similar but different from classical Bayesian OED criteria, like the variance criterion used in A-optimal design. Indeed, taking for example the square Euclidean loss as loss function  $\ell(\theta, \theta^*) = \|\theta - \theta^*\|^2$ , and denoting by  $\pi_e$  the mean posterior distribution that we expect if we perform experiment  $e$ , standard A-optimal design tries to minimize the variance of  $\pi_e$ , while our criterion focuses on:

$$E_{\theta \sim \pi_e} \ell(\theta, \theta^*) = \|E_{\theta \sim \pi_e}[\theta] - \theta^*\|^2 + \text{Var}(\pi_e).$$

In other words, our criterion attempts to control both the bias and the variance of the posterior distribution, while standard Bayesian OED strategies only focus on the variance terms. While both criteria coincide with unbiased estimators, there is often no reason to believe that the estimates used are unbiased.

## 2.2 Sequential experimental design

In sequential experimental design, we sequentially choose an experiment to perform, and observe the resulting outcome. Given the past experiments  $e_1, \dots, e_k$  and corresponding observations  $o_1, \dots, o_k$ , we therefore need to choose what is the best next experiment  $e_{k+1}$  to perform, assuming in addition that each possible experiment  $e \in \mathcal{E}$  has an associated cost  $C_e$  and we have a limited total budget to spend.

We denote by  $\pi_k$  the distribution on  $\Theta$  representing our knowledge about  $\theta^*$  after the  $k$ -th experiment and observation, with  $\pi_0$  representing the prior knowledge we may have about the parameters before the first experiment. According to Bayes' rule (1), the successive posteriors are related to each other according to:

$$\pi_{i+1}(\theta) = \frac{P(o_{i+1}|\theta; e_{i+1}) \pi_i(\theta)}{\int_{\theta'} P(o_{i+1}|\theta'; e_{i+1}) \pi_i(\theta') d\theta'}.$$

Although a global optimization problem could be written to optimize the choice of the  $k$ -th experiment based on possible future observations and total budget constraint, we propose a simple, greedy formulation where at each step we choose the experiment that most decreases the estimation risk per cost unit. If the cost of all experiments were the same, this would simply translate to:

$$e_{k+1} = \arg \min_{e \in \mathcal{E}} R(e; \pi_k).$$

To take into account the different costs associated with different experiments, we consider as a baseline the mean risk when the knowledge about  $\theta^*$  is encoded in a distribution  $\pi$  over  $\Theta$ :

$$R(\pi) = E_{\theta \sim \pi(\theta)} E_{\theta' \sim \pi(\theta')} \ell(\theta, \theta'),$$

and choose the experiment that maximally reduces the expected risk per cost unit according to:

$$e_{k+1} = \arg \max_{e \in \mathcal{E}} \frac{R(\pi_k) - R(e; \pi_k)}{C_e}. \quad (3)$$

## 2.3 Evaluating the risk

The expected risk of an experiment  $R(e; \pi)$  (2) involves a double integral over the parameter space and an integral over the possible observations, a challenging setting for practical evaluation. Since no analytical formula can usually be derived to compute it exactly, we now present a numerical scheme that we found efficient in practice. Since the distribution  $\pi_k$  over the parameter space after the  $k$ -th experiment can not be manipulated analytically, we resort on sampling to approximate it and estimate the integrals by Monte-Carlo simulations.

Let us suppose that we can generate a sample  $\theta_1, \dots, \theta_N$  distributed according to  $\pi$ . Obtaining such a sample itself requires careful numerical considerations discussed in the next section,

but we assume for the moment that it can be obtained and show how we can estimate  $R(e; \pi)$  from it of a given experiment  $e$ . For that purpose, writing

$$w_{ij}(e) = \int_o \frac{P(o|\theta_i; e) P(o|\theta_j; e)}{\sum_{k=1}^N P(o|\theta_k; e)} do$$

for  $0 \leq i, j \leq N$ , we have the standard estimate of (2) by an empirical average:

$$R^N(e; \pi) = \frac{1}{N^2} \sum_{i,j=1}^N \ell(\theta_i, \theta_j) w_{ij}(e). \quad (4)$$

We see that the quantity  $w_{ij}(e)$  measures how similar the observation profiles are under the two alternatives  $\theta_i$  and  $\theta_j$ . A good experiment produces dissimilar profiles and thus low values of  $w_{ij}(e)$  when  $\theta_i$  and  $\theta_j$  are far appart. The resulting risk is thus reduced accordingly.

For each  $i$  and  $j$ , the quantity  $w_{ij}(e)$  can in turn be estimated by Monte-Carlo simulations. For each  $\theta_i$ , a sample of the conditionnal distribution  $P(o|\theta_i; e)$ , denoted by  $o_u^i$  ( $u = 1, \dots, M$ ) is generated. The corresponding approximation is:

$$w_{ij}^M(e) = \frac{1}{M} \sum_{u=1}^M \frac{P(o_u^i|\theta_j; e)}{\sum_{k=1}^N P(o_u^i|\theta_k; e)}, \quad (5)$$

which can be interpreted as a weighted likelihood of the alternative when the observation is generated according to  $\theta_i$ .

In most settings, generating a sample  $o_u^i$  involves running a deterministic model, to be performed once for each  $\theta_i$ , and degrading the output according to a noise model independently for each  $u$ . In our case, we used the solver proposed in [9] provided in the package [41] to simulate the ODE systems. Thus, a large number  $M$  can be used if necessary at minimal cost. Based on these samples, the approximated weights  $w_{ij}^M$  can be computed from (5), from which the expected risk of experiment  $e$  can be derived from (4).

Note that an appealing property of this scheme is that the same sample  $\theta_i$  can be used to evaluate all experiments. We now need to discuss how to obtain this sample.

---

**Algorithm 1:** NextExperiment

---

**input** : current distribution  $\pi_k(\theta)$ , possible experiments  $\mathcal{E}$ ,  $N$ ,  $M$

**output:** Best experiment  $e_{k+1} \in \mathcal{E}$

1 **begin**

2      $\theta_1, \dots, \theta_N \leftarrow \text{sample}(\pi_k(\theta))$

3     **for**  $e \in \mathcal{E}$  **do**

4         **for**  $i = 1$  **to**  $N$  **do**

5              $o_1^i, \dots, o_M^i \leftarrow \text{sample}(P(o|\theta_i; e))$

6             Compute  $R^N(e; \pi)$  from (4) and (5)

7     Choose  $e_{K+1}$  according to (3)

---

## 2.4 Sampling the parameter space

Sampling the parameter space according to  $\pi_k$ , the posterior distribution of parameters after the  $k$ -th experiment, is challenging because the likelihood function can exhibit multi-modality, plateaus and abrupt changes as illustrated in Figure 1. Traditional sampling techniques tend to get stuck in local optima, not accounting for the diversity of high likelihood areas of the

## log-likelihood on a plane

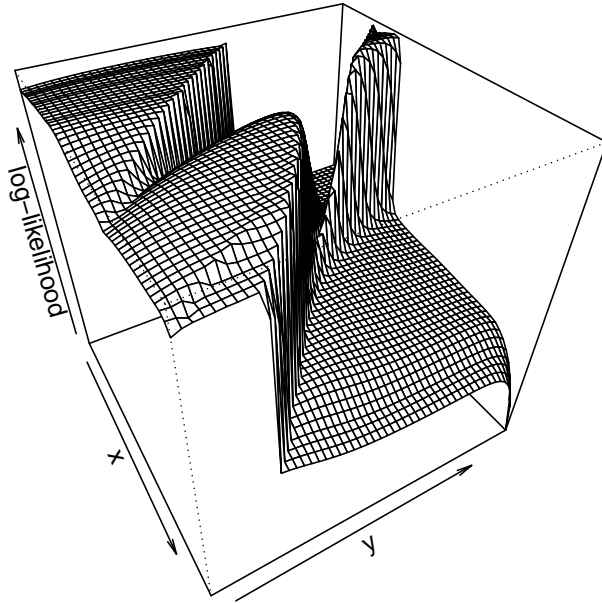


Figure 1: Log likelihood surface for parameters living on a restricted area of a two dimensional plane. For clarity, scale is not shown. Areas with low log-likelihood correspond to dynamics that do not fit the data at all, while areas with high log-likelihood fit the data very well. The surface shows multi-modality, plateaus and abrupt jumps which makes it difficult to sample from this density. When parameters do not live on a plane, these curses have even higher effect.

parameter space [5]. In order to speed up the convergence of sampling algorithm to high posterior density regions, we implemented a Broyden-Fletcher-Goldfarb-Shanno (BFGS) quasi-Newton optimization algorithm using finite difference approximation for gradient estimation [37] in order to identify several modes of the posterior distribution, and used these local maxima as initial values for a Metropolis Hastings sampler, combining isotropic Gaussian proposal and single parameter modifications [5]. Although finite difference approximation is known not to be the most stable numerical method for gradient computation, it provided us with the best trade off between computation, sample size, sample diversity and data fitting.

### 2.5 Enforcing regularity through the prior distribution

The prior distribution  $\pi_0$  plays a crucial role at early stages of the design, as it can penalize parameters leading to dynamical behaviors that we consider unlikely. In addition to a large variance log normal prior, we considered penalizing parameters leading to non smooth time trajectories. This is done by adding to the prior log density a factor that depends on the maximum variation of time course trajectories as follows. To each parameter value  $\theta$  are associated trajectories,  $Y_{i,t}$ , which represent concentration values of the  $i$ -th species at time  $t$ . In the evaluation of the log prior density at  $\theta$ , we add a term proportional to

$$\max_{i,t} (Y_{i,t+1} - Y_{i,t})^2.$$

The advantage of this is twofold. First, it is reasonable to assume that variables we do not observe in a specific design vary smoothly with time. Second, this penalization allows to avoid regions of the parameter space corresponding to very stiff systems, which are poor numerical

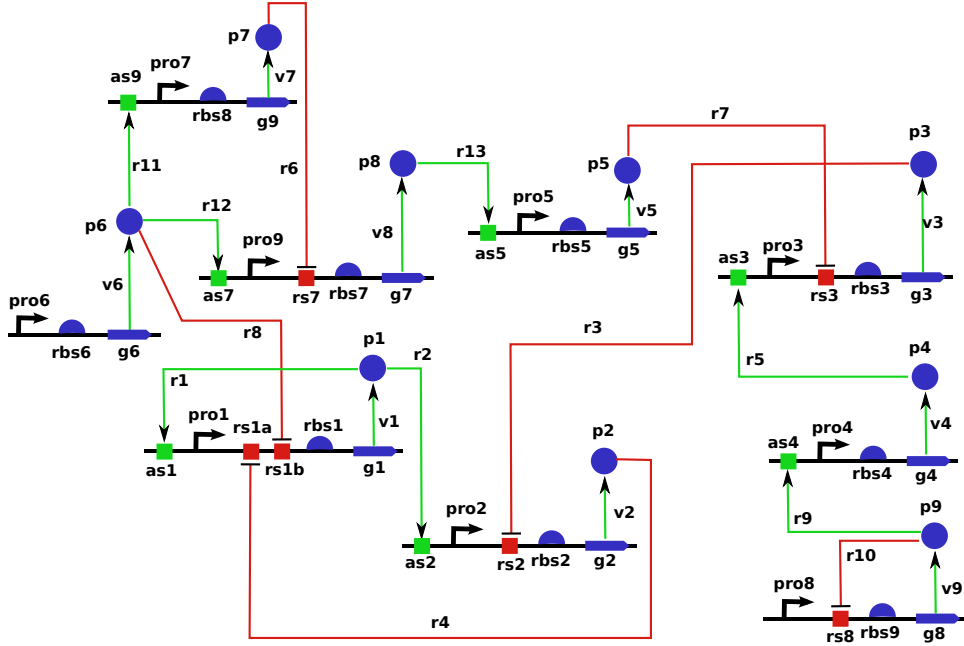


Figure 2: Gene network for DREAM7 Network Topology and Parameter Inference Challenge. Promoting reactions are represented by green arrows and inhibitory reactions are depicted by red arrows.

models of reality, and which simulation are computationally demanding or simply make the solver fail.

### 3 Results

#### 3.1 In silico network description

In order to evaluate the relevance of our new sequential Bayesian OED strategy in the context of systems biology, we test it on an *in silico* network proposed in the DREAM7 Network Topology and Parameter Inference Challenge which we now describe [3]. The network, represented graphically in Figure 2, is composed of 9 genes and its dynamics is governed by ordinary differential equations representing kinetic laws involving 45 parameters. Promoting reactions are represented by green arrows and inhibitory reactions are depicted by red arrows. For each of the 9 genes, both protein and messenger RNA are explicitly modelled and therefore the model contained 18 continuous variables. Promoter strength controls the transcription reaction and ribosomal strength controls the protein synthesis reaction. Decay of messenger RNA and protein concentrations is controlled through degradation rates. A complete description of the underlying differential equations is found in Annex A. The complete network description and implementations of integrators to simulate its dynamics are available from [3].

Various experiments can be performed on the network producing new time course trajectories in unseen experimental conditions. An experiment consists in choosing an action to perform on the system and deciding which quantity to observe. The possible actions are

- do nothing (wild type);
- delete a gene (remove the corresponding species);
- knock down a gene (increase the messenger RNA degradation rate by ten folds);



- decrease gene ribosomal activity (decrease the parameter value by 10 folds).

These actions are coupled with 38 possible observable quantities

- messenger RNA concentration for all genes, at two possible time resolutions (2 possible choices);
- protein concentration for a single pair of proteins, at a single resolution (resulting in  $9 * 8/2 = 36$  possible choices).

Purchasing data consists in selecting an action and an observable quantities. In addition, it is possible to estimate the constants (binding affinity and hill coefficient) of one of the 13 reactions in the system. Different experiments and observable quantities have different costs, the objective being to estimate unknown parameters as accurately as possible, given a fixed initial credit budget. The cost of the possible experiments are described 2 in Annex A.

For simulation purposes, we fix an unknown parameter value  $\theta^*$  to control the dynamics of the systems, and the risk of an estimator is defined in terms of the loss function  $\ell(\theta, \theta^*) = \sum_{i=1}^p \log(\theta_i/\theta_i^*)^2$ .

The noise model used for data corruption is heteroscedastic Gaussian: given the true signal  $y \in \mathbb{R}^+$ , the corrupted signal has the form  $\max\{0, y + z_1 + z_2\}$ , where  $z_1$  and  $z_2$  are centered normal variables with standard deviation 0.1 and  $(0.2 \times y)$ , respectively.

### 3.2 Performance on a 3-gene subnetwork

In order to assess the performance of our sequential OED strategy in a easily reproducible setting, we first compare it to other strategies on a small network made of 3 genes. We take the same architecture as in Figure 2, only considering proteins 6, 7 and 8. The resulting model has 6 variables (the mRNA and protein concentrations of the three genes) whose behavior is governed by 9 parameters. There are 50 possible experiments to choose from for this sub network: 10 perturbations (wildtype and 3 perturbations for each gene) and 5 observables (mRNA concentrations at two different time resolutions and each protein concentration at a single resolution).. We compare three ways to sequentially choose experiments in order to estimate the 9 unknown parameters: (i) our new Bayesian OED strategy, including the multimodal sampling of parameter space, (ii) the same strategy where we limit the sampling of the parameter space by initializing the sampler with the first posterior local maximum found using local search, and (iii) a random experimental design, where each experiment not done yet is chosen with equal probability. The comparison of (i) and (ii) is meant to assess the importance of correctly sampling the posterior probability in parameter space, as opposed to making the classical approximation of sampling near a unique mode only. The comparison to (iii) is meant to assess the benefit, if any, of our OED strategy for parameter estimation in systems biology. Since all methods involve randomness, we repeat each experiment 10 times with different pseudo-random number generator seeds.

The results are presented in Figure 3, where we show, for each of the three methods, the risk of the parameter estimation as a function of budget used. Here the risk is defined as the loss between the true parameter  $\theta^*$  and the estimated mean of the posterior distribution. We first observe that the random sampling strategy has the worst risk among the three strategies, suggesting that optimizing the experiments to be made for parameter estimation outperforms a naive random choice of experiments. Second, and more importantly, we see that exploring only a single mode at each step of our Bayesian OED strategy leads to worse risks on average and more variations between replicates than exploring the parameter space around several modes. In particular, although sampling around a unique mode sometimes lead to good results, it also sometimes lead to very bad results and overall generates strategies hard to reproduce and trust. On the other hand, it is worth mentioning that in the case of multi-modal exploration, in 9

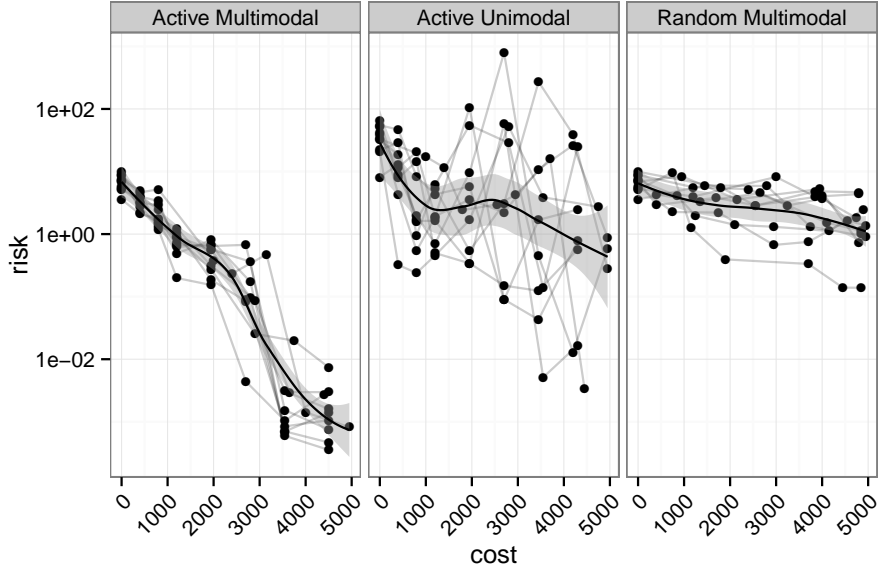


Figure 3: Comparison of risk evolution between different strategies on a subnetwork. The figure shows the true risk at each step of the procedure, *i.e.* the approximate posterior distribution is compared to the true underlying parameter which is unknown during the process. The risk is computed at the center of the posterior sample. The different lines represent 10 repeats of the design procedure given the same initial credit budget and the points represent experiment purchase. Active design is our strategy while random design consists in choosing experiments randomly. Multimodal means that we explore several modes, *i.e.* combine several Markov chain samples with different starting points. Unimodal means that we only consider one chain. The latest strategy leads to highly variable results. Our active strategy outperforms the random design, we choose experiments that leads to a better use of available credits, making it possible to perform more experiments at the end.

among 10 random restarts, the same set of experiments (8 among 50) was chosen in possibly different orders. The outlier curve in Figure 3 (left panel) corresponds to a simulation where only one experiment differs from the other simulations. In summary, this small experiments validates the relevance of our Bayesian OED strategy compared to random choice of experiment, and highlights the importance of carefully sampling the parameter space around multiple modes.

### 3.3 Results on the full DREAM7 network

To illustrate the behavior of our OED strategy in a more realistic context, we then apply it to the full network of Figure 2 following the setup of the DREAM7 challenge. At the beginning of the experiment, we already have at hand low resolution mRNA time courses for the wild type system. The first experiments chosen by the method are wild-type protein concentration time courses for all genes. The detailed list of purchased experiments is found in Annex A. . This makes sense since we have enormous uncertainty about proteins time courses, given that we do not know anything about them. Once these protein time series are purchased, the suggestion for the next experiment to carry out is illustrated in Table 1. Interestingly, the perturbations with the lowest risk are related to gene 7 which is on the top of the cascade (see Figure 2). Moreover it seemed obvious from Table 1 that we have to observe protein 8 concentration. Indeed, Figure 4 shows that there is a lot of uncertainty about protein 8 evolution when we remove gene 7.

Risk	Cost	Experiment	Observe proteins
771	1200	Delete gene 7	3-8
1196	850	Decrease gene 7 RBS activity	3-8
1290	750	Knock down gene 7	3-8
1957	850	Decrease gene 7 RBS activity	3-7
2254	850	Decrease gene 7 RBS activity	7-8
2554	1200	Delete gene 9	3-8
2867	750	Knock down gene 7	8-9
4647	1200	Delete gene 7	8-9
4798	850	Decrease gene 7 RBS activity	8-9
4928	850	Decrease gene 7 RBS activity	5-8

Table 1: Estimation of the expected risk at a certain stage of the experimentation, ten lowest values. There is consistency in the type of experiment to be conducted (targeting gene 7 which expression impacts on a big part of the network) and the quantities to measure (protein 8 almost all the time and protein 3 quite often). Figure 4 illustrates this point further.

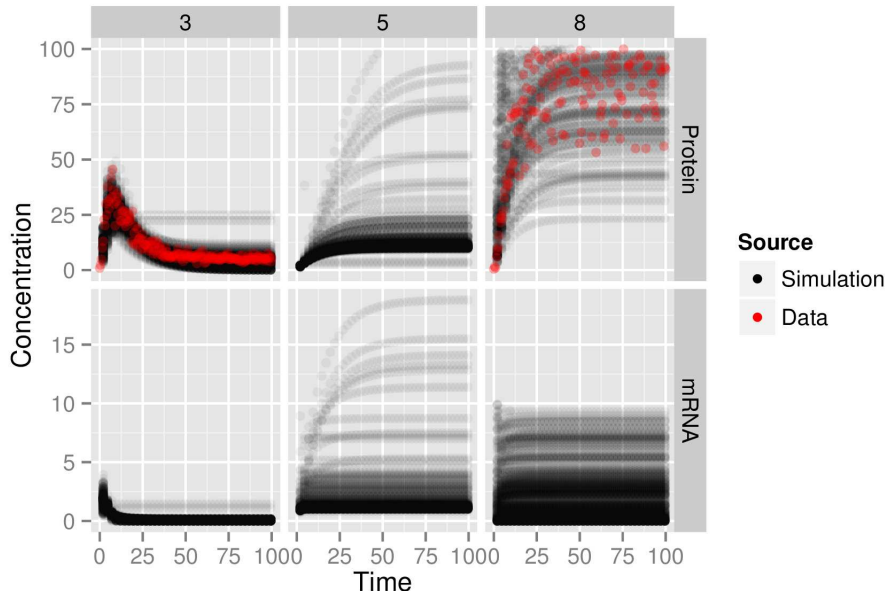


Figure 4: Corresponds to Table 1 figures. We plot trajectories from our posterior sample (protein 8 concentration was divided by 2 and we do not plot concentrations higher than 100). The quantities with the highest variability are protein 8 and 3 concentrations. This is consistent with the estimated risks in 1. There is quite a bit of uncertainty in protein 5 concentration, however this is related to protein 8 uncertainty as protein 8 is an inhibitor of protein 5. Moreover, mRNA concentration have much lower values and are not as informative as proteins concentrations. Red dots shows the data we purchased for this experiment after seeing these curve and in accordance with results in Table 1.

Moreover, our criterion determines that it is better to observe protein 3 than protein 5, which makes sense since the only protein which affects protein 5 evolution is protein 8 (see Figure 2). Therefore uncertainty about protein 5 time course is tightly linked to protein 8 time course, and observing protein 3 brings more information than observing protein 5. This might not be obvious when looking at the graph in Figure 4 and could not have been foreseen by a method

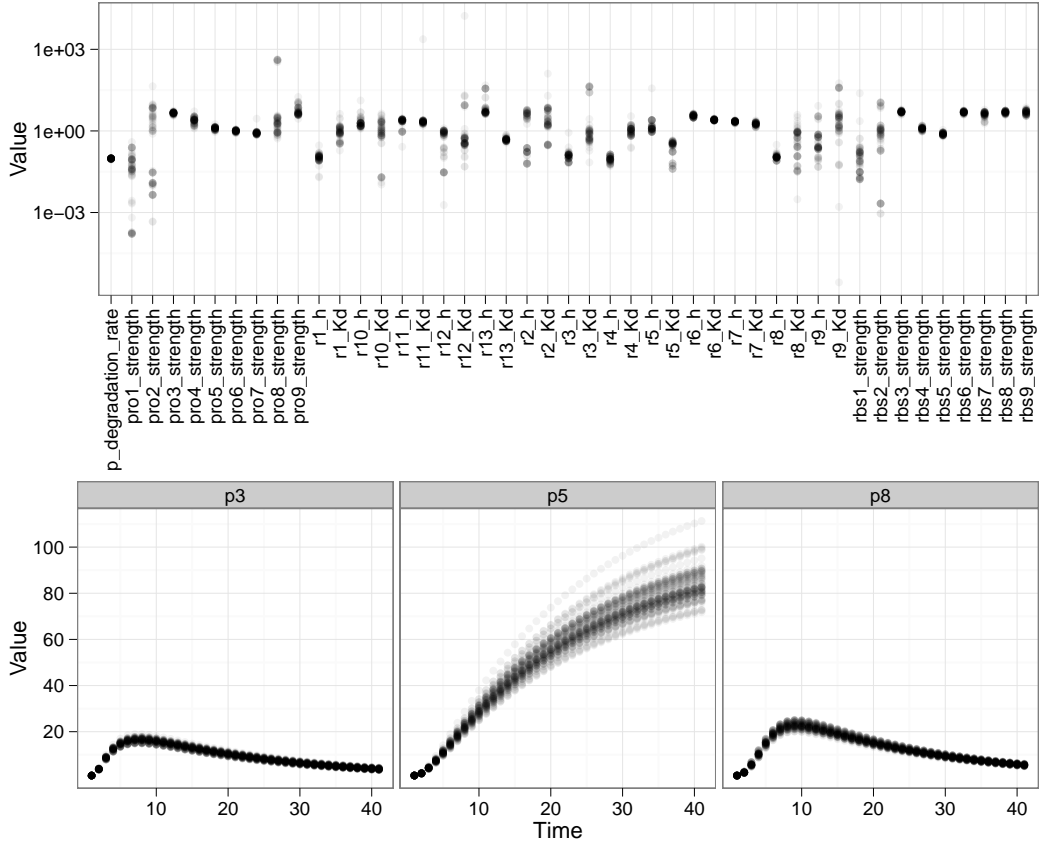


Figure 5: Comparison of parameter variability and time course trajectory variability. This is a sample from the posterior distribution after spending all the credits in the challenge. The top of the figure shows parameter values on log scale, while the bottom shows prediction of protein time courses for an unseen experiment. The range of some parameter values is very wide while all these very different values lead to very similar protein time course predictions.

that considers uncertainty about each protein independently. At this point, we purchase protein 3 and 8 time courses for gene 7 deletion experiment and highlight in red in Figure 4 the profiles of proteins 3 and 8 obtained from the system.

In addition to parameter estimation, one may be interested in the ability of the model with the inferred parameters to correctly simulate time series under different experimental conditions. Figure 5 represents a sample from the posterior distribution after all credits have been spent. In addition, the corresponding trajectories for the unseen experiment described in Annex A are shown. Both parameter values and protein time course for the unseen experiment are presented. Some parameters, like *p\_degradation\_rate* or *pro3\_strength*, clearly concentrate around a single value while others, like *pro1\_strength* or *pro2\_strength*, have very wide ranges with multiple accumulation points. Despite this variability in parameter values, the protein time course trajectories are very similar. It appears that protein 5 time course is less concentrated than the two others. This is due to the heteroscedasticity of the noise model which was reflected in the likelihood. Indeed, the noise model is Gaussian with standard deviation increasing with the value of the corresponding concentration. Higher concentrations are harder to estimate due to larger noise standard deviation.

## 4 Discussion

Computational systems biology increasingly relies on the heavy use of computational resources to improve the understanding of the complexity underlying cell biology. A widespread approach in computational systems biology is to specify a dynamical model of the biological process under investigation based on biochemical knowledge, and consider that the real system follows the same dynamics for some kinetic parameter values. Recent reports suggest that this has benefits in practical applications (*e.g.* [26]). Systematic implementations of the approach requires to deal with the fact that most kinetic parameters are often unknown, raising the issue of estimating these parameters from experimental data as efficiently as possible. An obvious sanity check is to recover kinetic parameters from synthetic data where dynamic and noise model are well specified, which is already quite a challenge.

In this paper we proposed a new general Bayesian OED strategy, and illustrated its relevance on an *in silico* biological network. The method takes advantage of the Bayesian framework to sequentially choose experiments to be performed, in order to estimate these parameters subject to cost constraints. The method relies on a single numerical criterion and does not depend on a specific instance of this problem. This is in our opinion a key point in order to reproducibly be able to deal with large scale networks of size comparable to of a cell for example. Experimental results suggest that the strategy has the potential to support experimental design in systems biology.

As noted by others [8, 11, 4, 23, 38], the approach focusing on kinetic parameter estimation is questionable. We also give empirical evidence that very different parameter values can produce very similar dynamical behaviors, potentially leading to non-identifiability issues. Moreover, focusing on parameter estimation supposes that the dynamical model represents the true underlying chemical process. In some cases, this might simply be false. For example, hypotheses underlying the law of mass action are not satisfied in the gene transcription process. However, simplified models might still be good proxies to characterize dynamical behaviors we are interested in. The real problem of interest is often to reproduce the dynamics of a system in terms of observable quantities, and to predict the system behavior for unseen manipulations. Parameters can be treated as latent variables which impact the dynamics of the system but cannot be observed. In this framework, the Bayesian formalism described here is well suited to tackle the problem of experimental design.

The natural continuity of this work is to adapt the method to treat larger problems. This raises computational issues and requires to develop numerical methods that scale well with the size of the problem. The main bottlenecks are the cost of simulating large dynamical systems, and the need for large sample size in higher dimension for accurate posterior estimation. Posterior estimation in high dimensions is known to be hard and is an active subject of research. We compared two sampling strategies for a toy problem with 3 genes, and observed important differences in performance between them. In particular, we observed that the common approach which uses a single parameter estimate and measures dispersion of the likelihood around it does not lead to consistently reproducible results. Although our Bayesian OED criterion is independent of the model investigated, it is likely that a good sampling strategy to implement may benefit from specific tuning in order to perform well on specific problem instances. As for reducing the computational burden of simulating large dynamical systems, promising research directions are parameter estimation methods that do not involve dynamical system simulation such as [12] or differential equation simulation methods that take into account both parameter uncertainty and numerical uncertainty such as the probabilistic integrator of [16].

## 5 Acknowledgements

The authors would like to thank Gautier Stoll for insightful discussions. This work was supported by the European Research Council (SMAC-ERC-280032). Most of this work was carried out during EP's PhD at Mines ParisTech.

## 6 Data and source code

R packaged data and code to reproduce the simulation on the small network is available at <http://cbio.ensmp.fr/~epauwels/bed.1.0.tar.gz>

## References

- [1] Dialogue for reverse engineering assessments and methods (DREAM) website. <http://www.the-dream-project.org>. Accessed 2013-12-28.
- [2] Dream6 estimation of model parameters challenge website. <http://www.the-dream-project.org/challenges/dream6-estimation-model-parameters-challenge>. Accessed 2013-12-28.
- [3] Dream7 estimation of model parameters challenge website. <http://www.the-dream-project.org/challenges/network-topology-and-parameter-inference-challenge>. Accessed 2013-12-28.
- [4] P. Achard and E. De Schutter. Complex parameter landscape for a complex neuron model. *PLoS Comput Biol*, 2(7):e94, Jul 2006.
- [5] C. Andrieu, N. De Freitas, A. Doucet, and M. I. Jordan. An introduction to MCMC for machine learning. *Machine learning*, 50(1-2):5–43, 2003.
- [6] S. Bandara, J. P. Schlöder, R. Eils, H. G. Bock, and T. Meyer. Optimal experimental design for parameter estimation of a cell signaling model. *PLoS Comput Biol*, 5(11):e1000558, Nov 2009.
- [7] E. Barillot, L. Calzone, P. Hupé, J-P. Vert, and A. Zynoviev. *Computational systems biology of cancer*. Chapman & Hall/CRC, 2012.
- [8] D. Battogtokh, D. K. Asch, M. E. Case, J. Arnold, and H-B. Schuttler. An ensemble method for identifying regulatory circuits with special reference to the qa gene cluster of *neurospora crassa*. *Proc Natl Acad Sci U S A*, 99(26):16904–16909, Dec 2002.
- [9] P. Bogacki and L. F. Shampine. A 3(2) pair of Runge - Kutta formulas. *Applied Mathematics Letters*, 2:321–325, 1989.
- [10] K. S. Brown, C. C. Hill, G. A. Calero, C. R. Myers, K. H. Lee, J. P. Sethna, and R. A. Cerione. The statistical mechanics of complex signaling networks: nerve growth factor signaling. *Phys Biol*, 1(3-4):184–195, Dec 2004.
- [11] K. S. Brown and J. P. Sethna. Statistical mechanical approaches to models with many poorly known parameters. *Phys. Rev. E*, 68:021904, 2003.
- [12] B. Calderhead, M. Girolami, and N. D. Lawrence. Accelerating Bayesian inference over nonlinear differential equations with Gaussian processes. In *Adv. Neural. Inform. Process Syst.*, pages 217–224, 2008.

- [13] F. P. Casey, D. Baird, Q. Feng, R. N. Gutenkunst, J. J. Waterfall, C. R. Myers, K. S. Brown, R. A. Cerione, and J. P. Sethna. Optimal experimental design in an epidermal growth factor receptor signalling and down-regulation model. *IET Syst Biol*, 1(3):190–202, May 2007.
- [14] K. Chaloner and I. Verdinelli. Bayesian experimental design: a review. *Statistical Science*, 10(3):273–304, 1995.
- [15] K. C. Chen, A. Csikasz-Nagy, B. Gyorffy, J. Val, B. Novak, and J. J. Tyson. Kinetic analysis of a molecular model of the budding yeast cell cycle. *Mol Biol Cell*, 11(1):369–391, Jan 2000.
- [16] O. Chkrebtii, D. A. Campbell, M. A. Girolami, and B. Calderhead. Bayesian uncertainty quantification for differential equations. Technical Report 1306.2365, arXiv, 2013.
- [17] K.-H. Cho, S.-Y. Shin, W. Kolch, and O. Wolkenhauer. Experimental design in systems biology, based on parameter sensitivity analysis using a monte carlo method: A case study for the TNF $\alpha$ -mediated NF- $\kappa$ B signal transduction pathway. *Simulation*, 79(12):726–739, 2003.
- [18] D. Faller, U. Klingmüller, and J. Timmer. Simulation methods for optimal experimental design in systems biology. *Simulation*, 79:717–725, 2003.
- [19] X.-J. Feng and H. Rabitz. Optimal identification of biochemical reaction networks. *Biophys J*, 86(3):1270–1281, Mar 2004.
- [20] D. Fernández Slezak, C. Suárez, G. A. Cecchi, G. Marshall, and G. Stolovitzky. When the optimal is not the best: parameter estimation in complex biological models. *PLoS One*, 5(10):e13283, 2010.
- [21] M. Fussenegger, J. Bailey, and J. Varner. A mathematical model of caspase function in apoptosis. *Nat. Biotechnol.*, 18:768–774, 2000.
- [22] K. G. Gadkar, R. Gunawan, and F. J. Doyle, 3rd. Iterative approach to model identification of biological networks. *BMC Bioinformatics*, 6:155, 2005.
- [23] R. N. Gutenkunst, J. J. Waterfall, F. P. Casey, K. S. Brown, C. R. Myers, and J. P. Sethna. Universally sloppy parameter sensitivities in systems biology models. *PLoS Comput Biol*, 3(10):1871–1878, Oct 2007.
- [24] A. Hoffmann, A. Levchenko, M. L. Scott, and D. Baltimore. The  $\kappa$ b-nf- $\kappa$ b signaling module: temporal control and selective gene activation. *Science*, 298(5596):1241–1245, Nov 2002.
- [25] K. Jaqaman and G. Danuser. Linking data to models: data regression. *Nat Rev Mol Cell Biol*, 7(11):813–819, Nov 2006.
- [26] J. R. Karr, J. C. Sanghvi, D. N. Macklin, M. V. Gutschow, J. M. Jacobs, B. Bolival, N. Assad-Garcia, J. I. Glass, and M. W. Covert. A whole-cell computational model predicts phenotype from genotype. *Cell*, 150(2):389–401, Jul 2012.
- [27] H. Kitano. Computational systems biology. *Nature*, 420:206–210, 2002.
- [28] A. Kramer and N. Radde. Towards experimental design using a bayesian framework for parameter identification in dynamic intracellular network models. *Procedia Comput. Sci.*, 1(1):1645–1653, 2010.

- [29] A. Kremling, S. Fischer, K. Gadkar, F. J. Doyle, T. Sauter, E. Bullinger, F. Allgöwer, and E. D. Gilles. A benchmark for methods in reverse engineering and model discrimination: problem formulation and solutions. *Genome Res*, 14(9):1773–1785, Sep 2004.
- [30] C. Kreutz and J. Timmer. Systems biology: experimental design. *FEBS J*, 276(4):923–942, Feb 2009.
- [31] Z. Kutalik, K.-H. Cho, and O. Wolkenhauer. Optimal sampling time selection for parameter estimation in dynamic pathway modeling. *Biosystems*, 75(1-3):43–55, Jul 2004.
- [32] J. Liepe, S. Filippi, M. Komorowski, and M. P. H. Stumpf. Maximizing the information content of experiments in systems biology. *PLoS Comput Biol*, 9(1):e1002888, 2013.
- [33] D. V. Lindley. On a measure of the information provided by an experiment. *Ann. Math. Statist.*, 27(4):986–1005, 1956.
- [34] T. Lipniacki, P. Paszek, A. R. Brasier, B. Luxon, and M. Kimmel. Mathematical model of nf-kappab regulatory module. *J Theor Biol*, 228(2):195–215, May 2004.
- [35] P. Mendes and D. Kell. Non-linear optimization of biochemical pathways: applications to metabolic engineering and parameter estimation. *Bioinformatics*, 14(10):869–883, 1998.
- [36] C. G. Moles, P. Mendes, and J. R. Banga. Parameter estimation in biochemical pathways: a comparison of global optimization methods. *Genome Res*, 13(11):2467–2474, Nov 2003.
- [37] J. Nocedal and S. Wright. *Numerical optimization*. Springer, 2006.
- [38] M. Piazza, X.-J. Feng, J. D. Rabinowitz, and H. Rabitz. Diverse metabolic model parameters generate similar methionine cycle dynamics. *J Theor Biol*, 251(4):628–639, Apr 2008.
- [39] N. Roy and A. McCallum. Toward optimal active learning through sampling estimation of error reduction. In *Proceedings of the Eighteenth International Conference on Machine Learning*, pages 441–448, San Francisco, CA, USA, 2001. Morgan Kaufmann Publishers Inc.
- [40] B. Schoeberl, C. Eichler-Jonsson, E. D. Gilles, and G. Müller. Computational modeling of the dynamics of the map kinase cascade activated by surface and internalized egf receptors. *Nat Biotechnol*, 20(4):370–375, Apr 2002.
- [41] Karline Soetaert, Thomas Petzoldt, and R Woodrow Setzer. Solving differential equations in R: Package deSolve. *Journal of Statistical Software*, 33(9):1–25, 2010.
- [42] B. Steiert, A. Raue, J. Timmer, and C. Kreutz. Experimental design for parameter estimation of gene regulatory networks. *PLoS One*, 7(7):e40052, 2012.
- [43] M. K. Transtrum and P. Qiu. Optimal experiment selection for parameter estimation in biological differential equation models. *BMC Bioinformatics*, 13:181, 2012.
- [44] John J. Tyson, Katherine C. Chen, and Bela Novak. Sniffers, buzzers, toggles and blinkers: dynamics of regulatory and signaling pathways in the cell. *Curr Opin Cell Biol*, 15(2):221–231, Apr 2003.
- [45] J. Vanlier, C. A. Tiemann, P A J. Hilbers, and N A W. van Riel. A bayesian approach to targeted experiment design. *Bioinformatics*, 28(8):1136–1142, Apr 2012.



- [46] J. J. Waterfall, F. P. Casey, R. N. Gutenkunst, K. S. Brown, C. R. Myers, P. W. Brouwer, V. Elser, and J. P. Sethna. Sloppy-model universality class and the Vandermonde matrix. *Phys Rev Lett*, 97(15):150601, Oct 2006.
- [47] P. Weber, A. Kramer, C. Dingler, and N. Radde. Trajectory-oriented bayesian experiment design versus Fisher A-optimal design: an in depth comparison study. *Bioinformatics*, 28(18):i535–i541, Sep 2012.
- [48] D. J. Wilkinson. Stochastic modelling for quantitative description of heterogeneous biological systems. *Nat Rev Genet*, 10(2):122–133, Feb 2009.

## Annex A: DREAM7 network description

### Kinetics

The complete network description and implementations of integrators to simulate its dynamics are available from [3]. The dynamical equations governing the evolution of time concentration are as follows, where the names of the different variables are represented in Figure 2.

$$\begin{aligned}
[\text{as1}] &= \frac{\left(\frac{[\text{p1}]}{r_{1\text{Kd}}}\right)^{r_{1\text{h}}}}{1 + \left(\frac{[\text{p1}]}{r_{1\text{Kd}}}\right)^{r_{1\text{h}}}} & [\text{as9}] &= \frac{\left(\frac{[\text{p6}]}{r_{11\text{Kd}}}\right)^{r_{11\text{h}}}}{1 + \left(\frac{[\text{p6}]}{r_{11\text{Kd}}}\right)^{r_{11\text{h}}}} \\
[\text{as2}] &= \frac{\left(\frac{[\text{p1}]}{r_{2\text{Kd}}}\right)^{r_{2\text{h}}}}{1 + \left(\frac{[\text{p1}]}{r_{2\text{Kd}}}\right)^{r_{2\text{h}}}} & [\text{rs1a}] &= \frac{1}{1 + \left(\frac{[\text{p2}]}{r_{4\text{Kd}}}\right)^{r_{4\text{h}}}} \\
[\text{as3}] &= \frac{\left(\frac{[\text{p4}]}{r_{5\text{Kd}}}\right)^{r_{5\text{h}}}}{1 + \left(\frac{[\text{p4}]}{r_{5\text{Kd}}}\right)^{r_{5\text{h}}}} & [\text{rs1b}] &= \frac{1}{1 + \left(\frac{[\text{p6}]}{r_{8\text{Kd}}}\right)^{r_{8\text{h}}}} \\
[\text{as5}] &= \frac{\left(\frac{[\text{p8}]}{r_{13\text{Kd}}}\right)^{r_{13\text{h}}}}{1 + \left(\frac{[\text{p8}]}{r_{13\text{Kd}}}\right)^{r_{13\text{h}}}} & [\text{rs2}] &= \frac{1}{1 + \left(\frac{[\text{p3}]}{r_{3\text{Kd}}}\right)^{r_{3\text{h}}}} \\
[\text{as6}] &= \frac{\left(\frac{[\text{p9}]}{r_{9\text{Kd}}}\right)^{r_{9\text{h}}}}{1 + \left(\frac{[\text{p9}]}{r_{9\text{Kd}}}\right)^{r_{9\text{h}}}} & [\text{rs3}] &= \frac{1}{1 + \left(\frac{[\text{p5}]}{r_{7\text{Kd}}}\right)^{r_{7\text{h}}}} \\
[\text{as7}] &= \frac{\left(\frac{[\text{p6}]}{r_{12\text{Kd}}}\right)^{r_{12\text{h}}}}{1 + \left(\frac{[\text{p6}]}{r_{12\text{Kd}}}\right)^{r_{12\text{h}}}} & [\text{rs7}] &= \frac{1}{1 + \left(\frac{[\text{p7}]}{r_{6\text{Kd}}}\right)^{r_{6\text{h}}}} \\
& & [\text{rs8}] &= \frac{1}{1 + \left(\frac{[\text{p9}]}{r_{10\text{Kd}}}\right)^{r_{10\text{h}}}}
\end{aligned}$$

$$\begin{aligned}
[\text{g1}] &= [\text{as1}] \cdot [\text{rs1a}] \cdot [\text{rs1b}] \\
[\text{g2}] &= [\text{as2}] \cdot [\text{rs2}] \\
[\text{g3}] &= [\text{as3}] \cdot [\text{rs3}] \\
[\text{g4}] &= [\text{as4}] \cdot [\text{rs4}] \\
[\text{g5}] &= [\text{as5}] \\
[\text{g6}] &= 1 \\
[\text{g7}] &= [\text{as7}] \cdot [\text{rs7}]
\end{aligned}$$

$$\begin{aligned}
[g8] &= [rs8] \\
[g9] &= [as9] \\
\frac{d([p1])}{dt} &= rbs1_{strength} \cdot [v1_{mrna}] - p1_{degradationRate} \cdot [p1] \\
\frac{d([p1])}{dt} &= rbs1_{strength} \cdot [v1_{mrna}] - p1_{degradationRate} \cdot [p1] \\
\frac{d([p2])}{dt} &= rbs2_{strength} \cdot [v2_{mrna}] - p2_{degradationRate} \cdot [p2] \\
\frac{d([p3])}{dt} &= rbs3_{strength} \cdot [v3_{mrna}] - p3_{degradationRate} \cdot [p3] \\
\frac{d([p4])}{dt} &= rbs4_{strength} \cdot [v4_{mrna}] - p4_{degradationRate} \cdot [p4] \\
\frac{d([p5])}{dt} &= rbs5_{strength} \cdot [v5_{mrna}] - p5_{degradationRate} \cdot [p5] \\
\frac{d([p6])}{dt} &= rbs6_{strength} \cdot [v6_{mrna}] - p6_{degradationRate} \cdot [p6] \\
\frac{d([p7])}{dt} &= rbs8_{strength} \cdot [v7_{mrna}] - p7_{degradationRate} \cdot [p7] \\
\frac{d([p8])}{dt} &= rbs7_{strength} \cdot [v8_{mrna}] - p8_{degradationRate} \cdot [p8] \\
\frac{d([p9])}{dt} &= rbs9_{strength} \cdot [v9_{mrna}] - p9_{degradationRate} \cdot [p9] \\
\frac{d([v1_{mrna}])}{dt} &= pro1_{strength} \cdot [g1] - v1_{mrna}DegradationRate \cdot [v1_{mrna}] \\
\frac{d([v2_{mrna}])}{dt} &= pro2_{strength} \cdot [g2] - v2_{mrna}DegradationRate \cdot [v2_{mrna}] \\
\frac{d([v3_{mrna}])}{dt} &= pro3_{strength} \cdot [g3] - v3_{mrna}DegradationRate \cdot [v3_{mrna}] \\
\frac{d([v4_{mrna}])}{dt} &= pro4_{strength} \cdot [g4] - v4_{mrna}DegradationRate \cdot [v4_{mrna}] \\
\frac{d([v5_{mrna}])}{dt} &= pro5_{strength} \cdot [g5] - v5_{mrna}DegradationRate \cdot [v5_{mrna}] \\
\frac{d([v6_{mrna}])}{dt} &= pro6_{strength} \cdot [g6] - v6_{mrna}DegradationRate \cdot [v6_{mrna}] \\
\frac{d([v7_{mrna}])}{dt} &= pro7_{strength} \cdot [g9] - v7_{mrna}DegradationRate \cdot [v7_{mrna}] \\
\frac{d([v8_{mrna}])}{dt} &= pro9_{strength} \cdot [g7] - v8_{mrna}DegradationRate \cdot [v8_{mrna}] \\
\frac{d([v9_{mrna}])}{dt} &= pro8_{strength} \cdot [g8] - v9_{mrna}DegradationRate \cdot [v9_{mrna}]
\end{aligned}$$

With kinetic variables

$$\begin{aligned}
&[p1], [p2], [p3], [p4], [p5], [p6], [p7], [p8], [p9] \\
&[v1_{mrna}], [v2_{mrna}], [v3_{mrna}], [v4_{mrna}], [v5_{mrna}], [v6_{mrna}], [v7_{mrna}], [v8_{mrna}], [v9_{mrna}],
\end{aligned}$$

And kinetic parameters

$v1_{\text{mrnaDegradationRate}}$	$p8_{\text{degradationRate}}$	$rb7_{\text{strength}}$
$v2_{\text{mrnaDegradationRate}}$	$pro1_{\text{strength}}$	$rb8_{\text{strength}}$
$v7_{\text{mrnaDegradationRate}}$	$pro2_{\text{strength}}$	$rb9_{\text{strength}}$
$v6_{\text{mrnaDegradationRate}}$	$pro3_{\text{strength}}$	$r1_{\text{Kd}}, r1_{\text{h}}$
$v5_{\text{mrnaDegradationRate}}$	$pro4_{\text{strength}}$	$r2_{\text{Kd}}, r2_{\text{h}}$
$v6_{\text{mrnaDegradationRate}}$	$pro5_{\text{strength}}$	$r3_{\text{Kd}}, r3_{\text{h}}$
$v7_{\text{mrnaDegradationRate}}$	$pro6_{\text{strength}}$	$r4_{\text{Kd}}, r4_{\text{h}}$
$v8_{\text{mrnaDegradationRate}}$	$pro7_{\text{strength}}$	$r5_{\text{Kd}}, r5_{\text{h}}$
$v9_{\text{mrnaDegradationRate}}$	$pro8_{\text{strength}}$	$r6_{\text{Kd}}, r6_{\text{h}}$
$p1_{\text{degradationRate}}$	$pro9_{\text{strength}}$	$r7_{\text{Kd}}, r6_{\text{h}}$
$p2_{\text{degradationRate}}$	$rb1_{\text{strength}}$	$r8_{\text{Kd}}, r7_{\text{h}}$
$p3_{\text{degradationRate}}$	$rb2_{\text{strength}}$	$r9_{\text{Kd}}, r9_{\text{h}}$
$p4_{\text{degradationRate}}$	$rb3_{\text{strength}}$	$r10_{\text{Kd}}, r10_{\text{h}}$
$p5_{\text{degradationRate}}$	$rb4_{\text{strength}}$	$r11_{\text{Kd}}, r11_{\text{h}}$
$p6_{\text{degradationRate}}$	$rb5_{\text{strength}}$	$r12_{\text{Kd}}, r12_{\text{h}}$
$p7_{\text{degradationRate}}$	$rb6_{\text{strength}}$	$r13_{\text{Kd}}, r13_{\text{h}}$
$p9_{\text{degradationRate}}$		

Among them, we suppose that we have

$$\begin{aligned}
&v1_{\text{mrnaDegradationRate}} = v2_{\text{mrnaDegradationRate}} = v3_{\text{mrnaDegradationRate}} \\
&= v4_{\text{mrnaDegradationRate}} = v5_{\text{mrnaDegradationRate}} = v6_{\text{mrnaDegradationRate}} \\
&= v7_{\text{mrnaDegradationRate}} = v8_{\text{mrnaDegradationRate}} = v9_{\text{mrnaDegradationRate}} \\
&= 1,
\end{aligned}$$

and

$$\begin{aligned}
&p1_{\text{degradationRate}} = p2_{\text{degradationRate}} = p3_{\text{degradationRate}} \\
&= p4_{\text{degradationRate}} = p5_{\text{degradationRate}} = p6_{\text{degradationRate}} \\
&= p7_{\text{degradationRate}} = p8_{\text{degradationRate}} = p9_{\text{degradationRate}}.
\end{aligned}$$

This makes a total of 45 parameters governing the behaviour of 18 kinetic variables.

## Description of the experimental cost and challenge experimental plan

<b>Perturbation</b>	<b>Cost</b>	<b>Concentration to observe</b>	<b>Cost</b>
Wildtype (no perturbation)	0	Two proteins (Resolution: 0.5s)	300
Gene knockdown (mrna degradation rate $\times 10$ )	350	All mrna (Resolution: 4s)	500
Decrease ribosomal activity (ribosomal strength /10)	450	All mrna (Resolution: 2s)	1000
Delete gene (mrna and protein concentration = 0)	800		

Table 2: Description of the cost. Each participant begins with a 10000 initial credit budget. The cost of each experiment was the sum of the costs of the corresponding molecular perturbation and quantity to observe. Molecular perturbations could be performed on any of the genes.

<b>Perturbation</b>	<b>Observation</b>
Wildtype	mrna low resolution (free)
Wildtype	pairwise protein time course for all proteins
Delete gene 7	Protein 3 and 8
Decrease ribosomal strength gene 9	All mrna at high resolution
Knockdown gene 7	Protein 8 and 9
Knockdown gene 6	Protein 3 and 8
Knockdown gene 4	Protein 3 and 7
Decrease ribowomal strength gene 6	All mrna at high resolution
Delete gene 9	Protein 2 and 3

Table 3: Successive experiments performed during the challenge.

<b>Perturbation</b>	<b>Observation</b>
Divide $r9_{Kd}$ by 10	Proteins 3, 5 and 8
Multiply $rbs3_{strength}$ by 2	0.5s time resolution
Multiply $rbs3_{strength}$ by 10	from $t = 0$ to $t = 20$

Table 4: Unseen experiment.