



HAL
open science

A new multipath mitigation method for GNSS receivers based on antenna array

Sébastien Rougerie, Guillaume Carrie, François Vincent, Lionel Ries, Michel
Monnerat

► **To cite this version:**

Sébastien Rougerie, Guillaume Carrie, François Vincent, Lionel Ries, Michel Monnerat. A new multipath mitigation method for GNSS receivers based on antenna array. *International Journal of Navigation and Observation*, 2012, vol. 2012, 10.1155/2012/804732 . hal-00825463

HAL Id: hal-00825463

<https://hal.science/hal-00825463>

Submitted on 23 May 2013

HAL is a multi-disciplinary open access archive for the deposit and dissemination of scientific research documents, whether they are published or not. The documents may come from teaching and research institutions in France or abroad, or from public or private research centers.

L'archive ouverte pluridisciplinaire **HAL**, est destinée au dépôt et à la diffusion de documents scientifiques de niveau recherche, publiés ou non, émanant des établissements d'enseignement et de recherche français ou étrangers, des laboratoires publics ou privés.



Open Archive Toulouse Archive Ouverte (OATAO)

OATAO is an open access repository that collects the work of Toulouse researchers and makes it freely available over the web where possible.

This is an author-deposited version published in: <http://oatao.univ-toulouse.fr/>
Eprints ID: 9048

To link to this article: DOI: 10.1155/2012/804732

URL: <http://dx.doi.org/10.1155/2012/804732>

To cite this version: Rougerie, Sébastien and Carrie, Guillaume and Vincent, François and Ries, Lionel and Monnerat, Michel *A new multipath mitigation method for GNSS receivers based on antenna array*. (2012) International Journal of Navigation and Observation, vol. 2012. ISSN 1687-5990

Any correspondence concerning this service should be sent to the repository administrator: staff-oatao@inp-toulouse.fr

Research Article

A New Multipath Mitigation Method for GNSS Receivers Based on an Antenna Array

Sébastien Rougerie,^{1,2,3} Guillaume Carrié,² François Vincent,⁴ Lionel Ries,¹ and Michel Monnerat³

¹ CNES—The French Space Agency, Navigation/Localization Signal & Equipment Department, 18 Avenue Edouard Belin, 31401 Toulouse Cedex 9, France

² ONERA—The French Aerospace Lab ONERA, DEMR Department, 2 Avenue Edouard Belin, 31000 Toulouse, France

³ Thales Alenia Space, BS Navigation & Integrated Communication, 26 Avenue Jean-François Champollion, 31037 Toulouse, France

⁴ Institut Supérieur de L'Aéronautique et de l'Espace ISAE, DEOS Department, 10 Avenue Edouard Belin, 31055 Toulouse Cedex 4, France

Correspondence should be addressed to Sébastien Rougerie, sebastien.rougerie@hotmail.fr

Received 4 November 2011; Revised 29 February 2012; Accepted 21 March 2012

Academic Editor: Pau Closas

Copyright © 2012 Sébastien Rougerie et al. This is an open access article distributed under the Creative Commons Attribution License, which permits unrestricted use, distribution, and reproduction in any medium, provided the original work is properly cited.

The well-known Space-Alternating Generalized Expectation Maximisation (SAGE) algorithm has been recently considered for multipath mitigation in Global Navigation Satellite System (GNSS) receivers. However, the implementation of SAGE in a GNSS receiver is a challenging issue due to the numerous number of parameters to be estimated and the important size of the data to be processed. A new implementation of the SAGE algorithm is proposed in this paper in order to reach the same efficiency with a reduced complexity. This paper focuses on the trade-off between complexity and performance thanks to the Cramer Rao bound derivation. Moreover, this paper shows how the proposed algorithm can be integrated with a classical GNSS tracking loop. This solution is thus a very promising approach for multipath mitigation.

1. Introduction

In Global Navigation Satellite System (GNSS) applications, multipath (MP) errors are still one of the major error sources for conventional receivers. The additional signal replicas due to reflections on the local environment introduce a bias in the delay lock loops (DLLs), which finally leads to a positioning error [1, 2]. Several techniques have been developed for multipath mitigation. One of the most popular approaches is the Narrow Correlator Spacing [3], which reduces the chip spacing between the early and late correlators in order to mitigate the impact of multipath. However, this technique suffers from high sensitivity to noise and cannot perform with short delay multipath (<0.1 chip). Based on the Maximum Likelihood (ML) estimation, the Multipath Estimating Delay-Lock-Loop (MEDLL) [4] algorithm has also been proposed to estimate the delay and the power of all the paths by studying the shape of the cross-correlation function. This

approach shows better performances than the Narrow Correlator Spacing technique, but short delay multipath mitigation is still an issue [4]. More recently, Bayesian approaches have been proposed [5–7]. Indeed, most of the time, prior information could be used in order to improve the delays estimations. However in practice, it is difficult to get correct prior information. Measurement campaigns can be used to build a first-order Markov process for a sequential estimation, but the performance will consequently be strongly dependent on the measured environment (design of the city...).

Last, the use of array antenna algorithms has been proposed for multipath mitigation [8, 9]. Array antennae enable a spatial sampling that makes it possible to distinguish different sources in the spatial domain. Therefore, mitigation techniques based on such an array are independent of the relative delays of the MP. Consequently, the rejection of any kind of MP seems possible (and especially short-time delay MP).

In conventional mobile receivers, the room available to incorporate an array antenna is reduced. Only a small number of elements can be integrated. This study will focus on a square 2×2 elements antenna. The choice of the shape of the array antenna is out of the scope of this paper, and we will only focus on the array processing.

Using appropriate weights on each channel, beamforming technics perform a spatial filtering in order to concentrate the energy beam towards the signal of interest, while trying to minimise the gain towards the interferences. However, in the MP mitigation context, these classical approaches present limited performances for the following reasons [10].

- (i) Near angle signals are difficult to separate because of the low antenna resolution [10, 11].
- (ii) Line-of-sight signal (LOSS) and multipaths are strongly correlated, which implies a severe degradation of adaptive beamforming algorithms.
- (iii) Adaptive algorithms should operate after the correlation step in order to work with positive SNR signals. That implies that only a small number of samples are available to estimate the array covariance matrix. Bad covariance matrix estimation can lead to inversion or eigenvalues decomposition instabilities.

To overcome these problems, several solutions have been proposed. In [12, 13], for example, the authors propose to use additional Choke ring techniques, GPS microstrip array antenna, and/or angle constraint for negative elevation in order to reject ground multipaths. However, for a generic application, we cannot assume any specific MP DOA.

In order to improve the MP mitigation, another approach proposes to include the different DOA paths parameters in the estimation procedure [10, 14–18]. In other words, we estimate a set of parameters (amplitudes, times/delays, Doppler shifts, elevations, and azimuths) for all the incoming sources. The main difference with the beamforming approach is that, instead of filtering the sources in the spatial domain only, the different incoming paths are jointly identified in the space, time, and frequency domains. In order to estimate the parameters of all impinging signals, the Space Alternating Generalized Expectation Maximisation (SAGE) algorithm [16], which is a low-complexity generalization of the Maximum Likelihood (ML) algorithm, has been considered. The SAGE algorithm is usually used in communication systems [16], but the potential of SAGE in a navigation context has also been proven [17, 18]. Nevertheless, the computational cost increases due to the number of unknown parameters. Moreover, the memory size is also a challenging issue. Thus, the SAGE algorithm can hardly be directly implemented in real time for GNSS receivers. Last, the SAGE algorithm provides an estimation of the time delay and phase of the LOSS, as do the DLL and PLL (Phase Lock Loop). Thus, the use of SAGE implies to switch off the DLL/PLL, and, consequently, we lose the “smoothing effect” of the tracking loops.

In order to reach the efficiency of the SAGE algorithm with a reduced complexity, and to keep the compatibility with conventional GNSS tracking loops (DLL/PLL), we

proposed a new implementation of SAGE in [10]. The main idea is to apply the SAGE algorithm after the local correlation step. Indeed, the cross-correlation between the received signal and the local code can be seen as a compression step of the baseband signal. Thus, by reducing the size of the input signal, the complexity of the algorithm will reduce in the same proportion. By applying the ML estimation on the postcorrelated signal, we estimate the relative delay and Doppler of the paths. These estimations are then used to drive the GNSS tracking loops. We named this new algorithm the SAGE/STAP multicorrelator algorithm.

Comparisons based on Monte Carlo simulations between the SAGE/STAP algorithm, the SAGE algorithm, and beamformers have been done in [10]. This paper focuses on the Cramer Rao Bound (CRB) derivation in order to present the theoretical trade-off between the complexity reduction and the estimation accuracy of the SAGE/STAP algorithm. Moreover, this paper presents an implementation of the proposed algorithm hybridized with the GNSS tracking loops

This paper is organized as follows. The signal model and the main assumptions are outlined in Section 2. A review of the SAGE algorithm, the SAGE/STAP multicorrelator algorithm, and its implementation in a GNSS receiver is given in Section 3. The simulation results in Section 4 show the trade-off between the complexity and the accuracy of the SAGE/STAP multicorrelator algorithm and present the performances of the proposed algorithm in realistic scenarios. Finally, in Section 5 we present our conclusions.

2. Signal Model

Let us assume that we receive L narrowband planar wave fronts of wavelength λ on an array of M isotropic sensors. The M -sized vectorized received signal, $\mathbf{z}(t)$, can be written as

$$\mathbf{z}(t) = \sum_{l=0}^{L-1} \mathbf{s}_l(t, \psi_l) + \mathbf{n}(t), \quad (1)$$

where $\mathbf{s}_l(t, \psi_l)$ is given by

$$\mathbf{s}_l(t, \psi_l) = \gamma_l \mathbf{a}(\theta_l, \varphi_l) \exp(2j\pi\nu_l t) c(t - \tau_l), \quad (2)$$

and $\mathbf{n}(t) \sim N(0, \sigma_n^2 \mathbf{I}_M)$ is an additional complex white Gaussian noise. Let us note that L the number of incoming paths (LOSS included) and $\psi_l = [\gamma_l, \theta_l, \varphi_l, \tau_l, \nu_l]^T$ are, respectively, the complex amplitude, elevation, azimuth, time delay, and Doppler shift of the l th path. Note that the index $l = 0$ corresponds to the LOSS. Here, c denotes the pseudorandom-noise (PRN) sequence that consists of a Gold code with a code period $T = 1$ ms, 1023 chips per period, and a rectangular chip shape. $\mathbf{a}(\theta, \varphi)$ represents the steering vector of a 2×2 square array antenna. The channel parameters are assumed constant during the observation time.

Collecting the samples of the complex baseband signal leads to a $M \times N_{\text{snap}}$ matrix, where N_{snap} denotes the number of Snapshots. Typically in GNSS, N_{snap} is larger than 2000, and, thus, a direct processing of the baseband signal is hardly implemented in real time. In order to compress the signal,

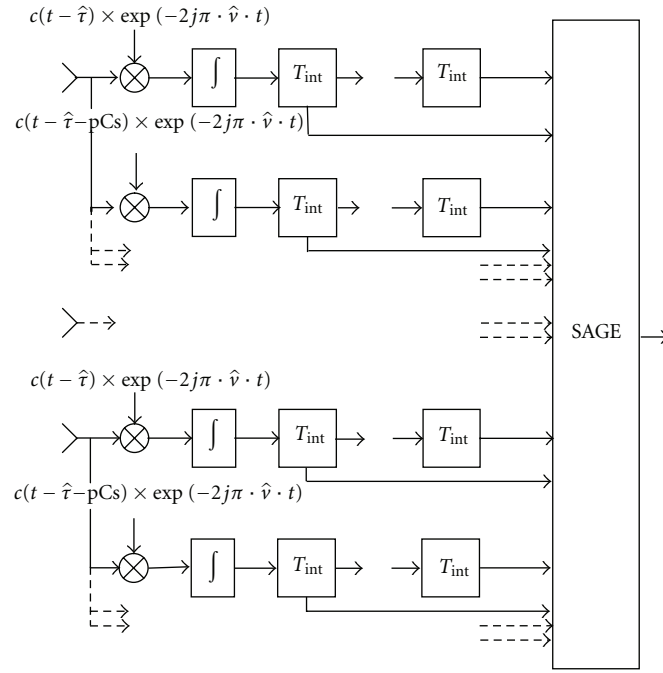


FIGURE 1: Principle of the STAP multicorrelator.

we propose to use the scheme presented in the Figure 1. The aim of the array antenna is to sample the wave fronts and to get access to the spatial domain. The banc of correlators is used to compress the signal and to get access to the relative delays of the sources, and finally the postcorrelation time taps enable to get access to the frequency domain. We can see that the first and last parts of this architecture are equivalent to a STAP (space time adaptive process) array applied to the postcorrelated signal. Thus, we call this architecture the STAP multicorrelator array. This array is then defined by 4 parameters: the number M of antennas, the number N of postcorrelation taps, the number P of correlators, and the time spacing Cs between each correlator. Note that the sampling time of the postcorrelated signal is equal to T_{int} . Therefore, we have the following relation between the number of SnapShots and the number of postcorrelated Taps: $N_{snap} = NT_{int}f_s$, where f_s denotes the sampling frequency of the baseband signal. The n th output of one correlator delayed by a time spacing of pCs is given by

$$\begin{aligned} r_{C,l}(\tau_{rl}, \nu_{rl}, p, n) &= \frac{1}{T_{int}} \int_{(n-1)T_{int}}^{nT_{int}} c(t - \tau_l) c(t - \hat{\tau} - pCs) \\ &\quad \times \exp[-2j\pi(\nu_l - \hat{\nu})t] dt, \end{aligned} \quad (3)$$

with $n \in [1, N]$, if P is even $p \in [-P/2, P/2]$ and if P is odd $p \in [-(P-1)/2, (P-1)/2]$. We introduce the relative delay of the DLL estimation $\hat{\tau}$ and the relative Doppler of the FLL (Frequency Lock Loop) estimation $\hat{\nu}$ with respect to the

l th path parameters: $\tau_{rl} = \hat{\tau} - \tau_l$, $\nu_{rl} = \hat{\nu} - \nu_l$. We can then approximate the integral as

$$\begin{aligned} r_{C,l}(\tau_{rl}, \nu_{rl}, p, n) &= r(\tau_{rl} + pCs) \text{sinc}[\pi\nu_{rl}T_{int}] \exp\left[2j\pi\left(\nu_{rl}\frac{2n-1}{2}T_{int}\right)\right], \end{aligned} \quad (4)$$

with $r(\cdot)$ the autocorrelation function of the PRN code and $\text{sinc}[x] = \sin[x]/x$. The amplitude and phase components are independent of p and n ; they can be inserted in the modified complex amplitude $\tilde{\gamma}_l$ of the incoming path:

$$\tilde{\gamma}_l = \gamma_l \text{sinc}[\pi\nu_{rl}T_{int}] \exp[-j\pi\nu_{rl}T_{int}]. \quad (5)$$

Then,

$$r_{C,l}(\tau_{rl}, \nu_{rl}, p, n) = \frac{\tilde{\gamma}_l}{\gamma_l} \tilde{r}_C(\tau_{rl}, \nu_{rl}, p, n), \quad (6)$$

with

$$\tilde{r}_C(\tau_{rl}, \nu_{rl}, p, n) = r(\tau_{rl} + pCs) \exp(2j\pi\nu_{rl}nT_{int}). \quad (7)$$

The outputs of the P correlators are rearranged in a column vector. The N cross-correlation functions obtained

are then concatenated in order to get the temporal evolution of the postcorrelation signal:

$$\tilde{\mathbf{r}}_C(\tau_{rl}, \nu_{rl}) = \begin{bmatrix} \tilde{r}_C\left(\tau_{rl}, \nu_{rl}, -\frac{(P-1)}{2}, 1\right) \\ \vdots \\ \tilde{r}_C\left(\tau_{rl}, \nu_{rl}, \frac{(P-1)}{2}, 1\right) \\ \tilde{r}_C\left(\tau_{rl}, \nu_{rl}, -\frac{(P-1)}{2}, 2\right) \\ \vdots \\ \tilde{r}_C\left(\tau_{rl}, \nu_{rl}, \frac{(P-1)}{2}, 2\right) \\ \vdots \\ \tilde{r}_C\left(\tau_{rl}, \nu_{rl}, \frac{(P-1)}{2}, N\right) \end{bmatrix}_{NP \times 1}. \quad (8)$$

Finally, the output signal of the STAP multicorrelator array can be collected in a mNP column vector:

$$\mathbf{x} = \sum_{l=0}^{L-1} \mathbf{x}_l(\Psi_l) + \mathbf{n}_{pc}, \quad (9)$$

where \mathbf{n}_{pc} is the output noise and $\mathbf{x}_l(\Psi_l)$ is given by

$$\mathbf{x}_l(\Psi_l) = \tilde{\gamma}_l \mathbf{a}(\theta_l, \phi_l) \otimes \tilde{\mathbf{r}}_C(\tau_{rl}, \nu_{rl}), \quad (10)$$

where \otimes denotes the Kronecker product, and the parameters are now $\Psi_l = [\tilde{\gamma}_l, \theta_l, \phi_l, \tau_{rl}, \nu_{rl}]^T$, where τ_{rl}, ν_{rl} denote the relative delay and Doppler of the path l .

3. SAGE Algorithm

3.1. Concept of SAGE. The problem associated with the signal model (2) consists in estimating the parameters $\psi_l = [\gamma_l, \theta_l, \phi_l, \tau_l, \nu_l]^T$, $l = 0, 1, \dots, L-1$ for all the paths. The estimation of L is not discussed in this paper. Usually, L is fixed to a value large enough to capture all the dominant impinging waves. Classical information theory methods for model size selection like Akaike's and Rissanen's [19] criteria can be used. The ML estimation is given by $\hat{\psi} = \arg \max_{\psi} p(\mathbf{Z} | \psi)$, where \mathbf{Z} is the sampled complex baseband signal and $p(\mathbf{Z} | \psi)$ is the likelihood function. The direct maximization of the likelihood function is a computationally prohibitive task since there is no analytical solution. Moreover, $p(\mathbf{Z} | \psi)$ is generally not a concave function of ψ , and L is usually high. To perform this optimization, we use the iterative process of the SAGE algorithm [16]. The basic concept of the SAGE algorithm is to use a hidden data space. Instead of estimating the parameters of all impinging waves in one search, the SAGE algorithm sequentially estimates the parameters of each signal. The SAGE algorithm breaks down the multidimensional optimization problem into several smaller problems. In spite of this complexity reduction, SAGE is still hardly implemented in real time due to the size of the baseband signal.

3.2. The SAGE/STAP Multicorrelator Algorithm. The main idea to take advantages of SAGE with more reasonable hardware requirements is to process the data at the output of the STAP multicorrelator array. Using the signal model (10), the likelihood function is then

$$p(\mathbf{x} | \Psi) = \frac{1}{\pi^{NPM} \det \mathbf{Q}_{pc}} \exp\left(-[\mathbf{x} - \mathbf{x}_{si}(\Psi)]^H \mathbf{Q}_{pc}^{-1} [\mathbf{x} - \mathbf{x}_{si}(\Psi)]\right), \quad (11)$$

where $\mathbf{x}_{si}(\Psi) = \sum_{l=0}^{L-1} \mathbf{x}_l(\Psi_l)$ contains the superimposition of the post-correlation signals. \mathbf{Q}_{pc} denotes the covariance matrix of the postcorrelation noise. The noise is no longer white after the correlation step, and it is shown in [20] that the postcorrelation noise covariance matrix is given by

$$\mathbf{Q}_{pc} = E(\mathbf{n}_{pc} \mathbf{n}_{pc}^H) = \tilde{\sigma}_n^2 (\mathbf{I}_{MN} \otimes \mathbf{Q}_P), \quad (12)$$

where $\tilde{\sigma}_n^2$ denotes the noise power after the correlation step, and \mathbf{Q}_P is define thanks to the auto-correlation function of the PRN code $r(\cdot)$:

$$\mathbf{Q}_P = \begin{bmatrix} r(0) & r(Cs) & \cdots & \cdots & r(P \cdot Cs) \\ r(Cs) & r(0) & r(Cs) & & \vdots \\ \vdots & r(Cs) & r(0) & r(Cs) & \vdots \\ \vdots & & r(Cs) & r(0) & r(Cs) \\ r(P \cdot Cs) & \cdots & \cdots & r(Cs) & r(0) \end{bmatrix}_{P \times P}. \quad (13)$$

The first step of the SAGE algorithm, so-called expectation step (E-STEP), consists in estimating the hidden data space with

$$\hat{\mathbf{x}}_l = \mathbf{x} - \sum_{\substack{l'=0 \\ l' \neq l}}^{L-1} \mathbf{x}_{l'}(\Psi_{l'}). \quad (14)$$

The second step, so-called maximization step (M-STEP), carries out the maximization of the log-likelihood function which is associated with the estimated hidden data space. In the case of the STAP multicorrelator signal, the log-likelihood function is

$$\begin{aligned} \Lambda(\Psi_l) &= \ln p(\hat{\mathbf{x}}_l | \Psi_l) \\ &= -\ln \pi^{NPM} \\ &\quad - \ln \det \mathbf{Q}_{pc} - (\mathbf{x}_l(\Psi_l) - \hat{\mathbf{x}}_l)^H \mathbf{Q}_{pc}^{-1} (\mathbf{x}_l(\Psi_l) - \hat{\mathbf{x}}_l). \end{aligned} \quad (15)$$

The maximization of Λ with respect to Ψ_l can be concentrated, as the dependence to $\tilde{\gamma}_l$ is linear:

$$\tilde{\gamma}_l = \frac{[\mathbf{a}(\hat{\theta}_l, \hat{\phi}_l) \otimes \tilde{\mathbf{r}}_C(\hat{\tau}_{rl}, \hat{\nu}_{rl})]^H \hat{\mathbf{x}}_l}{M \tilde{\mathbf{r}}_C^H(\hat{\tau}_{rl}, \hat{\nu}_{rl}) \tilde{\mathbf{r}}_C(\hat{\tau}_{rl}, \hat{\nu}_{rl})}, \quad (16)$$

where $\tilde{\mathbf{r}}_C^H(\tau_{rl}, \nu_{rl})$ is given by

$$\tilde{\mathbf{r}}_C^H(\tau_{rl}, \nu_{rl}) = \tilde{\mathbf{r}}_C^H(\tau_{rl}, \nu_{rl}) [\mathbf{I}_N \otimes \mathbf{Q}_P^{-1}]. \quad (17)$$

Finally, the reduced likelihood function to maximize is

$$\tilde{\Lambda}(\Psi_l) = \frac{\left| \left[\mathbf{a}^H(\theta_l, \varphi_l) \otimes \tilde{\mathbf{r}}_C^H(\tau_{rl}, \nu_{rl}) \right] \hat{\mathbf{x}}_l \right|^2}{M \tilde{\mathbf{r}}_C^H(\tau_{rl}, \nu_{rl}) \tilde{\mathbf{r}}_C(\tau_{rl}, \nu_{rl})}. \quad (18)$$

In order to better understand the expression (18), let us assume no noise is present, and we can develop (10) as

$$\begin{aligned} \mathbf{x}_l &= \tilde{\gamma}_l \mathbf{a}(\theta_l, \varphi_l) \otimes \tilde{\mathbf{r}}_C(\tau_{rl}, \nu_{rl}) \\ &= \tilde{\gamma}_l \mathbf{a}(\theta_l, \varphi_l) \otimes \mathbf{e}(\nu_{rl}) \otimes \mathbf{r}(\tau_{rl}), \end{aligned} \quad (19)$$

where

$$\mathbf{e}(\nu_{rl}) = \left[\exp(j2\pi\nu_{rl}T_{\text{int}}) \cdots \exp(j2\pi\nu_{rl}NT_{\text{int}}) \right]_{N \times 1}^T, \quad (20)$$

$$\mathbf{r}(\tau_{rl}) = \left[r\left(\tau_{rl} - \frac{(P-1)}{2}Cs\right) \cdots r\left(\tau_{rl} + \frac{(P-1)}{2}Cs\right) \right]_{P \times 1}^T. \quad (21)$$

Then, inserting (19), (20), and (21) in (18), we can express the reduced likelihood function as

$$\begin{aligned} \tilde{\Lambda}(\theta, \varphi, \tau_r, \nu_r) &= |\tilde{\gamma}_l|^2 \underbrace{\left| \mathbf{a}^H(\theta, \varphi) \mathbf{a}(\theta_l, \varphi_l) \right|^2}_M \underbrace{\left| \mathbf{e}^H(\nu_r) \mathbf{e}(\nu_{rl}) \right|^2}_N \\ &\quad \times \frac{\left| \mathbf{r}^H(\tau_r) \mathbf{Q}_P^{-1} \mathbf{r}(\tau_{rl}) \right|^2}{\mathbf{r}^H(\tau_r) \mathbf{Q}_P^{-1} \mathbf{r}(\tau_r)}. \end{aligned} \quad (22)$$

space FT frequency FT

As we can see, the first two terms are similar to space and frequency Fourier transforms. Thus, the two parameters M and N will mainly influence the accuracy of the DOA and the Doppler estimations for both algorithms (SAGE and SAGE/STAP). However, the couple $\{P, Cs\}$ influences only the performances of the SAGE/STAP algorithm with respect to the paths delay estimation. This point will be detailed in more detail in Section 4.

3.3. Implementation in a GNSS Receiver. To implement the SAGE/STAP algorithm in a GNSS receiver, we propose the architecture illustrated in Figure 2.

The first front end bloc contains the RF filters, the down-conversion step, the ADC and a calibration stage [21]. A calibration stage aims to compensate the technological defects such as the RF dispersion of the filters and antenna defects.

The baseband signal \mathbf{Z} is the output of this bloc. We must therefore use the STAP multicorrelator array for each tracked PRN code in order to compress the data. Afterward, we use the SAGE algorithm in the processing bloc. Finally, the SAGE estimation of the relative delay and Doppler τ_{r0}, ν_{r0} is used to drive the DLL and PLL/FLL. Thus, the key idea of our solution is to substitute the conventional DLL and PLL/FLL discriminators by the SAGE/STAP estimation.

4. Simulation Results

The aim of this section is to study the impact of the compression step (realized by the STAP multicorrelator array) on the SAGE algorithm performances. Thus, this section focuses on the comparison between the classical SAGE and the SAGE/STAP multicorrelator algorithms. The estimation performances of both algorithms were numerically evaluated with Monte Carlo simulations and theoretically through the CRB derivation. The derivation of the CRB for the SAGE/STAP algorithm is given in the annexe. For the conventional SAGE algorithm, the CRB can be found in [17]. The simulations parameters are as follows: $\sigma_n^2 = -131$ dBW, $\gamma_{0\text{dB}} = -160$ dBW, $\theta_0 = 61^\circ$, $\varphi_0 = 131^\circ$, $\nu_0 = 100$ Hz, and we use $N = 20$ blocks of 1 ms of integration. The sampling frequency of the baseband signal is $f_s = 10$ MHz. The 2×2 square array antenna contains 4 isotropic identical sensors spaced by $\lambda/2$.

In a first time, we analyze the influence of P (the number of correlators) and Cs (the correlators' delay spacing) on the performances of the SAGE/STAP algorithm. In order to cover all the cross-correlation function, we should have $PCs > 2T_c$. This condition is necessary if we want to take into account all the multipaths with a relative delay $\tau_{rl} \in [0, T_c]$. Therefore, we have the following relationship $P = \text{ceil}(2T_c/Cs)$, where the operator $\text{ceil}(x)$ denotes the nearest integer greater than or equal to x . We now focus our attention on the Cs parameters.

To study the influence of Cs , we calculate the root-mean-square error (RMSE) of the time delay based on 100 Monte Carlo simulations for both algorithms (SAGE and SAGE/STAP multicorrelator). In this first simulation, we assume no multipath, and the RMSE is plotted on Figure 3 as a function of Cs , for different signal bandwidths: $B = 2$ MHz and $B = 4$ MHz, where B denotes the two-sided RF bandwidth. When comparing the RMSE of SAGE and SAGE/STAP algorithms, we can see that both algorithms present the same performances in the case $Cs \leq 1/B$. This behavior is confirmed theoretically with the curve of the CRB as a function of Cs . We can see that the standard deviation increases when Cs becomes higher than the inverse of the signal bandwidth. We can deduce from this observation the following empirical rule which results from a tradeoff between accuracy and complexity:

$$P = \text{ceil}(2T_c/Cs), \quad Cs = \frac{1}{B} \approx \frac{1}{f_s}. \quad (23)$$

This conclusion can also be observed on the shape of the likelihood function. In Figures 4 and 5, we plot a section of the likelihood function through the delay for the SAGE and SAGE/STAP multicorrelator algorithms. In other words, we compare $|\mathbf{r}^H(\tau_r) \Sigma_P^{-1} \mathbf{r}(\tau_r)|$ and $|r(\tau_r)|^2$ for different signal bandwidths ($B = 2$ MHz on Figure 4 and $B = 4$ MHz on Figure 5) and different correlator spacings Cs . We can see that if the condition (23) is fulfilled, the likelihood functions are identical for the SAGE and SAGE/STAP multicorrelator algorithms. If not, the likelihood function of the SAGE/STAP algorithm becomes wider than the classical SAGE likelihood

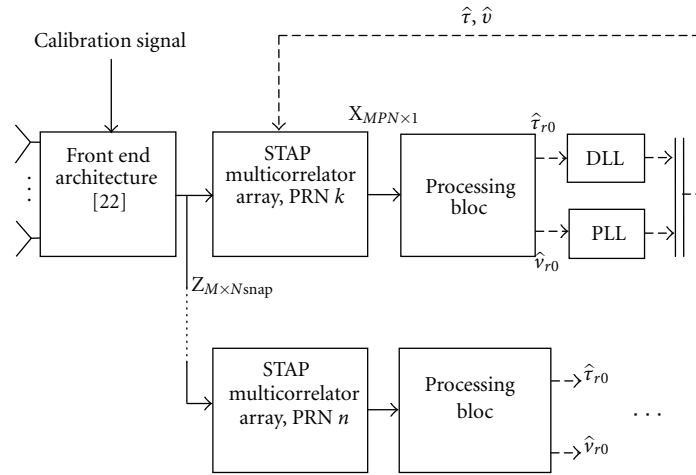
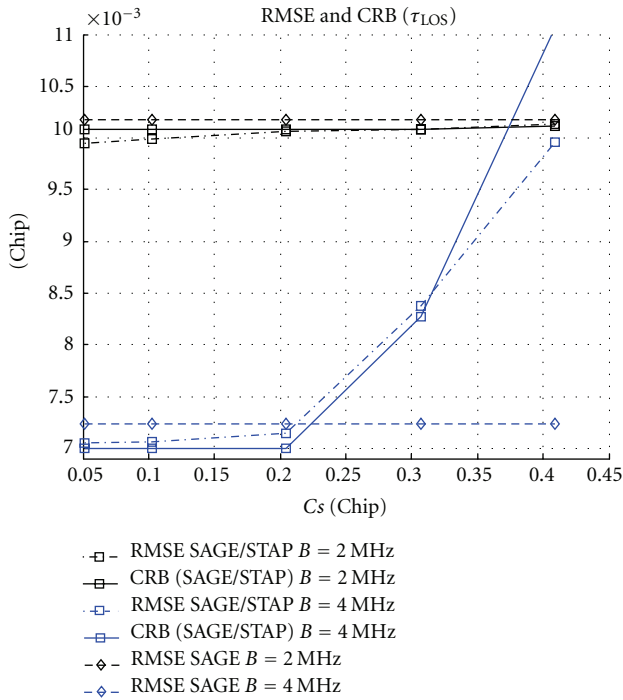
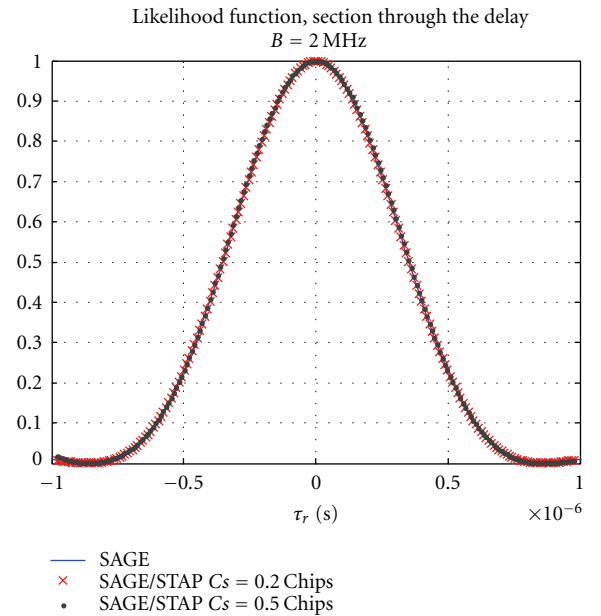


FIGURE 2: Proposed receiver architecture.

FIGURE 3: RMSE for the SAGE algorithm and RMSE and CRB for the SAGE/STAP algorithm. RMSE and CRB are plotted as a function of C_s , and for 2 different signal bandwidths: $B = 2$ MHz (black) and $B = 4$ MHz (blue).

function, which will consequently increase the variance of the estimation.

In a second time, we evaluate the performances of both algorithms in the case of one multipath. The reflected multipath and the LOSS are considered to be in-phase which corresponds to one of the worst possible cases. In Figure 6, we plot the RMSE of the estimated time delay for both algorithms as a function of the relative time delay and relative

FIGURE 4: Likelihood function section through the delay for the SAGE and SAGE/STAP algorithms. $B = 2$ MHz and $C_s = 0.1, 0.2$ and 0.5 Chips.

azimuth between the LOSS and the MP (denoted $\Delta\tau$ and $\Delta\varphi$). The multipath parameters are $\gamma_{1\text{dB}} = -163$ dBW, $\theta_1 = 30^\circ$, $\nu_1 = 105$ Hz.

We assume that the receiver is perfectly synchronized with the LOSS at the beginning of the simulation. Therefore the initial relative parameters are $\nu_{r0} = 0$ Hz, $\nu_{r1} = 5$ Hz, $\tau_{r0} = 0$ Chip. In order to choose the couple $\{P, C_s\}$, we use the results of the first simulation together with the condition (23): $f_s = B = 10$ MHz, $C_s = 1/B = 0.1$ Chip, and $P = 2T_c/C_s = 20$. Here again, we can see that both algorithms present the same performances whatever the multipath position (in space and delay). We also plot in Figure 7 the CRB

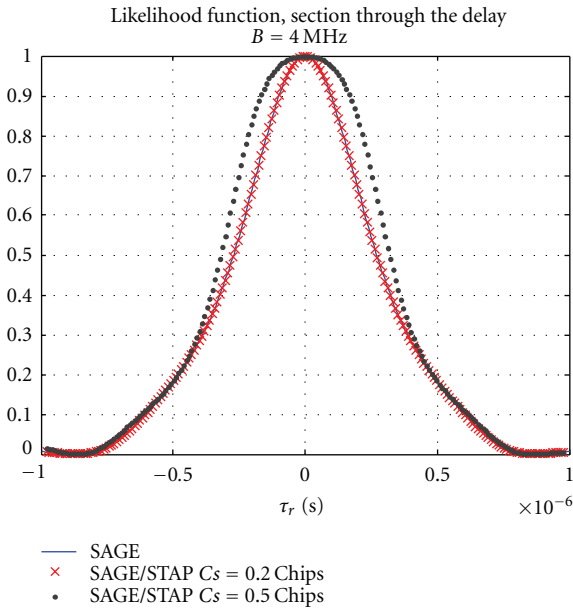


FIGURE 5: Likelihood function section through the delay for the SAGE and SAGE/STAP algorithms. $B = 4$ MHz and $C_s = 0.1, 0.2$ and 0.5 Chips.

for the SAGE and SAGE/STAP algorithms. The behaviour of both CRB shows that the algorithms are theoretically equivalent. Thus, the SAGE/STAP multicorrelator can reach the efficiency of the SAGE algorithm but with a strongly reduced complexity. Indeed, the size of the baseband signal is Mf_sNT_{int} compared to $MNP = MN2T_c f_s$ for the postcorrelated signal in the optimal configuration. The compression factor is $T_{\text{int}}/(2T_c) \approx 500$.

We compare now the RMSE and the CRB of the SAGE/STAP algorithm in Figure 8 in the same configuration. We can see that the RMSE reaches the CRB if the sources are spaced by more than 50° . This result is particularly interesting because in this situation, close and far time delay multipaths are completely mitigated by the algorithm, which is mainly due to the multiantenna contribution. In the case where the relative azimuth is weaker, the algorithms mainly use the time and frequency domains to mitigate the multipath. In this condition, the array antenna is not useful anymore, and the rejection performances are similar to single antenna mitigation techniques (e.g., MEDLL). In Figure 9, we plot the RMSE and the CRB for the LOSS elevation estimation. Here again, the RMSE reaches the CRB, excepted in the case of short-time delay ($\Delta\tau < 0.1$ Chip) and close space sources ($\Delta\phi < 20^\circ$). This shows the limitation of the SAGE approach for cases where the MP is close to the LOSS on the 4 dimensions considered in the estimation process.

The efficiency of the SAGE/STAP algorithm was illustrated in the previous simulations. Now, we want to address the impact of this algorithm on the performances of conventional GNSS tracking loops.

First of all, we evaluate the error envelope for a conventional DLL enhanced by a conventional beamformer (CBF)

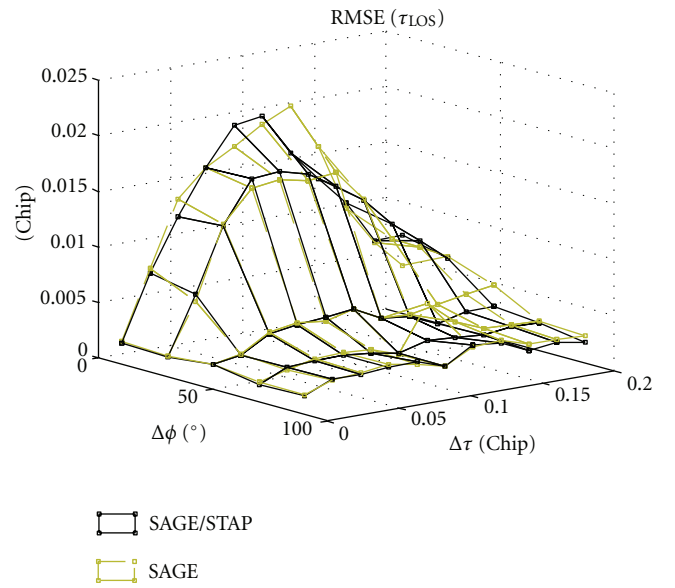


FIGURE 6: CRB of the LOSS delay as a function of the relative azimuth and relative delay, for the SAGE and the SAGE/STAP algorithms. $\Delta\gamma_{\text{dB}} = -3$ dB, $\Delta\theta = 31^\circ$, $\Delta\nu = -5$ Hz.

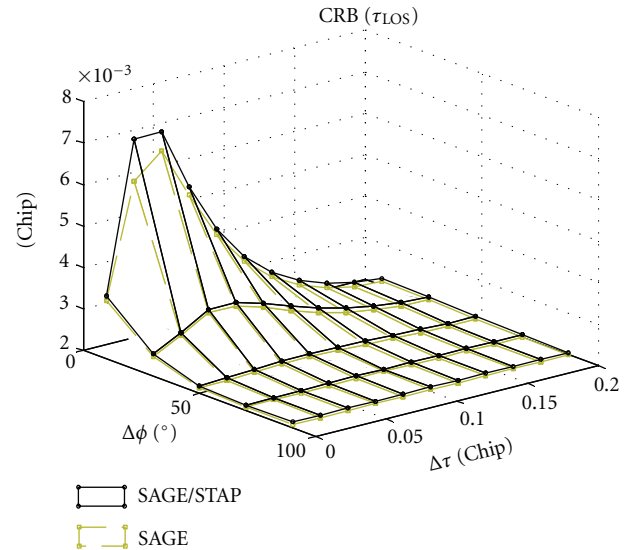


FIGURE 7: RMSE of the LOSS delay as a function of the relative azimuth and relative delay, for the SAGE and the SAGE/STAP algorithms. $\Delta\gamma_{\text{dB}} = -3$ dB, $\Delta\theta = 31^\circ$, $\Delta\nu = -5$ Hz.

and for a DLL driven by SAGE (denoted DLL/SAGE). The loops parameters are loop order = 2, damping factor = 0.707, $B_{\text{DLL}} = 1$ Hz, $B_{\text{PLL}} = 10$ Hz. In the case of classical DLL, we use the early-minus-late discriminator (EMLD) with a chips spacing equal to 0.1 Chip and the arctangent discriminator for the PLL. In Figure 10, we plot the error envelope as a function of the relative azimuth and delay of the MP. Although the DLL is enhanced by a CBF, the SAGE/STAP algorithm provides the best multipath mitigation whatever the MP position.

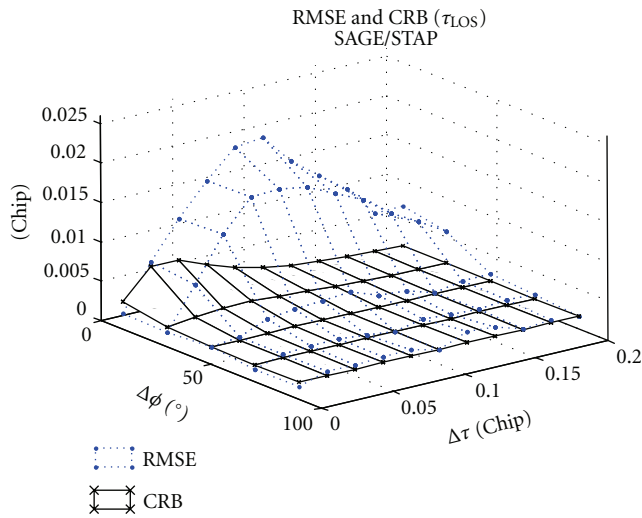


FIGURE 8: RMSE and CRB of the LOSS delay as functions of the relative azimuth and relative delay, for the SAGE/STAP algorithms. $\Delta\gamma_{dB} = -3$ dB, $\Delta\theta = 31^\circ$, $\Delta\nu = -5$ Hz.

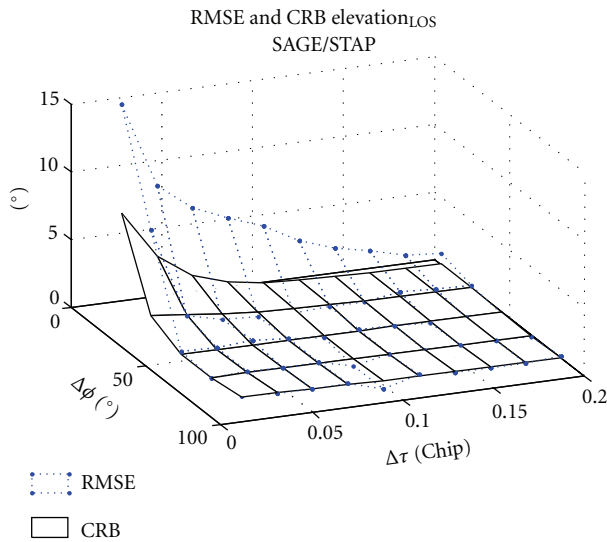


FIGURE 9: RMSE and CRB of the LOSS elevation as functions of the relative azimuth and relative delay, for the SAGE/STAP algorithms. $\Delta\gamma_{dB} = -3$ dB, $\Delta\theta = 31^\circ$, $\Delta\nu = -5$ Hz.

In the last simulation, we propose to test the SAGE/STAP algorithm with the DLR channel model available online (<http://www.kn-s.dlr.de/satnav/>) [22]. The DLR channel model generates the number of paths (LOSS + MP), their complex amplitudes, relative delays, and Doppler shifts. In the free version available online, the DOA are not generated. Thus, we computed the DOA of the MP thanks to the position of the scatterers, which are randomly positioned based on statistics established during measurement campaigns [22].

The LOSS parameters are $\theta_0 = 43.7^\circ$, $\varphi_0 = -88.61$, $\nu_0 = 395.75$ Hz, and we simulated a CBOC signal [23] on the L1 band with $B = f_s = 25$ MHz. Thus, according to (23),

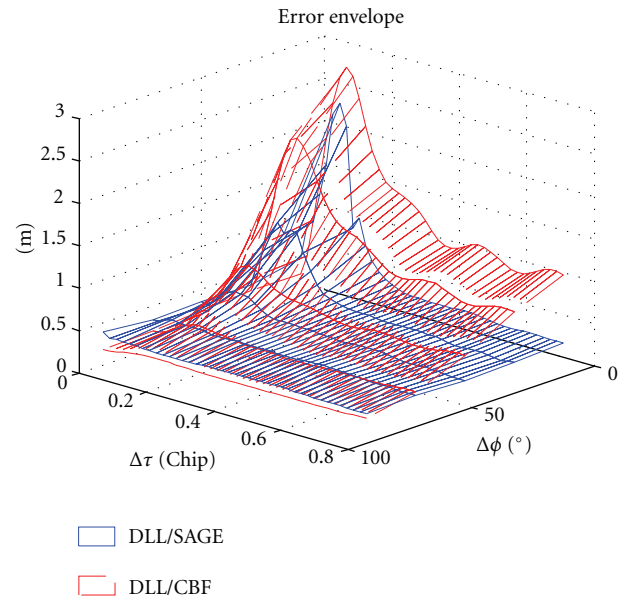


FIGURE 10: Error envelope for the DLL driven by SAGE and the DLL enhanced by a conventional beamforming. The envelope error is plotted as a function of the relative delay and azimuth. $\Delta\gamma_{dB} = -3$ dB, $\Delta\theta = 31^\circ$, $\Delta\nu = -5$ Hz.

we have $P = 49$ and $C_s = 40$ ns. The speed of the vehicle has been chosen to 0 m/s in order to tackle the problem of stationary MP. The other simulation parameters (N , DLL and PLL) are the same as in the previous simulations. In Figure 11, we plot the pseudorange error and the Doppler estimation of the conventional DLL/PLL and the DLL/PLL driven by the SAGE/STAP multicorrelators algorithm. As we can see, the SAGE approach provides a real improvement in the time delay and Doppler estimation with respect to the conventional multiantenna receiver architecture in a tracking scenario. More tracking simulations with this solution can be found in [24].

5. Conclusion

In this work we have addressed the problem of estimating the propagation time delay of the LOSS in a GNSS receiver under severe multipath conditions. To reduce the influence of the multipaths, we investigated the use of array antenna algorithms. Previous studies suggest using the SAGE algorithm with an array antenna in order to reduce the estimation error of the delay of the LOSS. However, SAGE is hardly implemented in real time due to the memory requirements and computation cost. Moreover, SAGE is hardly compatible with classical GNSS tracking loops.

In order to take the advantages of SAGE with more reasonable hardware requirements, we proposed a new implementation based on a STAP multicorrelator array. The CRB derivation and the Monte Carlo simulations were used in this paper to study the trade-off between accuracy and complexity. This trade-off appears by the influence of the parameters P (number of correlators) and C_s (correlator space) on

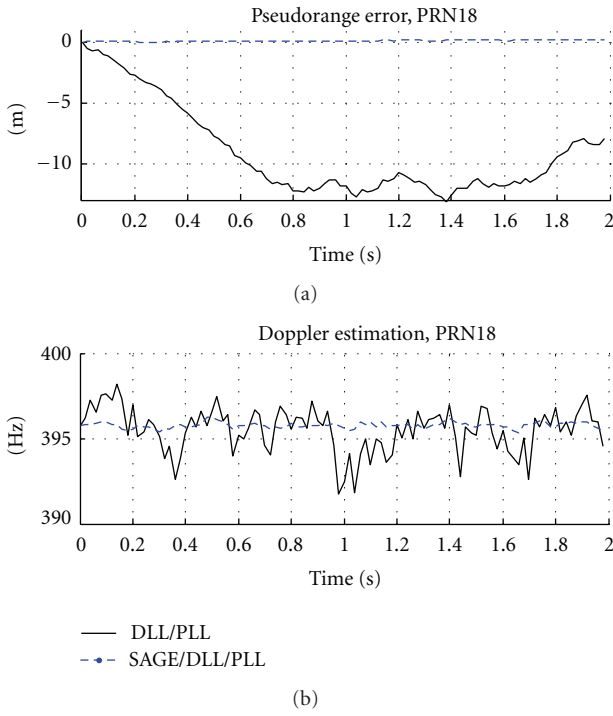


FIGURE 11: Pseudorange error and Doppler estimation for the conventional DLL/PLL and the DLL/PLL driven by the SAGE algorithm. $\theta_0 = 43.7^\circ$, $\varphi_0 = -88.61$, $\nu_0 = 395.75$ Hz.

the SAGE/STAP multicorrelator performances. The size of the data to be processed is then drastically reduced, and the CRB and Monte Carlo simulations attest that there is no performance loss between the classical SAGE algorithm and the SAGE/STAP multicorrelator algorithm. Moreover, the SAGE/STAP multicorrelator algorithm can constitute the discriminator of GNSS tracking loops. Thus, with this new implementation, the high-resolution performances of SAGE are now available for GNSS receiver, which is a very promising approach for the multipath mitigation problem in GNSS.

Appendix

Cramer Rao Bound

The likelihood function for the signal at the output of the STAP multicorrelator array is given in (11). Therefore, the log-likelihood function is

$$\begin{aligned} \ln p(\mathbf{x} | \Psi) &= -\ln \pi^{NPM} - \ln \det \mathbf{Q}_{pc} - (\mathbf{x} - \mathbf{x}_{si}(\Psi))^H \mathbf{Q}_{pc}^{-1} (\mathbf{x} - \mathbf{x}_{si}(\Psi)), \end{aligned} \quad (\text{A.1})$$

where $\mathbf{x}_{si}(\Psi) = \sum_{l=1}^L \mathbf{x}_l(\Psi_l)$ contains the superimposition of the postcorrelated signals, Σ_{pc} denotes the covariance matrix of the postcorrelated noise, and $\Psi = [|\tilde{\gamma}|^T \arg(\tilde{\gamma})^T \theta^T \phi^T \nu_r^T \tau_r^T]_{5L}^T$ is the parameters vector with $\tilde{\gamma} = [\tilde{\gamma}_0, \tilde{\gamma}_1, \dots, \tilde{\gamma}_{L-1}]_{L \times 1}^T$ the modified complex amplitude

vector of the L impinging wave fronts, $\theta = [\theta_0, \dots, \theta_{L-1}]^T$ the elevation vector, $\phi = [\varphi_0, \dots, \varphi_{L-1}]^T$ the azimuth vector, $\nu_r = [\nu_{r0}, \dots, \nu_{rL-1}]^T$ the relative Doppler vector, and $\tau_r = [\tau_{r0}, \dots, \tau_{rL-1}]^T$ the vector of relative delay.

The CRB is found as the $[i, i]$ element of the inverse of the so-called Fisher Information Matrix (FIM) $\mathbf{I}(\Psi)$:

$$\text{var}(\Psi_i) \geq [\mathbf{I}(\Psi)^{-1}]_{ii}. \quad (\text{A.2})$$

The definition of the FIM is

$$[\mathbf{I}(\Psi)]_{i,j} = -E \left[\frac{\partial^2 \ln p(\mathbf{x} | \Psi)}{\partial \Psi_i \partial \Psi_j} \right]. \quad (\text{A.3})$$

As we assume that the noise covariance is independent of the parameters, the FIM for a complex multivariate Gaussian process is [6, 11]

$$[\mathbf{I}(\Psi)]_{i,j} = 2 \text{Re} \left(\frac{\partial \mathbf{x}_{si}(\Psi)^H}{\partial \Psi_i} \mathbf{Q}_{pc}^{-1} \frac{\partial \mathbf{x}_{si}(\Psi)}{\partial \Psi_j} \right). \quad (\text{A.4})$$

Note that the FIM can be a bloc partitioned symmetric matrix. Thus, we can write

$$\mathbf{I}(\Psi) = \begin{bmatrix} \mathbf{I}_{|\gamma|} & \mathbf{I}_{|\gamma| \arg(\gamma)} & \mathbf{I}_{|\gamma| \theta} & \mathbf{I}_{|\gamma| \phi} & \mathbf{I}_{|\gamma| \tau_r} & \mathbf{I}_{|\gamma| \nu_r} \\ & \mathbf{I}_{\arg(\gamma)} & & & & \\ & & \mathbf{I}_{\theta} & \ddots & & \\ \vdots & & & \mathbf{I}_{\phi} & & \vdots \\ & & \ddots & & \mathbf{I}_{\tau_r} & \\ \mathbf{I}_{\nu_r | \gamma} & & & & & \mathbf{I}_{\nu_r} \end{bmatrix}_{6L}, \quad (\text{A.5})$$

where the bloc matrices can be obtained by

$$\begin{aligned} [\mathbf{I}_{|\gamma|}]_{n,p} &= 2 \text{Re} \left(\frac{\partial \mathbf{x}_n^H}{\partial |\tilde{\gamma}_n|} \mathbf{Q}_{pc}^{-1} \frac{\partial \mathbf{x}_p}{\partial |\tilde{\gamma}_p|} \right), \\ [\mathbf{I}_{\arg(\gamma)}]_{n,p} &= 2 \text{Re} \left(\frac{\partial \mathbf{x}_n^H}{\partial \arg(\tilde{\gamma}_n)} \mathbf{Q}_{pc}^{-1} \frac{\partial \mathbf{x}_p}{\partial \arg(\tilde{\gamma}_p)} \right), \\ [\mathbf{I}_{\theta}]_{n,p} &= 2 \text{Re} \left(\frac{\partial \mathbf{x}_n^H}{\partial \theta_n} \mathbf{Q}_{pc}^{-1} \frac{\partial \mathbf{x}_p}{\partial \theta_p} \right), \\ [\mathbf{I}_{\phi}]_{n,p} &= 2 \text{Re} \left(\frac{\partial \mathbf{x}_n^H}{\partial \varphi_n} \mathbf{Q}_{pc}^{-1} \frac{\partial \mathbf{x}_p}{\partial \varphi_p} \right), \\ [\mathbf{I}_{\nu}]_{n,p} &= 2 \text{Re} \left(\frac{\partial \mathbf{x}_n^H}{\partial \nu_{rn}} \mathbf{Q}_{pc}^{-1} \frac{\partial \mathbf{x}_p}{\partial \nu_{rp}} \right), \\ [\mathbf{I}_{\tau}]_{n,p} &= 2 \text{Re} \left(\frac{\partial \mathbf{x}_n^H}{\partial \tau_{rn}} \mathbf{Q}_{pc}^{-1} \frac{\partial \mathbf{x}_p}{\partial \tau_{rp}} \right), \\ [\mathbf{I}_{|\gamma| \theta}]_{n,p} &= 2 \text{Re} \left(\frac{\partial \mathbf{x}_n^H}{\partial |\tilde{\gamma}_n|} \mathbf{Q}_{pc}^{-1} \frac{\partial \mathbf{x}_p}{\partial \theta_p} \right), \\ &\vdots \end{aligned} \quad (\text{A.6})$$

with $1 \leq n \leq L$, $1 \leq p \leq L$. Last, we need to calculate the differential of the STAP multicorrelator signal given

in (10) with respect to $|\tilde{\gamma}_l|, \arg(\tilde{\gamma}_l), \theta_l, \varphi_l, \nu_{rl}, \tau_{rl}$. To that end, we use the following signal model:

$$\mathbf{x}_l = \tilde{\gamma}_l \mathbf{a}(\theta_l, \varphi_l) \otimes \mathbf{e}(\nu_{rl}) \otimes \mathbf{r}(\tau_{rl}). \quad (\text{A.7})$$

The differential of the Kronecker product of 2 matrixes $\mathbf{A}_{p \times q}$ and $\mathbf{B}_{r \times l}$ with respect to a parameter x is given by [6]

$$\begin{aligned} \frac{\partial}{\partial x} [\mathbf{A}(x) \otimes \mathbf{B}(x)] &= \frac{\partial \mathbf{A}(x)}{\partial x} \otimes \mathbf{B}(x) \\ &+ \mathbf{U}_{p \times r} \left(\frac{\partial \mathbf{B}(x)}{\partial x} \otimes \mathbf{A}(x) \right) \mathbf{U}_{l \times q}, \end{aligned} \quad (\text{A.8})$$

with \mathbf{U} the permutation matrix. Note that in our model, we are working with column vectors, and each subvector is depending on different independent parameters. Therefore, the differential of the signal is simply given by

$$\begin{aligned} \frac{\partial \mathbf{x}_l}{\partial \theta_l} &= \tilde{\gamma}_l \frac{\partial \mathbf{a}(\theta_l, \varphi_l)}{\partial \theta_l} \otimes \mathbf{e}(\nu_{rl}) \otimes \mathbf{r}(\tau_{rl}), \\ \frac{\partial \mathbf{x}_l}{\partial \varphi_l} &= \tilde{\gamma}_l \frac{\partial \mathbf{a}(\theta_l, \varphi_l)}{\partial \varphi_l} \otimes \mathbf{e}(\nu_{rl}) \otimes \mathbf{r}(\tau_{rl}), \\ \frac{\partial \mathbf{x}_l}{\partial \nu_{rl}} &= \tilde{\gamma}_l \mathbf{a}(\theta_l, \varphi_l) \otimes \frac{\partial \mathbf{e}(\nu_{rl})}{\partial \nu_{rl}} \otimes \mathbf{r}(\tau_{rl}), \\ \frac{\partial \mathbf{x}_l}{\partial \tau_{rl}} &= \tilde{\gamma}_l \mathbf{a}(\theta_l, \varphi_l) \otimes \mathbf{e}(\nu_{rl}) \otimes \frac{\partial \mathbf{r}(\tau_{rl})}{\partial \tau_{rl}}, \\ \frac{\partial \mathbf{x}_l}{\partial |\tilde{\gamma}_l|} &= \exp(j \arg(\tilde{\gamma}_l)) \mathbf{a}(\theta_l, \varphi_l) \otimes \mathbf{e}(\nu_{rl}) \otimes \mathbf{r}(\tau_{rl}) \\ &= \exp(-j \pi \nu_r T_{\text{int}}) \mathbf{a}(\theta_l, \varphi_l) \otimes \mathbf{e}(\nu_{rl}) \otimes \mathbf{r}(\tau_{rl}), \\ \frac{\partial \mathbf{x}_l}{\partial \arg(\tilde{\gamma}_l)} &= j \tilde{\gamma}_l \mathbf{a}(\theta_l, \varphi_l) \otimes \mathbf{e}(\nu_{rl}) \otimes \mathbf{r}(\tau_{rl}). \end{aligned} \quad (\text{A.9})$$

Acknowledgments

This work was supported by the French Space Agency (CNES), French Aerospace Lab (ONERA), and Thales Alenia Space—France.

References

- [1] R. D. Nee, "Spread-spectrum code and carrier synchronization errors caused by multipath and interference," *IEEE Transactions on Aerospace and Electronic Systems*, vol. 29, no. 4, pp. 1359–1365, 1993.
- [2] B. W. Parkinson and J. J. Spilker, Eds., *Global Positioning System: Theory and Application*, vol. 1, Progress in Astronautics and Aeronautics, Washington, DC, USA, 1996.
- [3] A. J. Van Dierendonck, P. Fenton, and T. Ford, "Theory and performance of narrow correlator spacing in a GPS receiver," *Navigation, Journal of the Institute of Navigation*, vol. 39, no. 3, pp. 265–283, 1992.
- [4] R. D. J. van Nee, J. Sieveld, P. C. Fenton, and B. R. Townsend, "Multipath estimating delay lock loop: approaching theoretical accuracy limits," in *Proceedings of the 1994 IEEE Position Location and Navigation Symposium*, pp. 246–251, April 1994.
- [5] M. Lentmaier, B. Krach, and P. Robertson, "Bayesian time delay estimation of GNSS signals in dynamic multipath environments," *International Journal of Navigation and Observation*, vol. 2008, Article ID 372651, 11 pages, 2008.
- [6] P. Closas, C. Fernández-Prades, and J. A. Fernández-Rubio, "A particle filtering tracking algorithm for GNSS synchronization using Laplace's method," in *Proceedings of the IEEE International Conference on Acoustics, Speech and Signal Processing (ICASSP'08)*, pp. 3409–3412, Las Vegas, Nv, USA, April 2008.
- [7] B. Krach, M. Lentmaier, and P. Robertson, "Joint Bayesian positioning and multipath mitigation in GNSS," in *IEEE International Conference on Acoustics, Speech and Signal Processing (ICASSP '08)*, pp. 3437–3440, Las Vegas, Nv, USA, April 2008.
- [8] A. Konovaltsev, F. Antreich, and A. Hornbostel, "Performance assessment of antenna array algorithms for multipath and interference mitigation," in *Proceedings of the 2nd Workshop on GNSS Signals & Signal Processing (GNSS SIGNALS'07)*, 2007.
- [9] A. K. Brown and B. Mathews, "GPS multipath mitigation using a three dimensional phased array," in *Proceedings of the 18th International Technical Meeting of the Satellite Division of The Institute of Navigation (ION GNSS '05)*, pp. 659–666, long Beach, Calif, USA, September 2005.
- [10] S. Rougerie, G. Carrie, L. Ries et al., "Multipath mitigation methods based on antenna array," in *Proceedings of the International Technical Meeting of Institute of Navigation (ITM '11)*, pp. 596–605, San Diego, Calif, USA, January 2011.
- [11] J. H. Williams, R. J. Davis, and E. N. Rosario, "Multipath mitigation performance of planar GPS adaptive antenna for precision landing ground stations," in *Proceedings of the Proceedings of the 13th International Technical Meeting of the Satellite Division of The Institute of Navigation (ION GPS'00)*, pp. 1309–1316, Salt Lake City, Utah, USA, 2000.
- [12] B. R. Rao, J. H. Williams, E. N. Rosario, and R. J. Davis, "microstrip antenna array on a resistivity tapered ground plane for multipath mitigation," in *Proceedings of the Proceedings of the 13th International Technical Meeting of the Satellite Division of The Institute of Navigation (ION GPS'00)*, pp. 2468–2476, Salt Lake City, Utah, USA, 2000.
- [13] J. K Ray, M. E. Cannon, and P. Fenton, "Mitigation of GPS code and carrier phase multipath effects using a multi-antenna system," UCGE Reports, 1999.
- [14] G. Seco-Granados, J. A. Fernández-Rubio, and C. Fernández-Prades, "ML estimator and hybrid beamformer for multipath and interference mitigation in GNSS receivers," *IEEE Transactions on Signal Processing*, vol. 53, no. 3, pp. 1194–1208, 2005.
- [15] J. Selva, "An efficient Newton-type method for the computation of ML estimators in a uniform linear array," *IEEE Transactions on Signal Processing*, vol. 53, no. 6, pp. 2036–2045, 2005.
- [16] B. H. Fleury, M. Tschudin, R. Heddergott, D. Dahlhaus, and K. I. Pedersen, "Channel parameter estimation in mobile radio environments using the SAGE algorithm," *IEEE Journal on Selected Areas in Communications*, vol. 17, no. 3, pp. 434–450, 1999.
- [17] F. Antreich, J. A. Nossek, and W. Utschick, "Maximum likelihood delay estimation in a navigation receiver for aeronautical applications," *Aerospace Science and Technology*, vol. 12, no. 3, pp. 256–267, 2008.
- [18] S. Rougerie, A. Konovaltsev, M. Cuntz et al., "Comparison of SAGE and classical multi-antenna algorithms for multipath mitigation in real-world environment," in *Proceedings of the 5th ESA Workshop on Satellite Navigation Technologies and European Workshop on GNSS Signals and Signal Processing*

- (NAVITEC'10), pp. 1–8, ESTEC, Noordwijk, Netherland, 2010.
- [19] H. Akaike, “Information theory and an extension of the maximum likelihood principle,” in *Proceedings of the 2nd International Symposium on Information theory*, B. Petrov and F. Csaki, Eds., pp. 267–281, Budapest, Hungary, 1971.
- [20] G. Carrie, F. Vincent, T. Deloues, D. Pietin, A. Renard, and F. Letestu, “Optimal STAP algorithms to GNSS receivers,” in *Proceedings of the European Navigation Conference*, Manchester International Convention Centre, 2006.
- [21] A. Konovaltsev, N. Basta, L. A. Greda, M. Cuntz, M. V. T. Heckler, and A. Dreher, “Calibration of adaptive antennas in satellite navigation receivers,” in *Proceedings of the 4th European Conference on Antennas and Propagation, (EuCAP '10)*, April 2010.
- [22] A. Lehner and A. Steingass, “A novel channel model for land mobile satellite navigation,” in *Proceedings of the 18th International Technical Meeting of the Satellite Division of The Institute of Navigation, (ION GNSS '05)*, pp. 2132–2138, Long Beach, Calif, USA, September 2005.
- [23] “Galileo open service, signal in space interface control document, draft,” European Space Agency / European GNSS supervisory Authority, 2008.
- [24] S. Rougerie, G. Carrié, L. Ries, F. Vincent, M. Monnerat, and M. Bousquet, “A new tracking approach for GNSS multipath mitigation based on antenna array,” in *Proceedings of the Ka and Broadband Communications, Navigation and Earth Observation Conference*, Palermo, Italy, 2011.