



HAL
open science

Specification of a Collision-Free CSMA MAC Protocol for Wireless LANs: the CANlike protocol

Guy Juanole, Xuan Hung Nguyen, Gérard Mouney

► **To cite this version:**

Guy Juanole, Xuan Hung Nguyen, Gérard Mouney. Specification of a Collision-Free CSMA MAC Protocol for Wireless LANs: the CANlike protocol. SaCoNeT 2013 - The 4th International Conference on Smart Communications in Network Technologies, Jun 2013, Paris, France. pp.5. hal-00818517

HAL Id: hal-00818517

<https://hal.science/hal-00818517>

Submitted on 27 Apr 2013

HAL is a multi-disciplinary open access archive for the deposit and dissemination of scientific research documents, whether they are published or not. The documents may come from teaching and research institutions in France or abroad, or from public or private research centers.

L'archive ouverte pluridisciplinaire **HAL**, est destinée au dépôt et à la diffusion de documents scientifiques de niveau recherche, publiés ou non, émanant des établissements d'enseignement et de recherche français ou étrangers, des laboratoires publics ou privés.

Specification of a Collision-Free CSMA MAC Protocol for Wireless LANs: the CANlike protocol

Guy Juanole^{1,2}, Xuan Hung Nguyen^{1,2}, Gérard Mouney^{1,2}

¹CNRS, LAAS, 7 avenue du Colonel Roche, F-31400 Toulouse, FRANCE

²Univ de Toulouse, UPS, LAAS, F-31400 Toulouse, FRANCE

juanole@laas.fr, xhnguyen@laas.fr, mouney@laas.fr

Abstract—Collision-free Medium Access Control (MAC) protocols based on Carrier Sense Multiple Access (CSMA) and priorities associated to the frames are interesting solutions in considering real-time traffic in a wireless context. We have already presented such a protocol using priorities represented by the BlackBurst technique [1]. The goal of this paper is, at first and mainly, to specify another such protocol, named CANlike, which is an adaptation of the wired CAN bus protocol to the wireless context, and then to show its interest for the implementation of process control applications through a wireless network.

I. INTRODUCTION

Wireless networks and, more particularly, Wireless LANs are more and more used today in the industrial area where we have real-time applications which require Quality of Service (QoS) guarantees. In this context, the MAC protocols which implement the scheduling of the frames on a shared radio channel have an essential role.

Two main types of MAC protocols are TDMA (Time Division Multiple Access) and CSMA (Carrier Sense Multiple Access). CSMA is a totally distributed procedure whereas TDMA requires some centralized schemes. Then, CSMA is more flexible than TDMA with respect to changes in a network (adding or withdrawing stations and/or applications). Furthermore, CSMA is more suitable for sporadic traffic. In this work, we consider MAC protocols of the type CSMA for single-channel and single-hop WLANs (*i.e.* each node is in the transmission range of the other nodes, we do not have the hidden terminal and exposed terminal problems).

The main MAC protocol used in WLANs and based on CSMA is IEEE 802.11-DCF [2] (DIFS, Backoff, CW (Contention Window)) which does not support packet priorities and traffic differentiations. Another main one supporting packet priorities is IEEE 802.11e EDCA [3] (AIFSSs, Backoff, CW) which allows traffic differentiations (by means of different AIFSSs which expresses priorities represented by different time-outs). Some others in which the priorities are defined based on different sizes of Inter frame spaces, CW and Backoff are [4]. However, the big drawback of these protocols is that collisions can always occur due to the asynchronism between the transmission needs and the random behavior of the Backoff mechanism.

Obtaining collision-free CSMA MAC protocols and the QoS guarantees is possible by associating priorities represented by messages preceding the frames. The first approach is to use the BlackBurst technique [5], [6]. The idea is to let contending nodes send first jamming signals (called BlackBurst (BB)

messages) of length according to the priority. The node that has the longest signal (*i.e.* the highest priority) wins the competition and then sends its frame. The drawback of this technique is that if we have a great priority number, the jamming signals will be very long and give important delays. The second approach is to adapt the MAC protocol of the wired CAN bus [7] (the priority of the frame is expressed by the ID field which precedes the data field) to the wireless context [8]. This protocol is named CANlike. This paper is concerned by an exhaustive presentation of this protocol.

This paper includes the following sections: the section 2 concerns preliminaries which are necessary to well understand and specify the complete problematic; the section 3 presents the specification of the CANlike protocol; the section 4 concerns the conclusion.

II. PRELIMINARIES

We present knowledges concerning the physical (PHY) and MAC layers which are absolutely essential for the specification of the CANlike protocol.

A. Wireless transceiver

In a wireless context (contrarily to the wired context), a transceiver cannot simultaneously send and receive on a channel and has three states: Transmitter, Receiver, Sleeper. Here we do not consider the state “sleeper” which is used for considerations of energy economy.

Two time attributes characterize the transceiver behavior: the channel Sensing Time τ_{ST} and the Turnaround Time τ_{TT} . τ_{ST} allows the transceiver to test the channel state (busy or idle): it is busy or idle depending on the detected energy on τ_{ST} which is higher or lower than a prefixed threshold (this represents the “Clear Channel Assessment” (CCA)). τ_{TT} is the time to go from the receiver (transmitter) state to the transmitter (receiver) state. During a CCA, if the channel is detected busy, the transceiver still stays in the receiver state in order to continue listening to the channel; on the other hand, if the channel is detected idle, the transceiver (after a τ_{TT}) goes in the transmitter state which allows the MAC entity to send a frame. After the frame transmission, the transceiver comes back to the receiver state.

B. Concept of “Ambiguity Time Window”

We introduced this concept [1] in order to quantitatively characterize the ambiguity in the CSMA context of the expression “Channel detected idle at an instant t in a MAC

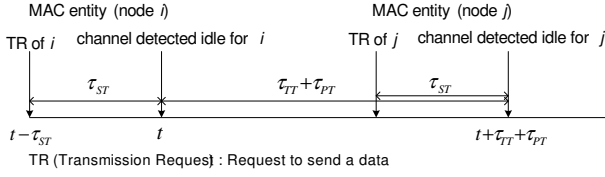


Fig. 1. Ambiguity Time Window.

entity". This expression is ambiguous because it only expresses a local view whereas the channel is geographically distributed. For example, a MAC entity i sees the channel idle at the instant t but just before t , another one has just sent a frame and this frame has not arrived at i yet, a collision can occur when i sends its frame. So a local view can be different from a global one which can create collision situations. The concept of "Ambiguity Time Window" represents the maximal duration which is possible between the decision to send a frame by a MAC entity and the inevitability of the occurrence of a collision on this frame. The quantitative characterization depends on the transceiver parameters (τ_{ST} , τ_{TT}) and the maximum propagation time between two nodes (call τ_{PT} this Propagation Time).

The "Ambiguity Time Window" is represented on Fig. 1. The MAC entity i receives a Transmission Request (TR) from the upper layer at the instant $(t - \tau_{ST})$ to send a data and then makes a CCA during τ_{ST} . We suppose that the channel is detected idle at the instant $t (= t - \tau_{ST} + \tau_{ST})$ and then the MAC entity i decides to send its frame. Its transceiver turns to the Transmit state (during τ_{TT}), and then the frame is transmitted and arrives at the level of the most remote MAC entity j at the instant $(t + \tau_{TT} + \tau_{PT})$.

Suppose that the MAC entity j is just, at this instant, finishing to make a CCA (started by a TR at the instant $(t + \tau_{TT} + \tau_{PT} - \tau_{ST})$) and as the channel has been detected idle during τ_{ST} , it decides to send a frame at the instant $(t + \tau_{TT} + \tau_{PT})$. So we have, at this instant, a situation of an inevitable future physical collision. Actually, the beginning of the arrival of the frame coming from the MAC entity i coincides with the instant where the transceiver of the MAC entity j turns around to go in the transmitter state (duration τ_{TT}). During this time τ_{TT} , the MAC entity j is blind. Then at the end of τ_{TT} , the MAC entity j will start to send its frame and we will then have the physical collision.

The duration $(\tau_{TT} + \tau_{PT})$ is the length of the "Ambiguity Time Window".

C. On the priorities associated to the frames

The priorities of the frames are extracted from the values of an identifier (ID) field. We can consider two types of priorities [9] (static priorities, hybrid priorities) but here we only consider static priorities *i.e.* each flow has a unique priority (specified out of line) and all the frames of this flow have this priority.

D. Concept of tournament

The tournament consists in the comparison of the priorities of the contending frames. This allows to transform a situation which would have been a "collision situation" (if we have the

strict CSMA mechanism *i.e.* only based on the scheme "Listen before Send") into a "winner-loser(s) situation". There will be only one winner who has the highest priority among the contending frames. The winner can send its frame after the tournament while the losers have to wait until the end of the frame transmission of the winner and restart the tournament.

The good functioning of a tournament is dependent of the duration of the ID field. *It is the consideration of the constraint done by the Ambiguity Time Window which allows to specify correctly these durations.*

III. CANLIKE PROTOCOL

A. Principle

As introduced, CANlike is an adaptation of the MAC protocol of the wired bus CAN to the wireless network.

In the wired bus CAN, MAC entities can send bits and listen to the channel simultaneously. Each MAC entity has a unique ID (identifier) field placed at the beginning of the frame. The ID represents the priority and allows to do the channel access tournament. The tournament is done by a comparison bit by bit of the same rank among the IDs of the frames trying to access the channel. In one bit-by-bit comparison, a bit 0 which is a dominant bit overwrites a bit 1 which is a recessive bit. The MAC entity which has the highest priority will be the only one winner after the tournament and it will send its frame.

In the wireless context, the bus CAN protocol cannot be directly implemented with wireless transceivers since the transceivers cannot transmit and receive simultaneously in the same channel, so we consider the proposal, which has been done in [8]: one slot time (duration) is provided for each ID bit, a dominant bit consists in the sending of a carrier pulse during its duration while a recessive bit consists in the sensing/listening of the channel during its duration.

So, in each MAC entity, the tournament on each bit has the following characteristics:

- The MAC entity has a dominant bit: it sends a carrier pulse on the channel and at the end of the sending, it wins by definition the tournament related to this bit and then continues the tournament on the next bit.
- The MAC entity has a recessive bit: either it senses a carrier pulse, then it loses the tournament related to this bit and stops the tournament phase, or it senses nothing (that means that there is no dominant bit sent by another MAC entity) and then it can continue the tournament on the next bit.

B. Main points to consider

Necessity of a synchronization phase: The start of the tournament by a MAC entity (the sending of the first ID bit *i.e.* the MSB bit) must be preceded by the sending of a synchronization (SYN) signal which is an energy pulse (carrier pulse like a dominant bit). The role of the SYN signal is to announce to the other MAC entities the arrival of the ID of this MAC entity and then to provide for them a time reference for the analysis of this ID.

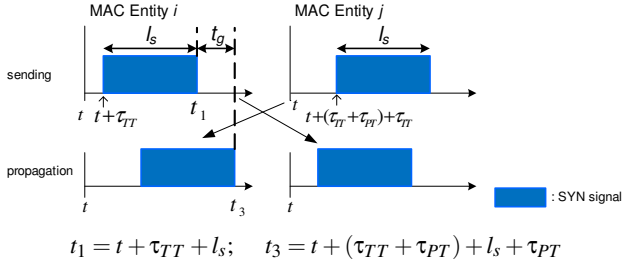


Fig. 2. CANlike: SYN signals.

A MAC entity, which has detected a SYN signal without itself having sent before a SYN signal, do not participate to the tournament.

Necessity of a guard time: Having in mind the time interval defined by the Ambiguity Time Window, several MAC entities can send the SYN signals which will be overlapping. Consequently, in each MAC entity among these MAC entities, the end of the SYN signal sending can be overtaken by the end of the SYN signal arrivals. Considering such situation, a MAC entity cannot send the first ID bit immediately after the SYN signal sending. We need to have a guard time following the SYN signal and then we send the first ID bit. The guard time guarantees that after this time, we have a clean (idle) channel *i.e.* there is no more residue of the SYN activity. We also have the overlap between the ID bits of different rank, then we need to add a guard time at the end of each ID bit.

Necessity of a channel observation time: We need an observation time (noted TOBS1) before the start of a tournament. The role of this time is to ensure that the channel is globally idle and there is neither a tournament nor a transmission in progress.

C. The stages of CANlike

We can now precise the global tournament. All the contending nodes listen to the channel during TOBS1. If the channel is detected idle, all the contending nodes send a SYN signal and then do the tournament by comparing their ID bits from the MSB bit to the LSB bit. The only winner is the one who did not lose on any bit during the tournament. The winner will send its frame while the losers will wait until the end of the frame transmission of the winner before to try to do a new tournament.

D. Specification of CANlike parameters

We have to specify the following parameters: the duration of the SYN signal (noted l_s), the duration of the guard time (noted t_g), the length of the ID bit (noted l_b) and TOBS1.

l_s duration: The SYN signal must be detected by a receiver MAC entity. Then:

$$l_s \geq \tau_{ST} \quad (1)$$

t_g value: Suppose that a MAC entity i sends the SYN signal. The duration t_g is the biggest difference between the end of the SYN signal sending and the end of the propagation of a SYN signal of another MAC entity j .

In order to specify the value t_g , we consider the Ambiguity

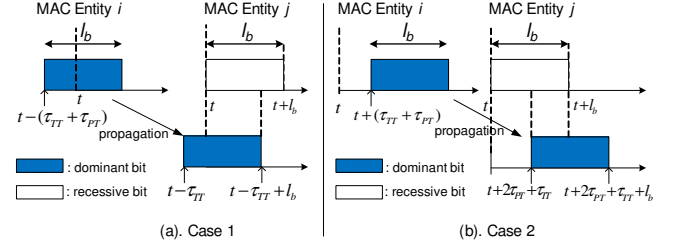


Fig. 3. CANlike: Evaluation of l_b .

Time Window concept with the most constrained scenario which is represented on Fig. 2: the MAC entity i decides to send its SYN signal at the instant t while the MAC entity j decides to send its SYN signal at the instant $t + (\tau_{TT} + \tau_{PT})$ *i.e.* the latest with respect to the one sent by i .

We can see (Fig. 2) that we do not have an overtaking in the MAC entity j because it sends later and that we have an overtaking in the MAC entity i (because it sent earlier). This overtaking ($= t_3 - t_1$) defines the value of t_g . Then we have:

$$t_g = 2\tau_{PT} + \tau_{TT} \quad (2)$$

Remark: As $t_g > \tau_{TT}$, we consider that, during the guard time, a MAC entity makes the turnaround if necessary, which depends on the first ID bit. If the 1st ID bit is a dominant one, it is not necessary (as the MAC entity was in the transmit state for the sending of the SYN signal); if it is a recessive one, we do the turnaround.

l_b duration: We analyze the tournament (after the SYN phase) between the first ID bit of the MAC entity i (this bit is a dominant bit) and the first ID bit of the MAC entity j (this bit is a recessive bit) by considering, always in the context of the Ambiguity Time Window, the following scenarios:

- The MAC entity j starts listening to the channel at the time t and ends the listening state at the time $t + l_b$.
- The MAC entity i starts the sending of the carrier pulse either (case 1) at the time $t - (\tau_{TT} + \tau_{PT})$ *i.e.* at the earliest (Fig. 3.a), or (case 2) at the time $t + (\tau_{TT} + \tau_{PT})$ *i.e.* at the latest (Fig. 3.b).

For the case 1 (Fig. 3.a), the carrier pulse sent by i arrives at j at $t - (\tau_{TT} + \tau_{PT}) + \tau_{PT} = t - \tau_{TT}$ and lasts till $t - \tau_{TT} + l_b$. This arrival must be detected by j (*i.e.* j sees this arrival during at least one τ_{ST}), the condition is: $t - \tau_{TT} + l_b \geq t + \tau_{ST}$ (*i.e.* an overlap at the beginning of the listening state) which gives:

$$l_b \geq \tau_{TT} + \tau_{ST} \quad (3)$$

For the case 2 (Fig. 3.b), the carrier pulse sent by i arrives at j at $t + (\tau_{TT} + \tau_{PT}) + \tau_{PT} = t + \tau_{TT} + 2\tau_{PT}$ and lasts till $t + \tau_{TT} + 2\tau_{PT} + l_b$. The MAC entity j must detect this carrier pulse arrival (*i.e.* j sees this arrival during at least one τ_{ST}), the condition is: $t + \tau_{TT} + 2\tau_{PT} + \tau_{ST} \leq t + l_b$ (*i.e.* an overlap at the end of the listening state) which gives:

$$l_b \geq 2\tau_{PT} + \tau_{TT} + \tau_{ST} \quad (4)$$

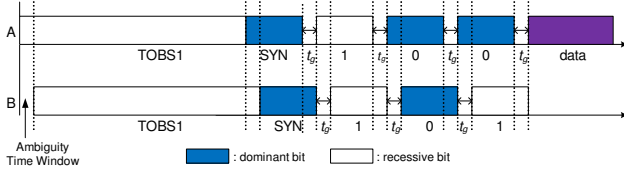


Fig. 4. Example of a time diagram of CANlike.

Considering the constraints (3) and (4), we need $l_b \geq 2\tau_{PT} + \tau_{TT} + \tau_{ST}$. We take here:

$$l_b = 2\tau_{PT} + \tau_{TT} + \tau_{ST} \quad (5)$$

Note that, in the case 2, the end of the arrival of the carrier pulse is higher than $t + l_b$. The difference is $2\tau_{PT} + \tau_{TT}$ which is equal to t_g (2). We thus need a t_g added at the end of each ID bit in order to have a clean system (when the tournament between the bits of a given rank starts, there is nothing on the channel from the tournament between the bits of the previous rank).

We also consider that during t_g , a MAC entity does the turnaround if necessary, which depends on the next ID bit. If next ID bit and the current one are identical, it is not necessary; if they are different, we have to do the turnaround.

TOBS1 duration: TOBS1 must be higher than the maximum duration during a tournament where the channel is idle. This extreme case is when we have a channel access of only one MAC entity which has all recessive ID bits. Considering the ID field of n bits, the channel will be idle during $n(l_b + t_g)$, thus $TOBS1 > n(l_b + t_g)$. We take: $TOBS1 = (n + 1)(l_b + t_g)$.

$$TOBS1 = (n + 1)(4\tau_{PT} + 2\tau_{TT} + \tau_{ST}) \quad (6)$$

E. Summary

We present in Tab. I the values of the parameters which characterize the CANlike protocol.

Concerning the duration of the SYN signal l_s , we only indicated its constraint in (1) ($l_s > \tau_{ST}$). We consider that it is not necessary to distinguish its duration from the ID bit duration and then we take the same value ($l_s = l_b$).

$l_b = l_s$	$2\tau_{PT} + \tau_{TT} + \tau_{ST}$
t_g (for l_b and l_s)	$2\tau_{PT} + \tau_{TT}$
TOBS1	$(n + 1)(4\tau_{PT} + 2\tau_{TT} + \tau_{ST})$

TABLE I. CANLIKE PARAMETERS.

From these parameters, we can deduce the time for accessing the channel (called τ_a) by the winner. τ_a composes of the observation phase, the SYN phase and the tournament phase:

$$\begin{aligned} \tau_a &= TOBS1 + (l_s + t_g) + n(l_b + t_g) \\ \tau_a &= 2(n + 1)(4\tau_{PT} + 2\tau_{TT} + \tau_{ST}) \end{aligned} \quad (7)$$

F. Example of a time diagram of CANlike

We present an example of the tournament of CANlike on Fig. 4. We consider an ID field of 3 bits and the tournament of 2 nodes A and B which have the priorities (1; 0; 0) and (1; 0; 1) respectively. Thus A has a higher priority than B. The

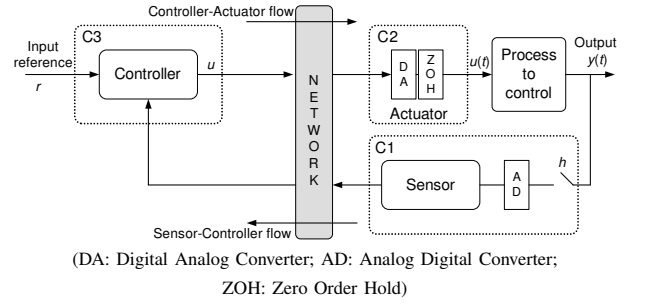


Fig. 5. Implementation of a process control application through a network.

node B starts the tournament later (of one Ambiguity Time Window) than the node A. At the 1st ID bit, the two nodes, which have recessive bits, find the channel idle; at the 2nd ID bit, the two nodes have dominant bits so they continue the next bit; at the last ID bit, A has a dominant bit so it is the winner by definition while B, which has a recessive bit, finds the channel busy and then B stops the tournament. A then sends its data.

IV. CONCLUSION

In this paper, we have tried to do an exhaustive and pedagogical presentation of the specification process of the CANlike protocol. We have shown how the main elements of the tournament (synchronization signal, bits of the ID field, guard time, TOBS1) depend on the physical parameters (τ_{ST} , τ_{TT} , τ_{PT}) and on the concept of ‘‘Ambiguity time window’’.

We want also to show in this conclusion the interest of this protocol, in considering real-time traffic and in comparison with a protocol used very often in the wireless context (IEEE.802.11-DCF). In this goal, we have, at first, considered an example of a process control application the characteristics of which are: the process to control has the transfer function [10] $G(s) = \frac{1000}{s(s+1)}$ and the controller is a Proportional Derivative (PD) controller (transfer function: $K(1 + T_d s)$) in order to have a phase margin of 45° which imposes $K = 0.7291$; $T_d = 0.0297$ s. The input reference $r(t)$ is a unity position step and the feedback is made by taking directly the output $y(t)$. The performance of this application *i.e.* the Quality of Control (QoC) is evaluated by means of a cost function ITSE (Integral of Time weighted Square Error) noted J with $J = \int t(r(t) - y(t))^2 dt$. We call J_0 the value which is obtained without the network. Then we have considered the implementation of such four Process control applications (P_i with $i = \{1, 2, 3, 4\}$) through a network where the MAC protocol is either IEEE 802.11-DCF protocol or the CANlike protocol. The analysis of the implementation has been done by using the tool TrueTime [11] and by considering, for the frame format the frame of IEEE 802.11-DCF (for the CANlike protocol we add also an ID field of 8 bits).

The scheme of the implementation of a process control application through a network is shown on Fig. 5. We have two frame flows: the sensor-controller flow (noted f_{sc}) and the controller-actuator flow (noted f_{ca}). Then considering the implementation of the four applications through the network, we have eight flows which share the network and compete for

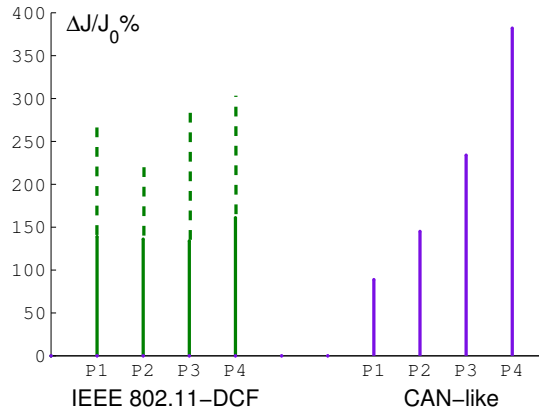


Fig. 6. Graphic representation of the QoC ($\Delta J/J_0\%$).

its use: f_{sci}, f_{cai} , with $i = \{1, 2, 3, 4\}$. Accounting for the delays which will affect the frames of these flows, the performances obtained for the four applications implemented through a network will be obviously less good than for the application implemented without the network and will also depend on the protocol (IEEE 802.11-DCF, CANlike). Concerning CANlike, we consider the following scheme of the priorities for the frames of the flows f_{sc} and f_{ca} : $\text{prio } f_{ca1} > \text{prio } f_{ca2} > \text{prio } f_{ca3} > \text{prio } f_{ca4} > \text{prio } f_{sc1} > \text{prio } f_{sc2} > \text{prio } f_{sc3} > \text{prio } f_{sc4}$ which means that we consider: importance $P_1 > \text{importance } P_2 > \text{importance } P_3 > \text{importance } P_4$.

The comparison between the performances obtained, by the implementation of the four process control applications, with the two protocols, IEEE 802.11-DCF and CANlike, is made with the performance criteria $\frac{J-J_0}{J_0}\% = \frac{\Delta J}{J_0}\%$ which shows the deviation of the QoC in comparison with the result obtained (J_0) when the implementation is done without network (this comparison shows the influence of the delays induced by the protocols) The higher the value $\frac{\Delta J}{J_0}\%$ is, the more degraded the QoC is.

The Fig 6 shows the results which have been obtained. Concerning the IEEE 802.11-DCF we did 20 simulations and we have represented the mean value by a simple line and the maximum gap between the results of the 20 simulations with a dotted underline. We see that this protocol induces big gaps between the performances, which can be obtained for each application, and then it cannot guarantee a performance (*i.e.* we have random performances).

On the other hand, we see that the CANlike protocol guarantees performances which obviously depend on the priority associated to the flows of the process control applications (higher is the priority, better is the performance). We have here deterministic performances.

ACKNOWLEDGMENT

This work has been partly funded by the project OSEO AMIC-TCP (Architecture Multiplexage Informatique Communication pour Transport en Commun de Personnes). We want to express here our sincere thanks.

REFERENCES

- [1] H. Nguyen Xuan, G. Juanole, G. Mouney, and C. Calmettes, "Wireless communication networks and process control applications: studying the influence of MAC protocols," in *Proc. IEEE Globecom 2010, Workshop SaCoNAS*, Miami, Florida, USA, Dec 2010.
- [2] B. Crow, W. I., K. L.G., and S. P.T., "IEEE 802.11 Wireless Local Area Networks," *IEEE Communications Magazine*, vol. 35, pp. 116–126, September 1997.
- [3] 802.11e 2005, "IEEE Standard for Information Technology - Telecommunications and Information Exchange Between Systems - Local and Metropolitan Area Networks - Specific Requirements Part 11: Wireless LAN Medium Access Control (MAC) and Physical Layer (PHY) Specifications Amendment 8: Medium Access Control (MAC) Quality of Service Enhancements," 2005.
- [4] D.-J. Deng and R.-S. Chang, "A Priority Scheme for IEEE 802.11 DCF Access Method," *IEICE Trans Commun (Inst Electron Inf Commun Eng)*, vol. E82-B, no. 1, pp. 96–102, 1999.
- [5] J. Sobrinho and A. Krishnakumar, "Real-time traffic over the IEEE 802.11 Medium Access Control Layer," *Bell Labs Technical Journal*, vol. 10, no. 1, pp. 172–187, 1996.
- [6] A. Pal, A. Dogan, and F. Özgüner, "MAC Layer Protocols for Real-Time Traffic in Ad-Hoc Wireless Networks," in *Proceedings of the 2002 International Conference on Parallel Processing (ICPP'02)*. Washington, DC, USA: IEEE Computer Society, 2002, pp. 539–546.
- [7] G. Bosch, "Can specification 2.0, 1991. [online]. Available: www.can-cia.de/fileadmin/cia/specifications/can20a.pdf."
- [8] N. Pereira, B. Andersson, and E. Tovar, "WiDom: A Dominance Protocol for Wireless Medium Access," *IEEE Transactions on Industrial Informatics*, vol. 3, no. 2, pp. 120–130, May 2007.
- [9] H. Nguyen Xuan, "Réseaux de communication et applications de contrôle-commande," Ph.D. dissertation, Univ de Toulouse, INSA, LAAS, Toulouse, France, Dec 2011.
- [10] K. J. Åström and B. Wittenmark, *Computer-controlled systems: Theory and design*, 3rd ed. Prentice Hall, 1997.
- [11] M. Ohlin, D. Henriksson, and A. Cervin, *TrueTime 1.5 – Reference Manual*, Lund Institute of Technology, Sweden, Jan 2007.