



HAL
open science

An Isotopic Perturbation Lemma Along Periodic Orbits

Nicolas Gourmelon

► **To cite this version:**

| Nicolas Gourmelon. An Isotopic Perturbation Lemma Along Periodic Orbits. 2012. hal-00769205

HAL Id: hal-00769205

<https://hal.science/hal-00769205v1>

Preprint submitted on 29 Dec 2012

HAL is a multi-disciplinary open access archive for the deposit and dissemination of scientific research documents, whether they are published or not. The documents may come from teaching and research institutions in France or abroad, or from public or private research centers.

L'archive ouverte pluridisciplinaire **HAL**, est destinée au dépôt et à la diffusion de documents scientifiques de niveau recherche, publiés ou non, émanant des établissements d'enseignement et de recherche français ou étrangers, des laboratoires publics ou privés.

AN ISOTOPIC PERTURBATION LEMMA ALONG PERIODIC ORBITS

NIKOLAZ GOURMELON

Institut de Mathématiques de Bordeaux
Université Bordeaux 1
351, cours de la Libération
F 33405 TALENCE cedex, FRANCE

RÉSUMÉ. D'après un célèbre lemme de John Franks, toute perturbation de la différentielle d'un difféomorphisme f le long d'une orbite périodique est réalisée par une C^1 -perturbation g du difféomorphisme sur un petit voisinage de ladite orbite. On n'a cependant aucune information sur le comportement des variétés invariantes de l'orbite périodique après perturbation.

Nous montrons que si la perturbation de la dérivée est obtenue par une isotopie le long de laquelle existent les variétés stables/instables fortes de certaines dimensions, alors on peut faire la perturbation ci-dessus en préservant les variétés stables/instables semi-locales correspondantes. Ce résultat a de nombreuses applications en systèmes dynamiques de classes C^1 . Nous en démontrons quelques unes.

ABSTRACT. A well-known lemma by John Franks asserts that one obtains any perturbation of the derivative of a diffeomorphism along a periodic orbit by a C^1 -perturbation of the whole diffeomorphism on a small neighbourhood of the orbit. However, one does not control where the invariant manifolds of the orbit are, after perturbation.

We show that if the perturbed derivative is obtained by an isotopy along which some strong stable/unstable manifolds of some dimensions exist, then the Franks perturbation can be done preserving the corresponding stable/unstable semi-local manifolds. This is a general perturbative tool in C^1 -dynamics that has many consequences. We give simple examples of such consequences, for instance a generic dichotomy between dominated splitting and small stable/unstable angles inside homoclinic classes.

1. Introduction. This paper gives complete and detailed proofs of the results contained in the preprint [13]. While the formalism used to state them here is different, the results of this paper are equivalent or slightly stronger than those of [13].¹

2000 *Mathematics Subject Classification.* Primary: 37C25, 37C29; Secondary: 37C20, 37D10.

Key words and phrases. Franks Lemma, periodic point, saddle point, linear cocycle, perturbation, stable/unstable manifold, dominated splitting, homoclinic tangency, small angles.

The author was supported by the Institut de Mathématiques de Bourgogne (Université de Dijon) by IMPA (Rio de Janeiro) and by the Institut de Mathématiques de Bordeaux (Université de Bordeaux I).

¹The formalism of regular/confined neighborhoods and "preservation of (I, J) -invariant manifolds outside a set, before first return" introduced [13] is omitted in this paper. We prefer to deal with the simpler and more familiar notion of local stable/unstable manifolds.

A few C^1 -specific tools and ideas are fundamental in the study the dynamics of C^1 -generic diffeomorphisms on compact manifolds, that is, diffeomorphisms of a residual subset of the set $\text{Diff}^1(M)$ of C^1 -diffeomorphisms on a Riemannian manifold M .

On the one hand, one relies on closing and connecting lemmas to create periodic points and to create homoclinic relations between them. After the C^1 -Closing Lemma of Pugh [18], a recurrent orbit can be closed by an arbitrarily small C^1 -perturbation. The connecting lemma of Hayashi [14], whose proof relies on ideas derived from that of the closing lemma, says that if the unstable manifold of a saddle point accumulates on a point of the stable manifold of another saddle, then a C^1 -perturbation creates a transverse intersection between the two manifolds. That was further generalized by Wen, Xia and Arnaud in [22, 1] and Bonatti and Crovisier in [3, 10], where powerful generic consequences are obtained.

On the other hand, we have tools to create dynamical patterns by C^1 -perturbations in small neighbourhoods of periodic orbit. John Franks [11] introduced a lemma that allows to reach any perturbation of the derivative along a periodic orbit as a C^1 -perturbation of the whole diffeomorphism on an arbitrarily small neighbourhood of that orbit. This allows to systematically reduce C^1 -perturbations along periodic orbits to linear algebra.

Other perturbation results are about generating homoclinic tangencies by C^1 -perturbations near periodic saddle points. To prove the Palis C^1 -density conjecture in dimension 2 (there is a C^1 -dense subset of diffeomorphisms of surfaces that are hyperbolic or admit a homoclinic tangency), Pujals and Sambarino [20] first show that if the dominated splitting between the stable and unstable directions of a saddle point is not strong enough, then a C^1 -perturbation of the derivative along the orbit induces a small angle between the two eigendirections. They apply the Franks' Lemma and do another perturbation to obtain a tangency between the two manifolds. In [21], Wen gave a generalization of that first step in dimension greater than 2 under similar non-domination hypothesis.

These perturbations results rely on the Franks' lemma which unfortunately fails to yield any information on the behaviour of the invariant manifolds of the periodic point. In particular, one does not control a priori what homoclinic class the periodic point will belong to, what strong connections it may have after perturbation, and it may not be possible to apply a connecting lemma in order to recreate a broken homoclinic relation.

In [12], a technique is found to preserve any fixed finite set in the invariant manifolds of a periodic point for particular types of perturbations along a periodic orbit. In particular it implies that one can create homoclinic tangencies inside homoclinic classes on which there is no stable/unstable uniform dominated splitting. This technique however is complex and difficult to adapt to other contexts.

In this paper, we provide a simple setting in which the Franks' perturbation lemma can be tamed into preserving most of the invariant manifolds of the saddle point. Let us first state the Franks' Lemma:

Although it seems that the former formalism made a number of proofs shorter, that feeling is skewed by the level of detail of this paper and by the fact that most of the technical difficulties in [13] are omitted or concealed. Only Section 3 and the proofs of Propositions 2.9 and 2.10 would indeed be slightly shorter in the former formalism, other things being equal, as well as the statement of the main results.

Lemma (Franks). *Let f be a diffeomorphism. For all $\epsilon > 0$, there is $\delta > 0$ such that, for any periodic point x of f , for any δ -perturbation (B_1, \dots, B_p) of the p -tuple (A_1, \dots, A_p) of matrices that corresponds to the derivative Df along the orbit of x , for any neighbourhood \mathcal{U} of the orbit of x , one finds a C^1 ϵ -perturbation g of f on \mathcal{U} that preserves the orbit of x and whose derivative along it corresponds to (B_1, \dots, B_p) .*

We introduce a perturbation theorem that extends the Franks' Lemma, controlling both the behaviour of the invariant manifolds of X , and the size of the C^1 -perturbation needed to obtain the derivative (B_1, \dots, B_p) . Precisely, we prove that if the perturbation is done by an isotopy along a path of 'acceptable derivatives', that is, if the strong stable/unstable directions of some indices exist all along along that path, then the diffeomorphism g can be chosen so that it preserves corresponding local strong stable/unstable manifolds outside of an arbitrarily small neighbourhood. Moreover, the size of the perturbation can be found arbitrarily close to the radius of the path.

In order to prove our main theorem, we will rely on the fundamental C^r -perturbative Proposition 1.4 and the C^1 -linearization Corollary 5. These results are stated in Section 1.3. In Section 2, we show that Proposition 1.4 and its corollary induce the main theorem. A major difficulty of this paper is the proof of Proposition 1.4, which occupies Sections 3 to 5.

In section 6, we give examples of a few isotopic perturbative results on linear cocycles, to show possible applications of our main theorem. For instance, we can turn the eigenvalues of a large period saddle point to have real eigenvalues, and preserve at the same time most of its strong stable/unstable manifolds. We also deduce a generic dichotomy inside homoclinic classes between dominated splittings and small angles. Another general isotopic perturbative result on periodic cocycles has been shown by

This result has already allowed a number of new developments by Potrie [17] and Bonatti, Crovisier, Díaz and Gourmelon [4]). Some impressive results have recently been announced by Bonatti and Shinohara, and by Bonatti, Crovisier and Shinohara. These are detailed in the next section.

Remerciements : *Je remercie chaleureusement Jairo Bochi, Christian Bonatti, Sylvain Crovisier, Lorenzo Díaz et Rafael Potrie pour de nombreuses discussions, suggestions et encouragements ainsi que Marcelo Viana, le CNPQ et l'IMPA (Rio de Janeiro). Enfin, un grand merci au rapporteur de cet article pour son travail considérable et les précieux conseils qu'il m'a donnés.*

1.1. Statement of results. Let A be a linear map such that its eigenvalues $\lambda_1, \dots, \lambda_d$, counted with multiplicity and ordered by increasing moduli, satisfy $|\lambda_i| < \min(|\lambda_{i+1}|, 1)$. Then the i -strong stable direction of A is defined as the i -dimensional invariant space corresponding to eigenvalues $\lambda_1, \dots, \lambda_i$.

If P is a periodic point of period p for a diffeomorphism f and if the first return map Df^p admits an i -strong stable direction, then there is inside the stable manifold of the orbit Orb_P of P a unique boundaryless i -dimensional f -invariant manifold that is tangent to that direction at P . We call it the i -strong stable manifold of the orbit Orb_P for f , and denote it by $W^{i,ss}(P, f)$. One defines symmetrically the i -strong unstable manifolds, replacing f by f^{-1} , and denote them by $W^{i,uu}(P, f)$.

We denote by $W^{s/u}(P, f)$ the *stable/unstable* manifold of the orbit Orb_P of P , that is the strong stable/unstable manifold of maximum dimension.

For $\theta \in \{s, u\}$ or any θ of the form "*i, ss*" or "*i, uu*" we denote by $W_\varrho^\theta(P, f)$ be the set of points in $W^\theta(P, f)$ whose distance to the orbit of x within $W^\theta(P, f)$ is less or equal to ϱ . We call it the (*i*-strong) (un)stable manifold of size ϱ .

Finally, if we have both $f = g$ and $f^{-1} = g^{-1}$ by restriction to (resp. outside) some set K , then we write " $f^{\pm 1} = g^{\pm 1}$ on K " (resp. " $f^{\pm 1} = g^{\pm 1}$ outside K ").

We are now ready to state the main theorem:

Theorem 1. *Let P be a p -periodic point for a diffeomorphism f on a Riemannian manifold $(M, \|\cdot\|)$. Fix a path*

$$\{\mathcal{A}_t = (A_{1,t}, \dots, A_{p,t})\}_{t \in [0,1]}$$

where each $A_{n,t}$ is a linear map from $T_{f^{n-1}(P)}M$ to $T_{f^n(P)}M$, and the p -tuple $\mathcal{A}_0 = (A_{1,0}, \dots, A_{p,0})$ is the derivative of f along Orb_P . Let I (resp. J) be the set of integers $i > 0$ such that, for all $t \in [0, 1]$, the linear endomorphism $B_t = A_{p,t} \circ \dots \circ A_{1,t}$ admits an *i*-strong stable (resp. unstable) direction. Then,

- for any δ greater than the radius of the path \mathcal{A}_t , that is,

$$\delta > \max_{\substack{1 \leq n \leq p \\ t \in [0,1]}} \{ \|A_{n,t} - A_{n,0}\|, \|A_{n,t}^{-1} - A_{n,0}^{-1}\| \}^2,$$

- for any $\varrho > 0$, and any families $\{K_i\}_{i \in I}$ and $\{L_j\}_{j \in J}$ of compact sets such that $K_i \subset W_\varrho^{i,ss}(P, f) \setminus \{\text{Orb}_P\}$ and $L_j \subset W_\varrho^{j,uu}(P, f) \setminus \{\text{Orb}_P\}$,
- for any neighborhood U_P of Orb_P ,

there is a δ -perturbation g of f , for the C^1 -topology, such that it holds:

- $f^{\pm 1} = g^{\pm 1}$ throughout Orb_P and outside U_P ,
- the derivative of g along Orb_P is the tuple $\mathcal{A}_1 = (A_{1,1}, \dots, A_{p,1})$,
- For all $(i, j) \in I \times J$, we have

$$K_i \subset W_\varrho^{i,ss}(P, g) \text{ and } L_j \subset W_\varrho^{j,uu}(P, g).$$

That is, for all $i \in I$, the "semilocal" *i*-strong stable manifold of f can be made to be preserved inside the a local *i*-strong stable manifold, after the Franks' perturbation, and likewise for the *j*-strong unstable manifolds, for all $j \in J$.

Remark 1.1. One could take the compact sets $K_i \subset W^{i,ss}(P, f) \setminus \{\text{Orb}_P\}$ and $L_j \subset W^{j,uu}(P, f) \setminus \{\text{Orb}_P\}$ and replace $K_i \subset W_\varrho^{i,ss}(P, g)$ in the conclusions of the theorem by the simpler

$$K_i \subset W^{i,ss}(P, g).$$

However this conclusion is strictly weaker, indeed it would give way to possibly annoying situations as depicted in Figure 1.1.

Let us give examples of applications of Theorem 1. We already knew that the derivative along a saddle of large period may be perturbed in order to get real eigenvalues [3, 8], or that the derivative along a long-period saddle with a weak stable/unstable dominated splitting may be perturbed in order to get a small stable/unstable angle [7]. In Section 6.4 we show that these perturbations can be obtained following 'good' paths of cocycles, in the sense that one can apply Theorem 1 to them. As a consequence, if the period of a saddle is large, then it is possible to perturb it to turn the eigenvalues of the first return map to be real,

² $\|A\|$ is the operator norm of the morphism of Euclidean spaces $A: T_{f^{n-1}(P)}M \rightarrow T_{f^n(P)}M$.

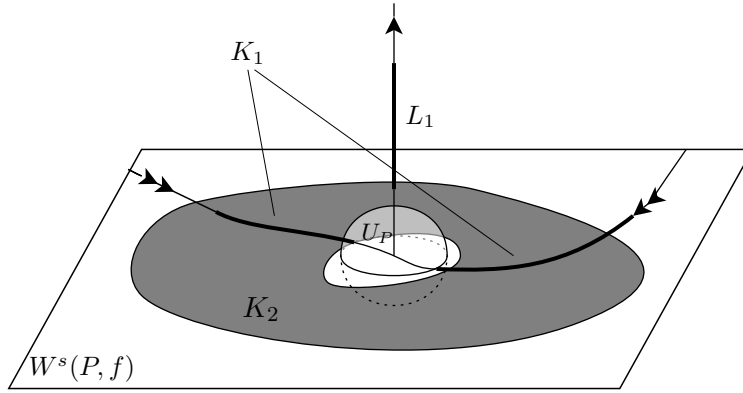


FIGURE 1. Illustration of Theorem 1

Assume that, for all times $0 \leq t \leq 1$, the first return linear map B_t admits an 1-strong unstable, a 1 and 2-strong stable manifolds. The perturbation g is such that K_1, K_2 and L_1 are left respectively in the 1- and 2-strong stable and 1-strong unstable manifolds of size ϱ for g .

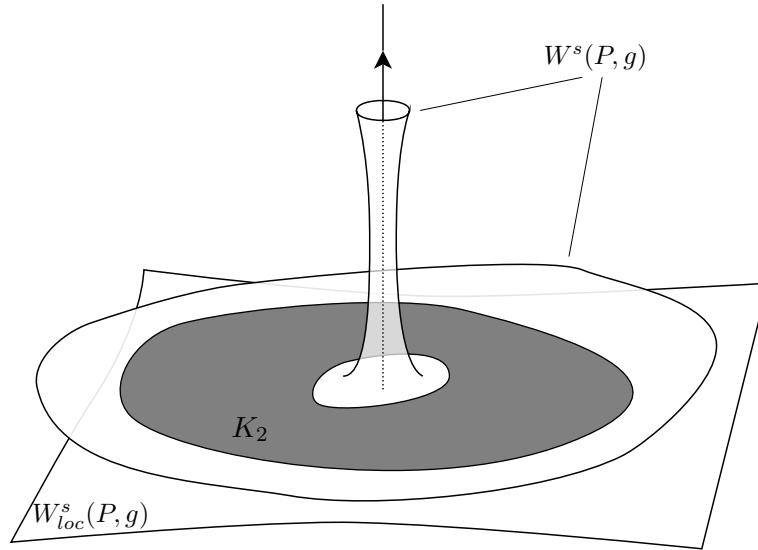


FIGURE 2. Under the same hypotheses as in Figure 1.1, the compact K_2 may stay in the stable manifold for a perturbation g of f without remaining in the local stable manifold. Such picture is forbidden by the conclusions of our theorem.

while preserving their moduli and the strong stable and unstable manifolds, outside of a small neighbourhood:

Theorem 2. *Let f be a diffeomorphism of M and $\epsilon > 0$ be a real number. There exists an integer $N \in \mathbb{N}$ such that for any*

- *periodic point P of period $p \geq N$,*
- *neighbourhood U_P of the orbit Orb_P of P ,*
- *number $\varrho > 0$ and families of compact sets*

$$K_i \subset W_\varrho^{i,ss}(P, f) \setminus \{\text{Orb}_P\}, \quad \text{for all } i \in I$$

$$L_j \subset W_\varrho^{j,uu}(P, f) \setminus \{\text{Orb}_P\}, \quad \text{for all } j \in J,$$

where I and J are the sets of the strong stable and unstable dimensions,

there is a C^1 - ϵ -perturbation g of f such that

- *$f^{\pm 1} = g^{\pm 1}$ throughout Orb_P and outside U_P ,*
- *the eigenvalues of the first return map $Dg^p(P)$ are real and their moduli are the same as for f ,*
- *for all $(i, j) \in I \times J$, we have*

$$K_i \subset W_\varrho^{i,ss}(P, g) \text{ and } L_j \subset W_\varrho^{j,uu}(P, g).$$

We also prove a generic dichotomy between small stable/unstable angles and stable/unstable dominated splittings within homoclinic classes. Finally, we prove a generic dichotomy between small stable/unstable angles and a weak form of hyperbolicity. Before stating it more precisely, we give quick definitions:

A *residual* subset of a Baire space is a set that contains a countable intersection of open and dense subsets.

A *saddle point* for a diffeomorphism is a hyperbolic periodic point that has non-trivial stable and unstable manifolds. The *index* of a saddle is the dimension of its stable manifold. The *stable (resp. unstable) direction* of a saddle P is the tangent vector space to the stable (resp. unstable) manifold at P . The *minimum stable/unstable angle* of a saddle P is the minimum of the angles between a vector of the stable direction of P and a vector of the unstable direction.

We say that a saddle point P is *homoclinically related* to another saddle point Q if and only if the unstable manifold $W^u(P)$ of the orbit of P (resp. $W^u(Q)$) intersects transversally the stable manifold $W^s(Q)$ (resp. $W^s(P)$). The *homoclinic class* of a saddle point P is the closure of the transverse intersections of $W^s(P)$ and $W^u(P)$. One easily shows that it also is the closure of the set of saddles homoclinically related to P .

A *dominated splitting* above a compact invariant set K for a diffeomorphism f is a splitting of the tangent bundle $TM|_K = E \oplus F$ into two vector subbundles such that the vectors of E are uniformly exponentially more contracted or less expanded than the vectors of F by the iterates of the dynamics (see definition 6.1). The *index* of that dominated splitting is the dimension of E .

For all $1 \leq r \leq \infty$, we denote by $\text{Diff}^r(M)$ the space of C^r diffeomorphisms.

Theorem 3. *There exists a residual set $\mathcal{R} \subset \text{Diff}^1(M)$ of diffeomorphisms f such that for any saddle point P of f , we have the following dichotomy:*

- *either the homoclinic class $H(P, f)$ of P admits a dominated splitting of same index as P*
- *or, for all $\epsilon > 0$, there is a saddle point Q_ϵ homoclinically related to P such that it holds:*
 - *the minimum stable/unstable angle of Q_ϵ is less than ϵ ,*

- the eigenvalues of the derivative of the first return map at Q_ϵ are all real and pairwise distinct,
- each of these eigenvalues has modulus less than ϵ or greater than ϵ^{-1} .

That result parallels [12, Theorem 1.1]. Indeed, if these three conditions are satisfied for small ϵ , then there are fundamental domains of the stable and unstable manifolds of Q that are big before the minimal distance that separates them, in such a way that these two manifolds can be intertwined by small perturbations. In particular, it is possible to create tangencies between them by small perturbations that keep Q in the homoclinic class of P .

We finally give a version of [12, Theorem 4.3] where the derivative is preserved, that is, we show that if the stable/unstable dominated splitting along a saddle is weak and if the period of that saddle is large, then one obtains homoclinic tangency related to that saddle by a C^1 -perturbation that preserves the orbit of the saddle and the derivative along it. Moreover, one may keep any preliminarily fixed finite set in the invariant manifolds of the saddle.

1.2. Further applications of Theorem 1. Using Theorem 1, Rafael Potrie [17] got interesting results on generic Lyapunov stable and bi-stable homoclinic classes. In particular, he showed that, C^1 -generically, if H is a quasi-attractor containing a dissipative periodic point, then it admits a dominated splitting.

The main theorem of this paper was followed by another result by Bonatti and Bochi [2] that generalized previous results about perturbation of derivatives along periodic points in C^1 -topology [16, 6, 8]. More precisely, given a tuple of matrices $\mathcal{A} = (A_1, \dots, A_p)$, they give a full description of the tuples of moduli of eigenvalues of the product $B = A_p \dots A_1$ (equivalently, of Lyapunov exponents) that one can reach by small isotopic perturbations of \mathcal{A} . Moreover, they prove that if strong stable or unstable direction of some dimensions exist at both the initial and final time, then the isotopy \mathcal{A}_t can be built so that at all times of the isotopy there are strong stable and unstable directions of those dimensions. In other words, the isotopy matches the hypotheses of Theorem 1.

Theorem 1 and [2, Theorem 4.1] thus give a very general method to perturb derivatives inside homoclinic classes, to preserve strong connections and to create new ones. This led recently to a number of developments in the study of C^1 -generic dynamical systems. Let us detail the most important ones.

In [4], Bonatti, Crovisier, Díaz and Gourmelon showed a number of generic results on homoclinic classes and produced new examples of wild dynamics. In particular, they showed that if a homoclinic class has no dominated splitting and if C^1 -robustly it contains two saddle points of different indices, then it induces a particular type of wild dynamics, called "viral". Indeed, such homoclinic class has a replication property: there exists an arbitrarily small C^1 -perturbation of the dynamics such that there is a new homoclinic class Hausdorff close to the continuation of the first one, but not in the same chain-recurrent class,³ and such that that new homoclinic class satisfies the same properties.

In particular, this produces a locally residual set of diffeomorphisms that have uncountably many chain-recurrent classes. By Kupka-Smale's theorem, uncountably many of those chain-recurrent classes have no periodic orbits, that is, are *aperiodic*.

³An ϵ -pseudo orbit is a sequence x_1, \dots, x_n such that $\text{dist}(f(x_i), x_{i+1}) < \epsilon$, for all i . Two points $x \neq y$ are in the same chain-recurrent class, if for any $\epsilon > 0$ there is an ϵ -pseudo orbit that goes from x to y and another that goes from y to x .

An question since the first production of examples of locally generic dynamics with aperiodic chain-recurrent classes (by Bonatti and Díaz [5]), was whether such aperiodic classes could generically have non-trivial dynamics. It was not known if there could exist locally generic dynamics were aperiodic classes were not all minimal, or had non-zero Lyapunov exponents.

Recently, using (among other ideas) an extension of Theorem 1 in dimension 3, namely the result announced in Section 7, using and [2, Theorem 4.1 and Proposition 3.1], and pushing further the ideas of [4] and [9], Bonatti and Shinohara have announced that they can produce open sets of diffeomorphism, where generic diffeomorphisms admit uncountably many non-minimal chain-recurrent classes.

Moreover, Bonatti, Crovisier and Shinohara announced recently that those techniques can also be used to find a C^1 -generic counter example to Pesin's theory, thus generalizing the result of Pugh [19]: for $\dim(M) \geq 3$, there exists open sets of $\text{Diff}^1(M)$ in which generic diffeomorphisms admit non-uniformly hyperbolic invariant measures supported by aperiodic chain-recurrent classes that have trivial stable and unstable manifolds.

1.3. Statement of the Main Perturbation Proposition. We state the main results that lead to Theorem 1. These are perturbation results that hold in C^r -topology, for all $1 \leq r \leq \infty$, although we only use their C^1 -versions to prove Theorem 1. The C^r results may be of great interest in other contexts.

While the diffeomorphisms f we will consider in the following may vary, they will all coincide along the orbit Orb_P of some common periodic point P , and all stable or unstable manifolds of this paper will be those of that orbit. Thus we can unambiguously denote the stable and unstable manifolds of the orbit Orb_P of P for f simply by $W^s(f)$ and $W^u(f)$. Likewise, we denote the i -strong stable/unstable manifolds of Orb_P for f simply by $W^{ss,i}(f)/W^{uu,i}(f)$.

Let P be a p -periodic point for a diffeomorphism f such that it admits an i -strong stable manifold. We follow the notations of [15] for local strong stable/unstable manifolds:

Definition 1.2. A set $W^+(f)$ is a *local i -strong stable manifold* for f if it is an f -invariant union of disjoint disks $\{D_n\}_{0 \leq n < p}$, where each D_n is a smooth ball inside the strong stable manifold $W^{ss,i}(f)$ and $f^n(P)$ is in the interior of D_n .

We define symmetrically a set $W^-(f)$ to be a *local j -strong unstable manifold* for f if it is a local j -strong stable manifold for f^{-1} . Now, we can do the following:

Remark 1.3. Let P be a periodic point for f and f_k be a sequence in $\text{Diff}^r(M)$ that converges C^r to f , where each f_k coincides with f throughout Orb_P . Then, by the stable manifold theorem, for any strong stable manifold $W^+(f)$ there is a sequence of local strong stable manifolds $W^+(f_k)$ that converges to it C^r -uniformly. And symmetrically for local strong unstable manifolds.

Proposition 1.4 (Main perturbation proposition). *Fix $1 \leq r \leq \infty$. Let g_k and h_k be two sequences in $\text{Diff}^r(M)$ converging to a diffeomorphism f , such that f , g_k and h_k coincide throughout the orbit Orb_P of a periodic point P . Let $\{W^+(h_k)\}_{k \in \mathbb{N}}$ be a sequence of local strong stable manifolds of Orb_P for the diffeomorphisms h_k that converges to a local strong stable manifold $W^+(f)$ for f , C^r -uniformly. Define symmetrically local strong unstable manifolds $W^-(h_k)$ and $W^-(f)$.*

For any neighborhood U_P of the orbit Orb_P , there exists:

- a neighborhood $V_P \subset U_P$ of Orb_P ,

- a sequence f_k of $\text{Diff}^r(M)$ converging to f ,
- two sequences of local strong stable and unstable manifolds $W^+(f_k)$ and $W^-(f_k)$ of Orb_P that tend respectively to $W^+(f)$ and $W^-(f)$, in the C^r topology,

such that it holds, for any k greater than some $k_0 \in \mathbb{N}$:

- $f_k^{\pm 1} = g_k^{\pm 1}$ inside V_P
- $f_k^{\pm 1} = h_k^{\pm 1}$ outside U_P ,
- For any integer $i > 0$, if Orb_P has an i -strong stable manifold $W^{ss,i}(f)$ for f , then $W^{ss,i}(f_k)$ and $W^{ss,i}(h_k)$ also exist and coincide "semilocally outside U_P ", i.e.

$$[W^+(f_k) \cap W^{ss,i}(f_k)] \setminus U_P = [W^+(h_k) \cap W^{ss,i}(h_k)] \setminus U_P,$$

and likewise, replacing stable manifolds by unstable ones.

Corollary 4 (C^r -linearization lemma). *Let $1 \leq r \leq \infty$. Let P be a periodic hyperbolic point of a diffeomorphism $f \in \text{Diff}^r(M)$ and let $W^+(f)$ and $W^-(f)$ be respectively local strong stable and unstable manifolds of its orbit Orb_P . Let U_P be a neighborhood of Orb_P . Then, there exists a sequence f_k tending to f in $\text{Diff}^r(M)$ and two sequences of local strong stable and unstable manifolds $W^+(f_k)$ and $W^-(f_k)$ of Orb_P such that it holds, for all $k \in \mathbb{N}$:*

- $f^{\pm 1} = f_k^{\pm 1}$ throughout Orb_P and outside U_P ,
- P is a hyperbolic point for f_k and the linear part of f_k^p at P has no resonances, where p is the period of P . In particular, f_k is locally C^r -conjugate to its linear part along the orbit of P .
- For any integer $i > 0$, if Orb_P has an i -strong stable manifold $W^{ss,i}(f)$ for f , then $W^{ss,i}(f_k)$ also exists and

$$[W^+(f) \cap W^{ss,i}(f)] \setminus U_P = [W^+(f_k) \cap W^{ss,i}(f_k)] \setminus U_P,$$

and likewise, replacing stable manifolds by unstable ones.

In the C^1 setting, we have a stronger statement:

Corollary 5 (C^1 -linearization lemma). *Let P be a periodic point of a diffeomorphism $f \in \text{Diff}^r(M)$ and let $W^+(f)$ and $W^-(f)$ be respectively local strong stable and unstable manifolds of Orb_P and fix a linear structure on a neighborhood of each point of Orb_P . Let U_P be a neighborhood of Orb_P . Then, there exist a sequence f_k tending to f in $\text{Diff}^r(M)$ and two sequences of local strong stable and unstable manifolds $W^+(f_k)$ and $W^-(f_k)$ such that it holds, for all $k \in \mathbb{N}$:*

- $f^{\pm 1} = f_k^{\pm 1}$ throughout Orb_P and outside U_P ,
- f_k coincides on a neighborhood of Orb_P with the linear part L of f along Orb_P ,
- For any integer $i > 0$, if Orb_P has an i -strong stable manifold $W^{ss,i}(f)$ for f , then $W^{ss,i}(f_k)$ also exists and

$$[W^+(f) \cap W^{ss,i}(f)] \setminus U_P = [W^+(f_k) \cap W^{ss,i}(f_k)] \setminus U_P,$$

and likewise, replacing stable manifolds by unstable ones.

Proposition 1.4 is proved in Sections 3 to 5. The linearization lemmas are straightforward consequences of Proposition 1.4: use a partition of unity to build a sequence g_k of diffeomorphisms that tends C^r to f , such that the linear part of f_k^p at P has no resonances (for the proof of Corollary 4), or such that $f_k^{\pm 1} = L^{\pm 1}$ (for the proof of Corollary 5) on a neighborhood of the orbit of P , where L is the linear

part of f along Orb_P , and apply Proposition 1.4 with $h_k = f$. In Corollary 4, the fact that f_k is locally C^r -conjugate to its linear part along the orbit of P comes from the Sternberg Linearization theorem (see [15, Theorem 6.6.6]).

1.4. Structure of the paper. In Section 2, we prove Theorem 1 from Proposition 1.4 and Corollary 5. The main difficulty is the proof of Proposition 1.4, it occupies Sections 3 to 5. In Section 3, we prove that one can reduce it to the study of the case where P is a fixed point.

In Sections 4 and 5 we prove the fixed point case by induction on the sets of dimensions of strong stable and unstable manifolds that we want to preserve semi-locally. This is the main technical difficulty of the paper.

Finally in Section 6 we prove a few of the many consequences of Theorem 1 for perturbative dynamics of C^1 diffeomorphisms. In particular, we prove Theorems 2 and 3.

For simplicity, in the rest of the paper, the sentences

”For large k , property \mathcal{P}_k holds.”

”For small $\lambda > 0$, property \mathcal{Q}_λ holds.”

respectively stand for

”There exists $k_0 \in \mathbb{N}$ such that, for any integer $k \geq k_0$, property \mathcal{P}_k holds.”

”There exists $\lambda_0 > 0$ such that, for any real number $0 < \lambda \leq \lambda_0$, property \mathcal{Q}_λ holds.”

2. Proof of the Isotopic Franks’ lemma. In this section, we prove Theorem 1 from Proposition 1.4 and Corollary 5.

Idea of the proof. We first put a linear structure on a neighborhood of Orb_P , so that any sequence \mathcal{A}_t of linear maps as is the statement of Theorem 1 identifies to a linear diffeomorphism from a neighborhood of Orb_P to another.

Then we introduce the notion of ”connection” from such a diffeomorphism \mathcal{A} to another \mathcal{B} , that is, a diffeomorphism from a convex neighborhood of Orb_P to another that

- coincides with \mathcal{B} on a neighborhood of Orb_P and with \mathcal{A} outside a bigger neighborhood,
- ”connects” the strong stable/unstable manifolds of \mathcal{A} with those of \mathcal{B} , as represented in Fig. 3.

Those connections may be concatenated as in Fig. 4 (we may however need to conjugate some of them by homotheties).

If \mathcal{A}_t is a path of such linear diffeomorphisms for which strong stable and strong unstable manifolds of some dimensions $i \in I$ and $j \in J$ exist, as a consequence of Proposition 1.4 we will find a sequence $0 = t_0 < t_1 < \dots < t_k = 1$ of times such that there is a connection from each \mathcal{A}_{t_i} to $\mathcal{A}_{t_{i+1}}$ of small size (that is, C^1 close to the linear diffeomorphism \mathcal{A}_{t_i}) that connects the I -strong stable and J -strong unstable manifolds of \mathcal{A}_{t_i} to those $\mathcal{A}_{t_{i+1}}$. Then a convenient concatenation of those connections will give a connection from \mathcal{A}_0 to \mathcal{A}_1 whose distance to \mathcal{A}_0 will be arbitrarily close to the radius of the path \mathcal{A}_t , as defined in Theorem 1.

We will end the proof by linearizing f to \mathcal{A}_0 on a neighborhood U_P of Orb_P with Corollary 5, and finally pasting in U_P that connection from \mathcal{A}_0 to \mathcal{A}_1 . \square

We now go into the details of the proof, starting with some preliminaries where we define precisely the metrics we deal with, and (re)define the notions of strong stable and unstable manifolds for diffeomorphisms from an open set of M to another.

2.1. Preliminaries. Any Riemannian metric $\|\cdot\|_*$ on the compact manifold M induces a distance $d_{\|\cdot\|_*}$ on TM through the Levi-Civita connexion. Given two subsets $\Gamma, \Delta \subset M$, we say that $g: \Gamma \rightarrow \Delta$ is a diffeomorphism if it extends to a diffeomorphism from an open set containing Γ to an open set containing Δ . We define the $\|\cdot\|_*$ -distance between two diffeomorphisms $g, h: \Gamma \rightarrow \Delta$ as follows:

$$\text{dist}_{\|\cdot\|_*}(g, h) = \sup_{\substack{v \in TM|_{\Gamma} \\ w \in TM|_{\Delta}}} \left\{ d_{\|\cdot\|_*}[Dg(v), Dh(v)], d_{\|\cdot\|_*}[Dg^{-1}(w), Dh^{-1}(w)] \right\}.$$

In order to have this distance independent of the choice of an extension, we assume that $\text{int}(\Gamma)$ and $\text{int}(\Delta)$ are dense in Γ and Δ , respectively. We say that a diffeomorphism $g: \Gamma \rightarrow \Delta$ is *bounded by $C > 1$* for $\|\cdot\|_*$ if for all unit vector $v \in TM$, we have $C^{-1} \leq |Df(v)|_* \leq C$. We recall without a proof the following folklore:

Lemma 2.1. *Let M be a manifold and $K \subset \text{int}(\Gamma)$ a compact subset in the interior of Γ . Let $\|\cdot\|_1$ and $\|\cdot\|_2$ be two Riemannian metrics on M such that they coincide on $T_K M$. For any $\epsilon > 0$ and $C > 1$, there exists a neighborhood U of K such that: if two diffeomorphisms $g, h: \Gamma \rightarrow \Delta$ leave K invariant, coincide outside U and are both bounded by C for $\|\cdot\|_1$, then*

$$|\text{dist}_{\|\cdot\|_1}(g, h) - \text{dist}_{\|\cdot\|_2}(g, h)| < \epsilon.$$

In the following, the diffeomorphism f and the p -periodic point P of orbit Orb_P for f are both fixed. Let $\Gamma \subset M$ contain Orb_P in its interior. Let $g: \Gamma \rightarrow g(\Gamma)$ be a diffeomorphism that coincides with f throughout Orb_P , and assume that the first return linear map Dg^p on $T_P M$ admits an i -strong stable direction E^i . Then a *local i -strong stable manifold* $W^+(g) \subset \Gamma$ is a g -invariant union of disjoint disks $\{D_n\}_{0 \leq n < p}$, where each D_n is a smoothly embedded i -dimensional disk that contains $f^n(P)$ in its interior, and such that D_0 is tangent to E_i . Such $W^+(g)$ always exists. The *i -strong stable manifold* $W^{ss,i}(g)$ of g is the set of points x whose positive orbit $\{g^n(x)\}_{n \in \mathbb{N}}$ is well-defined and falls after some iterate in $W^+(g)$ (it does not depend on the choice of $W^+(g)$).

Note that $W^{ss,i}(g)$ is not necessarily an embedded manifold.

We say that the g -invariant set $W^{ss,i}(g)$ is *limited* if, for any (equivalently, for some) local i -strong stable manifold $W^+(g)$, there is an integer $n > 0$ such that $g^n[W^{ss,i}(g)] \subset W^+(g)$. If $W^{ss,i}(g)$ is limited, then the set

$$\mathcal{D}_g^{ss,i} = W^{ss,i}(g) \setminus g[W^{ss,i}(g)]$$

is a fundamental domain of $W^{ss,i}(g) \setminus \{\text{Orb}_P\}$ for the dynamics of g . We call it the *first fundamental domain of $W^{ss,i}(g)$* . Indeed, the positive images $g^n[\mathcal{D}_g^{ss,i}]$ of $\mathcal{D}_g^{ss,i}$ are pairwise disjoint and cover $W^{ss,i}(g) \setminus \{\text{Orb}_P\}$.

We define symmetrically the *j -strong unstable manifold* $W^{uu,j}(g)$ as the j -strong stable manifold of $g^{-1}: g(\Gamma) \rightarrow \Gamma$. We say that it is *limited* if $W^{ss,j}(g^{-1})$ is, and we define its first fundamental domain by $\mathcal{D}_g^{uu,i} = \mathcal{D}_{g^{-1}}^{ss,i}$.

Remark 2.2. We have $\mathcal{D}_g^{ss,i} = W^{ss,i}(g) \setminus g(\Gamma)$.

The following remark extends a classical characterization for fundamental domains of stable/unstable manifolds.

Remark 2.3. If $W^{ss,i}(g)$ is a local i -strong stable manifold $W^+(g)$ and is strictly g -invariant (that is, its image by g is included in $W^+(g) \setminus \partial W^+(g)$), then:

1. The first fundamental domain in $W^+(g)$ for the dynamics of g is characterized as the unique i -dimensional submanifold (with boundary) $\mathcal{D} \subset W^+(g)$ such that
 - $\text{cl } \mathcal{D} \setminus \text{int } \mathcal{D} = \partial W^+(g) \cup g(\partial W^+(g))$,
 - \mathcal{D} contains $\partial W^+(g)$ and does not intersect $g[\partial W^+(g)]$.
2. As a straightforward consequence, if a local i -strong stable manifolds $W^+(h)$ for a diffeomorphism h satisfies:
 - $\partial W^+(h) = \partial W^+(g)$,
 - the first fundamental domain \mathcal{D} of $W^+(g)$ for g is included in $W^+(h)$,
 - $h = g$ by restriction to $\partial W^+(g)$,
 then \mathcal{D} is also the first fundamental domain of $W^+(h)$ for the dynamics of h .

2.2. Definition of a local linear structure. Recall that M is a Riemannian manifold and that it is initially endowed with a Riemannian metric $\|\cdot\|$. Fix a family of charts $\{\phi_n: U_n \rightarrow \mathbb{R}^d\}_{0 \leq n < p}$ such that it holds:

- the sets $U_n \subset M$ are open and their closures are pairwise disjoint,
- for all n , $f^n(P) \in U_n$ and $\phi_n[f^n(P)] = 0$,
- for all n , the linear map $D\phi_n: (T_{f^n(P)}M, \|\cdot\|) \rightarrow T_0\mathbb{R}^d \equiv (\mathbb{R}^d, \|\cdot\|_c)$ is an isometry, where $\|\cdot\|_c$ is the canonical metric.

Endow each U_n with the pull-back by ϕ_n of the linear structure of \mathbb{R}^d and of the canonical Euclidean metric $\|\cdot\|_c$. Endow M with a Riemannian metric $\|\cdot\|_{\text{Eucl}}$ that extends that Euclidean metric. The two metrics $\|\cdot\|$ and $\|\cdot\|_{\text{Eucl}}$ coincide on the bundle $T_{\text{Orb}_P}M$. Write

$$\mathbf{U} = U_0 \sqcup \dots \sqcup U_{p-1}.$$

Let I_n be the set of isomorphisms from $T_{f^{n-1}(P)}M$ to $T_{f^n(P)}M$. Given an isomorphism $A \in I_n$, let $\|A\|$ be its operator norm, for the Riemannian metric $\|\cdot\|$ on TM . Define

$$\mathfrak{A} = I_1 \times \dots \times I_p.$$

We endow that space with the following distance: given $\mathcal{A} = (A_1, \dots, A_p)$ and $\mathcal{B} = (B_1, \dots, B_p)$ in \mathfrak{A} , let

$$\text{dist}_{\mathfrak{A}}(\mathcal{A}, \mathcal{B}) = \max_{1 \leq n \leq p} \{\|A_n - B_n\|, \|A_n^{-1} - B_n^{-1}\|\}.$$

Let I and J be two finite sets of strictly positive integers, and let

$$\mathfrak{A}_{I,J} \subset \mathfrak{A}$$

be the subset of tuples (A_1, \dots, A_p) such that the endomorphism $B = A_p \circ \dots \circ A_1$ has an i -strong stable direction and a j -strong unstable direction, for all $i \in I$ and $j \in J$.

To any isomorphism $A_n: T_{f^{n-1}(P)}M \rightarrow T_{f^n(P)}M$, we associate the linear diffeomorphism tangent to A_n

$$L_{A_n}: V_{A_n} \subset U_{n-1} \rightarrow W_{A_n} \subset U_n,$$

where V_{A_n} is chosen to be the maximal subset of U_{n-1} on which such L_{A_n} is well-defined. For each $\mathcal{A} \in \mathfrak{A}$, we have now a canonically associated linear diffeomorphism

$$L_{\mathcal{A}}: \mathbf{V}_{\mathcal{A}} \subset \mathbf{U} \rightarrow \mathbf{W}_{\mathcal{A}} \subset \mathbf{U},$$

where $\mathbf{V}_A = \cup V_{A_n}$. Note that \mathbf{V}_A contains Orb_P in its interior. For simplicity, we will accept the abuse of notations, and denote L_A by \mathcal{A} .

2.3. Connections from an element of $\mathfrak{A}_{I,J}$ to another. Our definition of a "connection from \mathcal{A} to \mathcal{B} " is quite long, but we will only be interested with a few of its properties and with the fact that it exists, when \mathcal{A} and \mathcal{B} are close enough. Let

$$\begin{aligned} i_m &= \max I \\ j_m &= \max J. \end{aligned}$$

Definition 2.4. Given $\mathcal{A}, \mathcal{B} \in \mathfrak{A}_{I,J}$, an (I, \emptyset) -connection from \mathcal{A} to \mathcal{B} is a diffeomorphism $C_{AB}: \Gamma \rightarrow \mathcal{A}(\Gamma)$, where

- $\Gamma = \Gamma_0 \sqcup \dots \sqcup \Gamma_{p-1}$ is a subset of \mathbf{V}_A such that
 - each Γ_n is a closed, convex subset of U_n that contains $f^n(P)$ in its interior,
 - for all $i \in I$, the set $W^{ss,i}(\mathcal{A}) \cap \Gamma$ is \mathcal{A} -invariant, and therefore is equal to $W^{ss,i}(\mathcal{A}|_\Gamma)$,
- the diffeomorphism C_{AB} coincides with \mathcal{A} on a neighborhood of the boundary $\partial\Gamma$, and with \mathcal{B} on a neighborhood of Orb_P ,
- the I -stable manifolds are semi-locally preserved: for all $i \in I$, the i -strong stable manifolds of Orb_P for C_{AB} and $\mathcal{A}|_\Gamma$ are limited and their first fundamental domains coincide, that is,

$$\mathcal{D}_{\mathcal{A}|_\Gamma}^{ss,i} = \mathcal{D}_{C_{AB}}^{ss,i}.$$

Definition 2.5. Given $\mathcal{A}, \mathcal{B} \in \mathfrak{A}_{I,J}$ a diffeomorphism $C_{AB}: \Gamma \rightarrow \mathcal{A}(\Gamma)$ is an (I, J) -connection from \mathcal{A} to \mathcal{B} if it is an (I, \emptyset) -connection from \mathcal{A} to \mathcal{B} and if C_{AB}^{-1} is a (J, \emptyset) -connection from \mathcal{A} to \mathcal{B} .

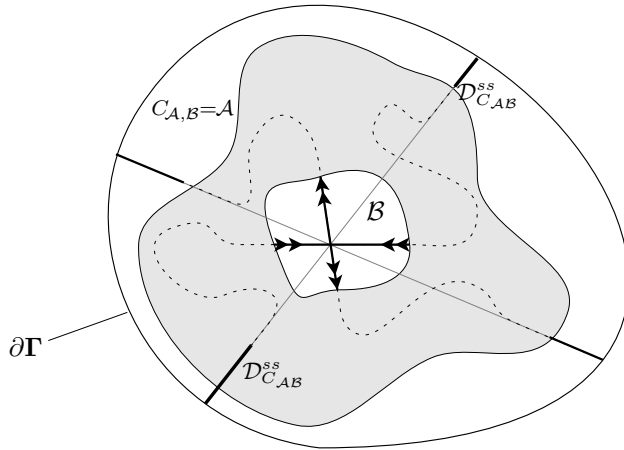


FIGURE 3. A connection C_{AB} from \mathcal{A} to \mathcal{B} . The two linear regions are the white ones. It connects, through its strong stable/unstable manifolds, the strong stable/unstable manifolds of \mathcal{A} to those of \mathcal{B}

We define the *size* of a connection $C_{AB}: \Gamma \rightarrow \mathcal{A}(\Gamma)$ as

$$\text{size}(C_{AB}) = \text{dist}_{\|\cdot\|_{\text{Eucl.}}}(\mathcal{A}|_\Gamma, C_{AB}).$$

For all $\Gamma = \Gamma_0 \sqcup \dots \sqcup \Gamma_{p-1}$, where Γ_n is a closed, convex subset of U_n that contains $f^n(P)$ in its interior, and for any $0 < \lambda \leq 1$, let

$$\lambda \text{Id}_\Gamma: \Gamma \rightarrow \Gamma$$

be the map whose restriction to each Γ_n is the homothety of ratio λ and centered at $f^n(P)$. Denote by $\lambda \cdot \Gamma$ the image of Γ by λId , and let

$$\lambda^{-1} \text{Id}_\Gamma: \lambda \cdot \Gamma \rightarrow \Gamma$$

be the inverse map of λId . Given a diffeomorphism $g: \Gamma \rightarrow g(\Gamma)$,

$$g^\lambda = \lambda \text{Id}_{g(\Gamma)} \circ g \circ \lambda^{-1} \text{Id}_\Gamma$$

is a diffeomorphism from $\lambda \cdot \Gamma$ on $\lambda \cdot g(\Gamma)$.

Lemma 2.6 (Conjugation of connections by homotheties). *If $C_{\mathcal{A}\mathcal{B}}: \Gamma \rightarrow \mathcal{A}(\Gamma)$ is an (I, J) -connection from \mathcal{A} to \mathcal{B} then, for all $0 < \lambda \leq 1$, the diffeomorphism ${}^\lambda C_{\mathcal{A}\mathcal{B}}: \lambda \cdot \Gamma \rightarrow \lambda \cdot \mathcal{A}(\Gamma)$ is also an (I, J) -connection from \mathcal{A} to \mathcal{B} . Moreover*

$$\text{size}({}^\lambda C_{\mathcal{A}\mathcal{B}}) \leq \text{size}(C_{\mathcal{A}\mathcal{B}}).$$

Proof. Trivial. □

Definition 2.7 (Concatenation). The *concatenation* of two maps

$$\begin{aligned} g: \Gamma \subset M &\rightarrow g(\Gamma) \subset M \\ h: \Delta \subset M &\rightarrow h(\Delta) \subset M. \end{aligned}$$

is the map

$$g * h: \Gamma \cup \Delta \rightarrow g(\Gamma) \cup h(\Delta)$$

that coincides with g on $\Gamma \setminus \Delta$ and with h on Δ .

Remark 2.8. The concatenation operation is associative, but not commutative. Moreover, $(g * h)^{-1} = g^{-1} * h^{-1}$. This symmetry through inversion implies that the stable and unstable objects will have symmetric roles in the following results.

Proposition 2.9. *Let $\mathcal{A}, \mathcal{B} \in \mathfrak{A}_{I, J}$. Let Γ be a neighborhood of Orb_P in M . Let $h: \Gamma \rightarrow h(\Gamma) \subset M$ be a diffeomorphism that coincides with the linear diffeomorphism \mathcal{A} on a neighborhood of Orb_P , such that $W^{ss, i}(h)$ and $W^{uu, j}(h)$ are limited, for all i, j . Let $C_{\mathcal{A}\mathcal{B}}: \Delta \rightarrow \mathcal{A}(\Delta)$ be an (I, J) -connection from \mathcal{A} to \mathcal{B} .*

For all $\epsilon > 0$, for small $\lambda > 0$, it holds:

- the concatenation $g_\lambda = h * {}^\lambda C_{\mathcal{A}\mathcal{B}}$ is a diffeomorphism from Γ to $h(\Gamma)$,
- for all $i \in I$ and $j \in J$, $W^{ss, i}(g_\lambda)$ and $W^{uu, j}(g_\lambda)$ are limited and it holds:

$$W^{ss, i}(g_\lambda) = \left[W^{ss, i}(h) \setminus \lambda \cdot \Delta \right] \cup W^{ss, i}({}^\lambda C_{\mathcal{A}\mathcal{B}}) \quad (1)$$

$$W^{uu, j}(g_\lambda) = \left[W^{uu, j}(h) \setminus \mathcal{A}(\lambda \cdot \Delta) \right] \cup W^{uu, j}({}^\lambda C_{\mathcal{A}\mathcal{B}}). \quad (2)$$

$$\mathcal{D}_h^{ss, i} = \mathcal{D}_{g_\lambda}^{ss, i} \quad (3)$$

$$\mathcal{D}_h^{uu, j} = \mathcal{D}_{g_\lambda}^{uu, j} \quad (4)$$

- $\text{dist}_{\|\cdot\|}(h, g_\lambda) < \text{size}(C_{\mathcal{A}\mathcal{B}}) + \epsilon$.

Proof. For small $\lambda > 0$, $\lambda \cdot \Delta$ is in the interior of the domain on which $h = \mathcal{A}$, hence $g_\lambda = h *^\lambda C_{\mathcal{A}\mathcal{B}}$ is a diffeomorphism from Γ to $h(\Gamma)$.

Fix $i \in I$. We show that for small $\lambda > 0$, Eq. (1) and Eq. (3) hold.

Claim 1. *For small $\lambda > 0$, there exists an integer $n_\lambda \in \mathbb{N}$ such that it holds: for any $x \in \mathcal{D}_h^{ss,i}$ there is an integer $0 \leq n_x \leq n_\lambda$ such that*

$$\begin{aligned} h^n(x) &\notin \lambda \cdot \Delta, & \text{for all } 0 \leq n < n_x, \\ h^{n_x}(x) &\in \mathcal{D}_{\mathcal{A}|\lambda \cdot \Delta}^{ss,i}. \end{aligned}$$

Moreover the map

$$\phi_h: \begin{cases} \mathcal{D}_h^{ss,i} & \rightarrow \mathcal{D}_{\mathcal{A}|\lambda \cdot \Delta}^{ss,i} \\ x & \mapsto h^{n_x}(x) \end{cases}$$

is a bijection.

Proof. As $W^{ss,i}(h)$ is limited and $W^{ss,i}(\mathcal{A})$ contains a local strong stable manifold, there exists an integer $n > 0$ such that $h^n[W^{ss,i}(h)]$ is inside $W^{ss,i}(\mathcal{A})$.

As a consequence there exists a neighborhood of Orb_P in M whose intersection with $W^{ss,i}(h)$ lies inside $W^{ss,i}(\mathcal{A})$. We deduce that, for small $\lambda > 0$, for any $x \in W^{ss,i}(h)$, either $x \notin \lambda \cdot \Delta$ or $x \in W^{ss,i}(\mathcal{A}) \cap \lambda \cdot \Delta$. As ${}^\lambda C_{\mathcal{A}\mathcal{B}}$ is a connection, by first item of Definition 2.4,

$$W^{ss,i}(\mathcal{A}|\lambda \cdot \Delta) = W^{ss,i}(\mathcal{A}) \cap \lambda \cdot \Delta,$$

hence for any $x \in W^{ss,i}(h)$, either $x \notin \lambda \cdot \Delta$, or $x \in W^{ss,i}(\mathcal{A}|\lambda \cdot \Delta)$.

This gives the conclusions we are looking for since the positive g -orbit of x ends up in $W^{ss,i}(\mathcal{A}|\lambda \cdot \Delta)$, at an iterate n_x less than some n_λ (use again that $W^{ss,i}(h)$ is limited). The fact that ϕ_h is an injection comes from the fact that $\mathcal{D}_h^{ss,i}$ is a fundamental domain of $W^{ss,i}(h)$. Its image is then also a fundamental domain. As it is by construction inside $\mathcal{D}_{\mathcal{A}|\lambda \cdot \Delta}^{ss,i}$, ϕ_h is a bijection. This ends the proof of the claim. \square

By definition, $\mathcal{D}_{\mathcal{A}|\lambda \cdot \Delta}^{ss,i} = \mathcal{D}_{{}^\lambda C_{\mathcal{A}\mathcal{B}}}^{ss,i}$, and this is a fundamental domain of $W^{ss,i}(g_\lambda)$, by construction of g_λ . Moreover $\phi_h(x) = g_\lambda^{n_x}(x)$, as $g_\lambda = h$ outside $\lambda \cdot \Delta$. Therefore the claim implies that, for small $\lambda > 0$, $\mathcal{D}_h^{ss,i}$ is a fundamental domain of $W^{ss,i}(g_\lambda)$.

By Remark 2.2, $\mathcal{D}_h^{ss,i}$ does not intersect $h(\Gamma) = g_\lambda(\Gamma)$. Hence, it needs to be the first fundamental domain of $W^{ss,i}(g_\lambda)$. The claim implies that Eq. (1) and Eq. (3) hold. Moreover, the fact that $n_x \leq n_\lambda$ for all x , implies that $W^{ss,i}(g_\lambda)$ is limited.

The same holds symmetrically for the strong unstable manifolds. This ends the proof of the second item of the proposition.

For the last item, note that $\text{dist}_{\|\cdot\|_{\text{Eucl}}}(h, g_\lambda) = \text{size}({}^\lambda C_{\mathcal{A}\mathcal{B}}) \leq \text{size}(C_{\mathcal{A}\mathcal{B}})$, and apply Lemma 2.1 taking λ small enough. \square

Corollary 6. *Fix two (I, J) -connections from \mathcal{A} to \mathcal{B} and from \mathcal{B} to \mathcal{C} :*

$$\begin{aligned} C_{\mathcal{A}\mathcal{B}}: \Gamma &\rightarrow \mathcal{A}(\Gamma) \\ C_{\mathcal{B}\mathcal{C}}: \Delta &\rightarrow \mathcal{B}(\Delta). \end{aligned}$$

For all $\epsilon > 0$, for small $\lambda > 0$ it holds:

- the concatenation $C_{\mathcal{A}\mathcal{B}} *^\lambda C_{\mathcal{B}\mathcal{C}}$ is an (I, J) -connection from \mathcal{A} to \mathcal{C} ,

- one has the following inequalities:

$$\text{size}(C_{\mathcal{A}\mathcal{B}} *^\lambda C_{\mathcal{B}\mathcal{C}}) \leq \max\{\text{size}(C_{\mathcal{A}\mathcal{B}}), \text{size}(C_{\mathcal{B}\mathcal{C}}) + \text{dist}_{\mathfrak{A}}(\mathcal{A}, \mathcal{B}) + \epsilon\}, \quad (5)$$

$$\text{size}(C_{\mathcal{A}\mathcal{B}} *^\lambda C_{\mathcal{B}\mathcal{C}}) \leq \text{size}(C_{\mathcal{A}\mathcal{B}}) + \text{size}(C_{\mathcal{B}\mathcal{C}}). \quad (6)$$

Proof of Corollary 6. The first item is a straightforward consequence of Proposition 2.9.

For the second item, put $h = C_{\mathcal{A}\mathcal{B}} *^\lambda C_{\mathcal{B}\mathcal{C}}$. Note that $\text{size}(C_{\mathcal{A}\mathcal{C}}) = \text{dist}_{\|\cdot\|_{\text{Eucl}}} (h, \mathcal{A})$. Let $v \in T_{\Gamma}M$ be a unit vector. If v is in $T_{\Gamma \setminus \lambda \cdot \Delta}M$, then

$$\begin{aligned} d_{\|\cdot\|_{\text{Eucl}}} (Dh(v), D\mathcal{A}(v)) &= d_{\|\cdot\|_{\text{Eucl}}} (DC_{\mathcal{A}\mathcal{B}}(v), D\mathcal{A}(v)) \\ &\leq \text{size}(C_{\mathcal{A}\mathcal{B}}). \end{aligned}$$

If v is a unit vector in $T_{\lambda \cdot \Delta}M$, then

$$\begin{aligned} d_{\|\cdot\|_{\text{Eucl}}} (Dh(v), D\mathcal{A}(v)) &= d_{\|\cdot\|_{\text{Eucl}}} (DC_{\mathcal{B}\mathcal{C}}(v), D\mathcal{A}(v)) \\ &\leq d_{\|\cdot\|_{\text{Eucl}}} (DC_{\mathcal{B}\mathcal{C}}(v), D\mathcal{B}(v)) + d_{\|\cdot\|_{\text{Eucl}}} (D\mathcal{B}(v), D\mathcal{A}(v)) \\ &\leq \text{size}(C_{\mathcal{B}\mathcal{C}}) + \text{dist}_{\mathfrak{A}}(\mathcal{A}, \mathcal{B}) + d_\lambda, \end{aligned}$$

where d_λ is a quantity that depends on $\lambda \cdot \Delta$ and tends to zero when λ goes to zero. On the other hand, choosing λ small enough so that $C_{\mathcal{A},\mathcal{B}} = \mathcal{A}$ on $\lambda \cdot \Delta$, one has If v is a unit vector in $T_{\lambda \cdot \Delta}M$, then

$$\begin{aligned} d_{\|\cdot\|_{\text{Eucl}}} (Dh(v), D\mathcal{A}(v)) &\leq d_{\|\cdot\|_{\text{Eucl}}} (DC_{\mathcal{B}\mathcal{C}}(v), D\mathcal{B}(v)) + d_{\|\cdot\|_{\text{Eucl}}} (D\mathcal{B}(v), DC_{\mathcal{A},\mathcal{B}}(v)) \\ &\leq \text{size}(C_{\mathcal{B}\mathcal{C}}) + \text{size}(C_{\mathcal{A}\mathcal{B}}). \end{aligned}$$

Doing the same study, looking at the preimages of the unit vectors $w \in T_{C_{\mathcal{A}\mathcal{C}}(\Gamma)}M$, we finally get that for small $\lambda > 0$, Eqs. (5) and (6) hold. \square

As a straightforward consequence of Corollary 6, we have

Corollary 7. *Let $\mathcal{A}_1, \dots, \mathcal{A}_\ell$ be a sequence in $\mathfrak{A}_{I,J}$. Assume that for all $1 \leq n < \ell$, there is a connection*

$$C_n : \Gamma_n \rightarrow \mathcal{A}_n(\Gamma_n)$$

from \mathcal{A}_n to \mathcal{A}_{n+1} . Then, for all $\epsilon > 0$, there exists a sequence $\lambda_2, \dots, \lambda_\ell$ in $(0, +\infty)$ such that

$$C_{\mathcal{A}_1 \mathcal{A}_\ell} = C_1 *^{\lambda_2} C_2 *^{\dots} *^{\lambda_\ell} C_\ell$$

is an (I, J) -connection from \mathcal{A}_1 to \mathcal{A}_ℓ , and

$$\text{size}(C_{\mathcal{A}_1 \mathcal{A}_\ell}) \leq \max_{1 \leq n < \ell} \{\text{size}(C_n) + \text{dist}_{\mathfrak{A}}(\mathcal{A}_1, \mathcal{A}_n)\} + \epsilon.$$

2.4. Proof of Theorem 1. In the following, the sentence "for large k , property \mathcal{P}_k holds" stands for "there exists $k_0 \in \mathbb{N}$ such that, for all integer $k \geq k_0$, property \mathcal{P}_k holds."

For all $\mathcal{A}, \mathcal{B} \in \mathfrak{A}_{I,J}$, let $d_{I,J}(\mathcal{A} \rightarrow \mathcal{B})$ be the infimum of the sizes of the (I, J) -connections from \mathcal{A} to \mathcal{B} , and $+\infty$ if there is none. Let $d_{I,J}(\mathcal{A}, \mathcal{B}) = \max\{d_{I,J}(\mathcal{A} \rightarrow \mathcal{B}), d_{I,J}(\mathcal{B} \rightarrow \mathcal{A})\}$. This defines a distance on $\mathfrak{A}_{I,J}$: the triangle inequality comes from Eq. (6), and $d_{I,J}(\mathcal{A}, \mathcal{A}) = 0$ since a restriction of the linear diffeomorphism \mathcal{A} gives a trivial connection from \mathcal{A} to \mathcal{A} .

Proposition 2.10. *The topologies induced on $\mathfrak{A}_{I,J}$ by the distances $d_{I,J}$ and $\text{dist}_{\mathfrak{A}}$ coincide.*

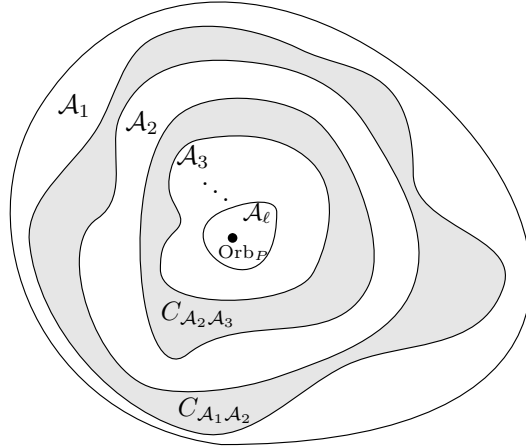


FIGURE 4. For good choices of connections $C_{\mathcal{A}_{n-1}\mathcal{A}_n} = \lambda_n C_n$, the concatenation $C_{\mathcal{A}_1\mathcal{A}_\ell} = C_{\mathcal{A}_1\mathcal{A}_2} * C_{\mathcal{A}_2\mathcal{A}_3} * \dots * C_{\mathcal{A}_{\ell-1}\mathcal{A}_\ell}$ depicted here is a connection from \mathcal{A}_1 to \mathcal{A}_ℓ .

Proof. The fact that $d_{I,J} \geq \text{dist}_{\mathfrak{A}}$ is clear. We are left to show that, if a sequence $\mathcal{A}_k \in \mathfrak{A}_{I,J}$ converges to $\mathcal{A} \in \mathfrak{A}_{I,J}$ for the distance $\text{dist}_{\mathfrak{A}}$, then it also does for $d_{I,J}$, that is, $d_{I,J}(\mathcal{A}_k \rightarrow \mathcal{A})$ and $d_{I,J}(\mathcal{A} \rightarrow \mathcal{A}_k)$ both tend to 0. Fix two sequences $\mathcal{A}_k, \mathcal{B}_k \in \mathfrak{A}_{I,J}$ converging to $\mathcal{A} \in \mathfrak{A}_{I,J}$, it is enough to show that the sequence $d_{I,J}(\mathcal{A}_k \rightarrow \mathcal{B}_k)$ converges to zero.

By a partition of unity, one builds a sequence of diffeomorphism $h_k \in \text{Diff}^1(M)$ that converges to some $f \in \text{Diff}^1(M)$ such that, by restriction to some neighborhood \mathcal{O} of Orb_P , we have $f = \mathcal{A}$ and $h_k = \mathcal{A}_k$. One produces likewise another sequence g_k converging to f such that $g_k = \mathcal{B}_k$ on some neighborhood of Orb_P .

Let $\Gamma \subset \mathcal{O}$ be a closed neighborhood of Orb_P that satisfies the first item of Definition 2.4 both for \mathcal{A} and $i \in I$ and \mathcal{A}^{-1} and $j \in J$, and such that

- the set $W^{ss,i_m}(\mathcal{A}) \cap \Gamma$ is **strictly** \mathcal{A} -invariant.
- the set $W^{uu,j_m}(\mathcal{A}) \cap \Gamma$ is **strictly** \mathcal{A}^{-1} -invariant.

Moreover, it is easy to choose Γ so that its boundary is a union of smooth spheres that intersect $W^{ss,i_m}(\mathcal{A})$ and $W^{uu,j_m}(\mathcal{A})$ transversally. Fix a neighborhood $U_P \subset \Gamma$ of Orb_P such that $\text{cl}(U_P) \subset \text{int } \Gamma \cap \text{int } f(\Gamma)$.

Apply Proposition 1.4 to find a sequence f_k that converges to g , such that $f_k^{\pm 1} = h_k^{\pm 1}$ outside of U_P , $f_k^{\pm 1} = g_k^{\pm 1}$ on a neighborhood of Orb_P , and a sequences $W^{+/-}(f_k)$ of local i_m/j_m -strong stable/unstable manifolds for f_k converging to $W^{+/-}(f)$ such that

$$\left[W^{+/-}(f_k) \cap W^{ss/uu,i}(f_k) \right] \setminus U_P = \left[W^{+/-}(h_k) \cap W^{ss/uu,i}(h_k) \right] \setminus U_P, \quad (7)$$

for all $i \in I/J$, and large k .

From now on, we only deal with the stable objects, as the unstable ones behave symmetrically. By a simple geometric reasoning, one sees that for large k , $W^{ss,i_m}(\mathcal{A}_k) \cap \Gamma$ is also strictly \mathcal{A}_k -invariant, and therefore the first item of Definition 2.4 is again satisfied, replacing \mathcal{A} by \mathcal{A}_k .

This implies that $W^+(h_k) = W^{ss,i_m}(\mathcal{A}_k|_{\Gamma}) = W^{ss,i_m}(\mathcal{A}_k) \cap \Gamma$ is a sequence of local strong stable manifolds for \mathcal{A}_k (hence for h_k), that converges C^1 -uniformly to the local strong stable manifold $W^+(f) = W^{ss,i_m}(\mathcal{A}|_{\Gamma}) = W^{ss,i_m}(\mathcal{A}) \cap \Gamma$.

In particular that for large k , $W^+(f_k) = W^{+,i_m}(f_k) \subset \Gamma$ and therefore, by f_k -invariance,

$$W^+(f_k) \subset W^{ss,i_m}(f_k|_{\Gamma}).$$

We do not know a priori the other inclusion.

For large k , it holds: the boundary $\partial W^+(h_k)$ of the union of p disks $W^+(h_k)$ does not intersect the closure of U , hence by Eq. (7) it is also the boundary $\partial W^+(f_k)$ of $W^+(f_k)$, and $f_k = h_k$ on it. By Remark 2.2, the first fundamental domain $\mathcal{D}_{\mathcal{A}_k|_{\Gamma}}^{ss,i_m}$ of $W^+(h_k)$ does not intersect $\mathcal{A}_k(\Gamma) = h_k(\Gamma)$. Thus, for large k , it does not intersect U and by Eq. (7), $\mathcal{D}_{\mathcal{A}_k|_{\Gamma}}^{ss,i_m} \subset W^+(f_k)$.

By strict \mathcal{A}_k -invariance of $W^+(h_k)$ and by Remark 2.3 Item 2, the set $\mathcal{D}_{\mathcal{A}_k|_{\Gamma}}^{ss,i_m}$ is also the first fundamental domain in $W^+(f_k)$ for f_k . As $h_k(\Gamma) = g_k(\Gamma)$ does not intersect $\mathcal{D}_{\mathcal{A}_k|_{\Gamma}}^{ss,i_m}$, no $x \in \mathcal{D}_{\mathcal{A}_k|_{\Gamma}}^{ss,i_m}$ has a preimage in Γ . This means that that fundamental domain of $W^{ss,i}(f_k|_{\Gamma})$ is actually the first. We just obtained

$$\mathcal{D}_{f_k|_{\Gamma}}^{ss,i_m} = \mathcal{D}_{\mathcal{A}_k|_{\Gamma}}^{ss,i_m}$$

It follows from Eq. (7) that

$$\mathcal{D}_{f_k|_{\Gamma}}^{ss,i} = \mathcal{D}_{\mathcal{A}_k|_{\Gamma}}^{ss,i},$$

for all $i \in I$.

Hence, for large k , the restriction $f_k|_{\Gamma}$ is an (I, J) -connection from \mathcal{A}_k to \mathcal{B}_k . As f_k tends to f for the C^1 topology, the size of that connection tends to 0.

Thus $d_{I,J}(\mathcal{A}_k \rightarrow \mathcal{B}_k)$ converges to zero, which we saw was enough to end the proof of Proposition 2.10. \square

Proof of Theorem 1. Fix f a path \mathcal{A}_t and denote its radius by

$$R = \max_{0 \leq t \leq 1} \text{dist}_{\mathfrak{A}}(\mathcal{A}_0, \mathcal{A}_t).$$

Let $\epsilon > 0$ and $\delta = R + \epsilon$. By Proposition 2.10, there is a sequence

$$t_1 = 0 < t_2 < \dots < t_{\ell-1} < t_{\ell} = 1$$

such that $d_{I,J}(\mathcal{A}_{t_n}, \mathcal{A}_{t_{n+1}}) < \epsilon/4$, for all $1 \leq n < \ell$. Thus one finds for each such n an (I, J) -connection $C_{\mathcal{A}_{t_n}, \mathcal{A}_{t_{n+1}}}$ from \mathcal{A}_{t_n} to $\mathcal{A}_{t_{n+1}}$ whose size is less than $\epsilon/3$. By Corollary 7, there is an (I, J) -connection $C_{\mathcal{A}_0, \mathcal{A}_1}$ from \mathcal{A}_0 to \mathcal{A}_1 such that

$$\begin{aligned} \text{size}(C_{\mathcal{A}_0, \mathcal{A}_1}) &< \max \text{dist}_{\mathfrak{A}}(\mathcal{A}_{t_n}, \mathcal{A}_{t_{n+1}}) + \epsilon/3 \\ &< R + \epsilon/3. \end{aligned}$$

Applying Corollary 5, we may assume that f coincides with its linear part \mathcal{A}_0 along Orb_P on a neighborhood of Orb_P . Take a neighborhood Γ of Orb_P such that for all $i \in I$ and $j \in J$

- $W^{ss,i}(f|_{\Gamma})$ is limited and contains the compact set K_i ,
- $W^{uu,j}(f|_{\Gamma})$ is limited and contains the compact set L_j .

Let $h = f|_{\Gamma}$.

Proposition 2.9 provides then a diffeomorphism $g_{\lambda} = h *^{\lambda} C_{\mathcal{A}\mathcal{B}}$. For small $\lambda > 0$, the diffeomorphism $g \in \text{Diff}(M)$ such that $g = g_{\lambda}$ on Γ and $g = f$ outside Γ will clearly satisfy almost all of the required conclusions. The only thing left to check is

that the compact sets K_i and L_j remain in the strong stable and unstable manifolds of sizes ϱ .

Fix $\lambda_1 > 0$ such that $\lambda_1 \cdot \Delta$ is included in U_P and does not intersect the compact sets K_i, L_j . A picture will convince the reader that the map

$$\begin{cases} W^{ss,i}(g_\lambda) \setminus (\lambda_1 \cdot \Delta) = W^{ss,i}(h) \setminus (\lambda_1 \cdot \Delta) & \rightarrow]0, +\infty[\\ x & \mapsto \text{dist}_{W^{ss,i}(g_\lambda)}(x, \text{Orb}_P) \end{cases}$$

converges uniformly, as $\lambda \rightarrow 0$ to the map

$$\begin{cases} W^{ss,i}(h) \setminus (\lambda_1 \cdot \Delta) & \rightarrow]0, +\infty[\\ x & \mapsto \text{dist}_{W^{ss,i}(h)}(x, \text{Orb}_P), \end{cases}$$

where $\text{dist}_{W^{ss,i}(\psi)}$ is the distance along the i -strong stable manifold for the diffeomorphism ψ . In particular, as

$$\begin{aligned} K_i &\subset W_\varrho^{ss,i}(h) \setminus (\lambda_1 \cdot \Delta) \\ L_j &\subset W_\varrho^{uu,j}(h) \setminus (\lambda_1 \cdot \Delta), \end{aligned}$$

for small $\lambda > 0$, for all $i \in I$ and $j \in J$, it also holds:

$$\begin{aligned} K_i &\subset W_\varrho^{ss,i}(g_\lambda) \setminus (\lambda_1 \cdot \Delta) \subset W_\varrho^{ss,i}(g) \setminus U_P \\ L_j &\subset W_\varrho^{uu,j}(g_\lambda) \setminus (\lambda_1 \cdot \Delta) \subset W_\varrho^{uu,j}(g) \setminus U_P. \end{aligned}$$

This ends the proof of Theorem 1. \square

3. Reduction of Proposition 1.4 to the fixed point case. This section and Sections 4 and 5 deal with the proof of Proposition 1.4. The following notation will be useful:

Definition 3.1. Given a diffeomorphism ξ and a local (strong) stable manifold $W^+(\xi)$ of a periodic orbit of ξ , if the i -dimensional strong stable manifold $W^{ss,i}(\xi)$ exists, then the i -strong stable part of $W^+(\xi)$ is the set

$$W^{+,i}(\xi) = W^+(\xi) \cap W^{ss,i}(\xi).$$

The i -strong unstable part $W^{-,i}(\xi)$ of $W^-(\xi)$ is defined symmetrically.

In this section we show that we can reduce the proof of Proposition 1.4 to the case where P is a fixed point: we show that if Proposition 1.4 is true when P is a fixed point for f , then the proposition is true in the general case. We first prove in Section 3.1 a result that allows us, during the proofs, to augment the size of the local strong stable manifold $W^+(f)$, without loss of generality.

3.1. Augmentations of $W^+(f)$. Fix $1 \leq r \leq \infty$. Let g_k and h_k be two sequences in $\text{Diff}^r(M)$ converging to a diffeomorphism f , such that f, g_k and h_k coincide throughout the orbit Orb_P of a periodic point P , and let $i_m \in \mathbb{N}$ be such that f has an i_m -strong stable manifold. Let $\{W^+(h_k)\}_{k \in \mathbb{N}}$ be a sequence of local i_m -strong stable manifolds of Orb_P for the diffeomorphisms h_k that converges to a local i_m -strong stable manifold $W^+(f)$ for f , C^r -uniformly.

Lemma 3.2 (Augmentation lemma). *Let $\hat{W}^+(f)$ be a local i_m -strong stable manifold for f that contains $W^+(f)$ in its interior⁴. By the stable manifold theorem,*

⁴The lemma is still true if we just ask that $W^+(f) \subset \hat{W}^+(f)$, however the proof gets more intricate.

there is a sequence $\hat{W}^+(h_k)$ of local strong stable manifolds that converges to $\hat{W}^+(f)$ and such that $W^+(h_k) \subset \hat{W}^+(h_k)$.

If the conclusions of Proposition 1.4 hold when $W^+(f)$ is replaced by $\hat{W}^+(f)$ and $\{W^+(h_k)\}_{k \in \mathbb{N}}$ is replaced by $\{\hat{W}^+(h_k)\}_{k \in \mathbb{N}}$, then they also hold for $W^+(f)$ and $\{W^+(h_k)\}_{k \in \mathbb{N}}$.

In other words, in the course of the proof of Proposition 1.4, we may freely augment $W^+(f)$ (and $W^+(h_k)$ accordingly), without loss of generality, into a local strong stable manifold of same dimension that contains $W^+(f)$ in its interior.

Proof. For large k , $\hat{W}^+(h_k) \setminus W^+(h_k)$ is a C^1 -manifold with boundary, and the sequence $\hat{W}^+(h_k) \setminus W^+(h_k)$ converges for the C^r -topology to $\hat{W}^+(f) \setminus W^+(f)$. We may reduce the size of the neighborhood U_P of Orb_P and assume that

$$\text{cl}[\hat{W}^+(f) \setminus W^+(f)] \cap \text{cl}(U_P) = \emptyset. \quad (8)$$

Assume that the conclusions of Proposition 1.4 hold replacing $W^+(f)$ by $\hat{W}^+(f)$ and $\{W^+(h_k)\}_{k \in \mathbb{N}}$ by $\{\hat{W}^+(h_k)\}_{k \in \mathbb{N}}$. Let a neighborhood V_P of Orb_P , and sequences f_k , $\hat{W}^+(f_k)$ and $\hat{W}^-(f_k)$ be given by those conclusions. In particular, it holds:

- $f_k^{\pm 1} = h_k^{\pm 1}$ outside U_P ,
- For any integer $i > 0$, if Orb_P has an i -strong stable manifold $W^{ss,i}(f)$ for f , then $W^{ss,i}(f_k)$ and $W^{ss,i}(h_k)$ also exist and

$$\left[\hat{W}^+(f_k) \cap W^{ss,i}(f_k) \right] \setminus U_P = \left[\hat{W}^+(h_k) \cap W^{ss,i}(h_k) \right] \setminus U_P.$$

As $\partial \hat{W}^+(f)$ does not intersect the closure of U_P , we have $\partial \hat{W}^+(f_k) = \partial \hat{W}^+(h_k)$, for large k . Moreover, by Eq. (8), for large k , $\hat{W}^+(h_k) \setminus W^+(h_k)$ is inside $\hat{W}^+(f_k)$, more precisely, it is the region in $\hat{W}^+(f_k)$ delimited by $\partial \hat{W}^+(h_k) = \partial \hat{W}^+(f_k)$ and $\partial W^+(h_k)$.

Define $W^+(f_k) = \hat{W}^+(f_k) \setminus [\hat{W}^+(h_k) \setminus W^+(h_k)]$. This is a compact C^1 -manifold in $W^{ss,i_m}(f)$ with boundary $\partial W^+(h_k)$. As it contains Orb_P in its interior, and as $\partial W^+(h_k)$ is a disjoint union of p smooth $(i_m - 1)$ -spheres, $W^+(f_k)$ is a union of p closed disks, and the sequence $W^+(f_k)$ converges to $W^+(f)$.

Claim 2. For large k , $W^+(f_k)$ is f_k -invariant.

Proof. Assume by contradiction that for any $k_0 \in \mathbb{N}$, there is $k \geq k_0$ and $x_k \in W^+(f_k)$ such that $f_k(x_k) \notin W^+(f_k)$. As x_k is in $\hat{W}^+(f_k)$, $f(x_k)$ also is. Hence $f_k(x_k) \in \hat{W}^+(h_k) \setminus W^+(h_k)$. If k is great enough, by Eq. (8) this implies that $f_k(x_k) \notin U_P$, and $f_k^{\pm 1} = h_k^{\pm 1}$ outside U_P , we get $h_k(x_k) = f_k(x_k)$. As

$$h_k(x_k) \in \hat{W}^+(h_k) \setminus W^+(h_k), \quad (9)$$

we get $x_k \notin W^+(h_k)$ and by definition of $W^+(f_k)$, this implies that

$$x_k \notin \hat{W}^+(h_k). \quad (10)$$

Eqs. (9) and (10) imply that x_k belongs to the closed set $h_k^{-1}[\hat{W}^+(h_k) \setminus \text{int}[\hat{W}^+(h_k)]]$. By uniform C^1 -convergence of the manifold $\hat{W}^+(h_k)$ to $\hat{W}^+(f)$, any adherence value of a sequence of such x_k , with $k \rightarrow \infty$, belongs to $f^{-1}[\hat{W}^+(f) \setminus \text{int}[\hat{W}^+(f)]]$. This contradicts the fact that $x_k \in W^+(f_k)$ and $W^+(f_k)$ converges to the closed manifold $W^+(f) \subset \text{int} \hat{W}^+(f)$. This ends the proof of the claim. \square

Thus, $W^+(f_k)$ is a sequence of local strong stable manifolds that converges to $W^+(f)$. It clearly satisfies the other conclusions of Proposition 1.4, since $W^+(f_k) \subset \hat{W}^+(f_k)$. \square

3.2. Reduction to the fixed point case. We assume throughout this section that Proposition 1.4 is true when P is a fixed point for f . We show that this implies the proposition in the general case. The proof bears no difficulty.

We put ourselves under the hypotheses of Proposition 1.4. By Lemma 3.2, without loss of generality, we may augment the sizes of $W^+(f)$, $W^+(h_k)$, $W^-(f)$, $W^-(h_k)$ and assume the following, for all $k \in \mathbb{N}$:

$$W^+(f) = \bigcup_{0 \leq n < p} f^n(W_P^+(f)) \quad (11)$$

$$W^-(f) = \bigcup_{0 \leq n < p} f^n(W_P^-(f)) \quad (12)$$

$$W^+(h_k) = \bigcup_{0 \leq n < p} h_k^n(W_P^+(h_k)) \quad (13)$$

$$W^-(h_k) = \bigcup_{0 \leq n < p} h_k^n(W_P^-(h_k)), \quad (14)$$

where $W_P^\pm(\xi)$ is the connected component of $W^\pm(\xi)$ that contains P .

The point P is fixed for the diffeomorphisms $\tilde{f} = f^p$, $\tilde{h}_k = h_k^p$ and $\tilde{g}_k = g_k^p$. The sets

$$W^+(\tilde{f}) = W_P^+(f)$$

$$W^+(\tilde{h}_k) = W_P^+(h_k)$$

are local stable manifold of the point P for the diffeomorphisms \tilde{f} and \tilde{h}_k , respectively. The sequence $W^+(\tilde{h}_k)$ converges to $W^+(\tilde{f})$ for the C^r topology.

Choose a neighborhood \tilde{U}_P of P such that, for all $0 \leq n \leq p$,

$$\text{cl}[f^n(\tilde{U}_P)] \subset \text{int}(U_P) \quad (15)$$

and for all $0 \leq i, j < p$, with $i \neq j$,

$$\text{cl}[f^i(\tilde{U}_P)] \cap \text{cl}[f^j(\tilde{U}_P)] = \emptyset \quad (16)$$

$$\text{cl}[f^i(\tilde{U}_P)] \cap f^j[W^+(\tilde{f})] = \emptyset \quad (17)$$

$$\text{cl}[f^i(\tilde{U}_P)] \cap f^j[W^-(\tilde{f})] = \emptyset \quad (18)$$

We apply Proposition 1.4 to the fixed point P and find

- a neighborhood $\tilde{V}_P \subset U_P$ of P ,
- a sequence \tilde{f}_k of $\text{Diff}^r(M)$ converging to \tilde{f} ,
- two sequences of local strong stable and unstable manifolds $W^+(\tilde{f}_k)$ and $W^-(\tilde{f}_k)$ of P that tend respectively to $W^+(\tilde{f})$ and $W^-(\tilde{f})$, in the C^r topology,

such that it holds, for any k greater than some $k_0 \in \mathbb{N}$:

- $\tilde{f}_k^{\pm 1} = \tilde{g}_k^{\pm 1}$ inside \tilde{V}_P
- $\tilde{f}_k^{\pm 1} = \tilde{h}_k^{\pm 1}$ outside \tilde{U}_P ,
- For any integer $i > 0$, if Orb_P has an i -strong stable manifold $W^{ss,i}(\tilde{f})$, then $W^{ss,i}(\tilde{f}_k)$ and $W^{ss,i}(\tilde{h}_k)$ also exist and

$$W^{+,i}(\tilde{f}_k) \setminus U_P = W^{+,i}(\tilde{h}_k) \setminus U_P,$$

where $W^{+,i}(\xi_k) = W^+(\xi_k) \cap W^{ss,i}(\xi_k)$, and likewise, replacing stable manifolds by unstable ones.

Choose a neighborhood $V_P = V_0 \sqcup \dots \sqcup V_{p-1}$ of Orb_P such that

$$\text{cl}(V_0) \subset \text{int}(\tilde{V}_P) \subset \tilde{U}_P, \quad (19)$$

$$\text{cl}(V_n) \subset \text{int}[f(V_{n-1})], \quad \text{for all } 0 < n < p. \quad (20)$$

In particular, $\text{cl}(V_n) \subset \text{int} f^n(\tilde{U}_P)$, for all $0 \leq n < p$ and $\text{cl}(V_{p-1}) \subset \text{int} f^{p-1}(\tilde{V}_P)$. By a partition of unity, one builds a sequence ϕ_k in $\text{Diff}^r(M)$ that converges to f and such that for large k :

- $\phi_k = h_k$ outside $\tilde{U}_P \sqcup h_k(\tilde{U}_P) \sqcup \dots \sqcup h_k^{p-1}(\tilde{U}_P)$,⁵
- for all $0 \leq n < p-1$, $\phi_k = g_k$ on V_n .⁶

One finally builds a sequence of diffeomorphisms $f_k \in \text{Diff}^r(M)$ by changing ϕ_k to $\tilde{f}_k \circ \phi_k^{-(p-1)}$ by restriction to $h_k^{p-1}(\tilde{U}_P)$.⁷ By Eq. (20), $\phi_k^{-(p-1)} = g_k^{-(p-1)}$ by restriction to V_{p-1} , for large k , which implies $f_k = g_k$ on V_{p-1} . Hence $f_k = g_k$ on the neighborhood V_P of Orb_P . Up to reducing the neighborhood V_P to a neighborhood whose closure is contained in the interior of $V_P \cup f(V_P)$, one has

$$f_k^{\pm 1} = g_k^{\pm 1} \text{ inside } V_P.$$

By construction, $f_k = h_k$ outside $\tilde{U}_P \sqcup \dots \sqcup h_k^{p-1}(\tilde{U}_P)$. This, with Eq. (15), gives on the one hand

$$f_k^{\pm 1} = h_k^{\pm 1} \text{ outside } U_P, \text{ for large } k.$$

On the second hand, Eqs. (17) and (18) lead to: for large k , for all $0 \leq i, j < p$, with $i \neq j$,

$$\begin{aligned} \text{cl}[f_k^i(\tilde{U}_P)] \cap f^j[W^+(\tilde{f}_k)] &= \emptyset \\ \text{cl}[f_k^i(\tilde{U}_P)] \cap f^j[W^-(\tilde{f}_k)] &= \emptyset, \end{aligned}$$

thus, for all $0 \leq n \leq p$, on a neighborhood of $W^+(\tilde{f}_k) \cup W^-(\tilde{f}_k) \setminus \text{int}(\tilde{U}_P)$ in $M \setminus \tilde{U}_P$, it holds:

$$f_k^n = h_k^n = \tilde{f}_k. \quad (21)$$

Moreover $f_k^p = \tilde{f}_k$ on \tilde{U}_P , by construction. This implies that

$$f_k^p = \tilde{f}_k \quad \text{on a neighborhood of } W^+(\tilde{f}_k) \cup W^-(\tilde{f}_k). \quad (22)$$

Let

$$\begin{aligned} W^+(f_k) &= \bigcup_{0 \leq n < p} f_k^n(W^+(\tilde{f}_k)) \\ W^-(f_k) &= \bigcup_{0 \leq n < p} f_k^n(W^-(\tilde{f}_k)) \end{aligned}$$

By Eq. (22), these are local (strong) stable and unstable manifolds of the periodic orbit Orb_P for f_k , and by Eqs. (11) and (12), they converge for the C^r topology

⁵This is a disjoint union for large k , by Eq. (16).

⁶By Eqs. (19) and (20), for large k , we have $\text{cl}(V_n) \subset h_k^n(\tilde{U}_P)$.

⁷Note that $\tilde{f}_k \circ \phi_k^{-(p-1)}$ glues indeed with h_k outside $h_k^{p-1}(\tilde{U}_P)$ to form a local C^r diffeomorphism.

to $W^+(f)$ and $W^-(f)$, respectively. Besides, for $\xi = f, h$ (recall Eq. (13)), and for any i such that $W^{ss,i}(f)$ exists, for large k , it holds:

$$\begin{aligned} W^{+,i}(\xi_k) &= \bigcup_{0 \leq n < p} \left[\xi_k^n(W^+(\tilde{\xi}_k)) \cap W^{ss,i}(\xi_k) \right] \\ &= \bigcup_{0 \leq n < p} \xi_k^n \left[(W^+(\tilde{\xi}_k)) \cap W^{ss,i}(\tilde{\xi}_k) \right] \\ &= \bigcup_{0 \leq n < p} \xi_k^n(W^{+,i}(\tilde{\xi}_k)). \end{aligned} \quad (23)$$

For all $0 \leq n < p$ and all $k \in \mathbb{N}$ great enough,

$$\begin{aligned} W^{+,i}(\tilde{f}_k) \setminus \tilde{U}_P &= W^{+,i}(\tilde{h}_k) \setminus \tilde{U}_P \\ \Rightarrow f_k^n(W^{+,i}(\tilde{f}_k) \setminus \tilde{U}_P) &= h_k^n(W^{+,i}(\tilde{h}_k) \setminus \tilde{U}_P), \quad \text{by Eq. (21),} \\ \Rightarrow f_k^n[W^{+,i}(\tilde{f}_k)] \setminus U_P &= h_k^n[W^{+,i}(\tilde{h}_k)] \setminus U_P, \quad \text{since } \text{cl}[f^n(\tilde{U}_P)] \subset \text{int}(U_P). \end{aligned}$$

Hence, for any i such that $W^{ss,i}(f)$ exists, Eq. (23) gives

$$W^{+,i}(f_k) \setminus U_P = W^{+,i}(h_k) \setminus U_P.$$

The proof follows the exact same path on the unstable manifolds. Thus all the conclusions of Proposition 1.4 are satisfied.

We just showed that Proposition 1.4 for the particular case of fixed points implies the same Proposition in all generality. We are reduced to studying the case where P is a fixed point.

4. Proof of Proposition 1.4 for the fixed point case. In this section, $1 \leq r \leq \infty$ and $P \in M$ are fixed. We denote by $\text{Diff}_P^r(M)$ the set of diffeomorphisms that fix P .

To get Proposition 1.4, it is sufficient to prove the following proposition, for all the pairs I, J of finite sets of positive integers:

Proposition ($\mathcal{P}_{I,J}$). *Let $f \in \text{Diff}_P^r(M)$ such that the i -strong stable manifold $W^{ss,i}(f)$ and the j -strong unstable manifold $W^{uu,i}(f)$ of P for f are well-defined, for each $i \in I$ and $j \in J$.*

Let g_k and h_k be two sequences in $\text{Diff}_P^r(M)$ converging to the diffeomorphism f . Choose sequences $W^+(h_k)$ and $W^-(h_k)$ of local strong stable and unstable manifolds of P for the diffeomorphisms h_k that converge respectively to a local stable manifold $W^+(f)$ and a local unstable manifold $W^-(f)$ for f , in the C^r -topology.

Assume that the dimensions of $W^+(f)$ and $W^-(f)$ are respectively the greatest elements of I and J .⁸ Let U_P be a neighborhood of P .

Then there exist:

- a neighborhood $V_P \subset U_P$ of P ,
- a sequence f_k of $\text{Diff}_P^r(M)$ converging to f ,
- two sequences of local strong stable and unstable manifolds $W^+(f_k)$ and $W^-(f_k)$ of P that tend respectively to $W^+(f)$ and $W^-(f)$, in the C^r topology,

such that it holds, for large k :

- $f_k^{\pm 1} = g_k^{\pm 1}$ inside V_P ,

⁸That assumption is here in order to simplify the redaction of the proof by induction of $\mathcal{P}_{I,J}$. It can be removed, thanks to the use of regular local manifolds (see Footnote 13). Thus, Proposition 1.4 is indeed implied by the propositions $\mathcal{P}_{I,J}$.

- $f_k^{\pm 1} = h_k^{\pm 1}$ outside U_P ,
- For any integer $i \in I$, the manifolds $W^{ss,i}(f_k)$ and $W^{ss,i}(h_k)$ exist and

$$W^{+,i}(f_k) \setminus U_P = W^{+,i}(h_k) \setminus U_P,^9$$

and likewise for any $j \in J$, replacing stable manifolds by unstable ones.

We prove $\mathcal{P}_{I,J}$ by induction on all the pairs I, J of finite sets in $\mathbb{N} \setminus \{0\}$. We initiate the induction by the proof of $\mathcal{P}_{\emptyset, \emptyset}$. Then, for any $J \subset \mathbb{N}$ and any nonempty set of integers I , writing it as a disjoint union

$$I = \{i_0\} \sqcup I^*,$$

we prove that $\mathcal{P}_{I^*, J}$ implies $\mathcal{P}_{I, J}$ (this is the main difficulty of this paper and is treated in Section 5). Symmetrically, replacing f, g_k and h_k by f^{-1}, g_k^{-1} and h_k^{-1} , respectively, we straightforwardly deduce that \mathcal{P}_{J, I^*} implies $\mathcal{P}_{J, I}$. This terminates the induction.

Proof of $\mathcal{P}_{\emptyset, \emptyset}$: This is a slight refinement of the usual Franks' lemma. Take the neighborhood $V_P \subset U_P$ of P small enough. Take a partition of unity $1 = \theta + \zeta$, where $\theta = 1$ outside a closed set in the interior of $U_P \cap f(U_P)$, and $\theta = 0$ on a neighborhood of the closure of $V_P \cup f(V_P)$. Finally define $f_k = \theta h_k + \zeta g_k$. For large k , f_k is a diffeomorphism of M and $f_k^{\pm 1} = g_k^{\pm 1}$ inside V_P and $f_k^{\pm 1} = h_k^{\pm 1}$ outside U_P . \square

5. Proposition $\mathcal{P}_{I^*, J}$ implies Proposition $\mathcal{P}_{I, J}$. This is the most difficult part of this paper. Although conceptually rather natural, there is a lot of work needed to prove it rigorously.

Throughout this section, we assume that Proposition $\mathcal{P}_{I^*, J}$ holds and we put ourselves under the hypotheses and notations of Proposition $\mathcal{P}_{I, J}$ stated in Section 4.

Our aim in this section is to build a sequence of diffeomorphisms f_k and sequences of local invariant manifolds $W^+(f)$ and $W^-(f)$ that will satisfy the conclusions of Proposition $\mathcal{P}_{I, J}$. We will operate by doing two consecutive perturbations on the sequence of diffeomorphisms h_k in a neighborhood of P :

- first, by application of the induction hypothesis $\mathcal{P}_{I^*, J}$, that will give us a sequence \tilde{g}_k of diffeomorphisms and sequences $W^+(\tilde{g}_k)$ and $W^-(\tilde{g}_k)$ of local invariant manifolds that satisfy the conclusions of $\mathcal{P}_{I^*, J}$. The only thing lacking will be the control of the lowest dimensionnal local strong stable manifold $W^{+,i_0}(\tilde{g}_k)$ of \tilde{g}_k .
- second, by a "pushing perturbation" of that sequence \tilde{g}_k supported on a box $\mathbf{T} \subset U_P$, that will push the local i_0 -strong stable manifolds to coincide with the local i_0 -strong stable manifold of h_k "before \mathbf{T} ", and in particular outside U_P (Fig. 9 gives an idea of it).

In Section 5.1, we set the stage for these two successive perturbations. First we show we can assume the local strong stable manifolds to have some regularity, which greatly simplifies the proofs. We then define the neighborhood \tilde{U}_P of P on which the first perturbation given by $\mathcal{P}_{I^*, J}$ will be supported, and the box \mathbf{T} on which the second perturbation will be supported (see Fig. 6). We finally give a number of preliminary topological results on the way \mathbf{T} intersects the local strong stable manifolds.

In the short Section 5.2, we do the first perturbation and build the sequence \tilde{g}_k .

⁹see Definition 3.1.

The construction of the second perturbation is much more intricate and is the purpose of Sections 5.3 to 5.5.

5.1. Framework for the proof of $\mathcal{P}_{I,J}$. This subsection is devoted to defining the boxes on which our two sequences of perturbations will be supported, and giving a number of preliminary results.

5.1.1. *Regularity assumption on the local invariant manifolds.*

Definition 5.1 (regularity). A local i -strong stable manifold $W^+(g)$ of a diffeomorphism $g \in \text{Diff}_P^r(M)$ is *regular* if it is strictly g -invariant, if the boundary $\partial W^+(g)$ of the disk $W^+(g)$ intersects transversally¹⁰ any j -strong stable manifold $W^{ss,j}(g)$, with $j < i$, and if $W^{+,j}(g) = W^+(g) \cap W^{ss,j}(g)$ is again a strictly invariant local i -strong stable manifold.

By a folklore argument, such regular local strong stable manifolds exist, for all indices.¹¹

Choose a regular local strong stable manifold for f . Any of its preimages by f is again regular. Take a preimage that contains $W^+(f)$ in its interior. Hence, by Lemma 3.2, we can do the following:

Remark 5.2. We may augment $W^+(f)$ and assume in the rest of Section 5 that it is regular, without loss of generality.

Remark 5.3. Let ξ_k be a sequence in $\text{Diff}_P^r(M)$ converging to the the regular local strong stable manifold $W^+(f)$. Then,

1. For any strong stable manifold $W^{ss,i}(f)$, the set

$$W^{+,i}(f) = W^+(f) \cap W^{ss,i}(f)$$

is also a regular local strong stable manifold.

2. Given a sequence $W^+(\xi_k)$ of local strong stable manifolds that converges to $W^+(f)$, for large k , it holds:
 - $W^+(\xi_k)$ is also regular,
 - for any strong stable manifold $W^{ss,i}(f)$, the set $W^{+,i}(\xi_k)$ is again a regular local i -strong stable manifold¹², and the corresponding sequence converges to $W^{+,i}(f)$ for the C^r -topology.

¹⁰Here we mean transversally within the manifold $W^{ss,i}(g)$.

¹¹*Sketch a proof:* we can assume that $g \in \text{Diff}(\mathbb{R}^d)$ and that the fixed point P is 0.

It is easy to find one for the linear map Dg_0 tangent to g at 0: let I be the set of its strong stable dimensions. Let $i \in I$, and $j = i + \delta_i$ be the next biggest element in I . Let $\mathbb{R}^d = E^{ss,i} \oplus E^{\delta_i} \oplus F^{d-j}$ be the corresponding dominated splitting on \mathbb{R}^d for Df_0 .

If $W^{+,i} \subset E^{ss,i}$ is a regular local i -strong stable manifold for Dg_0 and B is a strictly invariant smooth ball for $Dg_0|_{E^{\delta_i}}$, then $W^{+,j} = W^{+,i} \times \alpha \cdot B$ is a strictly invariant subset of $E^{ss,j} = E^{ss,i} \oplus E^{\delta_i}$ by Dg_0 . Its boundary $\partial W^{+,j}$ is transverse to the strong stable manifolds of dimension $\leq i$. This makes sense: while that boundary has some rough edges, namely $\partial W^{+,i} \times \alpha \cdot \partial B$, those edges do not meet the stable manifolds of lesser dimension. Hence the edges can be smoothed preserving the needed transversality and strict invariance properties. This builds by induction a flag of regular local strong stable manifolds for Dg_0 .

Consider the local projection π of the Dg_0 -invariant space $\mathbb{R}^i \times \{0\}^{d-i}$ along the fibres $\{0\}^i \times \mathbb{R}^{d-i}$ on a local i -strong stable manifold of 0 for g . This projection is locally well-defined and diffeomorphic close to 0. If $W^{+,i}$ is a regular local i -strong stable manifold for Dg_0 , then $\alpha \cdot W^{+,i}$ is also one and, for small $\alpha > 0$, $\pi(\alpha \cdot W^{+,i})$ is a regular local i -strong stable manifold for g . \square

¹²The previous parts of the remark are particular cases of this, but we first stated them for clarity.

Using regular strong stable/unstable manifolds, one easily sees¹³ that the technical dimension assumption of $\mathcal{P}_{I,J}$ can be removed, as pointed out in Footnote 8.

We state without a proof the two following topological lemma:

Lemma 5.4 (Folklore 1). *Let ξ_k be a sequence in $\text{Diff}_P^r(M)$ converging to f , and let $\hat{W}^+(\xi_k)$ be a sequence of local strong stable manifolds that converges to a local strong stable manifold $\hat{W}^+(f)$ that contains a regular local strong stable manifold $W^+(f)$. Let $\mathbb{S}_k \in \hat{W}^+(\xi_k)$ be a sequence of smooth spheres such that $\mathbb{S}_k \rightarrow \mathbb{S} = \partial W^+(f)$.*

Then, for large k , the sphere \mathbb{S}_k is the boundary $\partial W^+(\xi_k)$ of a local strong stable manifold $W^+(\xi_k) \subset \hat{W}^+(\xi_k)$, and the sequence $W^+(\xi_k)$ converges C^r to $W^+(f)$.

Lemma 5.5 (Folklore 2). *Let ξ_k be a sequence in $\text{Diff}_P^r(M)$ converging to f , and let $W^+(\xi_k)$ be a sequence of local strong stable manifolds that converges to the regular local strong stable manifold $W^+(f)$. Let $W^{+,i}(\xi_k)$ be a sequence of local i -strong stable manifolds that converges to the local i -strong stable manifold $W^{+,i}(f)$ such that each boundary $\partial W^{+,i}(\xi_k)$ is inside $W^+(\xi_k)$.*

Then, for large k , $W^{+,i}(\xi_k)$ lies inside $W^+(\xi_k)$, therefore inside $W^{+,i}(f)$.

5.1.2. *Definition of the boxes \mathbf{T} and $\tilde{U}_P = \tilde{\mathbf{A}} \times [-1, 1]^{d-i_0}$ on which the perturbations will be supported.* For simplicity, we assume that U_P is open (if not, replace it by its interior). Define the local stable manifold of P for f inside U_P by

$$W^+(f, U_P) = \bigcap_{n \geq 0} f^{-n}(U_P \cap W^+(f)),$$

that is, the set of points in $W^+(f)$ whose positive orbit remains in U_P . Define the i -strong stable part of $W^+(f, U_P)$ by

$$W^{+,i}(f, U_P) = W^{ss,i}(f) \cap W^+(f, U_P).$$

Note that $W^{+,i}(f, U_P)$ is an open neighborhood of P in the embedded manifold $W^{ss,i}(f)$, and an i -dimensional boundaryless submanifold of M . Hence, there exists a C^r -embedded annulus

$$\mathbf{A} = \mathbb{S}^{i_0-1} \times [-1, 3] \subset W^{+,i_0}(f, U_P) \setminus \{P\}$$

such that:

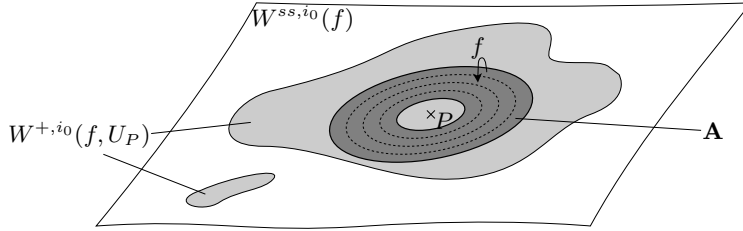
- each set $\mathbf{A}_{[n-1,n]} = \mathbb{S}^{i_0-1} \times [n-1, n] \subset \mathbf{A}$, for $n = 0, 1, 2, 3$, is a fundamental domain of $W^{ss,i_0}(f) \setminus \{P\}$, for the dynamics of f
- the map f sends the set $\mathbf{A}_{[n-1,n]}$ on $\mathbf{A}_{[n,n+1]}$, for $n = 0, 1, 2$ (in particular, it sends $\mathbf{A}_{\{n\}} = \mathbb{S}^{i_0-1} \times \{n\}$ on $\mathbf{A}_{\{n+1\}}$).

¹³ *proof:* we put ourselves under the hypotheses of $\mathcal{P}_{I,J}$, minus the dimension assumption on $W^+(f)$ and $W^-(f)$. We want to show that the conclusions of $\mathcal{P}_{I,J}$ hold.

Let I_f, J_f be the sets of strong stable and strong unstable dimensions for f . Put $i_s = \max I_f$. We find a sequence $\tilde{W}^+(h_k) \supset W^+(h_k)$ of regular i_s -strong stable manifolds converging to a regular i_s -strong stable manifold $\tilde{W}^+(f)$ that contains $W^+(f)$ in its interior. Find symmetrically a sequence $\tilde{W}^-(h_k)$ converging to some $\tilde{W}^-(f)$.

Let $f_k, \tilde{W}^+(f_k)$ and $\tilde{W}^-(f_k)$ be sequences given by the conclusions of \mathcal{P}_{I_f, J_f} with respect to those sequences $\tilde{W}^+(h_k)$ and $\tilde{W}^-(h_k)$. Then the sequences f_k and the sequence of local i -strong stable/unstable manifolds $\hat{W}^+(f_k) = \tilde{W}^+(f_k) \cap W^{ss,i}(f_k)$ and $\hat{W}^-(f_k) = \tilde{W}^-(f_k) \cap W^{uu,j}(f_k)$ satisfy the conclusions of $\mathcal{P}_{I,J}$, with respect to the sequences of local i -strong stable/unstable manifolds $\hat{W}^+(h_k) = \tilde{W}^+(h_k) \cap W^{ss,i}(h_k)$ and $\hat{W}^-(h_k) = \tilde{W}^-(h_k) \cap W^{uu,j}(h_k)$.

By Lemma 3.2, the conclusions of $\mathcal{P}_{I,J}$ also hold with respect to the sequences $W^+(h_k)$ and $\tilde{W}^-(h_k)$. Apply again Lemma 3.2 on the unstable side (we may replace the diffeomorphisms by their inverses) to also replace $\tilde{W}^-(h_k)$ by $W^-(h_k)$. \square

FIGURE 5. The annulus \mathbf{A} .

Proposition 5.6. *There exists a thickening of the annulus \mathbf{A} into a C^r -coordinated box $\mathbf{T} = \mathbb{S}^{i_0-1} \times [-1, 3] \times [-1, 1]^{d-i_0} \subset U_P$ such that:*

- for all $i \in I$, the intersections $\mathbf{T} \cap W^{+,i}(f, U_P)$ and $\mathbf{T} \cap W^{+,i}(f)$ are both equal to the i -dimensional box

$$\mathbf{T}^i = \mathbf{A} \times [-1, 1]^{i-i_0} \times \{0\}^{d-i},$$

- the box \mathbf{T} does not intersect the local unstable manifold $W^-(f)$,
- the map f sends the set $\mathbf{T}_{[n-1, n]} = \mathbf{A}_{[n-1, n]} \times [-1, 1]^{d-i_0}$ on $\mathbf{T}_{[n, n+1]}$, for $n = 0, 1, 2$.

Proof. We first build the i -dimensional thickenings \mathbf{T}^i of \mathbf{A} by induction on $i \in I$. Initiate with $\mathbf{T}^{i_0} = \mathbf{A}$. The thickening of \mathbf{T}^i to \mathbf{T}^j , where $j \in I$ is the least integer strictly greater than i , is easy folklore using that $W^{+,i}(f, U_P) \cap W^{+,j}(f, U_P)$ is a submanifold of the boundaryless manifold $W^{+,j}(f, U_P)$. The final thickening from \mathbf{T}^{i_m} to \mathbf{T} , with $i_m = \max I$, is the same folklore, using moreover the compactness of $W^-(f)$. \square

Finally, we build the box \tilde{U}_P on which the first perturbation (see Section 5.2) will be supported. Let $\tilde{\mathbf{A}}$ be a local i_0 -strong stable manifold for f that does not intersect \mathbf{A} . We thicken it into a closed neighborhood $\tilde{U}_P \subset U_P$ of P that identifies diffeomorphically to $\tilde{\mathbf{A}} \times [-1, 1]^{d-i_0}$ such that:

- $\tilde{U}_P \cap W^+(f, U_P)$ corresponds to $\tilde{\mathbf{A}} \times [-1, 1]^{i_s-i_0}$, where i_s is the stable index of P for f ,
- \tilde{U}_P does not intersect \mathbf{T} .

See Figure 6 for a general picture.

5.1.3. *Before- and after- $\mathbf{T}_{\{0\}}$ regions in the local i_0 -strong stable manifolds.* Define the 0-abscissa sphere of \mathbf{A} and the 0-abscissa strip of \mathbf{T} , respectively, by

$$\begin{aligned} \mathbf{A}_{\{0\}} &= \mathbb{S}^{i_0-1} \times \{0\} \subset \mathbb{S}^{i_0-1} \times [-1, 3] = \mathbf{A} \\ \mathbf{T}_{\{0\}} &= \mathbf{A}_{\{0\}} \times [-1, 1]^{d-i_0} \subset \mathbf{A} \times [-1, 1]^{d-i_0} = \mathbf{T}. \end{aligned}$$

We prove in this section that, for any diffeomorphism ξ sufficiently close to f that fixes P , and for any local strong stable manifold $W^+(\xi)$ sufficiently C^r -close to $W^+(f)$, the set $W^{+,i_0}(\xi)$ is transversally cut by $\mathbf{T}_{\{0\}}$ into the disjoint union of a before- $\mathbf{T}_{\{0\}}$ region that does not intersect \tilde{U}_P and an after- $\mathbf{T}_{\{0\}}$ region that is strictly invariant by ξ and included in $W^{+,i_0}(\xi, U_P)$.

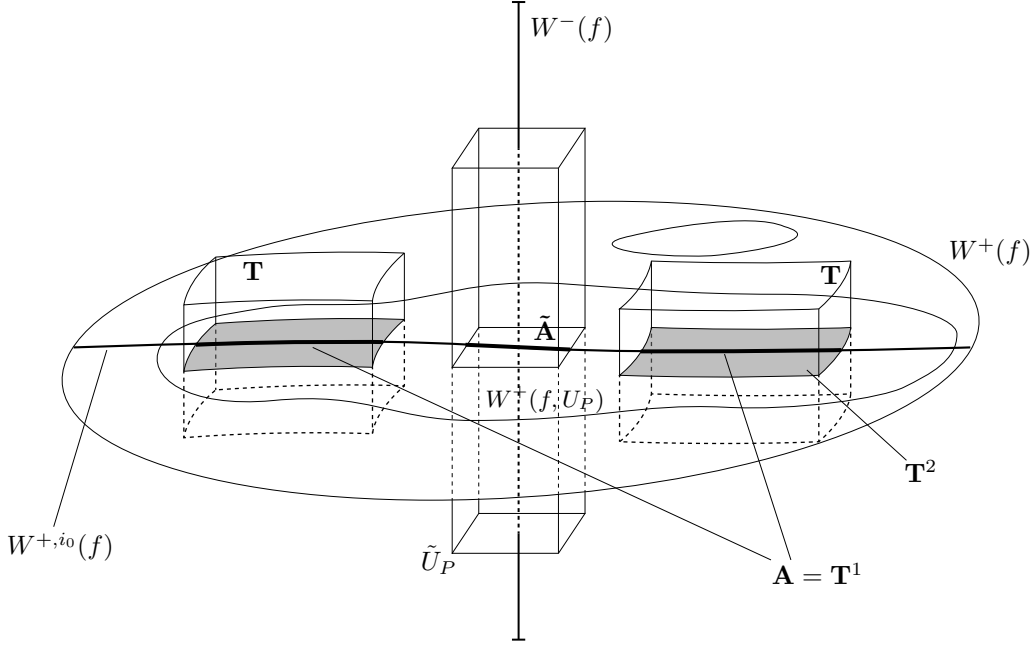


FIGURE 6.

Let $W_{\geq 0}^{+,i_0}(f) \subset W^{+,i_0}(f)$ be the closed i_0 -disk whose boundary is the sphere $\mathbf{A}_{\{0\}}$. It is strictly f -invariant: f sends it in its interior relative to the manifold $W^{ss,i_0}(f)$. We may call that local strong stable manifold, the *after- $\mathbf{T}_{\{0\}}$ region* of $W^{+,i_0}(f)$, and may also write

$$W_{\geq 0}^{+,i_0}(f) = \mathbf{A}_{\geq 0}.$$

By opposition, its complement set

$$W_{< 0}^{+,i_0}(f) = W^{+,i_0}(f) \setminus W_{\geq 0}^{+,i_0}(f)$$

is called the *before- $\mathbf{T}_{\{0\}}$ region* in $W^{+,i_0}(f)$. Note that $\mathbf{A} \subset W^{+,i_0}(f, U_P)$ implies that

$$W_{\geq 0}^{+,i_0}(f) \subset W^{+,i_0}(f, U_P) \quad (24)$$

Lemma 5.7. *Let a sequence $\xi_k \in \text{Diff}_P^r(M)$, and a sequence of local strong stable manifolds such that*

$$\begin{aligned} \xi_k &\xrightarrow{C^r} f \\ W^+(\xi_k) &\xrightarrow{C^r} W^+(f). \end{aligned}$$

Then, for large k , it holds:

1. for all $i \in I$, $\mathbf{T}_{\xi_k}^i = W^{+,i}(\xi_k) \cap \mathbf{T}$ is the graph of a C^r -map

$$F_{\xi_k}^i : \mathbf{A} \times [-1, 1]^{i-i_0} \rightarrow [-1, 1]^{d-i}.$$

The sequence $(F_{\xi_k}^i)_{k \geq k_0}$ C^r -converges uniformly to 0,

2. $\mathbf{A}_{\{0\},\xi_k} = W^{+,i_0}(\xi_k) \cap \mathbf{T}_{\{0\}}$ is the boundary of an after- $\mathbf{T}_{\{0\}}$ region in $W^{+,i_0}(\xi_k)$, that is, a strictly ξ_k -invariant smoothly embedded closed ball

$$W_{\geq 0}^{+,i_0}(\xi_k) \subset W^{+,i_0}(\xi_k, U_P).$$

3. The before- $\mathbf{T}_{\{0\}}$ region in $W^{+,i_0}(\xi_k)$, defined by

$$W_{< 0}^{+,i_0}(\xi_k) = W^{+,i_0}(\xi_k) \setminus W_{\geq 0}^{+,i_0}(\xi_k)$$

does not intersect \tilde{U}_P and satisfies

$$W_{< 0}^{+,i_0}(\xi_k) \setminus U_P = W^{+,i_0}(\xi_k) \setminus U_P. \quad (25)$$

Moreover, the sequence $W_{\geq 0}^{+,i_0}(\xi_k)$ converges for the C^r topology to $W_{\geq 0}^{+,i_0}(f)$.

See Fig. 7 for a picture.

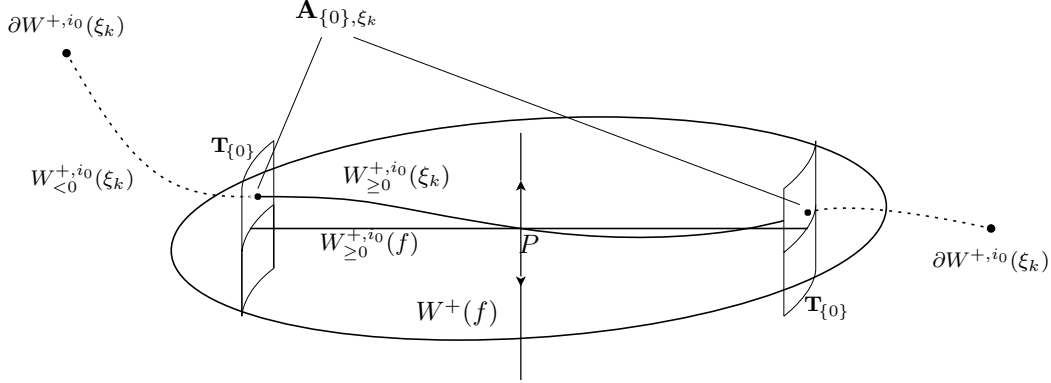


FIGURE 7.

Remark 5.8. The set $W_{< 0}^{+,i_0}(\xi_k)$ can be characterized as the unique bounded full-dimensional submanifold of $W^{ss,i_0}(\xi_k)$ delimited by the two disjoint spheres $\partial W^{+,i_0}(\xi_k)$ and $\mathbf{A}_{\{0\},\xi_k}$, that contains $\partial W^{+,i_0}(\xi_k)$ and that does not intersect $\mathbf{A}_{\{0\},\xi_k}$.

Before showing Lemma 5.7, we state without a proof an elementary topology lemma:

Lemma 5.9. *Let $0 \leq i \leq d$. Let V be a C^r i -dimensional boundaryless submanifold in M , and let $W \subset V$ be a C^r compact i -dimensional manifold, possibly with boundary and corners. Let*

$$W \times [-1, 1]^{d-i} \subset M$$

be a C^r -embedding that does not intersect $\partial V = \text{cl}(V) \setminus V$, where cl is the closure in M , and such that

$$W \times [-1, 1]^{d-i} \cap V = W.$$

Let V_k be a sequence of embeddings of V into M converging uniformly to $V \xrightarrow{\text{Id}} M$ for the C^r -topology. Then, for large k , the set $W \times [-1, 1]^{d-i} \cap V_k$ is the graph of a C^r -map

$$F_k : W \rightarrow [-1, 1]^{d-i},$$

and the sequence F_k converges uniformly to 0 in the C^r -topology.¹⁴

Proof of Lemma 5.7. By regularity of $W^+(f)$ and Remark 5.3, for all $i \in I$, $W^{+,i}(\xi_k)$ is a sequence of i -disks that converges to $W^{+,i}(f)$ for the C^1 -topology. Then Item 1 is a straightforward consequence of Lemma 5.9.

Note that $W^{+,i_0}(f)$ intersects $\mathbf{T}_{\{0\}}$ transversally into a sphere $\mathbf{A}_{\{0\}}$ that does not intersect the boundaries $\partial W^{+,i_0}(f)$ and $\partial \mathbf{T}_{\{0\}}$. Thus, for large k , $W^{+,i_0}(\xi_k)$ intersects also $\mathbf{T}_{\{0\}}$ transversally into a sphere $\mathbf{A}_{\{0\},\xi_k}$ and the sequence $\mathbf{A}_{\{0\},\xi_k}$ converges to the sphere $\mathbf{A}_{\{0\}}$ in the C^1 topology. By Lemma 5.4, for large k , the sphere $\mathbf{A}_{\{0\},\xi_k}$ delimits a local i_0 -strong stable manifold $W_{\geq 0}^{+,i_0}(\xi_k)$, and the sequence of those manifolds converges to $W_{\geq 0}^{+,i_0}(f)$ for the C^r topology. By Eq. (24), $W_{\geq 0}^{+,i_0}(f) \subset U_P$ thus $W_{\geq 0}^{+,i_0}(\xi_k) \subset U_P \cap W^{+,i_0}(\xi_k) = W^{+,i_0}(\xi_k, U_P)$, for large k . By regularity of $W^+(f)$, we get the strict ξ_k -invariance of $W_{\geq 0}^{+,i_0}(\xi_k)$, for large k . This ends the proof of Item 2.

The C^r -convergence of $W_{\geq 0}^{+,i_0}(\xi_k)$ to $W_{\geq 0}^{+,i_0}(f)$, gives that any adherence value of a sequence $x_k \in W_{< 0}^{+,i_0}(\xi_k)$ is in the closure of $W_{< 0}^{+,i_0}(f)$, that is, outside \tilde{U} . Thus, for large k , $W_{< 0}^{+,i_0}(\xi_k) \cap \tilde{U} = \emptyset$. Eq. (25) comes from $W_{\geq 0}^{+,i_0}(\xi_k) \subset U_P$. \square

In the next two sections, and as already explained in the introduction of Section 5, we build by two consecutive perturbations of the sequence h_k , a sequence f_k that matches the conclusions of Proposition $\mathcal{P}_{I,J}$.

5.2. First perturbation: application of the induction hypothesis. Apply Proposition $\mathcal{P}_{I^*,J}$ to the pair of sequences (g_k, h_k) with $U_P := \tilde{U}_P$. We rename the sequence f_k thus obtained into \tilde{g}_k , and save the name " f_k " for the sequence of diffeomorphisms we want to build ultimately: a sequence that will satisfy the stronger conclusions of $\mathcal{P}_{I,J}$. We now have

- a neighborhood $\tilde{V}_P \subset \tilde{U}_P$ of P ,
- a sequence \tilde{g}_k of diffeomorphisms that converges C^r to f ,
- sequences of local strong stable and unstable manifolds $W^+(\tilde{g}_k)$ and $W^-(\tilde{g}_k)$ that tend respectively to $W^+(f)$ and $W^-(f)$,

such that for large k ,

- $\tilde{g}_k^{\pm 1} = g_k^{\pm 1}$ on \tilde{V}_P
- $\tilde{g}_k^{\pm 1} = h_k^{\pm 1}$ outside \tilde{U}_P ,
- for all $i \in I^*$, the i -strong stable parts $W^{+,i}(\tilde{g}_k)$ and $W^{+,i}(h_k)$ of $W^+(\tilde{g}_k)$ and $W^+(h_k)$ are well-defined and

$$W^{+,i}(\tilde{g}_k) \setminus \tilde{U}_P = W^{+,i}(h_k) \setminus \tilde{U}_P,$$

and likewise for any $j \in J$, replacing stable manifolds by unstable ones.

5.3. Second perturbation: the pushing perturbation. We want to push the manifold $W^{+,i_0}(\tilde{g}_k)$ to make it coincide with $W^{+,i_0}(h_k)$ before $\mathbf{T}_{\{0\}}$ by composing \tilde{g}_k by a diffeomorphism supported in \mathbf{T} . Lemma 5.7 Item 2 will then imply that both local manifolds coincide outside U_P , which is what we ultimately want.

We want moreover that that pushing does not affect the other strong stable manifolds $W^{+,i}(\tilde{g}_k)$, for all $i \in I^*$, which already coincide with $W^{+,i}(h_k)$ outside U_P . For this we need to push the manifold $W^{+,i_0}(\tilde{g}_k)$ within the sets $\mathbf{T}_{\tilde{g}_k}^{i_0}$.

¹⁴ When $i = d$, we put $[-1, 1]^{d-i} = \{0\}$ and $W \times [-1, 1]^{d-i} = W$. That is, for any $k \geq k_0$, $W \cap V_k = W$.

Sketch of the construction of the second perturbation: In order to make the construction of that pushing simpler, we consider a sequence of changes of coordinates $\Phi_k: \mathbf{T} \rightarrow \mathbf{T}$, that tends to Id_M for the C^r topology, and such that in the Φ_k -coordinates, the sets $\mathbf{T}_{\tilde{g}_k}^i$ are the sets $\mathbf{T}^i = \mathbb{S}^{i_0-1} \times [-1, 1] \times [-1, 1]^{i-i_0} \times \{0\}^{d-i}$.

Those changes of coordinates Φ_k will be actually seen as a sequence of "straightening diffeomorphisms" of M that leave \mathbf{T} invariant and that straighten the sets $\mathbf{T}_{\tilde{g}_k}^i$ into the sets $\mathbf{T}^i = \Phi_k(\mathbf{T}_{\tilde{g}_k}^i)$. We work on new sequences \tilde{g}_k^* and h_k^* obtained by conjugation by Φ_k , and on the sequences $W^+(\tilde{g}_k^*)$ and $W^+(h_k^*)$ of images by ϕ_k of the sets $W^+(\tilde{g}_k)$ and $W^+(h_k)$. The local strong stable manifolds $W^{+,i}(\tilde{g}_k^*)$ and $W^{+,i}(h_k^*)$ are then the images of $W^{+,i}(\tilde{g}_k)$ and $W^{+,i}(h_k)$ by Φ_k . This is depicted in Fig. 8.

For all $i \in I^*$, the local stable manifolds $W^{+,i}(\tilde{g}_k^*)$ and $W^{+,i}(h_k^*)$ coincide outside \tilde{U}_P and intersect \mathbf{T} into \mathbf{T}^i . Then we build a sequence f_k^* of perturbations of \tilde{g}_k^* supported on \mathbf{T} so that the local strong stable manifold $W^{+,i_0}(f_k^*)$ is pushed to coincide with that of h_k^* before $\mathbf{T}_{\{0\}}$. That pushing is done within the sets \mathbf{T}^i , $i \in I^*$, so that the other manifolds $W^{+,i}(f_k^*)$ remain equal to those of \tilde{g}_k^* . This is done by Proposition 5.11, which proof is postponed to Section 5.4 (it is summarized in Fig. 9).

Finally, we pull back the diffeomorphisms f_k^* by the reverse conjugation, and the sequence $W^+(f_k^*)$ by the sequence of diffeomorphisms Φ_k^{-1} . We check in Section 5.3.2 that the sequences f_k and $W^+(f_k)$ thus obtained have all the required properties. \square

5.3.1. Straightening of the sets $\mathbf{T}_{\tilde{g}_k}^i$.

Lemma 5.10 (Existence of the straightening diffeomorphisms). *There exists a sequence Φ_k of diffeomorphisms in $\text{Diff}_P^r(M)$ that converges to the identity map Id_M for the C^r -topology and such that, for large k ,*

- $\Phi_k(\mathbf{T}) = \mathbf{T}$,
- $\Phi_k(\mathbf{T}_{\tilde{g}_k}^i) = \mathbf{T}^i$, for all $i \in I^*$.
- $\Phi_k = \text{Id}_M$ by restriction to \tilde{U}_P .

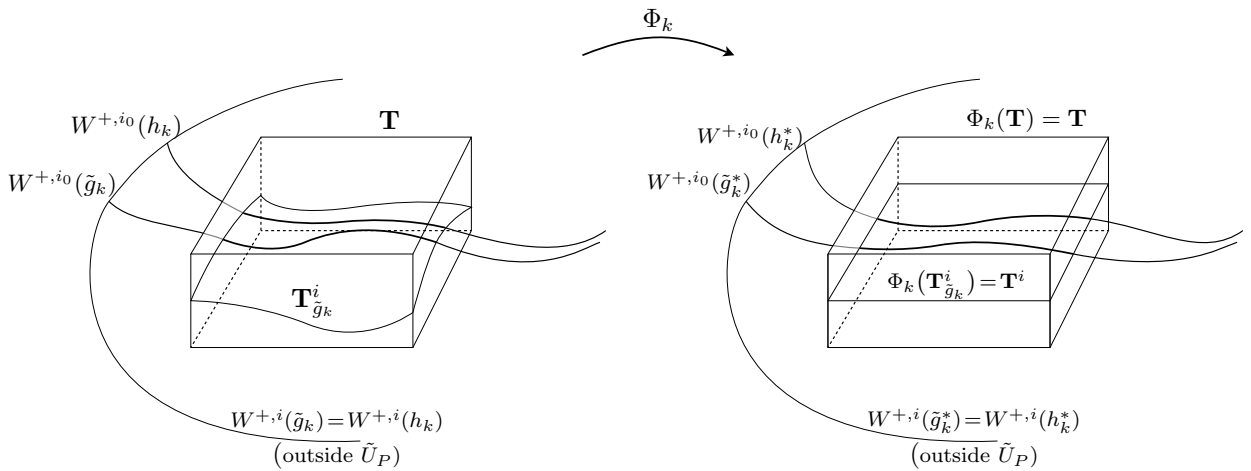


FIGURE 8. The diffeomorphism Φ_k straightens the intersection of \mathbf{T} with $W^{+,i}(\tilde{g}_k)$ (which coincides with $W^{+,i}(h_k)$ outside of \tilde{U}_P).

This lemma is proved at the end of this section. Define the two sequences

$$\begin{aligned}\tilde{g}_k^* &= \Phi_k \circ \tilde{g}_k \circ \Phi_k^{-1}, \\ h_k^* &= \Phi_k \circ h_k \circ \Phi_k^{-1}.\end{aligned}$$

Since $\Phi_k = \text{Id}$ by restriction to \tilde{U}_P , those are two sequences in $\text{Diff}_P^r(M)$ that tend to f , and

$$\tilde{g}_k^{*\pm 1} = h_k^{*\pm 1} \quad \text{outside } \tilde{U}_P. \quad (26)$$

On the other hand, the compact sets

$$\begin{aligned}W^+(\tilde{g}_k^*) &= \Phi_k[W^+(\tilde{g}_k)] \\ W^+(h_k^*) &= \Phi_k[W^+(h_k)]\end{aligned}$$

are local strong stable manifolds for \tilde{g}_k^* and h_k^* , respectively. Since $W^{ss,i}(\tilde{g}_k^*/h_k^*) = \Phi_k[W^{ss,i}(\tilde{g}_k/h_k)]$, we get that, for all $i \in I$,

$$W^{+,i}(\tilde{g}_k^*) \stackrel{\text{def}}{=} W^+(\tilde{g}_k^*) \cap W^{ss,i}(\tilde{g}_k^*) = \Phi_k[W^{+,i}(\tilde{g}_k)] \quad (27)$$

$$W^{+,i}(h_k^*) \stackrel{\text{def}}{=} W^+(h_k^*) \cap W^{ss,i}(h_k^*) = \Phi_k[W^{+,i}(h_k)]. \quad (28)$$

This, with the facts that Φ_k fixes $M \setminus \tilde{U}_P$ and $W^{+,i}(h_k) \setminus \tilde{U}_P = W^{+,i}(\tilde{g}_k) \setminus \tilde{U}_P$, for all $i \in I^*$ imply

$$W^{+,i}(h_k^*) \setminus \tilde{U}_P = W^{+,i}(\tilde{g}_k^*) \setminus \tilde{U}_P, \quad \text{for all } i \in I^*. \quad (29)$$

We have in particular $W^{+,i}(\tilde{g}_k^*) \cap \mathbf{T} = W^{+,i}(h_k^*) \cap \mathbf{T}$, since \tilde{U}_P does not intersect \mathbf{T} . Finally, as $\Phi_k(\mathbf{T}) = \mathbf{T}$, we get

$$\begin{aligned}W^{+,i}(\tilde{g}_k^*) \cap \mathbf{T} &= \Phi_k[W^{+,i}(\tilde{g}_k)] \cap \Phi_k(\mathbf{T}) \\ &= \Phi_k[W^{+,i}(\tilde{g}_k) \cap \mathbf{T}] \\ &= \Phi_k(\mathbf{T}_{\tilde{g}_k}^i) \\ W^{+,i}(\tilde{g}_k^*) \cap \mathbf{T} &= W^{+,i}(h_k^*) \cap \mathbf{T} = \mathbf{T}^i \quad \text{for all } i \in I^*.\end{aligned} \quad (30)$$

Proof of Lemma 5.10. We actually show the following:

Claim 3. *There is a sequence of sequences $\{(\Phi_k^j)_{k \in \mathbb{N}}\}_{j \in I^* \cup \{d\}}$ such that it holds, for all $j \in I^* \cup \{d\}$:*

$$\Phi_k^j \xrightarrow{C^r} \text{Id}_M$$

is a sequence of diffeomorphisms of M such that, for large k , on has

- $\Phi_k^j(\mathbf{T}) = \mathbf{T}$,
- $\Phi_k^j(\mathbf{T}_{\tilde{g}_k}^i) = \mathbf{T}^i$, for all $i \in I^* \cup \{d\}$, $i \geq j$. (if $d \notin I^*$, then let $\mathbf{T}_{\tilde{g}_k}^d = \mathbf{T}^d$)
- $\Phi_k^j = \text{Id}_M$ by restriction to \tilde{U}_P .

Proof of the claim: We build the sequences Φ_k^j by induction on $j \in I^* \cup \{d\}$. Take $\Phi_k^d = \text{Id}_M$ to initiate the induction: if $d \in I^*$, then by footnote 14, we have $\mathbf{T}_{\tilde{g}_k}^d = \mathbf{T}^d$ for large k , and if not, this is by definition.

Let $j_0 \in I^* \cup \{d\}$, with $j_0 > \min(I^*)$. Let $j_1 \in I^*$ be the greatest integer such that $j_1 < j_0$.

We now build the sequence $\Phi_k^{j_1}$ from $\Phi_k^{j_0}$. Let $\gamma_k = \Phi_k^{j_0} \circ \tilde{g}_k \circ \Phi_k^{j_0^{-1}}$. By Lemma 5.9, for large k , $\mathbf{T}_{\gamma_k}^{j_1} = (W^{+,j_1}(\gamma_k)) \cap \mathbf{T} = \Phi_k^{j_0}(W^{+,j_1}(\tilde{g}_k)) \cap \mathbf{T}$ is the graph of a C^r map

$$F_{\gamma_k}^{j_1} : \mathbf{A} \times [-1, 1]^{j_1 - i_0} \rightarrow [-1, 1]^{d - j_1},$$

and the sequence $\tilde{F}_{\gamma_k}^{j_1}$ C^r -converges to 0. Since $\Phi_k^{j_0}$ preserves \mathbf{T} , we have $\Phi_k^{j_0}(\mathbf{T}_k^{j_1}) = \mathbf{T}_{\gamma_k}^{j_1}$. By assumption, $\Phi_k^{j_0}(\mathbf{T}_k^{j_0}) = \mathbf{T}^{j_0}$, hence the map $F_{\gamma_k}^{j_1}$ takes its values in $[-1, 1]^{j_0 - j_1} \times \{0\}^{d - j_0}$.

Let ϕ_k be the diffeomorphism of the cylinder

$$\mathbf{A} \times [-1, 1]^{j_1 - i_0} \times \mathbb{R}^{j_0 - j_1} \times [-1, 1]^{d - j_0}$$

that leaves invariant each fiber

$$\{\alpha\} \times \{(x_{i_0+1}, \dots, x_{j_1})\} \times \mathbb{R}^{j_0 - j_1} \times \{(x_{j_0+1}, \dots, x_d)\},$$

and that is the translation by the vector $[0, \dots, 0, \tilde{F}_k^{j_1}(\alpha, x_{i_0+1}, \dots, x_{j_1})]$ by restriction to it. Then ϕ_k is a fibered diffeomorphism that sends $\mathbf{T}_{\gamma_k}^{j_1}$ on \mathbf{T}^{j_1} . By a partition of unity, one easily builds from ϕ_k a sequence

$$\psi_k \xrightarrow{C^r} \text{Id}_M$$

of diffeomorphisms of M such that, for large k ,

- ψ_k restricts to a fibered diffeomorphism of \mathbf{T} , leaving invariant each fiber

$$\{\alpha\} \times \{(x_{i_0+1}, \dots, x_{j_1})\} \times [-1, 1]^{j_0 - j_1} \times \{(x_{j_0+1}, \dots, x_d)\},$$

in particular, ψ_k leaves \mathbf{T}^i invariant for any $i \geq j_0$,

- the diffeomorphism ψ_k coincides with ϕ_k by restriction to

$$\mathbf{A} \times [-1, 1]^{j_1} \times \left[-\frac{1}{2}, \frac{1}{2}\right]^{j_0 - j_1} \times [-1, 1]^{d - j_0},$$

in particular it sends $\mathbf{T}_{\gamma_k}^{j_1}$ on \mathbf{T}^{j_1} for large k ,

- $\psi_k(\mathbf{T}) = \mathbf{T}$,
- $\psi_k = \text{Id}$ by restriction to \tilde{U}_P (remember that \tilde{U}_P is closed and does not intersect \mathbf{T}).

The sequence of the diffeomorphisms $\Phi_k^{j_1} = \psi_k \circ \Phi_k^{j_0}$ tends to Id_M and satisfies the following:

- $\Phi_k^{j_1}(\mathbf{T}) = \mathbf{T}$,
- $\Phi_k^{j_1}(\mathbf{T}_{\tilde{g}_k}^i) = \mathbf{T}^i$, for all $i \in I^* \cup \{d\}$, $i \geq j_1$.
- $\Phi_k^{j_1} = \text{Id}_M$ by restriction to \tilde{U}_P .

This ends the proof by induction of the claim. \square

The sequence $\Phi_k = \Phi_k^m$, where m is the least element of $I^* \cup \{d\}$, then concludes the proof of Lemma 5.10. \square

5.3.2. *End of the proof that $\mathcal{P}_{I^*, J}$ implies $\mathcal{P}_{I, J}$.* We assume in this section that we know how to push the local i_0 -strong stable manifold of \tilde{g}_k^* to coincide with that of h_k^* before $\mathbf{T}_{\{0\}}$, without changing the strong stable manifolds of other dimensions. Precisely, we assume the following:

Proposition 5.11. *There exists a sequence*

$$f_k^* \xrightarrow{C^r} f$$

of $\text{Diff}_P^r(M)$ and a sequence of local strong stable manifolds $W^+(f_k^*)$ converging to $W^+(f)$ such that, for large k :

- $f_k^{*\pm 1} = \tilde{g}_k^{*\pm 1}$ outside \mathbf{T} ,
- $W^{+,i_0}(f_k^*) = W^{+,i_0}(h_k^*)$ before $\mathbf{T}_{\{0\}}$, that is, $W_{<0}^{+,i_0}(f_k^*) = W_{<0}^{+,i_0}(h_k^*)$, with the notations of Lemma 5.7.
- for all $i \in I^*$, $W^{+,i}(f_k^*) = W^{+,i}(\tilde{g}_k^*)$.

The proof of this proposition is postponed until the next section. It terminates the proof that $\mathcal{P}_{I^*,J}$ implies $\mathcal{P}_{I,J}$: consider indeed the sequence

$$f_k = \Phi_k^{-1} \circ f_k^* \circ \Phi_k.$$

Note first that since Φ_k converges to Id_M in $\text{Diff}_P^r(M)$, f_k converges to f in $\text{Diff}_P^r(M)$. We have $f_k^{*\pm 1} = \tilde{g}_k^{*\pm 1}$ outside \mathbf{T} . Thus, for large k :

- Take an neighborhood $V_P \subset \tilde{V}_P$ of P whose closure does not intersect \mathbf{T} . Since we built \tilde{g}_k so that $g_k^{\pm 1} = \tilde{g}_k^{\pm 1}$ on \tilde{V}_P we get

$$f_k^{\pm 1} = g_k^{\pm 1} \quad \text{on } V_P.$$

- Since $\mathbf{T} \subset U_P$, we have $f_k^{\pm 1} = \tilde{g}_k^{\pm 1}$ outside of U_P . As $\tilde{U}_P \subset U_P$, and $\tilde{g}_k^{\pm 1} = h_k^{\pm 1}$ outside \tilde{U}_P for large k , we have

$$f_k^{\pm 1} = h_k^{\pm 1} \quad \text{outside } U_P.$$

We are now left to build local stable/unstable manifolds of f_k such that the corresponding strong stable/unstable manifolds of f_k coincide locally with those of h_k outside of U_P . Define

$$\begin{aligned} W^-(f_k) &= W^-(\tilde{g}_k) \\ W^+(f_k) &= \Phi_k^{-1} [W^+(f_k^*)]. \end{aligned}$$

The unstable manifolds case : Recall that the compact sets \mathbf{T} and $W^-(f)$ do not intersect and $f_k^{-1} = \tilde{g}_k^{-1}$ outside \mathbf{T} . Thus, for large k , $f_k^{-1} = \tilde{g}_k^{-1}$ on a neighborhood of $W^-(\tilde{g}_k)$. In particular, $W^-(f_k)$ is a sequence of local strong unstable manifolds for f_k , and $W^{-,j}(f_k) = W^{-,j}(\tilde{g}_k)$, for all $j \in J$. By our construction of \tilde{g}_k and $W^-(\tilde{g}_k)$, for all $j \in J$ it holds:

$$W^{-,j}(f_k) \setminus U_P = W^{-,j}(h_k) \setminus U_P.$$

□

The stable manifolds case : The same way as Eq. (27) and Eq. (28), we have, for all $i \in I$,

$$W^{+,i}(f_k) \stackrel{\text{def}}{=} W^+(f_k) \cap W^{ss,i}(f_k) = \Phi_k^{-1} [W^{+,i}(f_k^*)]. \quad (31)$$

In particular, by the conclusion of Proposition 5.11, for all $k \geq k_0$, for $i \in I^*$,

$$\begin{aligned} W^{+,i}(f_k) \setminus \tilde{U}_P &= \Phi_k^{-1} [W^{+,i}(\tilde{g}_k^*)] \setminus \tilde{U}_P \\ &= \Phi_k^{-1} [W^{+,i}(\tilde{g}_k^*) \setminus \tilde{U}_P], \quad \text{since } \Phi_k^{-1}(\tilde{U}_P) = \tilde{U}_P \\ &= \Phi_k^{-1} [W^{+,i}(\tilde{h}_k^*) \setminus \tilde{U}_P], \quad \text{by Eq. (29)}. \end{aligned}$$

From $\tilde{U}_P \subset U_P$, we finally have, for all $k \geq k_0$, for all $i \in I^*$:

$$W^{+,i}(f_k) \setminus U_P = W^{+,i}(h_k) \setminus U_P.$$

We apply Lemma 5.7 to $\xi_k = f_k$ and follow the corresponding notations. We have $\Phi_k = \text{Id}$ by restriction to $\mathbf{T}_{\{0\}}$, so that Eq. (31) gives

$$\begin{aligned} \mathbf{A}_{\{0\},f_k} &= W^{+,i_0}(f_k) \cap \mathbf{T}_{\{0\}} \\ &= W^{+,i_0}(f_k^*) \cap \mathbf{T}_{\{0\}} \\ &= \mathbf{A}_{\{0\},f_k^*} \end{aligned}$$

thus

$$\mathbf{A}_{\{0\},f_k} = \Phi_k^{-1}(\mathbf{A}_{\{0\},f_k^*}).$$

By Lemma 5.7 Item 2 and by the fact that $W^{ss,i_0}(f_k) = \Phi_k^{-1}[W^{ss,i_0}(f_k^*)]$, we get $W_{\geq 0}^{+,i_0}(f_k) = \Phi_k^{-1}[W_{\geq 0}^{+,i_0}(f_k^*)]$. As a consequence, $W_{< 0}^{+,i_0}(f_k) = \Phi_k^{-1}[W_{< 0}^{+,i_0}(f_k^*)]$. The same equalities hold replacing f_k by h_k and f_k^* by h_k^* . Therefore, the equality $W_{< 0}^{+,i_0}(f_k) = W_{< 0}^{+,i_0}(h_k)$ implies

$$W_{< 0}^{+,i_0}(f_k) = W_{< 0}^{+,i_0}(h_k)$$

With Item 3 of Lemma 5.7, for large k , we get

$$W^{+,i_0}(f_k) \setminus U_P = W^{+,i_0}(h_k) \setminus U_P.$$

□

Therefore, all the conclusions of Proposition $\mathcal{P}_{I,J}$ are satisfied by the sequences f_k , $W^+(f_k)$ and $W^-(f_k)$. This ends the proof that $\mathcal{P}_{I^*,J}$ implies $\mathcal{P}_{I,J}$.

5.4. Proof of Proposition 5.11. Let us first introduce a few notations and state two lemmas.

Putting ourselves under the assumptions and notations of Lemma 5.7, for large k , for all $\ell \in \mathbb{Z}$, the spheres $\xi_k^\ell(\mathbf{A}_{\{0\},\xi_k})$ and $\xi_k^{\ell+1}(\mathbf{A}_{\{0\},\xi_k})$ do not intersect and delimit a fundamental domain \mathcal{D}_{ℓ,ξ_k} diffeomorphic to $\mathbb{S}^{i_0-1} \times [0,1]$ of $W^{ss,i_0}(\xi_k)$, where $\mathbb{S}^{i_0-1} \times \{0\}$ corresponds to $\xi_k^\ell(\mathbf{A}_{\{0\},\xi_k})$. We choose it so that it contains the first sphere and does not intersect the second one.

For all $\ell \in \mathbb{Z}$, $\mathcal{D}_{\ell,f}$ is the fundamental domain of $W^{ss,i_0}(\xi_k)$ delimited by $f^\ell(\mathbf{A}_{\{0\}})$ and $f^{\ell+1}(\mathbf{A}_{\{0\}})$.

Remark 5.12. For all $\ell \in \mathbb{Z}$, the sequence of manifolds \mathcal{D}_{ℓ,ξ_k} converges to $\mathcal{D}_{\ell,f}$, for the C^r -topology.

Recall that, for all $-1 \leq a \leq b \leq 3$, $\mathbf{A}_{[a,b]}$ is the subset $\mathbb{S}^{i_0-1} \times [a,b] \subset \mathbf{A}$ and

$$\mathbf{T}_{[a,b]} = \mathbf{A}_{[a,b]} \times [-1,1]^{d-i_0}.$$

The same way as we defined $W_{\geq 0}^{+,i_0}(f)$, let $W_{\geq 1/2}^{+,i_0}(f) \subset W^{+,i_0}(f)$ be the closed i_0 -disk whose boundary is the sphere $\mathbf{A}_{\{1/2\}}$. Note that it is strictly f invariant, in particular it is a local strong stable manifold.

The following lemma is a continuation of Lemma 5.7.

Lemma 5.13. *There is $n_m \in \mathbb{N}$ such that, for large k ,*

1. *the sphere $\mathbf{A}_{\{1/2\},\xi_k} = W^{+,i_0}(\xi_k) \cap \mathbf{T}_{\{1/2\}}$ delimits in $W^{+,i_0}(\xi_k)$ a strictly ξ_k -invariant disk $W_{\geq 1/2}^{+,i_0}(\xi_k)$,*
2. *the sets $W_{< 0}^{+,i_0}(\xi_k)$ and $\xi_k[W_{\geq 1/2}^{+,i_0}(\xi_k)]$ do not intersect $\mathbf{T}_{[0,4/3]}$,*

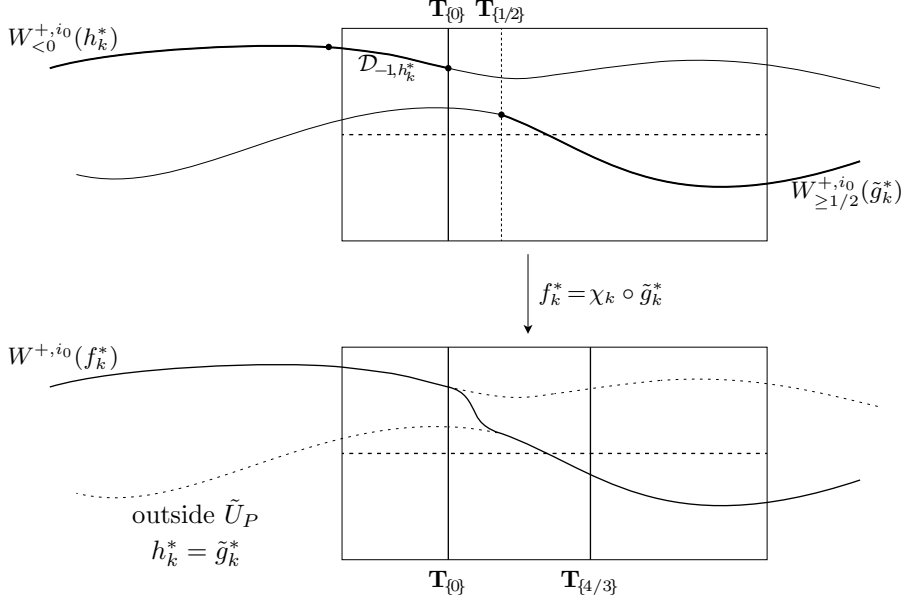


FIGURE 9. Idea of the proof of Proposition 5.11.

Composing \tilde{g}_k^* by a small diffeomorphism χ_k supported in $\mathbf{T}_{[0,4/3]}$, we will make the second iterate of \mathcal{D}_{-1,h_k^*} fall in $W_{\geq 1/2}^{+,i_0}(\tilde{g}_k^*)$. The local i_0 -strong stable manifold $W^{+,i_0}(f_k^*)$ thus obtained will then coincide with that of h_k^* before $\mathbf{T}_{\{0\}}$.

3. for all $x \in W_{<0}^{+,i_0}(\xi_k)$, there is an integer $0 \leq n_{x,k} < n_m$ such that

$$\begin{aligned} \xi_k^\ell(x) &\in W_{<0}^{+,i_0}(\xi_k), \quad \text{for all } 0 \leq \ell \leq n_{x,k}, \\ \xi_k^{n_{x,k}}(x) &\in \mathcal{D}_{-1,\xi_k}. \end{aligned}$$

Moreover, the sequence of local strong stable manifolds $W_{\geq 1/2}^{+,i_0}(\xi_k)$ C^r -converges to $W_{\geq 1/2}^{+,i_0}(f)$.

Proof. The first item and the fact that $W_{\geq 1/2}^{+,i_0}(\xi_k)$ C^r -converges to $W_{\geq 1/2}^{+,i_0}(f)$ are obtained exactly the same way as we showed Lemma 5.7 Item 2.

Let $\mathbf{T}_{\geq 0}$ be a thickening of $W_{\geq 0}^{+,i_0}(f)$ into a coordinated box $W_{\geq 0}^{+,i_0}(f) \times [-1, 1]^{d-i_0}$ that extends the box $\mathbf{T}_{[0,3]} = \mathbf{A}_{[0,3]} \times [-1, 1]^{d-i_0}$. By Lemma 5.9, for large k , $W^{+,i_0}(\xi_k) \cap \mathbf{T}_{\geq 0}$ is the graph of a C^r -map $G_k: \mathbf{A}_{\geq 0} \rightarrow [-1, 1]^{d-i_0}$, where

$$G_k \xrightarrow{C^r} 0,$$

in particular $W^{+,i_0}(\xi_k) \cap \mathbf{T}_{\geq 0}$ is an i_0 -disk in $W^{+,i_0}(\xi_k)$ and its boundary is $\mathbf{A}_{\{0\},\xi_k}$. By definition it is $W_{>0}^{+,i_0}(\xi_k)$. Thus $W_{<0}^{+,i_0}(\xi_k) = W^{+,i_0}(\xi_k) \setminus W_{\geq 0}^{+,i_0}(\xi_k)$ does not intersect $\mathbf{T}_{\geq 0}$, and in particular $\mathbf{T}_{[0,4/3]}$.

On the other hand, the manifold $\xi_k[W_{\geq 1/2}^{+,i_0}(\xi_k)]$ converges uniformly to $f(\mathbf{A}_{\geq 1/2}) = \mathbf{A}_{\geq 3/2}$, for the C^r -topology, which concludes the proof of the second item.

Finally, there is some $n_m \in \mathbb{N}$ such that $f^{n_m} [W^{+,i_0}(f)]$ is in the interior of $W_{\geq 0}^{+,i_0}(f)$. Then, for large k , $\xi_k^{n_m} [W^{+,i_0}(\xi_k)]$ is in the interior of the local strong stable manifold $W_{\geq 0}^{+,i_0}(\xi_k)$. Hence, for all $x \in W_{< 0}^{+,i_0}(\xi_k)$, the set of integers $n \in \mathbb{N}$ such that $\xi^n(x) \notin W_{\geq 0}^{+,i_0}(\xi_k)$ is a nonempty interval of the form $[0, n_{x,k}] \cap \mathbb{N}$, where $n_{x,k} < n_m$. One has necessarily $\xi_k^{n_{x,k}}(x) \in \mathcal{D}_{-1,\xi_k}$, and $\xi_k^n(x) \in W_{< 0}^{+,i_0}(\xi_k)$, for all $0 \leq n \leq n_{x,k}$. This ends the proof of the third item. \square

The following lemma provides a way to perturb \tilde{g}_k^* into $f_k^* = \chi_k \circ \tilde{g}_k^*$ so that the second iterate sends the fundamental domain \mathcal{D}_{-1,h_k^*} of $W^{ss,i_0}(h_k^*)$ inside $W_{\geq 1/2}^{+,i_0}(\tilde{g}_k^*)$, while leaving the strong manifolds of higher dimension locally unaffected. By doing so, we will force $W_{< 0}^{+,i_0}(h_k^*)$ into $W^{+,i_0}(\tilde{g}_k^*)$.

For all $0 < \alpha < 1$, write

$${}^\alpha \mathbf{T}_{[a,b]} = \mathbf{A}_{[a,b]} \times [-\alpha, \alpha]^{d-i_0} \subset \mathbf{T}_{[a,b]}.$$

Lemma 5.14. *There is a sequence of diffeomorphisms of M*

$$\chi_k \xrightarrow{C^r} \text{Id}_M$$

such that, for large $k \in \mathbb{N}$, it holds

- $\chi_k = \text{Id}$ outside ${}^{1/2} \mathbf{T}_{[0,4/3]}$,
- $\chi_k(\mathbf{T}^i) = \mathbf{T}^i$, for all $i \in I^*$,
- $f_k^{*2}(\mathcal{D}_{-1,h_k^*}) \subset W_{\geq 1/2}^{+,i_0}(\tilde{g}_k^*)$,

where $f_k^* = \chi_k \circ \tilde{g}_k^*$.

The proof of Lemma 5.14 is postponed until Section 5.5. We are now ready for the proof of Proposition 5.11.

Proof of Proposition 5.11. Let χ_k and f_k^* be sequences given by Lemma 5.14. We have clearly $f_k^* \xrightarrow{C^r} f$. As $\chi_k = \chi_k^{-1} = \text{Id}$ outside ${}^{1/2} \mathbf{T}_{[0,4/3]} \subset \mathbf{T}$, and $\tilde{g}_k^{*-1} [{}^{1/2} \mathbf{T}_{[0,4/3]}] \subset \mathbf{T}$, for large k it holds:

$$f_k^{*\pm 1} = \tilde{g}_k^{*\pm 1} \quad \text{outside } \mathbf{T}.$$

By Lemma 5.13, there is $n_m \in \mathbb{N}$ such that for large k it holds: for all $x \in W_{< 0}^{+,i_0}(h_k^*)$, there is an integer $n_{x,k} \leq n_m$ such that $h_k^{*n_{x,k}}(x) \in \mathcal{D}_{-1,h_k^*}$ and $h_k^{*\ell}(x) \in W_{< 0}^{+,i_0}(h_k^*)$, for all $0 \leq \ell \leq n_{x,k}$.

By Item 3 of Lemma 5.7, $W_{< 0}^{+,i_0}(h_k^*) \cap \tilde{U}_P = \emptyset$, thus such $h_k^{*n_x}(x)$ is equal to $\tilde{g}_k^{*n_x}(x)$, and finally by Lemma 5.13 Item 2 applied to $\xi_k = \tilde{g}_k^*$, and by construction of f_k^* , it is equal to $f_k^{*n_x}(x)$. Therefore $f_k^{*n_x+2}(x) \in W_{\geq 1/2}^{+,i_0}(\tilde{g}_k^*)$.

By Lemma 5.13 Item 2, for large k , $\tilde{g}_k^* [W_{\geq 1/2}^{+,i_0}(\tilde{g}_k^*)]$ does not intersect $\mathbf{T}_{[0,4/3]}$, hence the positive iterates of f_k^* and \tilde{g}_k^* coincide on the \tilde{g}_k^* -invariant set $W_{\geq 1/2}^{+,i_0}(\tilde{g}_k^*)$. As a consequence, for large k

- $f_k^{*n_m+2} [W_{< 0}^{+,i_0}(h_k^*)]$ is a subset of $W_{\geq 1/2}^{+,i_0}(\tilde{g}_k^*)$,
- the preimage $\hat{W}^{+,i_0}(f_k^*) = f_k^{*-n_m-2} [W_{\geq 1/2}^{+,i_0}(\tilde{g}_k^*)]$ is a local i_0 -strong stable manifold for f_k^* that contains $W_{< 0}^{+,i_0}(h_k^*)$.

The sequence $\hat{W}^{+,i_0}(f_k^*)$ converges to the local i_0 -strong stable manifold $\hat{W}^{+,i_0}(f) = f^{-n_m-2} [W_{\geq 1/2}^{+,i_0}(f)]$, and the sequence of boundaries $\mathbb{S}_k = \partial W^{+,i_0}(h_k^*)$ is a sequence of smooth spheres in $\hat{W}^{+,i_0}(f_k^*)$ that converges to the boundary $\mathbb{S} = \partial W^{+,i_0}(f)$.

By Lemma 5.4, for large k , \mathbb{S}_k delimits a local i_0 -strong stable manifold $W^{+i_0}(f_k^*) \subset \hat{W}^{+i_0}(f_k^*)$ in $W^{ss,i_0}(f_k^*)$, and $W^{+i_0}(f_k^*) \rightarrow W^{+,i_0}(f)$ for the C^r topology.

Claim 4. *We have $W_{<0}^{+i_0}(f_k^*) = W_{<0}^{+,i_0}(h_k^*)$, for large k .*

Proof. We have just seen that $W_{<0}^{+,i_0}(h_k^*)$ is inside $W^{ss,i_0}(f_k^*)$. By Remark 5.8, it is an i_0 -dimensional manifold delimited by the two spheres $\mathbf{A}_{\{0\},h_k^*} = W^{+,i_0}(h_k^*) \cap \mathbf{T}_{\{0\}}$ and \mathbb{S}_k . Thus, either it is on the "good side" of \mathbb{S}_k in $W^{ss,i_0}(f_k^*)$, that is, in the disk $W^{+i_0}(f_k^*)$ delimited by \mathbb{S}_k , or on the "wrong side".

By convergence of $W_{<0}^{+,i_0}(h_k^*)$ to $W_{<0}^{+,i_0}(f)$, and of $W^{+i_0}(f_k^*)$ to $W^{+i_0}(f)$, for large k it is on the good side. In particular, the i_0 -sphere $\mathbf{A}_{\{0\},h_k^*} \subset \mathbf{T}_{\{0\}}$ is in $W^{+i_0}(f_k^*)$. Note that, by Lemma 5.7, $\mathbf{A}_{\{0\},f_k^*} = W^{+i_0}(f_k^*) \cap \mathbf{T}_{\{0\}}$ is reduced to an i_0 -sphere for large k , hence it has to coincide with $\mathbf{A}_{\{0\},h_k^*}$.

The manifold $W_{<0}^{+,i_0}(h_k^*) \subset W^{ss,i_0}(f_k^*)$ is therefore delimited by $\mathbf{A}_{\{0\},f_k^*}$ and \mathbb{S}_k . By Remark 5.8, we finally get $W_{<0}^{+,i_0}(h_k^*) = W_{<0}^{+,i_0}(f_k^*)$. \square

We now build the sequence $W^+(f_k^*)$. For this, we need to distinguish two cases:

- *The $I^* = \emptyset$ case:* by the dimension assumption pointed out in Footnote 8, we have $W^+(h_k^*) = W^{+,i_0}(h_k^*)$ and $W^+(f) = W^{+,i_0}(f)$. We put

$$W^+(f_k^*) = W^{+i_0}(f_k^*).$$

- *The $I^* \neq \emptyset$ case:* by the same dimension assumption, we have $W^+(\tilde{g}_k^*) = W^{+,i_m}(\tilde{g}_k^*)$, where i_m is the maximal element of I . By Eq. (30), $\mathbf{T}^{i_m} = \mathbf{T} \cap W^+(\tilde{g}_k^*)$. We have $\chi_k = \text{Id}$ on $W^+(\tilde{g}_k^*) \setminus \mathbf{T}^{i_m}$ and $\chi_k(\mathbf{T}^{i_m}) = \mathbf{T}^{i_m}$, that is, $\chi_k[W^+(\tilde{g}_k^*)] = W^+(\tilde{g}_k^*)$. This, with the facts that χ_k tends to Id and $W^+(\tilde{g}_k^*)$ is strictly invariant by \tilde{g}_k^* , implies that, for large k , $W^+(\tilde{g}_k^*)$ is a local strong stable manifold also for the diffeomorphism f_k^* . We put

$$W^+(f_k^*) = W^+(\tilde{g}_k^*).$$

Claim 5. *For large $k \in \mathbb{N}$:*

$$W^{+,i}(f_k^*) = W^{+,i}(\tilde{g}_k^*), \quad \text{for all } i \in I^*, \quad (32)$$

$$W^{+,i_0}(f_k^*) = W^{+,i_0}(f_k^*). \quad (33)$$

Proof of the claim: As previously, for any $i \in I^*$, $\chi_k(\mathbf{T}^i) = \mathbf{T}^i$ implies that that for large k , the local i -strong stable manifold $W^{+,i}(\tilde{g}_k^*)$ for \tilde{g}_k^* is also a local i -strong stable manifold for f_k^* , hence

$$W^{+,i}(\tilde{g}_k^*) \subset W^{+,i}(f_k^*). \quad (34)$$

On the other hand, $\partial W^{+i_0}(f_k^*) = \partial W^{+,i_0}(h_k^*)$ is a subset of $\partial W^+(h_k^*) \setminus \tilde{U}_P$, hence of $W^+(f_k^*) = W^+(\tilde{g}_k^*)$. Lemma 5.5 implies then that

$$W^{+i_0}(f_k^*) \subset W^{+,i_0}(f_k^*). \quad (35)$$

As $W^+(f)$ is regular, by Remark 5.3, $W^+(f_k^*) = W^+(\tilde{g}_k^*)$ is also regular for both f_k^* and \tilde{g}_k^* , for large k . Hence, for large k , the local i -strong stable manifolds $W^{+,i}(\tilde{g}_k^*)$, $W^{+,i}(f_k^*) \subset W^+(f_k^*)$ are therefore two C^1 i -disks transverse to the boundary $\partial W^+(f_k^*)$ and their boundaries $\partial W^{+,i}(\tilde{g}_k^*)$ and $\partial W^{+,i}(f_k^*)$ lie inside $\partial W^+(f_k^*)$. Under those conditions, Eq. (34) implies Eq. (32).

For the exact same reason, Eq. (35) implies Eq. (33). \square

In both cases, $W^+(f_k^*)$ is a sequence of local strong stable manifolds that converges to $W^+(f)$ for the C^r -topology and $W^{+,i}(f_k^*) = W^{+,i}(\tilde{g}_k^*)$, for all $i \in I^*$. Finally, Claim 4 gives:

$$W_{<0}^{+,i_0}(f_k^*) = W_{<0}^{+,i_0}(h_k^*).$$

This ends the proof of Proposition 5.11. \square

5.5. Proof of Lemma 5.14.

Idea of the proof: we will compose \tilde{g}_k^* by a fibrewise translation $\hat{\chi}_k$ of $\hat{\mathbf{T}} = \mathbf{A} \times \mathbb{R}^{d-i_0}$, that is, a transformation that restricts into a translation of each fibre $\{\alpha\} \times \mathbb{R}^{d-i_0}$ by a vector $v_\alpha \in \mathbb{R}^{d-i_0}$, such that the sequence of diffeomorphisms $\hat{\chi}_k$ converges to the identity map, and so that $(\hat{\chi}_k \circ \tilde{g}_k^*)^2(\mathcal{D}_{-1, h_k^*})$ ¹⁵ is a subset of $W_{\geq 1/2}^{+,i_0}(\tilde{g}_k^*)$. Then by a partition of unity one gets the sequence of diffeomorphisms χ_k of M that we are looking for. \square

Recall that $f(\mathbf{T}_{[0,1)}) = \mathbf{T}_{[1,2)}$. Hence, there exists $0 < a < 1$ such that

$$f(\mathbf{T}_{[0,a)}) \subset \mathbf{T}_{[1,4/3)} \quad (36)$$

For simplicity, rename the objects given by Lemma 5.7:

$$G_k = F_{\tilde{g}_k^*}^{i_0}, \quad H_k = F_{h_k^*}^{i_0}.$$

The C^r maps $G_k, H_k: \mathbf{A} \rightarrow [-1, 1]^{d-i_0}$ tend to 0 for the C^r topology, and their graphs are $W^{+,i_0}(\tilde{g}_k^*) \cap \mathbf{T}$ and $W^{+,i_0}(h_k^*) \cap \mathbf{T}$, respectively. By Eq. (30), if $i \in I^*$, then the maps G_k, H_k take value in $[-1, 1]^{i-i_0} \times \{0\}^{d-i}$.

By a partition of unity, we build a sequence of C^r -maps $\hat{\phi}_k: \mathbf{A} \rightarrow \mathbb{R}^{d-i_0}$ that converges to 0, and such that for large k ,

- $\phi_k = 0$ outside $\mathbf{A}_{[0,4/3)}$,
- $\phi_k = G_k - H_k$ on $\mathbf{A}_{[a,5/4)}$, where a is such that Eq. (36) holds.
- if $i \in I^*$, then ϕ_k takes value in $[-1, 1]^{i-i_0} \times \{0\}^{d-i}$.

Write $\hat{\mathbf{T}} = \mathbf{A} \times \mathbb{R}^{d-i_0}$. Let $\hat{\Phi}_k \in \text{Diff}^r(\hat{\mathbf{T}})$ be the diffeomorphism such that the restriction of $\hat{\Phi}_k$ to each fibre $\{\alpha\} \times \mathbb{R}^{d-i_0}$ is a translation by the vector $\phi_k(\alpha) \in \mathbb{R}^{d-i_0}$. This is a sequence of diffeomorphisms that converges C^r -uniformly to $\text{Id}_{\hat{\mathbf{T}}}$, and

$$\hat{\Phi}_k(\hat{\mathbf{T}}^i) = \hat{\mathbf{T}}^i, \quad \text{for all } i \in I^*, \quad (37)$$

where $\hat{\mathbf{T}}^i = \mathbf{A} \times \mathbb{R}^{i-i_0} \times \{0\}^{d-i}$.

Let $U_k \subset \mathbf{T}$ be the set of points x such that $\tilde{g}_k^*(x)$ and $\hat{\Phi}_k \circ \tilde{g}_k^*(x)$ are in \mathbf{T} . We have then a well-defined diffeomorphism

$$\hat{g}_k: \begin{cases} U_k & \rightarrow V_k \subset \mathbf{T} \\ x & \mapsto \hat{\Phi}_k \circ \tilde{g}_k^*(x) \end{cases}.$$

The diffeomorphisms f and f^2 send the fundamental domain $\mathcal{D}_{-1,f}$ in the interior of \mathbf{T} . Hence, for large k , the diffeomorphisms \tilde{g}_k^* and \tilde{g}_k^{*2} send the fundamental

¹⁵This is an abuse of notation since $\hat{\chi}_k$ and \tilde{g}_k^* are not diffeomorphisms of the same space. However, it will make sense, as each restricts to a diffeomorphism from some open set of \mathbf{T} to another, and as for large k , \mathcal{D}_{-1, h_k^*} will indeed be in the domain of definition of the composition $(\hat{\chi}_k \circ \tilde{g}_k^*)^2$ of those restricted diffeomorphisms.

domain \mathcal{D}_{-1, h_k^*} in the interior of \mathbf{T} . As the sequence $\hat{\Phi}_k$ tends to identity, for large k the set \mathcal{D}_{-1, h_k^*} is in the domain of definition of \hat{g}_k and the composition \hat{g}_k^2 .

By Remark 5.12, \mathcal{D}_{-1, h_k^*} converges to $\mathcal{D}_{-1, f} = \mathbf{A}_{[-1, 0]} \subset \mathbf{T}$, which does not intersect the closed set \tilde{U}_P . With Eq. (26), we get $\tilde{g}_k^* = h_k^*$ on \mathcal{D}_{-1, h_k^*} , for large k . Therefore $\mathcal{D}_{-1, h_k^*} \sqcup \tilde{g}_k^*(\mathcal{D}_{-1, h_k^*}) = \mathcal{D}_{-1, h_k^*} \sqcup \mathcal{D}_{0, h_k^*}$ is a sequence of manifolds that converges to $A_{[-1, 1]}$, for the C^r topology. Take the image by $\hat{\Phi}_k$ and compose by \hat{g}_k , and we have that the sequence $\hat{g}_k(\mathcal{D}_{-1, h_k^*}) \sqcup \hat{g}_k^2(\mathcal{D}_{-1, h_k^*})$ converges to $A_{[0, 2]}$, for the C^r topology.

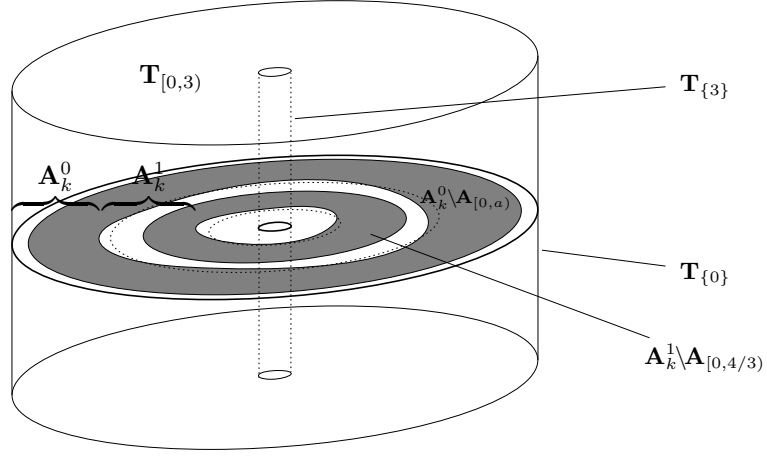


FIGURE 10. $\hat{g}_k(\mathcal{D}_{-1, h_k^*}) \sqcup \hat{g}_k^2(\mathcal{D}_{-1, h_k^*})$ is the graph of a C^r -map

$$\hat{G}_k: \mathbf{A}_k^0 \sqcup \mathbf{A}_k^1 \rightarrow [-1, 1]^{d-i_0}.$$

That map coincides with G_k on the gray area.

Let $\pi: \mathbf{A} \times \mathbb{R}^{d-i_0} \rightarrow \mathbf{A}$ be the canonical projection. Denote by \mathbf{A}_k^0 and \mathbf{A}_k^1 the images by π of the sets $\hat{g}_k(\mathcal{D}_{-1, h_k^*})$ and $\hat{g}_k^2(\mathcal{D}_{-1, h_k^*})$, respectively. For large k , those are disjoint sets and $\hat{g}_k(\mathcal{D}_{-1, h_k^*}) \sqcup \hat{g}_k^2(\mathcal{D}_{-1, h_k^*})$ is the graph of a map

$$\hat{G}_k: \mathbf{A}_k^0 \sqcup \mathbf{A}_k^1 \rightarrow [-1, 1]^{d-i_0},$$

with \hat{G}_k tending to 0, as $k \rightarrow \infty$.

For large k $\tilde{g}_k^*(\mathcal{D}_{-1, h_k^*}) = h_k^*(\mathcal{D}_{-1, h_k^*}) = \mathcal{D}_{0, h_k^*}$, and by Eq. (30), is in \mathbf{T}^i , for all $i \in I^*$. As $\mathcal{D}_{0, h_k^*} \rightarrow \mathbf{A}_{[0, 1]}$ and $\hat{\Phi}_k \rightarrow \text{Id}$, Eq. (37) gives

$$\hat{g}_k(\mathcal{D}_{-1, h_k^*}) \in \mathbf{T}^i$$

for large k and all $i \in I^*$. We repeat the same arguments to prove that $\hat{g}_k^2(\mathcal{D}_{-1, h_k^*})$ is in \mathbf{T}^i , for large k and for all $i \in I^*$. In other words, if $i \in I^*$, then \hat{G}_k takes value in $[-1, 1]^{i-i_0} \times \{0\}^{d-i}$.

By construction of $\hat{\Phi}_k$, for large k , one has

$$\hat{G}_k = G_k \quad \text{on } \mathbf{A}_k^0 \cap \mathbf{A}_{[a, 5/4]} = \mathbf{A}_k^0 \setminus \mathbf{A}_{[0, a]}. \quad (38)$$

In other words, $\hat{g}_k(\mathcal{D}_{-1, h_k^*}) \setminus \mathbf{T}_{[0, a]} \subset W^{+, i_0}(\tilde{g}_k^*)$. This implies that

$$\begin{aligned} \tilde{g}_k^*[\hat{g}_k(\mathcal{D}_{-1, h_k^*}) \setminus \mathbf{T}_{[0, a]}] &\subset W^{+, i_0}(\tilde{g}_k^*) \\ \tilde{g}_k^* \circ \hat{g}_k(\mathcal{D}_{-1, h_k^*}) \setminus \mathbf{T}_{[0, 4/3]} &\subset W^{+, i_0}(\tilde{g}_k^*) \quad \text{for large } k. \end{aligned}$$

This last line come from f sending $\mathbf{T}_{[0, a]}$ in the interior of $\mathbf{T}_{[0, 4/3]}$. As $\hat{\Psi}_k = \text{Id}$ outside $\mathbf{T}_{[0, 4/3]}$, we get

$$\hat{g}_k^2(\mathcal{D}_{-1, h_k^*}) \setminus \mathbf{T}_{[0, 4/3]} \subset W^{+, i_0}(\tilde{g}_k^*) \quad \text{for large } k,$$

that is,

$$\hat{G}_k = G_k \quad \text{on } \mathbf{A}_k^1 \setminus \mathbf{A}_{[0, 4/3]}.$$
 (39)

We want now to force $\hat{g}_k^2(\mathcal{D}_{-1, h_k^*})$ to lie entirely in $W^{+, i_0}(\tilde{g}_k^*)$. For this, we need to compose \hat{g}_k by another diffeomorphism.

By a partition of unity, one builds a sequence of maps $\psi_k : \mathbf{A} \rightarrow \mathbb{R}^{d-i_0}$ such that

- $\psi_k = 0$ outside $(\mathbf{A}_k^0 \sqcup \mathbf{A}_k^1) \setminus \mathbf{A}_{[0, a]}$,
- $\psi_k = G_k - \hat{G}_k$ on $(\mathbf{A}_k^0 \sqcup \mathbf{A}_k^1) \setminus \mathbf{A}_{[0, a]}$.
- if $i \in I^*$, then ϕ_k takes value in $[-1, 1]^{i-i_0} \times \{0\}^{d-i}$.

This same way as we built $\hat{\Phi}_k$ from ϕ_k , we build a sequence of diffeomorphisms $\hat{\Psi}_k \in \text{Diff}^r(\hat{\mathbf{T}})$ from the sequence ψ_k .

Let $\hat{\chi}_k = \hat{\Psi}_k \circ \hat{\Phi}_k$. That diffeomorphism leaves invariant the sets $\hat{\mathbf{T}}^i = \mathbf{A} \times \mathbb{R}^{i-i_0} \times \{0\}^{d-i}$, for all $i \in I^*$. Define

$$\begin{aligned} \hat{f}_k &= \hat{\chi}_k \circ \tilde{g}_k^* \\ &= \hat{\Psi}_k \circ \hat{g}_k. \end{aligned}$$

By its definition and by Eq. (38), $\psi_k = 0$ on \mathbf{A}_k^0 . Hence $\hat{\Psi}_k = \text{Id}$ on $\pi^{-1}(\mathbf{A}_k^0)$, and in particular on $\hat{g}_k(\mathcal{D}_{-1, h_k^*})$, by definition of \mathbf{A}_k^0 . Therefore,

$$\hat{f}_k(\mathcal{D}_{-1, h_k^*}) = \hat{g}_k(\mathcal{D}_{-1, h_k^*}).$$
 (40)

By construction, $\hat{\Psi}_k[\hat{g}_k^2(\mathcal{D}_{-1, h_k^*})] \subset W^{+, i_0}(\tilde{g}_k^*)$. Hence

$$\hat{f}_k^2(\mathcal{D}_{-1, h_k^*}) \subset W^{+, i_0}(\tilde{g}_k^*).$$

Note that $\hat{\chi}_k = \text{Id}$ outside $\mathbf{A}_{[0, 4/3]} \times \mathbb{R}^{d-i_0}$ and that the sequence of diffeomorphisms $\hat{\chi}_k$ C^r -converges to Id .

By considering a suitable partition of unity $1_{\mathbf{T}} = \eta + \theta$ on \mathbf{T} , one builds a sequence

$$\chi_k : \begin{cases} \mathbf{T} & \rightarrow \mathbf{T} \\ x & \mapsto [\eta(x), \theta(x)]\text{-barycenter of } x \text{ and } \hat{\chi}_k(x) \end{cases}$$

of diffeomorphisms¹⁶ of T such that

- the sequence χ_k tends to Id , for the C^r -topology
- χ_k coincides with $\hat{\chi}_k$ on $^{1/4}\mathbf{T} = ^{1/4}\mathbf{T}_{[-2, 3]}$,
- it coincides with Id outside $^{1/2}\mathbf{T}_{[0, 4/3]}$,
- it leaves invariant the sets \mathbf{T}^i , for all $i \in I^*$.

¹⁶these maps are diffeomorphisms for large k

Those diffeomorphisms naturally extend by Id to diffeomorphisms of M . For large k , we will have

$$f_k^{*2}(\mathcal{D}_{-1, h_k^*}) = \hat{f}_k^2(\mathcal{D}_{-1, h_k^*}) \subset W^{+, i_0}(\tilde{g}_k^*),$$

where $f_k^* = \chi_k \circ \tilde{g}_k^*$. As f_k^* tends to f and $f^2(\mathcal{D}_{-1, f})$ is included in the interior of $\mathbf{T}_{[1/2, 3]}$, we finally get that, for large k ,

$$f_k^{*2}(\mathcal{D}_{-1, h_k^*}) \subset W_{\geq 1/2}^{+, i_0}(\tilde{g}_k^*).$$

This ends the proof of Lemma 5.14.

6. Examples of applications. We give in this section a few consequences of Theorem 1. We prove Theorem 2 which asserts that one can perturb a saddle of large period in order to turn its eigenvalues real, while preserving its invariant manifolds semi-locally.

Wen [21] showed that the absence of a dominated splitting of index i on limit sets of periodic orbits of same index allows to create homoclinic tangencies by small perturbations. To prove it, he showed that one obtains new saddles with small stable/unstable angles by C^1 -perturbations, but a priori without knowledge of the homoclinic class to which the new saddles belong. Here we prove Theorem 3, which gives a dichotomy between small angles and dominated splittings within homoclinic classes. Through that result, we find another way to the main theorem of [12], and the more result Theorem 8.

6.1. Dichotomy between small angles and dominated splittings. We recall that a saddle point P is *homoclinically related* to another Q if and only if the unstable manifold of each meets somewhere transversally the stable manifold of the other. The *homoclinic class* of a saddle P is the closure of the saddles that are homoclinically related to P . The *eigenvalues* of a saddle P are the eigenvalues of the derivative of the first return map at P .

Definition 6.1. Let f be a diffeomorphism of M and K be a compact invariant set. A splitting $TM|_K = E \oplus F$ of the tangent bundle above K into two Df -invariant vector subbundles of constant dimensions is a *dominated splitting* if there exists an integer $N \in \mathbb{N}$ such that, for any point $x \in K$, for any unit vectors $u \in E_x$ and $v \in F_x$ in the fibers of E and F above x , respectively, one has:

$$\|Df^N(u)\| < 1/2 \cdot \|Df^N(v)\|.$$

In that case, we say the splitting is *N -dominated*. The smaller the number N , the stronger the domination.

Theorem 3 is a generic consequence of the following proposition (see section 6.2).

Proposition 6.2. *Let f be a diffeomorphism of M and $\epsilon > 0$ be a real number. There exists an integer $N \in \mathbb{N}$ such that for any*

- *saddle periodic point P of period $p \geq N$ such that the corresponding stable/unstable splitting is not N -dominated,,*
- *neighbourhood U_P of the orbit Orb_P of P ,*
- *number $\varrho > 0$ and families of compact sets*

$$K_i \subset W_\varrho^{i, ss}(P, f) \setminus \{\text{Orb}_P\}, \quad \text{for all } i \in I$$

$$L_j \subset W_\varrho^{j, uu}(P, f) \setminus \{\text{Orb}_P\}, \quad \text{for all } j \in J,$$

where I and J are the sets of the strong stable and unstable dimensions,

there is a C^1 - ϵ -perturbation g of f such that

- $f^{\pm 1} = g^{\pm 1}$ throughout Orb_P and outside U_P ,
- the minimum stable/unstable angle for g of some iterate $g^k(P)$ is less than ϵ ,
- the eigenvalues of the first return map $Dg^p(P)$ are real, pairwise distinct and each of them has modulus less than ϵ or greater than ϵ^{-1} ,
- for all $(i, j) \in I \times J$, we have

$$K_i \subset W_\rho^{ss,i}(P, g) \text{ and } L_j \subset W_\rho^{uu,j}(P, g).$$

The proof of Proposition 6.2 is postponed until section 6.4.

Theorem 4.3 in [12] states that if the stable/unstable dominated splitting along a saddle is weak enough, then one may find a C^1 -perturbation that creates a homoclinic tangency related to that saddle, while preserving a finite number of points in the strong stable/unstable manifolds of that saddle. During the process, the derivative of that saddle may have been modified. The technique introduced in this paper allows to create a tangency while preserving the derivative.

Indeed, under the hypothesis that there is a weak stable/unstable dominated splitting for some saddle P , one creates a small stable/unstable angle and pairwise distinct real eigenvalues of moduli less than $1/2$ or greater than 2 , after changing the derivative by application of Theorem 1 with some path \mathcal{A}_t of derivatives (see the proof of Proposition 6.2 in section 6.4). Applying the techniques of the proof of [12, Proposition 5.1], one finds another small C^1 -perturbation on an arbitrarily small neighbourhood of P that creates a tangency between its stable and unstable manifolds, without modifying the dynamics on a (smaller) neighbourhood of the orbit of P . That perturbation can be done preserving any preliminarily fixed finite set inside the strong stable or unstable manifolds of P . Then one may come back to the initial derivative applying again Theorem 1 with the backwards path \mathcal{A}_{1-t} . This sums up into:

Theorem 8. *Let f be a diffeomorphism of M and $\epsilon > 0$ be a real number. There exists an integer $N \in \mathbb{N}$ such that if P is a saddle point of period greater than N and its corresponding stable/unstable splitting is not N -dominated, if U_P is a neighbourhood of the orbit of Orb_P and $\Gamma \subset M$ is a finite set, then*

- there is a C^1 ϵ -perturbation g of f such that $f^{\pm 1} = g^{\pm 1}$ throughout Orb_P and outside U_P , and such that the saddle P admits a homoclinic tangency inside U for g .
- the derivatives Df and Dg coincide along the orbit of P ,
- for each $x \in \Gamma$, if x is in the strong stable (resp. unstable) manifold of dimension i of Orb_P for f , then x is also the strong stable (resp. unstable) manifold of dimension i of Orb_P for g .

6.2. Proof of Theorem 3. Fix $p \in \mathbb{N} \setminus 0$ and $\epsilon > 0$. Let $\mathcal{S}_{p,\epsilon}$ be the set of diffeomorphisms f such that for any periodic saddle point P of period p , if the homoclinic class of P has no dominated splitting of same index as P , then there is a saddle Q in the homoclinic class of P with same index as P that has a minimum stable/unstable angle less than ϵ and pairwise distinct real eigenvalues of moduli less than ϵ or greater than ϵ^{-1} .

Lemma 6.3. *For all $p \in \mathbb{N} \setminus 0$ and $\epsilon > 0$, the set $\mathcal{S}_{p,\epsilon}$ contains an open and dense set in $\text{Diff}^1(M)$.*

Proof of Theorem 3: Take the residual set $\mathcal{R} = \bigcap_{p,n \in \mathbb{N}} \mathcal{S}_{p, \frac{1}{n+1}}$. □

Proof of Lemma 6.3: By the Kupka-Smale Theorem, there is a residual set \mathcal{R} of diffeomorphism whose periodic points are all hyperbolic, and consequently that have a finite number of periodic points of period p . Let $f \in \mathcal{R}$. Let P_1, \dots, P_l be the saddle points of period p for f . For all g in some neighborhood \mathcal{U}_f of f , the saddle points of period p for g are the continuations $P_1(g), \dots, P_l(g)$ of the saddles P_1, \dots, P_l .

Claim 6. *For all $1 \leq k \leq l$, there is an open and dense subset \mathcal{V}_k of \mathcal{U}_f such that, for all $g \in \mathcal{V}_k$, the homoclinic class of the continuation of $P_k(g)$ either admits a dominated splitting of same index as P_k , or contains a saddle of same index as P_k that has a minimum stable/unstable angle less than ϵ and pairwise distinct real eigenvalues of moduli less than ϵ or greater than ϵ^{-1} .*

Proof. Let $\Delta \subset \mathcal{U}_f$ be the set of diffeomorphisms such that the homoclinic class of the continuation $P_k(g)$ does not admit a dominated splitting of same index as P_k , and let $\Delta_\epsilon \subset \mathcal{U}_f$ be the open set of diffeomorphisms such that that homoclinic class contains a saddle of same index as P_k that has a stable/unstable angle strictly less than ϵ and pairwise distinct real eigenvalues of moduli less than ϵ or greater than ϵ^{-1} . Let $f \in \Delta$.

Obviously, the homoclinic class of $P_k(f)$ cannot be reduced to $P_k(f)$. For any $N \in \mathbb{N}$, there is a periodic point Q_N in that homoclinic class that has same index as P_k , that has period greater than N , and such that the stable/unstable splitting above the orbit of Q_N is not N -dominated. By Proposition 6.2, there is an arbitrarily small perturbation of g that turns the minimum stable/unstable angle of some iterate of some Q_N to be strictly less than ϵ , and that turns the eigenvalues of that Q_N to be real, with pairwise distinct with moduli less than ϵ or greater than ϵ^{-1} , while preserving the dynamics and preserving any previously fixed pair of compact sets K^u, K^s (that do not intersect Orb_{Q_N}) in the stable and unstable manifolds of Q_N . In particular, one can do that perturbation preserving the homoclinic relation between Q_N and $P_k(g)$: one finds an arbitrarily small perturbation of $g \in \Delta$ in Δ_ϵ .

Thus $\Delta^c \cup \text{cl}(\Delta_\epsilon) = \mathcal{U}_f$, where $\Delta^c = \mathcal{U}_f \setminus \Delta$. As a consequence, $\Delta^c \setminus \text{cl}(\Delta_\epsilon)$ is open and

$$\mathcal{V}_k = [\Delta^c \setminus \text{cl}(\Delta_\epsilon)] \cup \Delta_\epsilon$$

satisfies all the conclusions of the claim. \square

The intersection $\mathcal{V}_f = \bigcap_{1 \leq k \leq l} \mathcal{V}_k$ is an open and dense subset of \mathcal{U}_f and is included in $\mathcal{S}_{p,\epsilon}$. The union of such \mathcal{V}_f is an open and dense subset of $\text{Diff}^1(M)$ contained in $\mathcal{S}_{p,\epsilon}$. This ends the proof of the Lemma. \square

6.3. Linear cocycles and dominated splittings. Here we recall notations and tools from [6] and [8]. Let $\pi: E \rightarrow \mathcal{B}$ be a vector bundle of dimension d above a compact base \mathcal{B} such that, for any point $x \in \mathcal{B}$, the fiber E_x above x is a d -dimensional vector space endowed with a Euclidean metric $\|\cdot\|$. One identifies each $x \in \mathcal{B}$ with the zero of the corresponding fiber E_x . A *linear cocycle* \mathcal{A} on E is a bijection of E that sends each fiber E_x on a fiber by a linear isomorphism. We say that \mathcal{A} is *bounded* by $C > 1$, if for any unit vector $v \in E$, we have $C^{-1} < \|\mathcal{A}(v)\| < C$.

In the following, a *subbundle* $F \subset E$, is a vector bundle with same base \mathcal{B} as E such that, for all $x, y \in \mathcal{B}$, the fibers F_x and F_y have same dimension. One defines then the *quotient vector bundle* E/F as the bundle of base \mathcal{B} such that the fiber

$(E/F)_x$ above x is the set $\{e_x + F_x, e_x \in E_x\}$ of affine subspaces of E_x directed by F_x . The bundle F is endowed with the restricted metric $\|\cdot\|_F$ and the norm of any element $e_x + F_x$ of E/F is defined by the minimum of the norms of the vectors of $e_x + F_x$. If G is another subbundle of E , then one defines the vector subbundle $G/F \subset E/F$ as the image of G by the canonical projection $E \rightarrow E/F$.

If F is a subbundle invariant for the linear cocycle \mathcal{A} (that is, $\mathcal{A}(F) = F$), then \mathcal{A} induces canonically a *restricted cocycle* $\mathcal{A}|_F$, and a *quotient cocycle* $\mathcal{A}/_F$ defined on the quotient E/F by $\mathcal{A}/_F(e_x + F_x) = \mathcal{A}(e_x + F_x) = \mathcal{A}(e_x) + F_{\mathcal{A}(x)}$. If G is another invariant subbundle, then G/F is an invariant subbundle for $\mathcal{A}/_F$.

Remark 6.4. If \mathcal{A} is bounded by some constant $C > 1$, then so are the restriction $\mathcal{A}|_F$ and the quotient $\mathcal{A}/_F$.

We use the natural notions of transverse subbundles and direct sum of transverse subbundles. The following definition generalizes the definition given in the previous section for diffeomorphisms. Let \mathcal{A} be a linear cocycle on a bundle E , and let $E = F \oplus G$ a splitting into two subbundles invariant by \mathcal{A} . It is a *dominated splitting* if and only if there exists N such that, for any point $x \in \mathcal{B}$, for any unit vectors $u \in F_x$, $v \in G_x$ in the tangent fiber above x , we have

$$\|\mathcal{A}^N(u)\| < 1/2 \cdot \|\mathcal{A}^N(v)\|.$$

Given such N , one says that the splitting $F \oplus G$ is *N -dominated*. The strength of a dominated splitting is given by the minimum of such N . The bigger that minimum, the weaker the domination.

6.4. Isotopic perturbation results on cocycles. A few perturbation results on cocycles are proved in [8] and [12]. Here we want to show that these perturbations can actually be reached through isotopies of cocycles that satisfy good properties, namely properties that will put us under the assumptions of Theorem 1.

To any tuple (A_1, \dots, A_p) of matrices of $GL(d, \mathbb{R})$ one canonically associates the linear cocycle \mathcal{A} on the bundle $\mathcal{E} = \{1, \dots, p\} \times \mathbb{R}^d$ that sends the i -th fiber on the $(i+1)$ -th fiber by the linear map of matrix A_i , and that sends the p -th fiber on the first by A_p . We say that \mathcal{A} is a *saddle cocycle* if and only if all the moduli of the eigenvalues of the product $A_p \dots A_1$ are different from 1, and if there are some that are greater than 1 and others that are less than 1. The splitting $\mathcal{E} = E^s \oplus E^u$ into the stable bundle E^s and the unstable one E^u is called the *stable/unstable splitting*.

Notice that Theorem 2 is a straightforward consequence of Theorem 1 and the following proposition about getting real eigenvalues:

Proposition 6.5. *Let $\epsilon > 0$, $C > 1$ and $d \in \mathbb{N}$. There exists an integer $N \in \mathbb{N}$ such that, for any $p \geq N$ and any tuple (A_1, \dots, A_p) of matrices in $GL(d, \mathbb{R})$, all bounded by C (i.e. $\|A_i\|, \|A_i^{-1}\| < C$), it holds:*

there is a path $\{\mathcal{A}_t = (A_{1,t}, \dots, A_{p,t})\}_{t \in [0,1]}$ in $GL(d, \mathbb{R})^p$ such that

- $\mathcal{A}_0 = (A_1, \dots, A_p)$.
- *The radius of the path \mathcal{A}_t is less than ϵ , that is,*

$$\max_{\substack{1 \leq n \leq p \\ t \in [0,1]}} \{\|A_{n,t} - A_{n,0}\|, \|A_{n,t}^{-1} - A_{n,0}^{-1}\|\} < \epsilon.$$

- *For all $t \in [0, 1]$, the moduli of the eigenvalues of the product $B_t = A_{p,t} A_{p-1,t} \dots A_{1,t}$ (counted with multiplicity) coincide with the moduli of those of B_0 and the eigenvalues of B_1 are real.*

We state a second Proposition about reaching through an isotopy eigenvalues that all have moduli less than ϵ or more than ϵ^{-1} .

Proposition 6.6. *Let $\epsilon > 0$, $C > 1$ and $d \in \mathbb{N}$. There exists an integer $N \in \mathbb{N}$ such that, for any $p \geq N$ and any tuple (A_1, \dots, A_p) of matrices in $GL(d, \mathbb{R})$, all bounded by C , if the moduli of the eigenvalues of the product $\prod A_k$ are pairwise distinct, then it holds:*

there is a path $\{\mathcal{A}_t = (A_{1,t}, \dots, A_{p,t})\}_{t \in [0,1]}$ in $GL(d, \mathbb{R})^p$ such that

- $\mathcal{A}_0 = (A_1, \dots, A_p)$.
- *The radius of the path \mathcal{A}_t is less than ϵ ,*
- *For all $t \in [0, 1]$, the moduli of the eigenvalues of $B_t = A_{p,t} \dots A_{1,t}$ are pairwise distinct and different from 1 and the eigenvalues of B_1 have moduli less than ϵ or greater than ϵ^{-1} .*

The third one is about obtaining a small angle in the absence of dominated splitting:

Proposition 6.7. *Let $\epsilon > 0$, $C > 1$ and $d \in \mathbb{N}$. There exists an integer $N \in \mathbb{N}$ such that, for any $p \geq N$ and any tuple (A_1, \dots, A_p) of matrices in $GL(d, \mathbb{R})$, all bounded by C , it holds:*

- *if the linear cocycle associated to it is a saddle cocycle such that its stable/unstable splitting is not N -dominated,*
- *if the eigenvalues of the product $A_p \times \dots \times A_1$ are all real,*

there is a path $\{\mathcal{A}_t = (A_{1,t}, \dots, A_{p,t})\}_{t \in [0,1]}$ in $GL(d, \mathbb{R})^p$ such that

- $\mathcal{A}_0 = (A_1, \dots, A_p)$.
- *The radius of the path \mathcal{A}_t is less than ϵ ,*
- *For all $t \in [0, 1]$, the eigenvalues of $B_t = A_{p,t} \dots A_{1,t}$ (counted with multiplicity) are equal to those of B_0 .*
- *The stable/unstable splitting of the cocycle associated to \mathcal{A}_1 has a minimum angle less than ϵ .*

Proof of Proposition 6.2: Since it poses no difficulty, we only sketch it. One first applies Proposition 6.5 to obtain a path that joins the cocycle corresponding to the derivative $Df|_{\text{Orb}_P}$ along the orbit Orb_P of P to a cocycle such that its eigenvalues are all real. Then adding an arbitrarily small path, one may suppose that the moduli of these eigenvalues are pairwise distinct. With Proposition 6.6, we prolong that path to obtain eigenvalues that have moduli less than ϵ or greater than ϵ^{-1} . Remember that a weak dominated splitting remains a weak dominated splitting after perturbation, if it still exists. Hence, we can use Proposition 6.7 to get a small angle. This provides us a path of small radius that joins the initial derivative to a cocycle that has all wanted properties. One finally applies Theorem 1 to conclude the proof. \square

6.4.1. Proof of Proposition 6.5.

The dimension $d = 2$ case: First notice that, if the determinant of the product $A_p \dots A_1$ is negative, then the eigenvalues are already real and we are done.

If not, one finds a p -periodic sequence of isometries J_n of \mathbb{R}^2 , and a sequence of integers $C^{-1} \leq \lambda_n < C$, such that the matrix $\hat{A}_n = \lambda_n \cdot J_n A_n J_{n+1}^{-1}$ has determinant 1. Note that the product $\hat{A}_p \dots \hat{A}_1$ has real eigenvalues if and only if the product $A_p \dots A_1$ has real eigenvalues.

Assume we have a path $\hat{\mathcal{A}}_t = (\hat{A}_{1,t}, \dots, \hat{A}_{p,t})$ of diameter less than $\hat{\epsilon} = C^{-1}\epsilon$, such that it holds

- $\hat{\mathcal{A}}_0 = (\hat{A}_1, \dots, \hat{A}_p)$,
- for all $t \in [0, 1]$, the moduli of the eigenvalues of the product $\hat{B}_t = \hat{A}_{p,t}\hat{A}_{p-1,t}\dots\hat{A}_{1,t}$ coincide with the moduli of those of \hat{B}_0 ,
- the eigenvalues of \hat{B}_1 are real.

Then the path $\mathcal{A}_t = (A_{1,t}, \dots, A_{p,t})$, where $A_{n,t} = \lambda_n^{-1} \cdot J_n^{-1} \hat{A}_{n,t} J_{n+1}$, clearly satisfies all the conclusions of Proposition 6.5. Therefore, it is enough to solve Proposition 6.5 for the $A_n \in SL(2, \mathbb{R})$ case. [3, lemme 6.6] easily answers that case:

Lemma 6.8 (Bonatti, Crovisier). *For any $\epsilon > 0$, there exists $N(\epsilon) \geq 1$ such that, for any integer $p \geq N(\epsilon)$ and any finite sequence A_1, \dots, A_p of elements in $SL(2, \mathbb{R})$, there exists a sequence $\alpha_1, \dots, \alpha_p$ in $] -\epsilon, \epsilon[$ such that the following assertion holds:*

for any $i \in \{1, \dots, p\}$ if we denote by $B_i = R_{\alpha_i} \circ A_i$ the composition of A_i with the rotation R_{α_i} of angle α_i , then the matrix $B_p \circ B_{p-1} \circ \dots \circ B_1$ has real eigenvalues.

Under the hypothesis of the lemma, let $\alpha_1, \dots, \alpha_p$ be a corresponding sequence. For all $1 \leq i \leq p$, define $A_{t,i} = R_{t,\alpha_i} \circ A_i$, and let t_0 be the least positive number such that the matrix $A_{t_0,p} \circ \dots \circ A_{t_0,1}$ has real eigenvalues. Then the path $\{(A_{t,1}, \dots, A_{t,p})\}_{t \in [0, t_0]}$ satisfies the conclusions of Proposition 6.5.

This ends the proof of the dimension 2 case. \square

Proof of Proposition 6.5 in any dimensions. Consider the linear cocycle \mathcal{A} associated to the sequence A_1, \dots, A_p on the bundle $\mathcal{E} = \{1, \dots, p\} \times \mathbb{R}^d$. If some eigenvalue of the product $A_p \dots A_1$, that is the first return map, is not real, there is a dimension 2 invariant subbundle F of \mathcal{E} that corresponds to the corresponding pair of complex conjugated eigenvalues. Choosing orthonormal basis in each fibre of F and completing by a basis of the orthonormal bundle F^\perp , the linear cocycle \mathcal{A} writes in those bases as a sequence of matrices of the form:

$$\begin{pmatrix} A_{|F,i} & B \\ 0 & A_{F,i}^\perp \end{pmatrix}.$$

Using the proposition in dimension 2, one may choose a path $\mathcal{A}_{|F,t}$ of automorphisms of \mathcal{F} ending at $\mathcal{A}_{|F}$ such that the first return map of $\mathcal{A}_{|F,0}$ has real eigenvalues. Denote by \mathcal{A}_t the linear cocycle corresponding to the sequences of the matrices

$$\begin{pmatrix} A_{|F,t,i} & B \\ 0 & A_{F,i}^\perp \end{pmatrix}.$$

This defines a path of small radius that joins the initial automorphism to an automorphism where two of the eigenvalues have turned real. The other eigenvalues are given by the product of the blocks $A_{F,i}^\perp$, therefore did not change. One may need to iterate that process at most $d/2$ times to turn all eigenvalues real, by concatenation of small paths. This ends the proof of the proposition. \square

6.4.2. *Proof of Proposition 6.6.* As in the previous proof, one considers the linear cocycle \mathcal{A} associated to the sequence A_1, \dots, A_p on the bundle $\mathcal{E} = \{1, \dots, p\} \times \mathbb{R}^d$. Let $\mathcal{E} = E^s \oplus E^u$ be the stable/unstable splitting for the cocycle \mathcal{A} . Choosing an orthonormal basis in each fibre of E^s and completing by a basis of the orthonormal bundle $E^{s\perp}$, the linear cocycle \mathcal{A} writes in those bases as a sequence of matrices of the form:

$$\begin{pmatrix} A_{|E^s,i} & B \\ 0 & A_{E^s,i}^\perp \end{pmatrix}.$$

Let $0 < t \leq 1$. Let \mathcal{A}_t be the cocycle obtained from \mathcal{A} multiplying each matrix $A_{|E^s, i}$ by $t^{1/p}$. One easily checks that the stable eigenvalues of \mathcal{A}_t are those of \mathcal{A} multiplied by t , while the unstable eigenvalues remain unchanged. All stable eigenvalues for \mathcal{A}_ϵ are less than ϵ and, for p big, the path $\{\mathcal{A}_t\}_{t \in [\epsilon, 1]}$ is small. One can do the same for the unstable eigenvalues of \mathcal{A}_ϵ and obtain another path. The concatenation of both paths ends the proof of the proposition.

6.4.3. *Proof of Proposition 6.7.* We show it by induction on the dimension d . We first restate [6, Lemma 4.4]:

Lemma 6.9 (Bonatti, Díaz, Pujals). *Let $C > 1$ and $d \in \mathbb{R}$. There exists a mapping $\phi_{C,d}: \mathbb{N} \rightarrow \mathbb{N}$ such that, for any linear cocycle \mathcal{A} bounded by C on a d -dimensional bundle E , the following holds for all $N \in \mathbb{N}$: if an invariant splitting $E = F \oplus G$ is not $\phi_{C,d}(N)$ -dominated for \mathcal{A} , and if $H \subset F$ (resp. $H \subset G$) is an invariant subbundle, then*

- either the splitting $H \oplus G$ (resp. $F \oplus H$) is not N -dominated for the restriction $\mathcal{A}_{|H \oplus G}$ (resp. $\mathcal{A}_{|F \oplus H}$),
- or $F/H \oplus G/H$ is not N -dominated for the quotient $\mathcal{A}_{|H}$.

Proof in dimension 2: This is basically [7, Lemma 7.10] by isotopy. Notice that the perturbations done in the proof of that lemma can be obtained by an isotopy such that at each time, two invariant bundles exist. The eigenvalues may be slightly modified along that isotopy, however each eigenvalue may be retrieved by dilating or contracting normally to the other eigendirection (which preserves the other eigenvalue). \square

Proof in any dimension: Fix $d > 2$, and assume that the proposition is proved in all dimensions less than d . Let $C > 1$ and \mathcal{A} be a saddle cocycle bounded by C associated to a sequence A_1, \dots, A_p on the bundle $\mathcal{E} = \{1, \dots, p\} \times \mathbb{R}^d$ and let $\mathcal{E} = E^s \oplus E^u$ be the stable/unstable splitting. One of these two bundles has dimension greater or equal to 2, we assume it is E^s (the other case is symmetrical). Since the eigenvalues of \mathcal{A} are real, there is a proper invariant subbundle $F \subset E^s$. For all $N \in \mathbb{N}$, if the stable/unstable splitting $E^s \oplus E^u$ is not $\phi_{C,d}(N)$ -dominated, by Lemma 6.9, either $H = F \oplus E^u$ is not N -dominated for the restriction $\mathcal{A}_{|H}$, or $E^s/F \oplus E^u/F$ is not N -dominated for $\mathcal{A}_{|F}$. Let $\epsilon > 0$. By the induction hypothesis, one can find $N_{d'} \in \mathbb{N}$ such that the conclusions of Proposition 6.7 are satisfied with respect to ϵ, C and any $2 \leq d' < d$.

Note that for any N greater than some $\tilde{N}_{d'}$ it holds: if a d' -dimensional saddle cocycle is bounded by C and not N -dominated, then it is not $N_{d'}$ -dominated. Let

$$N_0 = \max_{2 \leq d' < d} \{\tilde{N}_{d'}\}.$$

Then, if \mathcal{A} is not $\phi_{C,d}(N_0)$ -dominated, by Lemma 6.9 and the induction hypothesis, one has either:

- a path $\mathcal{A}_{|H,t}$ of radius $\leq \epsilon$ that joins $\mathcal{A}_{|H}$ to a saddle cocycle that has a minimum stable/unstable angle less than ϵ , and such that the eigenvalues are preserved all along the path. One may extend that path to a path \mathcal{A}_t of saddle cocycles on \mathcal{E} , the same way as we extended the path $\mathcal{A}_{|F}$ in the proof of Proposition 6.5. That extended path has the same radius as $\mathcal{A}_{|H,t}$. The minimum stable/unstable angle of \mathcal{A}_t is less or equal to that of $\mathcal{A}_{|H,t}$, for all t , in particular that of \mathcal{A}_1 is less than ϵ . Finally, for all t , the eigenvalues of \mathcal{A}_t are the same as those of \mathcal{A} .

- or a path $\mathcal{A}_{/F,t}$ of radius $\leq \epsilon$ that joins $\mathcal{A}_{/F}$ to a saddle cocycle that has a minimum stable/unstable angle less than ϵ , and such that the eigenvalues of the first return map are preserved all along the path. Choosing an orthonormal basis in each fibre of F and completing by a basis of the orthonormal bundle F^\perp , the linear automorphism \mathcal{A} writes in those bases as a sequence of matrices of the form:

$$\begin{pmatrix} A_{|F,i} & B \\ 0 & A_{F,i}^\perp \end{pmatrix},$$

where the sequence of matrices $A_{F,i}^\perp$ identifies with the quotient $\mathcal{A}_{/F}$. We define a path \mathcal{A}_t replacing the sequence $A_{F,i}^\perp$ by the sequence $A_{F,t,i}^\perp$ that corresponds to the cocycle $\mathcal{A}_{/F,t}$. As both $\mathcal{A}_{|F}$ and $\mathcal{A}_{/F,t}$ are saddle cocycles, for all t , \mathcal{A}_t is also a saddle cocycle.

Let $\mathcal{E} = E_t^s \oplus E_t^u$ be the stable/unstable splitting for \mathcal{A}_t . By construction F is a subbundle of E_t^s and is invariant by \mathcal{A}_t . The stable/unstable splitting of $\mathcal{A}_{t/F}$, which identifies to $\mathcal{A}_{/F,t}$, is $\mathcal{E}/F = E_t^s/F \oplus E_t^u/F$. Note that, given three vector subspaces $\Gamma \subset \Delta$ and Λ of \mathbb{R}^d , one has the following relation on minimum angles:

$$\angle(\Delta, \Lambda) \leq \angle(\Delta/\Gamma, \Lambda/\Gamma).$$

Therefore, the minimum stable/unstable angle of each \mathcal{A}_t is less than that of $\mathcal{A}_{/F,t}$, in particular, that of \mathcal{A}_1 is less than ϵ . The path \mathcal{A}_t has same radius as the quotient path $\mathcal{A}_{/F,t}$, in particular it is less than ϵ . The eigenvalues are the same for $\mathcal{A} = \mathcal{A}_0$ and \mathcal{A}_t .

We are done in both case, which ends the proof of Proposition 6.7. \square

7. Further results and announcements. In this paper, we assume that some i -strong stable/unstable directions exist at any time t of the homotopy, and we obtain a perturbation lemma that preserves the corresponding local invariant manifolds entirely, outside small neighbourhoods.

We announce a 'manifolds prescribing pathwise Franks Lemma', that is, a generalisation of Theorem 1 that allows to prescribe the strong stable/unstable manifolds within any 'admissible' flag of stable/unstable manifolds. That generalisation implies for instance that if the i -strong stable direction exists for all the cocycles γ_t , for $0 \leq t \leq 1$, and if, for some time t_0 , all the eigenvalues inside the i -strong stable direction have same moduli, then one can do the pathwise Franks' lemma, prescribing the j -strong stable manifolds, for all $j \leq i$, inside arbitrarily large annuli of fundamental domains of i -strong stable manifold.

Let us formally define these objects. Let f be a C^1 -diffeomorphism and P be a periodic saddle point for f . To simplify the statement, we assume that P is a fixed point. Given a fundamental domain of the stable/unstable manifold of P identified diffeomorphically to $\mathbb{S}^{i_s-1} \times [0, 1[$, an *annulus* $A(f, P)$ is a subset of the form $\mathbb{S}^{i_s-1} \times [0, \rho[$, where $0 < \rho < 1$. We denote by $W^{s,i}(f)$ the i -strong stable manifold of f . An *i -admissible flag of manifolds for f* is a flag $W^{s,1} \subset \dots \subset W^{s,i} = W^{s,i}(f)$ of f -invariant manifolds such that each $W^{s,k}$ is an immersed boundaryless k -dimensional manifold that contains P , and that is smooth at all points, but possibly P . A particular case (and simple case) of the announced Franks' Lemma that prescribes manifolds can be stated as follows:

Theorem. *Assume that $(\mathcal{A}_t)_{t \in [0,1]}$ is a path that starts at the sequence of matrices \mathcal{A}_0 corresponding to the derivative of f . Assume that, for all t , the corresponding*

first return map has an i -strong stable direction. Assume also that there is some time t_0 such that the i strongest stable eigenvalues $\lambda_1(t_0), \dots, \lambda_i(t_0)$ of \mathcal{A}_{t_0} , counted with multiplicity, have same moduli. Then, for any i -admissible flag $W^{s,1} \subset \dots \subset W^{s,i}$ for f , for any annulus $A(f, P)$, for any neighbourhood U_P of the orbit of P , there is a diffeomorphism g such that it holds:

- g is a perturbation of f whose size can be taken arbitrarily close to the radius of the path \mathcal{A}_t ,
- $g^{\pm 1} = f^{\pm 1}$ on the orbit Orb_P of P and outside U_P ,
- the sequence of matrices \mathcal{A}_1 corresponds to the derivative $Dg|_{\text{Orb}_P}$,
- for all $1 \leq j \leq i$, if g has a j -strong stable manifold, then it coincides with $W^{s,j}$ by restriction to the annulus $A(f, P)$.

The perturbation techniques for linear cocycles as developed in [16, 6, 8] successively, can be easily rewritten in order to take into account the need of a good path between the initial cocycle and the perturbation. The perturbations of cocycles obtained by the techniques of [8] can indeed be done along paths whose size are small (R. Potrie actually wrote a proof of it in [17]). A general description of the vectors of Lyapunov vectors that can be reached by a perturbation of a linear cocycle has been recently given by Bochi and Bonatti [2]; moreover, those perturbations are built so that they can be reached from the initial cocycle by an isotopy. These isotopic perturbation lemmas for cocycles and the theorem announced above lead to easy and systematic ways to create strong connections and heterodimensional cycles whenever there is some lack of domination within a homoclinic class.

We claim that with some hypotheses on the signs of the eigenvalues of the first return map of \mathcal{A}_1 , the theorem above can be adapted to prescribe the entire semi-local flag of strong stable manifolds outside U_P within an isotopy class of i -admissible flags determined by the isotopy class of the path of eigenvalues $(\lambda_1(t), \dots, \lambda_i(t))$ (here $\lambda_j(t)$ is the j -th eigenvalue of \mathcal{A}_t , counting with multiplicity). In a work in progress, Bonatti and Shinohara used an adapted version of this argument in dimension 2, in order to build their new examples of wild C^1 -generic dynamics.

Finally, we claim that these results, with some more work and excluding the codimension one manifolds¹⁷, can be adapted to hold in the volume preserving and symplectic settings. They can also clearly be adapted to the flows case, but here again technical work is needed.

REFERENCES

- [1] M.-C. Arnaud, *Création de connexions en topologie C^1* , Ergodic Theory and Dynamical Systems **21**(2001), 339-381.
- [2] J. Bochi and C. Bonatti, *Perturbation of the Lyapunov spectra of periodic orbits*, Proc. London Math. Soc. **105** (2012), (1): 1-48. <http://plms.oxfordjournals.org/content/105/1/1>
- [3] C. Bonatti and S. Crovisier, *Réurrence et genericité*, Invent. Math **158**(2004), 33-104.
- [4] C. Bonatti and S. Crovisier and L. Díaz and N. Gourmelon, *Internal perturbations of homoclinic classes: non-domination, cycles, and self-replication*, Ergod. Th. & Dyn. Syst. (2012), 1-38. http://journals.cambridge.org/abstract_S0143385712000028
- [5] Ch. Bonatti and L.J. Díaz, *On maximal transitive sets of generic diffeomorphisms*, Publ. Math. Inst. Hautes Études Sci., **96** (2002), 171-197.
- [6] C. Bonatti and L.J. Díaz and E.R. Pujals, *A C^1 -generic dichotomy for diffeomorphisms: weak forms of hyperbolicity or infinitely many sinks or sources*, Ann. of Math., **158** (2000), 355-418.

¹⁷it is possible to preserve *annuli* of codimension 1 stable or unstable manifolds by conservative perturbations, however there seems to be an obstruction to preserving them semi-locally

- [7] C. Bonatti and L.J. Diaz and M. Viana, "Dynamics beyond uniform hyperbolicity," Springer-Verlag, Berlin, 2005.
- [8] C. Bonatti and N. Gourmelon and T. Vivier, *Perturbations of the derivative along periodic orbits*, Ergodic Theory Dynam. Systems, **26** (2006), 1307-1337.
- [9] C. Bonatti and M. Li and D. Yang, *On the existence of attractors*, [arXiv:0904.4393](https://arxiv.org/abs/0904.4393).
- [10] S. Crovisier, *Periodic orbits and chain transitive sets of C^1 -diffeomorphisms*, Publ. Math. Inst. Hautes Études Sci., **104** (2006), 87-141.
- [11] J. Franks, *Necessary conditions for stability of diffeomorphisms*, Transactions of the A.M.S, **158** (1971), 302-304.
- [12] N. Gourmelon, *Generation of homoclinic tangencies by C^1 -perturbations*, Discrete and Continuous Dynamical Systems, **26** (2010).
- [13] N. Gourmelon, *A Franks' lemma that preserves invariant manifolds*, [arXiv:0912.1121v2](https://arxiv.org/abs/0912.1121v2).
- [14] S. Hayashi, *Connecting invariant manifolds and the solution of the C^1 -stability and Ω -stability conjectures for flows*, Ann. of Math., **145**(2000), 81-137.
- [15] A. Katok and B. Hasselblatt, "Modern theory of dynamical systems," Cambridge University Press, 1995.
- [16] R. Mañé, *An ergodic closing lemma*, Ann. of Math., **116** (1982), 503-540.
- [17] R. Potrie, *Generic bi-Lyapunov stable homoclinic classes* Nonlinearity, **23** (2010), no. 7, 1631-1649.
- [18] C. Pugh, *The closing lemma*, Amer. J. Math., **89** (1967), 956-1009.
- [19] C. Pugh, *The $C^{1+\alpha}$ hypothesis in Pesin theory*, Inst. Hautes tudes Sci. Publ. Math., **59** (1984), 143-161.
- [20] E.R. Pujals and M. Sambarino, *Homoclinic tangencies and hyperbolicity for surface diffeomorphisms*, Ann. of Math., **151** (2000), 961-1023.
- [21] L. Wen, *Homoclinic tangencies and dominated splittings*, Nonlinearity, **15** (2002), 1445-1469.
- [22] L. Wen and Z. Xia, *C^1 connecting lemmas*, Trans. Amer. Math. Soc., **352** (2000), no.11, 5213-5230.
- [23] J. Yang, *Lyapunov stable chain-recurrent classes*, preprint, [arXiv:0712.0514v1](https://arxiv.org/abs/0712.0514v1).

E-mail address: ngourmel@math.u-bordeaux1.fr