



HAL
open science

Sensorless Adaptive Output Feedback Control of Wind Energy Systems with PMS Generators

Abdelmounime El Magri, Fouad Giri, Gildas Besancon, Abderrahim Elfadili,
Luc Dugard, Fatima Zara Chaoui

► **To cite this version:**

Abdelmounime El Magri, Fouad Giri, Gildas Besancon, Abderrahim Elfadili, Luc Dugard, et al.. Sensorless Adaptive Output Feedback Control of Wind Energy Systems with PMS Generators. Control Engineering Practice, 2013, 21 (4), pp.530-543. 10.1016/j.conengprac.2012.11.005 . hal-00764404

HAL Id: hal-00764404

<https://hal.science/hal-00764404v1>

Submitted on 13 Dec 2012

HAL is a multi-disciplinary open access archive for the deposit and dissemination of scientific research documents, whether they are published or not. The documents may come from teaching and research institutions in France or abroad, or from public or private research centers.

L'archive ouverte pluridisciplinaire **HAL**, est destinée au dépôt et à la diffusion de documents scientifiques de niveau recherche, publiés ou non, émanant des établissements d'enseignement et de recherche français ou étrangers, des laboratoires publics ou privés.

Sensorless Adaptive Output Feedback Control of Wind Energy Systems with PMS Generators

A. El Magri, F. Giri*, G. Besançon[°], A. Elfadili, L. Dugard[°], F.Z. Chaoui

Université de Caen Basse-Normandie, GREYC UMR 6072, F-14032 Caen, France

[°] *Control Syst. Dep., Gipsa-lab UMR 5216, Grenoble INP, 38402 Saint Martin d'Hères, France*

**Corresponding author: foudad.giri@unicaen.fr*

Abstract. This paper addresses the problem of controlling wind energy conversion (WEC) systems involving permanent magnet synchronous generator (PMSG) fed by IGBT-based buck-to-buck rectifier-inverter. The prime control objective is to maximize wind energy extraction which cannot be achieved without letting the wind turbine rotor operate in variable-speed mode. Interestingly, the present study features the achievement of the above energetic goal without resorting to sensors of wind velocity, PMSG speed and load torque. To this end, an adaptive output-feedback control strategy devoid of any mechanical sensor is developed (called *sensorless*), based on the nonlinear model of the whole controlled system and only using electrical variables measurements. This control strategy involves: (i) a sensorless online reference-speed optimizer designed using the turbine power characteristic to meet the maximum power point tracking (MPPT) requirement; (ii) a nonlinear speed regulator designed by **using** the backstepping technique; (iii) a sensorless interconnected adaptive state observer providing online estimates of the rotor position as well as speed and load/turbine torque. The proposed output-feedback control strategy is backed by a formal analysis showing that all control objectives are actually achieved. Several simulations show that the control strategy enjoys additional robustness properties.

Keywords: wind energy conversion; synchronous generators; speed regulation; MPPT; nonlinear control; output feedback control; adaptive control.

1. INTRODUCTION

Due to its renewable nature and reduced environmental impact, wind energy is already playing worldwide an important role in electricity generation and this role is expected to considerably grow up in the near future. Presently, the focus is made on the Wind Energy Conversion (WEC) system of Fig. 1 which includes a Permanent Magnet Synchronous Generator (PMSG) that converts wind turbine power into electric power; the corresponding output voltage amplitude and frequency vary with wind speed. PMS generators offer several benefits in wind power applications due to their high power density, high efficiency (as the copper losses in the rotor **disappear**), **absence** of gearbox and reduced active weight. These features make it possible to achieve with PMSG's high varying speed control

performance and highly reliable operation conditions (reduced need for maintenance). In varying-speed operation mode, the PMSG is connected to the main power grid through a three-phase power electronic system (see DC/AC part in Fig 1). The three-phase varying frequency and amplitude voltage generated by the PMS machine is rectified using an IGBT-based buck-to-buck rectifier-inverter association (AC/DC/AC PWM converters) connected together with a DC power transfer link (Fig. 1). The AC side of the rectifier is connected to the stator of the PMSG; the inverter (DC/AC) output is directly connected to the grid.

One major requirement in the considered WEC system is controlling the generator rotor speed in order to maximize wind energy extraction. It is well established that the optimal rotor speed is a function of the wind speed value (Fig. 2). It turns out **that the achievement** of maximum wind energy extraction in presence of varying wind speed conditions necessitates a varying turbine speed operation mode. Specifically, the turbine rotor velocity must be controlled so that its power-speed working point is constantly maintained near the optimal position (Fig. 2). This control objective is commonly referred to ‘maximum power point tracking (MPPT)’ and its achievement guarantees optimal aerodynamic efficiency. Presently, we seek MPPT achievement with the WEC system of Fig. 1. The global system (including wind turbine, PMSG and AC/DC/AC power converter) has to be controlled in order to achieve a tight reference-speed tracking. Furthermore, the rotor speed reference (ω_{ref}) must be updated online, following the variation of wind velocity (v_{win}), so that the MPPT requirement is **achieved**. Existing MPPT methods can be separated in two categories. The first one includes methods based on the explicit use of the turbine power characteristics which necessitate online measurements of wind speed and (turbine/PMSG) rotor velocity (e.g. Senjyu *et al.*, 2009). In fact, the required wind speed measurement is a kind of average value of wind speed along the turbine blade which is not easy to measure. This drawback is overcome in (Rocha, 2010) where the proposed MPPT method involves a Kalman predictor estimating the load/turbine torque based on rotor speed measurements. There, the whole control design, including the Kalman predictor, is based on a linear approximation of the WEC systems and no formal analysis is made there for the proposed control strategy (e.g. predictor estimator convergence not proved). The second category of MPPT methods, using the so-called extremum-seeking or perturbation-observation technique, do not necessitate turbine characteristics (e.g. González *et al.*, 2010; Hong *et al.*, 2009; Koutroulis *et al.*, 2006; Kesraoui *et al.*, 2011). These methods are most suitable for wind turbines with small inertia.

In this paper, a new control strategy is developed and formally proved to guarantee tight rotor speed-reference tracking and rotor speed-reference optimization (for MPPT achievement), without necessitating mechanical sensors for wind and rotor speeds and load torque. The sensorless feature is quite beneficial as it entails cost reduction due to no sensor implementation and maintenance. Interestingly, sensorless (output-feedback) controllers remain beneficial, even **when** sensors are

available, for sensor fault detection and isolation and fault tolerant control. Presently, the sensorless aspect is tackled using state observers. Consequently, the proposed output-feedback control architecture involves three main types of components (Fig. 3): speed-reference optimizer, regulators and observers. The online speed-reference optimizer is presently designed, making full use of the nonlinear wind turbine aerofoil characteristic. Rotor speed control is performed using a nonlinear regulator which, in addition, regulates the d -component of the stator current to zero, optimizing thus the delivered stator current. Besides, the control strategy regulates the DC link voltage (between AC/DC rectifier and inverter) (Fig. 1) to a constant reference value, commonly equal to the nominal PMSG stator voltage. In fact, this regulation loop controls the reactive power control delivered to the grid. All previous regulation loops are developed on the basis of accurate nonlinear models, using the backstepping design technique (Krstic *et al.*, 1995).

The above regulation loops need observers providing them with online estimates of the PMSG rotor flux and load torque and the rotor speed. Only electrical variables are supposed to be accessible to measurements. Observer design for PMSGs has been attempted, following different approaches. In (Zatocil *et al.*, 2008; Ichikawa *et al.*, 1993; Yu-seok *et al.*, 2005) signal injection methods have been proposed making use of the phase inductance variation property by injection of high frequency signal. This approach provides rotor position information at low speeds and during standstill operation. However, it necessitates a certain amount of saliency in the machine. Also, injection of high frequency signal is not desired in high speed operation. Fundamental excitation methods, proposed in e.g. (Silverio *et al.*, 1999), involve the detection of the rotor position from the stator voltages and currents without requiring additional test signals. In (Kittithuch *et al.*, 2007; Chi *et al.*; 2007), the back EMF (waveform of the voltage induced in stator windings) was used to estimate rotor position by means of state observers or Kalman filters. This approach works well in medium/high speed application while it is not accurate at low operation when the back EMF is low. Presently, a new adaptive observer is developed, on the basis of the nonlinear system model, to get online estimates of the rotor flux, rotor speed and load torque, using only stator voltage/current measurements. The rotor position is derived from the position of the estimated fluxes without requiring initial position detection. The observer is made adaptive to cope with the uncertainty affecting the stator resistance. The observer is designed using the interconnected Kalman like approach initially developed in (Besançon and Hammouri, 1998) for state affine nonlinear systems. The observer development is sustained by a formal analysis proving its convergence.

The control strategy thus developed is illustrated by Fig. 3. It is optimal (in the MPPT sense), multiloop (speed, current, voltage regulation loops) and output-feedback (mechanical and electromagnetic variables observers). It is sustained by a theoretical analysis and a simulation study

showing the achievement of quite satisfactory control performances, despite the varying wind velocity and the corresponding change in load torque.

The paper is organized as follows: the speed reference optimizer is designed in Section 2; the WEC system under study is modeled and given a state space representation in Section 3; the state-feedback controller is designed and analyzed in Section 4; the adaptive state observer is designed and analyzed in Section 5; simulation results are presented in Section 6. For convenience, the main notations used throughout the paper are described in Table 3 placed at the end of the paper.

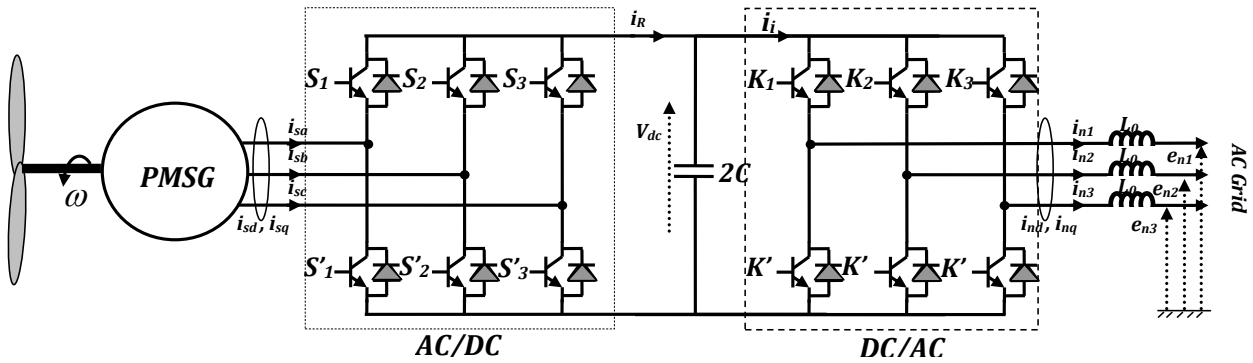


Fig.1. The AC/DC/AC Converter power circuit wind energy conversion system

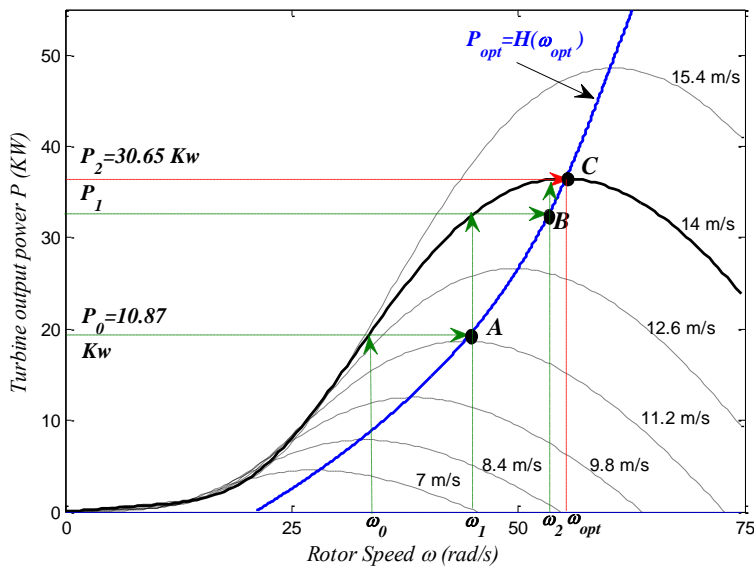


Fig .2 : Turbine Power Characteristics (Pitch angle beta = 0 deg).

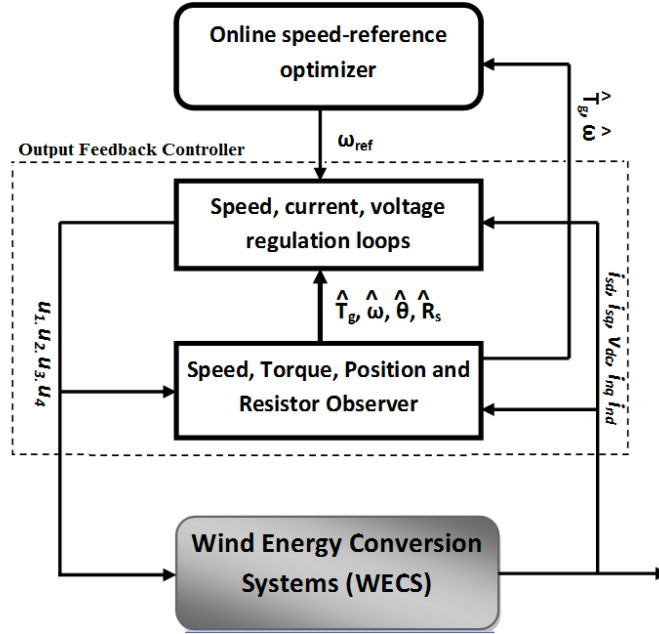


Fig. 3. Control system architecture for WEC systems

2. WIND SENSORLESS ROTOR SPEED REFERENCE OPTIMIZATION

In this subsection, we seek the construction of a speed-reference optimizer that meets the MPPT requirement. Specifically, the optimizer is expected to compute online the optimal speed value ω_{opt} so that, if the current turbine rotor speed ω is made equal to ω_{opt} then, maximal wind energy is captured, and transmitted to the grid through to the aerogenerator. Presently, the speed-reference optimizer design is based on the turbine power characteristic (Fig. 2) and feature the fact that it does not require wind velocity measurement.

First, let us clarify notations related to turbine power characteristic of Fig. 2. The wind power acting on the swept area of blade A is a function of the air density ρ (Kg/m^3) and the wind velocity v_{win} (m/s). The transmitted power $P(W)$ is generally deduced from the wind power, using the power coefficient C_p , as follows:

$$P = \frac{1}{2} C_p \rho A v_{win}^3 \quad (1)$$

The power coefficient C_p is a nonlinear function of the tip speed-ratio $\lambda = R\omega/v_{win}$ (with R the turbine radius) which depends on the wind velocity v_{win} and the rotation speed of the generator rotor ω (rad/s). Fig. 2 represents the transmitted power according to the rotor PMSG speed for various values of the wind speed.

The summits of these curves give the maximum ‘extractable’ power P_{opt} and so represent the optimal points. Each one of these points is characterized by the optimal speed ω_{opt} . It is readily seen from Fig.

2 that for any wind velocity value, say v_{win}^i , there is a unique couple (ω_i, P_i) that involves the largest extractable power. The set of all such optimal couples (ω_i, P_i) is represented by the blue curve in Fig. 2. A number of such couples have been collected from Fig. 2 and interpolated to get a polynomial function $\omega_{opt} = F(P_{opt})$. Let the obtained polynomial be denoted:

$$F(P) = h_n P^n + h_{n-1} P^{n-1} + \dots + h_1 P + h_0 \quad (2)$$

The values of the degree n and coefficients h_i ($i = 0 \dots n$) corresponding to the characteristic of Fig. 2 are given in Table 2 (see Subsection 5.1). It is precisely this function $F(\cdot)$ that defines the speed-reference optimizer (Fig. 4). Indeed, suppose that, at some instant, the wind velocity is $v_{win}^0 = 14m/s$ and the rotor speed is ω_0 . One can see on Fig. 2 **with the?** transmitted wind power P_0 corresponds to this couple (v_{win}^0, ω_0) . The point is that P_0 is easily online computed (as it simply equals the product rotor speed \times torque). Given only the value of P_0 , the speed-reference optimizer gives a new rotor speed reference value $\omega_1 = F(P_0)$. This corresponds to point A on Fig. 2. Assume **that a speed regulator (to be determined) is available, that** makes the machine rotor rotate at the new **speed reference** i.e. $\omega = \omega_1$. Then, according to Fig. 2, the wind turbine provides a new extractable power value equal to P_1 . Then, the speed-reference optimizer will suggest (to the speed regulator) a new speed reference ω_2 (point B). This process will continue until the achievement of the optimal point (P_{opt}, ω_{opt}) (point C on Fig. 2).

Remark 1. The polynomial interpolation yielding the function $F(\cdot)$ has been obtained using the Matlab functions *MAX*, *POLYVAL*, *SPLINE*, and *POLYFIT*.

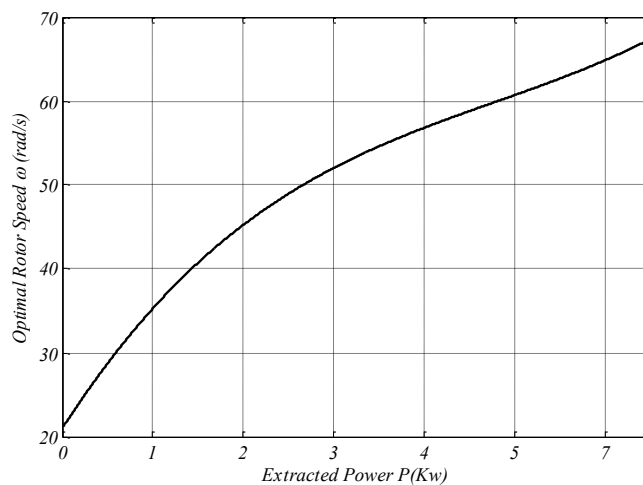


Fig. 4 : Function $F(\cdot)$ defining the speed-reference optimizer

3. MODELING OF THE ASSOCIATION PMSG -AC/DC/AC CONVERTER

3.1 Modeling of the combination ‘PMSG-DC/AC converter’

The controlled system is illustrated by Fig. 1. It includes a combination ‘synchronous Generator-rectifier, on one hand, and a tri-phase DC/AC inverter, on the other hand. The rectifier is an AC/DC converter operating, like the DC/AC rectifier, according to the known Pulse Wide Modulation (PWM) principle.

Such a modeling is generally performed in the d-q rotating reference frame (with a rotor position) because the resulting components i_{sd} and i_{sq} turn out to be DC currents. It is shown in many places (e.g Wallmark, 2004) that the synchronous machine model, expressed in the d-q coordinates, can be given the following state space form:

$$\frac{d\omega}{dt} = -\frac{F}{J}\omega - \frac{K_M}{J}i_{sq} + \frac{1}{J}T_g \quad (3a)$$

$$\frac{di_{sq}}{dt} = -\frac{R_s}{L_s}i_{sq} - p i_{sd} \omega - \frac{K_M}{L_s}\omega - \frac{1}{L_s}v_{sq} \quad (3b)$$

$$\frac{di_{sd}}{dt} = -\frac{R_s}{L_s}i_{sd} + p i_{sq} \omega - \frac{1}{L_s}v_{sd} \quad (3c)$$

where R_s and L_s are the stator resistor and inductance, J, F, p are the rotor inertia, viscous coefficient and number of poles pairs. ω is the rotor speed, T_g denotes the generator load torque (which equals the turbine shaft torque since the shaft-rotor coupling is presently direct i.e. involves no gearbox), $K_M = p\sqrt{3/2}\phi_r$ is a flux generator constant and v_{sd}, v_{sq} (and i_{sd}, i_{sq}) denote the averaged stator voltage (and current respectively) in dq-coordinate (Park’s transformation of the triphase stator voltages). The inverter is featured by the fact that the stator d- and q-voltage can be controlled independently. To this end, these voltages are expressed in function of the corresponding control action (see e.g. Michael *et al.*, 1998):

$$v_{sq} = v_{dc} u_1; \quad v_{sd} = v_{dc} u_2; \quad \bar{i}_R = u_1 i_{sq} + u_2 i_{sd} \quad (4)$$

where $u_1 = \bar{u}_{sq}$, $u_2 = \bar{u}_{sd}$ represent the average d- and q-axis (Park’s transformation) of the triphase duty ratio system (s_1, s_2, s_3) .

$$\text{With, } s_i = \begin{cases} 1 & \text{If } S_i \text{ ON and } S'_i \text{ OFF} \\ 0 & \text{If } S_i \text{ OFF and } S'_i \text{ ON} \end{cases} \quad i = 1, 2, 3$$

Now, let us introduce the state variables $x_1 = \bar{\omega}$, $x_2 = i_{sq}$, $x_3 = i_{sd}$ where \bar{z} denotes the average value on the modulation (MLI) period of the variable z . Then, substituting (4) in (3a-b) yields the following state space representation of the association ‘Generator-rectifier’:

$$\dot{x}_1 = -\frac{F}{J}x_1 - \frac{K_M}{J}x_2 + \frac{T_g}{J} \quad (5a)$$

$$\dot{x}_2 = -\frac{R_s}{L_s}x_2 - p x_1 x_3 + \frac{K_M}{L_s}x_1 - \frac{1}{L_s}u_1 v_{dc} \quad (5b)$$

$$\dot{x}_3 = -\frac{R_s}{L_s}x_3 + p x_1 x_2 - \frac{1}{L_s}u_2 v_{dc} \quad (5c)$$

where \dot{z} denotes the time-derivative of z .

3.2 DC/AC inverter modeling

The inverter circuit (DC/AC) is presented in Fig.1 (the right part). The power supply net is connected to a converter which consists of a three phase converter with 6 semiconductors (IGBTs with anti-parallel diodes for bidirectional current flow mode) displayed in three legs 1, 2 and 3. The 6 semiconductors are considered as ideal switches. Only one switch on the same leg can be conducting at the same time.

Applying Kirchhoff’s laws, this subsystem is described by the following set of differential equations:

$$L_0 \frac{d}{dt} [i_{n123}] = v_{dc} [k_{123}] - [e_{n123}] \quad (6a)$$

$$2C \frac{dv_{dc}}{dt} = i_r - i_i \quad (6b)$$

$$i_i = [k_{123}]^T [i_{n123}] \quad (6c)$$

where $[i_{n123}] = [i_{n1} \ i_{n2} \ i_{n3}]^T$ is the input currents in the electric grid, $[e_{n123}] = [e_{n1} \ e_{n2} \ e_{n3}]^T$ is the sinusoidal triphase net voltages (with known constant frequency ω_n), v_{dc} denotes the voltage in capacitor $2C$, i_i designates the input current inverter, and k_i is the switch position function taking values in the discrete set $\{0, 1\}$. Specifically:

$$k_i = \begin{cases} 1 & \text{if } K_i \text{ is ON and } K'_i \text{ is OFF} \\ 0 & \text{if } K_i \text{ is OFF and } K'_i \text{ is ON} \end{cases} \quad (i=1,2,3) \quad (7)$$

To simplify the triphase representation (6a) for the synthesis of control laws, the Park transformation is invoked again.

$$\frac{di_{nd}}{dt} = -\frac{1}{L_0} E_{nd} + \omega_n i_{nq} + \frac{1}{L_0} u_{nd} v_{dc} \quad (8a)$$

$$\frac{di_{nq}}{dt} = -\frac{1}{L_0} E_{nq} - \omega_n i_{nd} + \frac{1}{L_0} u_{nq} v_{dc} \quad (8b)$$

$$2C \frac{dv_{dc}}{dt} = i_R - i_i \quad (8c)$$

where (E_{nd}, E_{nq}) , (i_{nd}, i_{nq}) and (u_{nd}, u_{nq}) denote the averaged network voltage and current and input control of the inverter in dq-coordinate (Park's transformation).

The power absorbed by the DC/AC converter is given by the well known expression $P_{Load} = i_i v_{dc}$. On the other hand, the power released by the network is given by $P_{OUT} = [e_{n123}]^T [i_{n123}] = E_{nd} i_{nd} + E_{nq} i_{nq}$. Using the power conservation principle, one has $P_{Load} = P_{OUT}$ or, equivalently $i_i v_{dc} = E_{nd} i_{nd} + E_{nq} i_{nq}$.

Also, from (8a-b) one immediately gets that:

$$2v_{dc} \frac{dv_{dc}}{dt} = -\frac{1}{C} E_{nd} i_{nd} - \frac{1}{C} (E_{nq} i_{nq} - v_{dc} \bar{i}_R) \quad (9a)$$

$$\frac{di_{nd}}{dt} = -\frac{1}{L_0} E_{nd} + \omega_n i_{nq} + \frac{1}{L_0} u_{nd} v_{dc} \quad (9b)$$

$$\frac{di_{nq}}{dt} = -\frac{1}{L_0} E_{nq} - \omega_n i_{nd} + \frac{1}{L_0} u_{nq} v_{dc} \quad (9c)$$

Let us introduce the state variables $x_4 = \bar{v}_{dc}^2$, $x_5 = \bar{i}_{nd}$, $x_6 = \bar{i}_{nq}$. The considered inverter control design will be based upon the following equation:

$$\dot{x}_4 = -\frac{1}{C} E_{nd} x_5 - \frac{1}{C} (E_{nq} x_6 - v_{dc} \bar{i}_R) \quad (10a)$$

$$\dot{x}_5 = -\frac{1}{L_0} E_{nd} + \omega_n x_6 + \frac{1}{L_0} u_3 v_{dc} \quad (10b)$$

$$\dot{x}_6 = -\frac{1}{L_0} E_{nq} - \omega_n x_5 + \frac{1}{L_0} u_4 v_{dc} \quad (10c)$$

where $u_3 = \bar{u}_{nd}$, $u_4 = \bar{u}_{nq}$ represent the average d-and q-axis components of the triphase duty ratio system (k_1, k_2, k_3) .

The state space equations obtained up to now are put together to get a state-space model of the whole system including the AC/DC/AC converters combined with the synchronous generator. For convenience, the whole model is rewritten here for future reference:

$$\dot{x}_1 = -\frac{F}{J} x_1 - \frac{K_M}{J} x_2 + \frac{T_g}{J} \quad (11a)$$

$$\dot{x}_2 = -\frac{R_s}{L_s} x_2 - p x_1 x_3 + \frac{K_M}{L_s} x_1 - \frac{1}{L_s} u_1 v_{dc} \quad (11b)$$

$$\dot{x}_3 = -\frac{R_s}{L_s} x_3 + p x_1 x_2 - \frac{1}{L_s} u_2 v_{dc} \quad (11c)$$

$$\dot{x}_4 = -\frac{1}{C} E_{nd} x_5 - \frac{1}{C} (E_{nq} x_6 - v_{dc} \bar{i}_R) \quad (11d)$$

$$\dot{x}_5 = -\frac{1}{L_0} E_{nd} + \omega_n x_6 + \frac{1}{L_0} u_3 v_{dc} \quad (11e)$$

$$\dot{x}_6 = -\frac{1}{L_0} E_{nq} - \omega_n x_5 + \frac{1}{L_0} u_4 v_{dc} \quad (11f)$$

4. STATE FEEDBACK **NONLINEAR** CONTROLLER DESIGN

4.1 State feedback control objectives

There are three operational control objectives:

CO1. Speed regulation: the machine speed ω must track, as closely as possible, a given reference signal ω_{ref} . This reference has been obtained from the MPPT strategy used in order to achieve optimal speed ratio working conditions of the wind turbine to capture the maximum energy from the wind (e.g. Senjyu .T *et al.*, 2009).

CO2. The inverter output currents (i_{n1}, i_{n2}, i_{n3}) must be sinusoidal with the same frequency as the supplied power grid, the reactive power in the AC grid must be well regulated.

CO3. Controlling the continuous voltage v_{dc} **in order to track** a given reference signal v_{dcref} . This **reference is generally set to a constant value**, equal to the nominal voltage entering the converter and machine.

Since there are four control **inputs**, **there** is possibility to account for one more control objective. Commonly, the additional objective is:

CO4. Regulating the current i_{sd} to a reference value i_{dref} , preferably equal to zero in order to guarantee the absence of d-axis stator current, implying thus no reluctance torque. Doing so, only the q-axis reactance is involved in producing the final voltage, i.e. there is no direct magnetization or demagnetization of d-axis, only the field winding contributes to producing the flux along this direction (see e.g. Muhammad, 2001).

To achieve these **objectives**, a nonlinear state feedback controller will be designed in the next subsection. It includes speed and reactive power loops which, together with the speed reference generator designed in Section 2, lead to the temporary state-feedback controller illustrated by Fig. 5.

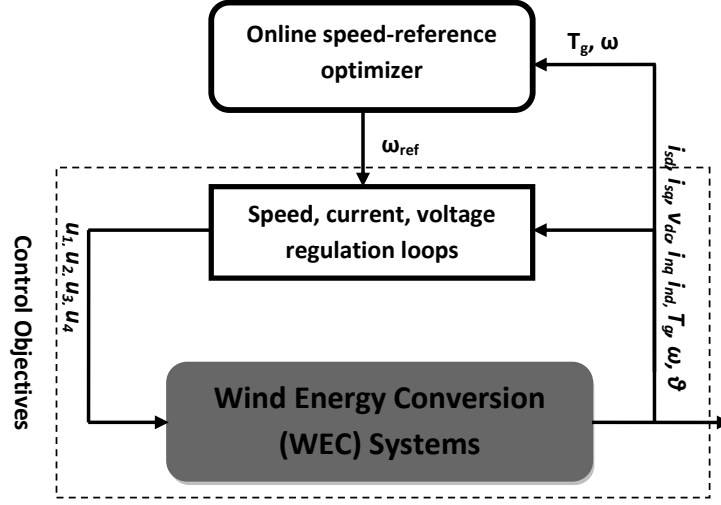


Fig. 5. Temporary state feedback controller for WEC system.

4.2 Speed regulator design for synchronous generator

The regulator design is based on equations (11a-b) where the input signal u_1 stands as the actual input, in order to guarantee speed reference tracking. Following the backstepping technique (Krstic, 1995), let z_1 denote the speed tracking error:

$$z_1 = x_1 - \omega_{ref} \stackrel{def}{=} x_1 - x_1^* \quad (12)$$

In view of (11a), the above error undergoes the following equation:

$$\dot{z}_1 = -\frac{F}{J} x_1 - \frac{K_M}{J} x_2 + \frac{T_g}{J} - \dot{x}_1^* \quad (13)$$

In (13), the quantity $\alpha = -(K_M / J)x_2$ stands up as a (virtual) control input for the z_1 -dynamics. Let α^* denote the stabilizing function (yet to be determined) associated to α . It is easily seen from (13) that if $\alpha = \alpha^*$ with:

$$\alpha^* = \left(-c_1 z_1 + \frac{F}{J} x_1 - \frac{T_g}{J} + \dot{x}_1^* \right) \quad (\text{with } c_1 > 0 \text{ a design parameter}) \quad (14)$$

Indeed, if $\alpha = \alpha^*$ one will have $\dot{z}_1 = -c_1 z_1$ which clearly is asymptotically stable with **respect to the** Lyapunov function:

$$V_1 = 0.5z_1^2 \quad (15)$$

Indeed, one then has:

$$\dot{V}_1 = z_1 \dot{z}_1 = -c_1 z_1^2 < 0 \quad (16)$$

As $\alpha = -(K_M / J)x_2$ is just a virtual control input, one cannot set $\alpha = \alpha^*$. Nevertheless, the above expression of α^* is retained as a first stabilization function and a new error is introduced:

$$z_2 = \alpha - \alpha^* \quad (17)$$

Using (14)-(17), it follows from (13) that the z_1 -dynamics undergoes the following equation:

$$\dot{z}_1 = -c_1 z_1 + z_2 \quad (18)$$

The next step consists in determining the control input u_1 so that the (z_1, z_2) error system is asymptotically stable. First, let us obtain the trajectory of the error z_2 . Deriving z_2 with respect to time and using (17) gives:

$$\dot{z}_2 = -(K_M / J) \dot{x}_2 - \dot{\alpha}^* \quad (19)$$

Using (14) and (11a-b) in (19), one gets:

$$\dot{z}_2 = \chi(x, t) - c_1^2 z_1 + c_1 z_2 + \frac{K_M}{JL_s} u_1 v_{dc} \quad (20)$$

where

$$\chi(x, t) = \frac{K_M}{J} \left(\frac{R_s}{L_s} x_2 + p x_1 x_3 - \frac{K_M}{L_s} x_1 \right) + \left(\frac{F^2}{J^2} x_1 + \frac{FK_M}{J^2} x_2 \right) - \frac{FT_g}{J^2} + \frac{\dot{T}_g}{J} - \dot{x}_1^* \quad (21)$$

The error equations (18) and (20) are given the more compact form:

$$\dot{z}_1 = -c_1 z_1 + z_2 \quad (22a)$$

$$\dot{z}_2 = \chi(x, t) - c_1^2 z_1 + c_1 z_2 + \frac{K_M}{JL_s} u_1 v_{dc} \quad (22b)$$

To determine a stabilizing control law for (22b), let us consider the quadratic Lyapunov function candidate:

$$V_2 = V_1 + 0.5z_2^2 = 0.5z_1^2 + 0.5z_2^2 \quad (23)$$

Using (18), the time derivative of V_2 can be rewritten as:

$$\dot{V}_2 = -c_1 z_1^2 + z_1 z_2 + z_2 \dot{z}_2 \quad (24a)$$

This shows that, for the (z_1, z_2) -system to be globally asymptotically stable, it is sufficient to choose the control u_1 so that:

$$\dot{V}_2 = -c_1 z_1^2 - c_2 z_2^2 \quad (24b)$$

where $c_2 > 0$ is a new design parameter. In view of (24a), equation (24b) is ensured if:

$$\dot{z}_2 = -c_2 z_2 - z_1 \quad (25)$$

Comparing (25) and (22b) yields the following backstepping control law:

$$u_1 = -\frac{JL_s}{3K_M} \left((c_1 + c_2)z_2 - (c_1^2 + 1)z_1 + \chi(x, t) \right) / v_{dc} \quad (26)$$

4.3 d-axis current regulation

The d-axis current x_3 undergoes equation (11c) in which the following quantity **is introduced**:

$$v = p x_2 x_1 - u_2 v_{dc} / L_s \quad (27)$$

As the reference signal i_{dref} is null, it follows that the tracking error $z_3 = x_3 - i_{dref}$ undergoes the equation:

$$\dot{z}_3 = -(R_s / L_s)z_3 + v \quad (28)$$

To get a stabilizing control signal for this first-order system, consider the following quadratic Lyapunov function:

$$V_3 = 0.5 z_3^2 \quad (29a)$$

It is easily checked that, if the virtual control is let to be:

$$v = -(-R_s / L_s + c_3)z_3 \quad (29b)$$

where $c_3 > 0$ (a new design parameter), then:

$$\dot{V}_3 = -c_3 z_3^2 \quad (30)$$

which is negative definite. Furthermore, substituting (29b) in (28), one gets the closed-loop equation:

$$\dot{z}_3 = -c_3 z_3 \quad (31)$$

Now, it is readily observed that the actual control input is obtained substituting (29b) into (27) and solving the resulting equation for u_2 . Doing so, one gets:

$$u_2 = \left(c_3 z_3 - \frac{R_s}{L_s} z_3 + p x_2 x_1 \right) \frac{L_s}{v_{dc}} \quad (32)$$

The control closed loops induced by the speed and d-axis current control laws **thus defined** by (26) and (32) are analyzed in the following proposition.

Proposition 1. Consider the control system consisting of the subsystem (11a-c) and the control laws (26) and (32). The resulting closed-loop system undergoes, in the (z_1, z_2, z_3) -coordinates, the following equation:

$$\begin{pmatrix} \dot{z}_1 \\ \dot{z}_2 \\ \dot{z}_3 \end{pmatrix} = B_1 \begin{pmatrix} z_1 \\ z_2 \\ z_3 \end{pmatrix} \quad \text{with } B_1 = \begin{pmatrix} -c_1 & 1 & 0 \\ -1 & -c_2 & 0 \\ 0 & 0 & -c_3 \end{pmatrix} \quad (33)$$

This equation defines a stable system and the error vector (z_1, z_2, z_3) converges exponentially fast to zero, whatever the initial conditions \square

Proof. Equation (33) is directly obtained from equations (22a), (25) and (31).

It is clear that the matrix B_1 is Hurwitz, implying that the closed loop system (33) is globally exponentially stable. This completes the proof of Proposition 1. \square

4.4 Reactive power and DC voltage controller

In controlling a PFC (**Power Factor Correction?**), the main objective is to obtain a sinusoidal output current and the injection or **extraction of a** desired reactive power in the electric network. The continuous voltage v_{dc} must track a given reference signal v_{dcref} . These objectives lead to two control loops. The first loop ensures the regulation of the DC voltage x_4 and the second ensures the injection of the desired reactive power.

4.4.1 DC voltage loop

Based on equations (11d-e), a first equation involving the control input u_3 will now be designed, using the backstepping technique (Krstic *et al.*, 2002), so that the squared DC-link voltage $x_4 = v_{dc}^2$ tracks well any reference signal $x_4^* \stackrel{def}{=} v_{dcref}^2 > 0$. As the subsystem (11d-e) is of relative degree 2, the design towards that equation is performed in two steps.

Step 1. Let z_4 denote the speed tracking error:

$$z_4 = x_4 - x_4^* \quad (34)$$

In view of (11d), the above error undergoes the following equation:

$$\dot{z}_4 = -\frac{1}{C} E_{nd} x_5 + \beta(x_{i=1\dots 6}, z_{i=1\dots 3}) - \dot{x}_4^* \quad (35)$$

$$\begin{aligned} \beta(x_{i=1\dots 6}, z_{i=1\dots 3}) = & -\frac{1}{C} \left(E_{nq} x_6 + \frac{JL_s}{3K_M} ((c_1 + c_2)z_2 - c_1^2 z_1 + \chi(x, t))x_2 \right. \\ & \left. - L_s (c_3 z_3 - R_s z_3 / L_s + p x_2 x_1)x_3 \right) \end{aligned}$$

In (35), the quantity $\alpha_1 = -E_{nd} x_5 / C$ stands up as a (virtual) control input for the z_4 -dynamics because the actual control input u_3 acts on z_4 indirectly through α_1 . Following the backstepping design technique, the Lyapunov function candidate is considered as: $V_4 = 0.5z_4^2$. Deriving V_4 along the trajectory of (35) yields:

$$\dot{V}_4 = z_4 \dot{z}_4 = -z_4 \left(\frac{1}{C} E_{nd} x_5 - \beta(x, z) + \dot{x}_4^* \right) \quad (36)$$

This suggests for the (virtual control) α_1 the following control law:

$$\alpha_1^* = -c_4 z_4 - \beta(x, z) + \dot{x}_4^* \quad (37)$$

with $c_4 > 0$ a design parameter. Indeed, substituting α_1^* to $\alpha_1 = -E_{nd} x_5 / C$ gives $\dot{V}_4 = -c_4 z_4^2$ which clearly is negative definite in z_4 . As α_1 is just a virtual control input, one can not set $\alpha_1 = \alpha_1^*$. Nevertheless, the above expression of α_1^* is retained and a new error is introduced:

$$z_5 = \alpha_1 - \alpha_1^* \quad (38)$$

Using (37), it follows from (35) that the z_4 -dynamics undergoes the following equation:

$$\dot{z}_4 = -c_4 z_4 + z_5 \quad (39)$$

Step 2. Now, the aim is to make the couple of errors (z_4, z_5) vanish asymptotically. The trajectory of the error z_5 is obtained by time-derivation of (38) i.e.:

$$\dot{z}_5 = -\frac{E_{nd}}{C} \dot{x}_5 + c_4 \dot{z}_4 + \dot{\beta}(x, z) - \dot{x}_4^* \quad (40)$$

Using (39) and (11d-e) in (40) yields:

$$\dot{z}_5 = \beta_1(x_{i=1\dots 6}, z_{i=1\dots 5}) - \frac{E_{nd}}{C L_0} u_3 v_{dc} \quad (41)$$

with

$$\beta_1(x_{i=1\dots 6}, z_{i=1\dots 5}) = c_4 \dot{z}_4 + \hat{\beta}(x, z) - \ddot{x}_4^* + \frac{E_{nd}^2}{C L_0} - \frac{E_{nd}}{C} \omega_n x_6$$

To determine a stabilizing control law for (11d-e), let us consider the quadratic Lyapunov function candidate:

$$V_5 = 0.5 z_4^2 + 0.5 z_5^2 \quad (42a)$$

Using (39)-(41), one gets from (42a) that:

$$\begin{aligned} \dot{V}_5 &= z_4 \dot{z}_4 + z_5 \dot{z}_5 \\ &= -c_4 z_4^2 + z_5 \left(z_4 + \beta_1(x_{i=1\dots 6}, z_{i=1\dots 5}) - \frac{E_{nd}}{C L_0} u_3 v_{dc} \right) \end{aligned} \quad (42b)$$

This suggests for the control variable u_3 the following choice:

$$u_3 = (c_5 z_5 + z_4 + \beta_1(x_{i=1\dots 6}, z_{i=1\dots 5})) \frac{C L_0}{E_{nd} v_{dc}} \quad (43)$$

where $c_5 > 0$ is a new design parameter. Indeed, substituting (43) in (42b) yields:

$$\dot{V}_5 = -c_4 z_4^2 - c_5 z_5^2 < 0 \quad (44)$$

Now, substituting (43) in (41) one obtains the DC voltage closed-loop control system:

$$\dot{z}_4 = -c_4 z_4 + z_5 \quad (45a)$$

$$\dot{z}_5 = -c_5 z_5 - z_4 \quad (45b)$$

Reactive Power loop

Here, the focus is made on the control objective CO3 that involves the reactive power Q_n which is required to track its reference Q_n^* . The electrical reactive power injected in the grid is given by $Q_n = E_{nd} x_6 - E_{nq} x_5$. To harmonize notation throughout this section, the corresponding tracking error is denoted $z_6 = Q_n - Q_n^*$. It follows from (11e-f) that z_6 undergoes the differential equation:

$$\dot{z}_6 = \beta_2(x_5, x_6) + \frac{v_{dc}}{L_0} (E_{nd} u_4 - E_{nq} u_3) \quad (46)$$

with

$$\beta_2(x_5, x_6) = -\omega_n (E_{nd} x_5 + E_{nq} x_6) - \dot{Q}_n^*$$

As the equation (46) is a first order **one**, it can be (globally asymptotically) stabilized using a simple proportional control law:

$$v_{dc} (E_{nd} u_4 - E_{nq} u_3) / L_0 = -c_6 z_6 - \beta_2(x_5, x_6) \quad \text{with } c_6 > 0 \quad (47)$$

Then the control law u_4 is given as:

$$u_4 = (-L_0 (c_6 z_6 + \beta_2(x_5, x_6)) / v_{dc} + E_{nq} u_3) / E_{nd} \quad (48)$$

It can be easily checked that the dynamic of z_6 undergoes the following equation:

$$\dot{z}_6 = -c_6 z_6 \quad (49)$$

The control closed loops induced by the DC voltage and reactive power control laws thus, defined by (43) and (48) are analyzed in the following proposition.

Proposition 2. Consider the control system consisting of the subsystem (11d-f) and the control laws (43) and (48). The resulting closed-loop system undergoes, in the (z_4, z_5, z_6) -coordinates, the following equation:

$$\dot{Z}_2 = B_2 Z_2 \quad \text{with } B_2 = \begin{pmatrix} -c_4 & 1 & 0 \\ -1 & -c_5 & 0 \\ 0 & 0 & -c_6 \end{pmatrix} \quad (50)$$

This equation defines a stable system and the error vector (z_4, z_5, z_6) converges exponentially fast to zero, whatever the initial conditions. \square

Proof : Equation (50) is directly obtained from equations (45a-b) and (49).

It is clear that the matrix B_2 is Hurwitz, implying that the closed loop system (50) is globally exponentially stable. This completes the proof of Proposition 2. \square

Remarks 2. a) The generator speed and the d-component of its stator current both converge to their respective references because the errors (z_1, z_3) converge to **zero**, as a result of Proposition 1.

b) Proposition 2 also demonstrates that tracking objectives are achieved for the DC-link squared voltage $x_4 = \bar{v}_{dc}^2$ and the reactive power $Q_n = E_{nd} x_6 - E_{nq} x_5$. \square

5. OUTPUT FEEDBACK NONLINEAR CONTROLLER DESIGN

The controller developed in section 4 has been formally shown to achieve all control objectives listed in subsection 4.1. The point is that **this** controller was designed using the d-q model which necessitates online measurements of several state variables including the rotor position. **As there** are no cheap and reliable sensors of these variables, the above controller will remain useless. So, an observer is

developed providing accurate estimates of the non-measurement variables. The aim of the present section is to design an observer and use it to build up an output feedback controller that does not need measuring the not sensed variables. (**à verifier!**)

5.1 Modeling of the PMS Generator in the $\alpha\beta$ -frame

Because the rotor position is **not supposed to** be available, the PMS Generator model is presently considered in the $\alpha\beta$ -frame which is **more** suitable for observer design (whereas **the** dq-frame is generally used for its simplicity in control design). According to (Muhammad .H 2001), the PMSG model, in the $\alpha\beta$ -coordinates, is given by:

$$\dot{i}_{s\alpha} = -a_1 R_s i_{s\alpha} + a_2 \omega \phi_{r\beta} - a_3 u_{s\alpha} \quad (51a)$$

$$\dot{i}_{s\beta} = -a_1 R_s i_{s\beta} - a_2 \omega \phi_{r\alpha} - a_3 u_{s\beta} \quad (51b)$$

$$\dot{\phi}_{r\alpha} = -p \omega \phi_{r\beta} \quad (51c)$$

$$\dot{\phi}_{r\beta} = p \omega \phi_{r\alpha} \quad (51d)$$

$$\dot{\omega} = -b_1 (\phi_{r\alpha} i_{s\beta} - \phi_{r\beta} i_{s\alpha}) - b_2 \omega + b_3 T_g \quad (51e)$$

where:

$i_{s\alpha}, i_{s\beta}$ denote the stator currents

$\phi_{r\alpha}, \phi_{r\beta}$, designate the rotor fluxes

$u_{s\alpha}, u_{s\beta}$, are the stator voltages

ω, T_g are the angular rotor speed and load torque, respectively.

The subscripts s and r refer to the stator and rotor, respectively. The parameters a_1, a_2, a_3, b_1, b_2 and b_3 are defined by:

$$a_1 = 1/L_s, \quad a_2 = p/L_s, \quad b_1 = 1.5p/J, \quad b_2 = F/J, \quad b_3 = 1/J.$$

Our objective is to design an observer that provides estimates of the state variable $\phi_{r\alpha}, \phi_{r\beta}, \omega, R_s$ and T_g such that the estimation errors converge to zero. The stator voltage and stator current are assumed to be available. Note that, once flux estimates $(\hat{\phi}_{r\alpha}, \hat{\phi}_{r\beta})$ become available, the rotor position can be obtained as follows:

$$\hat{\theta} = \frac{1}{p} \tan^{-1} \left(\frac{\hat{\phi}_{r\beta}}{\hat{\phi}_{r\alpha}} \right) \quad (52)$$

Assume **that** the load torque value and stator resistor are unknown but constant and **that** their upper bounds are available. **Then, they satisfy** the equations:

$$\dot{T}_g \approx 0; \dot{R}_s \approx 0 \quad (53)$$

The extended PMS Generator model, consisting of (51a-e) and (53), can be seen as an interconnection between two subsystems, denoted by Σ_1 and Σ_2 with:

$$\Sigma_1 \begin{cases} \dot{X}_1 = A_1(X_2, y) X_1 + G_1(X_2, y, u) + \Phi T_g \\ y_1 = C_1 X_1 \end{cases} \quad (54)$$

$$\Sigma_2 \begin{cases} \dot{X}_2 = A_2(X_1) X_2 + G_2(u) \\ y_2 = C_2 X_2 \end{cases} \quad (55)$$

where:

$$A_1(X_2, y) = \begin{bmatrix} 0 & a_2 \phi_{s\beta} & -a_1 i_{s\alpha} \\ 0 & -b_2 & 0 \\ 0 & 0 & 0 \end{bmatrix}; A_2(X_1) = \begin{bmatrix} -a_1 R_s & -a_2 \omega & 0 \\ 0 & 0 & -p \omega \\ 0 & p \omega & 0 \end{bmatrix} \quad (56a)$$

$$G_1(X_2, y, u) = \begin{bmatrix} -a_1 u_{s\alpha} \\ -b_1 (\phi_{r\alpha} i_{s\beta} - \phi_{r\beta} i_{s\alpha}) \\ 0 \end{bmatrix}; G_2(u) = \begin{bmatrix} -a_1 u_{s\beta} \\ 0 \\ 0 \end{bmatrix} \quad (56b)$$

$$\Phi = [0 \quad b_3 \quad 0]^T; C_1 = C_2 = [1 \quad 0 \quad 0] \quad (56c)$$

$$X_1 = [i_{s\alpha} \quad \omega \quad R_s]^T; X_2 = [i_{s\beta} \quad \phi_{r\alpha} \quad \phi_{r\beta}]^T \quad (56d)$$

Obviously $u = [u_{s\alpha} \quad u_{s\beta}]^T$ and $y = [y_1 \quad y_2]^T = [i_{s\alpha} \quad i_{s\beta}]^T$ are the control input and measure output vectors of the PMS Generator.

5.2 Adaptive observer design

The design strategy consists in synthesizing separately an adaptive observer for each one of the subsystems (54) and (55), according to the methodology of (Besancon *et al.*, 1998) for instance. When focusing on one subsystem, the state of the other one is supposed to be available. The global adaptive observer (that applies to the whole sensorless PMS Generator) is simply obtained by combining the separately designed sub-observers. An input persistency property (Besançon *et al.*, 2006) (that is strongly linked to observability properties of the involved subsystems) is required to guarantee that both the sub-observers and the resulting interconnected one work well, which is stated by the following assumption:

A1. The pair (X_2, y) and the vector X_1 are bounded persistently exciting inputs for subsystems (54) and (55) respectively, according to the definition of (Besançon et al., 1996).

A2. The PMS Generator stays in a physical operation domain, denoted by \wp defined as follows:

$$\wp = \left\{ X \in \mathbb{R}^6 \mid |\phi_{r\alpha}| \leq \Phi^{MAX}, |\phi_{r\beta}| \leq \Phi^{MAX}, |i_{s\alpha}| \leq I^{MAX}, |i_{s\beta}| \leq I^{MAX}, |\omega| \leq \omega^{MAX}, |T_g| \leq T_g^{MAX} \right\}$$

where $X = [\phi_{r\alpha} \ \phi_{r\beta} \ i_{s\alpha} \ i_{s\beta} \ \omega \ T_g]^T$ denotes the whole state vector and $(\Phi^{MAX}, I^{MAX}, \omega^{MAX}, T_g^{MAX})$ are the maximal values that the real variables (i.e. fluxes, currents, speed and load torque) can physically take.

Remark 3. 1) Roughly, Assumption A1 means that the input excites the system sufficiently so that its observability is guaranteed. In particular, it entails non-vanishing rotor speed.

2) A direct consequence of Assumption A2 and definitions of A_1, A_2, G_1 is that:

- i) $A_1(X_2, y)$ is globally Lipschitz w.r.t X_2 uniformly in y
- ii) $A_2(X_1)$ is globally Lipschitz w.r.t X_1
- iii) $G_1(X_2, y, u)$ is globally Lipschitz w.r.t X_2 uniformly in y, u .

Based on the above assumptions, the following observer is obtained by interconnecting (adaptive) Kalman-like sub-observers designed as in (e.g. (Zhang .Q et al., 2003) or (Besançon G. et al., 2006)) for subsystems (54) and (55):

$$\begin{aligned} \dot{\hat{X}}_1 &= A_1(\hat{X}_2, y) \hat{X}_1 + G_1(\hat{X}_2, y, u) + \Phi \hat{T}_g \\ &\quad + [\lambda \Lambda S_2^{-1} \Lambda^T + \lambda S_1^{-1}] C_1^T (y_1 - C_1 \hat{X}_1) \end{aligned} \quad (57a)$$

$$\dot{\hat{T}}_g = \lambda S_2^{-1} \Lambda^T C_1^T (y_1 - C_1 \hat{X}_1) \quad (57b)$$

$$\dot{S}_1 = -\theta_1 S_1 - A_1^T(\hat{X}_2, y) S_1 - S_1 A_1(\hat{X}_2, y) + C_1^T C_1 \quad (57c)$$

$$\dot{S}_2 = -\theta_2 S_2 + \Lambda C_1^T C_1 \Lambda^T \quad (57d)$$

$$\dot{\Lambda} = \left(A_1(\hat{X}_1, \hat{X}_2) - \lambda S_1^{-1} C_1^T C_1 \right) \Lambda + \Phi \quad (57e)$$

$$\dot{\hat{X}}_2 = A_2(\hat{X}_1) \hat{X}_2 + G_2(u) + S_3^{-1} C_2^T (y_2 - C_2 \hat{X}_2) \quad (58a)$$

$$\dot{S}_3 = -\theta_3 S_3 - A_2^T(\hat{X}_1) S_3 - S_3 A_2(\hat{X}_1) + C_2^T C_2 \quad (58b)$$

where:

$$\hat{X}_1 = [\hat{i}_{s\alpha} \ \hat{\omega} \ \hat{R}_s]^T, \quad \hat{X}_2 = [\hat{i}_{s\beta} \ \hat{\phi}_{r\alpha} \ \hat{\phi}_{r\beta}]^T \text{ are the state estimates.}$$

. θ_1 , θ_2 , θ_3 and λ are positive design parameters for the observer.

Remark 4. It is known that, if (\hat{X}_2, y) and \hat{X}_1 satisfy the persistent excitation condition (as in assumption A1) and if the estimates in the above observer remain bounded as in Assumption A2 then, the solutions S_1 , S_2 and S_3 of equations (57c-d) and (58b) are symmetric positive definite matrices with strictly positive upper and lower bounds. In addition, with similar arguments as in e.g. (Besançon *et al.*, 2004), it can be checked that this excitation condition can indeed be inherited from assumption A1 if the parameters θ_1 , θ_2 and θ_3 are large enough.

5.3 Observer convergence

In this section, we study the convergence of the proposed observer (57a-e)-(58a-b) on the basis of the above remarks. To that end, let us introduce the estimation errors:

$$e'_1 = X_1 - \hat{X}_1; e_2 = T_g - \hat{T}_g; e_3 = X_2 - \hat{X}_2 \quad (59)$$

Then, it follows from (54)-(55) and (57)-(58) that these errors undergo the following equations:

$$\begin{aligned} \dot{e}'_1 = & A_1(X_2, y) X_1 - A_1(\hat{X}_2, y) \hat{X}_1 + G_1(X_2, y, u) - G_1(\hat{X}_2, y, u) \\ & + \Phi e_2 + [\lambda \Lambda S_2^{-1} \Lambda^T + \lambda S_1^{-1}] C_1^T C_1 e'_1 \end{aligned} \quad (60a)$$

$$\dot{e}_2 = -\lambda S_2^{-1} \Lambda^T C_1^T C_1 e'_1 \quad (60b)$$

$$\dot{e}_3 = A_2(X_1) X_2 - A_2(\hat{X}_1) \hat{X}_2 - S_3^{-1} C_2^T C_2 e_3 \quad (60c)$$

Introducing the combined error $e_1 = e'_1 - \Lambda e_2$, one readily gets: $\dot{e}_1 = \dot{e}'_1 - \dot{\Lambda} e_2 - \Lambda \dot{e}_2$. Using (60a-c) and (57a-e), one has:

$$\begin{aligned} \dot{e}_1 = & [A_1(\hat{X}_2, y) - \lambda S_1^{-1} C_1^T C_1] e_1 + [A_1(X_2, y) - A_1(\hat{X}_2, y)] X_1 \\ & + [G_1(X_2, y, u) - G_1(\hat{X}_2, y, u)] \end{aligned} \quad (61a)$$

$$\dot{e}_2 = -\lambda S_2^{-1} \Lambda^T C_1^T C_1 (e_1 + \Lambda e_2) \quad (61b)$$

$$\dot{e}_3 = [A_2(\hat{X}_1) - S_3^{-1} C_2^T C_2] e_3 + [A_2(X_1) - A_2(\hat{X}_1)] X_2 \quad (61c)$$

From this error system, one can state the following:

Proposition 3: Consider the PMS Generator represented by its combined model (54)-(55) subject to Assumption A1-A2. Consider the interconnected observer described by (57)-(58) restricted to the domain of operation of the system. Let the observer gains, θ_1 , θ_2 , θ_3 and λ , be chosen large enough so that the following inequalities hold:

$$\delta_1 \stackrel{def}{=} (\theta_1 - \mu_1 \nu_1 - \mu_2 \nu_2) > 0 \quad (62a)$$

$$\delta_2 \stackrel{def}{=} \theta_2 - \frac{\mu_1}{\nu_1} > 0 \quad (62b)$$

$$\delta_3 = \theta_3 - \frac{\mu_2}{\nu_2} > 0 \quad (62c)$$

with

$$\mu_1 = \frac{\lambda k_5}{\sqrt{\lambda_{\min}(S_1)}\sqrt{\lambda_{\min}(S_2)}} ; \mu_2 = \frac{k_3 k_2 k_{21} + k_1 k_4 k_{11} + k_1 k_{13}}{\sqrt{\lambda_{\min}(S_1)}\sqrt{\lambda_{\min}(S_3)}} \quad (63)$$

where $\lambda_{\min}(S_i)$ ($i=1,2,3$) is the minimal eigenvalue of S_i , $\nu_1, \nu_2 \in \mathbb{R}^{*2}$ are arbitrary, and k_i are positive real constants defined in the proof. Then, the observer is exponentially stable, in the sense that the error vector $[e_1 \ e_2 \ e_3]$, defined by (59) and satisfying (61a)-(61c), vanishes exponentially fast, whatever the initial conditions, with a convergence rate fixed by the parameter $\delta = \min(\delta_1, \delta_2, \delta_3)$ \square

Proof. From assumption A1 and Remark 4, the matrices S_1, S_2, S_3 , of equations (57)-(58), are used to build up a Lyapunov function candidate in the following way:

$$W_0 = W_1 + W_2 + W_3$$

where $W_1 = e_1^T S_1 e_1$, $W_2 = e_2^T S_2 e_2$ and $W_3 = e_3^T S_3 e_3$. Then using (57)-(58) and (61), one gets:

$$\begin{aligned} \dot{W}_0 = & e_1^T \{-\theta_1 S_1 - (2\lambda - 1) C_1^T C_1\} e_1 + e_2^T \{-\theta_2 S_2 - (2\lambda - 1) \Lambda C_1^T C_1 \Lambda\} e_2 \\ & + e_3^T \{-\theta_3 S_3 - C_2^T C_2\} e_3 - 2\lambda e_2^T \Lambda^T C_1^T C_1 e_1 \\ & + 2e_1^T S_1 \left\{ A_1(X_2, y) - A_1(\hat{X}_2, y) \right\} X_1 + \left\{ G_1(X_2, y, u) - G_1(\hat{X}_2, y, u) \right\} \\ & + 2e_3^T S_3 \left\{ A_2(X_1) - A_2(\hat{X}_1) \right\} X_2 \end{aligned} \quad (64)$$

Using again Remark 4, one can have:

$$\|S_1\| \leq k_1, \|S_3\| \leq k_3, \text{ as well as } \|\Lambda^T C_1^T C_1\| \leq k_5 \quad (65)$$

for some real constants $k_i > 0$ ($i=1,3,5$). Now, referring to Remark 3 and Assumption A2, let us also define notations for bounds on the state vectors and Lipschitz constants as follows:

$$\|X_2\| \leq k_2 ; \|X_1\| \leq k_4$$

$$\|A_1(X_2, y) - A_1(\hat{X}_2, y)\| \leq k_{11} \|e_3\| ; \|G_1(X_2, y, u) - G_1(\hat{X}_2, y, u)\| \leq k_{13} \|e_3\|$$

$$\|A_2(X_1) - A_2(\hat{X}_1)\| \leq k_{21} \|e_1\|; \quad (66)$$

Letting in addition $\|e_i\|_{S_i}^2 \stackrel{def}{=} e_i^T S_i e_i$ ($i = 1, 2, 3$), one has:

$$\lambda_{\min}(S_i) \|e_i\|^2 \leq \|e_i\|_{S_i}^2 \leq \lambda_{\max}(S_i) \|e_i\|^2 \quad (67)$$

where $\lambda_{\min}(S_i)$ and $\lambda_{\max}(S_i)$ are the **minimal and** maximal eigenvalues of S_i .

Coming back to (64) and using (65)-(66), one then gets:

$$\begin{aligned} \dot{W}_0 \leq & -\theta_1 e_1^T S_1 e_1 - \theta_2 e_2^T S_2 e_2 - \theta_3 e_3^T S_3 e_3 \\ & + 2\lambda k_5 \|e_1\| \|e_2\| + 2(k_3 k_2 k_{21} + k_1 k_4 k_{11} + k_1 k_{13}) \|e_1\| \|e_3\| \end{aligned} \quad (68)$$

Using (67) and notation (63), inequality (68) implies:

$$\dot{W}_0 \leq -\theta_1 W_1 - \theta_2 W_2 - \theta_3 W_3 + 2\mu_1 \sqrt{W_1} \sqrt{W_2} + 2\mu_2 \sqrt{W_1} \sqrt{W_3} \quad (69)$$

Remembering that the following inequalities hold for any $v_1, v_2 \in \mathbb{R}^{*2}$

$$\sqrt{W_1} \sqrt{W_2} \leq \frac{v_1}{2} W_1 + \frac{1}{2v_1} W_2 \quad (80a)$$

$$\sqrt{W_1} \sqrt{W_3} \leq \frac{v_2}{2} W_1 + \frac{1}{2v_2} W_3 \quad (80b)$$

Inequality (69) implies:

$$\dot{W}_0 \leq -(\theta_1 - \mu_1 v_1 - \mu_2 v_2) W_1 - (\theta_2 - \mu_1 / v_1) W_2 - (\theta_3 - \mu_2 / v_2) W_3 \quad (81)$$

which gives

$$\dot{W}_0 \leq -\delta W_0 \quad (82)$$

with $\delta = \min(\delta_1, \delta_2, \delta_3)$ and

$$\delta_1 = \theta_1 - \mu_1 v_1 - \mu_2 v_2; \delta_2 = \theta_2 - \mu_1 / v_1; \delta_3 = \theta_3 - \mu_2 / v_2 \quad (83)$$

In view of (83), δ can be made positive when the gains θ_i ($i = 1, 2, 3$) are chosen so that inequalities

(62a-c) hold. In that case, one gets from (82) that $W_0 = \sum_{i=1}^3 \|e_i\|_{S_i}^2$ vanishes exponentially fast, which

completes the proof of the proposition 3 by standard Lyapunov arguments \square

5.4 Output feedback controller

Following the output-feedback control architecture of Fig. 2, the (not accessible to measurements) mechanical states, involved in the control laws (43) and (48), are now replaced by their online estimates provided by the observer (57)-(58). Doing so, the output feedback controller turns out to be defined by the following control laws:

$$u_1 = -\frac{JL_s}{3K_M} \left((c_1 + c_2)\varepsilon_2 - c_1^2 \varepsilon_1 + \chi(\hat{x}_{i=1,2,3}, t) \right) / v_{dc} \quad (84a)$$

$$u_2 = \left(c_3 \varepsilon_3 - \frac{R_s}{L_s} \varepsilon_3 + p \hat{x}_2 \hat{x}_1 \right) \frac{L_s}{v_{dc}} \quad (84b)$$

$$u_3 = \left(c_5 z_5 + \beta_1(\hat{x}_{i=1\dots 3}, x_{i=4\dots 5}, \varepsilon_{i=1\dots 3} z_{i=4\dots 5}) \right) \frac{C L_0}{E_{nd} v_{dc}} \quad (84c)$$

$$u_4 = \left(-L_0 (c_6 z_6 + \beta_2(x_5, x_6)) / v_{dc} + E_{nq} u_3 \right) / E_{nd} \quad (84d)$$

6. SIMULATION

6.1 Simulation and implementation considerations

a) Simulation of the wind energy conversion (WEC) system

The global control system described by Fig. 6 is simulated using the Matlab/Simulink (V. R2010a), operating under Windows Vista. The controlled part is a WEC system including the synchronous aero-generator and the associated AC/DC/AC power converters with the numerical values of Table 1. All involved electro-mechanical components are simulated, making use of the SimPower toolbox which offers a quite accurate representation of power elements. In particular, the nonlinearity of static characteristics is accounted for in the toolbox simulated models. Presently, the ODE14x (extrapolation) solver is selected with fixed step time 10 μ s.

b) Implementation of the output-feedback controller

The output-feedback controller, including the control laws (84a-d) and observers (57-58), is also implemented using Matlab/Simulink resources. The same equation solver as previously is selected. As a matter of fact, the control performances depend, among others, on the numerical values given to the controller/observer parameters i.e. $c_1, \dots, c_6, \theta_1, \dots, \theta_3$. The point is that there is no systematic way, especially in nonlinear control, to make suitable choices for these values. Therefore, the usual practice consists in proceeding with a try-error approach, leading to the following numerical values:

$$c_1 = 9; \quad c_2 = 3.10^4; \quad c_3 = 1.10^3; \quad c_4 = 40; \quad c_5 = 3.10^4; \quad c_6 = 2.10^4$$

$$d = 2.5; \quad \theta_1 = 230; \quad \theta_2 = 150; \quad \theta_3 = 560;$$

When it comes to practical implementation, one should further select a data sampling-time and **use a DSP Card**. Sampling-time selection is **performed, taking** into account the controlled system dynamics. Presently, the electrical dynamics **are the fastest and so impose the** value of the sampling time. From Table 1, the electrical time-constant is $L_s/R_s=58.3\text{ms}$. Accordingly, a suitable value of the data sampling-time would be 1ms. Owing DSP card, sophisticated versions exist nowadays (e.g. TEXAS INSTRUMENT card TMS320C6711) making possible to upload the controller Simulink scheme and execute it in real-time in accordance with a so small sampling time. Finally, recall that the **sensorless** feature of the proposed output-feedback controller entails **only the use** of electrical (current/voltage) **sensors, known** to be quite reliable and cheap. Examples of these are the ABB current **sensors** ES500BR and voltage sensor VS100B, based **on the Hall** Effect technology

c) Simulation protocols

Two simulation protocols are **described and performed** in the sequel:

- The case of the state feedback controller, where all states are assumed available, is considered in Subsection 6.3. The controller defined by (26, 32, 43, 48) is simulated.
- The case of output-feedback controller defined by (84a-d), where the unavailable states are online estimated, is evaluated in Subsection 6.4.

The controller performances will be evaluated in presence of (time-varying) wind velocity (then rotor speed reference ω_{ref} and load torque T_g). According to the control design (Section 4), the remaining closed loop inputs are kept constant, namely $i_{sdref} = 0\text{ A}$, $V_{dcref} = 700\text{ V}$ and $Q_{nref} = 0\text{ VAR}$.

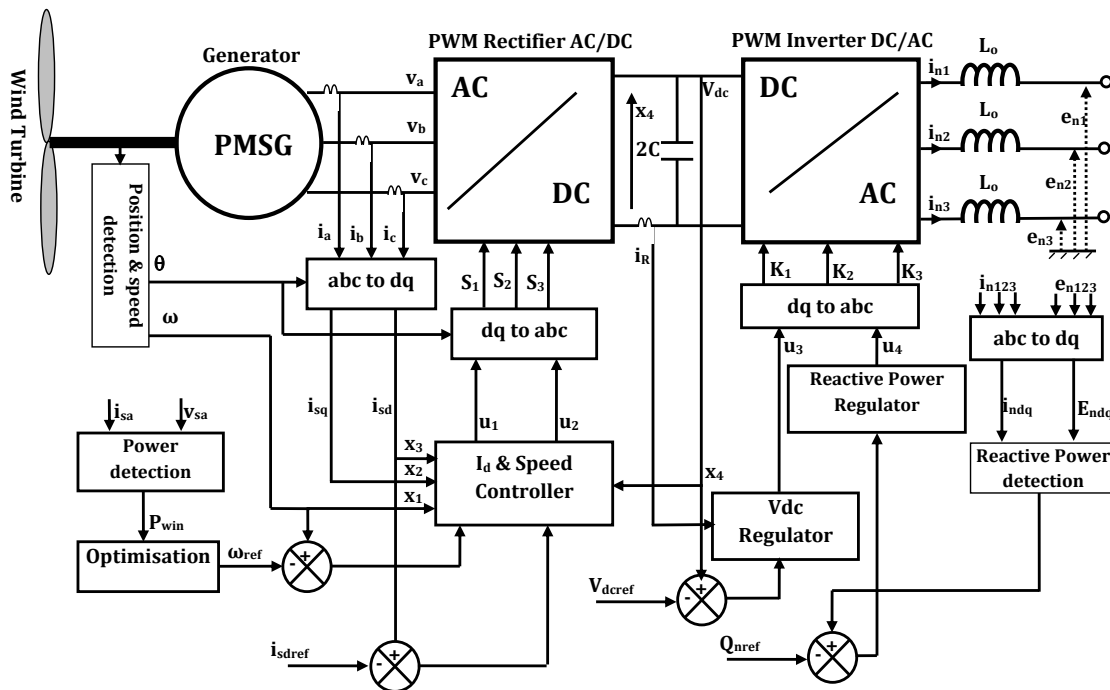


Fig. 6. Control system including AC/DC/AC converters and a synchronous aero-generator.

TABLE 1. WEC System characteristics

Supply network voltage : tri-phase	380V- 220V/50Hz
AC/DC/AC converters	$L_o = 10 \text{ mH}$; $C = 47 \text{ mF}$; modulation frequency 10 KHz .
Synchronous generator	nominal power 50 kW ; $R_s=0.3\Omega$; $L_s=17.5\text{mH}$, $\varphi_r = 0.876 \text{ Wb}$; $J=8.22\text{Nm/rd/s}^2$, $F= 1.417 \text{ Nm/rd/s}$; $p=4$.

TABLE 2. Coefficients of polynomial function (2)

$$h_0 = 1.610^{-7}, h_1 = 0, h_2 = -2.4910^{-9}, h_3 = 0.0016, h_4 = 21.1984$$

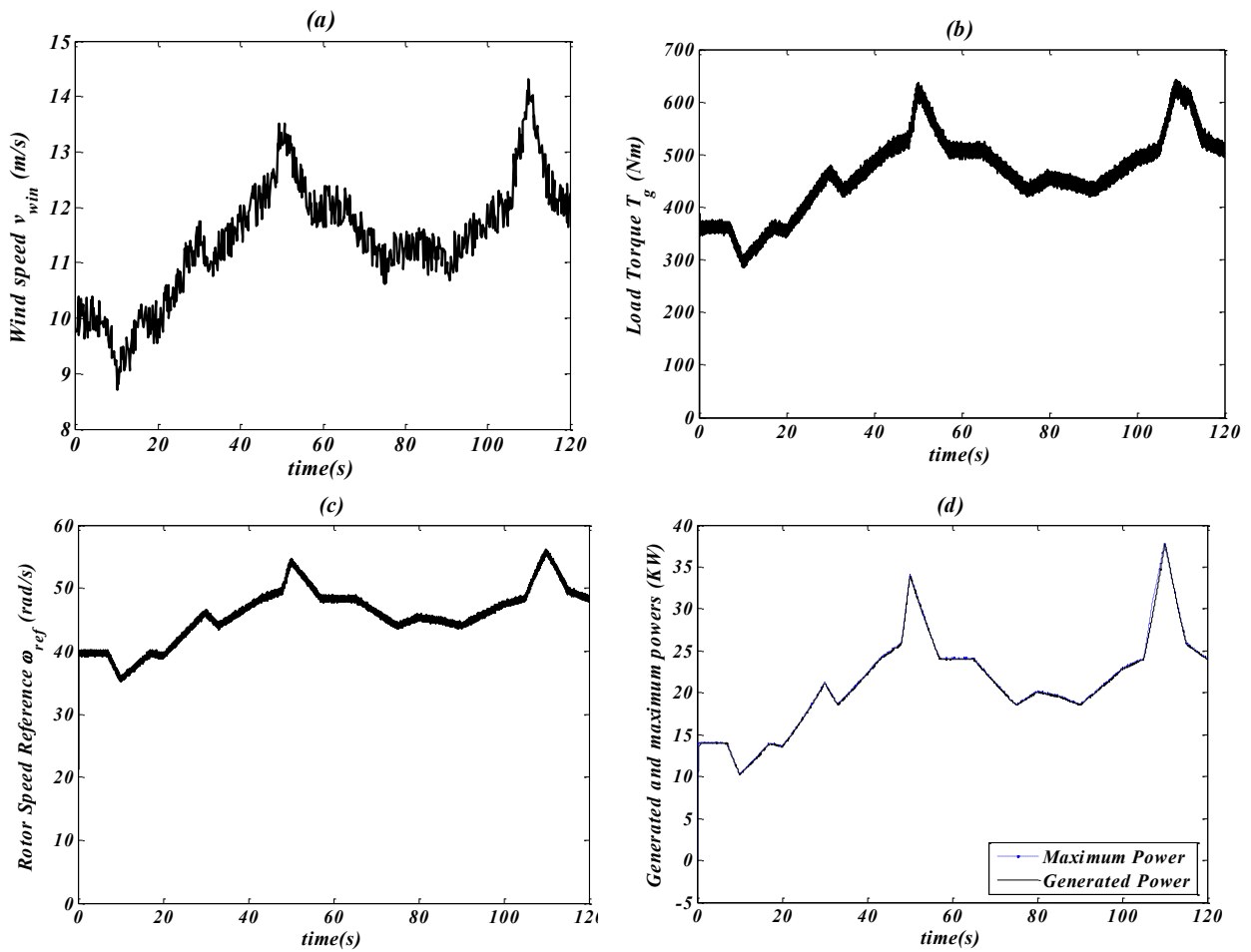


Fig. 7. a) Wind velocity profile v_{win} (m/s); b) PMSG load torque T_g (Nm); c) Optimized Rotor Speed reference ω_{ref} (rad/s); d) Extracted and Maximum Powers P_{win} (Kw).

6.2 Construction of the speed reference optimizer

Fig 7a shows the considered wind speed profile. It is seen that wind speed is noisy and varies between 8.5 and 14.2 m/s, over the time interval [0,120s]. In response to this wind speed profile, the turbine generates the rotor torque shown in Fig. 7b. Then, the speed optimizer designed in Section 2 generates the rotor speed reference shown in Fig. 7c. Then, Fig. 7d shows the power extracted by the

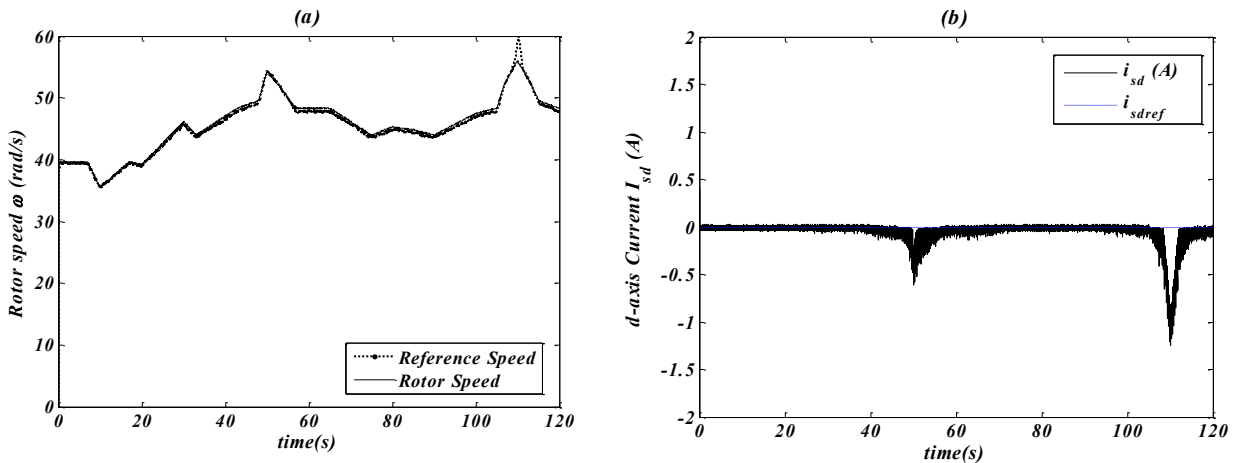
synchronous wind generator. Referring to the turbine power characteristics (Fig. 2 and Fig. 4), the extracted active power is optimal for each involved wind speed value.

The polynomial approximation (2) of the characteristic of Fig. 4, is presently given the order 4. The corresponding polynomial coefficients h_i ($i = 0 \dots 4$) have the numerical values of Table 2.

6.3 Illustration of the state feedback controller performances

In this subsection, all states are **considered as available**. The controller performances are illustrated by the curves of Fig. 8. Figs 8a and 8b show that the machine speed, $x_1 = \omega$ and the d-component of the stator current, $x_3 = i_{sd}$ perfectly converge to their respective references. The tracking quality is quite satisfactory as the response time (after each change in the wind speed) is small. The curves (c) and (d) respectively show the reactive power injected in the three-phase network Q_n (equals zero) and the line current i_{n1} .

It is seen that the current amplitude changes whenever the wind velocity varies (compare with Fig. 8a). The current remains (almost) all time sinusoidal and in phase with the network voltage complying with the PFC requirement. This is particularly demonstrated by Fig 8j which shows that the input control u_3 take a constant **value**, after a small transient time, with the reactive power Q_n equals zero. Fig. 8g shows the electric power P_n , produced by the machine and transferred to the grid through the tri-phase inverter. Fig. 8f shows that the DC-link voltage v_{dc} is tightly regulated: it quickly settles down after each change in the wind speed.



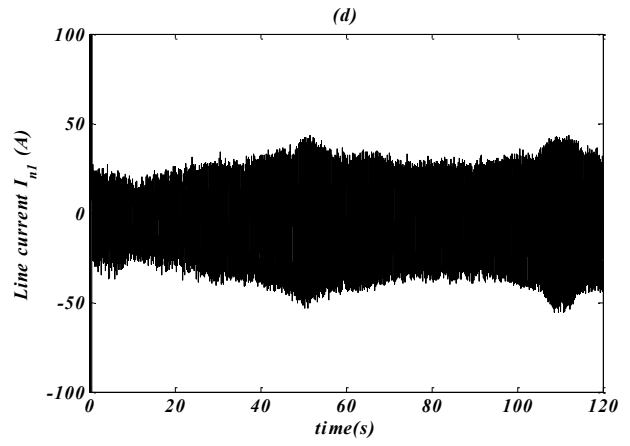
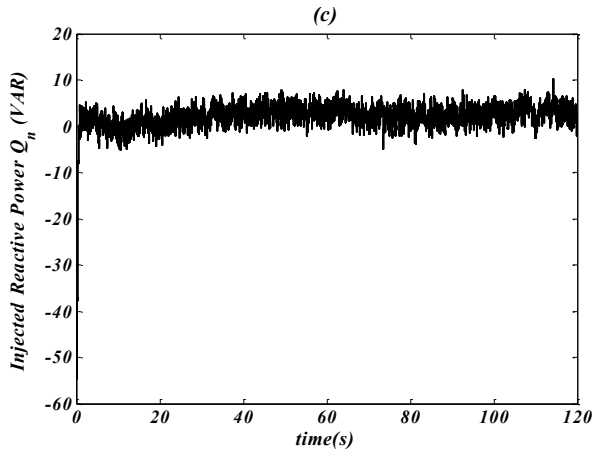
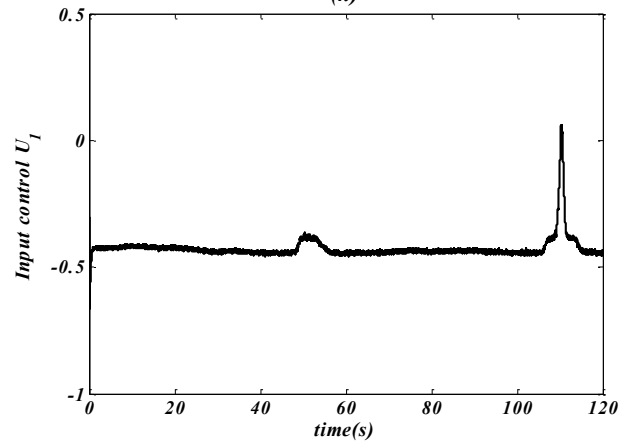
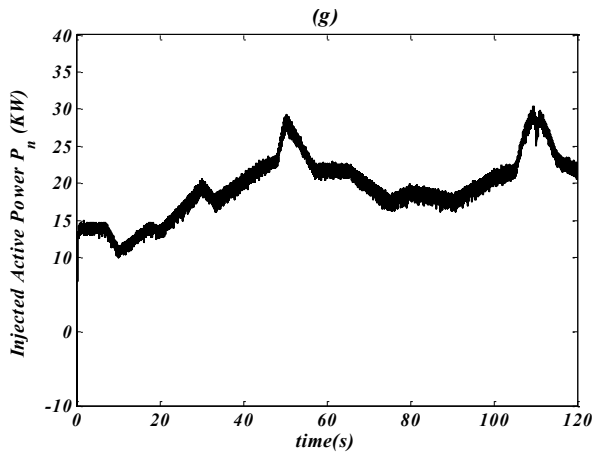
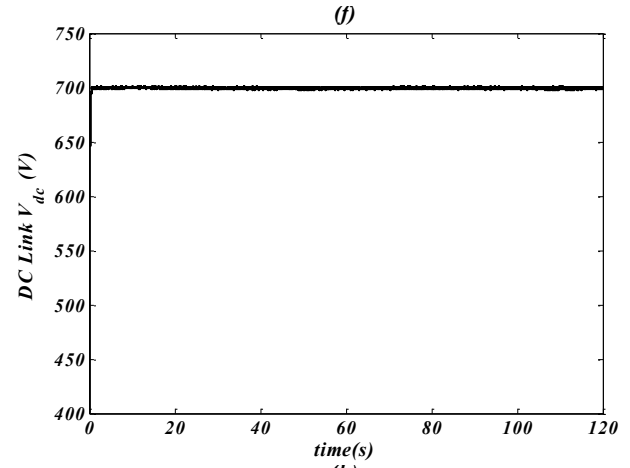
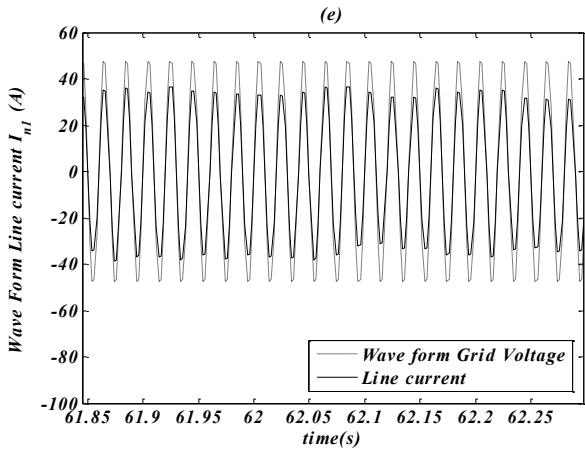


Fig. 8. (part 1). Tracking performances of the controller defined by (26), (32), (43) and (48) in response to the varying wind speed of Fig. 7a.



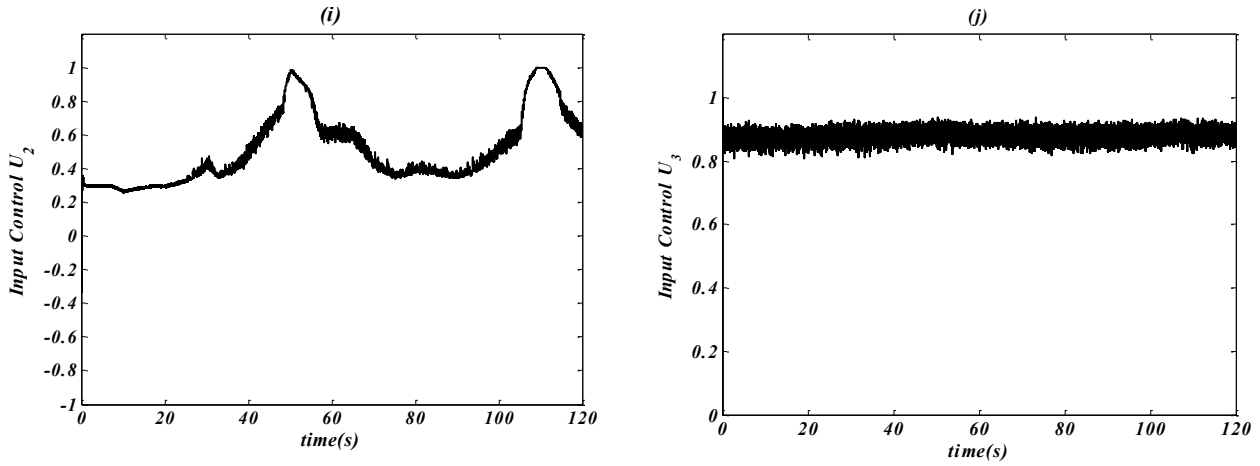


Fig. 8. (part 2). Tracking performances of the controller defined by (26), (32), (43) and (48) in response to the varying wind speed of Fig. 7a.

6.4 Illustration of the output feedback controller performances

In the following **simulations**, the mechanical states (rotor speed ω , rotor position θ and load torque T_g) and the stator resistor R_s are no longer available. They are estimated by the observer (57)-(58). The control laws (84) are used to control the WEC system. The output feedback controller performances are illustrated by Fig 9. The curves (a), (b), (c) and (e) show that the tracking quality of the proposed controller/observer is quite satisfactory for all desired references. The disturbing effect, due to the **wind** velocity change, is also well compensated for by the control laws.

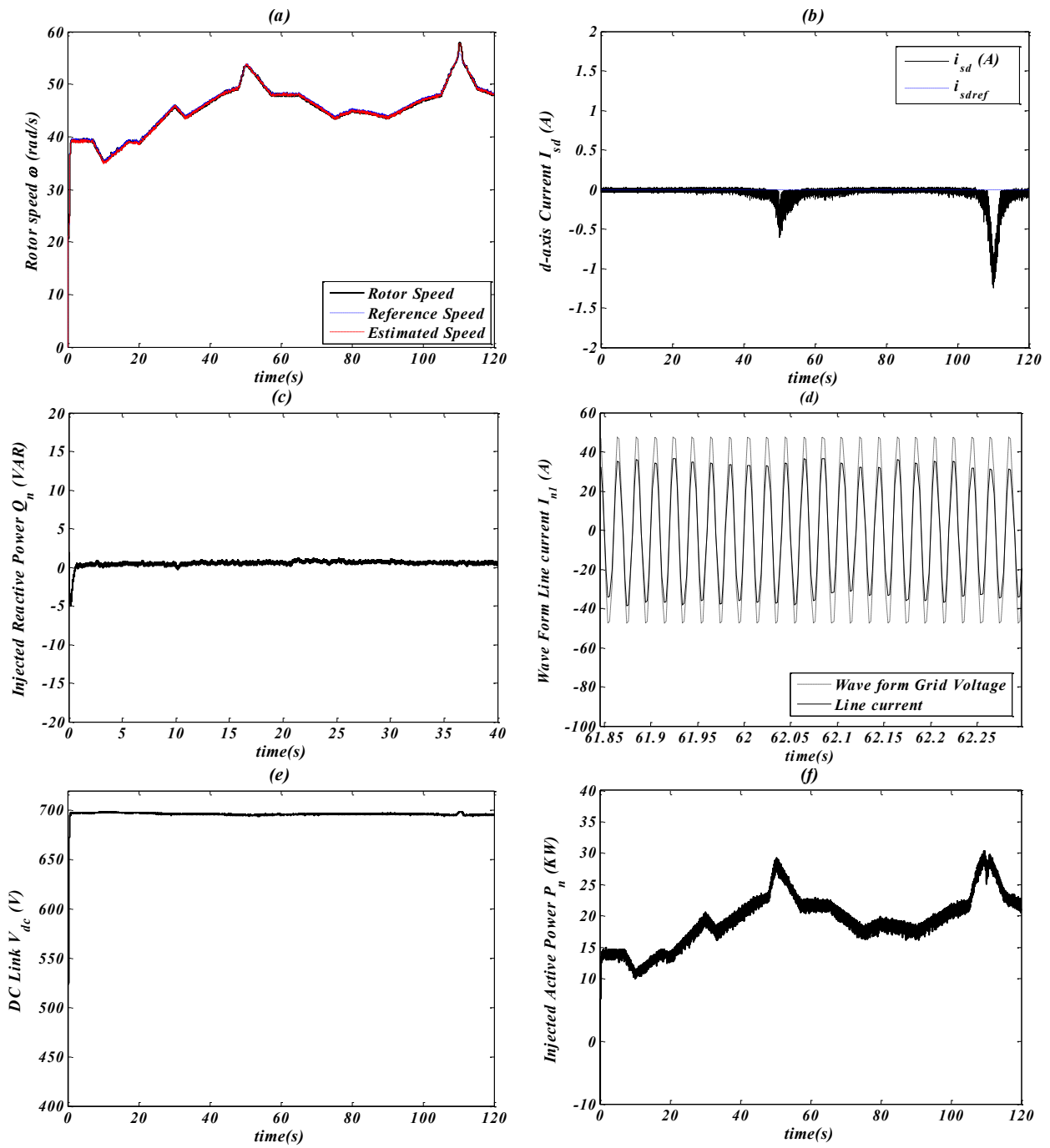


Fig. 9. (part 1). Tracking performances of the controller defined by (84a)-(84d) in response to the varying wind speed of Fig. 7a.

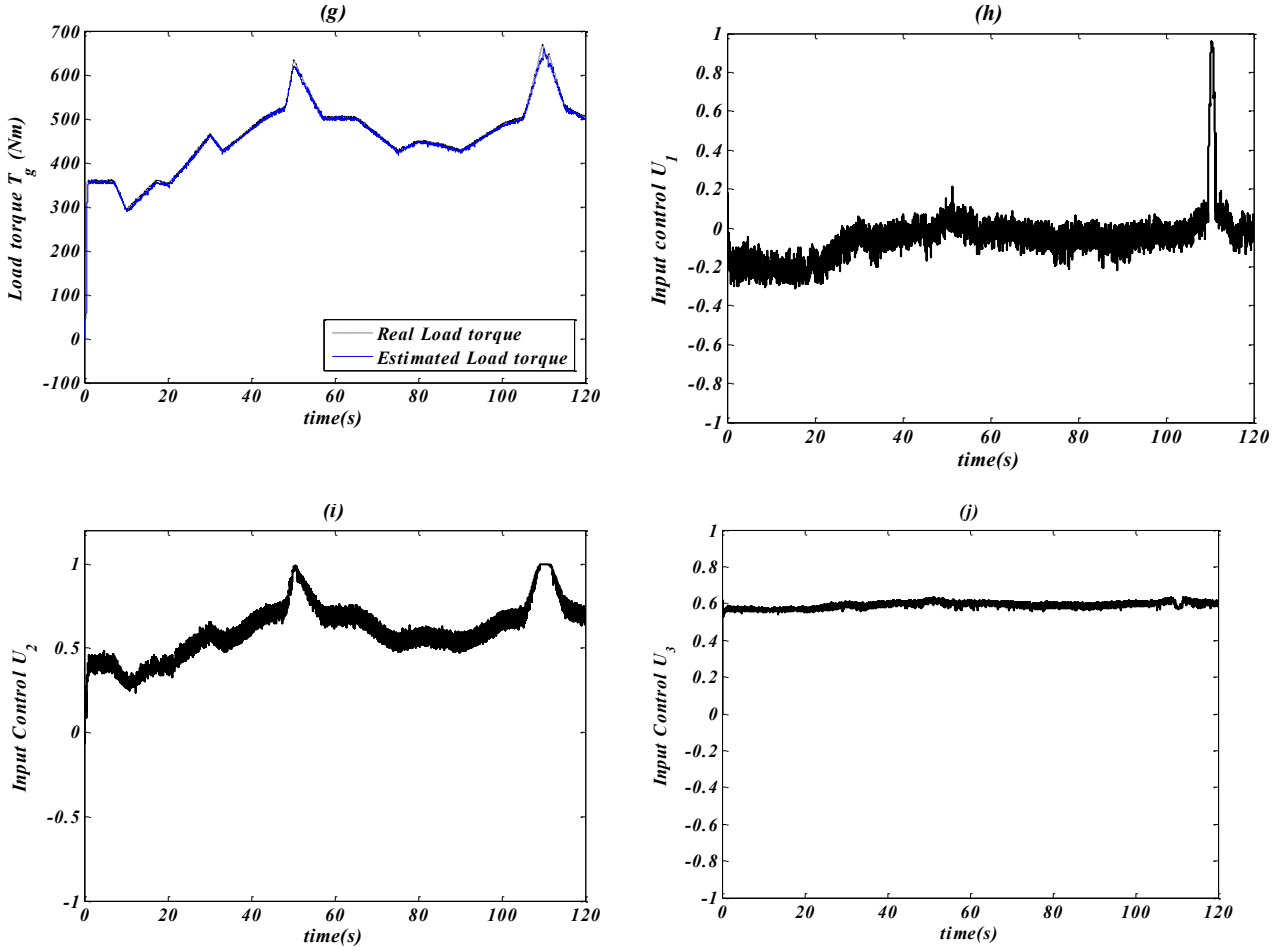


Fig. 9. (part 2). Tracking performances of the controller defined by (84a-d) in response to the varying wind speed of Fig. 7a.

7. CONCLUSION

We have addressed the problem of **sensorless** control of the wind energy conversion system. Maximum wind energy extraction is achieved by running the wind turbine generator in variable-speed mode without using the sensor wind velocity. The controlled system is an association including wind turbine, permanent magnet synchronous aero-generator and AC/DC/AC converter connected with a tri-phase **network**. The system dynamics have been described by the averaged sixth order nonlinear state-space model (11a-f). First, the **multi-loops nonlinear controller, defined** by the control laws (26), (32), (43) and (48), **has been designed, assuming availability of all states**. Then, an interconnected Kalman like observer is proposed to get online estimates of all mechanical state variables in PMSG (rotor position and speed, and load torque). Only the electrical variables are supposed to be accessible to measurements. **Based on this observer, the output feedback controller defined by (84a-d) can then be built**. The Lyapunov stability and backstepping design technique are used. The controller has been designed to: (i) satisfactory rotor speed reference tracking for extracting maximum power; (ii) tight regulation of the stator d-axis; (iii) power factor correction; (iv) well regulated DC-link voltage (v_{dc}). These results have been confirmed by a simulation study.

TABLE 3. Main notations

c_i, θ_i	design parameters
e_{n123}	AC line voltages
E_{nd}, E_{nq}	d- and q- axis network voltages
F	combined rotor and load viscous friction
i_{n123}	line input currents
$i_{s\alpha\beta}$	Stator currents in $\alpha - \beta$ coordinates
i_{sd}, i_{sq}	d- and q- axis stator currents
J	combined rotor and load inertia
L_0, C	passive components of inverter
L_s, R_s	inductance and resistance of stator winding (WRSM)
p	number of pole pairs
Q_n	Reactive power in the network
s_i, k_i	PWM input signals controlling converter IGBT's
T_g	machine load torque
u_i	average values of u_1, u_2, u_3, u_4 over cutting periods (duty ratios)
v_{dc}	DC Link voltage
v_{dcref}	reference value of DC link voltage v_{dc}
V_i, W_i	Lyapunov functions introduced in the system loops design
v_{sd}, v_{sq}	d- and q- axis stator voltages
x_1	Rotor speed ($x_1 = \omega$)
x_2	q-axis stator current ($x_2 = i_{sq}$)
x_3	d-axis stator current ($x_3 = i_{sd}$)
x_4	squared DC Link voltage $x_4 = v_{dc}^2$
x_4^*	reference value of x_4 i.e. $x_4^* = v_{dcref}^2$
x_5	d-axis line current i.e. $x_5 = i_{nd}$
x_6	Rectifier output voltage $x_6 = v_{dc}$
z_1	rotor speed tracking error $z_1 = \omega - \omega_{ref}$
z_3	d-axis current tracking error $z_3 = i_{sd} - i_{sdref}$
z_4	squared DC Link voltage error $z_4 = x_4 - x_4^*$
z_6	Reactive power tracking error $z_6 = E_{nd}x_6 - E_{nq}x_5 - Q_n^*$
ϕ_r	Rotor flux

$\phi_{ra\beta}$: Rotor fluxes in α - β coordinates

ω : Rotor angular speed

REFERENCES

- Besaçon G., Bornard G., Hammouri H., (1996). 'Observer synthesis for a class of nonlinear control systems', *European Journal of Control*, vol. 2, no. 3, pp. 176-192, 1996.
- Besaçon G., De Leon –Morales J., Huerta-Guevara O., (2006). 'On adaptive Observers for state affine systems', *International Journal of Control*, Vol 79, No. 6, 2006, pp.581-591.
- Besaçon G., Hammouri H., (1998). 'On observer design for interconnected systems', *Journal of Mathematical Systems, Estimation and Control*, vol. 8, no. 3, pp. 1-25, 1998.
- Besaçon G., Zhang Q., Hammouri H., 'High gain observer based simultaneous state and parameter estimation in nonlinear systems', *IFAC Symposium on NonLinear Control Systems (NOLCOS 04)*, Germany, 2004.
- Boukhezzar B., Siguerdidjane H., (2006), 'Nonlinear Control of Variable-Speed Wind Turbines for Generator Torque Limiting and Power Optimization', *J. Sol. Energy Eng.*, Vol 128, Issue 4, p.516, 2006.
- Brahmi J., Krichen L., Ouali A., Traore D., Plestan F., (2009). 'A comparative study between three sensorless control strategies for PMSG in wind energy conversion system', *Applied Energy*, vol. 86, pp. 1565–1573, 2009.
- Chi S., Zhang Z., Xu L., (2007). 'A novel sliding mode observer with adaptive feedback gain for PMSM Sensorless Vector Control', *Power Electronics Specialists Conference, IEEE 2007*, pp: 2579-258.
- Eftichios K., Kostas K., (2006). 'Design of a Maximum Power Tracking System for Wind-Energy-Conversion Applications', *IEEE Transactions on Industrial Electronics*, Vol. 53, No. 2, April 2006
- El Magri A., Giri F., Abouloifa A., El Fadili A., (2009). 'Nonlinear Control of Associations Including Wind Turbine, PMSG and AC/DC/AC Converters - Speed regulation and power factor correction', *IEEE, European Control Conference 2009*, August 23-26, 2009, Budapest, Hungary.
- Eriksson S., Solum A., Leijon M., Bernhoff H., (2008). 'A Simulations and experiments on a 12 kW direct driven PM synchronous generator for wind power', *Renewable Energy* 33 pp. 674–681, 2008.
- González L.G., E. Figueres, G. Garcerá, O. Carranza, (2010). 'Maximum-power-point tracking with reduced mechanical stress applied to wind-energy-conversion-systems', *Applied Energy* 87 pp. 2304–2312, 2010.
- Grabic S., Celanovic N., Katic V.A., (2008). 'Permanent Magnet Synchronous Generator Cascade for Wind Turbine Application', *Power Electronics, IEEE Transactions*, vol 23, May 2008, pp. 1136 – 1142
- Hong Y.-Y., Lu S.-D., Chiou C.-S., (2009). 'MPPT for PM wind generator using gradient approximation', *Energy Conversion and Management* 50 (1), pp. 82-89, 2009
- Hong-Woo Kim, Sung-Soo Kim, Hee-Sang Ko, (2010). 'Modeling and control of PMSG-based variable-speed wind turbine', *Electric Power Systems Research* 80, pp. 46–52, 2010.
- Jasiński M., Świerczyński D., Kazmierkowski P., (2007), 'Direct Active and Reactive Power Control of AC/DC/AC Converter with Permanent Magnet Synchronous Generator for Sea Wave Converter', *POWERENG'07*, Setubal, Portugal, 14-16 April, 2007
- Jemaa B., Krichen L., Ouali A., (2009). 'A comparative study between three sensorless control strategies for PMSG in wind energy conversion system', *Applied Energy* 86, pp: 1565–1573, (2009).
- Johnson K. E., Lucy Y.P., Balas M.J., Fingersh L.J., (2006). 'Control of Variable Speed Wind Turbines', *IEEE Control System Magazine*, Vol. 26, No. 3, pp: 70-81, 2006.
- Kesraoui M., Korichi N., Belkadi A., (2011). 'Maximum power point tracker of wind energy conversion system', *Renewable Energy*, vol. 36 pp. 2655-2662, (2011)

- Khalil, H.K., (2002). 'Nonlinear Systems', Prentice Hall, 3rd edition, ISBN 0-13-067389-7.
- Koutroulis E. and K. Kalaitzakis, (2006). "Design of a maximum power tracking system for wind-energy-conversion applications," IEEE Trans. Ind. Electron., vol. 53, no. 2, pp. 486–494, Apr. 2006.
- Krstic M., Kanellakopoulos I., Kokotovic P., (1995). 'Nonlinear and adaptive control design', John Wiley & Sons, Inc, 1995.
- Kuroe Y., Okamura K., Nishidai H., Maruhashi T., (1998). 'Optimal speed control of synchronous motors based on feedback linearization'. International Conference on Power Electronics and Variable-Speed Drives, pp 328 – 331.
- Michael J, Ryan D., Rik W., (1998). 'Modeling of Sinewave Inverters: A Geometric Approach', Industrial Electronic Conference, IEEE Conference, 1998, vol.1, pp 396 - 401.
- Muhammad H., Rashid, (2001). 'Power electronics handbook', Academic press, 2001.
- Ohyama K., Arinaga S., Yamashita Y., (2007). 'Modeling and simulation of variable speed wind generator system using boost converter of permanent magnet synchronous generator', European Conference on Power Electronics and Applications, pp. 1-9, 2007.
- Rocha R., (2010). 'A sensorless control for a variable speed wind turbine operating at partial load', Renewable Energy (2010) pp. 1–10.
- Senjyu T., Ochi Y., Kikunaga Y., Tokudome M., Yona A., Muhando E.B., Urasaki N., Funabashi T., (2009). 'Sensorless maximum power point tracking control for wind generation system with squirrel cage induction generator', Renewable Energy 34 pp. 994–999, 2009.
- Senthil Kumar N., Saravanan K., (2004). 'Speed control of PMSM drive using VSI', Industrial Electronic Conference (IECON), Busan, South Korea, Vol. 1, pp 888- 895.
- Singh B., Bhuvaneswari G., Garg V., (2006). 'Improved Power Quality AC-DC Converter for Electric Multiple Units in Electric Traction', Power India Conference, pp. 6, 2006.
- Sira H., Silva R.. (2006). 'Control design techniques in power electronics devices'. Springer.
- Tan K., Islam S., (2008). 'Optimum Control Strategies in Energy Conversion of PMSG Wind Turbine System without Mechanical Sensors', IEEE Transactions on Energy Conversion 19 (2), pp. 392-399, 2008
- Traore D., Plestan F., Glumineau A., De Leon J., (2008). 'Sensorless induction motor: high order sliding mode controller and adaptive interconnected observer', IEEE Transactions on Industrial Electronics, vol. 55, (11).pp. 3818-3827. Novembre, 2008.
- Zatocil H., (2008). 'Sensorless Control of AC Machines using High-Frequency Excitation' 2008 13th International Power Electronics and Motion Control Conference.