



**HAL**  
open science

# Dependability Evaluation of an Air Traffic Control Computing System

Nicolae Fota, Mohamed Kaâniche, Karama Kanoun

► **To cite this version:**

Nicolae Fota, Mohamed Kaâniche, Karama Kanoun. Dependability Evaluation of an Air Traffic Control Computing System. Performance Evaluation, 1999, 35 (3-4), pp.253-273. hal-00762602

**HAL Id: hal-00762602**

**<https://hal.science/hal-00762602>**

Submitted on 7 Dec 2012

**HAL** is a multi-disciplinary open access archive for the deposit and dissemination of scientific research documents, whether they are published or not. The documents may come from teaching and research institutions in France or abroad, or from public or private research centers.

L'archive ouverte pluridisciplinaire **HAL**, est destinée au dépôt et à la diffusion de documents scientifiques de niveau recherche, publiés ou non, émanant des établissements d'enseignement et de recherche français ou étrangers, des laboratoires publics ou privés.

# Dependability Evaluation of an Air Traffic Control Computing System

Nicolae Fota<sup>\*</sup> Mohamed Kaâniche<sup>◇</sup> and Karama Kanoun<sup>◇</sup>

<sup>◇</sup>LAAS-CNRS

7, Av. du Colonel Roche

31077 Toulouse Cedex 4 — France

{kaaniche;kanoun}@laas.fr

<sup>\*</sup>SOFREAVIA

3 Carrefour de Weiden

92441 Issy les Moulineaux — France

fotan@sofreavia.fr

**Author Contact:** Mohamed Kaâniche

## Abstract\*

*As air traffic over France is growing rapidly, the existing Air Traffic Control (ATC) system has to evolve to satisfy the increasing demand. The selection of the new automated computing system (denoted CAUTRA) is based, among other things, on dependability evaluation. This paper is devoted to the dependability evaluation of the CAUTRA, however, emphasis is put on a subset: the Regional Control Center (RCC). Starting from the analysis of the impact of CAUTRA failures on air traffic safety, five levels of service degradation are defined for the global system grading the effects of these failures on the service delivered to the controllers to ensure traffic safety. The RCC failure modes leading to these degradation levels are then defined and evaluated using stochastic Petri nets. The modeling approach consists in modeling the system as a set of modules interconnected via coupling mechanisms. The system model is constructed in several steps according to an incremental approach. Each step integrates the failure and recovery assumptions of an additional component and updates the model of the previous step by accounting for the impact of the new component on the behavior of those already included in the model. The application of this approach to the CAUTRA allowed us to analyze several configurations of the CAUTRA architecture and to identify improvement areas to minimize the impact of CAUTRA failures on air traffic safety.*

---

\* Nicolae Fota was at LAAS-CNRS when this work was performed.

**Key words:** Dependability modeling, stochastic Petri nets, Markov chains, air traffic control, air traffic safety, safety analysis

## 1. Introduction

The French Air Traffic Control (ATC) is based on an automated system (the CAUTRA), implemented on a distributed fault-tolerant computing system composed of five Regional en-route air traffic Control Centers (**RCC**) and one Centralized Operating Center (**COC**), connected through a dedicated Telecommunication Network (**TN**). The same computer architecture is implemented in each RCC. The CAUTRA design has been in a continuous evolution during the last few years in order to face the growth of air traffic volume, to improve the dependability of the CAUTRA and to include additional functionality to the controller. The definition of the new CAUTRA architecture is supported by quantitative evaluation techniques. In this context, our work focuses on the analysis and evaluation of the impact of CAUTRA failures on the service delivered to the controller to ensure air traffic safety.

The analysis and evaluation of this impact has been performed in three successive phases. The first one, aimed at a preliminary Failure Modes Effects and Criticality Analysis of the CAUTRA, led us to define five levels of ATC service degradation and to identify the main subsystems providing vital services for air traffic safety. The second phase focused on the dependability modeling and evaluation of each of these subsystems. The third phase was devoted to the combination of the dependability measures evaluated for each subsystem to: 1) obtain global measures for each service degradation level, 2) analyze the contribution of each subsystem to these degradation levels, and 3) identify improvement areas of the CAUTRA architecture to reduce the effects of failures. In this paper, we outline the results of the first phase, then we focus on the RCC system (one part of the second phase) and finally we give a few results related to the whole CAUTRA dependability.

The complexity of the RCC and COC systems, and the necessity for a detailed modeling of failure and recovery scenarios (to evaluate the system with respect to different levels of degradation) lead to handle a large set of failure and recovery assumptions of a system constituted of components having multiple interactions. State-of-the-art modeling techniques are difficult to use in this context if they are not supported by a systematic and structured modeling approach. In [9], we presented a modeling approach based on stochastic Petri nets that assists the users in the construction and validation of complex dependability models of several thousands of Markov states. The system is modeled as a set of modules interconnected via coupling mechanisms. The model is constructed in successive steps according to an incremental approach. Each step integrates the failure and recovery assumptions of an additional component and updates the model built in the previous step by accounting for the impact of the new component on the behavior of those already considered by the model. Construction guidelines are defined to assist the users in the modeling process. In this paper, we illustrate the application of the

approach defined in [9] to a real complex system, the RCC. The system model is composed of seventeen modules with multiple interactions between them. A number of possible configurations of the RCC architecture are discussed and evaluated. The results show that the distribution of the software replicas on the hardware, the communication between them and the software reliability of the most critical replicas are the most important parameters that need to be monitored during the design.

This paper is composed of seven sections. Section 2 positions our work with respect to the state-of-the-art. Section 3 presents the CAUTRA, the service degradation levels, the failure modes and the RCC architecture. Section 4 summarizes the modeling approach used to describe the RCC behavior and evaluate its dependability measures. The RCC modeling assumptions and the corresponding model are presented in Section 5, while Section 6 comments some results. Finally, Section 7 concludes the paper.

## **2. Related work**

Several papers dealt with ATC systems dependability. Papers [1, 2, 6] focus on the specification and the design of fault tolerance procedures, while the work reported in [12, 23] addresses the qualitative evaluation of ATC system dependability. Most of the papers dealing with the modeling and quantitative evaluation of ATC architectures can be found in our previous work on the CAUTRA system. The work presented in [11] is focused on the dependability of the COC. Our earlier work presented in [18] dealt with former architectures of the RCC where the only dependability measure considered was availability without taking into account different levels of service degradation. The work presented in this paper, and related to RCC, considers a new generation of the RCC and refines the dependability measures to account for several service degradation levels. To evaluate these measures, we used the incremental and modular modeling approach based on Stochastic Petri Nets (SPN) which is summarized in [9]. In that paper, guidelines are presented to assist the user in the construction and validation of complex dependability models. Petri nets are well suited to model the interactions between hardware and software components resulting from the occurrence of failure and recovery events. Other approaches for system dependability evaluation are also available, either based on analytical modeling (e.g. [7, 20]) or on simulation (e.g., [13]). The discussion about which one is the best is out of the scope of this paper. A review of some of these methods can be found in [21].

Several methods have been proposed for the modular construction of quantitative evaluation models, either based on SPNs or their offspring's (see e.g. [17, 22]) or based on Markov chains [14]. Other techniques based on SPN decomposition are also proposed, e.g., in [5]. Some of these methods are efficient when the sub-models are loosely coupled, others become hard to implement when interactions are too complex. For the dependability modeling of fault-tolerant systems, multiple and complex interactions between system components have to be explicitly considered because of the dependencies induced by component failures and repairs. When the number of components is not very

high and the number of interactions is limited, the model can be obtained by composition of the component models with their interactions as in [17, 22]. When these numbers increase, alternative approaches, such as the incremental approach proposed in [9], are needed to handle progressively the complexity of the resulting model. The main principles of this method are summarized in Section 4, and its application in the context of the CAUTRA is illustrated in Section 5.2.

### 3. CAUTRA and RCC presentation

The main services delivered by the CAUTRA are flight plan processing, radar data processing, and air traffic flow management. The flight plans gather data about the route of the controlled aircrafts (planned flight path, time schedule, aircraft identification, etc.). These services are provided by the distributed system given in Figure 1. The COC performs the centralized acquisition and initial flight processing (**IFP**) of the flight plans sent by the pilots or airline companies before the start of (and sometimes during) the flight. The processed flight plans are sent to the RCCs ensuring the control of the corresponding aircraft. Each RCC implements two main subsystems providing vital services for the safe control of the traffic: the Flight Plan processing system (**FP**) and the Radar Data processing system (**RD**). FP receives the flight plans from the COC and performs flight plan coordination with the FP systems of adjacent RCCs. As the aircraft flies through the controlled airspace, FP updates the flight plans and prints flight progress strips at sector control positions. RD takes inputs from many surveillance sites, associates them with the flight plans received from FP, and presents a composite digital display of surveillance and aircraft information to the controller.

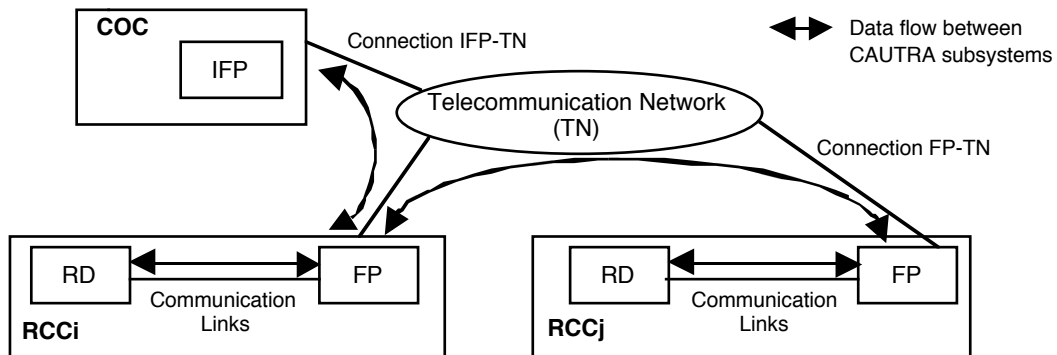


Figure 1. CAUTRA subsystems

**Impact of failures on air traffic safety.** Air traffic safety is the responsibility of the controllers. It mainly consists of maintaining minimum separation between aircrafts and avoiding diversion from normal flight. CAUTRA failures have variable effects on the ability of the controller to maintain safe separation between aircraft. Some failures are transparent to the controller, for instance when the system recovers from a failure within the required response time. However, others may lead to service interruption for longer than an acceptable period of time or may lead the controller to manually

regenerate some vital data while continuing the control of a high number of aircrafts. To be able to analyze and then quantify the degree of degradation of the service delivered to the controller when CAUTRA failures occur, we defined a classification scheme which distinguishes five levels of degradation, noted L1 (the most severe one) to L5, as indicated in Table 1. This scheme grades the effects of CAUTRA failures by considering the criticality of the affected functions, the service interruption duration, the availability of backup solutions provided by other ATC systems, and the increase of the controller workloads. The degradation levels are defined with respect to the functional service delivered to the controller, irrespective of architectural considerations.

**CAUTRA and RCC failure modes.** To identify, at the functional level, the CAUTRA failure modes leading to the service degradation levels defined in Table 1, we analyzed: 1) the main CAUTRA services delivered to the controllers, 2) the functions contributing to these services, and 3) the hardware and software components implementing these functions. For each failure mode, we identified the scenarios leading to this failure mode through a Failure Modes and Effects Analysis of the hardware and software architecture taking into account the operational recovery and repair strategies.

Level	Definition
L1	Continued air traffic control prevented for longer than an acceptable period of time. Backup recovery means are not able to recover the failure. Example: when RD is lost for more than 30 s, <u>and at the same time</u> , FP is interrupted by a failure causing the loss of the flight plans of aircrafts under control. These flight plans have to be manually regenerated by the controller.
L2	Continued air traffic control severely compromised for longer than an acceptable period of time until application of alternative recovery means and procedures, the service is continued in a highly degraded mode with these means until traffic limitation actions become effective. Example: <u>when only one</u> of the failure modes described in the example given above for L1 occurs.
L3	Continued air traffic control impaired for longer than an acceptable period of time, the service is continued in a degraded mode with alternative backup recovery means until traffic limitation actions become effective. Example: when FP is interrupted for more than 10 min and only a few flight plans are lost.
L4	Minor effects on air traffic control for a short period of time, if the failure persists beyond that time, the impact may be more significant. Example: when initial flight plan processing is interrupted for more than 15 min without a significant loss of flight plans.
L5 No impact	Failure conditions that do not have a significant impact on the service, or are not perceived by the controller. Example: when a failure is recovered automatically within the required response time.

**Table 1.** Service degradation levels

Eleven failure modes were identified (and validated with the help of CAUTRA design and operation teams) using this approach. They are listed together with their associated degradation levels in Table 2-a: three affect the services delivered by COC (i. e., the IFP function), three are related to the connection of the CAUTRA subsystems to the telecommunication network and five (shaded lines) concern the services delivered by the RCC (i. e., RD and FP functions). In this Table, the failures leading to short service interruptions without any impact on traffic safety (level L5 in Table 1), are not listed. It is worth noting that these failure modes have been defined such as each failure mode results in

the total loss or degradation of a service delivered by only one CAUTRA subsystem. Therefore, each CAUTRA subsystem can be analyzed and modeled in detail independently of the other subsystems.

The combination of the failure modes reported in Table 2-a may increase the service degradation level from Ln to L(n-1), or more. As the probability of occurrence of more than two failure modes is very low, we only considered the case when at most two failure modes occur. Table 2-b lists the combinations of failure modes that lead to a higher service degradation level. For all other scenarios, the level of service degradation resulting from the occurrence of two failure modes is given by the most critical mode.

Notation	Definition	Level
IFP_ld	Low degradation of IFP service: IFP failure during more than 15 min, flight plans not affected	L4
IFP_hd	High degradation of IFP service: some flight plans must be recreated manually by the controller	L3
IFP_tl	Total loss of IFP service: all flight plans must be recreated manually by the controller	L2
TN_f	Loss of the Telecommunication Network (TN) for more than 5 min	L3
IFP-TN_f	Loss of the communication between IFP and TN for more than 20 min	L4
FP-TN_f	Loss of the communication between FP and TN for more than 10 min	L3
Com_f	Loss of communication between RD and FP for more than 5 min	L3
FP_ld	Low degradation of FP service: FP failure during more than 10 min, flight plans not affected	L3
FP_hd	High degradation of FP service: flight plans restored from adjacent RCCs, only a few of them must be recreated manually by the controller	L3
FP_tl	Total loss of FP service: all flight plans must be recreated manually by the controller	L2
RD_f	Unavailability of RD for more than 30 seconds	L2

- a - Single failure modes

Notation	Definition	Level
FP_hd $\cap$ IFP_ld	High degradation of FP service and Low degradation of IFP service	L2
FP_hd $\cap$ IFP_hd	High degradation of FP service and High degradation of IFP service	L2
FP_hd $\cap$ IFP-TN_f	High degradation of FP service and Loss of the communication between IFP and TN	L2
FP_hd $\cap$ TN_f	High degradation of FP service and Loss of the Telecommunication Network	L2
FP_hd $\cap$ FP-TN_f	High degradation of FP service and Loss of the communication between FP and TN in the same RCC	L2
RD_f $\cap$ IFP_tl	Unavailability of RD for more than 30 seconds and total loss of IFP service	L1
RD_f $\cap$ FP_tl	Unavailability of RD for more than 30 seconds and total loss of FP service in the same RCC	L1

- b – Combinations of failure modes leading to an increase of the degradation level

**Table 2.** CAUTRA failure modes and corresponding degradation levels

As we focus on the RCC system in this paper, the corresponding failure modes are further commented. Among the failure modes identified in Table 2 (shaded lines), three are related to FP:

- 1) FP\_tl: all the flight plans processed by FP are lost and have to be recreated manually by the controller

- 2) FP\_hd: some of these flight plans can be automatically restored from adjacent RCCs
- 3) FP\_ld: the FP failure does not lead to a significant loss of data.

Loss of communication between FP and RD (Com\_f) and RD failure (RD\_f) have a significant impact on the controller if the service interruption exceeds an acceptable period of time (5 minutes for Com\_f and 30 seconds for RD\_f).

The most critical combination of single failure modes related to the RCC corresponds to the concomitant occurrence of RD\_f and FP\_tl (noted  $RD_f \cap FP_{tl}$ , in Table 2-b). Indeed, this scenario leads to the CAUTRA main services unavailability and increases the degradation level from L2 to L1.

**Quantitative measures.** Several CAUTRA component failure and recovery scenarios may lead to the same degradation level. Transition from one level to another may occur as a result of failure accumulation or recovery completion. Quantitative measures are necessary to identify the most critical failure scenarios and to provide feedback about possible improvement of the CAUTRA architecture and recovery procedures for the future versions. For this purpose, for each CAUTRA failure mode X (among the eleven identified), we evaluate two quantitative measures:

- UA(X): probability of occupation of a service degradation state corresponding to the occurrence of failure mode X (in steady state).
- W(X): asymptotic frequency of occurrence of CAUTRA failure mode X.

To evaluate these measures (referred to as **partial measures**), we used the modeling approach based on Markov chains and stochastic Petri nets presented in [9] and summarized in Section 4. This approach allowed us to model in detail the hardware and software failure and recovery scenarios leading to the CAUTRA failure modes. Analysis of the interactions between the CAUTRA subsystems (COC, RCC and TN) revealed weak dependencies between these subsystems [10]. Therefore, we have built independent models for each and evaluated the partial measures UA(X) and W(X) measures of the corresponding failure modes.

The above partial measures are combined to evaluate **global measures** for the CAUTRA, defined with respect to the four significant degradation levels (noted as UA\_Ln and W\_Ln, n=1... 4). The method used for the evaluation of the global measures is outlined in the Appendix.

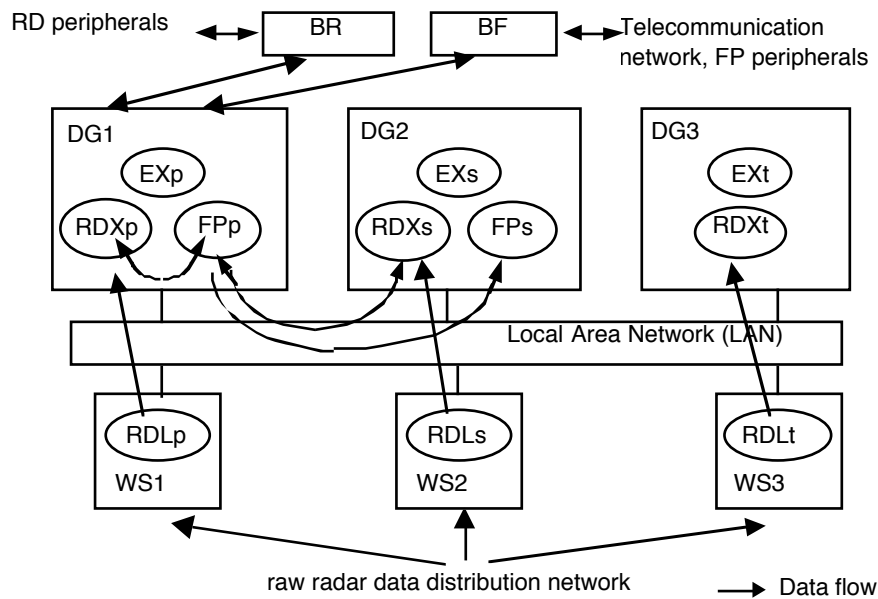
In the rest of the paper, we only present the RCC model. However, some results related to the global measures are given in Section 6.3. Details about the other models and the results derived for the global system can be found in [8, 10].

**RCC architecture.** A simplified description of the RCC architecture is given in Figure 2. This architecture has been under development since 1996 and will be operational by the end of 1998. FP and RD functions are implemented on a fault-tolerant architecture composed of three redundant Data



General computers (DG1, DG2 and DG3) and three redundant HP-Unix workstations (WS1, WS2, WS3) connected through an ETHERNET local area network (LAN).

RD is decomposed into two parts: RDX running on the DG and RDL running on WS. Three replicas are defined for each of them: ( $RDX_p$ ,  $RDX_s$ ,  $RDX_t$ ) and ( $RDL_p$ ,  $RDL_s$  and  $RDL_t$ ):  $p$  is the principal replica,  $s$  is the secondary replica corresponding to a hot spare (quasi-instantaneous automatic reconfiguration if  $p$  fails), and  $t$  provides a warm backup (manual reconfiguration), if  $p$  and  $s$  replica fail. RDL replicas periodically and simultaneously receive raw radar data from the radar ATC subsystem. Each pair of DG and WS running RDX and RDL ( $p$ ,  $s$  or  $t$ ) constitutes a cluster. Any failure leading to the RDX or RDL restart on another DG or WS requires the reconfiguration of both replicas on the corresponding cluster. Therefore, the same mode ( $p$ ,  $s$  or  $t$ ) is always assigned to RDX and RDL. In the rest of the paper, RDX and RDL are referred to as RD, distinction between them will be made only when necessary.



**Figure 2.** Architecture for the reference configuration (C1)

FP application is duplicated:  $FP_p$  is the principal replica and  $FP_s$  provides a hot backup (automatic reconfiguration in about 2 min).

Besides FP and RDX replicas, each DG hosts an executive software including the operating system and a computer manager supervising the hosted replicas. We associate to each executive software replica the same mode assigned to the RD replica running on the DG ( $EX_p$ ,  $EX_s$  or  $EX_t$ ). Each WS runs a copy of the UNIX operating system and a software manager controlling RDL.

Access to the telecommunication network and to the peripherals providing information display to the controller and software replica monitoring is performed by two independent I/O boards: BR for RD and BF for FP. BR and BF implement watchdog mechanisms to supervise the execution of the software replicas. If  $p$  replica is not responding, automatic reconfiguration leads to the assignment of  $p$  mode to  $s$  replica and peripherals and communication links connection to the new  $p$  configuration. The architecture described in Figure 2 corresponds to one possible configuration of software replicas on the DG computers (referred to as the *reference configuration*). In this configuration,  $FPp$  and  $RDXp$  run on the same DG, they exchange information through the LAN for flight plan correlation with radar data.  $RDXp$  receives information from  $RDLp$  (running on WS of the same cluster) to display the processed radar data image.  $FPp$  communicates with FPs and RDs to establish checkpoints allowing automatic reconfiguration of the  $s$  replica into  $p$  mode in case of failure. There is no need for communication between  $RDp$  and RDs, since both replica receive directly the raw radar data from the radar ATC subsystem.

Besides this reference configuration (C1), five others are possible as indicated in Table 3. Transition from one configuration to another may result from system reconfiguration following the occurrence of a hardware or a software failure. The selection of the new configuration depends on the type and consequences of failures and on the system components which are still available.

	C1	C2	C3	C4	C5	C6
DG1	RDp/FPp	RDp/FPp	RDs/FPp	RDs/FPp	RDt/FPp	RDt/FPp
DG2	RDs/FPs	RDt/FPs	RDp/FPs	RDt/FPs	RDp/FPs	RDs/FPs
DG3	RDt	RDs	RDt	RDp	RDs	RDp

**Table 3.** Possible RCC configurations

## 4. The Modeling Approach

The dependability evaluation is based on Markov chains, which are constructed using the modeling approach, based on Generalized Stochastic Petri Nets (GSPNs), proposed in [9]. In this approach, the model is built and validated in an incremental manner following a set of construction guidelines. It is processed by the SURF-2 tool, developed at LAAS-CNRS [3]. This approach provides the users with a systematic method to handle complex interactions and a large set of failure and recovery assumptions. In this section, we give the principles of the approach and a brief insight on the construction guidelines. More details can be found in [8, 9]. This approach is illustrated in Section 5.

**Incremental construction of GSPN models.** The system model is constructed in several steps. At the initial step, the system behavior is described taking into account the failures of only one selected

component, assuming that the others preserve their operational nominal state. The failures of the other components are integrated progressively in the following steps of the modeling process. At each step: 1) a new component is added, and 2) the GSPN model is updated and validated (taking into account the impact of the additional assumptions on the behavior of the components already included in the model). The validation is done at the GSPN level for structural verification and also at the Markov level to check the scenarios represented by the model. When the Markov chain is large, the exhaustive analysis of the chain becomes impractical; sensitivity analyses (using a range of values for model parameters) are then used to check the model validity.

With the incremental approach, only few additional assumptions are added at each step: the user has to model only the behavior of the new component and describe how the previous version of the model has to be modified to account for the interaction of this component with those already integrated. To ensure better control of the model evolution, we defined a set of guidelines for modeling the component behavior and their interactions. These guidelines are not mandatory but facilitate significantly the construction of the model and particularly its validation. Also, they promote reuse of some parts of the model as the components and the interactions are well identified.

The components' behavior is described by sub-models called *modules*, while interactions between components are modeled using *module coupling mechanisms*. A **module** describes the behavior of the component resulting from the occurrence of its internal events (failures, repairs, etc.). It is built of places, characterizing the states of the component, and transitions, modeling the occurrence of failure and recovery events specific to that component. The *basic rule* for the module construction stipulates that its marking invariant should be equal to 1. To improve the compactness of the module, we recommend the avoidance of immediate internal transitions (because they generally lead to conflicts between transitions).

Three basic **coupling mechanisms** are used to model interactions among components: marking tests, common transitions and interconnection blocks. The limitation of the type of interaction between modules aims to ensure better control of model construction and validation.

- *Marking tests* are used when the occurrence of an event of a given component is conditioned upon the marking of other component modules. Only stable places of these modules (i.e., those involved in non vanishing markings corresponding to real component states) can be included in the test. Inhibitor arcs and bi-directional enabling arcs are used to implement marking tests. Thus, when the internal transition fires, the marking of the places involved in the test remains unchanged.
- *Common transitions* are shared by several modules and describe the occurrence of events common to several components, leading to the simultaneous marking evolution of the involved modules.

- The *interconnection block* models the consequence of the occurrence of an event of an initializing component in terms of state changes of other target components. These consequences may depend on the state of components other than those modeled by the initializing and the target modules. A block connects one or several initializing modules to one or several target modules. It is built of one *input place* and a set of immediate transitions. To ensure re-usability and thus improve compactness and flexibility of the model, generic elementary blocks can be defined to describe specific interactions: for example, a single block can be defined to stop a software replica, this block is initialized when the hosting hardware fails or when the operating system fails. The blocks can be connected according to a parallel-series topology to model a complex interaction. The use of series-parallel sets of elementary blocks may lead to the simultaneous enabling of several output transitions of different blocks. Priorities should be defined for the firing of these transitions to avoid conflicts.

## 5. Modeling of the RCC

There are 17 components to be considered in the RCC model: three RD replicas, three EX replicas, two FP replicas, two switching I/O boards, three DG computers, three WS computers and the LAN. Besides the 17 modules modeling these components, an additional one was added (denoted COHAB in Table 5, Section 5.2) to describe the system configurations (C1 to C6). Following the incremental approach, the RCC model was built in 18 steps (summarized in Table 5), each one corresponding to the integration of an additional component. We will illustrate the first four steps corresponding to the incremental integration of  $RD_p$ ,  $RD_s$ ,  $RD_t$  and  $EX_t$  successively. To be able to understand the models, we first outline the main failure and recovery scenarios assumed when building the RCC model.

### 5.1. Failure and recovery assumptions

We focus on the failure and recovery scenarios involving RD and EX replicas as they are used in the rest of this section. To illustrate the complexity of the interactions between RCC components, the scenarios corresponding to the other components are summarized in Table 4. All these scenarios have been defined and validated with CAUTRA design and operation teams.

**RD replicas.** The failure modes and the associated recovery scenarios identified for RD replicas are:

- “*RD<sub>p</sub> local failures*” that do not affect  $RD_s$ . Recovery depends on the availability of  $RD_s$  or  $RD_t$ : 1) If  $RD_s$  is available (i.e., did not fail due to other reasons), quasi-instantaneous automatic reconfiguration of  $RD_s$  into  $p$  mode (*secpal*) followed by I/O links switching via BR, is attempted. If the latter action fails due to a failure of BR,  $RD_p$  is restarted on the initial cluster (*rstpal*); 2) if  $RD_s$  is unavailable but  $RD_t$  is available, a manual reconfiguration of  $RD_t$  into  $p$  mode is attempted using BR (*tstpal*); if this action fails,  $RD_p$  is restarted on the initial cluster.

- “*RDp and RDs common mode failures*”: If *RDt* is available, *tstpal* procedure is attempted using *BR* followed by *rstpal* if it fails.
- “*RDs local failures*”: Recovered by restarting *RDs* on the same cluster.
- “*RDt local failures*”: Recovered by restarting *RDt* on the same cluster.

Common mode failures of *RDp* and *RDt* manifest only when the manual reconfiguration of *t* replica into *p* mode fails (i.e., when *tstpal* fails). Therefore, these failures are implicitly included in the failure mode corresponding to *tstpal* failure.

Figure 3 describes the above scenarios used to recover from *RDp* failures (local and common mode failures), and shows the link with the *RD\_f* failure mode defined in Table 2. Only states 4, 5 and 6 correspond to *RD* service interruption during more than 30 seconds (*RD\_f* failure mode): ~3min are needed for *tstpal* execution whereas *secpal* is quasi-instantaneous.

**FP Replicas.** Four failure modes are distinguished: *FPp local failures*. Recovery depends on *FPs* availability: 1) If *FPs* is available, automatic reconfiguration of *FPs* into *p* mode followed by I/O links switching via *BF* is attempted; 2) If *FPs* is unavailable or reconfiguration fails due to *BF*, *FPp* is restarted on the same *DG* after elimination, from the system buffers, of some flight plans, suspected to be at the origin of the failure (*rstwl*). If *rstwl* fails, all the flight plans are eliminated and an attempt is made to automatically restore these data from the adjacent *RCCs* (*dbjx*). Otherwise, data are lost, *FP* is restarted and all the flight plans must be recreated manually by the controller (*dbjn*). Each time “*dbjx*” or “*dbjn*” are applied, *FPs* must be restarted after restoring data from *FPp* to ensure consistency between both replicas.

*FPp & FPs common mode failures.* *rstwl* is attempted first, followed in case of failure by “*dbjx*” and finally by “*dbjn*”.

*FPs local failures without significant loss of data.* Recovered by *FPs* restart on the same *DG*.

*FPs local failures with significant loss of data.* Recovered by *FPs* restart after restoring data from *FPp*.

**DG Computers.** When a *DG* fails, the hosted replicas and the computer manager are halted. If *FPp* or *RDp* was running on the *DG* before failure occurrence, the recovery scenarios described for *FPp* or *RDp* are applied using another *DG* or another cluster.

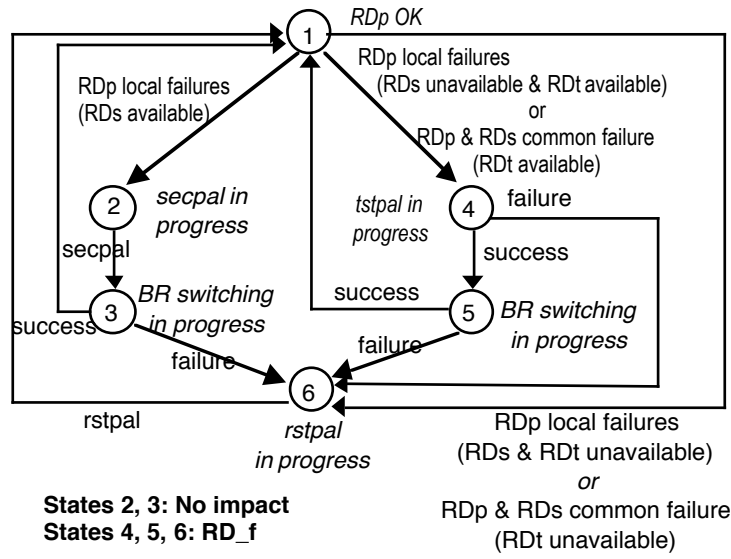
**WS Computers.** The scenario is similar to *DG* failures, except that only *RD* replicas are concerned

**BF and BR I/O Boards.** Two failure modes are distinguished:  
*Switching failure on demand* affecting the failed replica only. It includes non detection of errors requiring *s* to *p* automatic switching, or reconfiguration failure of I/O links. Recovery consists of restarting the failed *pal* replicas on the initial *DG* or cluster. If they are unavailable, *BF* or *BR* must be repaired or replaced before *FP* or *RD* restart.

*Global failure.* This failure may occur at any time and leads to the interruption of all *RD* or *FP* replica associated to the corresponding I/O board. It may be related to a non justified execution of system reconfiguration leading to the confusion of *p*, *s* or *t* modes assigned to the replicas, or the occurrence of hardware faults leading to the interruption of all I/O links. *RD* or *FP* service can be restored only after the repair of the corresponding I/O board.

**LAN.** Several failure modes have been identified for the LAN providing communication support between *FP* and *RD* replicas. These failures may lead to 1) communication loss between *RDL* and *RDX* replicas or between *RDp* and *FPp* (if they run on separate *DGs*), 2) physical isolation of one *DG* or *WS* from the rest of the architecture, or 3) failure of both *RD* and *FP*. More details are given in [10].

**Table 4.** Failure and recovery scenarios associated with *FP*, *DG*, *WS*, *BF*, *BR* and *LAN* components



**Figure 3.** Scenarios to recover from failures due to RDp and mapping with RD\_f failure mode

Besides the software failure modes described above, an additional one has been defined to account for the software failures leading to RD $p$  and FP $p$  communication loss without interrupting the execution of these replicas. If FP and RD dialogue is not re-established after RDs reconfiguration to  $p$  mode performed manually by the operator, other procedures are applied leading to the interruption of flight plan correlation with radar data for more than 5 min (failure mode Com\_f in Table 2).

**EX replicas.** When the executive software fails, the replicas hosted by the DG are halted and the following recovery actions are done: 1) if the failure is due to the computer manager controlling FP and RD replicas, the computer manager is reloaded (i.e., reset and restarted); 2) if it is due to the operating system, DG is rebooted, and the computer manager is restarted. If FP $p$  or RD $p$  was running on the DG, recovery scenarios implying the reconfiguration of these replicas are applied.

### 5.2. RCC dependability model

In this section, we explain how we use the incremental modeling approach to build the RCC model based on the failure and recovery scenarios presented in Section 5.1. We focus on the first four steps corresponding to the progressive integration of RD $p$ , RD $s$ , RD $t$  and EX $t$ . For each step we describe the new behavior included in the model due to the integration of a new component.

**Step 1:** RD $p$  is modeled assuming that the other components are in an operational nominal state (Figure 4).

RD $p$  local failures (modeled by timed transition  $loc\_Pal$ ) are recovered by the automatic switch of the RD $s$  into  $p$  mode (timed transition  $secpal$ ). At this step, RD $s$  keeps its initial state, we assume that the new  $s$  replica is restarted instantaneously as soon as the switch of replicas is achieved, and the switch of I/O links by BR is successful.

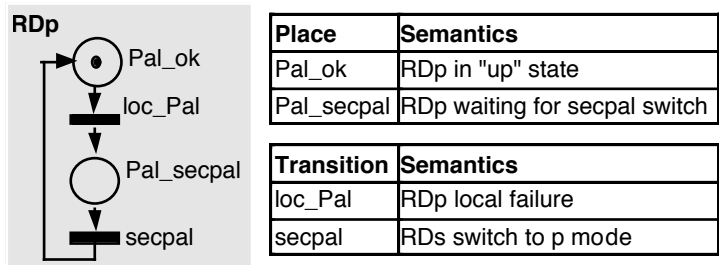
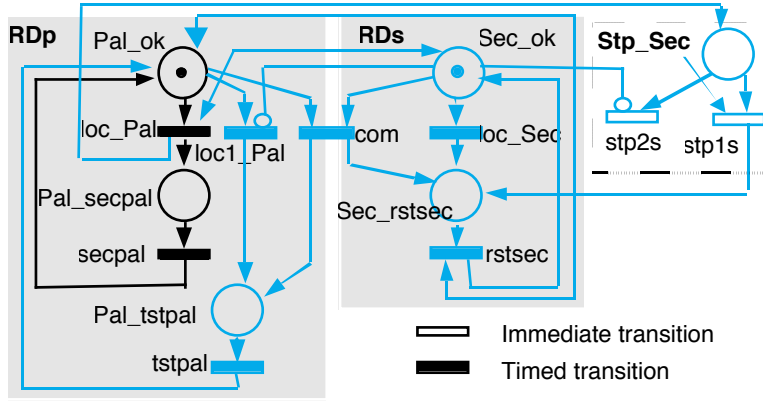


Figure 4. Step 1 (RD $p$ )

**Step 2:** The model is extended by adding the RDs module and updating the RDp module to take into account the behaviors induced by RDs failures (see Figure 5: the additional places, transitions and arcs of the new step are plotted in gray and commented below).

At this step, RDp and RDs common failure mode is modeled (timed transition *com*, shared by modules RDp and RDs). The firing rates of the transitions corresponding to RDp and RDs common mode failures and local failures are modeled using the random switch mechanism traditionally used in SPNs. Place *Pal\_tstpal* and timed transition *tstpal*, model RDp state during RDt manual switch into *p* mode. Some RDp local failures may be recovered by RDs switch to *p* mode and others by RDt switch to *p* mode, depending on RDs availability. This is modeled by transitions *loc\_Pal*, *loc1\_Pal* and the associated marking tests. To model the fact that RDs is down following the switch of the *s* replica to *p* mode, we use the interconnection block *Stp\_Sec* built up of an input place and two immediate transitions: *stp1s* modeling RDs state change from up to down, and *stp2s* used when RDs is already down when the failure occurs. These transitions ensure that all RDs states are checked when the block is initialized. The enabling conditions of *stp1s* and *stp2s* are said to be complete and exclusive: when a token arrives into place *Stp\_Sec* it is immediately consumed and one transition of the block is guaranteed to be fired. This is a general condition that has to be satisfied by the blocks used to set the target modules into a given set of states when an event occurs in the initializing module. Ensuring this condition allows the users to avoid some common modeling errors (e.g. forgetting to test some conditions or building conflicting immediate transitions), especially when the target modules state space is large, and also facilitates block reuse. Finally, the marking test on *rstsec* transition ensures that RDs is restarted after the restart of RDp.



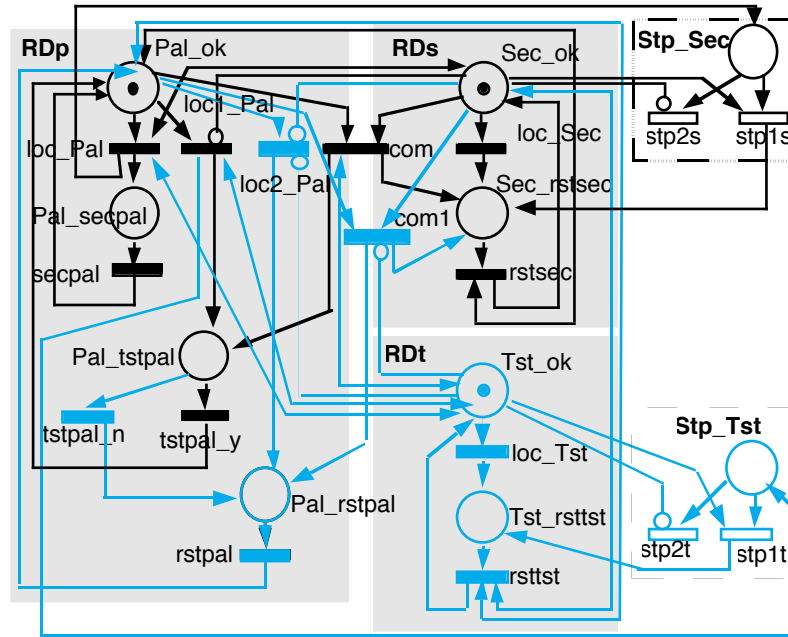


Pal_ok	RDp in "up" state	loc_Pal	RDp local failure (RDs available)
Pal_secpal	RDp waiting for secpal switch	loc1_Pal	RDp local failure (RDs unavailable)
Pal_tstpal	RDp waiting for tstpal switch	com	RDp & RDs common failure
Sec_ok	RDs in "up" state	secpal	RDs switch to p mode
Sec_rstsec	RDs being restarted	tstpal	RDt switch to pal mode
Stp_Sec	Input place of the block used to stop RDs	stp1s, stp2s	Transitions of the block used to stop RDs
		rstsec	RDs restart
		loc_Sec	RDs local failure

Figure 5. Step 2 (RDp-RDs)

**Step 3:** *RDt* replica is integrated as shown in Figure 6.

If both RDs and *RDt* are unavailable, *RDp* is restarted (place *Pal\_rstpal* and timed transition *rstpal* are added to *RDp* module). The recovery scenario following a common failure or a local failure of *RDp*, depends on the state of RDs and *RDt*. To model these scenarios, timed transitions *com1* and *loc2\_Pal* together with appropriate marking tests are added to the model. When the switch of *RDt* to *p* mode is initiated, *RDt* is stopped. This interaction is modeled by the interconnection block *Stp\_Tst* which is similar to *Stp\_Sec*. The *RDt* switch to *p* mode might fail due to software causes. Timed transition *tstpal* from the previous step is then replaced by timed transitions *tstpal\_y* and *tstpal\_n* modeling the success and respectively the failure to switch, with failure rates  $[c \lambda_{tstpal}]$  and respectively  $[(1-c) \lambda_{tstpal}]$  where  $\lambda_{tstpal}$  is the failure rate associated to timed transition *tstpal* from the previous step and *c* is the recovery factor. Finally, a marking test on the timed transition *rstst* is used to model the fact that *RDt* restart can be accomplished only if *RDp* and RDs are up.



Pal_rstpal	RDp being restarted	loc2_Pal	RDp local failure (RDt unavailable)
Tst_ok	RDt in "up" state	com1	RDp & RDs common failure (RDt unavailable)
Tst_rstst	RDt replica being restarted	tstpal_y	RDt successful switch to p mode
Stp_Tst	Input place of the block used to stop RDt	stp1t, stp2t	Transitions of the block used to stop RDt
		rstpal	Restart of RDp
		loc_Tst	Local failure of RDt
		rstst	Restart of RDt
		tstpal_n	RDt failed switch to p mode

**Figure 6.** Step 3 (RDp-RDs-RDt)

**Step 4:** EXt is integrated as shown in Figure 7.

The EXt module accounts for two failure modes: computer manager failure, modeled by timed transition  $cm_f$  and operating system failure, modeled by timed transition  $os_f$ . If  $cm_f$  occurs, the computer manager is automatically reloaded, and if  $os_f$  occurs the executive software should be manually rebooted and afterwards the computer manager is reloaded. The failure or the stop of EXt leads to the stop of RDt. This interaction is modeled by initializing the existing block  $Stp\_Tst$ . Note that reusing the same block is made possible thanks to transition  $stp2t$  that is effectively fired each time the block is initialized while RDt is already down (e.g., EXt failure while RDt being down).

The four steps of RCC model construction described above clearly show that, with the incremental approach, only a few assumptions are added at each modeling step. Therefore, the incremental approach allows the users to handle, more easily, the modeling of complex interactions.

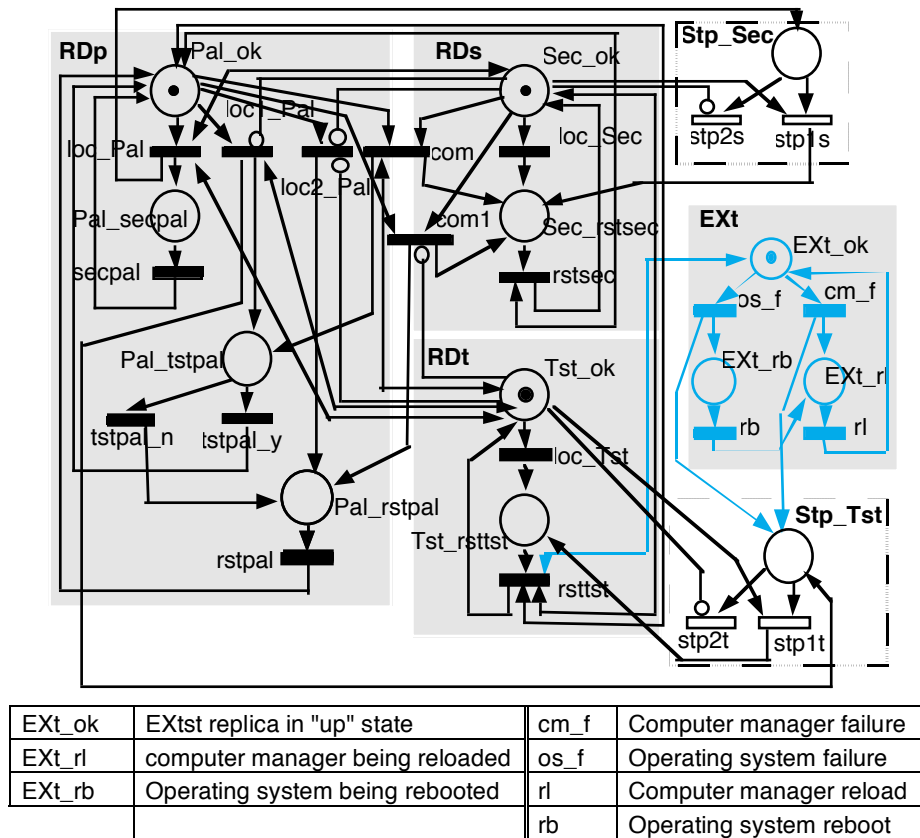


Figure 7. Step 4 (RDp-RDs-RDt-EXt)

**Resulting model.** Table 5 gives, for each step of the incremental modeling, the additional component name accounted for in this step, the size of the GSPN model (number of places and transitions) and the number of states of the Markov chain. The final model has 116 places and 501 transitions; the associated reduced Markov chain has 22831 states. State truncation was used starting from step 11 to reduce the complexity of the Markov chain by eliminating some of the states whose probability of occupation is non significant. A truncation depth of 4 means that the scenarios constituted by more than 4 successive failures are not considered in the model. This empirical truncation strategy does not necessarily lead to the elimination of the lowest probability states, however, the ones which are eliminated are guaranteed to not have a significant impact on the dependability measures (see e.g. [16] for other truncation algorithms).

Step	Additional component	Truncation depth	# Places	#Transitions	#Markov states
1	RDp	-	2	2	2
2	RDs	-	6	9	4
3	RDt	-	10	16	10
4	EXt	-	13	20	20
5	EXs	-	17	36	34
6	EXp	-	28	86	42
7	COHAB	-	39	110	252
8	FPp	-	66	198	880
9	FPs	-	72	208	1443
10	BR	-	77	220	5751
11	LAN	4	82	235	5173
12	BF	4	87	249	11974
13	DGt	4	90	255	16155
14	DGs	4	99	310	23218
15	DGp	3	109	394	11670
16	WSt	3	112	414	15295
17	WSs	3	114	440	20357
18	WSp	3	116	501	22831

**Table 5.** Steps of the incremental modeling approach

After each integration step, the model was structurally and semantically validated. In the Markov chain of a given step, one can identify a sub-chain identical to a sub-chain of the Markov chain corresponding to the previous step, and which paths have already been validated.

Figure 8 illustrates the semantic validation performed on the Markov chains generated at steps 2 and 3 (bold lines and characters bring out the elements of the chain of step 2, while paths of this chain that are changed at step 3 are signaled by dotted line in the new chain; for the seek of conciseness the transition rates are named as the corresponding timed transitions in the GSPN of figure 6).

## 6. Results

Using the Markov chain generated at the final step of the incremental modeling approach (i.e., step 18), measures  $UA(X)$  and  $W(X)$  — defined in Section 2 related to the failure modes  $X$  identified in Table 2 ( shaded lines) — have been evaluated. These measures allow comparison of different fault tolerance strategies of the RCC system as well as the comparison of various strategies for FP and RD replicas distribution on the DG computers (i.e., the configuration strategies), to identify an optimal solution.

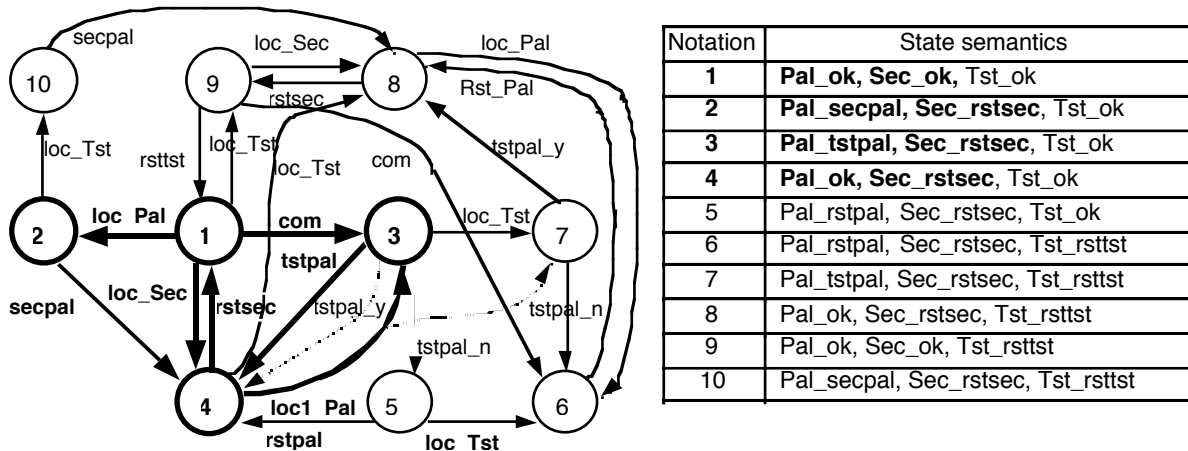


Figure 8. Markov chain of step 3 corresponding to the GSPN of figure 6

Sensitivity analyses with respect to the most significant reliability parameters (considering different parameter values) are then performed for the optimal architecture. The objectives are to identify: 1) the components whose reliability improvement have the most important impact on air traffic safety, and 2) the parameters on which operational reliability data collection should focus in the future. For the evaluation purpose, the hardware reliability parameters were obtained from the equipment providers, while some of the software reliability data items were collected during the RCC operation. When the numerical values of the parameters were not available, they have been evaluated using data available on similar systems [4, 15, 19]. The uncertainty was accounted for by performing sensitivity analysis with respect to the main reliability parameters.

We illustrate the RCC system evaluation results by presenting the influence of configuration strategies and the impact of the RD fault tolerance strategies on the RCC measures. Additionally, we give examples of results concerning the global measures of the CAUTRA.

### 6.1. Influence of RCC configuration strategies

Dependability measures  $UA(X)$  and  $W(X)$  have been computed for the six configuration strategies (C1-C6) defined in Table 3. Besides measures corresponding to the six failure modes  $X$  defined in Table 2 (shaded lines) an additional one is computed, denoted “FP\_all”, gathering all possible FP failure modes, including those without significant impact on traffic safety but that significantly contribute to the service unavailability, bothering the controllers. Also, the definition of FP\_all allowed us to compare our modeling results with data available from the field, which do not distinguish between FP failure modes. The results are given in Table 6 in which the shaded lines give the values of the corresponding measures observed during one year of operation of the five RCCs. The relative low difference between the observed and the evaluated values strengthens our confidence in the validity of the evaluation. Moreover, our estimations are pessimistic, which is preferable to optimistic estimations.

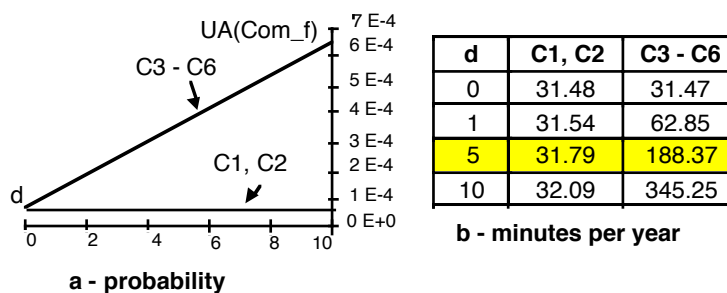
These estimations were also completed by sensitivity analyzes to evaluate the impact on the results of the main reliability parameters.

UA(X) [minutes/year]	C1, C2	C3 - C6	W(X) [1/year]	C1, C2	C3 - C6
UA(Com_f)	31.8	188.4	W(Com_f)	0.02	1.76
UA(FP_hd)	16.9	16.9	W(FP_hd)	1.01	1.01
UA(FP_ld)	113.2	113.1	W(FP_ld)	9.83	9.82
UA(FP_tl)	3.8	3.7	W(FP_tl)	0.12	0.12
Observed M1	-	123.3 (C3 only)			
UA(RD_f)	12.6	12.6	W(RD_f)	1.21	1.20
Observed UA(RD_f)	-	10.5			
UA(RD_f∩FP_tl)	$1.8 \cdot 10^{-4}$	$2.6 \cdot 10^{-4}$	W(RD_f∩FP_tl)	$2 \cdot 10^{-5}$	$1.5 \cdot 10^{-5}$
UA(FP_all)	206.0	205.9	W(FP_all)	47.02	47
Observed UA(FP_all)	-	202			

$$M1 = [UA(FP\_tl) + UA(FP\_hd) + UA(FP\_ld)]$$

**Table 6.** RCC measures for the six RCC configurations

The evaluation results presented in Table 6 show that two classes of configuration strategies can be distinguished. The difference between these classes is due to the way the communication between RDp and FPs is accomplished for flight plan correlation: for (C1 & C2) this communication is internal and performed locally by the executive software of the DG computer, while for (C3-C6), it is done externally through the LAN. The main difference is perceived for the measures concerning the “Com\_f” failure mode, corresponding to a degradation level L3. These two classes are compared for different values of "d", the ratio of the failure rate of the LAN and the failure rate of the internal communication. The results concerning UA(Com\_f) are presented in Figure 9. It can be concluded that the configuration strategies C1 & C2 are always preferred to (C3-C6); the difference is decreasing with the improvement of the LAN reliability (decrease of d). This result is consistent with the fact that the LAN is critical for the communication between FP and RD for configurations (C3-C6).



**Figure 9.** UA(Com\_f) as a function of d

## 6.2. Influence of the RD fault tolerance strategies

A different fault tolerance strategy could be envisaged for the RD system, by transforming the warm spare RD*t* into a cold one (this would allow to continuously use the third cluster for testing new versions of RD software, but it would take more time for switching from RD*t* to RD*p*). The only measures that are affected concern RD\_f. Figure 10 presents the results for both strategies, for different values of the RD software failure rate,  $\lambda_{RD}$  (the shaded line corresponds to the nominal value of  $\lambda_{RD}$ ).

Note that, compared to the warm RD*t* spare, a cold one implies a higher unavailability with respect to the RD\_f failure mode. The unavailability increase is greater if the RD software failure rate is significantly higher than the nominal assumed value. Variation of other reliability parameters has no significant influence on the difference between these measures for the two strategies. Note that, for both strategies, UA(RD\_f) is highly sensitive to the value of RD software failure rate.

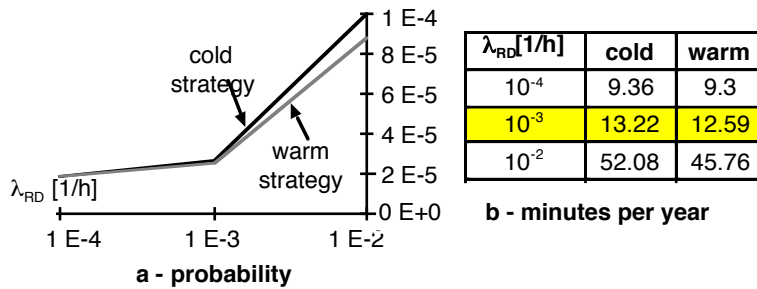


Figure 10. UA(RD\_f) as a function of  $\lambda_{RD}$ , for both RD fault tolerance strategies

## 6.3. Global measures

By combining partial dependability measures evaluated for the CAUTRA subsystems (as shown in the Appendix), we computed the global dependability measures UA\_Ln and W\_Ln, defined with respect to the significant degradation levels Ln,  $n = [1, \dots, 4]$  introduced in Table 1.

In the sequel, we first analyse the influence of the RCC configuration strategies on the global measures, then we evaluate these measures for a reference CAUTRA architecture to give an idea about the influence of the CAUTRA on air traffic safety.

**Comparison of RCC configurations.** Considering the six RCC configuration strategies, the main difference in the global measures is perceived for L3. This is due to the fact that changing the configuration strategy impacts only the RCC measures concerning the "Com\_f" failure mode, which involves a degradation level L3. The results for UA\_L3 and W\_L3 are given in Table 7 where UA\_L3 and W\_L3 are to be compared respectively with UA(Com\_f) and W(Com\_f) of Table 6. If we compare the second configuration class with the first one, UA(Com\_f) is multiplied by 6 and W(Com\_f) by

about 100, while the corresponding global measures are only multiplied by 2 and 1.125 respectively. This is due to the important contribution of other RCC failure modes (FP\_hd and FP\_ld) as well as to the contribution of the other CAUTRA subsystems to the L3 global measures. The significant influence of the RCC configuration is thus smoothed when considering the global measures. However, it is still important as the unavailability is multiplied by 2.

	C1, C2	C3 - C6
UA_L3 [minutes / year]	826.70	1609.60
W_L3 [1 / year]	56.44	63.72

**Table 7.** UA\_L3 and W\_L3 values for RCC configurations

**Measures of a reference configuration.** Considering a reference configuration for each CAUTRA subsystem (the COC and the five RCC) and the nominal values for the model parameters, we evaluate the CAUTRA unavailability and the asymptotic frequency for the four service degradation levels.

Table 8 gives these measures:

- Fortunately, the most critical service degradation levels (L1 and L2) are not very frequent and their duration is very short. This means that CAUTRA failures have very small impact on air traffic safety.
- The most frequent service degradation level is L3, due to the fact that several single failure modes lead to L3.
- The very low values of unavailability and frequency corresponding to L4 are due to the fact that only two failure modes are concerned. Moreover, they are both related to the centralized system IFP (IFP\_ld failure mode) and to the connection of this system with the telecommunication network, TN (see Table 2) whose functions are less critical.

	UA_Ln		W_Ln	
	Probability	[min/an]	[1/hour]	[1/year]
L1	2.28E-09	0.0012	1.31E-08	0.00011
L2	1.60E-04	84.1	7.69E-04	6.73
L3	1.57E-03	826.7	6.44E-03	56.44
L4	2.75E-05	14.4	7.75E-05	0.67

**Table 8.** Global measures of the reference configuration

## 7. Conclusions

This paper summarizes the results of a case study dealing with the analysis and evaluation of the impact of CAUTRA failures on air traffic safety. The effects of these failures on the service delivered to the controllers to ensure traffic safety are grouped into five degradation levels. To be able to evaluate



the system dependability with respect to these levels and to master the model complexity, we have applied a GSPN-based modeling approach presented in [9] which consists in modeling the system as a set of modules interconnected via coupling mechanisms describing interactions between components. The model is constructed in several steps following an incremental approach. Each step integrates the failure and recovery assumptions of an additional component and updates the model obtained in the previous step by modeling the impact of the new component on the behavior of those already considered by the model.

Thanks to this approach, we were able to build and validate complex models of several thousands of Markov states for the CAUTRA. The results allowed us to analyze several configurations of the CAUTRA architecture and to identify improvement areas to reduce the impact of CAUTRA failures on air traffic safety. The architecture was modeled at a level of detail that made it possible to assess the impact of software and hardware failures, considering different levels of service degradation. Sensitivity analyses with respect to dependability parameters were also performed. Only some results concerning the RCC subsystem could be discussed in the paper. They show that the main variation in dependability measures is related to: 1) communication failures between Radar Data processing and Flight Plan processing replicas, and 2) software failure rate of Radar Data processing replicas. The impact of communication failures is minimized when these replicas run on the same cluster compared to the case where communication is performed via an external network. This result is in agreement with the previous study we have done on a former architecture of the CAUTRA where only service unavailability was analyzed without considering different levels of service degradation [18]. Moreover, the measures derived from our models compare well with those observed on the CAUTRA system which is currently in operation.

On one hand, our study allowed us to provide feedback to the CAUTRA development and operation teams. On the other hand, it gave us the opportunity to experiment the applicability of the modeling approach presented in [9] to a complex real-life system. One possible extension of this work is to analyze the impact of CAUTRA failures on air traffic performance. Indeed, the occurrence of CAUTRA failures leads, in some situations, to air traffic limitations and delays. The same modeling framework could be used, by including reward parameters characterizing performance degradation for different failure and recovery scenarios.

## References

- [1] E. Amadio, P. Iaboni, M. Lamanna, et al., "Implementation of High-Availability Mechanisms in the Air Traffic Control SIR-S System," 24th Int. Sym. on Fault-Tolerant Computing (FTCS-24), Austin, TX, USA, 1994, pp. 134-136.
- [2] A. Avizienis and D. E. Ball, "On the Achievement of a High Dependable and Fault-Tolerant Air Traffic Control System," IEEE Computer, vol. 2, pp. 84-90, 1987.

- [3] C. Béounes, M. Aguéra, J. Arlat, et al., "SURF-2: A Program for Dependability Evaluation of Complex Hardware and Software Systems," 23rd Int. Sym. on Fault-Tolerant Computing (FTCS-23), Toulouse, France, 1993, pp. 668-673.
- [4] X. Castillo and D. P. Siewiorek, "Performance and Reliability of Digital Computing Systems," 25th Int. Symp. on Fault-Tolerant Computing (FTCS-25), Pasadena, CA, USA, 1995, pp. 367-372.
- [5] G. Ciardo and K. S. Trivedi, "A Decomposition Approach for Stochastic Reward Net Models," Performance Evaluation, pp. 37-59, 1993.
- [6] F. Cristian, B. Dancey, and J. Dehn, "Fault Tolerance in the Advanced Automation System," 20th Int. Sym. on Fault-Tolerant Computing (FTCS-20), Newcastle, UK, 1990, pp. 6-17.
- [7] B. Dugan, S. J. Bavuso, and M. A. Boyd, "Dynamic Fault-Tree Models for Fault-Tolerant Computer Systems," IEEE Transactions on Reliability, vol. 41, pp. 363-377, 1992.
- [8] N. Fota, "Incremental Specification and Construction of Dependability Models - Application to CAUTRA Air Traffic Control Computing System," PhD, INPT, LAAS Report 97-151, 1997 (in French).
- [9] N. Fota, M. Kaâniche, and K. Kanoun, "A Modular and Incremental Approach for Building Complex Stochastic Petri Net Models," 1st Int. Conference on Mathematical Methods in Reliability (MMR'97), Bucharest, Romania, 1997, pp. 151-158.
- [10] N. Fota, M. Kaâniche, K. Kanoun, et al., "Dependability Global Modeling and Evaluation of the CAUTRA System," , LAAS Report 97-172, 1997 (in French).
- [11] N. Fota, M. Kaâniche, K. Kanoun, et al., "Safety Analysis and Evaluation of an Air Traffic Control Computing System," 15th Int. Conf. on Computer Safety, Reliability and Security (SAFECOMP'96), Vienna, Austria, 1996, pp. 219-229.
- [12] J. M. Garot and T. Hawker, "Evaluating Proposed Architectures for the FAA's Advanced Automation System," IEEE Computer, vol. 2, pp. 33-45, 1987.
- [13] K. K. Goswami, R. K. Iyer, and L. Young, "DEPEND: A Simulation-Based Environment for System Level Dependability Analysis," IEEE Transactions on Computers, vol. 46, pp. 60-74, 1997.
- [14] A. Goyal and S. S. Lavenberg, "Modeling and Analysis of Computer System Availability," IBM Journal of Research and Development, vol. 31, pp. 651-664, 1987.
- [15] J. Gray, "Why Do Computers Stop and What Can be Done About it?," 5th Int. Symp. on Reliability in Distributed Software and Database Systems, Los Angeles, CA, USA, 1986, pp. 3-12.
- [16] B. R. Haverkort, "Approximate Performability and Dependability Analysis using Generalized Stochastic Petri Nets," Performance Evaluation, pp. 61-78, 1993.
- [17] K. Kanoun and M. Borrel, "Dependability of Fault-Tolerant Systems - Explicit Modeling of the Interactions between Hardware and Software Components," IEEE Int. Computer Performance & Dependability Sym. (IPDS'96), Urbana-Champaign, IL, USA, 1996, pp. 252-261.
- [18] K. Kanoun, M. Borrel, T. Morteveille, et al., "Modeling the Dependability of CAUTRA, a Subset of the French Air Traffic Control System," 26th Int. Sym. on Fault-Tolerant Computing (FTCS-26), Sendai, Japan, 1996, pp. 106-115.
- [19] I. Lee and R. K. Iyer, "Software Dependability in the Tandem Guardian System," IEEE Transactions on Software Engineering, vol. 21, pp. 455-467, 1995.
- [20] M. Malhotra and K. S. Trivedi, "Power-Hierarchy of Dependability-Model Types," IEEE Transactions on Reliability, vol. 43, pp. 493-502, 1994.
- [21] A. L. Reibman and M. Veeraraghavan, "Reliability Modeling: An Overview for System Designers," IEEE Computer, vol. 24, pp. 49-57, 1991.

- [22] W. Sanders and J. Meyer, "Reduced Base Model Construction for Stochastic Activity Networks," IEEE Journal on Selected Areas in Communications, vol. 9, pp. 25-36, 1991.
- [23] S. Visram, W. Artner, and P. Marsden, "Safety Case for the NERC Air Traffic Control System," 15th Int. Conf. on Computer Safety, Reliability and Security (SAFECOMP'96), Vienna, Austria, 1996, pp. 346-361.

## APPENDIX: Global measures evaluation

As dependencies between the CAUTRA subsystems (COC, the five RCCs and the telecommunication network) are weak, the partial measures related to the various subsystems can be combined to obtain the global ones using of a fault-tree like, combinatorial model.

In this Appendix, we focus on unavailability measures, UA. The asymptotic frequency, W, is obtained in a similar manner.

UA<sub>Ln</sub> are evaluated by combining the partial measures UA(X) as follows:

$$UA_{Ln} \cong \sum_{SingleFM} UA(s) + \sum_{DoubleFM} UA(d)$$

where *s* stand for single failure modes and *d* for combinations of failure modes, leading to Ln degradation level.

Suppose that failure mode *d* represents the combination of single failure modes *s1* and *s2*. The following apply:

$$UA(d) = UA(s1 \cap s2) = UA(s1) UA(s2)$$

where UA(*s1*) and UA(*s2*) are evaluated independently from different models, except for the combinations of failure modes involving the RD and the FP systems of a same RCC. In this case, UA(*d*) is evaluated directly from the Markov model of the RCC as performed in Section 5.2.

Table A1 gives the equations for UA. The formulation is directly based on the analysis presented in Table 2. For example, for L1, only two failure modes are identified: RD<sub>f</sub>∩IFP<sub>tl</sub> and RD<sub>f</sub>∩FP<sub>tl</sub>.

- UA(RD<sub>f</sub>∩IFP<sub>tl</sub>) is computed by multiplying the unavailabilities related to failure modes RD<sub>f</sub> and IFP<sub>tl</sub> evaluated respectively from the Markov models of RCC and IFP.
- as RD<sub>f</sub>∩FP<sub>tl</sub> concerns only combination of failures of RD and FP of the same RCC, it is derived from the RCC Markov model.

The sum accounts for the fact that there are 5 RCCs.

$UA\_L\ 1 \cong 5 [UA(RD\_f \cap IFP\_tl) + UA(RD\_f \cap FP\_tl)] \cong 5 UA(RD\_f) UA(IFP\_tl) + 5 UA(RD\_f \cap FP\_tl)$
$UA\_L\ 2 \cong UA(IFP\_tl) + 5 [UA(FP\_tl) + UA(RD\_f) + UA(FP\_hd \cap IFP\_ld) + UA(FP\_hd \cap IFP\_hd) + UA(FP\_hd \cap IFP\_TN\_f) + UA(FP\_hd \cap TN\_f) + UA(FP\_hd \cap FP\_TN\_f)]$ $\cong UA(IFP\_tl) + 5 [UA(FP\_tl) + UA(RD\_f)] + 5 UA(FP\_hd) [UA(IFP\_ld) + UA(IFP\_hd) + UA(IFP\_TN\_f) + UA(TN\_f) + UA(FP\_TN\_f)]$
$UA\_L\ 3 \cong UA(IFP\_hd) + UA(TN\_f) + 5 [UA(Com\_f) + UA(FP\_ld) + UA(FP\_hd) + UA(FP\_TN\_f)]$
$UA\_L\ 4 \cong UA(IFP\_ld) + UA(IFP\_TN\_f)$

**Table A1.** Equations of global measures UA\_Ln