



HAL
open science

Short-time Fourier transform laser Doppler holography

Michael Atlan, Benjamin Samson

► **To cite this version:**

Michael Atlan, Benjamin Samson. Short-time Fourier transform laser Doppler holography. 2012.
hal-00756281v1

HAL Id: hal-00756281

<https://hal.science/hal-00756281v1>

Preprint submitted on 22 Nov 2012 (v1), last revised 4 May 2013 (v2)

HAL is a multi-disciplinary open access archive for the deposit and dissemination of scientific research documents, whether they are published or not. The documents may come from teaching and research institutions in France or abroad, or from public or private research centers.

L'archive ouverte pluridisciplinaire **HAL**, est destinée au dépôt et à la diffusion de documents scientifiques de niveau recherche, publiés ou non, émanant des établissements d'enseignement et de recherche français ou étrangers, des laboratoires publics ou privés.

Short-time Fourier transform laser Doppler holography

Benjamin Samson¹ and Michael Atlan¹

¹ *Institut Langevin. Centre National de la Recherche Scientifique (CNRS) UMR 7587, Institut National de la Santé et de la Recherche Médicale (INSERM) U 979, Université Pierre et Marie Curie (UPMC), Université Paris Diderot. École Supérieure de Physique et de Chimie Industrielles - 10 rue Vauquelin. 75005 Paris. France*
(Dated: November 22, 2012)

We report a demonstration of laser Doppler holography at a sustained acquisition rate of 250 Hz on a 1 Megapixel complementary metal–oxide–semiconductor (CMOS) sensor array and image display at 10 Hz frame rate. The holograms are optically acquired in off-axis configuration, with a frequency-shifted reference beam. Wide-field imaging of optical fluctuations in a 250 Hz frequency band is achieved by turning time-domain samplings to the dual domain via short-time temporal Fourier transformation. The measurement band can be positioned freely within the low radio-frequency spectrum by tuning the frequency of the reference beam in real-time. Video-rate image rendering is achieved by streamline image processing with commodity computer graphics hardware. This experimental scheme is validated by a non-contact vibrometry experiment.

Though effective for single-point analysis [1], laser Doppler measurements are more difficult to perform in wide-field imaging configuration, because of a technological challenge : digital image frames have to be read out at kHz rates and beyond to perform short-time discrete Fourier transforms (DFT) [2]. Recently, image-plane laser Doppler recordings with a high throughput CMOS camera in conjunction with short-time DFT calculations by a field programmable gate array (FPGA) reportedly enabled continuous monitoring of blood perfusion about the mm/s. Full-field flow maps of 480×480 pixels were rendered at a rate of 14 Hz, obtained from image recordings at a frame rate of 14.9 kHz [3]. For transient dynamics imaging of faster phenomena, high throughput laser Doppler schemes were designed by multipoint [4] or time multiplexing [5] approaches. High speed holography enabled offline vibrometry from time-resolved optical phase measurements [6]. Heterodyne holography, as a variant of time-averaged holography [7, 8] with a strobe [9] or a frequency-shifted reference beam [10, 11], is appropriate for steady-state (at the scale of the exposure time) mechanical vibrations mapping. Advances in reconstruction techniques of optically-measured digital holograms with Graphics Processing Units (GPUs) [12, 13] have led to real-time holographic screening of a single vibration frequency, demonstrated in this regime [14].

In this letter, we report an experimental demonstration of video-rate image reconstruction and display of laser fluctuation spectra from high speed holographic measurements. Sustained Fresnel reconstruction of off-axis holograms at 250 Hz and 10 Hz rendering by short-time DFTs is performed. Images and RF spectra of a thin metallic plate's out-of-plane vibration modes around 3.2 kHz are presented.

The optical setup is similar to the one reported in the demonstration of video-rate vibrometry at a single fre-

quency [14], at the difference that a high throughput CMOS camera is used to achieve megapixel recordings at 250 frames per second. An off-axis, frequency-shifted Mach-Zehnder interferometer is used to perform a multipixel heterodyne detection of an object field E beating against a separate LO field E_{LO} , in reflective geometry. The main optical radiation field is provided by a 100 mW, single-mode laser (wavelength $\lambda = 532$ nm, optical frequency $\nu_L = 5.6 \times 10^{14}$ Hz, Oxxius SLIM 532). The optical frequency of the LO beam is shifted by an arbitrary quantity $\Delta\nu$ in the low RF range by two acousto-optic modulators (AA-electronics, MT80-A1.5-VIS). The object studied is a thin metallic plate with hexagonal holes, shined over $\sim 30 \text{ mm} \times 30 \text{ mm}$ with ~ 50 mW of impinging light. It is excited with a piezo-electric actuator (PZT, Thorlabs AE0505D08F), vibrating sinusoidally, driven at 10 V. The structure's vibrations provoke a local phase modulation ϕ (eq.7) of the backscattered optical field E . Interference patterns are measured with a Basler A504k camera (Micron MV13 progressive scan CMOS sensor array of 1280×1024 pixels, quantum efficiency ~ 25 % at 532 nm). The camera is run in external trigger mode at $\nu_S = \omega_S/(2\pi) = 250$ Hz, at 8 bit/pixel quantization. Images of the central 1024×1024 pixels region are recorded. The image acquisition is interfaced with a National Instruments NI PCIe-1433 frame grabber. Each raw interferogram digitally acquired at time t , noted $\mathcal{I}(t) = |E(t) + E_{LO}(t)|^2$ is dumped to a $1024 \times 1024 \times 1$ byte frame buffer in the GPU RAM of a NVidia GTX 580 graphics card by a CPU thread (fig. 1). The object field of complex amplitude \mathcal{E} is noted

$$E = \mathcal{E} \exp(i\omega_L t + i\phi(t)) \quad (1)$$

where $\omega_L = 2\pi\nu_L$ and $\phi(t)$ is the fluctuating phase, as a result of optical path length modulation. The acousto-optic modulators enable the optical LO field of complex amplitude \mathcal{E}_{LO} to be detuned by $\Delta\nu = \Delta\omega/(2\pi)$

$$E_{LO} = \mathcal{E}_{LO} \exp(i\omega_L t + i\Delta\omega t) \quad (2)$$

Holographic image rendering from each recorded interferogram is performed with a numerical Fresnel transform. The hologram I , back-propagated to the object plane, is calculated by forming the Fast Fourier Transform (FFT) \mathcal{F} of the product of \mathcal{I} with a quadratic phase map, depending on the relative curvature of the wavefronts of E and E_{LO} in the sensor plane. This calculation is handled by the GPU (thread #1, Fig. 1), by an algorithm elaborated with Microsoft Visual C++ 2008 and NVIDIA's Compute Unified Device Architecture (CUDA) software development kit 3.2. The practical implementation of free-space propagation with a discrete Fresnel transform [14, 15] yields complex-valued holograms $I = |E|^2 + |E_{\text{LO}}|^2 + E^*E_{\text{LO}} + EE_{\text{LO}}^*$ reconstructed in the object plane. In off-axis configuration [16], the zero-order terms $|E|^2$ and $|E_{\text{LO}}|^2$ and the twin-image term E^*E_{LO} can be filtered-out. After filtering, the remaining complex-valued contribution to the off-axis hologram is

$$H(t) = EE_{\text{LO}}^* = \mathcal{E}\mathcal{E}_{\text{LO}}^* \exp(i\phi(t) - i\Delta\omega t) \quad (3)$$

The heterodyne spectrum of the radiation field E is detected by a short-time discrete Fourier transform (DFT) of $H(t)$ over $N = 250$ consecutive samples (fig. 1, thread # 2), 10 times per second. The m -th Fourier component of the DFT,

$$\tilde{H}_m(t) = \sum_{n=1}^N H(t - n/\nu_S) \exp(-2i\pi mn/N) \quad (4)$$

is a heterodyne measure of the laser fluctuation spectrum at time t , at frequency $\Delta\nu + \nu_m$

$$\tilde{H}_m(t) = \tilde{H}(t, \Delta\nu + \nu_m) \quad (5)$$

The discrete frequencies ν_m of the measured spectra lie within the Nyquist limits of the camera bandwidth $\pm\nu_S/2$, while the LO detuning frequency $\Delta\nu$ can be set arbitrarily by the acousto-optic modulators (fig. 2).

We assessed the thin metal plate's out-of-plane vibration modes around 3.2 kHz with the presented holographic approach. The metallic structure was excited sinusoidally at one ($P = 1$) or two ($P = 2$) frequencies ν_{M_1} , and ν_{M_2} . In either case, the resulting out-of-plane motion at a given point of the surface of the plate is

$$z(t) = \sum_{p=1}^P z_p \sin(\omega_{M_p} t) \quad (6)$$

where $\omega_{M_p} = 2\pi\nu_{M_p}$ and z_p are the angular frequency and the local amplitude of each component, respectively. The phase modulation of the backscattered light is

$$\phi(t) = \frac{4\pi}{\lambda} z(t) = \sum_{p=1}^P \phi_p \sin(\omega_{M_p} t) \quad (7)$$

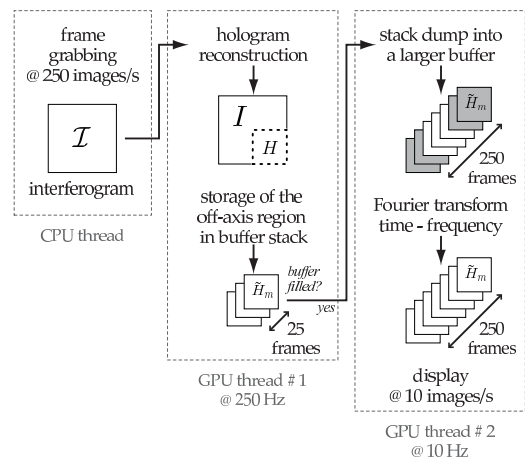


FIG. 1: Algorithmic layout of holographic rendering. Raw interferograms are recorded by the main CPU thread. Spatial Fresnel transforms are performed by a first GPU thread. Short-time temporal Fourier transforms are performed by a second GPU thread.

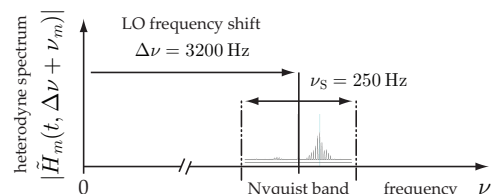


FIG. 2: Sketch of the spectral screening region.

where $\phi_p = 4\pi z_p/\lambda$. The temporal part of the field undergoing sinusoidal phase modulation can be decomposed in a basis of Bessel functions with the Jacobi–Anger identity. If $P = 1$, the object field is

$$E = \mathcal{E} \exp(i\omega_L t) \sum_{n=-\infty}^{\infty} J_n(\phi_1) \exp(in\omega_{M_1} t) \quad (8)$$

where J_n is the Bessel function of the first kind of rank n . The only remaining low frequency, camera-filtered term in eq. 3 beating around $\Delta\nu$, within the Nyquist domain (i.e. for $|\nu_{M_1} - \Delta\nu| < \nu_S/2$) is

$$H_{\text{LF}}(t) = \mathcal{E}_{\text{LO}}^* \mathcal{E} J_1(\phi_1) \exp(i\omega_{M_1} t - i\Delta\omega t) \quad (9)$$

This modulated hologram yields a single component in the short-time DFT spectrum $\tilde{H}_m(t)$, at the frequency $\nu_m = \nu_{M_1} - \Delta\nu$. In the first part of the movie (media 1, when $P = 1$), the excitation frequency ν_{M_1} was swept from 3210 Hz to 3290 Hz, and the LO was detuned by $\Delta\nu = 3200$ Hz; the measurement frequency ν_m of the short-time DFT was swept concurrently from 10 Hz to 90 Hz, in 5 Hz steps. The reported spectra result from the magnitude $|\tilde{H}(t, \Delta\nu + \nu_m)|$ averaged within the red square superimposed on the vibration maps.

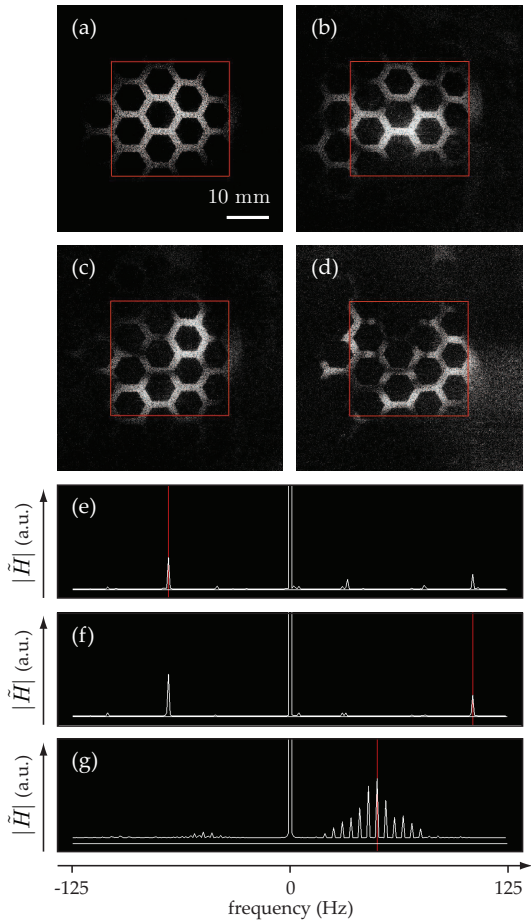


FIG. 3: Short-time Fourier transform vibration maps and spectra of a metallic structure excited sinusoidally. No excitation (a). Excitation at $P = 2$ frequencies : $\nu_{M_1} = 3200 + 100$ Hz and $\nu_{M_2} = 3200 - 70$ Hz (b-c,e-f). Excitation at $P = 2$ frequencies : $\nu_{M_1} = 3200 + 50$ Hz and $\nu_{M_2} = 3200 + 45$ Hz (d,g). LO detuning : $\Delta\nu = 3200$ Hz; The movie of the experiment is reported in media 1.

The metallic structure was then excited sinusoidally at two frequencies : ν_{M_1} , and ν_{M_2} . The object field undergoing phase modulation from a double excitation ($P = 2$ in eq. 7) takes the form

$$E = \mathcal{E} \exp(i\omega_L t) \prod_{p=1}^2 \sum_{n=-\infty}^{\infty} J_n(\phi_p) \exp(in\omega_{M_p} t) \quad (10)$$

The terms of eq. 3 modulated at frequencies within the camera bandwidth $\pm\omega_S/2$ are actually measured. The others are filtered-out. The temporal part of the camera-filtered hologram reduces to the low frequency component

$$H_{LF}(t) = \mathcal{E}_{LO}^* \mathcal{E} e^{-i\Delta\omega t} \sum_{n \geq 0} c_{n+1,1} c_{-n,2} + c_{-n,1} c_{n+1,2} \quad (11)$$

where

$$c_{n,p} = J_n(\phi_p) \exp(in\omega_{M_p} t) \quad (12)$$

Eq.11 yields the frequency comb observed in fig.3(g), whose peaks are separated by $|\nu_{M_2} - \nu_{M_1}| = 5$ Hz. In the second part of the movie reported in media 1, the first excitation frequency was set to $\nu_{M_1} = 3290$ Hz, the second one was swept from $\nu_{M_2} = 3290$ Hz to $\nu_{M_2} = 3250$ Hz, in 5 Hz steps. The frequency comb broadened with $|\nu_{M_2} - \nu_{M_1}|$ in accordance with equations 11 and 12. For a larger frequency difference $|\nu_{M_2} - \nu_{M_1}|$, only two lines of the comb are visible (fig.3(e,f)).

In conclusion, we performed laser Doppler imaging from sustained sampling of 1 Mega pixel interferograms at a throughput of 250 Mega bytes per second, and rendering of 0.25 Mega pixel off-axis heterodyne holograms by short-time discrete Fourier transform with a refreshment rate of 10 Hz. This demonstration was made with commodity computer graphics hardware. We reported video-rate optical monitoring of out-of-plane vibration amplitudes in a frequency band of 250 Hz, shifted by 3.2 kHz from DC. This demonstration opens the way to high bandwidth laser Doppler holography in real time.

-
- [1] P. Castellini, M. Martarelli, and E. Tomasini, *Mechanical Systems and Signal Processing* **20**, 1265 (2006).
 - [2] J. Allen and L. Rabiner, *Proceedings of the IEEE* **65**, 1558 (1977).
 - [3] M. Leutenegger, E. Martin-Williams, P. Harbi, T. Thacher, W. Raffoul, M. André, A. Lopez, P. Lasser, and T. Lasser, *Biomedical Optics Express* **2**, 1470 (2011).
 - [4] J. Kilpatrick and V. Markov, *Proc. of SPIE* **7098**, 709809 (2008).
 - [5] Y. Fu, M. Guo, and P. B. Phua, *Appl. Opt.* **50**, 1280 (2011).
 - [6] G. Pedrini, W. Osten, and M. E. Gusev, *Appl. Opt.* **45**, 3456 (2006).
 - [7] R. L. Powell and K. A. Stetson, *J. Opt. Soc. Am.* **55**, 1593 (1965).
 - [8] P. Picart, J. Leval, D. Mounier, and S. Gougeon, *Opt. Lett.* **28**, 1900 (2003).
 - [9] P. Hariharan, B. F. Oreb, and C. H. Freund, *Appl. Opt.* **26**, 3899 (1987).
 - [10] C. C. Aleksoff, *Applied Optics* **10**, 1329 (1971).
 - [11] F. Joud, F. Verpillat, F. Laloë, M. Atlan, J. Hare, and M. Gross, *Opt. Lett.* **34**, 3698 (2009).
 - [12] T. Shimobaba, Y. Sato, J. Miura, M. Takenouchi, and T. Ito, *Opt. Express* **16**, 11776 (2008).
 - [13] L. Ahrenberg, A. J. Page, B. M. Hennelly, J. B. McDonald, and T. J. Naughton, *J. Display Technol.* **5**, 111 (2009).
 - [14] B. Samson, F. Verpillat, M. Gross, and M. Atlan, *Opt. Lett.* **36**, 1449 (2011).
 - [15] P. Picart, E. Moisson, and D. Mounier, *Applied Optics* **42**, 1947 (2003).
 - [16] E. Cuche, P. Marquet, and C. Depeursinge, *Applied Optics* **39**, 4070 (2000).