



HAL
open science

Scalable Video Coding in Content-Aware Networks: Research Challenges and Open Issues

Michael Grafl, Christian Timmerer, Hermann Hellwagner, Daniel Negru,
Eugen Borcoci, Daniele Renzi, Anne-Lore Mevel, Alex Chernilov

► **To cite this version:**

Michael Grafl, Christian Timmerer, Hermann Hellwagner, Daniel Negru, Eugen Borcoci, et al.. Scalable Video Coding in Content-Aware Networks: Research Challenges and Open Issues. Trustworthy Internet, Springer, pp.349-358, 2011, 978-88-470-1817-4. 10.1007/978-88-470-1818-1_26 . hal-00748547

HAL Id: hal-00748547

<https://hal.science/hal-00748547>

Submitted on 5 Nov 2012

HAL is a multi-disciplinary open access archive for the deposit and dissemination of scientific research documents, whether they are published or not. The documents may come from teaching and research institutions in France or abroad, or from public or private research centers.

L'archive ouverte pluridisciplinaire **HAL**, est destinée au dépôt et à la diffusion de documents scientifiques de niveau recherche, publiés ou non, émanant des établissements d'enseignement et de recherche français ou étrangers, des laboratoires publics ou privés.

Scalable Video Coding in Content-Aware Networks: Research Challenges and Open Issues

Michael Grafl¹, Christian Timmerer¹, Hermann Hellwagner¹, Daniel Negru², Eugen Borcoci³, Daniele Renzi⁴, Anne-Lore Mevel⁵, and Alex Chernilov⁶

¹Klagenfurt University, Universitätsstrasse 65-67, A-9020 Klagenfurt, Austria, {firstname.lastname}@itec.uni-klu.ac.at

²CNRS LaBRI Lab. – University of Bordeaux 1, 351 Cours de la Libération, 33400 Talence, France, daniel.negru@labri.fr

³University "Politehnica" of Bucharest (UPB), 1-3, Iuliu Maniu Ave., 061071, Bucharest 6, Romania, Eugen.Borcoci@elcom.pub.ro

⁴bSoft ltd, 51 via Verdi, 62010 Appignano (MC), Italy, daniele@bsoft.net

⁵Thomson Grass Valley France, 40, rue de Bray, 35510 Cesson-Sevigné, France, Anne-lore.Mevel@grassvalley.com

⁶Optibase, 7 Shenkar St., P.O.Box 2170, Herzlia, 46120 Israel, Alexc@optibase.com

Abstract The demand for access to advanced, distributed media resources is nowadays omnipresent due to the availability of Internet connectivity almost anywhere and anytime, and of a variety of different devices. This calls for rethinking of the current Internet architecture by making the network aware of which content is actually transported. This paper introduces Scalable Video Coding (SVC) as a tool for Content-Aware Networks (CANs) which is currently researched as part of the EU FP7 ALICANTE project. The architecture of ALICANTE with respect to SVC and CAN is presented, use cases are described, and finally research challenges and open issues are discussed.

1 Introduction

In recent years the number of contents, devices, users, and means to communicate over the Internet has grown rapidly and with that the heterogeneity of all the involved entities. Many issues can be associated with that which are generally referred to as ongoing

research in the area of the Future Internet (FI) [1]. One project in this area is the European FP7 Integrated Project “MediA Ecosystem Deployment Through Ubiquitous Content-Aware Network Environments” (ALICANTE) [2] which proposes a novel concept towards the deployment of a new networked *Media Ecosystem*. The proposed solution is based on a flexible cooperation between providers, operators, and end users, finally enabling every user (1) to access the offered multimedia services in various contexts, and (2) to share and deliver her/his own audiovisual content dynamically, seamlessly, and transparently to other users.

Towards this goal, ALICANTE’s advanced concept provides *content-awareness* to the network environment, *context-awareness* (network/user) to the service environment, and *adapted services/content* to the end user for her/his best service experience possible, where the end user can take the role of a consumer and/or producer. The term *environment*, denotes a grouping of functions defined around the same functional goal and possibly spanning, vertically, one or more architectural (sub-)layers. This term is used to characterize a broader scope than the term *layer*.

The ALICANTE architecture introduces two novel virtual layers on top of the traditional network layer, i.e., a Content-Aware Network (CAN) layer for packet processing at network layer and a Home-Box (HB) layer for the actual content adaptation and delivery. Furthermore, Scalable Video Coding (SVC) is heavily employed for the efficient, bandwidth-saving delivery of media resources across heterogeneous environments (cf. Section 2). Technical use cases that will benefit from this architecture are outlined in Section 3 and Section 4 details the research challenges and open issues to be addressed in the course of the project. Finally, the paper is concluded in Section 5.

2 ALICANTE: MediA Ecosystem Deployment Through Ubiquitous Content-Aware Network Environments

2.1 Overview and System Architecture

The ALICANTE architecture promotes advanced concepts such as content-awareness to the network environment, user context-awareness to the service environment, and adapted services/content to the end user for her/his best service experience, for both consumer and producer roles.

Two novel virtual layers are proposed on top of the traditional network layer as depicted in Figure 1: the *Content-Aware Network (CAN) layer* for network packet processing and a *Home-Box (HB) layer* for the actual content adaptation and delivery.

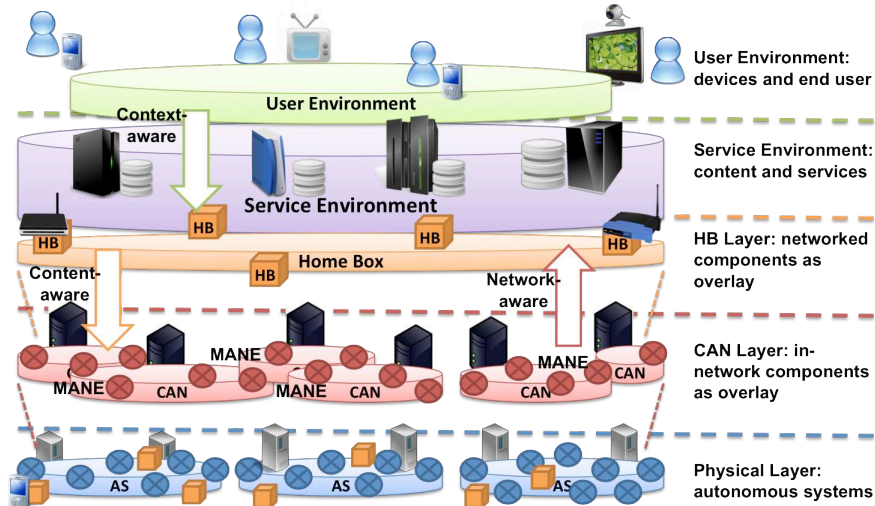


Figure 1. ALICANTE concept and system architecture.

Innovative components instantiating the CAN are called *Media-Aware Network Elements (MANE)*. They are actually CAN-enabled routers and associated managers, offering together content-aware and context-aware Quality of Service/Experience (QoS/QoE), content-aware security, and monitoring features, in cooperation with the other elements of the ecosystem.

The upper layer, i.e., the *Service Environment*, uses information delivered by the CAN layer and enforces network-aware application

procedures, in addition to user context-aware ones. The Service Environment comprises Service Providers and Content Providers (SP/CP) which offer high-level media services (e.g., video streaming, video on demand, live TV) and to the end users.

The novel proposed *Home-Box (HB)* entity is a physical and logical entity located at end users' premises and gathering context, content, and network information essential for realizing the big picture. Associated with the architecture there exists an open, metadata-driven, interoperable middleware for the adaptation of advanced, distributed media resources to the users' preferences and heterogeneous contexts enabling an improved Quality of Experience. The adaptation will be deployed at both the HB and CAN layers making use of scalable media resources as outlined in the next section.

For more detailed information the interested reader is referred to [3].

2.2 Scalable Video Coding and Content-Aware Networks

The adaptation relies on Scalable Video Coding (SVC) [4]. SVC follows a layered coding scheme comprising a base layer and one or more enhancement layers with various dimensions. Three basic scalable coding modes are supported, namely spatial scalability, temporal scalability, and Signal to Noise Ratio (SNR) scalability, which can be combined into a single coded bit stream:

- **Spatial (picture size) scalability.** A video is encoded at multiple spatial resolutions. By exploiting the correlation between different representations of the same content with different spatial resolutions, the data and decoded samples of lower resolutions can be used to predict data or samples of higher resolutions in order to reduce the bit rate to code the higher resolutions.
- **Temporal (frame rate) scalability.** The motion compensation dependencies are structured so that complete pictures (i.e., their associated packets) can be dropped from the bit stream. Note that temporal scalability is already enabled by the Advanced Video Coding (AVC) standard and that SVC only

provides supplemental enhancement information to improve its usage.

- **SNR/Quality/Fidelity scalability.** Each spatial resolution is encoded at different qualities. The data and decoded samples of lower qualities can be used to predict data or samples of higher qualities in order to reduce the bit rate to code the higher qualities.

The adaptation deployed at the CAN layer will be performed in a Media-Aware Network Element (MANE) [5]. MANEs, which receive feedback messages about the terminal capabilities and delivery channel conditions, can remove the non-required parts from a scalable bit stream before forwarding it. Thus, the loss of important transmission units due to congestion can be avoided and the overall error resilience of the video transmission service can be substantially improved.

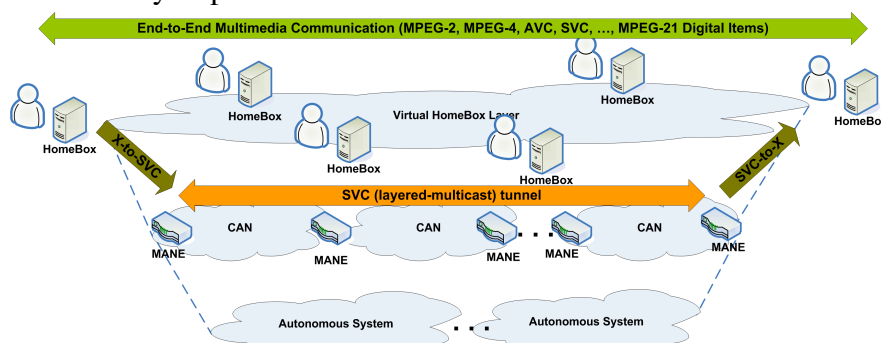


Figure 2. Concept of SVC (layered-multicast) tunnel.

Design options of in-network adaptation of SVC have been described in previous work [6] and first measurements of SVC-based adaptation in an off-the-shelf WiFi router have been reported in [7]. More complex adaptation operations that will be required to create scalable media resources, such as transcoding [8] of media resources which have increased memory or CPU requirements, will be performed at the edge nodes only, i.e., in the Home-Boxes. Therefore, the ALICANTE project will develop an SVC (layered-multicast) tunnel, as depicted in Figure 2, inspired by IPv6 over IPv4 tunnels. That is, within the CAN layer only scalable media resources – such as SVC – are delivered adopting a layered-multicast approach [9] which allows the adaptation of scalable media resources by the

MANEs implementing the concept of distributed adaptation. At the border to the user, i.e., the Home-Box, adaptation modules are deployed enabling device-independent access to the SVC-encoded content by providing X-to-SVC and SVC-to-X transcoding/rewriting functions with $X=\{\text{MPEG-2, MPEG-4 Visual, MPEG-4 AVC, etc.}\}$. An advantage of this approach is the reduction of the load on the network (i.e., no duplicates), making it free for (other) data (e.g., more enhancement layers). However, multiple adaptations may introduce challenges that have not been addressed in their full complexity (cf. Section 4).

The key innovations of the ALICANTE project with respect to service/content adaptation are as follows [10]:

- **SVC tunnels with in-network adaptation** will be set up, enabling *better network resource utilization* while maintaining a satisfactory QoE for the end user.
- Regarding the adaptation decision-taking framework, the project will aim at providing a **self-organizing control framework** including *adaptation decision aggregation* (for scalability reasons) and *propagation*.
- Means for **dynamic and intelligent adaptation of content at the Home-Box level** will be investigated, based on *distributed coordination with the CAN layer* to perform *optimal adaptation* and to *improve bandwidth* and *Home-Box's processing power usage*.
- A **metadata-driven in-network adaptation solution at the Content-Aware Network level** will be deployed enabling *dynamic adaptation based on context information* (terminal capabilities and network characteristics).
- Finally, a *test-bed and subjective tests for evaluating the QoE* for given use cases will provide the feedback for fine-tuning the parameters for the adaptation at the Home-Box and CAN levels.

3 Use Cases

In order to evaluate the concept of SVC in the context of CANs/HBs, several use cases have been defined, a selection thereof is briefly introduced in the subsequent sections.

3.1 Multicast/Broadcast

In this scenario, multiple users are consuming the same content from a single provider (e.g., live transmission of sport events). The users may have different terminals with certain capabilities as depicted in Figure 3. The ALICANTE infrastructure is simplified in Figure 3 to highlight the interesting parts for this scenario (i.e., the HBs and the MANEs). Note that the SVC layers depicted in the figure are only examples and that SVC streams in ALICANTE may comprise temporal, spatial, and quality (SNR) scalability with multiple layers. The properties and numbers of SVC layers will be determined by the HB at the Service/Content Provider (SP/CP) side based on several parameters (e.g., diversity of terminal types, expected network fluctuations, size overhead for additional layers, available resources for SVC encoding/transcoding, etc.) which are known a priori or dynamically collected through a monitoring system operating across all network layers.

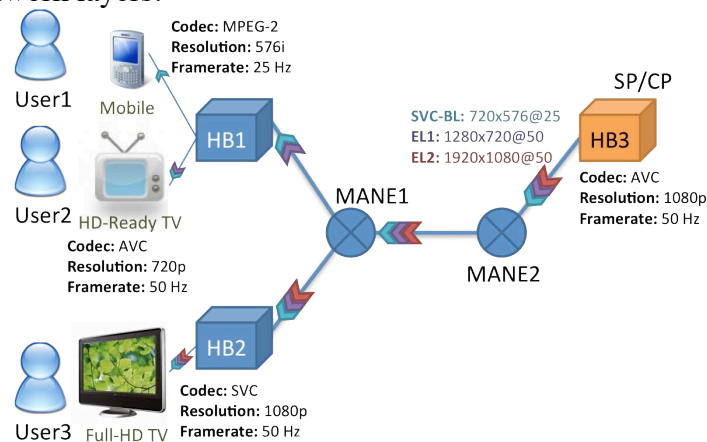


Figure 3. Multicast/broadcast with SVC adaptation.

3.2 Home-Box Sharing

In this scenario, a user consumes content through a foreign (shared) HB, e.g., the user accesses the content/service to which she/he has subscribed while being abroad (e.g., business trip, vacation). Figure 4 depicts a user consuming content at two different locations on two

different terminals, connected to different HBs. Note that the user might as well use her/his mobile phone to consume content through HB2.

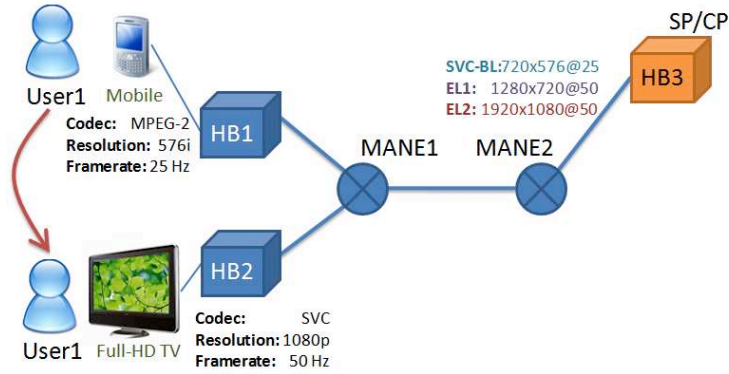


Figure 4. Home-Box sharing.

3.3 Video Conferencing

This scenario consists of an n:m video conferencing session (e.g., in family meetings, office meetings, etc.) as depicted in Figure 5. The media distribution is handled over a multicast shared bi-directional non-homogeneous tree in the ALICANTE network. In such a way only the minimum amount of network resources are spent, while assuring maximum quality to the end user.

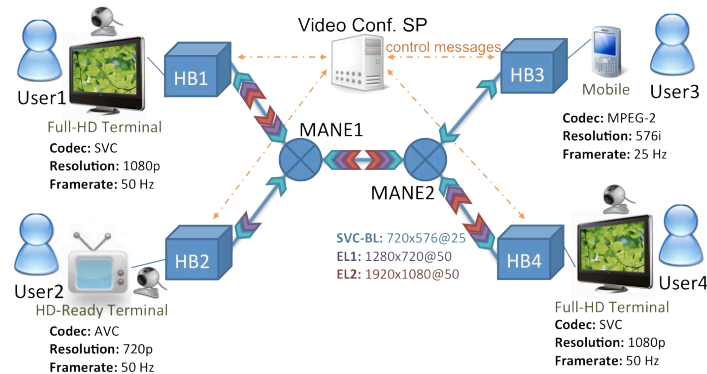


Figure 5. Video conferencing.

3.4 Peer-to-Peer Media Streaming

The HBs operate in peer-to-peer (P2P) mode within the ALICANTE ecosystem as illustrated in Figure 6. The MANEs, through which the P2P traffic flows, act as proxy caches which intercept requests for content pieces issued by HBs and aggregate them including the capabilities of requesting terminals. Furthermore, content pieces are only forwarded if the requesting terminals can decode them. Therefore, unnecessary traffic is reduced to a minimum freeing up the network resources for other data (e.g., additional enhancement layers).

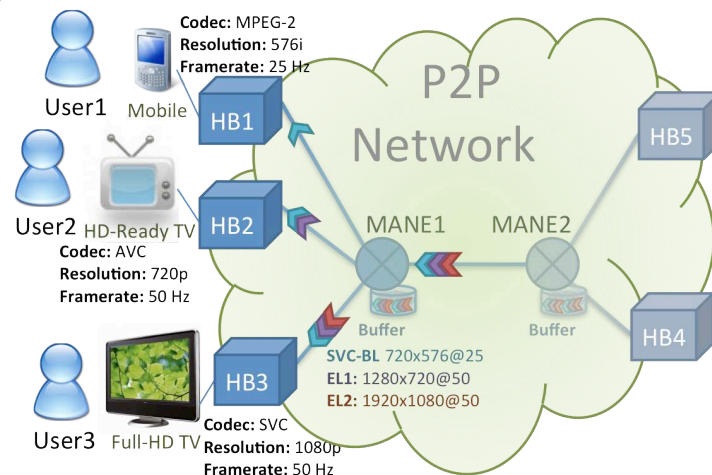


Figure 6. P2P media streaming.

4 Research Challenges and Open Issues

In this section we point out some research challenges and open issues with respect to utilizing Scalable Video Coding within Content-Aware Networks:

Distributed adaptation decision-taking framework. Due to the fact that many, possibly heterogeneous entities are involved – in the production, ingestion, distribution, and consumption stages – there is a need to develop a framework for distributed adaptation decision-taking; that is, finding the optimal decision regarding the adaptation of the content for a single entity (i.e., HB, MANE) within a network

of various entities in the delivery system. Note that decision-taking is needed at the request stage and during the delivery of the multimedia content as (network) conditions might change.

Distributed adaptation at HB and CAN layers. The actual adaptation at both layers needs to be done efficiently, based on several criteria, in order to obtain low (end-to-end) delay, minimum quality degradation, and assuring scalability in terms of the number of sessions that can be handled in parallel.

Efficient, scalable SVC tunneling and signaling thereof. The approach of tunneling the content within SVC streams in the (core) network opens up a number of issues due to SVC adaptation within the MANEs, SVC transcoding/rewriting within the HBs, and the associated signaling requirements. The issues range from efficiency and scalability to quality degradations and latency.

The impact on the Quality of Service/Experience (QoS/QoE). As there may be many adaptations happening during the delivery of the content, the impact on QoS and QoE needs to be studied in order to find the best trade-off for the use cases in questions. While for the QoS many objective measures are available, the QoE is highly subjective and requires tests involving end users; these tests are time consuming and costly. In any case, a good test-bed is needed for both objective and subjective tests for the evaluation of the QoS and QoE, respectively. The possible mappings between QoS and QoE will be considered in this work also.

Cooperation between the adaptation framework and CAN overlay management. While the adaptation framework operates mainly at flow level, the CAN management deals with control information at an aggregated level. Appropriate cooperation between them and mappings for monitoring and control information have to be defined in order to ensure efficient use of transport resources.

5 Conclusions and Future Work

In this paper we have introduced the usage of Scalable Video Coding in Content-Aware Networks for various use cases. In particular, SVC is a promising tool for making the network aware of the actual content being delivered, i.e., when it comes to technical

properties such as bit rate, frame rate, and spatial resolution. Furthermore, it allows for efficient and easy-to-use in-network adaptation due to the inherent structure of SVC. The goal of the ALICANTE project is to provide an advanced Media Ecosystem that enables the management of media services with respect to QoS and QoE on the one hand, while delivering the media content at dynamically adaptable bit rates to heterogeneous terminals on the other hand.

The use cases described in the paper indicate the advantages of using SVC and in-network adaptation and we highlight research challenges and open issues. However, as this work is in its early stage it lacks validation results for the scenarios and solutions proposed which remains part of our future work.

Acknowledgments This work is supported in part by the European Commission in the context of the ALICANTE project (FP7-ICT-248652). <http://www.ict-alicante.eu/>

References

1. Tselentis, G. (et.al.): Towards the Future Internet - Emerging Trends from European Research, IOSPress (2010)
2. ALICANTE Web site. <http://www.ict-alicante.eu/>. Accessed 09 October, 2010
3. Borcoci, E., Negru, D., Timmerer, C.: A Novel Architecture for Multimedia Distribution Based on Content-Aware Networking, In: Proc. Third International Conference on Communication Theory, Reliability, and Quality of Service (CTRQ2010), Athens/Glyfada, Greece (2010)
4. Schwarz, H., Marpe, D., Wiegand, T.: Overview of the Scalable Video Coding Extension of the H.264/AVC Standard, *IEEE Transactions on Circuits and Systems for Video Technology*, 17(9), 1103–1120 (2007)
5. Wenger, S., Wang, Y.-K., Schierl, T.: Transport and Signaling of SVC in IP Networks, *IEEE Transactions on Circuits and Systems for Video Technology*, 17(9), 1164–1173 (2007)
6. Kuschnig, R., Kofler, I., Ransburg, M., Hellwagner, H.: Design options and comparison of in-network H.264/SVC adaptation, *Journal of Visual Communication and Image Representation*, 19(8), 529–542 (2008)
7. Kofler, I., Prangl, M., Kuschnig, R., Hellwagner, H.: An H.264/SVC-based adaptation proxy on a WiFi router, In: 18th International Workshop on Network and Operating Systems Support for Digital Audio and Video (NOSSDAV2008), Braunschweig, Germany (2008)
8. Shen, B., Tan, W.-T., Huve, F.: Dynamic Video Transcoding in Mobile Environments, *IEEE MultiMedia*, 15(1), 42–51 (2008)
9. McCanne, S., Jacobson, V., Vetterli, M.: Receiver-driven layered multicast, In: SIGCOMM (1996)
10. Grafl, M., Timmerer, C. (eds.): Service/Content Adaptation Definition and Specification, ICT ALICANTE, Deliverable D2.2, 2010.