



HAL
open science

Study of a Thermoelectric Generator incorporated in a multifunction wood stove

Daniel Champier, Jean-Pierre Bedecarrats, Tarik Kousksou, Marc Rivaletto, Françoise Strub, P. Pignolet

► **To cite this version:**

Daniel Champier, Jean-Pierre Bedecarrats, Tarik Kousksou, Marc Rivaletto, Françoise Strub, et al.. Study of a Thermoelectric Generator incorporated in a multifunction wood stove. *Energy*, 2011, 36 (3), pp.1518. 10.1016/j.energy.2011.01.012 . hal-00727162

HAL Id: hal-00727162

<https://hal.science/hal-00727162v1>

Submitted on 3 Sep 2012

HAL is a multi-disciplinary open access archive for the deposit and dissemination of scientific research documents, whether they are published or not. The documents may come from teaching and research institutions in France or abroad, or from public or private research centers.

L'archive ouverte pluridisciplinaire **HAL**, est destinée au dépôt et à la diffusion de documents scientifiques de niveau recherche, publiés ou non, émanant des établissements d'enseignement et de recherche français ou étrangers, des laboratoires publics ou privés.

Manuscript Number: EGY-D-10-00584R1

Title: Study of a Thermoelectric Generator incorporated in a multifunction wood stove

Article Type: Full Length Article

Keywords: thermoelectric; power generator; biomass stove; thermal energy; heat recovery

Corresponding Author: Doctor Daniel Champier, Associate Professor

Corresponding Author's Institution: Université de Pau et des Pays de l'Adour (UPPA)

First Author: Daniel Champier, Associate Professor

Order of Authors: Daniel Champier, Associate Professor; Jean-Pierre Bédécarrats, Doctor; Tarik Kousksou, Doctor; Marc Rivaletto, Doctor; Françoise Strub, Doctor; Pascal Pignolet, Professor

Abstract: Replacing traditional open fire stoves, characterized by low efficiency, with improved ones is an important challenge for developing countries. Adding thermoelectric generators can provide electricity that permits not only the use of an electric fan increasing the ratio air to fuel to achieve a complete combustion in the stoves but also the satisfaction of basic needs: light, phones and other electronic devices. A review of existing thermoelectric generators for stoves is presented. To test the thermoelectric modules, an experimental device has been carried out in our laboratory where a gas heater simulates the stove. The generator set-up is described including the switching electric regulator that stabilizes the fluctuating voltage from the modules and stores the energy in a battery. The performance of the generator mostly depends on the heat transfer through the modules and especially on the thermal contact resistances. First experiments show the influence of the pressure on these resistances. Then a study of temperatures and electrical power measurements is compared to a theoretical analysis using thermoelectric and heat transfer equations. The very reasonable value of the obtained contact resistances shows that the mechanical design of the generator is almost optimized. The thermoelectric generator has produced up to 9.5W.

Cover letter

Daniel CHAMPIER

Address :

Laboratoire de Génie Electrique (LGE),
Université de Pau et des Pays de l'Adour,
UFR Sciences et Techniques,
Avenue de l'Université,
BP1155,
64013 PAU Cedex PAU,
France

mail : daniel.champier@univ-pau.fr
phone : 00 33 (0)5 59 84 59 51
FAX : 00 33 (0) 05 59 14 90 14

Dear Sir,

I am sending herewith a manuscript entitled "Study of a Thermoelectric Generator incorporated in a multifunction wood stove" by D. Champier, J.P. Bédécarrats, T. Kousksou, M. Rivaletto, F. Strub, P. Pignolet which I would like to submit for publication in Energy. This work has not been submitted previously to Energy, it has not been published previously, is not under consideration for publication elsewhere, and is approved by all authors and host authorities.

Yours sincerely,
Daniel Champier

Dear Professor Lund:

Please find enclosed the revised version of the manuscript entitled *Study of a thermoelectric generator incorporated in a multifunction wood stove*.

We wish to thank the reviewers for the comments on the initial submission. This manuscript has been modified to address each of the issues raised by the reviewers.

We hope that the revised manuscript is now suitable for a second review, and remain at your disposal.

Answers to Editor #1:

We have corrected the grammatical, spelling, and punctuation mistakes to enhance the clarity of the text.

Answers to reviewer #2:

This paper deals with two interesting and concerning questions: a) electricity supply to isolated low income consumers, typically in rural zones of developing countries and b) new generation technologies, using new materials, but preserving simplicity and reliability. The proposed application, associating solid state thermoelectric generation (Seebeck modules) and improved firewood stoves, seems to be able to face simultaneously the need of better use of bioenergy and electricity production. The authors review the existing studies about thermoelectric modules applied in wood stoves and present their experimental evaluation on the influence of mechanical pressure on thermal resistance of contact points in those devices. The module output reached about 10 W, which can be considered a very good performance.

Punctual observations

1. It is not usual to put reticence (three dots) in a scientific article. See abstract and page 9.

We have removed the ellipsis.

2. A nomenclature will add clarity to the text. For instance, the definition of variable "n" was not found.

We have included the nomenclature at the beginning of the paper.

Opinion about the article:

These authors already presented a more general paper on this subject in a recent issue of Energy (Volume 35, Issue 2, February 2010, Pages 935-942). This paper is focused on the pressure influence on the thermal contact and some comments on electrical part, specific aspects of thermoelectric systems. However, if the aim is to assess the feasibility of using thermoelectric modules in low income households, it is advisable to add more information on practical aspects (data on module (area, max

temperature, rated performance, sketch of module assembly in stove (in the last paper some of these aspects are missing) and equally important, more information on economic aspects, such as installation cost (separating thermal and electrical parts), estimated energy cost, perspectives of price, possible comparing this study and other.

We have added information on the chosen modules. A description and a picture of the stove were also added. Our prototype is still at an experimental stage, and at present is not yet assembled with the stove. A new table presents the projected cost of the TE generator compared against the price of photovoltaics.

In the previous study, "Thermoelectric power generation from biomass cook stoves", we got 6 W with four TE modules. In this new study we got almost 10 watts with only one TE module. This important increase of power is due to our work on the module's assembly.

Some quoted references are not easily accessed, so to introduce more information about them and their results (more than a mention) it seems correct.

Links were added to some difficult to find references.

If possible, more details about how they decide for 126 couples per module should be also added, since this parameter can play an important role in module optimization.

All the commercial low-cost modules available at Thermonamic have 126 couples. For optimization, it is not only the number of couples, but also the size of the legs and the space between legs which are important. We chose to work with the available modules which provide the highest power.

In few words, after that very interesting and detailed paper, one waits for another similar contribution, but the current draft can be considered brief and too much focused in particular aspects of thermoelectric modules operation.

As explained above these particular aspects results in an important progress in the output power of the generator.

Answers to reviewer #4: This paper presents the TE generator suitable for electricity production in multifunction biomass stove. Its design is provided with originality. However, authors should require to explain or revise aspects as follows:

1. That ice is added into the cold side will consume some energy, and ice piece made by the refrigeratory needs to consume some energy. Is energy saved in all?
2. In rural areas, households use stoves for two main purposes of heating and cooking. But adding ice will reduce the temperature in room and lose the heat efficiency. Is it reasonable?
3. Present the entity picture of improved stove.

4. Supply the experimental data.
5. Discuss the feasibility that this stove is applied in practice.

We apologize for the ambiguity in the information we provided. We have amended the paper to include the following information:

TEGBIOS II is presently a laboratory prototype and has not yet been installed on a production stove.

We also added a sketch and a picture of the stove.

The ice was only used for the purpose of the experiment. It allowed us to maintain the temperature T_c nearly constant during the experiment, in order to guarantee that there was no variation of the internal physical properties of the TE materials. This was necessary for the comparison with the model.

The feasibility of the stove has been proven by “Planète Bois” in houses where electricity is already available. The goal of our work was to create an electric generator that will be suitable for use with this stove in areas which are cut off from the electricity grid.

9.5 W thermoelectric generator for biomass stove.

The performance of the thermoelectric generator mostly depends on the thermal contact resistances.

500kPa (5 bar) is a reasonable value to minimize the contact resistance for the thermoelectric modules.

A one module thermoelectric generator can produce around 7.6W of stabilized electricity with an economic cost competitive with solar panels.

Study of a Thermoelectric Generator incorporated in a multifunction wood stove

1 **D. Champier^{a*}, J.P. Bédécarrats^b, T. Kousksou^b, M. Rivaletto^a, F. Strub^c, P. Pignolet^a**

2
3
4
5 *^a Laboratoire de Génie Electrique, Université de Pau et des Pays de l'Adour, Technopôle*
6
7 *Hélioparc Pau Pyrénées 2, avenue du Président Angot, 64053 PAU Cédex 09 Pau, France.*

8
9
10 *^b Laboratoire de Thermique Energétique et Procédés, Université de Pau et des Pays de*
11
12 *l'Adour, Rue Jules Ferry, BP 7511, 64 075 Pau cedex , France*

13
14
15 *^c Association Planète Bois, Technopole Helioparc, 2 avenue Pierre Angot, 64053 Pau*
16
17 *Cedex 9, France*

18
19
20 ** Corresponding author. Tel.: +33 (0)5 59 84 59 51, Fax: +33 (0) 05 59 14 90 14, Email*
21 *address: daniel.champier@univ-pau.fr*

22 **Abstract:**

23
24
25 Replacing traditional open fire stoves, characterized by low efficiency, with improved ones is an
26
27 important challenge for developing countries. Adding thermoelectric generators can provide
28
29 electricity that permits not only the use of an electric fan increasing the ratio air to fuel to
30
31 achieve a complete combustion in the stoves but also the satisfaction of basic needs: light,
32
33 phones and other electronic devices. A review of existing thermoelectric generators for stoves is
34
35 presented. To test the thermoelectric modules, an experimental device has been carried out in our
36
37 laboratory where a gas heater simulates the stove. The generator set-up is described including the
38
39 switching electric regulator that stabilizes the fluctuating voltage from the modules and stores the
40
41 energy in a battery. The performance of the generator mostly depends on the heat transfer
42
43 through the modules and especially on the thermal contact resistances. First experiments show
44
45 the influence of the pressure on these resistances. Then a study of temperatures and electrical
46
47 power measurements is compared to a theoretical analysis using thermoelectric and heat transfer
48
49 equations. The very reasonable value of the obtained contact resistances shows that the
50
51
52
53
54
55
56
57
58
59
60
61
62
63
64
65

mechanical design of the generator is almost optimized. The thermoelectric generator has produced up to 9.5W.

Keywords: thermoelectric; power generator; biomass stove; thermal energy; heat recovery

Nomenclature

E_o open circuit voltage of TE module, V

e_a, e_b, e_c, e_s distances, m

$h_{contact}$ contact heat transfer coefficient, $W.m^{-2}.K^{-1}$

I current through TE module, A

I_{bat} current through battery, A

I_{out} output current of electronic convertor, A

I_L current in the load, A

K_{pn} thermal conductance of one thermocouple, $W.K^{-1}$

L_n, L_p leg lengths of the n-type and p-type pellets, m

n number of thermocouple in a module

P_{av} electrical power for end users, W

P_{elec} electrical output power, W

P_{elec}^{max} maximum output power (matched load), W

P_r pressure on the TE module, kPa

q_c heat released from the cold side, W

q_h heat absorbed on the hot side, W

1 q_{sc}, q_{sh} heat flux through ceramic wafers, W

2 R thermal resistance, K.W⁻¹

3 R_B current sense resistance, Ω

4 R_{cc}, R_{ch} contact thermal resistances between wafers and aluminum blocks, K.W⁻¹

5 R_{ce1}, R_{ce2} thermal resistances of the ceramic wafers, K.W⁻¹

6 R_E resistance seen by the TE module, Ω

7 R_{int} internal resistance of TE generator, Ω

8 R_L load resistance, Ω

9 R_{pn} electrical resistance of one thermocouple, Ω

10 S_n, S_p cross-sectional areas of the n-type and p-type pellets, m²

11 T_a average temperature, °C

12 T_c cold-side temperature of TE module, °C

13 T_h hot-side temperature of TE module, °C

14 T_{hi} Temperatures (measurements), °C

15 T_{sh}, T_{sc} temperatures of the hot and cold sides of ceramic wafers of the module, °C

16 V_{out} output voltage of electronic convertor, V

17 V_{bat} battery voltage, V

18 V_{TE} output voltage of TE module, V

19 Greek symbols

20 α_p, α_n , Seebeck coefficients of the n-type and p-type semiconductors, V.K⁻¹

21 α_{pn} Seebeck coefficient of one thermocouple, V.K⁻¹

22 λ_n, λ_p , thermal conductivities, W.m⁻¹.K⁻¹

λ_{al} , λ_{ceram} , λ_{solder} thermal conductivities of respectively the aluminium, ceramic wafers and metal solders, $W.m^{-1}.K^{-1}$

ρ_n , ρ_p resistivities of the n-type and p-type semiconductors, $\Omega.m$

Abbreviations

TE Thermoelectric

1. Introduction

Open fires or rudimentary stoves are widely used in developing countries by about 2.5 billion people [1]. These traditional stoves or fires are characterized by low efficiency that results in inefficient use of scarce fuel-wood supplies [2]. These rudimentary fire stoves also lead to high emissions of health damaging air pollutants and smoke is highly linked to acute respiratory infection (ARI) [3,4]. Building clean and efficient cook stoves reduces carbon dioxide and methane emissions while providing social and health co benefits through reduced fuel consumption and reduced indoor air pollution. Improved cook stoves also have the potential to reduce significantly black carbon emissions (short-lived non-CO₂ climate warmer) [5].

Again 1.6 billion people lack access to electricity [6] ; providing 10 W to cover basic needs such as light and radio to these low-income populations living mostly in rural areas, will require more than 16 GW power plants (resistive losses in the conductor grid) and all the dispatching.

Individual thermoelectric (TE) generators coupled with cook stoves are an interesting option to provide electricity.

The general advantages of a TE generator in this case are:

- It does not need extra energy from the stove.
- The TE generator is incorporated into the cook stove and requires no electrical link with the outside world, unlike solar panels.
- it is silent in operation as it involves no moving parts.

1 - The maintenance is very light: nothing moves, everything is inside the house, only the
2 battery needs to be changed when it is done for.

3 - The TE generator works when the stove is on, day and night in good or in rainy weather
4 (monsoon period) unlike solar panels. The battery does not need to be oversized as each use of
5 the stove recharges the battery unlike a solar system where it is necessary to store energy for
6 cloudy days.
7
8
9

10 As this generator is destined to low income houses in developing countries, the cost is also an
11 important issue. Previous studies [7, 8, 9] have shown that the price per watt is about the same as
12 for solar systems.
13
14
15

16 The Non Governmental Organization “Planète Bois” develops energy-efficient multifunction
17 mud stoves based on traditional stove designs (figure 1). The wood is put into the stove vertically
18 through the top of the pyrolysis chamber before the lid is closed. The bottom part of the wood
19 rests on a bed of embers maintained through the entry of primary air at this level. Combustible
20 gases are emitted as a result of decomposition by heat (pyrolysis) in the absence of flames and
21 sucked towards a nozzle. These gases are then in contact with the oxygen from the secondary air.
22 The flame then breaks out downstream of the injection of secondary air. The wood burns down
23 so that the bed of embers is renewed. These improved stoves use a smoke extract fan that allows
24 a control of the ratio air to fuel and therefore optimizes the combustion. The fan also permits the
25 use of a horizontal pipe avoiding the necessity of long metal pipes and of building chimneys in
26 countries where local workers do not have the technology to make it go through the roof.
27 These stoves are called “CLIP” for “Combustion Latérale Inversée Performante” the French
28 terms for “powerful reverse side combustion”. These types of equipment are under validation in
29 Morocco (figure 2) where electricity is available. The next important challenge is the providing
30 of countries without electricity with this stove.
31
32
33
34
35
36
37
38
39
40
41
42
43
44
45
46
47
48
49
50
51
52
53
54
55
56
57
58
59
60
61
62
63
64
65

1 The goal of our work is to study the feasibility of using thermoelectric modules in this stove in
2 order to generate electricity. The expected power is about 10 W not only for the fan but also for
3 basic needs: lighting, radio and charging cell phones as well as other small electronic devices.
4
5 To test the TE modules, an experimental device has been carried out in our laboratory where a
6
7 gas heater simulates the stove.
8
9

10 The first part of this paper presents a review of existing thermoelectric generators for stoves.
11
12 Then the entire generator set-up is described including the thermal and mechanical parts as well
13
14 as the switching electric regulator which converts the fluctuating voltage from the thermoelectric
15
16 modules into a constant voltage and stores electrical energy in a battery. After showing the
17
18 influence of the pressure on the contact resistance, experimental electrical power measurements
19
20 are compared with the results of a theoretical analysis using thermoelectric and heat transfer
21
22 equations.
23
24
25
26

27 **2. Review of existing thermoelectric generators for stoves**

28 **2.1. Thermoelectric generators**

29
30
31 Thermoelectric generators directly convert a very small part of the heat going through them into
32
33 electricity as described in figure 3. They are composed of three parts: two heat exchangers and a
34
35 TE module.
36
37
38

39
40
41 The efficiency of the TE module depends on the properties of the materials used for the
42
43 thermocouples. For the moment semiconductors offer the best efficiency.
44
45

46 The only couple of materials available on the market at a reasonable price is Bismuth Tellurid
47
48 (Bi_2Te_3). These materials can work at a temperature as high as 260°C continuously and
49
50 intermittently up to 380°C . Other materials are being studied for higher temperatures, such as
51
52 clathrates, skutterudites, alloys Heusler, phases of Chevrel and oxides [10] but are not
53
54 commercially available.
55
56
57
58
59
60
61
62
63
64
65

2.2. TE generators for stoves.

1 In the literature review, only the experimental studies have been selected. The heat generator is
2
3 the hot smoke of the stove and all the TE modules are made of bismuth-telluride Bi_2Te_3 .
4
5 Nuwayhid et al [11] have studied the possibility of using a proportion of the heat from 20–50 kW
6
7 wood stoves, to provide a continuous 10–100W electric power supply. In a first prototype they
8
9 used cheap Peltier modules for their TE Generator. The maximum power for a module was very
10
11 low (1W) mostly because of the limited temperature difference due to the maximum temperature
12
13 supported by the module and also because of the geometry which is optimized for cooling and
14
15 not for generating power. In a following prototype [12] their TE generator used 1, 2 or 3
16
17 commercially available low-cost power generator modules. The cold side of the TE modules was
18
19 naturally cooled with the surrounding air. They got a maximum power of 4.2W for one TE
20
21 module and they showed that the output power per module decreased when the number of TE
22
23 modules in the TE generator increased. This is a result of the reduction of the temperature
24
25 difference between the hot and cold surfaces. They also made a TE generator using heat pipes for
26
27 the heat sink [13]. The maximum power was about 3.4W. Lertsatitthanakorn [14] investigated
28
29 the same type of prototype and he got a power output of 2.4W. He added an economic analysis
30
31 indicating that the payback period tends to be very short.
32
33 Mastbergen and Wilson [7] presented at the ETHOS 2005 congress (Engineers in Technical and
34
35 Humanitarian Opportunities of Service) a prototype of TE generator with a forced air-cooling for
36
37 the cold side with a 1W fan. The net power of 4W generated by the TE generator was sufficient
38
39 to power an array of high intensity LEDs. Field tests [15] have been made in different countries
40
41 but results are not available in the literature.
42
43 BioLite [16], an industrial lightweight backpacking stove, has been presented at the 2009
44
45 ETHOS conference. The TE generator is only used to create clean, efficient cooking with a
46
47 forced-air draft fan for this wood burning stove.
48
49
50
51
52
53
54
55
56
57
58
59
60
61
62
63
64
65

“Planète Bois” and our laboratories explore water cooling cold heat sink TE generators [8-17].

1 “Planète Bois” multifunction cook stoves produce hot water. The best location to put the TE
2 generator is under the water tank as the heat flux from the hot gas to the tank (about 30 liters)
3 can be used to produce electricity without losing heat. So there is almost no additional energy
4 cost. The heat exchanges with water are generally better than exchanges with air and the use of
5 water guarantees that the cold heat sink temperature will always stay under 100°C.
6
7

8 Recently Rinalde et al [9] presented a forced water cooling system. Their laboratory prototype
9 uses an electric heater for the heat source. They obtained a maximum power of 10W but needed
10 a pump which certainly decreases the available output power.
11
12

13 The different prototypes are summarized in table 1.
14
15

16 These results show that it is possible to obtain an electrical power of about 10 W. However,
17 further experiments are necessary to study the feasibility of using thermoelectrical modules with
18 our stove and to improve the generated electrical power.
19
20

21 **3. Generator set up**

22 As the water tank is a fixed part of the stove the TE generator must be installed during the
23 building of the stove. So before installing the generator in a real stove, different experimental
24 thermoelectric power generators were made and tested in our laboratory [17, 18] using smaller
25 tanks. The obtained results were used to design a new experimental device including an
26 electronic convertor. This new experimental setup, called TEGBioS II, allows the study of the
27 global performances of the TE generator in real operating conditions. It allows us to test the
28 influence of the thermal contact and the electric part on the output power.
29
30

31 The set-up also permits the experimental study of both the thermal and the electric parts in order
32 to validate a one dimensional steady state modeling.
33
34
35
36
37
38
39
40
41
42
43
44
45
46
47
48
49
50
51
52
53
54
55
56
57
58
59
60
61
62
63
64
65

After an economic study between modules from HIZ (13 W for 103€) and Thermonamic (14W for 67€), it was chosen for our prototype the Thermonamic model TEP1-12656-0.6 with 126 couples and a size of 56mmx56mm. These modules can work at the temperature of as high as 320°C continuously and stand with up to 400°C heat source at the hot side but the temperature of the cold side of the module cannot go above 200°C. This difference is due to the bonding process which uses materials with different melting point for each side of the module.

3.1. Thermal and mechanical part

The thermal and mechanical part is presented in figure 4

An aluminum heat sink with fins is mounted on the hot side of the TE modules. An aluminum tank (2 liters) filled with water is used as a cold side exchanger. This water which is the cold heat sink for the TE generator will be the domestic hot water in a real application. A compressive load is applied in the centre of the tank to reduce thermal contact resistance.

For the experiment, it was easier to make measurements with the load applied in the centre but in the final design, it will be applied along the edges of the tank. Thermal grease is used for each contact. To reduce thermal contact resistance, the aluminum surface is polished with a milling machine to get a proper flatness around 25µm (standard deviation of height). A pressure up to 7.5 bars can be applied to the TE module. The pressure is measured with a strain gauge sensor for compression measurements (Sensel SM1182). Thermal insulation is used between the two exchangers (see figure 4). Two aluminium blocks instrumented with thermocouples are added on each side of the TE module as shown in figure 5. Other thermocouples allow us to measure the water and the hot air temperatures.

The operating parameters of the improved stove are reproduced with a gas heater. The temperature and the flow rate of the hot air are the same as the values obtained with the stove.

1 The use of the gas heater allows us to simplify the experimental procedure of the TE generator
2 study.

3 **3.2. Electrical part**

4
5
6 Two points are particularly important: the storage of electrical energy and the voltage regulation.

7
8 At the beginning of the burning, the temperatures are very low and the TE generator does not
9 produce any electricity. The autonomy of the cooking stove requires a battery to store the
10 electrical energy produced by the TE modules and to restore it at the beginning of the burning.

11
12
13 A lead-acid battery has been chosen because it currently offered the best response in terms of
14 price, energetic efficiency, lifetime and availability in developing countries.

15
16 Valve regulated lead-acid (VRLA) batteries have been selected as they can be used directly in
17 home environment; they are self-contained and safe, they can be stored and used in any
18 orientation and are maintenance free. In normal use, they are environmentally friendly.

19
20 Since the fan, LEDs, radios and cell phones only need low voltage and also because of
21 availability, we have chosen '6V' batteries.

22
23 The expected service life of the standard VRLA battery is typically 5 years when used in floating
24 voltage. For a 6V battery the floating voltage is about 6.75V.

25
26 The lead-acid charging process is somewhat lenient as long as it is not overcharged, overheated,
27 or let to form excessive gas. There are different methods of charging lead-acid battery [19, 20].

28
29 We have chosen a simple but efficient method: constant voltage, current limited charging. In the
30 initial charging stage, the current flowing into the battery is limited to a value of the maximum
31 charging current about 20% of capacity in Amp.hours. In the second stage the constant voltage
32 maintains the battery in a fully charged float condition.

33
34 An electrical power of about 6W available for the battery implies a charging current of 0.9A. As
35 the maximum charging current is about 1/5 of the capacity, a 4.5Ah battery is selected for our
36 experiment.

37
38
39
40
41
42
43
44
45
46
47
48
49
50
51
52
53
54
55
56
57
58
59
60
61
62
63
64
65

1 Since the heat produced by the combustion vary a lot during the use of the stove (wood supply,
2 quality of wood, cooking) and the temperature of the water is modified when people take or add
3 water, the temperatures on each side of the TE generator vary a lot. As a consequence, the output
4 voltage of the generator fluctuates a lot. A power electronic circuit is required to regulate the
5 output voltage and to boost it to the battery level. As the voltage of the one module TE generator
6 is low a boost regulator is necessary.
7
8
9

10 An electronic converter (figure 6) has been developed using a step-up switching regulator
11 MAX642 which works in the 5mW to 10W range with a very good efficiency. Some electronic
12 circuits are added to limit the charging current of the battery.
13
14

15 This electronic converter was tested with a laboratory power supply. Simple tests made on a
16 resistive load showed that the efficiency stands in a range from 80% to 85% [17, 18].
17
18
19

20 **3.3. One-dimensional steady-state analysis**

21 Thermoelectric modules are made of n couples of p-type and n-type semiconductor pellets
22 connected with metal solder. For electrical insulation, two ceramic wafers sandwich the pellets
23 (figure 5).
24
25

26 We used the one dimensional model commonly described in literature (1-D heat flow) of a
27 typical TE module made of n thermocouples [21, 22].
28
29

30 These equations are obtained from the study of a single n or p-type element assuming that all
31 connections between the pellets are perfect: no electrical and thermal resistance.
32
33

34 We also assume that there is no conduction, convection or radiation via the ambient, which
35 means that the only path to transfer heat from one side of the pellet to the other is through the TE
36 material. These assumptions give the following TE equations for the heat released on the cold
37 side, q_c , the heat absorbed on the hot side, q_h , and for the generated electrical power P_{elec} .
38
39
40
41
42
43
44
45
46
47
48
49
50
51
52
53
54
55
56
57
58
59
60
61
62
63
64
65

$$q_h = n \cdot \left[\alpha_{pn} \cdot I \cdot T_h - \frac{R_{pn} \cdot I^2}{2} - K_{pn} \cdot (T_c - T_h) \right], \quad (1)$$

$$q_c = n \cdot \left[\alpha_{pn} \cdot I \cdot T_c + \frac{R_{pn} \cdot I^2}{2} - K_{pn} \cdot (T_c - T_h) \right], \quad (2)$$

$$P_{elec} = n \cdot \left[\alpha_{pn} \cdot I \cdot (T_h - T_c) - R_{pn} \cdot I^2 \right], \quad (3)$$

where I is the current, T_c and T_h are respectively the temperatures of the cold side and the hot side of the TE module.

The parallel thermal conductance, K_{pn} , serial electrical resistance, R_{pn} , and Seebeck coefficient,

α_{pn} of one thermocouple are :

$$K_{pn} = \frac{\lambda_n \times S_n}{L_n} + \frac{\lambda_p \times S_p}{L_p}, \quad (4)$$

$$R_{pn} = \frac{\rho_n \times L_n}{S_n} + \frac{\rho_p \times L_p}{S_p}, \quad (5)$$

$$\alpha_{pn} = \alpha_p - \alpha_n, \quad (6)$$

L_n , L_p and S_n , S_p are respectively the leg length and cross-sectional area of the pellets.

α_p , α_n , λ_n , λ_p , ρ_n , ρ_p are temperature dependent and are evaluated at the average temperature

$T_a = \frac{T_h + T_c}{2}$, the values are taken from CRC Thermoelectric Material Properties n and p-type

Bi_2Te_3 [21, 23].

For the selected commercial modules $n=126$, $L_p=L_n=1.4\text{mm}$, $S_n=S_p=6.6\text{mm}^2$.

For an electric load R_E , current I can be calculated with

$$I = \frac{Eo}{nR_{pn} + R_E} = \frac{n\alpha_{pn} \cdot (T_h - T_c)}{nR_{pn} + R_E}, \quad (7)$$

Eo is the open circuit voltage of the TE module.

The maximum output power P_{elec}^{max} will be obtained for a matched load which means $nR_{pn} = R_E$.

The temperature T_c and T_h can be evaluated by using a thermal resistance model (figure 7).

R_{ce1} , R_{ce2} are the thermal resistances of the ceramic wafers, R_{cc} and R_{ch} are the contact thermal resistances between wafers and aluminum blocks. The temperature measurements (T_{h1} , T_{h2} , T_{h3} and T_{h4}) are taken with type K thermocouples placed in holes in each of the two aluminum blocks (figures 5 and 8). The temperatures of the hot and cold sides of ceramic wafers of the module T_{sh} , T_{sc} and the temperatures T_h and T_c are calculated by using the energy conservation assuming that the aluminum blocks are well insulated from the ambient : $q_c = q_{sc}$ and $q_h = q_{hc}$.

$$\text{For example } q_c = \frac{T_{h4} - T_{h3}}{R_{ala}} = \frac{T_{h3} - T_c}{R_{alb} + R}, \quad (8)$$

with

$$R_{ala} = \frac{e_a}{\lambda_{al} \cdot S}, R_{alb} = \frac{e_b}{\lambda_{al} \cdot S} \quad (9)$$

$$R = \frac{e_c}{\lambda_{ceram} \cdot S} + \frac{1}{h_{contact} \cdot S} + \frac{e_s}{\lambda_{solder} \cdot S} \quad (10)$$

λ_{al} , λ_{ceram} , λ_{solder} are the thermal conductivities of respectively the aluminium, the ceramic wafers and the metal solders. $h_{contact}$ is the contact heat transfer coefficient or thermal contact coefficient. The thermal contact resistance $\frac{1}{h_{contact} S}$ is introduced to take into account that the contact between ceramic and metal is not perfect.

According to equation 8 :

$$T_c = T_{h3} + \frac{(R_{alb} + R)}{R_{ala}} (T_{h3} - T_{h4}) \quad (11)$$

$$T_c = T_{h3} + \frac{e_b + e_c \frac{\lambda_{al}}{\lambda_{ceram}} + e_s \frac{\lambda_{al}}{\lambda_{solder}} + x}{e_a} (T_{h3} - T_{h4}) \quad (12)$$

$$\text{with } x = \frac{\lambda_{al}}{h_{contact}}$$

The analysis was done with $e_a=13.9\text{mm}$, $e_b=3.2\text{mm}$, $e_c=1\text{mm}$, $e_s=0.7\text{mm}$, $\lambda_{solder} \approx \lambda_{al}=237\text{W.m}^{-1}.\text{K}^{-1}$, $\lambda_{ceram}=25\text{W.m}^{-1}.\text{K}^{-1}$. The parameter x ($h_{contact}$) will be fitted by comparison between the measured power and the calculated power.

4. Results

The temperatures, tensions, currents and pressure (Pr) applied on the module are recorded by an Agilent 34970A Data Logger. The measurement system enables us to obtain a precision of 0.01% for the tensions, 0.1% for the currents and 0.5°C for the temperatures. But, because of the difficulty in measuring a temperature accurately, the temperature errors are evaluated to 1°C.

The precision of the pressure measurements is 0.25%.

T_{h1} , T_{h2} , T_{h3} , T_{H4} , Pr and also V_{out} , V_{bat} , I_{bat} and I_L (see figure 6) are recorded.

The output power from the thermoelectric module $P_{elec} = V_{TE} \cdot I$ and the available power for the end users are calculated:

$$P_{av} = V_{out} \cdot I_L + V_{bat} \cdot I_{bat} \quad (13).$$

4.1. Influence of the contact resistances

The objective of this first experiment was to evaluate the influence of the pressure on the contact resistances.

For this experiment, the electronic DC-DC regulator was replaced by a simple resistor. Its value was around 1.2Ω in order to be almost adapted to the value of internal load of the TE module.

Temperature T_c was kept nearly constant by adding ice during the experiment, so that the temperature difference (ΔT) was almost constant ($120 \pm 5^\circ\text{C}$). Keeping T_c and T_h constant guarantees that there is no variation of the internal physical properties (K_{pn} , R_{pn} , α_{pn}) of the TE modules.

The slight variations of the temperature difference were corrected by using the relation (14) given by Min and Rowe [24].

$$P_{elec}(120^\circ\text{C}) = P_{elec}(DT) \cdot \left(\frac{120}{DT}\right)^2 \quad (14)$$

The compressive load is increased from 0 to 750kPa and then decreased again to 0 (figure 9). A one shot measurement was taken 24 hours later.

Figure 9 shows that the electrical output power increases with the pressure from 0 to 400kPa. Beyond there is only a slight increase in the output power over the tested loading range (the differences in all values are less than 5% and probably not significant).

When the mechanical load decreased, the output power remained constant. This is interesting as it shows that thermal expansion will not probably affect the electrical output power during a normal operation. The last measurement made 24 hours later shows that the prototype does not keep this property after cooling.

This first experiment shows that a choice of 500kPa (5 bar) is a reasonable value to minimize the contact resistance. A more important value might be destructive for the delicate thick ceramic plate because of the thermal expansion during the transient states.

4.2. Electrical Power measurements

This experiment aimed at determining the electrical power (regulated and not regulated) of the TE generator, comparing it with the theoretical power given by the 1D model and assessing the value of the thermal contact resistance. The final goal of the measurements was to find out if we got the maximum available power from our prototype and to analyze what could be improved. For this experiment, the complete TE generator including the electronic part with a load resistor of 12Ω was tested. Figure 10 shows the hot and cold side temperatures and the corresponding electrical power for a half hour experiment.

The TE module produced a maximum electrical power of 9.5W and because of losses in the electronic convertor a maximum power of 7.6W was available.

The resistor R_E seen by the TE module can be calculated by using the voltage and current

measurements: $R_E = \frac{V_{TE}}{I}$.

This impedance R_E is not exactly matched but it is possible to calculate the maximum power that would be obtained if the electronic convertor matched the load.

As $V_{TE} = E_o \frac{R_E}{R_E + nR_{pn}}$, then P_{elec} can be expressed as :

$$P_{elec} = \left(\frac{E_o \cdot R_E}{R_E + nR_{pn}} \right)^2 \cdot \frac{1}{R_E} \quad (15)$$

$$\text{and for a matched load } P_{elec}^{\max} = \frac{E_o^2}{4nR_{pn}} \quad (16)$$

The maximum power (dashed line) on figure 11, can be calculated by:

$$P_{elec}^{\max} = P_{elec} \frac{(R_E + nR_{pn})^2}{4 \cdot nR_{pn} \cdot R_E} \quad (17)$$

1 Then this maximum power is compared with the power obtained with the 1D model for a
2 matched load using x as fitting parameter. A value of $h_{contact}$ of $20000 \text{ W.m}^{-2}.\text{K}^{-1}$ guarantees a
3 good matching of the two curves for different trials (variations on the input heat flux). This value
4 of about $20000 \text{ W.m}^{-2}.\text{K}^{-1}$ corresponds to a good contact according to the reference [25].
5

6 The results are presented in figure 12. Uncertainties are evaluated for a 0.5mm error on the
7 measurements of e_a and e_b . The value found for $h_{contact}$ shows that in this prototype we have
8 almost reached the maximum power available from such a TE generator. The mechanical and
9 thermal design is optimized.
10

11 The point to be improved is the matching between the TE module and the electronic convertor.
12

13 In our experiment the load was chosen to be near the matched load as seen in figure 11 but in
14 different uses the mismatch could be very important and the output power could be much lower
15 than P_{elec}^{max} .
16

17 As the output current changes, the working point moves and it will be necessary to use a
18 maximum power point tracking (MPPT) electronic regulator [26]. This can be done by a cheap
19 microcontroller in the electronic circuit. Nowadays microcontrollers have very low power
20 consumption and will not penalize the regulator in comparison with the benefits given by the
21 matching load tracking. A microcontroller could also add some intelligence to control the fan
22 and thus to slow down the gas speed in case of an increasing temperature exceeding the
23 maximum temperature tolerated by the hot side of the TE module.
24

25 **4.3. Economic perspective**

26 The economic study is important to fill a gap between the laboratory prototype and the
27 dissemination of the multifunction cooking stove equipped with TE generator. The other
28 challenger producing electricity in these countries without large power plant is photovoltaic. An
29 economic analysis is presented in Table 2. The cost was calculated for different volumes of
30 production according to the price of the individual components. By comparison the average
31
32
33
34
35
36
37
38
39
40
41
42
43
44
45
46
47
48
49
50
51
52
53
54
55
56
57
58
59
60
61
62
63
64
65

price of 10 watts (supplied with their regulator) solar panels in France is about 13€ per watt.

Even if the cost estimated in Table 2 does not include the labor cost, the result show that the cost per watt of TE module is very competitive with solar panels.

5. Conclusion.

An experimental TE generator suitable for electricity production in multifunction biomass stoves has been presented. The complete system from the heat source up to the end users electricity production, including electronic convertor and battery charging, has been studied.

The influence of thermal contact has been shown. A compressive load of about 5 bars is necessary to minimize the thermal contact and get back to a sufficient output power.

The comparison between the experimental data and the commonly used one dimensional thermoelectric model shows a good agreement. The very reasonable value of the contact resistance validated by the comparison shows that the mechanical design of the generator is well optimized. In the case of an almost matched load, the TE module has produced up to 9.5W. Due to the fluctuating output, an electronic boost regulator stores this electrical energy in a battery with an around 6.7V stabilised voltage. The maximum power of stabilized electricity available for the end users is around 7.6W obtained with an economic cost competitive with solar panels.

Further work is planned to prevent the decrease in output power in case of a mismatched load by adding a maximum power point tracking convertor. It will be obtained at a lower cost by adding an ordinary microcontroller. This microcontroller could also prevent the TEG from overheating by monitoring the temperature on the hot side and controlling the speed of the fan to eventually decrease combustion.

Another experimental device will be carried out in order to incorporate the thermoelectric generator in a real improved stove. This prototype will enable us to validate the complete system before field testing in developing countries.

References

- [1] International Energy Agency, World Energy Outlook 2006, IEA Publications, France
- [2] Anozie AN, Bakare AR, Sonibare JA, Oyebisi TO. Evaluation of cooking energy cost, efficiency, impact on air pollution and policy in Nigeria. *Energy* 2007; 32:1283–1290
- [3] Parikh J, Balakrishnan K, Laxmi V, Biswas H. Exposure from cooking with biofuels: pollution monitoring and analysis for rural Tamil Nadu, India. *Energy* 2001; 26:949–962.
- [4] Bhattacharya SC, Albina DO, Khaing AM. Effects of selected parameters on performance and emission of biomass-fired cookstoves. *Biomass & Bioenergy* 2002;23: 387–395.
- [5] Haines A, Smith KR, Anderson D, Epstein PR, McMichael AJ, Roberts I, Wilkinson P, Woodcock J, Woods J. Policies for accelerating access to clean energy, improving health, advancing development, and mitigating climate change. *The Lancet* 2007; 370, Issue 9594, :1264-1281.
- [6] URL : www.worldenergyoutlook.org/database_electricity/electricity_access_database.htm. last accessed June 2010.
- [7] Mastbergen D, Willson B. Generating Light from Stoves using a Thermoelectric Generator. Presented at the ETHOS International Stove Research Conference, 2005 Seattle, Washington. Available at www.vrac.iastate.edu/ethos/ last accessed december 2010
- [8] Champier D, Bedecarrats JP, Rivaletto M, Strub F. Thermoelectric power generation from biomass cook stoves. *Energy* 2010;35, Issue 2:935-942.

- 1
2
3
4
5
6
7
8
9
10
11
12
13
14
15
16
17
18
19
20
21
22
23
24
25
26
27
28
29
30
31
32
33
34
35
36
37
38
39
40
41
42
43
44
45
46
47
48
49
50
51
52
53
54
55
56
57
58
59
60
61
62
63
64
65
- [9] Rinalde GF, Juanico LG, Tagliavolante E, Gortari S, Molina MG. Development of thermoelectric generators for electrification of isolated rural homes. *International Journal of Hydrogen Energy* 2010;35 Issue 11: 5818-5822
- [10] Rowe DM. Thermoelectric waste heat recovery as a renewable energy source. *International Journal of Innovations in Energy Systems and Power* 2006; vol 1, no 1.
- [11] Nuwayhid RY, Rowe DM, Min G. Low cost stove-top thermoelectric generator for regions with unreliable electricity supply. *Renewable Energy* 2003;28:205–222
- [12] Nuwayhid RY, Shihadeh A, Ghaddar N. Development and testing of a domestic woodstove thermoelectric generator with natural convection cooling. *Energy Conversion and Management* 2005;46:1631–1643
- [13] Nuwayhid RY, Hamade R. Design and testing of a locally made loop-type thermosyphonic heat sink for stove-top thermoelectric generators. *Renewable Energy* 2005;30: 1101–1116
- [14] Lertsatitthanakorn C. Electrical performance analysis and economic evaluation of combined biomass cook stove thermoelectric (BITE) generator. *Bioresource Technology* 2007;98:1670–4
- [15] Joshi S, Mastbergen D, Willson B. Field Testing of Stove-Powered Thermoelectric Generators. Presented at the ETHOS International Stove Research Conference 2007, Kirkland, Washington. Available at www.vrac.iastate.edu/ethos/ last accessed december 2010
- [16] URL: www.biolitestove.com/BioLite.html last accessed June 2010.
- [17] Champier D, Rivaletto M, Strub F. TEGBioS : a prototype of thermoelectric power generator for biomass stoves. Proc. of ECOS 2009 22nd International Conference on Efficiency, Cost, Optimization, Simulation, and Environmental Impact of Energy Systems 2009, Paraná, Brazil.

- 1
2
3
4
5
6
7
8
9
10
11
12
13
14
15
16
17
18
19
20
21
22
23
24
25
26
27
28
29
30
31
32
33
34
35
36
37
38
39
40
41
42
43
44
45
46
47
48
49
50
51
52
53
54
55
56
57
58
59
60
61
62
63
64
65
- [18] Champier D, Rivaletto M, Strub F, Improving biomass stove with a thermoelectric generator. Proc of SDEWES 5th Dubrovnik Conference on Sustainable Development of Energy Water and Environment 2009, Dubrovnik.
- [19] Yuasa Battery Sales. NP valve regulated lead acid battery manual 1999 . www.yuasa-battery.co.uk. last accessed June 2010.
- [20] Daoud A, Midoun A. Fuzzy Control of a Lead Acid Battery. Journal of Electrical Systems 2005;1-1:52-9.
- [21] Rowe DM, CRC Handbook of Thermoelectrics. London: CRC Press; 1996.
- [22] Mitrani D, Salaza J, Turo´A, Garcia JM, Chavez JA. One-dimensional modeling of TE devices considering temperature-dependent parameters using SPICE. Microelectronics Journal 2009;40, Issue 9:1398-1405.
- [23] Rowe DM, Min G. Design theory of thermoelectric modules for electrical power generation. IEE Proceedings: Science, Measurement and Technology 1996;143, no. 6:351–6.
- [24] Min G, Rowe DM. Peltier devices as generators. CRC Handbook of Thermoelectrics. New York: CRC Press,1995, p. 479-488.
- [25] Rohsenow WM, Hartnett JP, Cho YI. Handbook of heat transfer, Third Edition, McGraw-Hill,1998.
- [26] Eakburanawat J, Boonyaroonate I. Development of a thermoelectric battery-charger with microcontroller-based maximum power point tracking technique. Applied Energy 2006;83:687–704

Figure 1. Schematic of the energy-efficient multifunction mud stove

1 Figure 2. "CLIP" stove in Morocco
2

3 Figure 3. Basic principle of a TE power generator
4
5

6 Figure 4. Schematic of the thermal and mechanical parts of the TE generator.
7
8

9 Figure 5. Schematic of a thermoelectric module
10

11 Figure 6. Schematic of an electronic part of the TE generator with the measurement.
12
13

14 Figure 7. Thermal resistance model of the thermoelectric module
15
16

17 Figure 8. Details of a thermoelectric module
18
19

20 Figure 9. Measured electrical power (P_{elec}) as a function of the pressure for a temperature
21 difference of 120°C
22
23

24 Figure 10. Cold and hot side temperatures and electrical powers during the experiment
25
26

27 Figure 11. Measured electrical power and calculated maximum output electrical power.
28
29

30 Figure 12. Comparison between measurements and 1D model of the TE generator.
31
32
33
34
35
36
37
38
39
40
41
42
43
44
45
46
47
48
49
50
51
52
53
54
55
56
57
58
59
60
61
62
63
64
65

1 Table 1 TE generators using Bismuth-Telluride commercial modules

2

3

4

Table 2 Projected cost of the TE generator

5

6

7

8

9

10

11

12

13

14

15

16

17

18

19

20

21

22

23

24

25

26

27

28

29

30

31

32

33

34

35

36

37

38

39

40

41

42

43

44

45

46

47

48

49

50

51

52

53

54

55

56

57

58

59

60

61

62

63

64

65

Study of a Thermoelectric Generator incorporated in a multifunction wood stove

D. Champier^{a*}, J.P. Bédécarrats^b, T. Kousksou^b, M. Rivaletto^a, F. Strub^c, P. Pignolet^a

^a *Laboratoire de Génie Electrique, Université de Pau et des Pays de l'Adour, Technopôle Hélioparc Pau Pyrénées 2, avenue du Président Angot, 64053 PAU Cédex 09 Pau, France.*

^b *Laboratoire de Thermique Energétique et Procédés, Université de Pau et des Pays de l'Adour, Rue Jules Ferry, BP 7511, 64 075 Pau cedex , France*

^c *Association Planète Bois, Technopole Helioparc, 2 avenue Pierre Angot, 64053 Pau Cedex 9, France*

* Corresponding author. Tel.: +33 (0)5 59 84 59 51, Fax: +33 (0) 05 59 14 90 14, Email address: daniel.champier@univ-pau.fr

Abstract:

Replacing traditional open fire stoves, characterized by low efficiency, with improved ones is an important challenge for developing countries. Adding thermoelectric generators can provide electricity that permits not only the use of an electric fan increasing the ratio air to fuel to achieve a complete combustion in the stoves but also the satisfaction of basic needs: light, ~~radio~~ ~~the charge of cell phones~~ and other electronic devices. ~~The first part presents a~~ review of existing thermoelectric generators for stoves ~~is presented~~. ~~To test the thermoelectric modules, an experimental device has been carried out in our laboratory where a gas heater simulates the stove.~~ ~~After~~ ~~The entire~~ generator set-up is described including the switching electric regulator that ~~converts stabilizes~~ the fluctuating voltage from the ~~thermoelectric~~ modules ~~to a constant voltage~~ and stores the ~~electrical~~ energy in a battery. The performance of the ~~thermoelectric~~ generator ~~mostly~~ depends ~~mostly~~ on the heat transfer through the ~~thermoelectric~~ modules and especially on the thermal contact resistances. First experiments show the influence of the pressure on these resistances. Then a study of temperatures and electrical power measurements is compared to a theoretical analysis using thermoelectric and heat transfer equations. The very

reasonable value of the obtained contact resistances shows that the mechanical design of the generator is almost optimized. ~~In the case of a nearly matched load,~~ The thermoelectric generator has produced up to 9.5W.

Keywords: thermoelectric; power generator; biomass stove; thermal energy; heat recovery

Nomenclature

E_o open circuit voltage of TE module, V

e_a, e_b, e_c, e_s distances, m

$h_{contact}$ contact heat transfer coefficient, $W.m^{-2}.K^{-1}$

I current through TE module, A

I_{bat} current through battery, A

I_{out} output current of electronic convertor, A

I_L current in the load, A

K_{pm} thermal conductance of one thermocouple, $W.K^{-1}$

L_n, L_p leg lengths of the n-type and p-type pellets, m

n number of thermocouple in a module

P_{av} electrical power for end users, W

P_{elec} electrical output power, W

P_{elec}^{max} maximum output power (matched load), W

P_r pressure on the TE module, kPa

q_c heat released from the cold side, W

q_h heat absorbed on the hot side, W

q_{sc}, q_{sh} heat flux through ceramic wafers, W

R thermal resistance, $K.W^{-1}$

R_B current sense resistance, Ω

R_{cc}, R_{ch} contact thermal resistances between wafers and aluminum blocks, $K.W^{-1}$

R_{ce1}, R_{ce2} thermal resistances of the ceramic wafers, $K.W^{-1}$

R_E resistance seen by the TE module, Ω

R_{int} internal resistance of TE generator, Ω

R_L load resistance, Ω

R_{pm} electrical resistance of one thermocouple, Ω

S_n, S_p cross-sectional areas of the n-type and p-type pellets, m^2

T_a average temperature, $^{\circ}C$

T_c cold-side temperature of TE module, $^{\circ}C$

T_h hot-side temperature of TE module, $^{\circ}C$

T_{hi} Temperatures (measurements), $^{\circ}C$

T_{sh}, T_{sc} temperatures of the hot and cold sides of ceramic wafers of the module, $^{\circ}C$

V_{out} output voltage of electronic convertor, V

V_{bat} battery voltage, V

V_{TE} output voltage of TE module, V

Greek symbols

α_p, α_n , Seebeck coefficients of the n-type and p-type semiconductors, $V.K^{-1}$

α_{pm} Seebeck coefficient of one thermocouple, $V.K^{-1}$

λ_n, λ_p , thermal conductivities, $\text{W.m}^{-1}.\text{K}^{-1}$

$\lambda_{al}, \lambda_{ceram}, \lambda_{solder}$, thermal conductivities of respectively the aluminium, ceramic wafers and metal solders, $\text{W.m}^{-1}.\text{K}^{-1}$

ρ_n, ρ_p , resistivities of the n-type and p-type semiconductors, $\Omega.m$

Abbreviations

TE Thermoelectric

1. Introduction

Open fires or rudimentary stoves are widely used in developing countries by about 2.5 billion people [1]. These traditional stoves or fires are characterized by low efficiency that results in inefficient use of scarce fuel-wood supplies [2]. These rudimentary fire stoves also lead to high emissions of health damaging air pollutants and smoke is highly linked to acute respiratory infection (ARI) [3,4]. Building clean and efficient cook stoves reduces carbon dioxide and methane emissions while providing social and health co benefits through reduced fuel consumption and reduced indoor air pollution. Improved cook stoves also have the potential to reduce significantly black carbon emissions (short-lived non-CO₂ climate warmer) [5].

Again 1.6 billion people lack access to electricity [6] ; providing 10 W to cover basic needs such as lights and radio to these low-income populations living mostly in rural areas, will require more than 16 GW power plants (resistive losses in the conductor grid) and all the dispatching. Individual thermoelectric (TE) generators coupled with cook stoves are an interesting option to provide electricity.

The general advantages of a TE generator in this case are:

- It does not need extra energy from the stove.
- The TE generator is incorporated into the cook stove and requires no electrical link with the outside world, unlike solar panels.

- ~~TE generators~~ ~~it is~~ ~~are~~ silent in operation as ~~they~~ ~~it~~ involves no moving parts.
- The maintenance is very light: nothing ~~is moving~~ ~~moves~~, everything is inside the house, only the battery needs to be changed ~~at the end of its life~~ ~~when it is done for~~.
- The TE generator ~~produces~~ ~~works~~ when the stove is on, day and night in good or in rainy weather (monsoon period) unlike solar panels. The battery does not need to be oversized as each use of the stove recharges the battery unlike a solar system where it is necessary to store energy for cloudy days.

As this generator is destined ~~for~~ ~~to~~ low income houses in developing countries, the cost is also an important issue. Previous studies [7, 8, 9] have shown that the price per watt is about the same as for solar systems.

The Non Governmental Organization “Planète Bois” develops energy-efficient multifunction mud stoves based on traditional stove designs (figure 1). The wood is put into the stove vertically through the top of the pyrolysis chamber before the lid is closed. The bottom part of the wood rests on a bed of embers maintained through the entry of primary air at this level. Combustible gases are emitted as a result of decomposition by heat (pyrolysis) in the absence of flames and sucked towards a nozzle. These gases are then in contact with the oxygen from the secondary air. The flame then breaks out downstream of the injection of secondary air. The wood burns down so that the bed of embers is renewed. These improved stoves use a smoke extract fan that allows a control of the ratio air to fuel and therefore optimizes the combustion. The fan also permits the use of a horizontal pipe avoiding the necessity of long metal pipes and of building chimneys in countries where local workers do not have the technology to make it go through the roof.

These stoves are called “CLIP” for “Combustion Latérale Inversée Performante” the French terms for “powerful reverse side combustion”. These types of equipment are under validation in

Morocco (figure 2) where electricity is available. The next important challenge is the providing of countries without electricity with this stove.

The goal of our work is to study the feasibility of using thermoelectric modules in this stove in order to generate electricity. The expected power is about 10 W not only for the fan but also for basic needs: lighting, radio and charging cell phones as well as other small electronic devices.

To test the TE modules. We have carried out an experimental device has been carried out in our laboratory where a gas heater simulates the stove.

The first part of this paper presents a review of existing thermoelectric generators for stoves.

Then the entire generator set-up is described including the thermal and mechanical parts ~~and~~ also as well as the switching electric regulator which converts the fluctuating voltage from the thermoelectric modules into a constant voltage and stores electrical energy in a battery. After showing the influence of the pressure on the contact resistance, experimental electrical power measurements are compared ~~to~~ with the results of a theoretical analysis using thermoelectric and heat transfer equations.

2. Review of existing thermoelectric generators for stoves

2.1. Thermoelectric generators

Thermoelectric generators directly convert ~~directly~~ a very small part of the heat going moving through them into electricity as described in figure ~~4~~ 3. They are composed of three parts: two heat exchangers and a TE module.

The efficiency of the TE module depends on the properties of the materials used for the thermocouples. For the moment semiconductors offer the best efficiency.

The only couple of materials available on the market at a reasonable price is Bismuth Tellurid (Bi_2Te_3). These materials can work at a temperature as high as 260°C continuously and intermittently up to 380°C . Other materials are being studied for higher temperatures, such as

clathrates, skutterudites, alloys Heusler, phases of Chevrel and oxides [10] but are not commercially available.

2.2. TE generators for stoves.

In the literature review, ~~only the experimental studies have been selected. we have selected the experimental studies.~~ The heat generator is the hot smoke of the stove and all the TE modules are made of bismuth-telluride Bi_2Te_3 .

Nuwayhid et al [11] have studied the possibility of using a proportion of the heat from 20–50 kW wood stoves, to provide a continuous 10–100W electric power supply. In a first prototype they used cheap Peltier modules for their TE Generator. The maximum power for a module was very low (1W) mostly because of the limited temperature difference due to the maximum temperature supported by the module and also because of the geometry which is optimized for cooling and not for generating power. In a following prototype [12] their TE generator used 1, 2 or 3 commercially available low-cost power generator modules. The cold side of the TE modules was naturally cooled with the surrounding air. They got a maximum power of 4.2W for one TE module and they showed that the output power per module decreased when ~~increasing~~ the number of TE modules in the TE generator ~~increased~~. This is a result of the reduction of the temperature difference between the hot and cold surfaces. They also made a TE generator using heat pipes for the heat sink [13]. The maximum power was about 3.4W. Lertsatitthanakorn [14] investigated the same type of prototype and he got a power output of 2.4W. He added an economic analysis ~~indicated~~ ~~indicating~~ that the payback period tends to be very short.

Mastbergen and Wilson [7] presented at the ETHOS 2005 congress (Engineers in Technical and Humanitarian Opportunities of Service) a prototype of TE generator with a forced air-cooling for the cold side with a 1W fan. The net power of 4W generated by the TE generator was sufficient to power an array of high intensity LEDs. Field tests [15] have been made in different countries but results are not available in the literature.

BioLite [16], an industrial lightweight backpacking stove, has been presented at the 2009 ETHOS conference. The TE generator is only used to create clean, efficient cooking with a forced-air draft fan for this ~~wood burning gasified~~ stove.

“Planète Bois” and our laboratories explore water cooling cold heat sink TE generators [8-17].

“Planète Bois” multifunction cook stoves produce hot water. The best location to put the TE generator is under the water tank as ~~and~~ the heat flux from the hot gas to the ~~water~~ tank (about 30 liters) can be used to produce electricity without ~~losses of losing~~ heat. So there is almost no additional energy cost. The heat exchanges with water are generally better than exchanges with air and the use of water guarantees that the cold heat sink temperature will always stay under 100°C.

Recently Rinalde et al [9] presented a forced water cooling system. Their laboratory prototype uses an electric heater for the heat source. They obtained a maximum power of 10W but needed a pump which certainly decreases the ~~output~~-available output power.

The different prototypes are summarized in table 1.

These results show that it is possible to obtain an electrical power of about 10 W. However, further experiments are necessary to study the feasibility of using thermoelectrical modules with our stove and to improve the generated electrical power.

3. Generator set up

As the water tank is a fixed part of the stove the TE generator must be installed during the building of the stove. So before installing the generator in a real stove, different experimental thermoelectric power generators were made and tested in our laboratory [17, 18] using smaller tanks. The obtained results ~~we obtained~~ were used to design a new experimental device including an electronic convertor. This new experimental setup, called TEGBioS II, permits allows to the study of the complete-global performances of the ~~thermoelectrical-TE~~ generator in real operating

conditions. It allows us to test the influence of the thermal contact and the electric part on the output power.

The set-up also permits the experimental study of both the thermal and the electric parts in order to validate a one dimensional steady state modeling.

After an economic study between modules from HIZ (13 W for 103€) and Thermonamic (14W for 67€), it was chosen for our prototype the Thermonamic model TEP1-12656-0.6 with 126 couples and a size of 56mmx56mm. These modules can work at the temperature of as high as 320°C continuously and stand with up to 400°C heat source at the hot side but the temperature of the cold side of the module cannot go above 200°C. This difference is due to the bonding process which uses materials with different melting point for each side of the module.

3.1. Thermal and mechanical part

The thermal and mechanical part is presented in figure [24](#)

An aluminum heat sink with fins is mounted on the hot side of the TE modules. An aluminum tank (2 liters) filled with water is used as a cold side exchanger. ~~The~~This water ~~in the tank~~which is the cold heat sink for the TE generator ~~and it represents~~will be the domestic hot water in a real application. A compressive load is applied in the centre of the tank to reduce thermal contact resistance.

For the experiment, it was easier to make measurements with the load applied in the centre but in the final design, it will be applied along the edges of the tank. Thermal grease is used for each contact. To reduce thermal contact resistance, ~~we also polish~~ the aluminum surface is polished with a milling machine to get a ~~very good~~proper flatness around 25µm (standard deviation of height). A pressure up to 7.5 bars can be applied to the TE module. The pressure is measured with a strain gauge sensor for compression measurements (Sensel SM1182). Thermal insulation is used between the two exchangers (see figure [24](#)). ~~We added~~two aluminium blocks

~~instrumented with thermocouples are added~~ on each side of the TE module. ~~These blocks are instrumented with thermocouples~~ as shown in figure 35. Other thermocouples allow us to measure the ~~temperatures of the~~ water and the hot air ~~temperatures~~.

The operating parameters of the improved stove are reproduced with a gas heater. The temperature and the flow rate of the hot air are the same as the values obtained with the stove. The use of the gas heater allows us to simplify the experimental procedure of the TE generator study.

3.2. Electrical part

Two points are particularly important: the storage of electrical energy and the voltage regulation.

At the beginning of the burning, the temperatures are very low and the TE generator does not produce any electricity. The autonomy of the cooking stove requires a battery to store the electrical energy produced by the TE modules and to restore it at the beginning of the burning.

A lead-acid battery has been chosen because it currently offered the best response in terms of price, energetic efficiency, lifetime and availability in developing countries.

Valve regulated lead-acid (VRLA) batteries have been selected as they can be used directly in home environment; they are self-contained and safe, they can be stored and used in any orientation and are maintenance free. In normal use, they are environmentally friendly.

~~As~~ Since the fan, LEDs, radios and cell phones only need low voltage and also because of availability, we have chosen '6V' batteries.

The expected service life of the standard VRLA battery is typically 5 years when used in floating voltage. For a 6V battery the floating voltage is about 6.75V.

The lead-acid charging process is somewhat lenient as long as it is not overcharged, overheated,

or let to form excessive gas. There are different methods ~~for~~ of charging lead-acid battery [19,

20]. We have chosen a simple but efficient method: constant voltage, current limited charging. In

the initial charging stage, the current flowing into the battery is limited to a value of the

maximum charging current about 20% of capacity in Amp.hours. In the second stage the constant voltage maintains the battery in a fully charged float condition.

An electrical power of about 6W available for the battery implies a charging current of 0.9A. As the maximum charging current is about 1/5 of the capacity, ~~we chose~~ a 4.5Ah battery is selected for our experiment.

Since the heat produced by the combustion vary a lot during the use of the stove (wood supply, quality of wood, cooking) and the temperature of the water is modified when people take or add water, the temperatures on each side of the TE generator vary a lot. As a consequence ~~of these temperature difference changes~~, the output voltage of the generator fluctuates a lot. A power electronic circuit is required to regulate the output voltage and to boost it to the battery level. As the voltage of the one module TE generator is low a boost regulator is necessary.

~~We have developed a~~ An electronic converter (figure 46) has been developed using a step-up switching regulator MAX642 which works in the 5mW to 10W range with a very good efficiency. Some electronic circuits are added to limit the charging current of the battery. This electronic converter was tested with a laboratory power supply. Simple tests made on a resistive load showed that the efficiency is stands in a range from 80% to 85% [17, 18].

3.3. One-dimensional steady-state analysis

Thermoelectric modules are made of n couples of p-type and n-type semiconductor pellets connected with metal solder. For electrical insulation, two ceramic wafers sandwich the pellets (figure 35).

We used the one dimensional model commonly described in literature (1-D heat flow) of a typical TE module made of n thermocouples [21, 22].

These equations are obtained from the study of a single n or p-type element assuming that all connections between the pellets are perfect: no electrical and thermal resistance.

We also assume that there is no conduction, convection or radiation via the ambient, which means that the only path to transfer heat from one side of the pellet to the other is through the TE material. These assumptions give the following TE equations for the heat released on the cold side, q_c , the heat absorbed on the hot side, q_h , and for the generated electrical power P_{elec} .

$$q_h = n \left[\alpha_{pn} I T_h - \frac{R_{pn} I^2}{2} - K_{pn} (T_c - T_h) \right], \quad (1)$$

$$q_c = n \left[\alpha_{pn} I T_c + \frac{R_{pn} I^2}{2} - K_{pn} (T_c - T_h) \right], \quad (2)$$

$$P_{elec} = n \left[\alpha_{pn} I (T_h - T_c) - R_{pn} I^2 \right], \quad (3)$$

where I is the current, T_c and T_h are respectively the temperatures of the cold side and the hot side of the TE module.

The parallel thermal conductance, K_{pn} , serial electrical resistance, R_{pn} , and Seebeck coefficient,

α_{pn} of one thermocouple are :

$$K_{pn} = \frac{\lambda_n \times S_n}{L_n} + \frac{\lambda_p \times S_p}{L_p}, \quad (4)$$

$$R_{pn} = \frac{\rho_n \times L_n}{S_n} + \frac{\rho_p \times L_p}{S_p}, \quad (5)$$

$$\alpha_{pn} = \alpha_p - \alpha_n, \quad (6)$$

L_n , L_p and S_n , S_p are respectively the leg length and cross-sectional area of the pellets.

Formatted: Font: Italic

Formatted: Font: Italic

Formatted: Font: Italic

Formatted: Font: Italic

Formatted: Font: Italic

$\alpha_p, \alpha_n, \lambda_n, \lambda_p, \rho_n, \rho_p$ are temperature dependent and are evaluated at the average temperature

$T_a = \frac{T_h + T_c}{2}$, the values are taken from CRC Thermoelectric Material Properties n and p-type

Bi_2Te_3 [21, 23].

For ~~our particular~~ the selected commercial modules $n=126, L_p=L_n=1.4\text{mm}, S_n=S_p=6.6\text{mm}^2$.

For an electric load R_E , current I can be calculated with

$$I = \frac{Eo}{nR_{pn} + R_E} = \frac{n\alpha_{pn}(T_h - T_c)}{nR_{pn} + R_E}, \quad (7)$$

Eo is the open circuit voltage of the TE module.

The maximum output power P_{elec}^{max} will be obtained for a matched load which means $nR_{pn}=R_E$.

Formatted: Font: Italic

The temperature T_c and T_h can be evaluated by using a thermal resistance model (figure 57).

R_{ce1}, R_{ce2} are the thermal resistances of the ceramic wafers, R_{cc} and R_{ch} are the contact thermal resistances between wafers and aluminum blocks. The temperature measurements (T_{h1}, T_{h2}, T_{h3} and T_{h4}) are ~~made taken~~ with type K thermocouples placed in holes in each of the two aluminum blocks (figures 3-5 and 68). The temperatures of the hot and cold sides of ceramic wafers of the module T_{sh}, T_{sc} and the temperatures T_h and T_c are calculated by using the energy conservation assuming that the aluminum blocks are well insulated from the ambient : $q_c=q_{sc}$ and $q_h=q_{hc}$.

$$\text{For example } q_c = \frac{T_{h4} - T_{h3}}{R_{ala}} = \frac{T_{h3} - T_c}{R_{alb} + R}, \quad (8)$$

with

$$R_{ala} = \frac{e_a}{\lambda_{al} \cdot S}, R_{alb} = \frac{e_b}{\lambda_{al} \cdot S} \quad (9)$$

$$R = \frac{e_c}{\lambda_{ceram} \cdot S} + \frac{1}{h_{contact} \cdot S} + \frac{e_s}{\lambda_{solder} \cdot S} \quad (10)$$

λ_{al} , λ_{ceram} , λ_{solder} are the thermal conductivities of respectively the aluminium, the ceramic wafers and the metal solders. $h_{contact}$ is the contact heat transfer coefficient or thermal contact coefficient. The thermal contact resistance $\frac{1}{h_{contact}S}$ is introduced to take into account that the

contact between ~~the~~ ceramic and ~~the~~ metal is not perfect.

According to equation 8 :

$$T_c = T_{h3} + \frac{(R_{alb} + R)}{R_{ala}} (T_{h3} - T_{h4}) \quad (11)$$

$$T_c = T_{h3} + \frac{e_b + e_c \frac{\lambda_{al}}{\lambda_{ceram}} + e_s \frac{\lambda_{al}}{\lambda_{solder}} + x}{e_a} (T_{h3} - T_{h4}) \quad (12)$$

with $x = \frac{\lambda_{al}}{h_{contact}}$

The analysis was done with $e_a=13.9\text{mm}$, $e_b=3.2\text{mm}$, $e_c=1\text{mm}$, $e_s=0.7\text{mm}$, $\lambda_{solder} \approx \lambda_{al} = 237 \text{W} \cdot \text{m}^{-1} \cdot \text{K}^{-1}$, $\lambda_{ceram} = 25 \text{W} \cdot \text{m}^{-1} \cdot \text{K}^{-1}$. The parameter x ($h_{contact}$) will be fitted by comparison between the measured power and the calculated power.

4. Results

The temperatures, tensions, currents and pressure (Pr) applied on the module are recorded by ~~using~~ an Agilent 34970A Data Logger. The measurement system enables us to obtain a precision of 0.01% for the tensions, 0.1% for the currents and 0.5°C for the temperatures. But, because of the difficulty in measuring a temperature accurately, the temperature errors are evaluated to 1°C. The precision of the pressure measurements is 0.25%.

~~We recorded~~ T_{h1} , T_{h2} , T_{h3} , T_{H4} , Pr and also V_{out} , V_{bat} , I_{bat} and I_L (see figure 46) are recorded.

Formatted: Subscript

Formatted: Subscript

Formatted: Subscript

~~We calculated the~~The output power from the thermoelectric module $P_{elec} = V_{TE} \cdot I$ and the available power for the end users are calculated:

$$P_{av} = V_{out} \cdot I_L + V_{bat} \cdot I_{bat} \quad (13).$$

4.1. Influence of the contact resistances

The objective of this first experiment was to evaluate the influence of the pressure on the contact resistances.

For this experiment, ~~we replace~~ the electronic DC-DC regulator was replaced by a simple resistor. Its value was around 1.2Ω in order to be almost adapted to the value of internal load of the TE module. ~~The~~Temperature T_c was ~~maintained~~kept nearly constant by adding ice during the experiment, so that the temperature difference (ΔT) was ~~kept~~ almost constant ($120 \pm 5^\circ\text{C}$).

Keeping T_c and T_h constant ~~guaranties~~guarantees that there ~~are~~is no variation of the internal physical properties (K_{pn} , R_{pn} , α_{pn}) of the TE modules.

The slightly variations of the temperature difference were corrected by using the relation (14) given by Min and Rowe [24].

$$P_{elec}(120^\circ\text{C}) = P_{elec}(DT) \cdot \left(\frac{120}{DT}\right)^2 \quad (14)$$

~~We increased~~The compressive ~~load~~ is increased from 0 to 750kPa and then decreased again to 0 (figure 79). A one shot measurement was ~~made~~taken 24 hours later.

Figure 79 shows that the electrical output power increases with the pressure from 0 to 400kPa.

Beyond there is only a slight increase in the output power over the tested loading range (the differences in all values are less than 5% and probably not significant).

When ~~decreasing~~ the mechanical load decreased, the output power remained constant. This is interesting because as it shows that thermal expansion will not probably affect the electrical

Formatted: Font: Italic

Formatted: Font: Italic

Formatted: Font: Italic

Formatted: Font: Italic

Formatted: English (U.S.)

Formatted: Font: Italic, English (U.S.)

Formatted: Font: Italic, English (U.S.)

output power during a normal operation. The last measurement made 24 hours later shows that the prototype does not keep this property after cooling.

This first experiment shows that a choice of 500kPa (5 bar) is a reasonable value ~~for to~~ minimizing-minimize the contact resistance. A more important value might be destructive for the delicate thick ceramic plate because of the thermal expansion during the transient states.

4.2. Electrical Power measurements

The ~~is aims of this~~ experiment ~~aimed were to at~~ determine-determining the electrical power (regulated and not regulated) of the TE generator, ~~to compare~~ ing it with the theoretical power given by the 1D model and ~~to assess~~ ing the value of the thermal contact resistance. The final goal of the measurements ~~is was~~ to find out if we ~~get got~~ the maximum available power from our prototype and to ~~analyse~~ analyze what could be improved.

For this experiment, the complete TE generator including the electronic part with a load resistor of 12Ω was tested. Figure ~~8-10~~ shows the hot and cold side temperatures and the corresponding electrical power for a half-~~an~~-hour experiment.

The TE module produced a maximum electrical power of 9.5W and because of losses in the electronic convertor a maximum power of 7.6W was available.

The resistor R_E seen by the TE module can be calculated by using the voltage and current measurements: $R_E = \frac{V_{TE}}{I}$.

This impedance R_E is not exactly matched but it is possible to calculate the maximum power that would be obtained if the electronic convertor matched the load.

As $V_{TE} = E_o \frac{R_E}{R_E + nR_{pm}}$, then P_{elec} can be expressed as :

$$P_{elec} = \left(\frac{E_o \cdot R_E}{R_E + nR_{pn}} \right)^2 \cdot \frac{1}{R_E} \quad (15)$$

$$\text{and for a matched load } P_{elec}^{max} = \frac{E_o^2}{4nR_{pn}} \quad (16)$$

The maximum power (dashed line) on figure 9-11, can be calculated by:

$$P_{elec}^{max} = P_{elec} \frac{(R_E + nR_{pn})^2}{4nR_{pn} \cdot R_E} \quad (17)$$

Then ~~we compare~~ this maximum power ~~is compared~~ with the power obtained with the 1D model for a matched load using χ as fitting parameter. A value of $h_{contact}$ of 20000 W.m⁻².K⁻¹ guarantees a good matching of the two curves for different trials (variations on the input heat flux). This

value of about 20000 W.m⁻².K⁻¹ corresponds to a good contact according to the reference [25].

The results are presented in figure 10-12. Uncertainties are evaluated for a 0.5mm error on the measurements of e_a and e_b . The value found for $h_{contact}$ shows that in this prototype we have almost reached the maximum power available from such a TE generator. The mechanical and thermal design is optimized.

The point to be improved is the matching between the TE module and the electronic convertor.

In our experiment the load was chosen to be near the matched load as seen in figure 9-11 but in different uses the mismatch could be very important and the output power could be much lower than P_{elec}^{max} .

As the output current changes, the working point moves and it will be necessary to use a maximum power point tracking (MPPT) electronic regulator [26]. This can be done by a cheap microcontroller in the electronic circuit. Nowadays microcontrollers have very low power consumption and will not penalize the regulator in comparison with the benefits given by the matching load tracking. A ~~Mm~~ microcontroller could also add some intelligence to control the fan

Formatted: Font: Italic

and thus to slow down the gas speed in case of an increasing temperature ~~going over~~exceeding the maximum temperature ~~supported~~tolerated by the hot side of the TE module.

4.3. Economic perspective

The economic study is important to fill a gap between the laboratory prototype and the dissemination of the multifunction cooking stove equipped with TE generator. The other challenger producing electricity in these countries without large power plant is photovoltaic. An economic analysis is presented in Table 2. The cost was calculated for different volumes of production according to the price of the individual components. By comparison the average price of 10 watts (supplied with their regulator) solar panels in France is about 13€ per watt. Even if the cost estimated in Table 2 does not include the labor cost, the result show that the cost per watt of TE module is very competitive with solar panels.

5. Conclusion.

An experimental TE generator suitable for electricity production in multifunction biomass stoves has been presented. The complete system from the heat source up to the end users electricity production, including electronic convertor and battery charging, has been studied.

The influence of ~~the~~ thermal contact has ~~been shown~~been shown. A compressive load of about 5 bars is necessary to minimize the thermal contact and get back to a sufficient output power.

The comparison between the experimental data and the commonly used one dimensional thermoelectric model shows a good agreement. The very reasonable value of the contact

resistance validated by the comparison shows that the mechanical design of the generator is ~~quite~~well optimized. In the case of an almost matched load, the TE module has produced up to 9.5W.

Due to the fluctuating output, an electronic boost regulator stores this electrical energy in a battery with an around 6.7V stabilised voltage. The maximum power of stabilized electricity

available for the end users ~~was is~~ around 7.6W obtained with an economic cost competitive with solar panels.

Further work is planned to prevent the decrease in output power in case of a mismatched load by adding a maximum power point tracking convertor. It will be obtained at a lower cost by adding an ordinary microcontroller. This microcontroller could also prevent the TEG from overheating by monitoring the temperature on the hot side and controlling the speed of the fan to eventually decrease combustion.

Another experimental device will be carried out in order to incorporate the thermoelectric generator in a real improved stove. This prototype will enable us to validate the complete system before field testing in developing countries.

References

- [1] International Energy Agency, World Energy Outlook 2006, IEA Publications, France
- [2] Anozie AN, Bakare AR, Sonibare JA, Oyebisi TO. Evaluation of cooking energy cost, efficiency, impact on air pollution and policy in Nigeria. *Energy* 2007; 32:1283–1290
- [3] Parikh J, Balakrishnan K, Laxmi V, Biswas H. Exposure from cooking with biofuels: pollution monitoring and analysis for rural Tamil Nadu, India. *Energy* 2001; 26:949–962.
- [4] Bhattacharya SC, Albina DO, Khaing AM. Effects of selected parameters on performance and emission of biomass-fired cookstoves. *Biomass & Bioenergy* 2002;23: 387–395.
- [5] Haines A, Smith KR, Anderson D, Epstein PR, McMichael AJ, Roberts I, Wilkinson P, Woodcock J, Woods J. Policies for accelerating access to clean energy, improving health, advancing development, and mitigating climate change. *The Lancet* 2007; 370, Issue 9594, :1264-1281.

[6] URL : www.worldenergyoutlook.org/database_electricity/electricity_access_database.htm.

last accessed June 2010.

[7] Mastbergen D, Willson B. Generating Light from Stoves using a Thermoelectric Generator.

Presented at the ETHOS International Stove Research Conference, 2005 Seattle, Washington.

[Available at www.vrac.iastate.edu/ethos/](http://www.vrac.iastate.edu/ethos/) last accessed december 2010

[8] Champier D, Bedecarrats JP, Rivaletto M, Strub F. Thermoelectric power generation from biomass cook stoves. *Energy* 2010;35, Issue 2:935-942.

[9] Rinalde GF, Juanico LG, Tagliavere E, Gortari S, Molina MG. Development of thermoelectric generators for electrification of isolated rural homes. *International Journal of Hydrogen Energy* 2010;35 Issue 11: 5818-5822

[10] Rowe DM. Thermoelectric waste heat recovery as a renewable energy source.

International Journal of Innovations in Energy Systems and Power 2006; vol 1, no 1.

[11] Nuwayhid RY, Rowe DM, Min G. Low cost stove-top thermoelectric generator for regions with unreliable electricity supply. *Renewable Energy* 2003;28:205–222

[12] Nuwayhid RY, Shihadeh A, Ghaddar N. Development and testing of a domestic woodstove thermoelectric generator with natural convection cooling. *Energy Conversion and Management* 2005;46:1631–1643

[13] Nuwayhid RY, Hamade R. Design and testing of a locally made loop-type thermosiphonic heat sink for stove-top thermoelectric generators. *Renewable Energy* 2005;30: 1101–1116

[14] Lertsatitthanakorn C. Electrical performance analysis and economic evaluation of combined biomass cook stove thermoelectric (BITE) generator. *Bioresource Technology* 2007;98:1670–4

- [15] Joshi S, Mastbergen D, Willson B. Field Testing of Stove-Powered Thermoelectric Generators. Presented at the ETHOS International Stove Research Conference 2007, Kirkland, Washington. [Available at www.vrac.iastate.edu/ethos/](http://www.vrac.iastate.edu/ethos/) last accessed december 2010
- [16] URL: www.biolitestove.com/BioLite.html last accessed June 2010.
- [17] Champier D, Rivaletto M, Strub F. TEGBioS : a prototype of thermoelectric power generator for biomass stoves. Proc. of ECOS 2009 22nd International Conference on Efficiency, Cost, Optimization, Simulation, and Environmental Impact of Energy Systems 2009, Paraná, Brazil.
- [18] Champier D, Rivaletto M, Strub F, Improving biomass stove with a thermoelectric generator. Proc of SDEWES 5th Dubrovnik Conference on Sustainable Development of Energy Water and Environment 2009, Dubrovnik.
- [19] Yuasa Battery Sales. NP valve regulated lead acid battery manual 1999 . www.yuasa-battery.co.uk. last accessed June 2010.
- [20] Daoud A, Midoun A. Fuzzy Control of a Lead Acid Battery. Journal of Electrical Systems 2005;1-1:52-9.
- [21] Rowe DM, CRC Handbook of Thermoelectrics. London: CRC Press; 1996.
- [22] Mitrani D, Salaza J, Turo´A, Garcia JM, Chavez JA. One-dimensional modeling of TE devices considering temperature-dependent parameters using SPICE. Microelectronics Journal 2009;40, Issue 9:1398-1405.
- [23] Rowe DM, Min G. Design theory of thermoelectric modules for electrical power generation. IEE Proceedings: Science, Measurement and Technology 1996;143, no. 6:351–6.
- [24] Min G, Rowe DM. Peltier devices as generators. CRC Handbook of Thermoelectrics. New York: CRC Press,1995, p. 479-488.

[25] Rohsenow WM, Hartnett JP, Cho YI. Handbook of heat transfer, Third Edition, McGraw-Hill, 1998.

[26] Eakburanawat J, Boonyaroonate I. Development of a thermoelectric battery-charger with microcontroller-based maximum power point tracking technique. Applied Energy 2006;83:687–704

[Figure 1. Schematic of the energy-efficient multifunction mud stove](#)

[Figure 2. "CLIP" stove in Morocco](#)

Figure [43](#). Basic principle of a TE power generator

Figure [24](#). Schematic of the thermal and mechanical parts of the TE generator.

Figure [35](#). Schematic of a thermoelectric module

Figure [46](#). Schematic of an electronic part of the TE generator with the measurement.

Figure [57](#). Thermal resistance model of the thermoelectric module

Figure [68](#). Details of a thermoelectric module

Figure [79](#). Measured electrical power (Pelec) as a function of the pressure for a temperature difference of 120°C

Figure [810](#). Cold and hot side temperatures and electrical powers during the experiment

Figure [911](#). Measured electrical power and calculated maximum output electrical power.

Figure [4012](#). Comparison between measurements and 1D model of the TE generator.

Table_1 TE generators using Bismuth-Telluride commercial modules

Table 2 Projected cost of the TE generator

Figure 1
[Click here to download high resolution image](#)

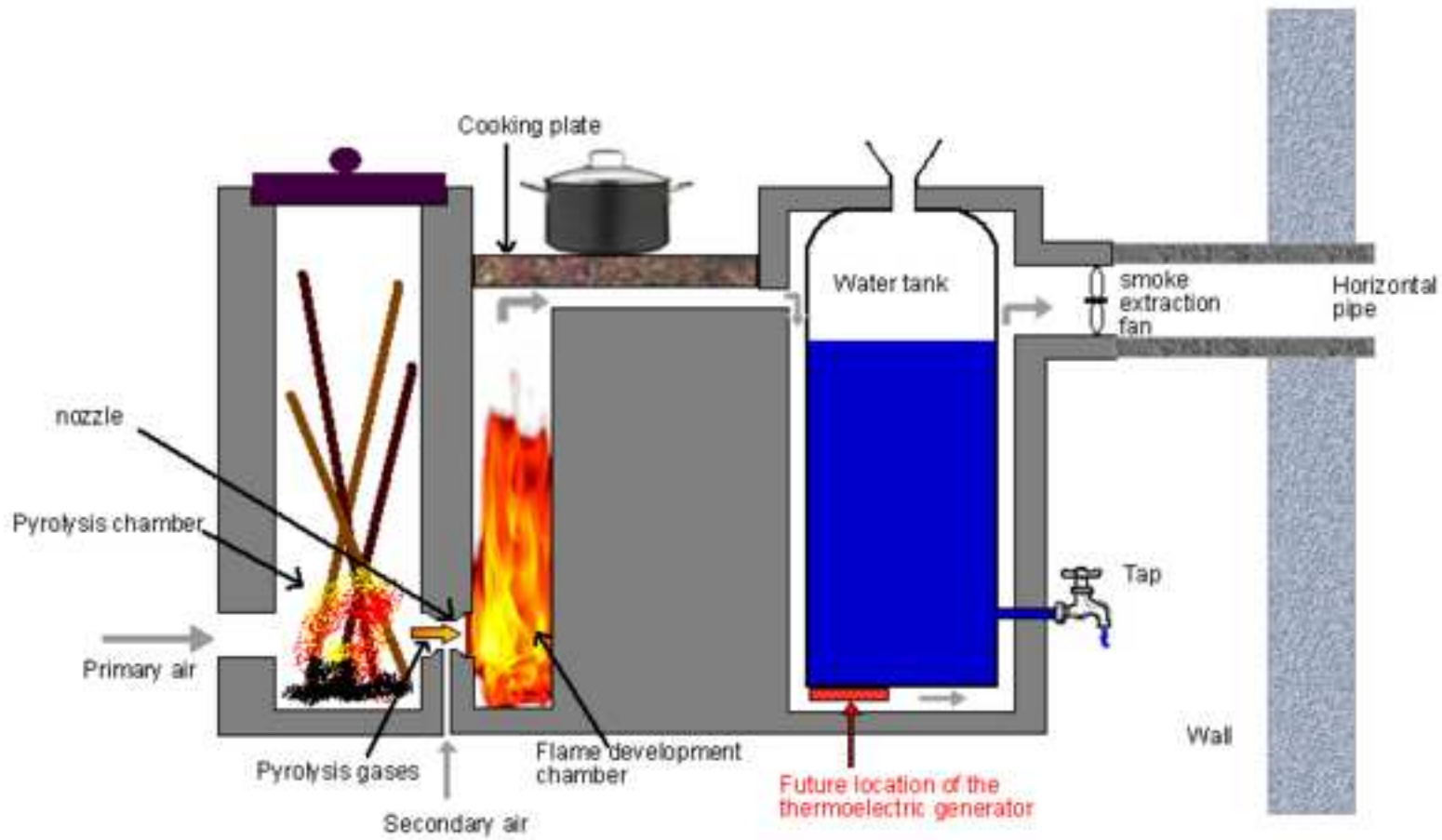


Figure 2
[Click here to download high resolution image](#)



Figure 3
[Click here to download high resolution image](#)

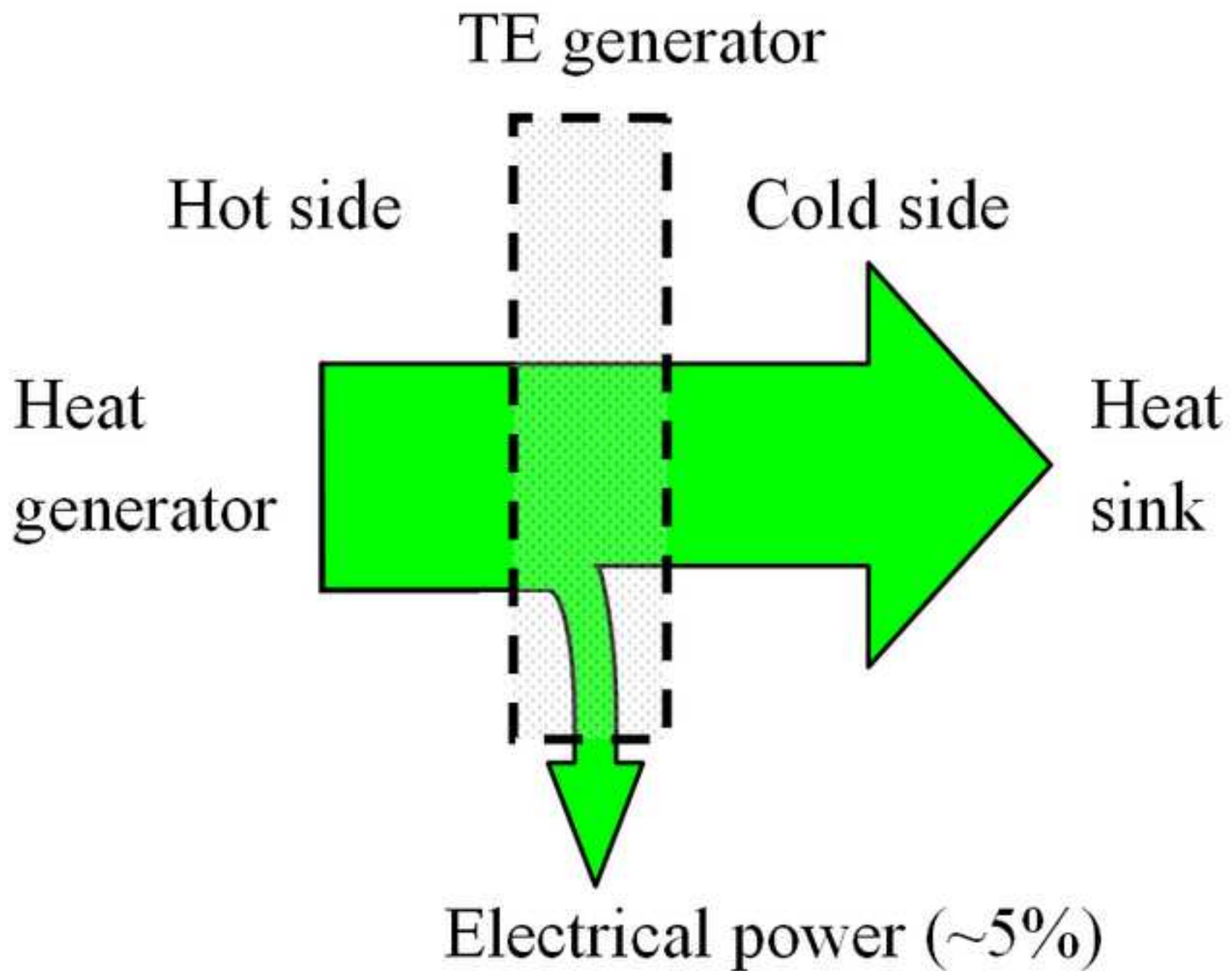


Figure 4
[Click here to download high resolution image](#)

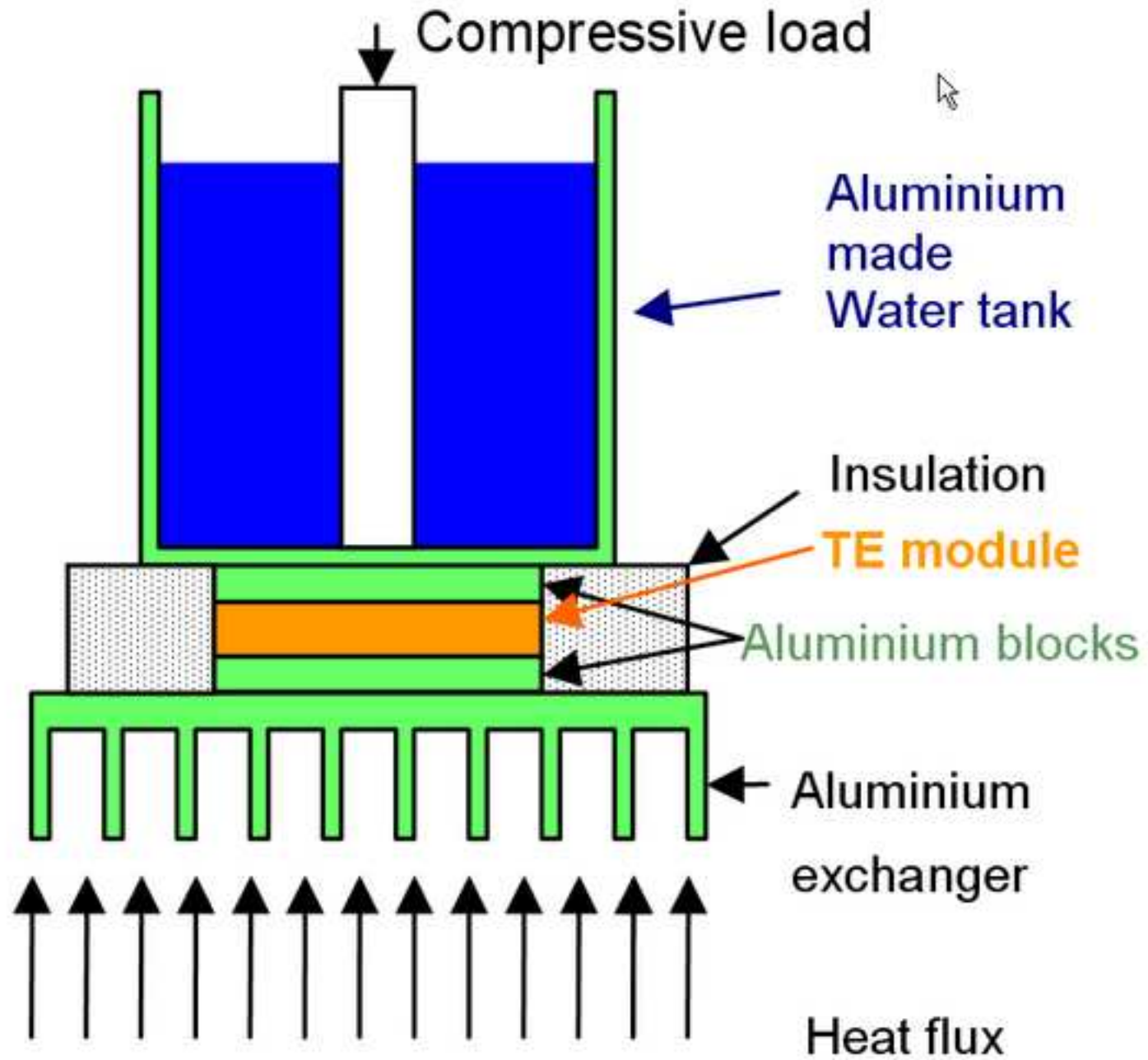


Figure 5
[Click here to download high resolution image](#)

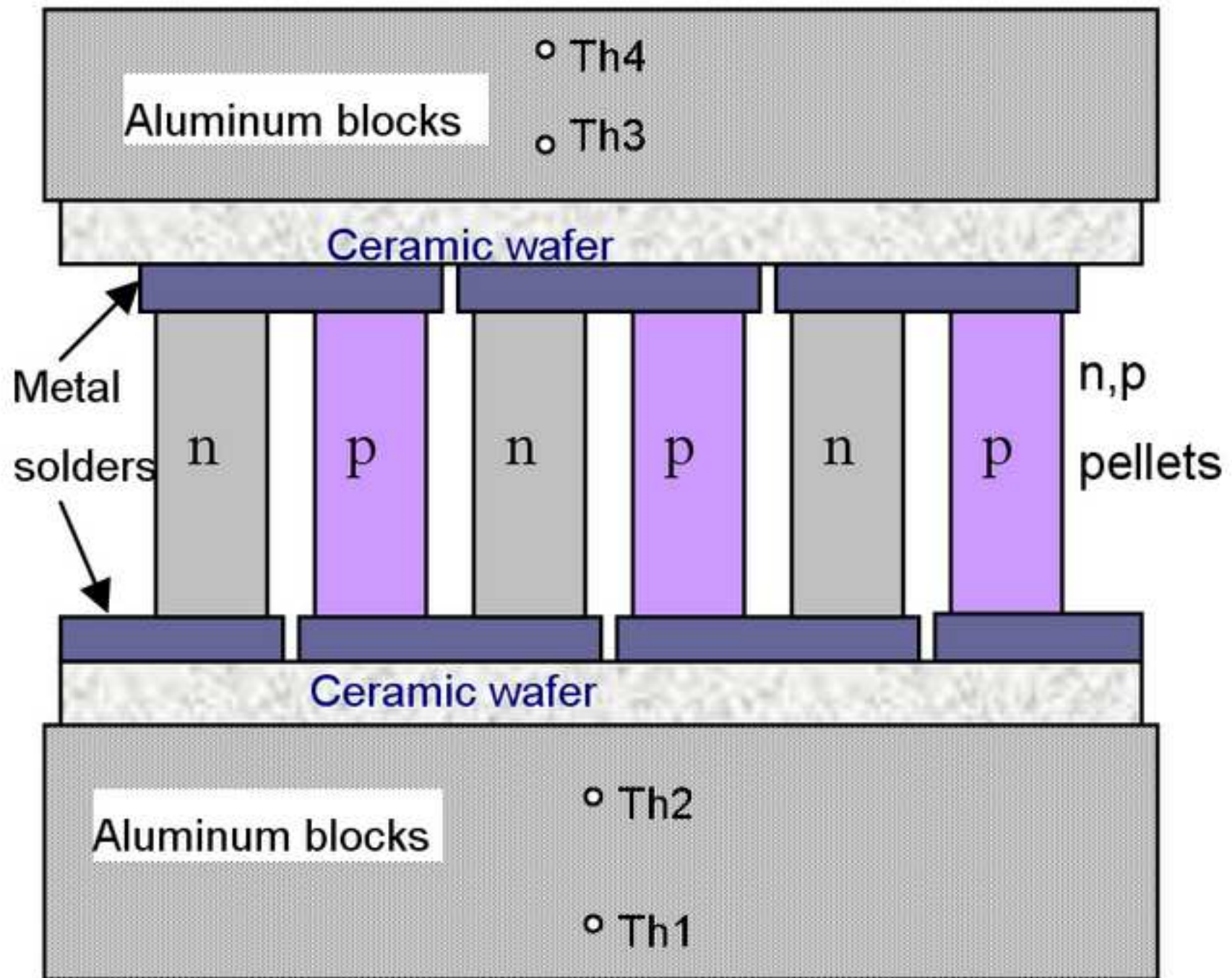


Figure 6
[Click here to download high resolution image](#)

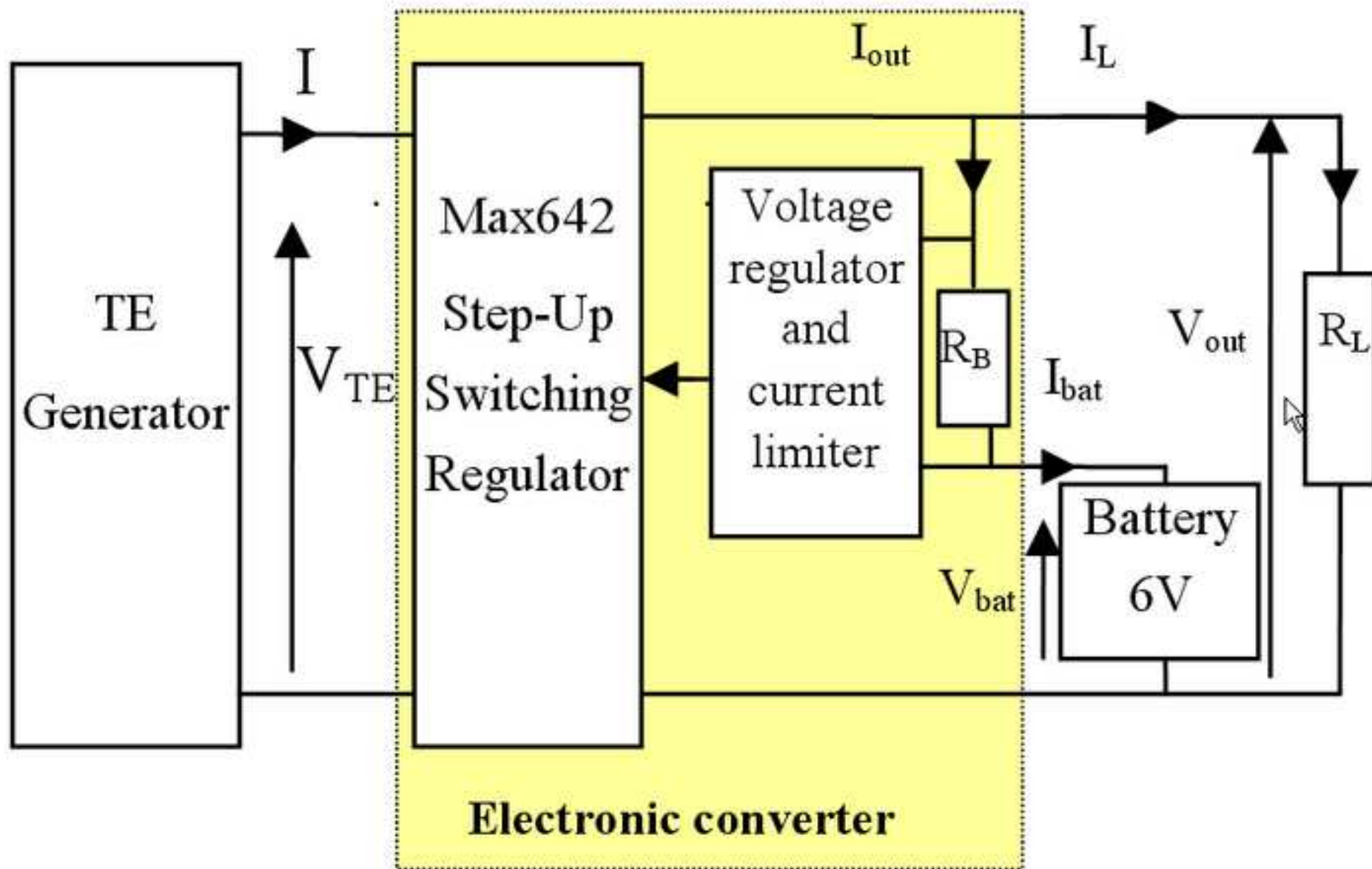


Figure 7
[Click here to download high resolution image](#)

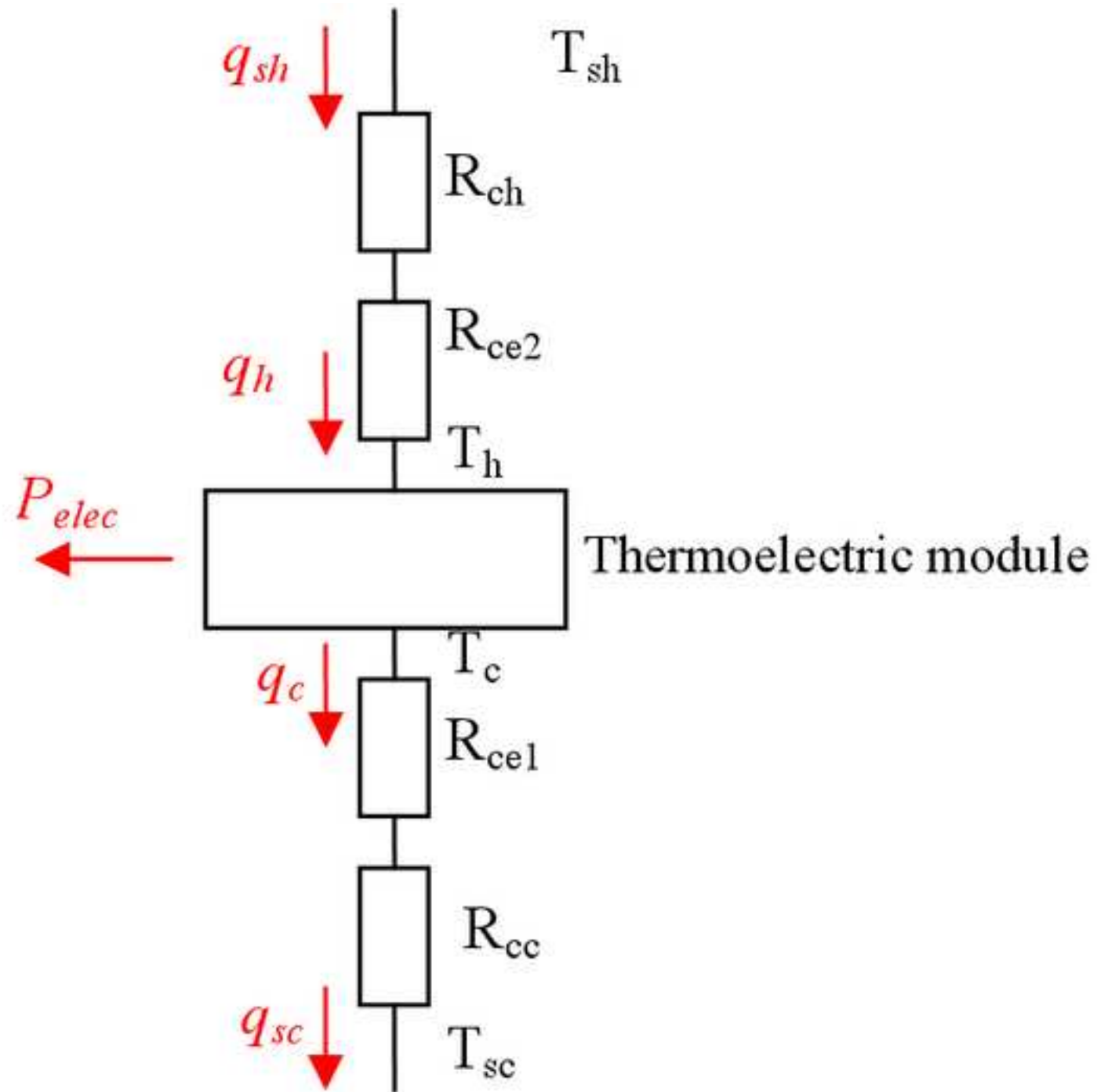


Figure 8
[Click here to download high resolution image](#)

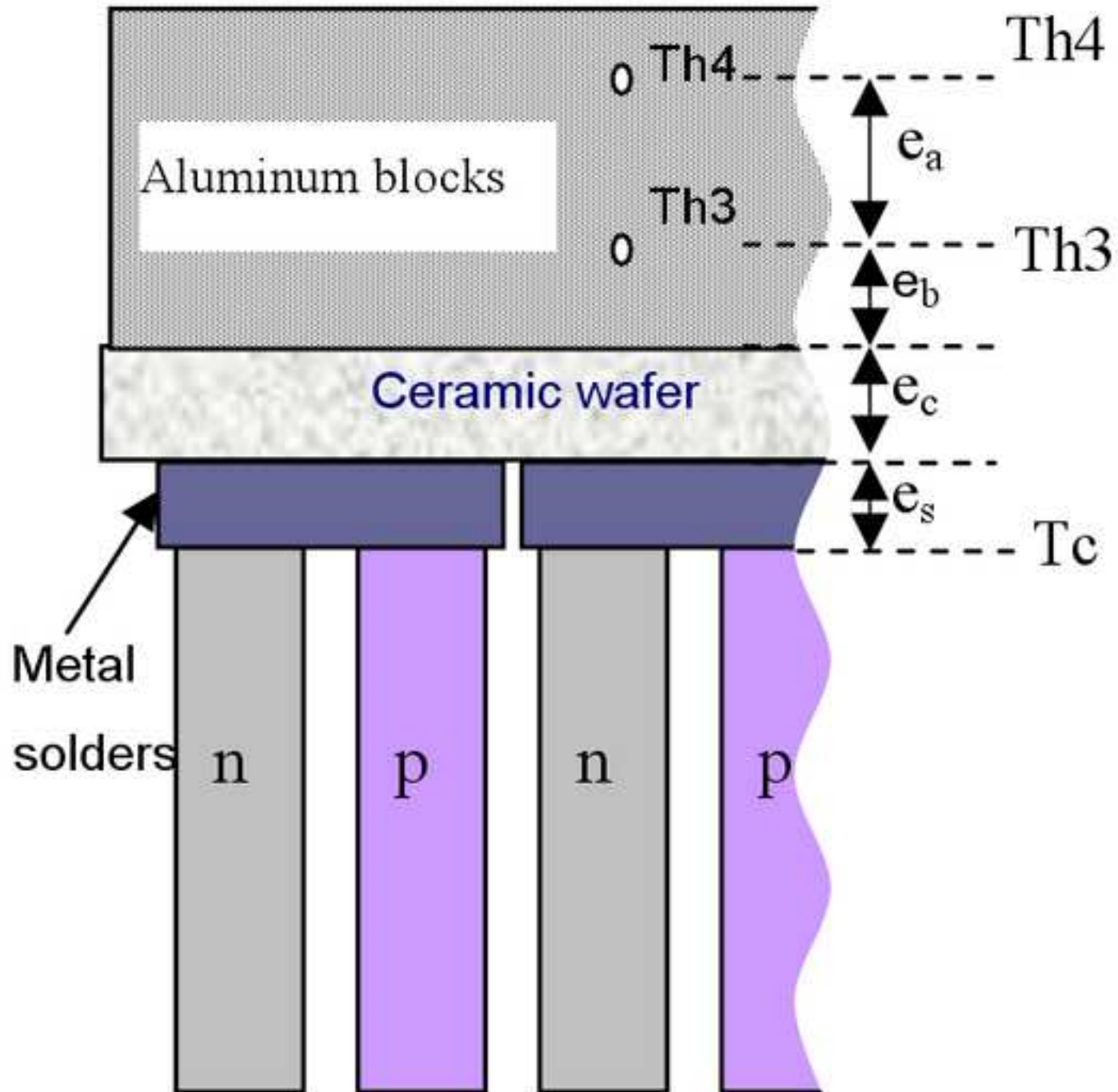


Figure 9
[Click here to download high resolution image](#)

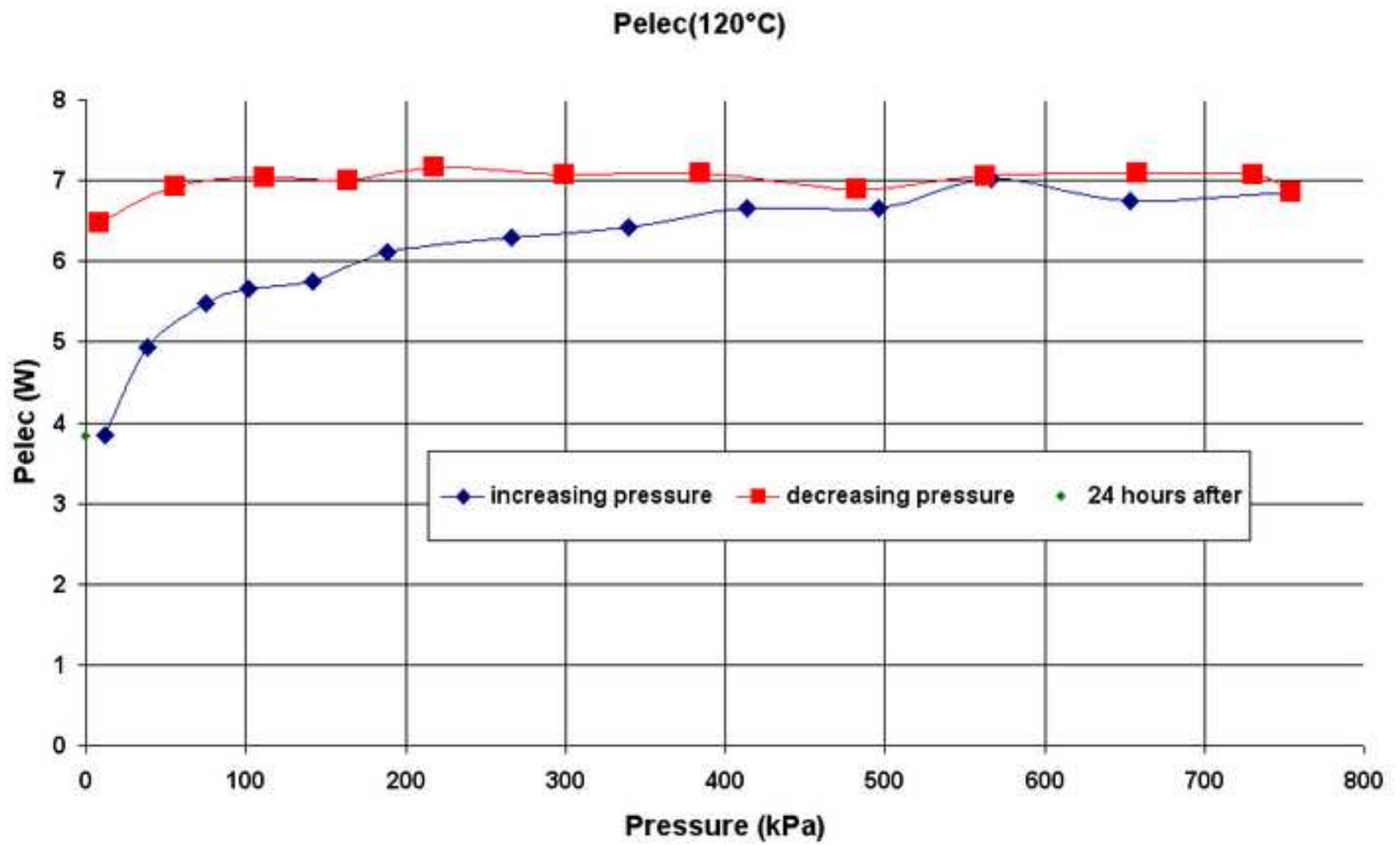


Figure 10
[Click here to download high resolution image](#)

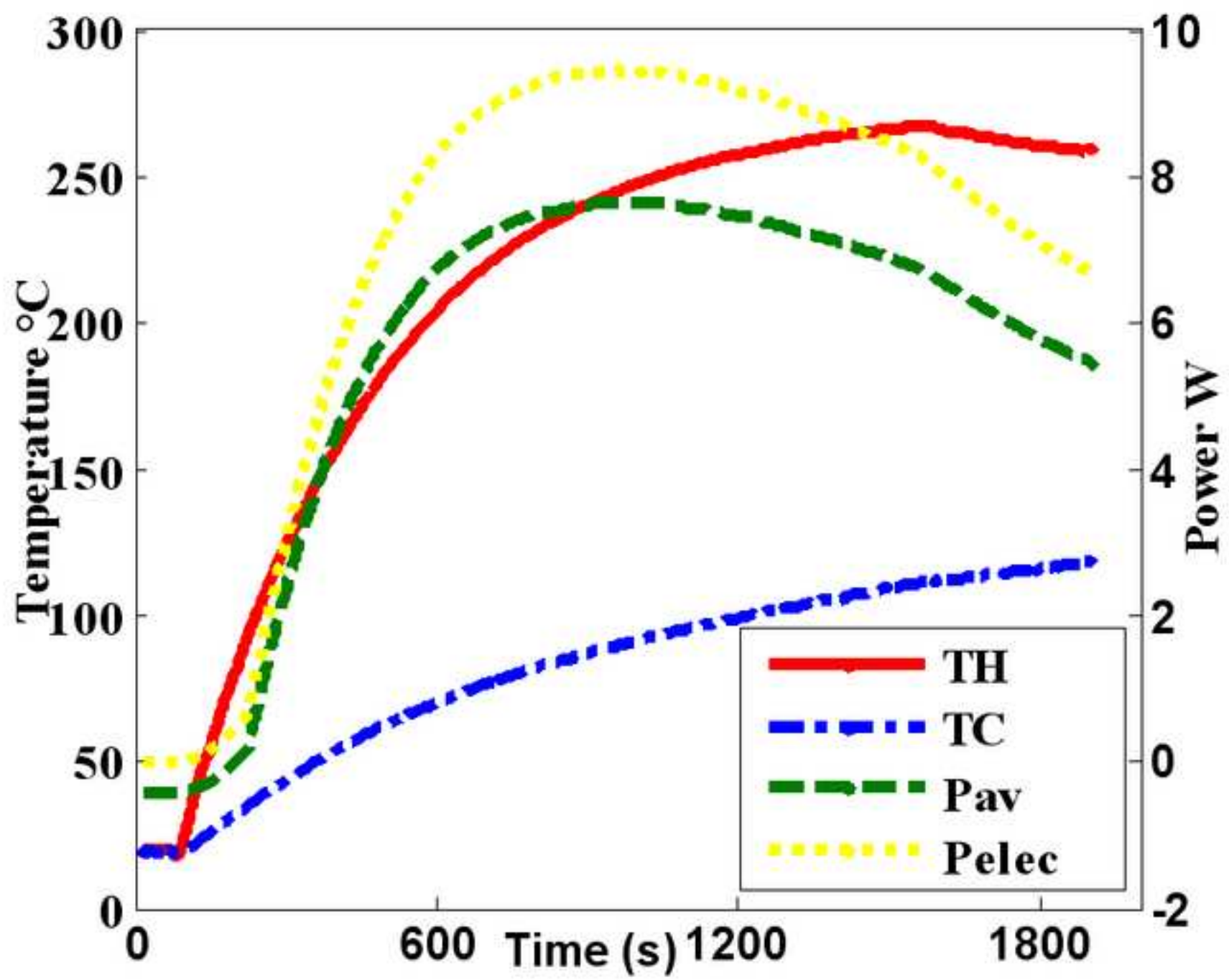


Figure 11
[Click here to download high resolution image](#)

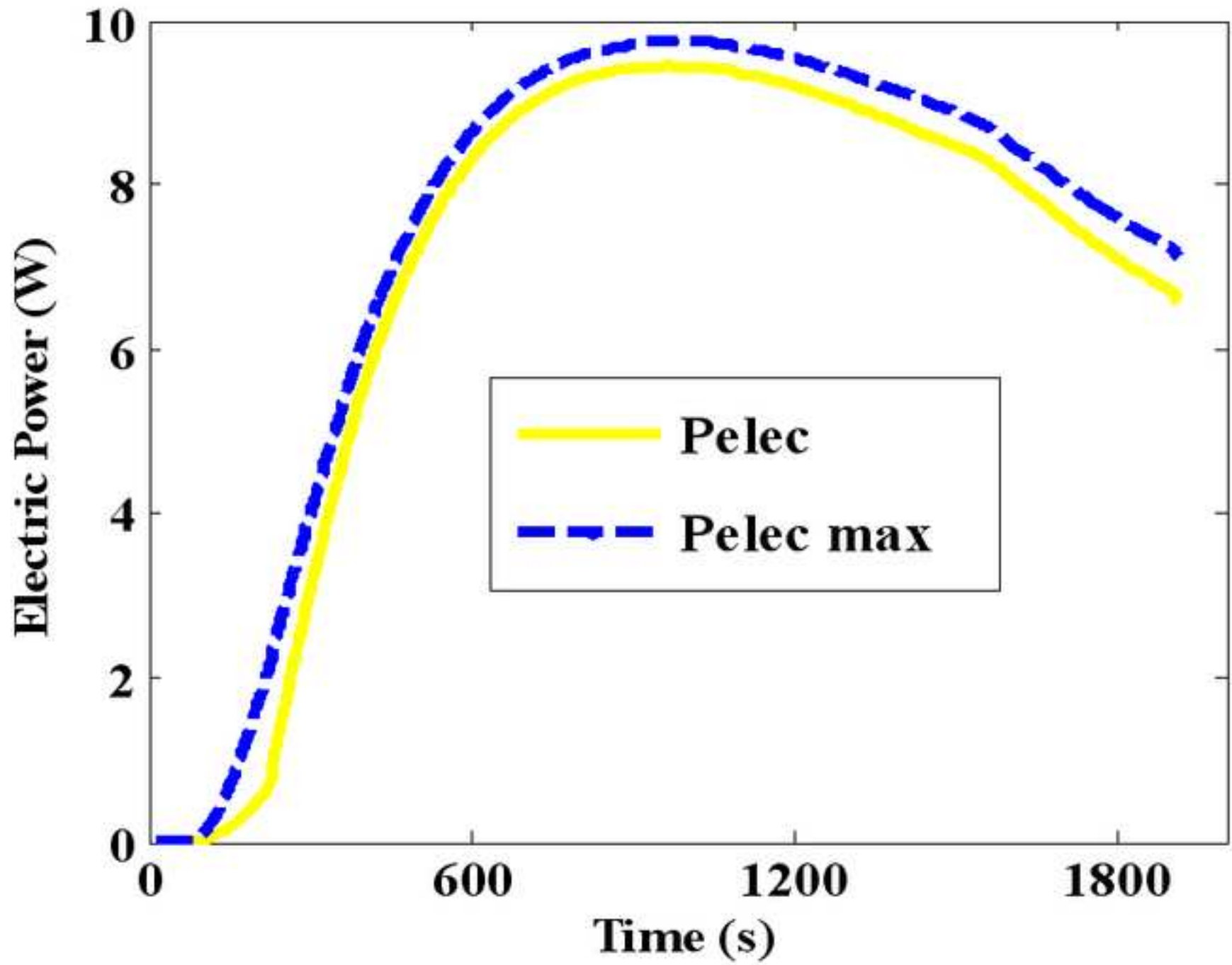


Figure 12
[Click here to download high resolution image](#)

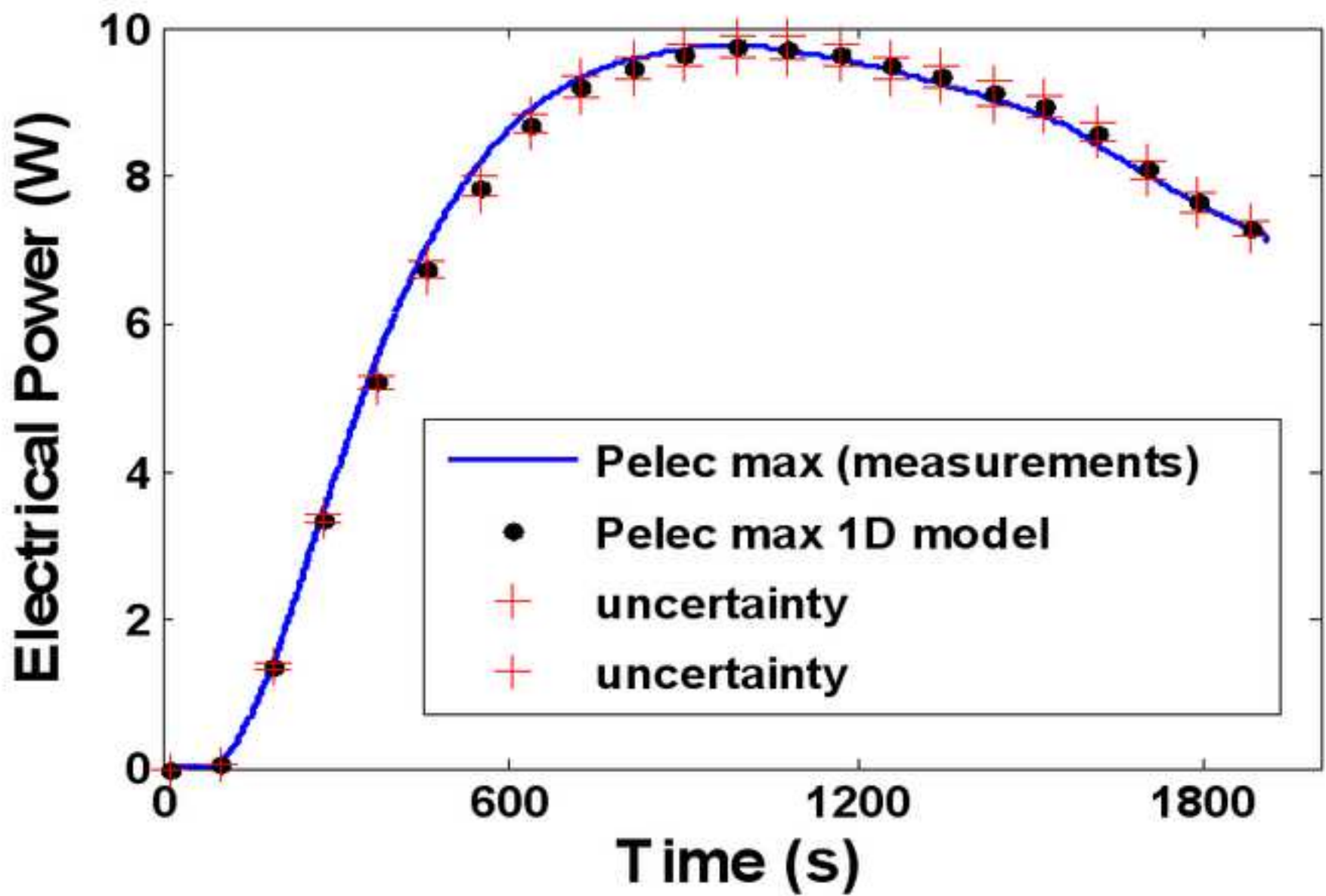


Table 1

Authors	Heat sink (cold side)	Power per module
Nuwayhid et al. 2003 [11]	Natural air cooling	1 W
Nuwayhid et al. 2005 [12]	Natural air cooling	4.2 W
Nuwayhid and Hamade 2005 [13]	Heat pipes cooling	3.4 W
Lertsatitthanakorn 2007 [14]	Natural air cooling	2.4 W
Mastbergen and Wilson 2007 [7]	Forced air cooling (1W)	4 W regulated
"BioLite" 2009 [16]	Forced air cooling (1W)	1-2 W
Champier et al. "TEGBioS" 2009 [17]	Water cooling	5 W
Rinalde et al. 2010 [9]	Forced water cooling	10 W *
* part of this power should be used to power the pump		

Table 2

Components	Single unit cost	100 samples	High volume cost 10 000 samples
Electronic part	31€	15€	13€
Thermal part (aluminium exchangers)	31 €	22€	12€
TE module	67€	35€	15€
8W TE generator	129€	72€	40€
	16€ per watt	9€ per watt	5€ per watt