



HAL
open science

Process of Mapping between User Centric Concepts and Lye Internal Concepts

Selmin Nurcan, Mohamed Ben Ayed, Colette Rolland

► **To cite this version:**

Selmin Nurcan, Mohamed Ben Ayed, Colette Rolland. Process of Mapping between User Centric Concepts and Lye Internal Concepts. International Workshop on New Trends on Software Methodologies, Tools and Techniques (SoMET), Sep 2003, Stockholm, Sweden. pp.1-17. hal-00708888

HAL Id: hal-00708888

<https://hal.science/hal-00708888>

Submitted on 16 Jun 2012

HAL is a multi-disciplinary open access archive for the deposit and dissemination of scientific research documents, whether they are published or not. The documents may come from teaching and research institutions in France or abroad, or from public or private research centers.

L'archive ouverte pluridisciplinaire **HAL**, est destinée au dépôt et à la diffusion de documents scientifiques de niveau recherche, publiés ou non, émanant des établissements d'enseignement et de recherche français ou étrangers, des laboratoires publics ou privés.

Process of Mapping between User Centric Concepts and Lyee Internal Concepts

Selmin NURCAN^{*+}, Mohamed BEN AYED^{*}, Colette ROLLAND^{*}

^(*) *Université Paris 1 - Panthéon - Sorbonne, CRI, 90, rue de Tolbiac 75634 Paris cedex 13 France*

⁽⁺⁾ *IAE de Paris (Business Administration Institute), 21, rue Broca 75005 Paris France*

Abstract. The overall objective of the research activity of the UP1 unit is to apply a *method engineering* approach to the Lyee methodology. This paper presents a formalization of the Lyee Process Model using the concept of Map. It develops also two methodological guidelines supporting (i) the mapping of the Lyee user-centric requirements, which have been previously specified using Design Patterns, into Lyee software requirements and (ii) the optimization of the latter. The motivation is the search for efficiency and effectiveness in the formulation of requirements in accordance with the two levels Lyee Product Meta-Model. The pay-off will be a more productive process of requirements formulation and a better quality result.

1. Introduction

LyeeALL is a CASE environment which aims at transforming software requirements into code. These requirements are expressed in rather low-level terms such as screen layouts and database accesses. Moreover they are influenced by the LyeeALL internals such as the Lyee identification policy of program variables, the generated program structure and the Lyee program execution control mechanism. As a consequence, it is difficult to get the Lyee customer away from the burden of Lyee internals instead of focusing his/her attention on the requirements. The Sorbonne group develops research towards meeting this need. The overall objective of the research activity of the UP1 unit is to apply a *method engineering* approach to the Lyee methodology. As a first step, the group is aiming at (1) defining a user-centric requirements model; (2) developing methodological rules to support the capture of these requirements in a systematic way; (3) generating the Lyee software requirements from these user requirements. In a second step, the objective is to provide an intelligent software support for the elicitation of user centric requirements and the automated generation of the Lyee software requirements.

Any method is defined as composed of a *product model* and a *process model* [Prakash 99]. The product model defines the set of concepts, their properties and relationships that are needed to express the outcome of the process. The process model comprises the set of goals, activities and guidelines to support goal achievement and action execution. Our research approach is driven by these two elements, the *Lyee product and process models*.

- *The Lyee requirements product model*

We used a meta modelling approach to model (i) the set of concepts underlying the Lyee software requirements and (ii) to abstract from them the user-centric requirements model. The result of this effort is a 2-layer meta model. The upper layer corresponds to the user-centric requirements model whereas the lower layer identifies the set of concepts required to express software requirements in Lyee terms. We refer to those as *Lyee user requirements meta-model* and *Lyee software requirements meta-model* respectively. These two meta-models constitute the *Lyee product model* that we propose in the Lyee project.

- *The Lye requirements process model*

As far as we are concerned with the Lye process model, our aim is threefold:

- (1) to systematise the capture of *user-centric requirements* and their formulation in terms which comply with the upper layer of the meta-model thanks to the *design patterns*,
- (2) to define *rules for mapping* to transform the set of Lye requirements expressed with the concepts of the upper layer of the meta-model into a set of equivalent requirements expressed in terms of the lower layer of the meta-model,
- (3) to implement software tools to support the capture and formulation of these requirements, being *Lye user requirements* and *Lye software requirements*.

This paper is organized as follows. Section 2 defines Lye Requirements Process Model. In order to formalize this Process Model, we use the MAP formalism which helps identifying the key process intentions and the possible strategies to achieve them. Section 3 develops one of the two alternative methodological guidelines to perform the mapping between the concepts of the *Lye user requirements meta-model* and the ones of the *Lye software requirements meta-model*. Section 4 presents the methodological guideline supporting the optimization of a given Process Route Diagram (PRD). Some idea of future work is given in the conclusion.

2. The Lye Requirements Process Model

This section describes the *Lye Requirements Process Model* using the MAP formalism. We first recall the Lye Requirements Product Model and than present the *Lye Map*.

2.1. Lye Requirements Product Model

As presented in [Rolland 02a], [Rolland 02b], [Rolland 02c] and [Souveyet 02], the result of the conception effort for the Lye product model is the two layers meta-model shown in Figure 1. This shows the Product Meta-Model¹ and highlights the separation between the *Lye user requirements concepts* and the *Lye software requirements concepts*.

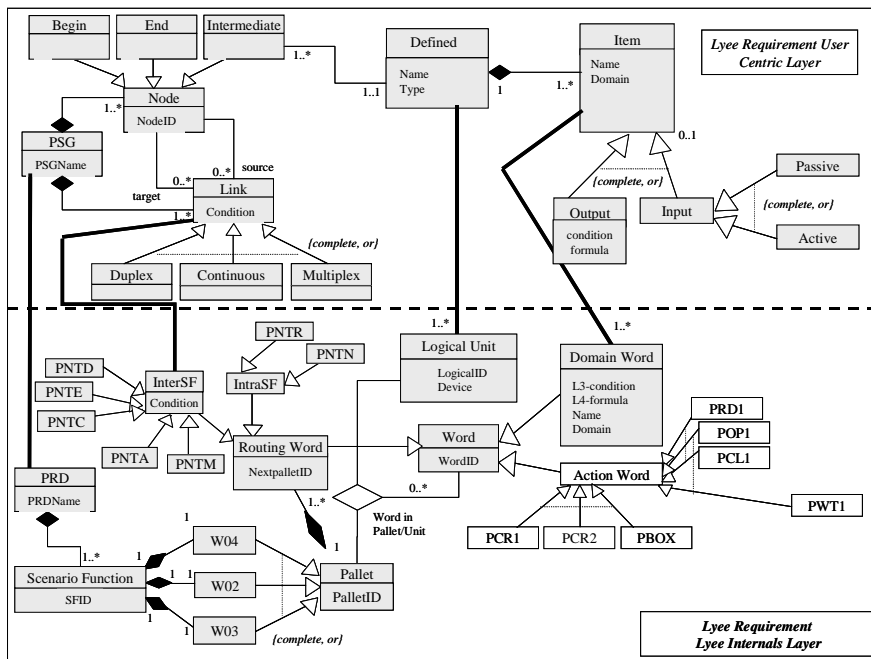


Figure 1: The Lye Product Meta-Model

¹ The term meta-model is used in the report in the same sense as the term meta schema.

2.2. The Lyee Map

The Lyee Requirements Process Model is formalized as a *Process Map* with the key process intentions and the possible strategies to achieve them, and the associated guidelines. This section is organized as follows: Section 2.2.1 introduces the Process Meta-Model which allows us to specify the Lyee process model as a *map*. Section 2.2.2 describes broadly the Lyee process model, i.e. the *Lyee Map*. Section 2.2.3 introduces guidelines associated to the Lyee Map.

2.2.1. The Process Meta-Model

A map [Rolland 99], [Rolland 00], [Benjamin 99] is a process model in which a non-deterministic ordering of intentions and strategies has been included. It is a labeled directed graph with intentions as nodes and strategies as edges between intentions. As shown in Figure 2², a map consists of a number of *sections* each of which is a triplet $\langle \text{source intention } I_i, \text{target intention } I_j, \text{strategy } S_{ij}^4 \rangle$. There are two distinct intentions called *Start* and *Stop* respectively that represent the intentions to start navigating in the map and to stop doing so. Thus, it can be seen that there are a number of paths in the graph from *Start* to *Stop*. The map is a navigational structure that supports the dynamic selection of the intention to be achieved next and the appropriate strategy to achieve it whereas the associated guidelines help in the achievement of the selected intention.

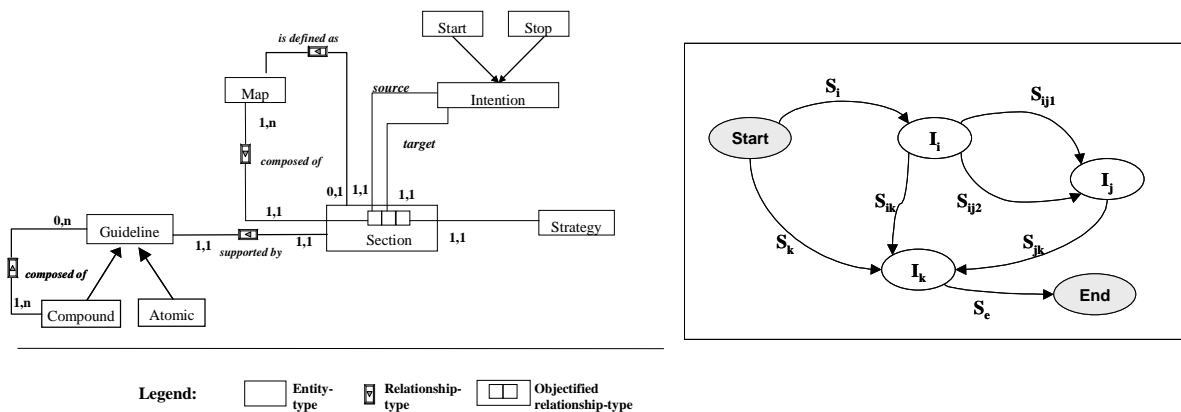


Figure 2: The map meta-model

A *strategy* is an approach, a manner to achieve an intention. The strategy, as part of the triplet $\langle I_i, I_j, S_{ij} \rangle$ characterizes the flow from I_i to I_j and the way I_j can be achieved. The specific manner in which an intention can be achieved is captured in a section of the map whereas the various sections having the same intention I_i as a source and I_j as target show the different strategies that can be adopted for achieving I_j when coming from I_i . Similarly, there can be different sections having I_i as source and I_j, I_k, \dots, I_n as targets. These show the different intentions that can be achieved after the achievement of I_i .

There might be several flows from I_i to I_j , each corresponding to a specific strategy. In this sense the map offers *multi-thread flows*. There might also be several strategies from different intentions to reach an intention I_i . In this sense the map offers *multi-flow paths* to achieve an intention. The map contains a finite number of paths, each of them prescribing a way to develop the product (a Lyee program), i.e. each of them is a Lyee process model.

² We use an E/R like notation. A box represents an Entity Type (ET), the labeled link represents a Relationship Type (RT) and the embedded box refers to an objectified RT.

³ Intention are in italics (I_i, I_j)

⁴ Strategies are in "arial narrow" (S_{ij})

Therefore the map is a *multi-model*. The approach suggests a dynamic construction of the actual path by navigating in the map. Because the next intention and strategy to achieve it are selected dynamically, *guidelines* that make available all choices open to handle a given situation are of great importance. The *Lye Map* has such associated guidelines. A *guideline* is a set of indications on how to proceed to achieve an intention. A guideline embodies *method knowledge* to guide the Lye engineer in achieving an intention in a given situation. The execution of each map section is *supported by* a guideline which can be atomic or compound. Some sections in a map can be *defined as* maps in a lower level of abstraction.

2.2.2. The Lye process model or the Lye Map

This section describes the Lye process model by instantiating the concepts of the process meta-model presented in section 2.2.1. Figure 3 shows the Lye process model, i.e. the *Lye Map*. As shown in this figure, there are three key intentions in the Lye process model, namely *Capture Lye User Requirements*, *Specify Lye software requirements* and *Generate Lye program*. We refer to them as ‘Process Intentions’. *Capture Lye User Requirements* refers to all activities required to instantiate the upper level of the Product Model for a given application whereas *Specify Lye software requirements* refers to all those activities that are needed to map the concepts of the upper level of the Product Model into the concepts of the lower layer. Eight strategies are used in the Lye Process Model.

A Lye program can be generated following different paths in the *Lye Map*, in other words, using several methodological approaches. For instance, the Lye engineer can first follow the section <Start, Specify Lye Software Requirements, From scratch strategy>, and then <Specify Lye Software Requirements, Generate Lye program, LyeAll generation strategy>. The path including these two sections was documented in [Nurcan 02]. In this paper, we focus on the two map sections drawn in bold in Figure 3.

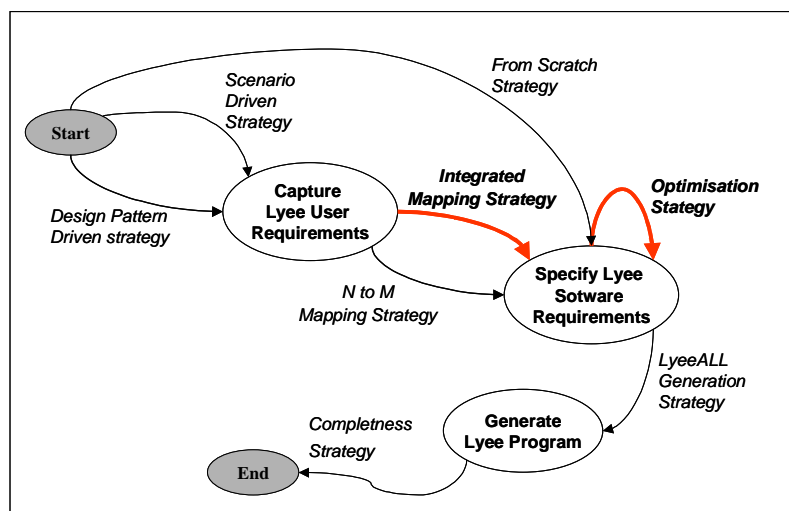


Figure 3: The Lye process model : the *Lye Map*

2.2.3. The guidelines associated to the Lye Map

The guideline corresponding to the map section <Start, Capture Lye User Requirements, Design pattern driven strategy> was reported in [Rolland 02b], [Rolland 02d] and [BenAyed 03]. The two map sections <Capture Lye User Requirements, Specify Lye Software Requirements, Integrated mapping strategy> and <Capture Lye User Requirements, Specify Lye Software Requirements, N to M Mapping Strategy> describe

two alternative ways to transform a PSG (concept of the upper layer of the Lyee Product Model) into a PRD (concept of the lower layer of the Lyee Product Model).

The execution of the map section <Capture Lyee User Requirements, Specify Lyee Software Requirements, Integrated mapping strategy> transforms each Node (related to a Defined) in a given PSG into a Scenario Function in the corresponding PRD. The guideline associated to this map section will be described and illustrated in §3.

The execution of the map section <Capture Lyee User Requirements, Specify Lyee Software Requirements, N to M Mapping Strategy> transforms N Nodes (with their related Defineds) in a given PSG into M Scenario Functions in the corresponding PRD. The methodological knowledge supporting this map section was formally defined and illustrated in [BenAyed 03].

The execution of the map section <Specify Lyee Software Requirements, Specify Lyee Software Requirements, Optimisation strategy> aims to perform a set of optimization operations on the Lyee Software Requirements which are described by instantiation of the concepts of the Lyee Product Model's lower layer. The guideline associated to this map section will be described and illustrated in §4.

3. The guideline supporting the map section <Capture Lyee User Requirements, Specify Lyee Software Requirements, Integrated Mapping strategy>

The aim of this section is to present the guideline associated to the map section <Capture Lyee User Requirements, Specify Lyee Software Requirements, Integrated Mapping Strategy> (see Figure 3), and the set of underlying mapping rules useful to establish the correspondence between the concepts of the two layers in the Lyee Product Meta-Model. Each mapping rule exploits the structural relationships between some concepts of the upper layer of the Product Meta-Model and some others in the lower layer (Figure 1). The guideline supporting the Map section <Capture Lyee User Requirements, Specify Lyee Software Requirements, Integrated Mapping Strategy> executes successively the following mapping rules for a given PSG in order to produce a PRD:

- Apply the mapping rule R0 to transform the PSG into a PRD,
- For each intermediate Node of the PSG: Apply the mapping rule R1_{S11} to transform the Node into a Scenario Function in the corresponding PRD,
- For each Defined of the PSG: Apply the mapping rule R2_{S11} to transform the Defined into one or several Logical Units in the Scenario Function; and to transform the items of the Defined into Domain Words shared by the Logical Units,
- Apply the mapping rule R3_{S11} to transform links between Nodes into InterSF Routing Words,
- Apply the mapping rule R4 to add informations specific to the Lyee internal layer.

3.1. The Mapping Rule R0: Mapping a PSG into a PRD

In the Lyee process, each PSG is mapped into a PRD whatever the mapping strategy used. The mapping rule R0 performs the following actions: (i) Create a PRD corresponding to the PSG in hand and (ii) Define the PRD's name.

3.2. The Mapping Rule R1_{S11} : Mapping a Node into a Scenario Function

The strategy of the Lyee Map presented in Section 3 is called *Integrated Mapping* because each Node in a given PSG is mapped into a Scenario Function. In other words, Integrated Mapping means "One to One mapping" for all Nodes. Figure 4 illustrates

graphically the ‘One to One Mapping’ strategy applied to two Nodes related to Defineds of type ‘screen’.

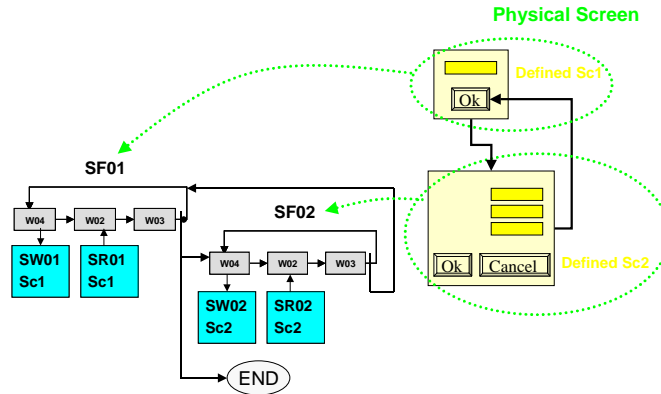


Figure 4: The illustration of the ‘One to One Mapping’ strategy

In order to illustrate the *Integrated Mapping Strategy*, we use the ‘Split a Goal’ example. *Split a Goal* is a functionality which, given a goal statement such as ‘Withdraw cash from an ATM’, automatically decomposes it into a *verb* and its *parameters*. For example, *Withdraw* is the *verb*, *cash* is the *target* parameter of the verb and *from an ATM* is the *means* parameter. For this example, we will consider only the two parameters exemplified above, *target* and *means*.

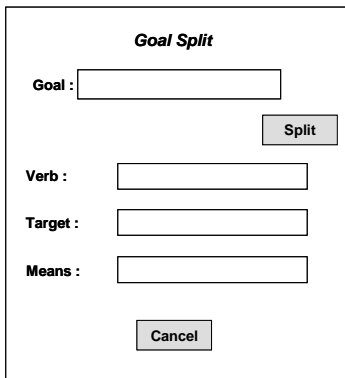


Figure 5: The user screen for the ‘Split a Goal’ example

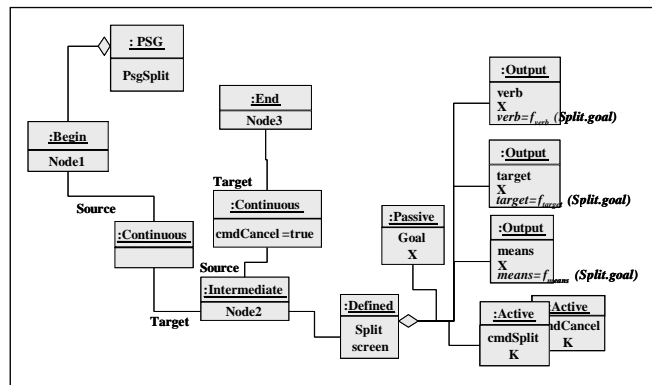


Figure 6: Formulation of the user centric requirements for the ‘Split a goal’ example

Figure 5 shows the user screen designed for the ‘Split a Goal’ example. The *Split* button triggers the decomposition of the goal statement provided by the user in the *Goal* widget and the display of the result of this decomposition in the widgets *verb*, *target* and *means*. The *Cancel* button allows the user to stop the process at any moment.

Figure 6 presents the instance of the concepts in the upper layer of the Product Meta-Model created during the formulation of the user centric requirements for the given example. This instance is drawn using the UML object diagram notations. It shows that there is one PSG ‘PsgSplit’ which is composed of one *Defined* of type screen, namely ‘Split’, gathering the input and output *items* of the interaction. The ‘Split’ *Defined* comprises active items (*cmdSplit* and *cmdCancel*), output items (*verb*, *target*, *means*) and a passive item (*Goal*). Each *output item* in the *Defined* ‘Split’ is associated with a *formula* that is its calculation rule.

Mapping rule $R1_{S11}$ ⁵: An intermediate node in the upper layer is transformed into a Scenario Function in the lower layer.

The mapping rule $R1_{S11}$ performs the following actions for a given node in the PSG:

1. Create one SF for the intermediate node of the PSG; define SFID (concatenation of the string 'SF' and a sequential number),
2. Link the SF to the PRD (the one which has been created by the execution of the mapping rule)
3. Create the three pallets W04, W02 and W03,
4. Link the three pallets to the SF (Pallet belongs to SF)
5. For each pallet, define the PalletID (concatenation of SFID and the pallet name)

Example : The PSG '*PsgSplit*' was previously transformed into the PRD '*PrdSplit*' by the application of the mapping rule R0. The intermediate node '*Node2*' is transformed into the Scenario Function '*SF01*' linked to the PRD '*PrdSplit*'. The three pallets '*SF01W04*', '*SF01W02*' and '*SF01W03*' are created and linked to '*SF01*', their PalletID are specified.

3.3. The Mapping Rule $R2_{S11}$: Mapping a Defined into Logical Unit(s)

Mapping rule $R2_{S11}$: A Defined is transformed into one or several Logical Units in the Scenario Function created by the application of the mapping rule $R1_{S11}$. The items of the Defined become Domain Words shared by the Logical Units.

A Defined is mapped into one or several Logical Units according to the Defined type. An Item is mapped into one or several Domain Words. These Words can belong to Logical Units in the same or in different Scenario Functions.

Let us consider an instance of PSG called PSG_i ⁶. The intermediate node of PSG_i (corresponding to the Defined in hand) has already been transformed into an instance of Scenario Function by the application of $R1_{S11}$. Let us call *Defined_j* the Defined in hand. The Scenario Function corresponding to the intermediate node of PSG_j related to *Defined_j* is called *SF_j*. The mapping rule $R2_{S11}$ performs the following actions:

- If the type of *Defined_j* is 'Screen' :
 1. Create two logical units *SR_j* and *SW_j*
 2. Specify the LogicalID and the Device (Defined name) of *SR_j* and *SW_j*
 3. For each *input item* in *Defined_j* : (i) Create one instance of *domain word*, we call it *word_k* (ii) Specify the name (*item name*) and the domain (*item domain*) of *word_k* (iii) Associate the domain word *word_k* to the pallet W02 of the *SF_j* and to the *SR_j* logical unit using a ternary relationship
 4. For each *output item* in *Defined_j* : (i) Create one instance of *domain word*, we call it *word_m* (ii) Specify the name (*item name*), the domain (*item domain*), the L4-formula (output item formula), and the L3-condition (*item L3- condition*), (iii) Associate the domain word *word_m* to the pallet W04 of the *SF_j* and to the *SW_j* logical unit using a ternary relationship, (iv) Associate *word_m* to the pallet W03 of the *SF_j* and the to *SW_j* logical unit using a ternary relationship.
- If the type of *Defined_j* is 'Database' :

⁵ This notation expresses that $R1_{S11}$ is the first rule corresponding to the 'Integrated mapping' strategy. In fact, the mapping rule R0 and R4 are also used when the 'N to M mapping' strategy is applied.

⁶ The sub-index letter is used to indicate an instance of a concept, for example *Defined_j* is an instance of concept Defined.

1. If there are input items in Defined_j :
 - Create one logical unit FR_j
 - Specify LogicalID and Device (Defined name) of FR_j
 - For each *input item* in Defined_j : (i) Create a *domain word*, we call it word_k , (ii) Specify the name (*item name*) and the domain (*item domain*), (iii) Associate word_k to the pallet W02 of the SF_j and the FR_j logical unit using a ternary relationship
2. If there are *output items* in Defined_j :
 - Create one logical unit FW_j
 - Specify LogicalID and Device (Defined name) of FW_j
 - For each *output item* in Defined_j : (i) Create a *domain word*, we call it word_m , (ii) Specify the name (*item name*), the domain (*item domain*), the L4-formula (*output item formula*), and the L3-condition (*item L3- condition*), (iii) Associate word_m to the pallet W04 of the SF_j and to the FW_j logical unit, (iv) Associate word_m to the pallet W03 of the SF_j and to the FW_j logical unit.

Example : Figure 7 shows the instances of the concepts of the Lyeec internal layer of the Product Meta-Model created by the application of the mapping rule R2_{S11} to the ‘Split a Goal’ example. The PSG ‘PsgSplit’ contains a single Defined ‘Split’ as shown in Figure 6. The Defined ‘Split’ will be transformed into one or several Logical Units by the application of R2_{S11}. The SF ‘SF01’ and the three pallets ‘SF01W02’, ‘SF01W03’ and ‘SF01W04’ were created by the transformation of the ‘Node2’ by applying R1_{S11}.

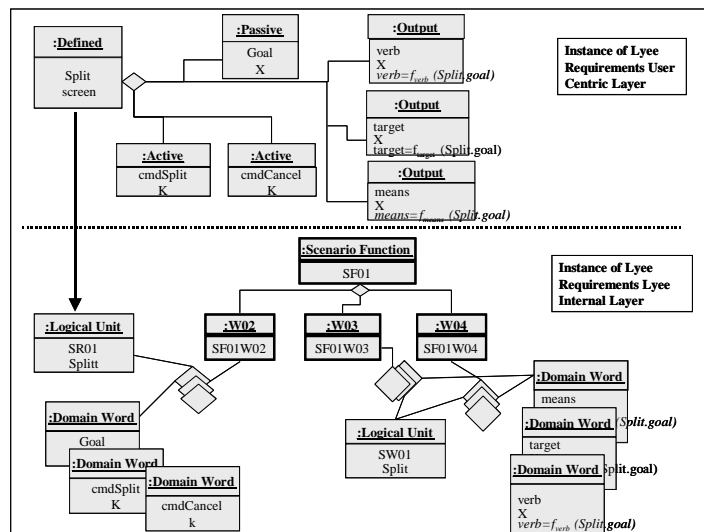


Figure 7 :The product resulting of the application of the mapping rule R2_{S11} to the ‘Split a Goal’ Example

3.4. The Mapping Rule R3_{S11} : transforming Links between Nodes into InterSF Routing Words

Links between PSG Nodes are of three different types: *Continuous*, *Duplex* and *Multiplex*.

Mapping rule R3_{S11} : *Continuous, Multiplex or Duplex links between two Nodes are transformed into InterSF Routing Words.*

All links in the PSG becomes InterSF routing words in the corresponding PRD. The *Multiplex link* in the upper layer of the meta-model matches up with the PNTM routing

word in the lower layer. The *Duplex link* in the upper layer of the meta-model matches up with the PNTD routing word in the lower layer. The *Continuous link* in the upper layer of the meta-model matches up with the PNTC, PNTA and PNTE routing words in the lower layer according to the situation.

Let us consider SF_i and SF_j , two Scenario Functions obtained by the transformation of two nodes N_i and N_j when the rule $R1_{S11}$ has been performed. Let us consider also that N_i and N_j are respectively the source and the target nodes for a link L_{ij} . We distinguish five situations depending of the types of the link, of the source and target nodes in the PSG. According to the situation, the mapping rule $R3_{S11}$ performs the following actions:

Situation 1: If the link L_{ij} is of type Continuous and the target node is 'End':

- Create a PNTE_i routing word, specify the WordID
- Specify NextPalletID of PNTE_i (NextPalletID = End)
- Link PNTE_i to the W03 pallet of SF_i (corresponding to the source node)

Situation 2: If the link L_{ij} is of type Continuous and the target node is related to a Defined of type database:

- Create a PNTA_i routing word, specify the WordID
- Specify NextPalletID of PNTA_i (NextPalletID = Pallet W04 of SF_j corresponding to the target node)
- Link PNTA_i to the W03 pallet of SF_i (corresponding to the source node)

Situation 3: If the link L_{ij} is of type Continuous and the target node is related to a Defined of type screen :

- Create a PNTC_i routing word, specify the WordID
- Specify NextPalletID of PNTC_i (NextPalletID = Pallet W04 of SF_j corresponding to the target node)
- Link PNTC_i to the W03 pallet of SF_i (corresponding to the source node)

Situation 4: If the link L_{ij} is of type Multiplex :

- Create a PNTM_i routing word, specify the WordID
- Specify NextPalletID of PNTM_i (NextPalletID = Pallet W04 of SF_j corresponding to the target node)
- Link PNTM_i to the W03 pallet of SF_i (corresponding to the source node)

Situation 5: If the link L_{ij} is of type Duplex :

- Create a PNTD_i routing word, specify the WordID
- Specify NextPalletID of PNTD_i (NextPalletID = Pallet W03 of SF_j corresponding to the target node)
- Link PNTD_i to the W03 pallet of SF_i (corresponding to the source node)

Example: The user centric requirements shown in Figure 6 includes two Continuous links. The first Continuous link has 'Begin' as source node; this concept has not an equivalent in the lower layer, in fact the immediate start point of 'PrdSplit' is the pallet W04 of the Scenario Function SF01. The second continuous link has intermediate node 'Node2' as source and 'End' as target. SF_i corresponds to 'SF01' according to $R3_{S11}$. We are in the first situation identified in this rule. Then we create a PNTE routing word and we link it to the W03 pallet of SF01.

3.5. The Mapping Rule R4 : Adding information specific to the Lyee internal layer

Some concepts of the lower layer of the meta model have no direct correspondence with the upper layer. These concepts are related to the Lyee knowledge and are necessary to

execute the Tense Control Function [Negoro01a], [Negoro01b], [BenAyed02], [Nurcan02]. Thus, the mapping rule supports the specifications of additional information specific to the Lyee Requirements of the Lyee Internal Layer.

Mapping rule R4: Add additional information specific to the Lyee Requirements of the Lyee Internal Layer

The elements of the Lyee Internal Layer involved in this rule are IntraSF Routing Words (PNTR, PNTN) and Action Words (PCR1, PCR2, PBOX, PWT1, PCL1, POP1, PRD1). The rule R4 performs the following actions (see [BenAyed 03] for more details):

1. Add one PNTR routing word to the W03 pallet of each Scenario Function SF_i in the PRD (the PRD was obtained by the transformation of the PSG in hand by the application of the mapping rule R0)
2. Add one PNTN routing word to the W04 pallet of each SF_i in the PRD
3. Add one PNTN routing word to the W02 pallet of each SF_i in the PRD
4. Add one or several *Input Vectors* to each Scenario Function SF_i in the PRD
5. Add one or several *Output Vectors* to each Scenario Function SF_i in the PRD
6. For each output Logical Unit LU_i of the PRD (created by the transformation of the PSG in hand by applying the rule R0), add *Structural Vectors*

Figure 8 shows the instances of the concepts of the Lyee internal layer of the Product Meta-Model created by the application of the mapping rules R3_{S11} and R4 to the ‘Split a Goal’ example.

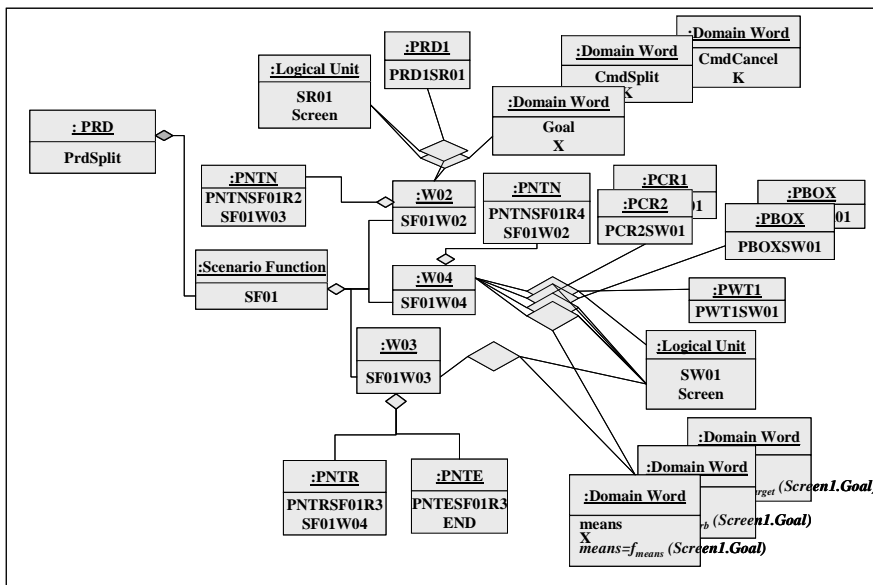


Figure 8 : The product resulting of the application of the mapping rules R3_{S11} and R4 to the ‘Split a Goal’ Example

4. The guideline supporting the map section < Specify Lyee Software Requirements, Specify Lyee Software Requirements, Optimization strategy>

This section presents the guideline associated to the map section <Specify Lyee Software Requirements, Specify Lyee Software Requirements, Optimization strategy> (see Figure 3). The optimization of a PRD consists in transforming (merging) successively two or several Scenario Functions into single ones. Two merge tactics are proposed, respectively ‘Father-Child Merge’ and ‘Brotherhood Merge’. For a given PRD, these two tactics can be used in an intertwined manner.

4.1. The Father-Child merge tactics

The ‘Father-Child merge’ term means that two Scenario Functions SF_i and SF_j related with a Continuous link are merged into a single Scenario Function. In addition, let us specify that the Scenario Function SF_i is not the source of a backward link (multiplex or duplex). In this case, SF_i is called the Father Scenario Function and SF_j is called the Child Scenario Function. This tactics is applicable:

(i) in the situations where the external environment or the user requirements impose one physical screen to the Human Computer Interface; in this case the father and child Scenario Functions are related to Defineds of type ‘screen’;

(ii) in the situations where optimization considerations require a set of clustered database accesses and where database distribution considerations allow that; in this case the father and child Scenario Functions are related to Defineds of type ‘database’.

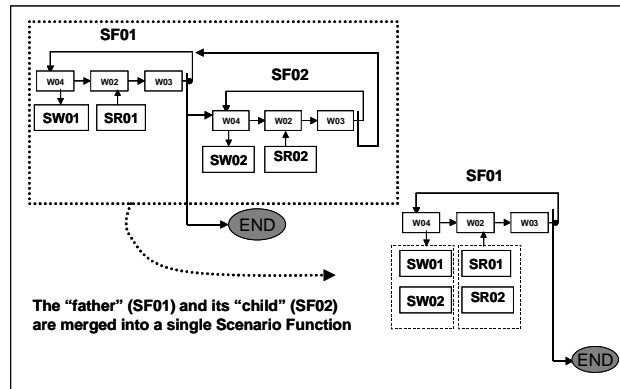


Figure 9: The father-child merge

The tactics can be applied successively several times to perform the merging between several Scenario Functions which are in sequence in the PRD. Figure 9 presents two PRDs, respectively before and after the optimization strategy being applied using the ‘Father-Child merge’ tactics. This figure presents the two PRDs and the related SFs using the Lye community notations. The ‘father’ Scenario Function ‘ $SF01$ ’ and the ‘child’ Scenario Function ‘ $SF02$ ’ are merged in a single Scenario Function called ‘ $SF01$ ’.

4.1.1 Example of Father-Child merge

In order to illustrate this optimization rule, we make use of a variant of the ‘Split a Goal’ example.

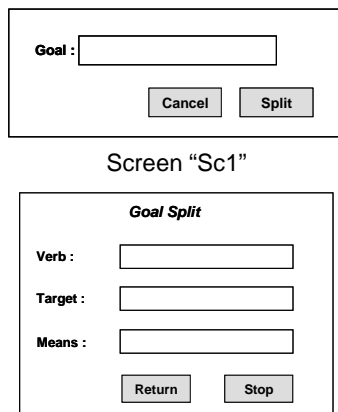


Figure 10: The user screens for the ‘Split a goal’ example

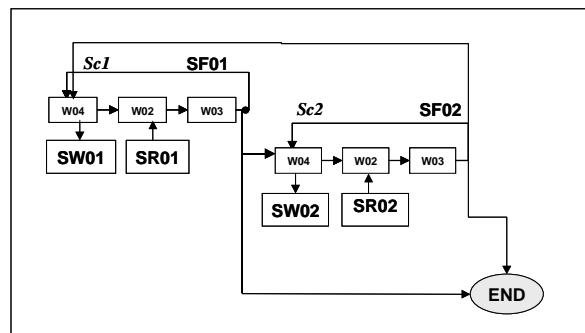


Figure 11 : The PRD of ‘Split a Goal’ example

The PRD corresponding to the ‘Split a Goal’ example is shown in Figure 11.

Let us suppose that, thanks to the Design Patterns, the user interactions have been initially designed as requiring two Defineds of type screens. Figure 10 shows the two screens of the adopted variant of the ‘*Split a Goal*’ example: the *Split* button triggers the decomposition of the goal statement provided by the user in the Goal widget and its display in the widgets *verb*, *target* and *means*. The *Cancel* button allows the user to stop the process at any moment. The *Split* button triggers the decomposition of the Goal. The *Stop* button ends the interaction with the user.

Let us now assume that user requirements impose the use of a single physical screen to support the ‘*Split a goal*’ example. Consequently, screens ‘Sc1’ and ‘Sc2’ should be merged in the single screen ‘*Split*’. Figure 12 shows this screen. The application of the father-child optimization rule will produce the PRD shown in Figure 13.

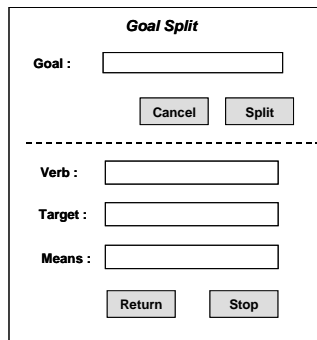


Figure 12 : The user screen for the ‘*Split a goal*’ example

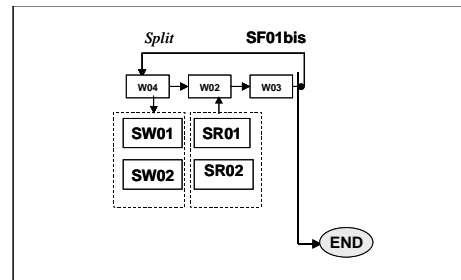


Figure 13 : The ‘*Optimized PRD*’ for the ‘*Split a Goal*’ example

4.1.2. Optimization rule for the ‘*Father-child merge*’ tactics

This rule performs the following set of actions for a given couple of Scenario Functions (SF_f , SF_c) identified as candidate to the father-child merge in the given PRD_i . We consider SF_f as ‘*Father*’ Scenario Function and SF_c as ‘*Child*’ Scenario Function. SF_k is the Scenario Function produced by the application of the optimization rule.

1. Create one Scenario Function SF_k , define $SFID$
2. Link SF_k to the PRD_i .
3. Create the three Pallets W04, W02 and W03
4. Link the three pallets to SF_k
5. For each pallet, define the PalletID
6. Copy InterSF routing words related to the pallets W03 of SF_f and SF_c to the pallet W03 of SF_k . The InterSF routing word corresponding to the continuous, multiplex or duplex link between SF_f and SF_c should be deleted.
7. Each InterSF routing word in the PRD having SF_f or SF_c as target should be modified :
 - if routing word type is PNTC, PNTA or PNTM then NextPalletID = Pallet W04 of SF_k
 - if routing word type is PNTD then NextPalletID = Pallet W03 of SF_k
8. Logical units and words related to the Scenario Functions SF_f and SF_c are linked to the corresponding pallets of the Scenario Function SF_k .
 - Copy and link input logical units and the related words to the W02 pallet of the Scenario Function SF_k using a ternary relationship
 - Copy and link output logical units and the related words to the W04 and the W03 pallets of the Scenario Function SF_k using a ternary relationship.
9. Add additional information specific to the Lyee internal layer⁷

⁷ See [BenAyed 03] for more details.

- a) Add one PNTR routing word to the W03 pallet of the Scenario Function SF_k , specify NextpalletID as Pallet W04 of SF_k
- b) Add one PNTN routing word to the W04 pallet of SF_k , specify NextpalletID as Pallet W02 of SF_k
- c) Add one PNTN routing word to the W02 pallet of SF_k , specify NextpalletID as Pallet W03 of SF_k
- d) Add *Input Vectors* to the Scenario Function SF_k
- e) Add *Output Vectors* to the Scenario Function SF_k
- f) For each output Logical Unit LU_i related to SF_k add *Structural Vectors*

10. Delete the Scenario Functions SF_F and SF_C and their related logical units and words.

The application of this rule for the PRD of the ‘*Split a goal*’ example shown in Figure 11 produces the PRD shown in Figure 13. The Scenario Functions $SF01$ and $SF02$ are merged into a single Scenario Function ‘*SF01bis*’. The input logical units ‘*SR01*’ and ‘*SR02*’ are added to W02 pallet of ‘*SF01bis*’. The output logical units ‘*SW01*’ and ‘*SW02*’ are added to W04 pallet of ‘*SF01bis*’.

4.2. The Brotherhood merge tactics

The ‘Brotherhood merge’ means that N scenarios functions having the same source Scenario Function SF_i in N Continuous Links for which they are targets are merged into a single Scenario Function. In addition, let us specify that the source Scenario Function SF_i is not the source of any backward link (multiplex or duplex). This tactics is applicable:

- (i) in the situations where the external environment or the user requirements impose one physical screen to the Human Computer Interface; in this case the brotherhood Scenario Functions are related to Defineds of type ‘screen’;
- (ii) in the situations where optimization considerations require a set of clustered database accesses and where database distribution considerations allows that; in this case brotherhood Scenario Functions are related to Defineds of type ‘database’.

Figure 14 illustrates graphically the ‘brotherhood merge’ tactics. The tactics can be applied successively several times to perform the merging of several set of brotherhood Scenario Functions.

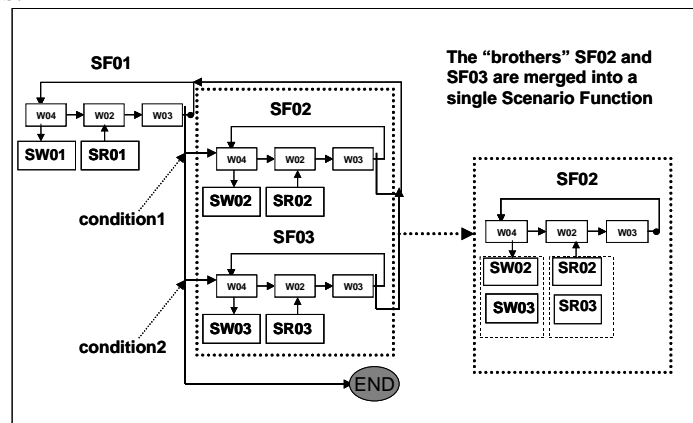


Figure 14 : The brotherhood merge

4.2.1 Example of Brotherhood merge

In order to illustrate the optimization rule we defined for the ‘Brotherhood merge’ tactics, we use the ‘*Room booking*’ example. Room Booking is a functionality of a traveller support system which helps the users of the system to make hotel room reservations for the

customers according to their specific needs. The database includes information about customers and rooms offered for booking. The system shall let the user state his/her booking requirements in terms of date (beginning and ending dates of the booking period), as well as location of the hotel (name of the city in which the hotel shall be chosen), and category of the hotel (expressed as a number of stars).

Let us suppose that, for implementing the ‘room booking’ functionality, the user interactions have been initially designed as requiring three Defineds of type screens as shown in Figure 15. The user specifies the customer for which the booking is recorded, and the booking requirements for a room (booking dates, location, and desired hotel category). When the *OK* button is pressed, the system checks first if the customer exists. For an unknown customer, the ‘customer error message’ is displayed in an output screen. If the customer exists, the system checks the availability of a room satisfying the customer’s requirements. If there is no available room which meets the customer’s requirement, the ‘Not Available Room’ error message is displayed in a second output screen. The *Cancel* button allows the user to stop the process at any moment. The *Stop* button ends the interaction with the user.



Figure 15: The user screens for the ‘Room booking’ example

The PRD corresponding to the ‘Room booking’ example obtained by the execution of the map section <Capture Lyee User Requirements, Specify Lyee Software Requirements, Integrated Mapping Strategy> is shown in Figure 16.

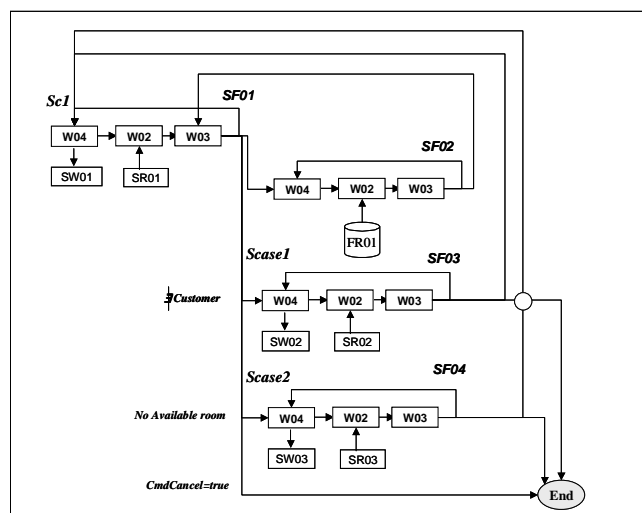


Figure 16 : The PRD of ‘Room booking’ example

Let us now assume that user requirements impose the use of a single physical screen to support the ‘error messages’. Consequently, screens ‘Scase1’ and ‘Scase2’ should be merged in the single screen. Figure 17 shows this screen.

The application of the optimization rule will produce the PRD shown in Figure 18.

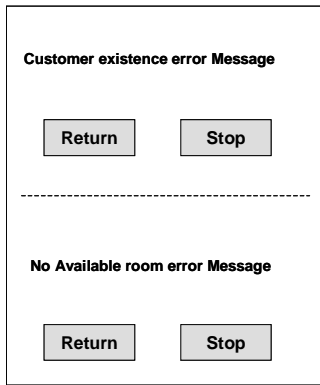


Figure 17 : The user screen
For the two error messages

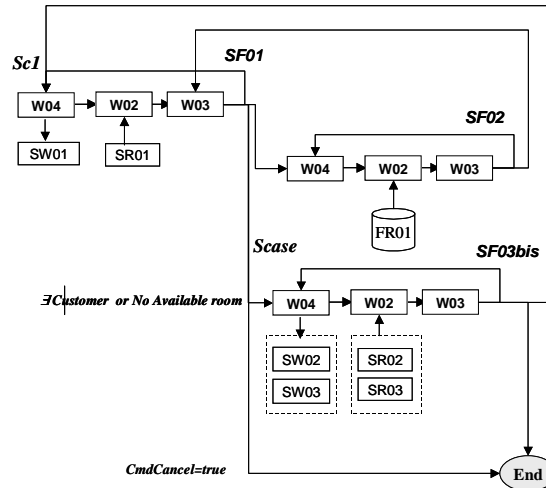


Figure 18 : The 'Optimized PRD' for the 'Room booking'
example

4.2.2. Optimization rule for the 'Brotherhood merge' tactics

This rule performs the following set of actions for a given set of brotherhood Scenario Functions SF_j identified as candidate to the brotherhood merge in the given PRD_i . We consider SF_i as the source Scenario Function in the N Continuous Links for which the brotherhood Scenario Functions SF_j are targets. SF_k is the Scenario Function produced by the application of the rule to the brotherhood Scenario Functions SF_j .

1. Create one Scenario Function SF_k , define $SFID$
2. Link SF_k to the PRD_i .
3. Create three Pallets $W04$, $W02$ and $W03$.
4. Link the three pallets to the SF_k
5. For each pallet, define the PalletID
6. Copy InterSF routing words related to the $W03$ pallet of each SF_j to the $W03$ pallet of SF_k . The InterSF routing word corresponding to the continuous, multiplex or duplex link between SF_f and SF_c should be deleted.
7. Each InterSF routing words in the PRD which have SF_f or SF_c as target should be modified (*same sub-actions than in the Father-Child merge*)
8. Logical units and words related to each Scenario Function SF_j are linked to the corresponding pallets of the Scenario Function SF_k (*same sub-actions than in the Father-Child merge*)
9. Add additional information specific to the Lyee internal layer (*same sub-actions than in the Father-Child merge*)
10. Delete all Scenario Functions SF_j and their related logical units and words.

The application of this rule for the PRD of the 'Room booking' example shown in Figures 15 and 16 produces the PRD shown in Figure 18. The Brotherhood Scenario Functions 'SF03' and 'SF04' are merged into a single Scenario Function 'SF03bis'. The input logical units 'SR02' and 'SR03' are added to $W02$ pallet of 'SF03bis'. The output logical units 'SW02' and 'SW03' are added to $W04$ pallet of 'SF03bis'.

4.3. The guideline associated to the Map section

The guideline associated to the Map section <Specify Lyee Software requirement, Specify Lyee Software requirement, Optimization strategy> implements the following optimization rules:

For each set of Scenario Functions in a PRD describing an *atomic interaction* (see [Rolland02d])

For each set of SFs candidates to a brotherhood merge

List the brotherhood SFs to the user

If requested Apply the ‘Brotherhood Merge’ tactics for these SFs

For each set of SFs candidates to a Father-child merge

List the couple of SFs to the user

If requested Apply the ‘Father-Child Merge’ tactics

5. Conclusion

We presented in this paper a formalization of the Lyee Process Model using the concept of Map. We also developed two methodological guidelines associated to two sections of the Lyee Map, respectively <Capture Lyee User Requirements, Specify Lyee Software Requirements, Integrated Mapping Strategy>, <Specify Lyee Software requirements, Specify Lyee Software requirements, Optimization strategy>.

For a given PSG, the mapping between the concepts of the *Lyee user requirements meta-model* and the *Lyee software requirements meta-model* can be performed in two alternative ways, following one of the two sections of the *Lyee Map*, namely <Capture Lyee User Requirements, Specify Lyee Software Requirements, Integrated Mapping Strategy> and <Capture Lyee User Requirements, Specify Lyee Software Requirements, N to M Mapping Strategy>. The guideline associated to the former allows us to generate automatically a PRD from a PSG. Experimentation with various examples shown that the mapping is possible by following the rules presented in Section 3. The result is however a PRD that could be transformed to support improvements. Furthermore, the second guideline presented in this paper implements the PRD optimization strategy.

Still now, we defined the guidelines which support the execution of the map sections. The Lyee process knowledge should be completed in order to guide the Lyee engineer to choose between two alternative sections from a source intention towards a target intention in the Lyee Map. This type of guideline, describing how other guidelines should be applied is required, for instance, to guide the selection of one of the two strategies, *Integrated Mapping* and *N to M Mapping* during the execution of the Lyee Map.

The future work includes the following tasks: (i) to develop a software support for the elicitation of the user centric Lyee requirements and the automated generation of the Lyee software requirements; (ii) to define the methodological guidelines supporting the navigation in the Lyee Map and to offer an automatic support for their execution.

6. References:

- [Alexander 77] C. Alexander, S. Ishikawa, M. Silverstein, M. Jacobson, I. Fiksdahl-King, S. Angel, ‘*A Pattern Language*’, Oxford University Press, New York, 1977.
- [Benjamin 99] A. Benjamin, “*Une Approche Multi-démarches pour la modélisation des démarches méthodologiques*”, Ph. D thesis, University Paris1.
- [BenAyed 02] M. BenAyed, “*Lyee Program Execution Patterns*”. Proceeding of Lyee-W02: New Trends in Software Methodologies, Tools and Techniques, pp 212-224, Paris, 2002.
- [BenAyed 03] M. Ben Ayed, S. Nurcan, “*Technical Report TR2-1*”, Lyee International Research Project, University Paris1, 2003.
- [Coplien 95] J. Coplien, D. Schmidt (eds.), “*Pattern Languages of Program Design*”, Addison Wesley, Reading, MA, 1995.
- [Gamma 95] E. Gamma, R. Helm, R. Johnson, J. Vlissides, “*Design Patterns : Elements of Reusable Object Oriented Software*”, Addison Wesley, Reading, MA, 1995.

- [Negoro 01a] F. Negoro, “*Methodology to Determine Software in a Deterministic Manner*”, Proceeding of ICII, Beijing, China, 2001.
- [Negoro 01b] F. Negoro, “*A proposal for Requirement Engineering*”, Proceeding of ADBIS, Vilnius, Lithuania, 2001.
- [Nurcan 02] S. Nurcan, M. BenAyed, C. Rolland, “*Scientific Report ScI*”, Lyee International Research Project, University Paris1, 2002.
- [Prakash 99] N. Prakash, “*On Method Statics and Dynamics*”, Information Systems, Vol 24, No 8, pp 613-637, 1999.
- [Rolland 99] C. Rolland, N. Prakash, A. Benjamen, “*A Multi-Model View of Process Modelling*”, Requirements Engineering Journal, Vol 4, No 4, 169-187, 1999.
- [Rolland 00] C. Rolland et al., “*Bridging the Gap Between Organizational Needs and ERP Functionality*”, Requirement Engineering, pp. 180-193, Springer-Verlag London Limited, 2000.
- [Rolland 02a] C. Rolland, M. Ben Ayed, “*Understanding the Lyee Methodology through Meta Modelling*”, Proceeding of EMMSAD, Toronto, 2002.
- [Rolland 02b] C. Rolland, “*A User Centric View of Lyee Requirement*”, Proceedings of Lyee-W02: New Trends in Software Methodologies, Tools and Techniques, pp 155-169, Paris, 2002.
- [Rolland 02c] C. Rolland, C. Souveyet, M. Ben Ayed, “*Users Requirements Elicitation in the Lyee Software Factory*”. Proceeding of SCI, Orlando, 2002.
- [Rolland 02d] C. Rolland, “*Technical Report TR1-2*”, Lyee International Research Project, University Paris1, 2002.
- [Souveyet 02] C. Souveyet, C. Salinesi, “*Generating Lyee Program from User Requirements with a Meta-Model based Methodology*”, Proceedings of Lyee-W02: New Trends in Software Methodologies, Tools and Techniques, Paris, 2002.