



HAL
open science

Frequency-dependent streaming potentials: a review

Laurence Jouniaux, Clarisse Bordes

► **To cite this version:**

Laurence Jouniaux, Clarisse Bordes. Frequency-dependent streaming potentials: a review. International Journal of Geophysics, 2012, 2012 (Special issue on Electrokinetics in Earth Sciences), pp.ID 648781. 10.1155/2012/648781 . hal-00700475

HAL Id: hal-00700475

<https://hal.science/hal-00700475>

Submitted on 25 May 2012

HAL is a multi-disciplinary open access archive for the deposit and dissemination of scientific research documents, whether they are published or not. The documents may come from teaching and research institutions in France or abroad, or from public or private research centers.

L'archive ouverte pluridisciplinaire **HAL**, est destinée au dépôt et à la diffusion de documents scientifiques de niveau recherche, publiés ou non, émanant des établissements d'enseignement et de recherche français ou étrangers, des laboratoires publics ou privés.

Frequency-dependent streaming potentials: a review

L. Jouniaux¹ and C. Bordes²

¹*Institut de Physique du Globe de Strasbourg, UdS-CNRS UMR 7516*

Université de Strasbourg, 5 rue René Descartes, 67084 Strasbourg, FRANCE

²*Laboratoire des fluides complexes et de leurs réservoirs, UPPA-CNRS UMR5150*

Université de Pau et des Pays de l'Adour, Pau, FRANCE

SUMMARY

This paper has been published in: *International J. of Geophysics*, vol 2012, article ID 648781, doi:10.1155/2012/648781

open access at: www.hindawi.com/journals/ijgp/2012/648781

The interpretation of seismoelectric observations involves the dynamic electrokinetic coupling, which is related to the streaming potential coefficient. We describe the different models of the frequency-dependent streaming potential, mainly the Packard's and the Pride's model. We compare the transition frequency separating low-frequency viscous flow and high-frequency inertial flow, for dynamic permeability and dynamic streaming potential. We show that the transition frequency, on a various collection of samples for which both formation factor and permeability are measured, is predicted to depend on the permeability as inversely proportional to the permeability. We review the experimental setups built to be able to perform dynamic measurements. And we present some measurements and calculations of the dynamic streaming potential.

1 INTRODUCTION

Electrokinetics arise from the interaction between the rock matrix and the pore water. Therefore electrokinetic phenomena are often observed in aquifers, volcanoes, and hydrocarbon or hydrothermal reservoirs. Observations show that seismoelectromagnetic signals associated to earthquakes can be induced by electromagnetic induction (Honkura et al. 2009; Matushima et al. 2002) or by electrokinetic effect (Takeuchi et al. 1998; Fenoglio et al. 1995). The electrokinetic phenomena are due to pore pressure gradients leading to fluid flow in the porous media or fractures, and inducing electrical fields. These electrokinetic effects are associated to the electrical double layer which was originally described by Stern. The electrokinetic signals can be induced by global displacements of the reservoir fluids (streaming potential) or by the propagation of seismic waves (seismoelectromagnetic effect). As soon as these pressure gradients have a transient signature, the dynamic part of the electrokinetic coupling has to be taken into account by introducing the dependence on fluid transport properties.

It is generally admitted that two kinds of seismoelectromagnetic effects can be observed. The dominant contribution, commonly called “coseismic”, is generated close to the receivers during the passage of seismic waves. The second kind, so called “interfacial conversion” (Dupuis et al. 2009), is very similar to dipole radiation and is generated at physico-chemical interfaces due to strong electrokinetic coupling discontinuities. This interfacial conversion is often perceived to have the potential to detect fine fluids transitions with higher resolution than seismic investigations, but in practice, signals are often masked by electromagnetic disturbances, especially when generated at great depth.

Nevertheless recent field studies have focused on the seismo-electric conversions linked to electrokinetics in order to investigate oil and gas reservoirs (Thompson et al. 2005) or hydraulic reservoirs (Dupuis & Butler 2006; Dupuis et al. 2007; Dupuis et al. 2009; Strahser et al. 2007; Haines et al. 2007a,b; Strahser et al. 2011; Garambois & Dietrich 2001). It has been shown using these investigations that not only the depth of the reservoir can be deduced, but also the geometry of the reservoir can be imaged using the amplitudes

of the electro-seismic signals (Thompson et al. 2007). Moreover fractured zones can be detected and permeability can be measured using seismo-electrics in borehole (Singer et al. 2005; Pain et al. 2005; Mikhailov et al. 2000; Jouniaux 2011). This method is especially appealing to hydrogeophysics for the detection of subsurface interfaces induced by contrasts in permeability, in porosity, or in electrical properties (salinity and water content) (Schakel et al. 2011; Schakel & Smeulders 2010; Garambois & Dietrich 2002).

The analytical interpretation of the seismoelectromagnetic phenomenon has been described by Pride (1994), by connecting the theory of Biot (1956) for the seismic wave propagation in a two phases medium with Maxwell's equations, using dynamic electrokinetic couplings. The seismoelectromagnetic conversions have been modeled in homogeneous or layered saturated media (Haartsen & Pride 1997; Haartsen et al. 1998; Garambois & Dietrich 2001, 2002; Gao & Hu 2010) with applications to reservoir geophysics (Saunders et al. 2006).

Theoretical developments showed that the electrical field induced by the P -waves propagation is related to the acceleration (Garambois & Dietrich 2001). The electrokinetic coupling is created at the interface between grains and water, when there is a relative motion of electrolyte ions with respect to the mineral surface. Thus, seismic wave propagation in fluid-filled porous media generates conversions from seismic to electromagnetic energy which can be observed at the macroscopic scale, due to this electrokinetic coupling at the pore scale. The seismoelectric coupling is directly dependent on the fluid conductivity, the fluid density and the electric double-layer (the electrical interface between the grains and the water) (see the tutorial by (Jouniaux & Ishido this issue), in this special issue "Electrokinetics in Earth Sciences" for more details). For more details on the surface complexation reactions see Davis et al. (1978) or Guichet et al. (2006). It can be accurately quantified in the broad band by a dynamic coupling (Pride 1994) which can be linked in the low frequency limit to the steady-state streaming potential coefficient largely studied in porous media (Ishido & Mizutani 1981; Pozzi & Jouniaux 1994; Jouniaux & Pozzi 1995a,b, 1997; Jouniaux et al. 1994,

1999, 2000; Guichet et al. 2003, 2006; Jaafar et al. 2009; Jouniaux et al. 2009; Vinogradov et al. 2010; Jackson 2010; Allègre et al. 2010).

Laboratory experiments have also been investigated for a better understanding of the seismoelectric conversions (Migunov & Kokorev 1977; Chandler 1981; Mironov et al. 1994; Jiang et al. 1998; Zhu et al. 1999, 2000; Zhu & Toksöz 2003; Chen & Mu 2005; Bordes et al. 2006; Block & Harris 2006; Zhu et al. 2008; Bordes et al. 2008). These papers describe the laboratory studies performed to investigate this dynamic coupling. An oscillating pore pressure must be applied to a rock sample, and because of the relative motion between the rock and the fluid, an induced streaming potential can be measured. Depending on the oscillating frequency of the fluid, the fluid makes a transition from viscous dominated flow to inertial dominated flow. As the frequency increases, the motion of the fluid within the rock is delayed and larger pressure is needed. In order to know the dynamic coupling, both real and imaginary part of the streaming potential must be measured.

2 FROM DYNAMIC STREAMING POTENTIAL TO SEISMOELECTROMAGNETIC COUPLING

The steady-state streaming potential coefficient is defined as the ratio of the streaming potential to the driving pore pressure:

$$\mathbf{C}_{s0} = \frac{\Delta V}{\Delta P} = \frac{\epsilon \zeta}{\eta \sigma_f} \quad (1)$$

which is called the Helmholtz-Smoluchowski equation, where σ_f , ϵ and η are the fluid conductivity, the dielectric constant of the fluid, and the fluid dynamic viscosity respectively (see the tutorial by (Jouniaux & Ishido this issue)). In this formula the surface electrical conductivity is neglected compared to the fluid electrical conductivity. The potential ζ is the electrical potential within the double-layer on the slipping plane. Although the zeta potential can hardly be modeled for a rock and although it can not be directly measured within a rock, the steady-state streaming potential coefficient can be measured in laboratory, by applying

a fluid pressure difference (ΔP) and by measuring the induced streaming electric potential (ΔV) (Jouniaux et al. 2000; Guichet et al. 2003, 2006; Allègre et al. 2010, 2011). The electrical potential ζ itself depends on fluid composition and pH , and the water conductivity (Davis et al. 1978; Ishido & Mizutani 1981; Lorne et al. 1999; Jouniaux et al. 2000; Guichet et al. 2006; Jaafar et al. 2009; Vinogradov et al. 2010; Allègre et al. 2010).

2.1 Packard's model

Packard (1953) proposed a model for the frequency-dependent streaming potential coefficient for capillary tubes, assuming that the Debye length is negligible compared to the capillary radius, based on the Navier-Stokes equation:

$$\mathbf{C}_{\text{so}}(\omega) = \frac{\Delta V(\omega)}{\Delta P(\omega)} = \left(\frac{\epsilon\zeta}{\eta\sigma_f}\right) \left(\frac{2}{a\sqrt{\frac{i\omega\rho_f}{\eta}}}\frac{J_1\left(a\sqrt{\frac{i\omega\rho_f}{\eta}}\right)}{J_0\left(a\sqrt{\frac{i\omega\rho_f}{\eta}}\right)}e^{-i\omega t}\right) \quad (2)$$

where ω is the angular frequency, a is the capillary radius, J_1 and J_0 are the Bessel functions of the first order and the zeroth order, respectively, and ρ_f is the fluid density.

The transition angular frequency for a capillary is:

$$\omega_c = \frac{\eta}{\rho_f a^2} \quad (3)$$

More recently Reppert et al. (2001) used the low- and high-frequency approximations of the Bessel functions to propose the following formula, which corresponds to their eq.26 corrected with the right exponents -2 and $-1/2$:

$$\mathbf{C}_{\text{so}}(\omega) = \left(\frac{\epsilon\zeta}{\eta\sigma_f}\right) \left[1 + \left(\frac{-2}{a}\sqrt{\frac{\eta}{\omega\rho_f}}\left(\frac{1}{\sqrt{2}} - \frac{1}{\sqrt{2}}i\right)\right)^{-2}\right]^{-\frac{1}{2}} \quad (4)$$

with the transition angular frequency

$$\omega_c = \frac{8\eta}{\rho_f a^2} \quad (5)$$

and showed that this model was not very different from the model proposed by Packard (1953).

The complete development relating the Biot's theory and the Maxwell's equations has been published by Pride in 1994.

2.2 Pride's model

Pride (1994) derived the equations governing the coupling between seismic and electromagnetic wave propagation in a fluid-saturated porous medium from first principles for porous media. The following transport equations express the coupling between the mechanical and electromagnetic wavefields [(Pride 1994) equations (174), (176), and (177)]:

$$\mathbf{J} = \sigma(\omega)\mathbf{E} + L(\omega) (-\nabla p + i\omega^2 \rho_f \mathbf{u}_s) \quad (6)$$

$$-i\omega \mathbf{w} = L(\omega)\mathbf{E} + \frac{k(\omega)}{\eta} (-\nabla p + i\omega^2 \rho_f \mathbf{u}_s) \quad (7)$$

In the first equation the macroscopic electrical current density \mathbf{J} is the sum of the average conduction and streaming current densities. The fluid flux \mathbf{w} of the second equation is separated into electrically and mechanically induced contributions. The electrical fields and mechanical forces that create the current density \mathbf{J} and fluid flux \mathbf{w} are, respectively, \mathbf{E} and $(-\nabla p + i\omega^2 \rho_f \mathbf{u}_s)$, where p is the pore-fluid pressure, \mathbf{u}_s is the solid displacement, and \mathbf{E} is the electric field. The complex and frequency-dependent electrokinetic coupling $L(\omega)$, which describes the coupling between the seismic and electromagnetic fields (Pride 1994; Reppert et al. 2001) is the most important parameter in these equations. The other two coefficients, $\sigma(\omega)$ and $k(\omega)$, are the electric conductivity and dynamic permeability of the porous material, respectively.

The seismoelectric coupling that describes the coupling between the seismic and electromagnetic fields is complex and frequency-dependent Pride (1994):

$$L(\omega) = L_0 \left[1 - i \frac{\omega}{\omega_c} \frac{m}{4} \left(1 - 2 \frac{d}{\Lambda} \right)^2 \left(1 - i^{3/2} d \sqrt{\frac{\omega \rho_f}{\eta}} \right)^2 \right]^{-\frac{1}{2}} \quad (8)$$

where L_0 is the low frequency electrokinetic coupling, d is related to the Debye-length, Λ is

a porous-material geometry term (Johnson et al. 1987), and m is a dimensionless number (detailed in Pride (1994)).

The transition angular frequency ω_c separating low-frequency viscous flow and high-frequency inertial flow is defined as:

$$\omega_c = \frac{\phi\eta}{\alpha_\infty k_0 \rho_f} \quad (9)$$

where ϕ is the porosity, k_0 is the intrinsic permeability, α_∞ is the tortuosity.

2.3 Further considerations

The low-frequency electrokinetic coupling L_0 is related to the steady-state streaming potential coefficient C_{s0} by:

$$L_0 = -C_{s0}\sigma_r \quad (10)$$

where σ_r is the rock conductivity. The electrokinetic coupling $L(\omega)$ can be estimated by considering that steady-state models of C_{s0} can be applied to the calculation of L_0 . When writing $\sigma_r = \sigma_f/F$ with surface conductivity neglected, the steady-state electrokinetic coupling can be written as:

$$L_0 = -\frac{\epsilon\zeta}{\eta F} \quad (11)$$

We can see that the steady-state electrokinetic coupling is inversely proportional to the formation factor.

The transition angular frequency separating viscous and inertial flows in porous medium can be rewritten by inserting $\alpha_\infty = \phi F$ with F the formation factor that can be deduced from resistivity measurements using Archie's law, as:

$$\omega_c = \frac{1}{F} \frac{\eta}{k_0 \rho_f} \quad (12)$$

where F is the formation factor that can be deduced from resistivity measurements using Archie's law.

Since the permeability and the formation factor are not independent, but can be related by $k_0 = CR^2/F$ (Paterson 1983) with C a geometrical constant usually in the range 0.3-0.5 and R the hydraulic radius, the transition angular frequency can be written as:

$$\omega_c = \frac{\eta}{\rho_f CR^2} \quad (13)$$

The equation 13 shows that the transition angular frequency in porous medium is inversely proportional to the square of the hydraulic radius.

Recently Walker & Glover (2010) proposed a simplified equation of Pride's development assuming that the Debye length is negligible compared to the characteristic pore size, and assuming the parameter:

$$m = 8 \left(\frac{\Lambda}{r_{eff}} \right)^2 \quad (14)$$

leading to the equation:

$$L(\omega) = L_0 \left[1 - 2i \frac{\omega}{\omega_c} \left(\frac{\Lambda}{r_{eff}} \right)^2 \right]^{-\frac{1}{2}} \quad (15)$$

with r_{eff} the effective pore radius, and a transition angular frequency

$$\omega_c = \frac{8\eta}{\rho_f r_{eff}^2} \quad (16)$$

Garambois & Dietrich (2001) studied the low frequency assumption valid at seismic frequencies, meaning at frequencies lower than the Biot's frequency separating viscous and inertial flows and gave the coseismic transfer function for low frequency longitudinal plane waves. In this case, and assuming the Biot's moduli $C \ll H$, they showed that the seismo-electric field \mathbf{E} is proportional to the grain acceleration:

$$\mathbf{E} \simeq -\frac{L_0}{\sigma_r} \rho_f \ddot{\mathbf{u}} = \frac{\epsilon \zeta}{\eta \sigma_f} \rho_f \ddot{\mathbf{u}} \quad (17)$$

Equations 17, 10 and 1 show that transient seismo-electric magnitudes will be affected by the bulk density of the fluid, and the streaming potential coefficient which is inversely

proportional to the water conductivity and proportional to the zeta potential (which depends on the water pH).

2.4 The electrokinetic transition frequency compared to the hydraulic's one

The theory of dynamic permeability in porous media has been studied by many authors (Auriault et al. 1985; Johnson et al. 1987; Sheng & Zhou 1988; Sheng et al. 1988; Smeulders et al. 1992).

The frequency behavior of the permeability is given by Pride (1994) by:

$$\frac{k(\omega)}{k_0} = \left[\left(1 - i \frac{\omega}{\omega_c} \frac{4}{m} \right)^{\frac{1}{2}} - i \frac{\omega}{\omega_c} \right]^{-1} \quad (18)$$

The transition angular frequency for a porous medium is the same as eq. 9. Charlaix et al. (1988) measured the behavior of permeability with frequency on capillary tube, glass beads and crushed glass. The dynamic permeability is constant up to the transition frequency above which it decreases, and the more permeable the sample is, the lower the transition frequency is. Other measurements have been performed on glass beads and sand grains (Smeulders et al. 1992). The transition frequency ($f_c = \omega_c/2\pi$) varies from 4.8 Hz to 149 Hz for samples having permeability in the range 10^{-8} to 10^{-10} m² (see Table 1), which are extremely high permeabilities.

The transition frequency indicates the beginning of the transition for both the permeability and the electrokinetic coupling. However the transition behavior and the cutoff frequency are different between permeability and electrokinetic coupling (eq. 8 and eq.18), both depending on the pore-space geometry term m but in different manner.

We calculated the predicted transition frequency $f_c = \omega_c/2\pi$ with ω_c from eq. 12 with $\eta = 10^{-3}$ Pa.s and $\rho_f = 10^3$ kg/m³. The other parameters F and k_0 are measured from different authors cited in Bernabé (1991) (see Table 2). We also calculated the parameters for four Fontainebleau sandstone samples. It has been shown for these samples that $F = \phi^{-2.01}$ (from Ruffet et al. (1991)) and that $k_0 = a\phi^n$ with different values for n according to the porosity. The following laws were chosen: $k_0 = 1.66 \times 10^{-4} \phi^8$ for $\phi < 6\%$ and $k_0 = 2.5 \times 10^{-10} \phi^3$

for ϕ ranging between 8 and 25% (Bourbié et al. 1987). We can see that the transition frequencies are of the order of kHz and MHz and no more from 0.2 to 150 Hz as measured or calculated on glass beads, sand grains, crushed glass or capillaries. We plotted the results of the transition frequency as a function of the permeability on these various samples in Fig. 1. Although the formation factor is not constant with the permeability, it is clear that the transition frequency is inversely proportional to the permeability as:

$$\log_{10}(f_c) = -0.78\log_{10}(k) - 5.5 \quad (19)$$

and varies from about 100 MHz for 10^{-17} m² to about 10 Hz for 10^{-8} m², so by seven orders of magnitude for nine orders of magnitude in permeability.

3 EXPERIMENTAL APPARATUS AND PROCEDURE

Several experimental setups were proposed to provide the sinusoidal pressure variations.

The first experimental apparatus proposed a sinusoidal motion delivered by a sylvon bellows which was driven by a geophone-type push-pull driver (Fig. 2 from Packard (1953)). The low frequency oscillator (0.01 Hz to 1 kHz) was used for operation of the push-pull geophone driver. Similar setups were proposed by Thurston (1952b) (Fig. 3) and Cooke (1955), so that frequency of this kind of source was 1-400 Hz (Cooke 1955), 20-200 Hz (Packard 1953) and 10-700Hz (Thurston 1952b). The induced pressure was up to 2 kPa. More recently Schoemaker et al. (2007) used a so-called Dynamic Darcy Cell (DCC) with a mechanical shaker connected to a rubber membrane leading to a frequency range for the oscillating pressure 5 to 200 Hz. The sinusoidal fluid flow was also applied by a displacement piston pump directly connected to the electrodes chambers (fig. 4 from Groves & Sears (1975); Sears & Groves (1978)). The piston was mounted on a Scotch Yoke drive attached to a controllable speed AC motor (Cerde & Non-Chhom 1989). The frequency range of this source was then 0.4Hz to 21 Hz and the pressure up to 15 kPa. Pengra et al. (1999) used a piston rod attached to a loudspeaker driven by an audio power amplifier (Fig. 5).

They performed measurements up to 100Hz, with an applied pressure of 5 kPa RMS. More recently it was proposed by Reppert et al. (2001) to use an electromechanical transducer (fig. 6), and these authors covered a frequency range 1-500 Hz. The vibrating exciter proposed by Schoemaker et al. (2008) was used from 5Hz to 200Hz. Recently Tardif et al. (2011) used an electromagnetic shaker operating in the range 1Hz to 1kHz and provided measurements up to 200Hz. Higher frequencies have been investigated (Zhu et al. 1999, 2000; Chen & Mu 2005; Block & Harris 2006; Zhu et al. 2008) for the detection of the interfacial conversions.

The electromagnetic noise radiating from such equipment must be suppressed by shielding the set-up and wires (shielded twisted cable pairs) (Tardif et al. 2011; Schoemaker et al. 2008). Moreover it is essential to have a rigid framework. A mechanical resonance can occur in the cell/transducer system (at 70Hz in Pengra et al. (1999)), and the noise associated with mechanical vibration can be suppressed putting an additional mass to the frame (Tardif et al. 2011).

Once the oscillatory pressure is applied, the pressure must be measured. Most of the setups include piezoelectric transducers to measure the pressure difference over the capillary or the porous sample. Reppert et al. (2001) proposed to use hydrophones that have a flat response from 1 to 20 kHz. Tardif et al. (2011) proposed to use dynamic transducers with a low-frequency limit 0.08 Hz and a maximum frequency of 170 kHz.

The electrodes are usually Ag/AgCl or platinum electrodes. The electrodes used by Schoemaker et al. (2008) were sintered plates of Monel (composed of nickel and copper). The electrical signal must be measured using pre-amplifiers or a high-input impedance acquisition system. Since the impedance of the sample depends on the frequency, one must correct the measurements from this varying-impedance to be able to have a correct streaming potential coefficient (Reppert et al. 2001). Moreover the electrodes at top and bottom of the sample can behave as a capacitor, requiring a correction using impedance measurements too (Schoemaker et al. 2008).

The sample is usually saturated and it is emphasized that the sample should be left until equilibrium with water. This equilibrium can be obtained by leaving the sample in contact

with water for some time, and by flowing the water within the sample several times by checking the pH and the water conductivity until an equilibrium is reached (Guichet et al. 2003). The procedure including water flow is better because the properties of the water can be measured. When the properties of the water are measured only before saturating the sample, the resulting water once in contact with the sample is not known. Usually the water is more conductive when in contact with the sample, and the pH can change. Recalling that the streaming potential is proportional to the zeta potential (which depends on pH) and inversely proportional to the water conductivity (eq.1), it is essential to know properly the pH and the water conductivity.

4 MEASUREMENTS AND CALCULATIONS OF THE DYNAMIC ELECTROKINETIC COEFFICIENT

The absolute magnitude of the streaming potential coefficient normalized by the steady-state value was calculated by Packard (1953) as:

$$f(Y_a) = \left(\frac{-2i\sqrt{i}J_1(\sqrt{i}Y_a)}{Y_a J_0(\sqrt{i}Y_a)} e^{-i\omega t} \right) \quad (20)$$

which is equal to eq. 2, but expressed as a function of the parameter $Y_a = a\sqrt{\frac{\omega\rho_f}{\eta}}$, the transition frequency being obtained for $Y_a = 1$ (Fig. 7). The streaming potential coefficient is constant up to the transition angular frequency, and then decreases with increasing frequency.

Sears & Groves (1978) measured the streaming potential coefficient on a capillary of radius 508 μm which was coated with clay-Adams Siliclad and then incubated with 1% bovine serum albumin, and filled with 0.02 M Tris-HCl at pH 7.32. They reported the streaming potential and the pressure difference as a function of frequency in the range 0–20 Hz. We calculated the resulting streaming potential coefficient (see Fig. 8) which decreases from about 1.3×10^{-7} to 4×10^{-8} V/Pa. These authors computed the zeta potential and concluded that the zeta potential is independent of the frequency with an average value

of 28.8 mV. Moreover they concluded that the zeta potential is also independent of the capillary radius and capillary length.

The value of the streaming potential coefficient on Ottawa sand measured at 5 Hz by Tardif et al. (2011) was -5.2×10^{-7} V/Pa using a 0.001 mol/L NaCl solution to saturate the sample. Values between 1 and 2×10^{-8} V/Pa were measured on samples saturated by 0.1 M/L NaCl brine (Pengra et al. 1999). A compilation of numerous streaming potential coefficients measured on sands and sandstones at various salinities in DC domain (Allègre et al. 2010) showed that $C_{s0} = -1.2 \times 10^{-8} \sigma_f^{-1}$, where C_{s0} is in V/Pa and σ_f in S/m. A zeta potential of -17 mV can be inferred from these collected data, assuming the other parameters (see eq. 1) independent of water conductivity. These assumptions are not exact, but the value of zeta is needed for numerous modellings which usually assume the other parameters independent of the fluid conductivity. Therefore an average value of -17 mV for such modellings can be rather exact, at least for medium with no clay nor calcite.

Reppert et al. (2001) calculated the real part and the imaginary part of the theoretical Packard's streaming potential coefficient (eq. 2) for different capillary radii. (see Fig. 9). It can be seen that the larger the radius is, the lower the transition frequency is, as shown above by the different theories. Recent developments by the group of Glover have been performed to build a new setup and to make further measurements on porous samples: two papers detail these studies in this special issue on Electrokinetics in Earth Sciences.

5 CONCLUSION

Since the theory of Pride in 1994, the dynamic behavior of the streaming potential is known for porous media. However few experimental results are available, because of the difficulty to perform correct measurements at high frequency. Up to now, measurements of the frequency-dependence of the streaming potential have been performed up to 200 Hz on high-permeable samples. The main difficulty arises from electrical noise induced by mechanical vibration. Moreover it has been emphasized that the measurements must be corrected by impedance measurements as a function of frequency too because the impedance of the sample de-

depends on frequency. Further theoretical developments performed by Garambois & Dietrich (2001) studied the low frequency assumption valid at frequencies lower than the transition frequency. We show that this transition frequency, on a various collection of samples for which both formation factor and permeability are measured, is predicted to depend on the permeability as inversely proportional to the permeability.

6 ACKNOWLEDGEMENTS

This work was supported by the French National Scientific Center (CNRS), by the National Agency for Research (ANR) through TRANSEK, and by REALISE the “Alsace Region Research Network in Environmental Sciences in Engineering” and the Alsace Region. We thank two anonymous reviewers and the associate editor T. Ishido for very constructive remarks that improved this paper.

7 REFERENCES

REFERENCES

- Allègre, V., Jouniaux, L., Lehmann, F., & Sailhac, P., 2010. Streaming Potential dependence on water-content in fontainebleau sand, *Geophys. J. Int.*, **182**, 1248–1266.
- Allègre, V., Jouniaux, L., Lehmann, F., & Sailhac, P., 2011. Reply to the comment by A. Revil and N. Linde on: “Streaming potential dependence on water-content in fontainebleau sand” by Allègre et al., *Geophys. J. Int.*, **186**, 115–117.
- Auriault, J., Borne, L., & Chambon, R., 1985. Dynamics of porous saturated media, checking of the generalized law of darcy, *J. Acoust. Soc. Am.*, **77**, 1641–1650.
- Bernabé, Y., 1991. Pore geometry and pressure dependence of the transport properties in sandstones, *Geophysics*, **56**, 436–446.
- Biot, M. A., 1956. Theory of propagation of elastic waves in a fluid-saturated porous solid: I. low frequency range, *J. Acoust. Soc. Am.*, **28**(2), 168–178.
- Block, G. I. & Harris, J. G., 2006. Conductivity dependence of seismoelectric wave phenomena in fluid-saturated sediments, *J. Geophys. Res.*, **111**, B01304.
- Bordes, C., Jouniaux, L., Dietrich, M., Pozzi, J.-P., & Garambois, S., 2006. First laboratory measurements of seismo-magnetic conversions in fluid-filled Fontainebleau sand, *Geophys. Res. Lett.*, **33**, L01302.

- Bordes, C., Jouniaux, L., Garambois, S., Dietrich, M., Pozzi, J.-P., & Gaffet, S., 2008. Evidence of the theoretically predicted seismo-magnetic conversion, *Geophys. J. Int.*, **174**, 489–504.
- Bourbié, T., Coussy, O., & Zinszner, B., 1987. Acoustic of porous media, *Institut Francais du pétrole publications*, **Ed. Technip**.
- Cerda, C. & Non-Chhom, K., 1989. The use of sinusoidal streaming flow measurements to determine the electrokinetic properties of porous media, *Colloids and Surfaces*, **35**, 7–15.
- Chandler, R., 1981. Transient streaming potential measurements on fluid-saturated porous structures: An experimental verification of Biot's slow wave in the quasi-static limit, *J. Acoust. Soc. Am.*, **70**, 116–121.
- Charlaix, E., Kushnick, A. P., & Stokes, J., 1988. Experimental study of dynamic permeability in porous media, *Phys. Rev. Lett.*, **61**(14), 1595–1598.
- Chen, B. & Mu, Y., 2005. Experimental studies of seismoelectric effects in fluid-saturated porous media, *J. Geophys. Eng.*, **2**, 222–230.
- Chierici, G., Ciucci, G., Eva, F., & Long, G., 1967. Effect of the overburden pressure on some petrophysical parameters of reservoir rocks, *Proc. 7th World Petroleum Cong.*, **2**, 309–338.
- Cooke, C. E., 1955. Study of electrokinetic effects using sinusoidal pressure and voltage, *J. Chem. Phys.*, (23), 2299–2303.
- Davis, J. A., James, R. O., & Leckie, J., 1978. Surface ionization and complexation at the oxide/water interface, *J. Colloid Interface Sci.*, **63**, 480–499.
- Dobrynin, V., 1962. Effect of overburden pressure on some properties of sandstones, *Soc. Petr. Engrs. J.*, (2), 360–366.
- Dupuis, J. C. & Butler, K. E., 2006. Vertical seismoelectric profiling in a borehole penetrating glaciofluvial sediments, *Geophys. Res. Lett.*, **33**.
- Dupuis, J. C., Butler, K. E., & Kepic, A. W., 2007. Seismoelectric imaging of the vadose zone of a sand aquifer, *Geophysics*, **72**, A81–A85.
- Dupuis, J. C., Butler, K. E., Kepic, A. W., & Harris, B. D., 2009. Anatomy of a seismoelectric conversion: Measurements and conceptual modeling in boreholes penetrating a sandy aquifer, *J. Geophys. Res. Solid Earth*, **114**(B13), B10306.
- Fatt, I., 1957. Effect of overburden and reservoir pressure on electric logging formation factor, *Bull. Am. Ass. Pet. Geol.*, **41**, 2456–2466.
- Fenoglio, M., Johnston, M., & Byerlee, J., 1995. Magnetic and electric fields associated with changes in high pore pressure in fault zones; application to the loma prieta ulf emissions, *J. Geophys. Res.*, **100**, 12951–12958.
- Gao, Y. & Hu, H., 2010. Seismoelectromagnetic waves radiated by a double couple source in a saturated porous medium, *Geophys. J. Int.*, **181**, 873–896.

- Garambois, S. & Dietrich, M., 2001. Seismoelectric wave conversions in porous media: Field measurements and transfer function analysis, *Geophysics*, **66**, 1417–1430.
- Garambois, S. & Dietrich, M., 2002. Full waveform numerical simulations of seismoelectromagnetic wave conversions in fluid-saturated stratified porous media, *J. Geophys. Res.*, **107**(B7), ESE 5–1.
- Groves, J. & Sears, A., 1975. Alternating streaming current measurements, *J. Colloid Interface Sci.*, **53**, 83–89.
- Guichet, X., Jouniaux, L., & Pozzi, J.-P., 2003. Streaming potential of a sand column in partial saturation conditions, *J. Geophys. Res.*, **108**(B3), 2141.
- Guichet, X., Jouniaux, L., & Catel, N., 2006. Modification of streaming potential by precipitation of calcite in a sand-water system: laboratory measurements in the pH range from 4 to 12, *Geophys. J. Int.*, **166**, 445–460.
- Haartsen, M. W. & Pride, S., 1997. Electrostatic waves from point sources in layered media, *J. Geophys. Res.*, **102**, 24,745–24,769.
- Haartsen, M. W., Dong, W., & Toksöz, M. N., 1998. Dynamic streaming currents from seismic point sources in homogeneous poroelastic media, *Geophys. J. Int.*, **132**, 256–274.
- Haines, S. S., Guitton, A., & Biondi, B., 2007a. Seismoelectric data processing for surface surveys of shallow targets, *Geophysics*, **72**, G1–G8.
- Haines, S. S., Pride, S. R., Klemperer, S. L., & Biondi, B., 2007b. Seismoelectric imaging of shallow targets, *Geophysics*, **72**, G9–G20.
- Honkura, Y., Ogawa, Y., Matsushima, M., Nagaoka, S., Ujihara, N., & Yamawaki, T., 2009. A model for observed circular polarized electric fields coincident with the passage of large seismic waves, *J. Geophys. Res.*, **114**, B10103.
- Ishido, T. & Mizutani, H., 1981. Experimental and theoretical basis of electrokinetic phenomena in rock water systems and its applications to geophysics, *J. Geophys. Res.*, **86**, 1763–1775.
- Jaafar, M. Z., Vinogradov, J., & Jackson, M. D., 2009. Measurement of streaming potential coupling coefficient in sandstones saturated with high salinity nacl brine, *Geophys. Res. Lett.*, **36**.
- Jackson, M. D., 2010. Multiphase electrokinetic coupling: Insights into the impact of fluid and charge distribution at the pore scale from a bundle of capillary tubes model, *J. Geophys. Res.*, **115**, B07206.
- Jiang, Y. G., Shan, F. K., Jin, H. M., & Zhou, L. W., 1998. A method for measuring electrokinetic coefficients of porous media and its potential application in hydrocarbon exploration, *Geophys. Res. Lett.*, **25**(10), 1581–1584.
- Johnson, D. L., Koplik, J., & Dashen, R., 1987. Theory of dynamic permeability in fluid saturated porous media, *J. Fluid. Mech.*, **176**, 379–402.

- Jouniaux, L., 2011. *Electrokinetic techniques for the determination of hydraulic conductivity*, in *Hydraulic Conductivity/Book 2*, edited by L. Elango, Intech Open Access Publisher.
- Jouniaux, L. & Ishido, T., this issue. Electrokinetics in Earth Sciences: a tutorial, *Int. J. Geophysics*.
- Jouniaux, L. & Pozzi, J.-P., 1995a. Permeability dependence of streaming potential in rocks for various fluid conductivity, *Geophys. Res. Lett.*, **22**, 485–488.
- Jouniaux, L. & Pozzi, J.-P., 1995b. Streaming potential and permeability of saturated sandstones under triaxial stress: consequences for electrotelluric anomalies prior to earthquakes, *J. Geophys. Res.*, **100**, 10,197–10,209.
- Jouniaux, L. & Pozzi, J.-P., 1997. Laboratory measurements anomalous 0.1-0.5 Hz streaming potential under geochemical changes: Implications for electrotelluric precursors to earthquakes, *J. Geophys. Res.*, **102**, 15,335–15,343.
- Jouniaux, L., Lallemand, S., & Pozzi, J., 1994. Changes in the permeability, streaming potential and resistivity of a claystone from the Nankai prism under stress, *Geophys. Res. Lett.*, **21**, 149–152.
- Jouniaux, L., Pozzi, J.-P., Berthier, J., & Massé, P., 1999. Detection of fluid flow variations at the Nankai trough by electric and magnetic measurements in boreholes or at the seafloor, *J. Geophys. Res.*, **104**, 29293–29309.
- Jouniaux, L., Bernard, M.-L., Zamora, M., & Pozzi, J.-P., 2000. Streaming potential in volcanic rocks from Mount Peleé, *J. Geophys. Res.*, **105**, 8391–8401.
- Jouniaux, L., Maineult, A., Naudet, V., Pessel, M., & Sailhac, P., 2009. Review of self-potential methods in hydrogeophysics, *C.R. Geosci.*, **341**, 928–936.
- Lorne, B., Perrier, F., & Avouac, J.-P., 1999. Streaming potential measurements. 1. properties of the electrical double layer from crushed rock samples, *J. Geophys. Res.*, **104**(B8), 17,857–17,877.
- Matsushima, M., Y.Honkura, Oshiman, N., Baris, S., Tuncer, M., Tank, S., Celik, C., Takahashi, F., Nakanishi, M., Yoshimura, R., Pektas, R., Komut, T., Tolak, E., Ito, A., Iio, Y., & Isikara, A., 2002. Seismoelectromagnetic effect associated with the izmit earthquake and its aftershocks, *Bulletin of the Seismological society of America*, **92**, 350–360.
- Migunov, N. & Kokorev, A., 1977. Dynamic properties of the seismoelectric effect of water-saturated rocks, *Izvestiya, Earth Physics*, **13**(6), 443–445.
- Mikhailov, O. V., Queen, J., & Toksöz, M. N., 2000. Using borehole electroseismic measurements to detect and characterize fractured (permeable) zones, *Geophysics*, **65**, 1098–1112.
- Mironov, S. A., Parkhomenko, E. I., & Chernyak, G. Y., 1994. Seismoelectric effect in rocks containing gas or fluid hydrocarbon (english translation), *Izv. Phys. Solid Earth*, **29**(11).
- Morgan, D., Lesmes, D., Samstag, F., Chauvelier, C., Estrada, C., O’Leary, R., Wurmstich, B.,

- & Zaman, S., 1990. Laboratory reports for geophysics 612: Rock physics, **Texas A&M University**.
- Packard, R. G., 1953. Streaming potentials across capillaries for sinusoidal pressure, *J. Chem. Phys.*, **1**(21), 303–307.
- Pain, C., Saunders, J. H., Worthington, M. H., Singer, J. M., Stuart-Bruges, C. W., Mason, G., & Goddard., A., 2005. A mixed finite-element method for solving the poroelastic Biot equations with electrokinetic coupling, *Geophys. J. Int.*, **160**, 592–608.
- Paterson, M., 1983. The equivalent channel model for permeability and resistivity in fluid-saturated rock- a re-appraisal, *Mechanics of Materials*, **2**, 345–352.
- Pengra, D. B., Li, S. X., & Wong, P.-Z., 1999. Determination of rock properties by low frequency ac electrokinetics, *J. Geophys. Res.*, **104**(B12), 29.485–29.508.
- Pozzi, J.-P. & Jouniaux, L., 1994. Electrical effects of fluid circulation in sediments and seismic prediction, *C.R. Acad. Sci. Paris, serie II*, **318**(1), 73–77.
- Pride, S., 1994. Governing equations for the coupled electromagnetics and acoustics of porous media, *Phys. Rev. B: Condens. Matter*, **50**, 15678–15695.
- Reppert, P. M., Morgan, F. D., Lesmes, D. P., & Jouniaux, L., 2001. Frequency-dependent streaming potentials, *J. Colloid Interface Sci.*, (234), 194–203.
- Ruffet, C., Guéguen, Y., & Darot, M., 1991. Complex conductivity and fractal microstructures, *Geophysics*, **56**, 758–768.
- Saunders, J. H., Jackson, M. D., & Pain, C. C., 2006. A new numerical model of electrokinetic potential response during hydrocarbon recovery, *Geophys. Res. Lett.*, **33**, L15316.
- Schakel, M. & Smeulders, D., 2010. Seismoelectric reflection and transmission at a fluid/porous-medium interface, *J. Acoust. Soc. Am.*, **127**, 13–21.
- Schakel, M., Smeulders, D., Slob, E., & Heller, H., 2011. Seismoelectric interface response: Experimental results and forward model, **76**, N29–N36.
- Schoemaker, F., Smeulders, D., & Slob, E., 2007. Simultaneous determination of dynamic permeability and streaming potential, *SEG expanded abstracts*, **26**, 1555–1559.
- Schoemaker, F., Smeulders, D., & Slob, E., 2008. Electrokinetic effect: Theory and measurement, *SEG Technical Program Expanded Abstracts*, pp. 1645–1649.
- Sears, A. & Groves, J., 1978. The use of oscillating laminar flow streaming potential measurements to determine the zeta potential of a capillary surface, *J. Colloid Interface Sci.*, **65**, 479–482.
- Sheng, P. & Zhou, M., 1988. Dynamic permeability in porous media, *Physical Review Letters*, **61**, 1591–1594.
- Sheng, P., Zhou, M., Charlaix, E., Kushnick, A., & Stokes, J., 1988. Scaling function for dynamic permeability in porous media,reply, *Physical Review Letters*, **63**, 581.

- Singer, J., J.Saunders, Holloway, L., Stoll, J., C.Pain, Stuart-Bruges, W., & Mason, G., 2005. Electrokinetic logging has the potential to measure the permeability, *Society of Petrophysicists and Well Log Analysts, 46th Annual Logging Symposium*.
- Smeulders, D., Eggels, R., & van Dongen, M., 1992. Dynamic permeability: reformulation of theory and new experimental and numerical data, *J. Fluid Mech.*, **245**, 211–227.
- Strahser, M., Jouniaux, L., Sailhac, P., Matthey, P.-D., & Zillmer, M., 2011. Dependence of seismoelectric amplitudes on water-content, *Geophys. J. Int.*, **187**, 1378–1392.
- Strahser, M. H. P., Rabbel, W., & Schildknecht, F., 2007. Polarisation and slowness of seismoelectric signals: a case study, *Near Surface Geophysics*, **5**, 97–114.
- Taherian, M., Kenyon, W., & Safinya, K., 1990. Measurement of dielectric response of water-saturated rocks, *Geophysics*, **55**, 1530–1541.
- Takeuchi, N., Chubachi, N., Hotta, S., & Narita, K., 1998. Analysis of earth potential difference signals by using seismic wave signals, *Electrical Engineering in Japan*, **125**, 52–59.
- Tardif, E., Glover, P., & Ruel, J., 2011. Frequency-dependent streaming potential of ottawa sand, *J. Geophys. Res.*, **116**, B04206.
- Thompson, A., Hornbostel, S., Burns, J., Murray, T., Raschke, R., Wride, J., McCammon, P., Sumner, J., Haake, G., Bixby, M., Ross, W., White, B., Zhou, M., & Peczak, P., 2005. Field tests of electroseismic hydrocarbon detection, *SEG Technical Program Expanded Abstracts*.
- Thompson, A., Sumner, J., & Hornbostel, S., 2007. Electromagnetic-to-seismic conversion: A new direct hydrocarbon indicator, *The Leading Edge*, pp. 428–435.
- Thurston, G., 1952a. Apparatus for absolute measurement of analogous impedance of acoustic elements, *J. Acoust. Soc. Am.*, **24**(6), 649–656.
- Thurston, G., 1952b. periodic fluid flow through circular tubes, *J. Acoust. Soc. Am.*, **24**(6), 653–656.
- Vinogradov, J., Jaafar, M., & Jackson, M. D., 2010. Measurement of streaming potential coupling coefficient in sandstones saturated with natural and artificial brines at high salinity, *J. Geophys. Res.*, **115**, B12204.
- Walker, E. & Glover, P. W. J., 2010. Permeability models of porous media: characteristic length scales, scaling constants and time-dependent electrokinetic coupling, *Geophysics*, **75**, E235–E246.
- Wyble, D., 1958. Effect of applied pressure on the conductivity, porosity and permeability of sandstones, *Trans. AIME*, **213**, 430–432.
- Yale, D., 1984. Network modelling of flow, storage and deformation in porous rocks, *PhD Thesis, Stanford University*.
- Zhu, Z. & Toksöz, M. N., 2003. Crosshole seismoelectric measurements in borehole models with fractures, *Geophysics*, **68**(5), 1519–1524.

Zhu, Z., Haartsen, M. W., & Toksöz, M. N., 1999. Experimental studies of electrokinetic conversions in fluid-saturated borehole models, *Geophysics*, **64**, 1349–1356.

Zhu, Z., Haartsen, M. W., & Toksöz, M. N., 2000. Experimental studies of seismoelectric conversions in fluid-saturated porous media, *J. Geophys. Res.*, **105**, 28,055–28,064.

Zhu, Z., Toksoz, M., & Burns, D., 2008. Electrostatic and seismoelectric measurements of rock sample in a water tank, *Geophysics*, **73**(5), E153–E164.

Table 1. Measured or predicted transition frequency for dynamic streaming potential and permeability, for samples of porosity ϕ , formation factor F , permeability k_0 , and half of the mean particle size r , from (SED) Smeulders et al. (1992), (CKS) Charlaix et al. (1988), (SG) Sears & Groves (1978), (P)Packard (1953), (TGR) Tardif et al. (2011), (RMLJ) Reppert et al. (2001). * indicates predicted transition frequency from eq. 3 and ** indicates the transition frequency computed by the authors.

Sample	particle size μm	ϕ [%]	F	k_0 [m ²]	f_c [Hz]	source
capillary	254(radius)			10^{-8}	10-2.5* Hz	CKS
capillary	508(radius)				1.3-0.62* Hz	SG
capillary G4	720(radius)				0.31*-0.28 ** Hz	P
capillary G2	826(radius)				0.23*-0.21 ** Hz	P
capillary 1	800-1100(radius)				7.1 Hz	RMLJ
glass beads	1.25-1.75	32	7.8	4.2×10^{-9}	4.8 Hz	SED
glass beads	850 (r)	50	2.8	10^{-8}	6.2 Hz	CKS
glass beads	580-700	31	8.7	9×10^{-10}	20 Hz	SED
glass beads	450 (r)	50	3.2	2×10^{-9}	25 Hz	CKS
glass beads	250 (r)	50	3	5×10^{-10}	108 Hz	CKS
glass beads	200-270	31	9	1.4×10^{-10}	126 Hz	SED
crushed glass	440 (r)	50	3	10^{-9}	44 Hz	CKS
crushed glass	265 (r)	50	3.2	2×10^{-10}	45-103 Hz	CKS
porous fliter A	72.5-87				269 Hz	RMLJ
porous fliter B	35-50				710 Hz	RMLJ
sand grains	1000-2000	31	9	26×10^{-10}	6.7 Hz	SED
sand grains	150-300	29	10.7	10^{-10}	149 Hz	SED
Ottawa sand	200-250 (r)	31	4.7	1.2×10^{-10}	230-273 Hz	TGR

Table 2. Predicted transition frequency (from eq. 12) for dynamic streaming potential, for samples of porosity ϕ , formation factor F and permeability k_0 , from (1) calculated in the present study, and measured by (2) Taherian et al. (1990), (3) Morgan et al. (1990), (4)Fatt (1957), (5)Wyble (1958), (6)Dobrynin (1962), (7)Chierici et al. (1967), (8)Yale (1984).

Sample	ϕ [%]	F	k_0 [m ²]	f_c [Hz]
Fontainebleau sandstone ¹	20	25	2×10^{-12}	3.2 kHz
Fontainebleau sandstone ¹	15	45	8×10^{-13}	4.4 kHz
Fontainebleau sandstone ¹	10	102	2.5×10^{-13}	6.2 kHz
sandstone-S22 ²	31.2	6	2.7×10^{-12}	9.7 kHz
sandstone-S47 ²	20	14.4	8.5×10^{-13}	13 kHz
Boise ⁸	26	12	9×10^{-13}	14.7 kHz
Berea sandstone500 ⁸	20	20	4.9×10^{-13}	16.2 kHz
sandstone-S42 ²	19.7	14.7	6.7×10^{-13}	16.2 kHz
sandstone-S45 ²	21	11.7	7.2×10^{-13}	18.8 kHz
Fahler 162 ⁸	3	294	2.7×10^{-14}	20 kHz
sandstone-S43 ²	21.2	13	5.1×10^{-13}	23.5 kHz
Pliocene 41 ⁷	21	144.9	4.2×10^{-14}	26.1 kHz
Pliocene 35 ⁷	20	156.2	3.7×10^{-14}	27.5 kHz
Berea sandstoneC2H ³	19.8	15.1	3.8×10^{-13}	27.7 kHz
sandstone-S50 ²	18.3	17.2	3.1×10^{-13}	30 kHz
Triassic38 ⁷	21	12.6	4×10^{-12}	31.4 kHz
Triassic34 ⁷	20	13.9	3.5×10^{-13}	32.7 kHz
Berea sandstoneB2 ³	20.3	15.2	2.64×10^{-13}	39.7 kHz
sandstone-S5 ²	26.4	8.7	4.1×10^{-13}	45 kHz
sandstone-S35 ²	18.75	17.4	2×10^{-13}	46.5 kHz
Massillon DH ⁸	16	23.8	1.3×10^{-13}	51.4 kHz
Cambrian 16 ⁷	14	312.5	9.5×10^{-15}	53.6 kHz
Fontainebleau sandstone ¹	5	412	6.5×10^{-15}	59.4 kHz
Berea sandstoneD1 ³	18.5	18.4	1.3×10^{-13}	66.5 kHz
Tensleep1 ⁴	15	18.9	1.2×10^{-13}	70.3 kHz
Tertiary 807 ⁸	22	14.9	1.5×10^{-13}	71.1 kHz
Cambrian 6 ⁷	8.1	90.9	2.3×10^{-14}	76.1 kHz

Table 3. continued

Sample	ϕ [%]	F	k_0 [m ²]	f_c [Hz]
Torpedo ⁶	20	41.7	4.5x10 ⁻¹⁴	84.9 kHz
Miocene 7 ⁷	8.3	384.6	4.4x10 ⁻¹⁵	94 kHz
Cambrian 14 ⁷	11	52.6	3.2x10 ⁻¹⁴	94.5 kHz
sandstone Triassic27 ⁷	18	20	7.2x10 ⁻¹⁴	110.5 kHz
sandstone-S9 ²	20.9	12	1x10 ⁻¹³	126.2 kHz
Triassic26 ⁷	18	17.2	6.8x10 ⁻¹⁴	135.7 kHz
sandstone-S6 ²	22.8	10.6	8.3x10 ⁻¹⁴	180.7 kHz
Berea 100H ⁸	17	17.2	4.9x10 ⁻¹⁴	188.4 kHz
sandstone S15 ²	21.8	13.9	4.5x10 ⁻¹⁴	256.7 kHz
Kirkwood ⁵	15	40	1.2x10 ⁻¹⁴	331.6 kHz
Indiana DV ⁸	27	12	3x10 ⁻¹⁴	440.3 kHz
Island Rust A1 ³	14.6	52.5	5.2x10 ⁻¹⁵	579 kHz
Bradford ⁵	11	90	2.5x10 ⁻¹⁵	700.3 kHz
Austin chalk ³	23.6	22.7	9.7x10 ⁻¹⁵	763 kHz
Massillon DV ⁸	19	27.8	6.9x10 ⁻¹⁵	830.4 kHz
sandstone-S34 ²	21.35	13.7	1.1x10 ⁻¹⁴	1.06 MHz
sandstone S44 ²	15.7	24.5	4.2x10 ⁻¹⁵	1.5 MHz
Indiana L. SA1 ³	18	29.2	1.9x10 ⁻¹⁵	2.9 MHz
Tennessee A1 ³	5.5	180.3	2.3x10 ⁻¹⁶	3.8 MHz
AZPink (Coconino) ³	10.3	62.4	6.3x10 ⁻¹⁶	4.04 MHz
Leuders L.SA1 ³	15.2	41.5	7.1x10 ⁻¹⁶	5.3 MHz
sandstone-S40 ²	10.9	130	1.9x10 ⁻¹⁶	6.4 MHz
sandstone-S23 ²	18.8	40.7	4.8x10 ⁻¹⁶	8.1 MHz
Fahler 189 ⁸	1.9	714.3	2x10 ⁻¹⁷	11.1 MHz
Penn blue A1 ³	3.9	219	6.2x10 ⁻¹⁷	11.7 MHz
AZChocolate2 ³	9.5	159.3	5.8x10 ⁻¹⁷	17.2 MHz
Fahler 161 ⁸	2.3	416.7	1x10 ⁻¹⁷	38.2 MHz
Fahler 142 ⁸	7.6	164	2x10 ⁻¹⁷	48.5 MHz
sandstone S21 ²	12.1	65	3x10 ⁻¹⁷	81.7 MHz
Fahler 154 ⁸	4.6	263.1	7x10 ⁻¹⁸	86.4 MHz
Fahler 192 ⁸	4.4	128.2	9x10 ⁻¹⁸	137.9 MHz

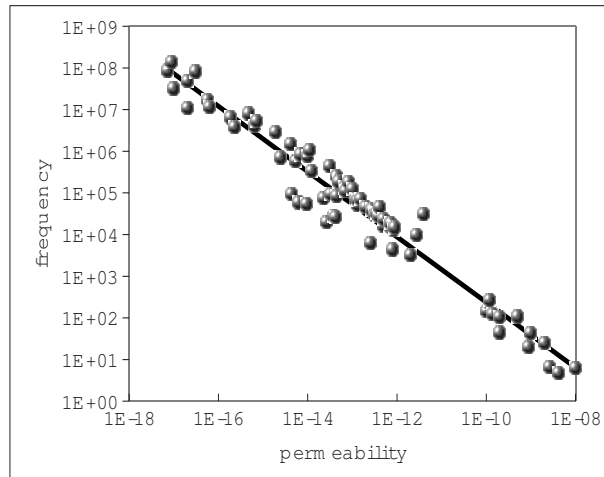


Figure 1. The transition frequency $f_c = \omega_c/2\pi$ (in Hz) predicted in the present study with ω_c from eq. 12 with $\eta = 10^{-3}$ Pa.s and $\rho_f = 10^3$ kg/m³ as a function of the permeability (in m^2). The transition frequency varies as $\log_{10}(f_c) = -0.78\log_{10}(k) - 5.5$. The parameters of the samples, F and k_0 are measured from different authors on various samples cited in Tables 1, 2 and 3

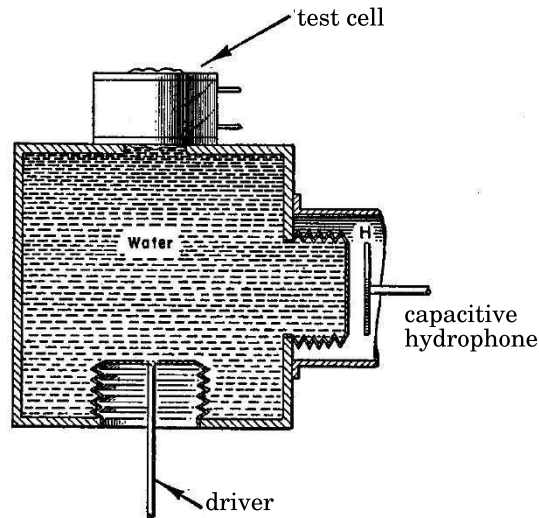


Figure 2. The syphon bellows is driven by a geophone-type push-pull driver to apply a sinusoidal motion to the sample. (modified from Packard (1953))

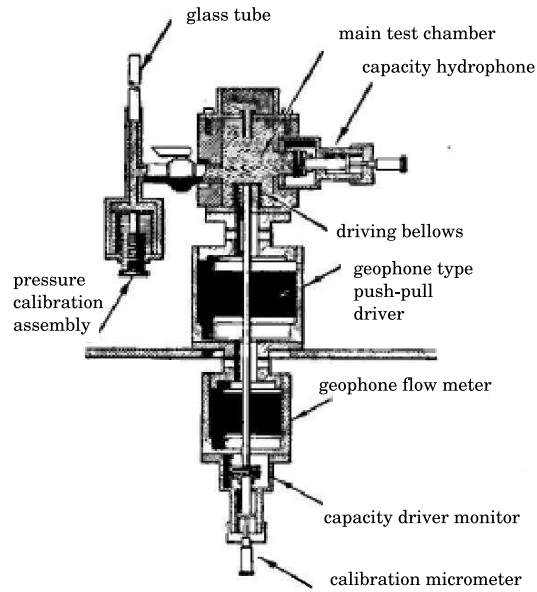


Figure 3. Experimental setup used by Thurston (1952a) (modified from Thurston (1952a)).

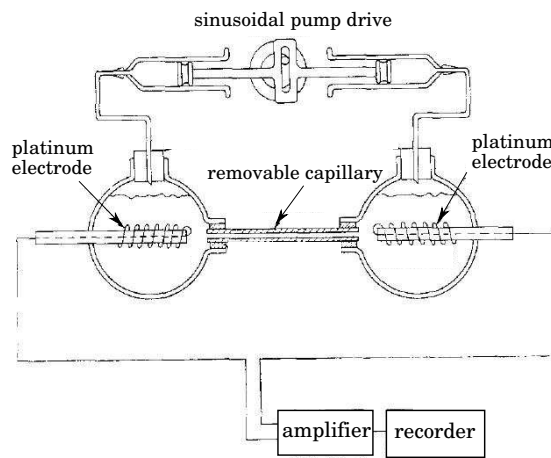


Figure 4. Experimental setup used by Groves & Sears (1975) (modified from Groves & Sears (1975)).

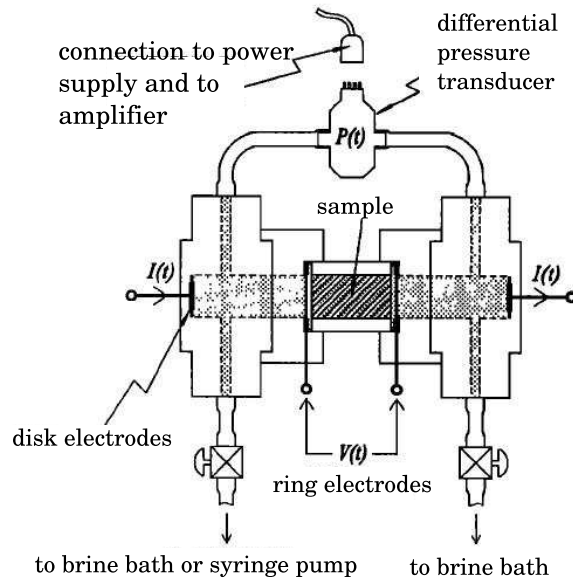


Figure 5. Experimental setup used by Pengra et al. (1999) for streaming potential and electro-osmosis measurements (modified from Pengra et al. (1999)).

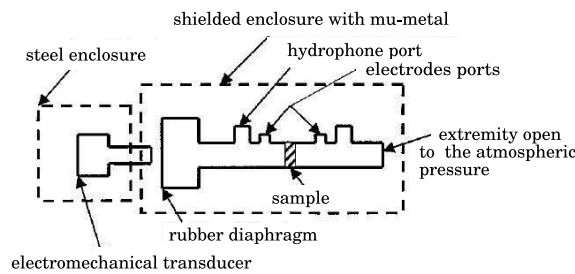


Figure 6. Experimental setup used by Reppert et al. (2001) (modified from Reppert et al. (2001)).

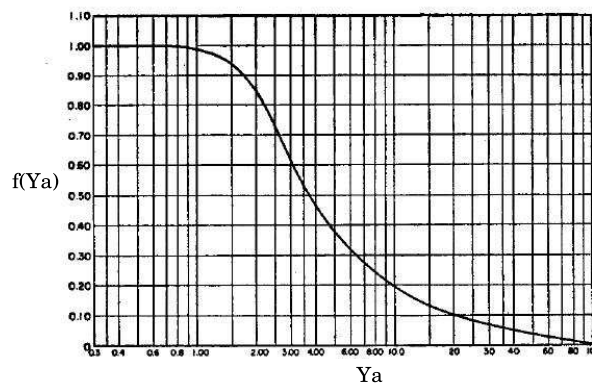


Figure 7. The absolute magnitude of the normalized streaming potential coefficient calculated by Packard (1953) using eq. 20 where $Y_a = a \sqrt{\frac{\omega \rho_f}{\eta}}$, equivalent to eq. 2 (modified from Packard (1953))

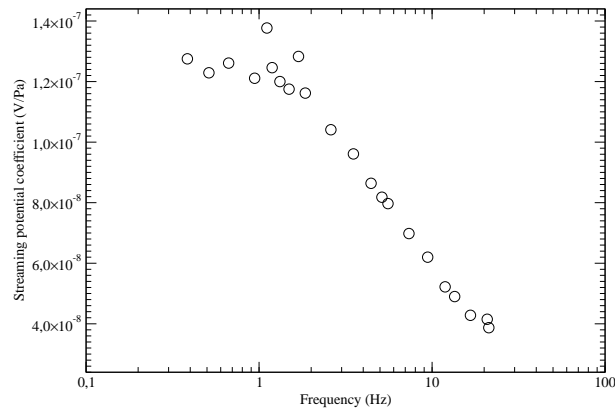


Figure 8. The streaming potential coefficient measured as a function of frequency by Sears & Groves (1978) on a capillary coated with clay, incubated with BSA in 0.02 M Tris-HCl.

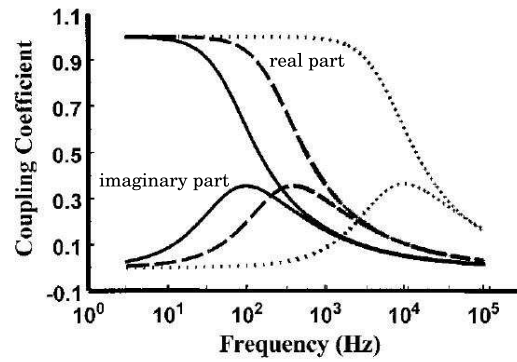


Figure 9. The real and imaginary part of the Packard's model (eq.2) calculated by Reppert et al. (2001) for three capillary radii: $100\mu\text{m}$ (continuous line), $50\mu\text{m}$ (dashed line), $10\mu\text{m}$ (point line) (modified from Reppert et al. (2001)).