



HAL
open science

Branching processes of general Petri nets

Jean-Michel Couvreur, Denis Poitrenaud, Pascal Weil

► **To cite this version:**

Jean-Michel Couvreur, Denis Poitrenaud, Pascal Weil. Branching processes of general Petri nets. *Fundamenta Informaticae*, 2012. hal-00688138v1

HAL Id: hal-00688138

<https://hal.science/hal-00688138v1>

Submitted on 16 Apr 2012 (v1), last revised 3 Jul 2012 (v2)

HAL is a multi-disciplinary open access archive for the deposit and dissemination of scientific research documents, whether they are published or not. The documents may come from teaching and research institutions in France or abroad, or from public or private research centers.

L'archive ouverte pluridisciplinaire **HAL**, est destinée au dépôt et à la diffusion de documents scientifiques de niveau recherche, publiés ou non, émanant des établissements d'enseignement et de recherche français ou étrangers, des laboratoires publics ou privés.

BRANCHING PROCESSES OF GENERAL PETRI NETS

JEAN-MICHEL COUVREUR, DENIS POITRENAUD, AND PASCAL WEIL

ABSTRACT. We propose a new model of branching processes, suitable for describing the behavior of general Petri nets, without any finiteness or safeness assumption. In this framework, we define a new class of branching processes and unfoldings of a net N , which we call true. These coincide with the safe branching processes and unfoldings if N is safe, or weakly safe as in [Engelfriet 1991], but not in general. However, true branching processes and processes satisfy the good order-theoretic properties which make the safe processes of safe nets so useful in practice, and which are known not to hold for the safe processes of a general net. True processes represent therefore good candidates to generalize the theory of safe nets to the general case.

1. INTRODUCTION

The study of the behavior of models of concurrency usually requires the definition of more abstract models. Within the framework of Petri nets, primarily two models were retained: labeled occurrence nets and event structures. Both models were proposed by Nielsen, Plotkin and Winskel in their foundational paper [10], in order to give a semantic of concurrency for safe Petri nets. The description of a safe Petri net execution is presented by a labeled causal net, called a process. Roughly speaking, causal nets are acyclic Petri nets whose places are without branching. In particular, their places and transitions are partially ordered, and this order, restricted to transitions, induces a partial order on the transition occurrences in the original Petri net. For the representation of conflicts, branching on places is allowed. This leads to the definition of labeled occurrence nets, called branching processes. The set of all the behaviors of the system can be captured by a single branching process, called the unfolding of the system, whose transitions are called events. By restricting the relations of causality and conflict to events, one obtains an event structure called the prime event structure. Since the publication of [10], there have been many attempts to extend these results to general Petri nets.

In these attempts, the focus has often been on using the same classes as in the case of safe nets, namely causal and occurrence Petri nets. Engelfriet [2] restricted his work to 1-valued arc-weights, initially 1-marked Petri nets, and he obtained good algebraic properties on branching processes (a structure of lattice) which led to the concept of unfolding.

For others (e.g. Best and Devillers [1], Meseguer, Montanari and Sassone [8]), markings take arbitrary values and tokens are individualized. As argued in [6], this is contrary to a pure multiset view of general nets, and the systems modelled by Petri nets rarely justify individualizing tokens. Similarly, Haar [4], pursuing Vogler's work [11], proposes an approach which aims at translating general nets into safe nets, by introducing a place for each reachable marking of original places.

The third author was supported by the grant ANR 2010 BLAN 0202 01 FREC.

This not only considerably increases the size of the structure, but it also artificially introduces conflicts between transitions that access a given place. Thus it strongly departs from the intended semantic of nets.

In contrast with these approaches, Hoogers, Kleijn and Thiagarajan [6], propose a new event structure. In this so-called local event structure, tokens are not individualized. Their theory is complete for co-safe nets (see [6]), and it can be extended to the case of general nets. However, it does not present the expected properties in the general case.

In this paper, we propose a more net-theoretic approach, which does not impose to individualize the tokens, and which incorporates the solutions of [1, 2, 8]. Also, we do not make any finiteness assumption on our nets. Our formal framework allows us to identify a new structure, the true unfolding of a net, which allows for the good algebraic properties identified by Engelfriet [2], and which is applicable to general nets.

The starting point of our approach is an extension of the definitions of occurrence nets, which can be arbitrarily valued and non-safe, and of configurations, which are multisets of transitions (or events). Branching processes are defined as occurrence nets labeled by the elements of the original net. The differences between our definitions of occurrence nets and branching processes, and the classical definitions are discussed in Sections 3 and 4; it is important to note that these definitions coincide in the case of safe nets.

The set of branching processes of a net is equipped with a natural order relation, which leads to the definition of unfoldings as maximal branching processes. We identify two classes of branching processes and two types of unfoldings: weakly safe and true, and we show that every net admits a weakly safe and a true unfolding, which are unique up to isomorphism. The weakly safe unfolding coincides with those of [1, 2, 8]. The true unfolding is particularly interesting because of its order-theoretic properties. For safe nets, and more generally under the constraints on the net structure identified by Engelfriet in [2], there exists a unique unfolding, and the concepts of weakly safe and true unfolding coincide. In general however, the two unfoldings differ. The “universality” of the construction which associates a true unfolding to a general Petri net was already studied by Keller in a categorical setting [7], under various finiteness conditions (on the support of the initial marking and on the pre- and postsets of every transition).

In addition, we identify a partial order between the unfoldings of a net N (taken up to isomorphism), and we show that the true unfolding and the weakly safe unfolding of N are, respectively, the minimum and the maximum unfoldings with respect to that partial order.

Finally, we formalize the concept of process in our multiset context. Contrary to other works, our definition is not based on causal nets, but on the concept of a configuration. Again, it turns out that the safe case does not offer good enough properties (*e.g.*, we cannot define the greatest lower bound of two processes). In contrast, the expected properties hold for true processes. This comes from the fact that a true process is represented in a unique way in the true unfolding.

The drawback of these algebraically and order-theoretically satisfactory structures is that the concepts of conflict and causality are not any more explicitly given by the model structure. That is, we lose a direct link with prime event structures, as in [6].

The paper is organized as follows. In Section 2, we fix the notation for nets, homomorphisms of nets and other fundamental objects. Section 3 discusses occurrence nets and configurations. In Section 4, generalized branching processes and unfoldings are introduced. The construction and the properties of the true and the weakly safe unfolding of a net are discussed in Section 5. Finally Section 6 presents the generalized notion of processes, and establishes the order-theoretic properties of true processes. Counter-examples of these properties for safe or weakly safe processes are also presented.

2. PRELIMINARIES

We first summarize the basic notation and concepts used in this paper, concerning multisets and Petri nets. \mathbb{N} denotes the set of non-negative integers.

2.1. Notation. Let X be a set. A *multiset* over X is a mapping $v: X \rightarrow \mathbb{N}$. Multisets are often represented as formal linear combinations, *e.g.* $v = a + 2b$ for $v(a) = 1$, $v(b) = 2$, $v(c) = 0$ for all $c \in X \setminus \{a, b\}$, and it is also convenient to view them as vectors in \mathbb{N}^X . The *support* of the multiset v is the set $\bar{v} = \{x \in X \mid v(x) > 0\}$. Note that the support of a multiset may be infinite. A multiset over a set X can be naturally considered as a multiset over any superset of its support.

The operations of addition and subtraction of multisets over X are defined componentwise, as on vectors (note however that negative coefficients are not allowed). An infinite sum of multisets $v = \sum_{i \in I} v_i$ is said to be *well-defined* if for each $x \in X$, the sum $\sum_{i \in I} v_i(x)$ is finite. If $\sigma = x_1 x_2 \cdots$ is a finite sequence of elements of X , the *characteristic vector* of σ is the multiset $\sigma = \sum_{i=1}^{|\sigma|} x_i$. Multisets are partially ordered by letting $v \leq w$ if $v(x) \leq w(x)$ for each $x \in X$.

If X and Y are sets, a mapping $h: X \rightarrow Y$ can sometimes be extended to multisets, $h: \mathbb{N}^X \rightarrow \mathbb{N}^Y$, by letting $h(v) = \sum_{x \in X} v(x)h(x)$ if the sum is well-defined (that is, if each $y \in Y$ has finitely many pre-images in the support of v). The mapping h can also be extended to sequences of elements of X by letting $h(x_1 x_2 \cdots) = h(x_1)h(x_2) \cdots$.

Let \rightarrow be a relation on the set X , for instance the edge relation of a graph in which X is the set of vertices. We denote by $\overset{*}{\rightarrow}$ (resp. $\overset{\pm}{\rightarrow}$), the reflexive and transitive closure (resp. transitive) of \rightarrow . We also use the following notation: if $Y \subseteq X$,

$$\begin{aligned} \bullet Y &= \{x \in X \mid \exists y \in Y, x \rightarrow y\} & *Y &= \{x \in X \mid \exists y \in Y, x \overset{*}{\rightarrow} y\} \\ Y^\bullet &= \{x \in X \mid \exists y \in Y, y \rightarrow x\} & Y^* &= \{x \in X \mid \exists y \in Y, y \overset{*}{\rightarrow} x\} . \end{aligned}$$

If $Y = \{y\}$, we write simply $\bullet y$, $*y$, y^\bullet and y^* .

When the graph (X, \rightarrow) is *acyclic* (i.e. $x \overset{\pm}{\rightarrow} x$ never holds, for any $x \in X$), the relation $\overset{*}{\rightarrow}$ forms a partial order on a set X .

If (X, \leq) is a partially ordered set and if $Y \subseteq X$, we say that Y is an *order ideal* if $x \in Y$ whenever $x \leq y$ for some $y \in Y$. Moreover, we say that x is a *lower* (resp. *upper*) *bound* of Y if $x \leq y$ (resp. $y \leq x$) for each element $y \in Y$. The *greatest lower bound* (resp. *least upper bound*) of Y , if it exists, is denoted by $\inf(Y)$ (resp. $\sup(Y)$). If any two elements of X admit a greatest lower bound and a least upper bound, X is called a *lattice*. It is a *complete lattice* if any subset of X admits a greatest lower and a least upper bound.

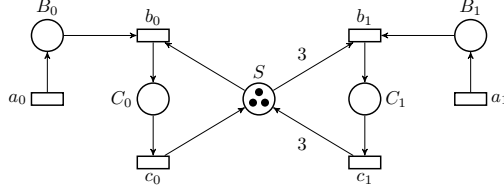


FIGURE 1. Graphical representation of a net modeling a reader/writer system

2.2. Petri net. A *Petri net*, or simply a *net*, is a tuple $N = (P, T, \text{Pre}, \text{Post}, m_0)$ consisting of two disjoint sets P and T whose elements are called *places* and *transitions*, two multisets Pre and Post over $P \times T$ (sometimes called the *flow functions*), and a multiset m_0 over P called the *initial marking*. A *marking* of N is any multiset over P . If t is a transition, the *pre-condition* of t , written $\text{Pre}(t)$, is the marking $\text{Pre}(\cdot, t)$. Similarly, the *post-condition* of t , written $\text{Post}(t)$ is the marking $\text{Post}(\cdot, t)$.

Note that we don't make any finiteness assumption: P or T may be infinite, as well as the support of the initial marking or of the pre- and post-condition of a transition. A net may be viewed as a labelled bipartite graph (the graphical representation of N) as follows: we can identify N with the labeled graph (P, T, \rightarrow, m_0) , where places and transitions are the two disjoint sets of nodes, there is an edge $p \xrightarrow{\text{Pre}(p,t)} t$ (resp. $t \xrightarrow{\text{Post}(p,t)} p$) between the place p and the transition t if $\text{Pre}(p, t)$ (resp. $\text{Post}(p, t)$) is non-zero, and m_0 is a labelling function of the places, traditionally depicted by the presence of $m_0(p)$ tokens in place p .

Example 2.1. Figure 1 represents a net modelling a reader/writer system allowing at most three concurrent readers. We use the classical graphical representation of Petri nets, where places are drawn as circles and transitions as thin rectangles, where the initial marking is indicated by the corresponding number of tokens in each place, and where pre- and post-conditions are indicated by labels on edges. The initial marking of place S allows at most three readers to be simultaneously in place C_0 . Only one reader at a time can access place C_1 , and when she is there, no reader may be in place C_0 .

If t is a transition and m is a marking of N , we say that t is *enabled* by m , written $m[t]$, if $\text{Pre}(t) \leq m$. Firing the transition t in m produces the marking

$$m' = m + \text{Post}(t) - \text{Pre}(t) . \quad (\text{firing equation})$$

and we write $m[t]m'$. The firing equation is extended inductively to any sequence of transitions: if ε is the empty sequence, we let $m[\varepsilon]m$; if σ is a sequence of transitions and if t is a transition, then $m[\sigma t]m'$ if there exists a marking m'' such that $m[\sigma]m''$ and $m''[t]m'$. It is easily verified that if $\sigma = t_1 t_2 \cdots t_n$ and $m[\sigma]m'$, then

$$m' = m + \sum_{i=1}^n \text{Post}(t_i) - \sum_{i=1}^n \text{Pre}(t_i) . \quad (\text{extended firing equation})$$

A transition, or sequence of transitions, is said to be *firable* if it is enabled by the initial marking. A marking m is called *reachable* if there exists a finite sequence of transitions σ such that $m_0[\sigma]m$.

A transition t is called *spontaneous* if $\text{Pre}(t) = 0$, that is, $\bullet t = \emptyset$. A place or a transition x is called *isolated* if $\bullet x = x^\bullet = \emptyset$.

In this paper we will use the following properties of nets. Recall that a marking m is *safe* if $m(p) \leq 1$ for each place p . The net N is said to be

- **weakly safe** if the initial marking m_0 and the pre- and post-condition $\text{Pre}(t)$ and $\text{Post}(t)$ of each transition t are safe markings;
- **safe** if each reachable marking is safe;
- **quasi-live** if every transition is enabled by a reachable marking;
- **acyclic** if the graph representing N is acyclic; in that case, the induced partial order on the set of places and transitions is written \leq .

These notions are classical, see [9], with the exception of weakly safe nets: our definition differs from Engelfriet's [2] in the fact that we allow spontaneous transitions. It is interesting to note that weak safeness is a property that can be easily verified upon reading the definition of a Petri net, whereas deciding safeness requires computing a transitive closure, a notoriously high complexity procedure.

Lemma 2.2. *Every safe and quasi-live Petri net is weakly safe.*

Proof. If N is safe, then the initial marking m_0 is safe. We now verify that the pre- and post-conditions of a transition t of N are safe markings. As we are assuming that t is enabled by some reachable marking, and therefore by a safe marking, the marking $\text{Pre}(t)$ must be safe. For the same reason, since t appears in a sequence of transitions enabled by the initial marking, leading to a safe marking, the marking $\text{Post}(t)$ must be safe as well. This concludes the proof. \square

For further reference, we note the following technical lemma, which belongs to the folklore.

Lemma 2.3. *Let N be an acyclic net, let t be a transition, and let σ be a minimal length firable sequence of transitions enabling t . Then every transition x in σ is such that $x < t$.*

Proof. We first verify that if a marking m enables a sequence of 2 transitions $t_1 t_2$ such that $\neg(t_1 < t_2)$, then m also enables the sequence $t_2 t_1$. Indeed, we have $m \geq \text{Pre}(t_1)$ and $m - \text{Pre}(t_1) + \text{Post}(t_1) \geq \text{Pre}(t_2)$. Moreover, no place in the support of $\text{Post}(t_1)$ is in the support of $\text{Pre}(t_2)$ (otherwise $t_1 < t_2$). Thus $m - \text{Pre}(t_1) \geq \text{Pre}(t_2)$, and this implies $m \geq \text{Pre}(t_2)$ and $m - \text{Pre}(t_2) \geq \text{Pre}(t_1)$. The first inequality shows that m enables t_2 , and the second inequality shows that the marking obtained from m by firing t_2 enables t_1 .

Moreover, in this situation, the extended firing equation shows that the markings obtained after firing the sequences $t_1 t_2$ and $t_2 t_1$ coincide.

Now let $\sigma = t_1 t_2 \cdots t_n$ be a sequence of transitions such that σt is firable and n is minimal. For each $1 \leq j \leq n$, let m_j be the marking such that $m_0 [t_1 \cdots t_j] m_j$. Thus m_{i-1} enables $t_i t_{i+1} \cdots t_n t$ for each i . Now let i be maximal such that $\neg(t_i < t)$. Then $t_j < t$ for each $j > i$, and hence $\neg(t_i < t_j)$. Using repeatedly the statement in the first part of the proof, it follows that m_{i-1} enables $t_{i+1} t_i t_{i+2} \cdots t_n t$, and also $t_{i+1} t_{i+2} t_i \cdots t_n t$, etc, and finally $t_{i+1} \cdots t_n t t_i$, which contradicts the minimality of n . \square

2.3. Homomorphism of nets. Let $N = (P, T, \text{Pre}, \text{Post}, m_0)$ and $N' = (P', T', \text{Pre}', \text{Post}', m'_0)$ be nets. Let $h: P \cup T \rightarrow P' \cup T'$ be a mapping such that $h(P) \subseteq P'$ and $h(T) \subseteq T'$.

We say that h is a *homomorphism of nets* from N to N' (see [2]) if, for each transition $t \in T$, we have

- $\text{Pre}'(h(t)) = h(\text{Pre}(t))$,
- $\text{Post}'(h(t)) = h(\text{Post}(t))$,
- $m'_0 = h(m_0)$.

Observe that in this definition, $h(m_0)$, $h(\text{Pre}(t))$ and $h(\text{Post}(t))$ must be well-defined, that is, the pre-image $h^{-1}(p')$ of each place $p' \in P'$ must have a finite intersection with the support of m_0 and of each pre- and post-condition of a transition of N (see Section 2.1).

We note the following elementary properties of homomorphisms of nets.

Lemma 2.4. *Let $N = (P, T, \text{Pre}, \text{Post}, m_0)$ and $N' = (P', T', \text{Pre}', \text{Post}', m'_0)$ be nets, and let $h: N \rightarrow N'$ be a homomorphism.*

- (1) *Let $p' \in P'$. If $p' \in \overline{m'_0}$, then $h^{-1}(p')$ has at most $m'_0(p')$ elements in $\overline{m_0}$. If $p' \in \bullet h(t)$ for some transition $t \in T$, then $h^{-1}(p') \cap \bullet t$ has at most $\text{Pre}'(p', h(t))$ elements. And if $p' \in h(t)^\bullet$, then $h^{-1}(p') \cap t^\bullet$ has at most $\text{Post}'(p', h(t))$ elements.*
- (2) *If N has finitely many events, then $h^{-1}(p')$ contains a finite number of non-isolated or initially marked places for each place $p' \in P'$.*
- (3) *If m'_0 is safe, then m_0 is safe and h induces a bijection from $\overline{m_0}$ to $\overline{m'_0}$. Similarly, if $t \in T$ and $\text{Pre}'(h(t))$ (resp. $\text{Post}'(h(t))$) is a safe marking, then so is $\text{Pre}(t)$ (resp. $\text{Post}(t)$) and h induces a bijection from $\bullet t$ to $\bullet h(t)$ (resp. from t^\bullet to $h(t)^\bullet$).*
- (4) *If N' is weakly safe, then so is N .*

Proof. To establish Statement (1), we first note that $m'_0(p') = \sum_{h(p)=p'} m_0(p)$, so $h^{-1}(p')$ contains at most $m'_0(p')$ initially marked places. For each transition t of N , $\text{Pre}'(p', h(t)) = \sum_{p=h(p')} \text{Pre}(p, t)$, so $h^{-1}(p') \cap \bullet t$ has at most $\text{Pre}'(p', h(t))$ elements. The reasoning is similar for the postset of t .

The other statements are simple consequences of (1). \square

Proposition 2.5. *Let N and N' be Petri nets and let $h: N \rightarrow N'$ be a homomorphism. Let m be a marking of N such that $h(m)$ is well-defined, let t be a transition of N enabled by m , and let m_1 be the resulting marking, that is, $m [t] m_1$. Then $h(m_1)$ is well-defined and $h(m) [h(t)] h(m_1)$.*

Proof. According to the firing equation, we have $m_1 = m - \text{Pre}(t) + \text{Post}(t)$. The assumption that h is a homomorphism implies that, for each place p' of N' , the sums $\sum_{p \in h^{-1}(p')} \text{Pre}(p, t)$ and $\sum_{p \in h^{-1}(p')} \text{Post}(p, t)$ are well-defined. Similarly, stating that $h(m)$ is well-defined implies that each sum $\sum_{p \in h^{-1}(p')} m(p)$ is well-defined. It follows that

$$h(m_1)(p') = \sum_{p \in h^{-1}(p')} m_1(p) = \sum_{p \in h^{-1}(p')} \left(m(p) - \text{Pre}(p, t) + \text{Post}(p, t) \right)$$

is well-defined, and is equal to

$$h(m_1)(p') = h(m)(p') - \text{Pre}'(p', h(t)) + \text{Post}'(p', h(t)) .$$

That is, $h(m) [h(t)] h(m_1)$. \square

Proposition 2.5 can be extended by induction to sequences of transitions. This yields immediately the following corollary.

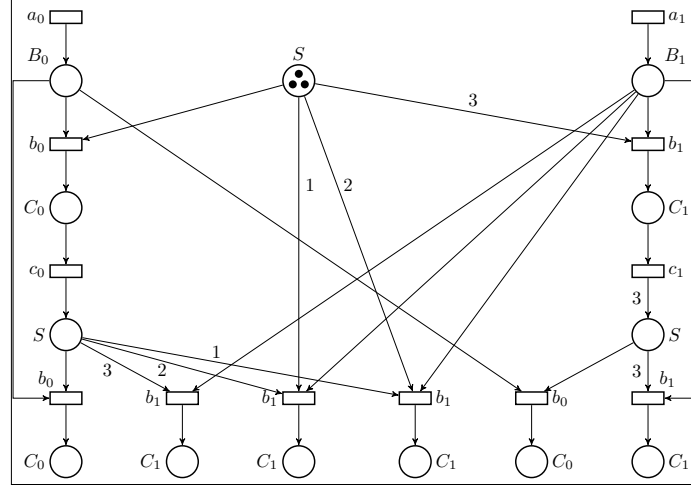


FIGURE 2. Graphical representation of a homomorphism of nets

Corollary 2.6. *Let N and N' be Petri nets and let $h: N \rightarrow N'$ be a homomorphism. The image under h a reachable marking of N is reachable in N' . Moreover, if N' is safe, then N is safe.*

Example 2.7. *Figure 2 shows both a net, say, N (with 12 transitions and 13 places), and a homomorphism from this net to the net N' from Example 2.1. The values labelling the nodes are the images by the homomorphism.*

2.4. Subnets of nets. Let $N = (P, T, \text{Pre}, \text{Post}, m_0)$ and $N' = (P', T', \text{Pre}', \text{Post}', m'_0)$ be nets. We say that N' is a *subnet* of N , and we write $N' \sqsubseteq N$, if $P' \subseteq P$, $T' \subseteq T$, $m_0 = m'_0$ and for each transition t of N' , $\text{Pre}(t) = \text{Pre}'(t)$ and $\text{Post}(t) = \text{Post}'(t)$.

Observe that this definition is different from the sole requirement that $P' \cup T' \subseteq P \cup T$ and Pre' , Post' and m'_0 are the restrictions of Pre , Post and m_0 to the places and transitions of N' : consider for instance the case where N and N' have a single transition t , N' has places p' and q' , and N has places p , q , p' and q' , $m_0 = m'_0 = p'$, $\text{Pre}'(t) = p$, $\text{Pre}(t) = p + p'$, $\text{Post}'(t) = q$, $\text{Post}(t) = q + q'$.

In our definition, a subnet of N is obtained by removing from N some places and transitions, in a way that impacts neither the initial marking, nor the pre- and post-conditions of the remaining transitions. In other words, a subnet is uniquely determined by a set of transitions, the initial marking and, possibly, a set of isolated, non-initially marked places.

3. OCCURRENCE NETS AND CONFIGURATIONS OF A NET

A net N is an *occurrence net* if, for each place $p \in P$,

- either p is initial ($\bullet p = \emptyset$) or it receives its inputs from a single transition ($|\bullet p| = 1$), denoted by $\bullet p$;
- the support of m_0 is exactly the set of initial places ($m_0(p) > 0$ if and only if p is an initial place);
- N is quasi-live (every transition is enabled by some reachable marking).

Occurrence nets were structurally introduced by Nielsen, Plotkin and Winskel [10] in the safe case using concurrency relation over transitions and places. Their definition differs from ours by the fact that it imposes acyclicity and the absence of self-conflicts. We have retained natural structural constraints such as the fact that a place is either initial and initially marked, or unmarked and in the postset of a single transition. Self-conflict is more difficult to handle in a structural way in the setting of general nets and we have introduced the condition of quasi-liveness in the definition in order to “trim” unnecessary transitions. As we will see, acyclicity follows from our definition. Our definition remains simple, and it makes no assumption of safeness or finiteness. It is important to note that the two definitions coincide for safe nets (see subsection 3.1).

3.1. Elementary properties of occurrence nets.

Proposition 3.1. *Let $N = (P, T, \text{Pre}, \text{Post}, m_0)$ be an occurrence net. Then N is acyclic and every vertex of the graph N is preceded by a finite number of transitions. That is, if $x \in P \cup T$, then ${}^*x \cap T$ is finite.*

Proof. As the graph (underlying) N is bipartite, if N has a cycle, then there exists a sequence of places p_0, p_1, \dots, p_{n-1} and a sequence of transitions t_0, t_1, \dots, t_{n-1} such that $\bullet p_i = t_i$ and $t_i \in p_{i-1} \bullet$ for $i = 0, \dots, n$ (where i is taken modulo n). The value at p_i of a marking of N can be modified only by firing transition t_i , and transition t_i is enabled by a marking m only if $m(p_{i-1}) \neq 0$. Finally, as none of the places p_i is initial, the initial marking m_0 is 0 on each p_i : it is now immediately verified, by induction on the length of a firing sequence, that no reachable marking enables any of the transitions t_i , thus contradicting the assumption that N is quasi-live.

Thus N is acyclic. In particular, the set of vertices of the graph N is partially ordered by the relation $\xrightarrow{*}$.

Let $p \in P$ be a place that is not initial: then ${}^*p \cap T = {}^*(\bullet p) \cap T$ by definition of an occurrence net. Thus it suffices to show that ${}^*t \cap T$ is finite for every transition t .

Observe that if $t' \in T$ and $q \in P$ are such that $t' \rightarrow q \rightarrow t$ in N , then $t' = \bullet q$ and t can be fired only after t' was fired. This remark is extended by induction to show that if t' is a transition and $t' \xrightarrow{+} t$, then t' must be fired before t can be fired. As an occurrence net is quasi-live, that is, every transition can appear in a finite sequence of transitions enabled by the initial marking, it follows that the set of transitions in *t is finite. \square

We note the following property of subnets of occurrence nets. A subnet N' of an acyclic net N is a *prefix* of N if $P' \cup T'$ is an order ideal of $P \cup T$.

Lemma 3.2. *Let N be an occurrence net and let N' be a subnet of N . Then N' is an occurrence net if and only if N' is a prefix of N .*

Proof. It is immediate that a prefix of an occurrence net is an occurrence net. Conversely, suppose that $N' \sqsubseteq N$. Then $\text{Pre}(t) = \text{Pre}'(t)$ for each transition t of N' . In particular, if t is a transition of N' and $p \rightarrow t$ in N , then $p \in P'$.

If in addition N' is an occurrence net, consider a place p of N' . If $t \rightarrow p$ in N , then $m_0(p) = 0$. If t is not in N' , then $\bullet p = \emptyset$ in N' , so that $m'_0(p) > 0$, contradicting the equality $m_0 = m'_0$. Thus t is in N' and N' is a prefix of N . \square

For occurrence nets without spontaneous, non-isolated transitions, the distinction between safeness and weak safeness vanishes (see Lemma 2.2). Note that this includes the weakly safe occurrence nets in Engelfriet's definition [2].

Proposition 3.3. *Let N be an occurrence net without spontaneous, non-isolated transitions. Then N is safe if and only if N is weakly safe. Moreover, in a safe occurrence net, a non-spontaneous transition may occur at most once in a firing sequence enabled by the initial marking. Finally, in a safe occurrence net, there can be no self-conflict: that is, if t, t_1, t_2 are transitions with $t_1 \xrightarrow{+} t$ and $t_2 \xrightarrow{+} t$, then $t_1 = t_2$ or $\bullet t_1 \cap \bullet t_2$ is empty.*

Proof. In view of Lemma 2.2, it suffices to show that if N is weakly safe, then it is safe. We consider a marking m of N , reached after firing a sequence of transitions $\sigma = t_1 t_2 \dots t_n$ from the initial marking m_0 , and we denote by m_i the marking reached after firing $t_1 \dots t_i$.

We show that for each place p , there exists $0 \leq i \leq j \leq n + 1$ such that $m_h(p) = 0$ for $h < i$ or $h > j$ and $m_h(p) = 1$ for $i \leq h \leq j$. This shows that m is a safe marking, and hence that N is safe. Moreover, it shows that if t is not a spontaneous transition, then t occurs at most once in σ (by considering a place $p \in \bullet t$). It also shows that, if $\bullet t_1 \cap \bullet t_2$ is not empty, then t_1 and t_2 may not occur in the same firing sequence. In particular, the quasi-liveness condition implies that there is no transition t such that $t_1 \xrightarrow{+} t$ and $t_2 \xrightarrow{+} t$.

The proof is by induction on $|\bullet p \cap T|$, which is finite by Proposition 3.1.

If $|\bullet p \cap T| = 0$, then p is an initial place, so $m_0(p) = 1$ (since m_0 is safe). If the marking of p is not constantly 1, let j be minimal such that $m_{j+1}(p) \neq 1$. Then $m_h(p) = 1$ for $h \leq j$, $\text{Pre}(p, t_{j+1}) \neq 0$ and $m_{j+1}(p) = 0$. Since p is initial, the marking of p remains 0 for the rest of the sequence.

Now assume that $k \geq 1$ and the property holds for all places in whose past there are at most $k - 1$ transitions. Let p be such that $|\bullet p \cap T| = k$. Since p is not initial, we have $m_0(p) = 0$. If the marking of p is not constantly 0, let i be minimal such that $m_i(p) \neq 0$. Then $t_i = \bullet p$ and $m_i(p) = \text{Post}(p, t_i) = 1$ since N is weakly safe. Since t_i is not isolated, it is also not spontaneous and we consider a place $q \in \bullet t_i = \bullet \bullet p$. Since N is acyclic (Proposition 3.1), $t_i \notin \bullet q \subset \bullet p$, so by induction, we find that $m_{i-1}(q) = 1$ (since t_i is enabled after firing $t_1 \dots t_{i-1}$), $m_i(q) = 0$ and $m_h(q) = 0$ for all $h \geq i$. Therefore t_i will never be enabled again (and hence $t_i \neq t_h$ for $h > i$) and $m_h(p) \leq 1$ for all $h \geq i$. Further, if the marking of p does not remain 1 for the rest of the sequence, let j be minimal such that $j \geq i$ and $m_{j+1}(p) \neq 1$. This means that $\text{Pre}(p, t_j) \neq 0$ and $m_{j+1}(p) = 0$ (by acyclicity). And since $t_i = \bullet p$ will not be fired again, we have $m_h(p) = 0$ for all $h > j$. \square

3.2. Configurations. Let N be a Petri net. The multiset of transitions induced by a finite firable sequence of transitions is called a *configuration* of N .

It is not true that, even in an occurrence net, a configuration arises from a unique firable sequence: suppose $P = \{p_1, \dots, p_4\}$, $T = \{t_1, t_2\}$, $m_0 = p_1 + p_2$, $\text{Pre} = (p_1, t_1) + (p_2, t_2)$ and $\text{Post} = (p_3, t_1) + (p_4, t_2)$. Then $t_1 t_2$ and $t_2 t_1$ are distinct firable sequences yielding the same configuration. More generally, transitions with disjoint pre-conditions can be fired in any order.

It follows however immediately from the extended firing equation that if two firable sequences induce the same configuration φ , then they both lead to the same

marking, denoted by $\text{Cut}(\varphi)$. Somewhat abusing definitions, we say that $\text{Cut}(\varphi)$ is the marking reached after firing the vector (or the configuration) φ .

Configurations of acyclic nets are characterized as follows ([9] for the case of finite nets).

Proposition 3.4. *Let N be a Petri net and let φ be a multiset over T . If φ is a configuration, then the support of φ is finite and, for each place $p \in P$, we have*

$$(1) \quad m_0(p) - \sum_{t \in T} \text{Pre}(p, t) \cdot \varphi(t) + \sum_{t \in T} \text{Post}(p, t) \cdot \varphi(t) \geq 0 .$$

If N is acyclic and φ is a finite support multiset over T satisfying Equation (1) for all places p , then φ is a configuration.

Proof. If φ is a configuration of the Petri net N , then the support of φ is trivially finite, and for each place p , $\text{Cut}(\varphi)(p) \geq 0$: that is exactly the statement in Equation (1).

We now assume that N is acyclic, φ has finite support and Equation (1) holds for each place p . We proceed by induction on the value of $\sum_{t \in T} \varphi(t)$. The empty multiset is certainly a configuration, since it is the sum of the terms of the empty sequence of transitions. Now we assume that $\varphi \neq 0$. The relation \rightarrow^* is a partial order by assumption, and we consider a transition s maximal in the support of φ and the multiset ψ such that $\psi + s = \varphi$. Of course, ψ has finite support.

Let $m_\psi(p) = m_0(p) - \sum_{t \in T} \text{Pre}(p, t) \cdot \psi(t) + \sum_{t \in T} \text{Post}(p, t) \cdot \psi(t)$. Then Equation (1) states that

$$m_\psi(p) - \text{Pre}(p, s) + \text{Post}(p, s) \geq 0 .$$

We want to show that $m_\psi(p) \geq 0$ for each place p . If $\text{Post}(p, s) = 0$, then $m_\psi(p) \geq \text{Pre}(p, s) \geq 0$. If $\text{Post}(p, s) \neq 0$, then $s \in \bullet p$, and since s is maximal in the support of φ , $\text{Pre}(p, t) = 0$ for each transition t in the support of φ . In particular,

$$m_\psi(p) = m_0(p) + \sum_{t \in T} \text{Post}(p, t) \cdot \psi(t) \geq m_0(p) \geq 0 .$$

We can now use the induction hypothesis to see that ψ is a configuration – and hence, $m_\psi = \text{Cut}(\psi)$. We already noticed that if $\text{Post}(p, s) = 0$, then $m_\psi(p) \geq \text{Pre}(p, s)$. Moreover, if $\text{Post}(p, s) \neq 0$, then $\text{Pre}(p, s) = 0$ by acyclicity and again, we have $m_\psi(p) \geq \text{Pre}(p, s)$. Thus the transition s is enabled by the marking $\text{Cut}(\psi)$ and $\varphi = \psi + s$ is a configuration. \square

In view of the specific properties of occurrence nets, Proposition 3.4 yields the following corollary.

Corollary 3.5. *Let N be an occurrence net and let φ be a multiset over T . Then φ is a configuration of N if and only if φ has finite support and for each place $p \in P$, we have*

$$\begin{aligned} m_0(p) &\geq \sum_{t \in T} \text{Pre}(p, t) \cdot \varphi(t) && \text{if } p \text{ is an initial place,} \\ \text{Post}(p, \bullet p) \cdot \varphi(\bullet p) &\geq \sum_{t \in T} \text{Pre}(p, t) \cdot \varphi(t) && \text{otherwise.} \end{aligned}$$

We also verify that, as in the safe case, under a mild assumption, each reachable marking of an occurrence net is reached after firing a uniquely determined configuration – thus generalizing a property of occurrence nets in the classical setting.

Proposition 3.6. *Let N be an occurrence net such that $t^\bullet \neq \emptyset$ for each transition t , and let m be a reachable marking. Then there exists a unique configuration φ of N such that $m = \text{Cut}(\varphi)$.*

Proof. Since m is a reachable marking, it is reached after firing a sequence σ , and $m = \text{Cut}(\varphi)$, where φ is the configuration induced by σ . We denote by $|\varphi|$ the cardinality of the support of φ .

We want to show that $\text{Cut}(\varphi) = \text{Cut}(\varphi')$ implies $\varphi = \varphi'$. Without loss of generality, we may assume that $|\varphi| \geq |\varphi'|$. We proceed by induction on $|\varphi|$. If $|\varphi| = 0$, then φ and φ' are both equal to the empty configuration and the equality $\varphi = \varphi'$ holds.

Let us now consider configurations φ and φ' such that φ is not empty and $m = \text{Cut}(\varphi) = \text{Cut}(\varphi')$. Let s be a maximal transition in the support of φ (using the acyclicity of occurrence nets). Then the places in s^\bullet are in the support of m , and as these places may receive tokens only from s , s must be also in the multiset φ' . For the same reason, s is maximal in the support of φ' . Moreover, for each place $p \in s^\bullet$, $m(p) = \varphi(s) = \varphi'(s)$, so φ and φ' contain the same number of occurrences of s .

Let ψ and ψ' be the multisets obtained from φ and φ' by removing all occurrences of s . Corollary 3.5 shows that ψ and ψ' are configurations as well: indeed, in the first inequality, the left-hand side remains constant and the right-hand side may only decrease when going from φ to ψ (resp. from φ' to ψ'); the same situation holds in the second inequality, except for the places $p \in s^\bullet$, but for these places, the right-hand side is zero since s is maximal and N is acyclic.

The maximality of s in the support of φ implies that any firing sequence σ which induces the configuration φ can be rearranged in the form $\sigma_1\sigma_2$ where σ_2 consists of $\varphi(s)$ occurrences of s . In particular, the configuration induced by σ_1 is ψ and it follows from the extended firing equation that

$$\text{Cut}(\psi) = m + \text{Pre}(s) \cdot \varphi(s) - \text{Post}(s) \cdot \varphi(s).$$

Similarly, $\text{Cut}(\psi') = m + \text{Pre}(s) \cdot \varphi'(s) - \text{Post}(s) \cdot \varphi'(s)$ and hence, $\text{Cut}(\psi) = \text{Cut}(\psi')$. We conclude by induction that $\psi = \psi'$, and since $\varphi(s) = \varphi'(s)$, we have $\varphi = \varphi'$. \square

Remark 3.7. *The same uniqueness result holds (with essentially the same proof) for any acyclic net such that $t^\bullet \neq \emptyset$ for each transition t and $|\bullet p| \leq 1$ for each place p .*

4. BRANCHING PROCESSES AND UNFOLDINGS OF A NET

We now discuss the branching processes and the unfoldings of a net [2], within the framework developed in this paper. As with occurrence nets, we need to revisit the classical definition of a branching process: our definition makes no reference to the notion of conflict, and accounts for the fact that a condition may receive several tokens and an event may occur several times. Bowing to tradition, occurrence nets in branching processes will be usually written $S = (B, E, \text{In}, \text{Out}, q_0)$, their transitions will be called *events* and their places will be called *conditions*.

4.1. Branching processes. A *branching process* of a net N is a pair (S, h) consisting of an occurrence net $S = (B, E, \text{In}, \text{Out}, q_0)$ and a homomorphism $h: S \rightarrow N$ satisfying a guarded form of injectivity: whenever e and e' are events of S ,

$$\text{if } \text{In}(e) = \text{In}(e') \text{ and } h(e) = h(e') \text{ then } e = e' .$$

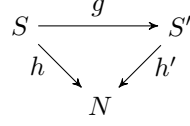


FIGURE 3. $g: (S, h) \rightarrow (S', h')$ is a homomorphism of branching processes

The branching process (S, h) is called *safe* (resp. *weakly safe*) if S is safe (resp. *weakly safe*).

We introduce a new property of branching processes. We say that (S, h) is *true* if h is injective on $\overline{q_0}$, the support of the initial marking of S , and on the post-set e^\bullet of each event e of S .

Example 4.1. *The net presented in Figure 2 is an occurrence net. With the homomorphism shown in the figure, it constitutes a true branching process of the net from Example 2.1.*

Let (S, h) and (S', h') be branching processes of N and let $g: S \rightarrow S'$ be a homomorphism of nets. We say that g is a *homomorphism of branching processes* if $h = h' \circ g$, see Figure 3, and we write $g: (S, h) \rightarrow (S', h')$. We will use the following technical properties of homomorphisms of branching processes.

Lemma 4.2. *Let S and S' be occurrence nets, $h: S \rightarrow N$, $h': S' \rightarrow N$ and $g: S \rightarrow S'$ be homomorphisms such that $h = h' \circ g$ and assume that (S', h') is a branching process of N .*

- (1) *(S, h) is a branching process of N if and only if (S, g) is a branching process of S' .*
- (2) *If (S', h') is true, then (S, h) is a true branching process of N if and only if (S, g) is a true branching process of S' .*
- (3) *If (S', h') is true, then g is the only net homomorphism from S to S' .*
- (4) *If (S, h) and (S', h') are true branching processes, then g is injective.*

Proof. Let $S = (B, E, \text{In}, \text{Out}, q_0)$, $S' = (B', E', \text{In}', \text{Out}', q'_0)$ and let e, e' be events of S such that $\text{In}(e) = \text{In}(e')$. We first assume that (S, h) is a branching process of N and that $g(e) = g(e')$. Then $h(e) = h'(g(e))$ and $h(e') = h'(g(e'))$ are equal: as (S, h) is a branching process, it follows that $e = e'$. Thus (S, g) is a branching process.

Conversely, suppose that (S, g) is a branching process and $h(e) = h(e')$. Since g is a homomorphism, we have $\text{In}'(g(e)) = g(\text{In}(e))$ and $\text{In}'(g(e')) = g(\text{In}(e'))$, so that $\text{In}'(g(e)) = \text{In}'(g(e'))$. Moreover, $h'(g(e)) = h(e) = h(e') = h'(g(e'))$: since (S', h') is a branching process, we have $g(e) = g(e')$, and since (S, g) is a branching process as well, we have $e = e'$, which concludes the proof of Property (1).

The verification of the preservation of true branching processes, that is, of Property (2), is analogous.

We now turn to Property (3) and we assume that (S', h') is true. If $b \in \overline{q_0}$, then $h(b) = h'(g(b)) = h'(g'(b))$ with $g(b), g'(b) \in \overline{q'_0}$, and since h' is injective on $\overline{q'_0}$, we have $g(b) = g'(b)$. Thus g and g' coincide on $\overline{q_0}$, a prefix of S . Let I be a maximal prefix of S on which g and g' coincide (the existence of such a prefix is ensured either by an application of Zorn's lemma) and let e be an event of $S \setminus I$. Since e has finitely many transitions in its past (Proposition 3.1), we may choose e

such that $\bullet e \subseteq I$. Then $\text{In}'(g(e)) = g(\text{In}(e)) = g'(\text{In}(e)) = \text{In}'(g'(e))$. We also have $h'(g(e)) = h(e) = h'(g'(e))$, and hence $g(e) = g'(e)$ since (S', h') is a branching process. Moreover, if $b \in e^\bullet$, then $h'(g(b)) = h(b) = h'(g'(b))$, and since h' is injective on $g(e)^\bullet$, we have $g(b) = g'(b)$. Thus g and g' coincide on the prefix $I \cup \{e\} \cup e^\bullet$ of S , a contradiction. Therefore $I = S$, that is, $g = g'$.

Finally, we verify Property (4), assuming that both (S, h) and (S', h') are true branching processes. Let $b_1 \in \overline{q_0}$. Then $g(b_1) \in \overline{q'_0}$. If b_2 is a condition of S such that $g(b_2) = g(b_1)$, then $b_2 \in \overline{q_0}$: if it is not the case, then S has an event $e = \bullet b_2$ and $g(b_1) = g(b_2) \in g(e)^\bullet$, a contradiction. By Property (2), (S, g) is true, so g is injective on $\overline{q_0}$ and hence $b_1 = b_2$.

As in the verification of Property (3), let I be a maximal prefix of S such that $g^{-1}(g(x))$ for every $x \in I$. Let e be an event of $S \setminus I$, which we may choose such that $\bullet e \subseteq I$. Then there exists an event e' such that $g(e) = g(e')$. Since $\text{In}'(g(e)) = g(\text{In}(e)) = g(\text{In}(e'))$, the hypothesis on I implies that $\text{In}(e) = \text{In}(e')$. Since (S, g) is a branching process of S' (by Property (1)), it follows that $e = e'$.

Moreover, let $b \in e^\bullet$ and let b' be a condition such that $g(b) = g(b')$. Then $b' \notin \overline{q'_0}$ (by the argument developed above). In particular, we have $g(\bullet b') = g(\bullet b) = g(e)$ and, as we just saw, it follows that $\bullet b' = e$. But g is injective on e^\bullet , which contains both b and b' , so $b = b'$. The consideration of the prefix $I \cup \{e\} \cup e^\bullet$ contradicts the maximality of I , and therefore g is injective on S . \square

4.2. Unfoldings of a net. We extend the natural partial order on the subnets of a net to branching processes to the following quasi-order (see [2]): we say that $(S, h) \preceq (S', h')$ if there exists an injective homomorphism of branching processes from (S, h) to (S', h') . In view of Lemma 3.2, this is equivalent to stating that (S, h) is isomorphic to a prefix of (S', h') .

A \preceq -maximal branching process of N is called an *unfolding* of N . The following characterization of unfoldings plays a major rôle in the sequel. We say that a marking v of a net is *covered* if there exists a reachable marking m such that $v \leq m$.

Proposition 4.3. *A branching process (S, h) of a net N is an unfolding if and only if the following property holds:*

(\dagger) *if t is a transition of N such that $\text{Pre}(t) = h(v)$ for some marking v covered in S , then there exists an event e of S such that $h(e) = t$ and $\text{In}(e) = v$.*

Proof. Let us first assume that (S, h) satisfies Property (\dagger) and let (S', h') be a branching processes of N such that $(S, h) \preceq (S', h')$. We want to show that (S, h) and (S', h') are isomorphic. Without loss of generality, we may assume that (S, h) is a prefix of (S', h') , that is, $S \sqsubseteq S'$, and we show that $S = S'$.

We first verify that if S and S' contain the same events, then they also contain the same conditions, and hence they are equal. Indeed, the assumption that $S \sqsubseteq S'$ implies that S and S' have the same initial conditions and that, for each event e of S , S contains all the conditions of S' which are in $\bullet e$ or e^\bullet ; finally the definition of occurrence nets implies that all the conditions of S' are either initial or in the postset of an event.

Thus if $S \neq S'$, there is an event e' of S' not in S . In the acyclic net S' , we can choose e' to be \leq -minimal (by Proposition 3.1).

Since S' is quasi-live, there exists a firable sequence of events σ such that the sequence $\sigma e'$ is firable; in addition, σ can be assumed to consist only of events that are \leq -less than e' (by Lemma 2.3). By minimality of e' , σ is also a firable sequence of S and in particular, the conditions in $\text{In}'(e')$ are in S . If v is the marking reached after the firing of σ in S' , $m'_0[\sigma]v$, then the support of v is in S by definition of subnets, so that $m_0[\sigma]v$ in S as well.

Now, $\text{Pre}(h'(e')) = h'(\text{In}'(e'))$ and $\text{In}'(e')$ is covered by the marking v , which is reachable in S . By Property (\dagger), there exists an event e of S such that $h(e) = h'(e')$ and $\text{In}(e) = \text{In}'(e')$. But h is a restriction of h' , so $h'(e) = h'(e')$ and, by definition of a branching process, we get $e = e'$, a contradiction. Thus, if (S, h) satisfies Property (\dagger), then (S, h) is \preceq -maximal among the branching processes of N , that is, (S, h) is an unfolding of N .

Conversely, let us assume that (S, h) does not satisfy Property (\dagger), that is, there exists a transition t of N which does not lie in $h(S)$, such that $\text{Pre}(t) = h(v)$ for some marking v of S , which is covered in S . Then there exists a firable sequence of S , σ , such that $v \leq \text{Cut}(\sigma)$. Let us construct a new net S' by adding to S one new event, say e , and a set Q of new conditions, equipped with a bijection θ onto the support of $\text{Post}(t)$. We let $\text{Out}'(e) = \sum_{q \in Q} \text{Post}(\theta(q), t)q$, $\text{In}'(e) = v$, and for each event f of S , $\text{In}'(f) = \text{In}(f)$ and $\text{Out}'(f) = \text{Out}(f)$. We also consider the extension h' of the homomorphism h given by $h'(e) = t$ and $h'(q) = \theta(q)$ for each $q \in Q$. In order to conclude, we need to verify that (S', h') is a branching process of N and h is the restriction of h' to S , which is immediate. This shows that (S, h) is not \preceq -maximal, and hence not an unfolding. \square

We note the following applications of Proposition 4.3, which express important properties of unfoldings. The first one states that unfoldings simulate all the firable sequences of a net, the second one deals with homomorphisms between unfoldings, and the last one considers unfoldings of unfoldings.

Corollary 4.4. *Let (S, h) be an unfolding of the net N . If σ is a firable sequence of N , then there exists a firable sequence ρ of S such that $h(\rho) = \sigma$.*

Proof. Let $N = (P, T, \text{Pre}, \text{Post}, m_0)$ and $S = (B, E, \text{In}, \text{Out}, q_0)$. We first observe the following elementary fact: let m be a multiset over P and v be a multiset over B such that $m \leq h(v)$. Then there exists a multiset v' over B such that $m = h(v')$ and $v' \leq v$. Indeed, for each $p \in P$, we have $m(p) \leq h(v)(p) = \sum_{b \in B, h(b)=p} v(b)$: one can choose, for each $b \in B$ such that $h(b) = p$, a value $0 \leq v'(b) \leq v(b)$ such that $m(p) = \sum_{b \in B, h(b)=p} v'(b)$.

We now proceed by induction on the length n of σ . If $n = 0$, the statement is trivially true. We now assume that $\sigma = \sigma' t$ and we let w be the marking such that $m_0[\sigma']w$. Since σ is firable, $\text{Pre}(t) \leq w$. And by induction hypothesis, there exists a firable sequence ρ' of S such that $h(\rho') = \sigma'$. In particular, if $q_0[\rho']v$, we have $w = h(v)$ and hence $\text{Pre}(t) \leq h(v)$. As verified above, it follows that $\text{Pre}(t) = h(v')$ for some multiset $v' \leq v$. In particular, v' is covered in S and by Proposition 4.3, there exists an event e of S such that $h(e) = t$ and $\text{In}(e) = v'$. Therefore, the event e is enabled by the marking v and hence the sequence $\rho = \rho' e$ is firable, which concludes the proof. \square

Corollary 4.5. *Every homomorphism between unfoldings of a net is surjective.*

Proof. Let $g: (S, h) \rightarrow (S', h')$ be a homomorphism between two unfoldings of a net N . Since S' is quasi-live, every event occurs in a firing sequence enabled by its

initial marking. So in order to establish that g is surjective on events, it suffices to show that for each such firing sequence σ' , S has a firing sequence σ , enabled by its initial marking, and such that $g(\sigma) = \sigma'$. We proceed by induction on the length of σ' .

If σ' is the empty sequence, it suffices to take σ equal to the empty sequence. Suppose now that $\sigma' = \tau'e'$, and let m' be the marking reached after firing τ' . In particular, $v' = \text{In}(e')$ is covered by m' . By induction, there exists a firing sequence τ in S such that $g(\tau) = \tau'$: the marking reached after firing τ is $m = g(m')$. Then there exists a marking v of S such that $g(v) = v'$ and v is covered by m .

Moreover $\text{Pre}(h'(e')) = h'(v') = h(v)$ and Proposition 4.3 shows that there exists an event e in S such that $h(e) = h'(e')$ and $\text{In}(e) = v$. Then $\text{In}(g(e)) = g(v) = \text{In}(e')$ and $h'(e') = h'(g(e))$: by definition of a branching process, $g(e) = e'$.

Thus g is surjective on events, and therefore also on the set of non-isolated conditions. In occurrence nets, the only isolated places are in the support of the initial marking, and every homomorphism is surjective on that set. This concludes the proof. \square

Corollary 4.6. *If (S, h) is an unfolding of a net N and (S', g) is an unfolding of S , then $(S', h \circ g)$ is an unfolding of N .*

Proof. By Proposition 4.3, it suffices to show that if t is a transition of N and $\text{Pre}(t) = h \circ g(v')$ for a marking v' that is covered in S' , then there exists an event e' of S' such that $h \circ g(e') = t$ and $\text{In}(e') = v'$. Then $g(v')$ is covered in S , so there exists an event e of S such that $h(e) = t$ and $\text{In}(e) = g(v')$ (by Proposition 4.3, since (S, h) is an unfolding). And since (S', g) is an unfolding of S , there exists an event e' of S' such that $g(e') = e$ and $\text{In}(e') = v'$ (Proposition 4.3 again). Then $h \circ g(e') = t$, which concludes the proof. \square

4.3. Quasi-order on branching processes and isomorphism. In this section, we investigate the equivalence relation induced by the quasi-order \preceq . We show that \preceq -equivalent unfoldings of a net N are isomorphic. We need an additional (but reasonable) hypothesis to establish the same result for all the branching processes of N .

Proposition 4.7. *If (S, h) and (S', h') are unfoldings of a net N and if $(S, h) \preceq (S', h')$, then (S, h) and (S', h') are isomorphic.*

Proof. By definition, there exists an injective homomorphism $g: (S, h) \rightarrow (S', h')$. By Corollary 4.5, g is surjective. Therefore g is an isomorphism. \square

We say that a net has *finite preconditions* if the multisets $\text{Pre}(t)$ (for every transition t) have finite support. We show in Corollary 4.11 that, under this assumption, \preceq -equivalent branching processes are isomorphic. We first record several technical results, the first of which is immediate from the definition.

Lemma 4.8. *Let $h: N \rightarrow N'$ be a homomorphism of nets. If N' has finite preconditions, then so does N . The converse holds if h is onto.*

Proposition 4.9. *Let (S, h) and (S', h') be branching processes of a net N with finite preconditions. If S contains finitely many events and $(S, h) \preceq (S', h')$, then (S', h') has only a finite number of prefixes that are isomorphic to (S, h) .*

Proof. We may assume without loss of generality that (S, h) is actually a prefix of (S', h') . We proceed by induction on the cardinality of the set of events in S . If

S contains no events, then S must be the unique eventless prefix of S' , namely the support of the initial marking.

Now suppose that S has at least one event, let e be a maximal event in S and let S_e be the prefix of S obtained by removing e and e^\bullet from S . By induction, S' has a finite collection of prefixes that are isomorphic to S_e . Let (S'', h'') be such a prefix: it suffices to show that (S'', h'') can be extended in only finitely many ways to a prefix isomorphic to (S, h) . Such an extension is determined by the addition of an event e' of S' such that the support of $\text{In}'(e')$ is contained in S'' and $h'(e') = h(e)$. For each condition b in the support of $\text{In}(e)$, we have seen (Lemma 2.4 (2)) that $h^{-1}(h(b))$ is finite. Since $\text{In}(e)$ has finite support, there are only finitely many sets of places in S'' which can occur in the support of $\text{In}'(e')$, and we conclude using the guarded injectivity in the definition of a branching process. \square

Example 4.10. *A counter-example to the statement of Proposition 4.9 when the net does not have finite preconditions is as follows. Let N be the net with places p_1, p_2, \dots , each initially marked with 2 tokens, and a single transition t with $\text{Pre}(t) = \sum_{i \geq 1} 1 \cdot p_i$. Let (S', h') be the branching process of N with conditions $\{b(i, 1), b(i, 2) \mid i \geq 1\}$, all of them initially marked 1, with $h'(b(i, 1)) = h'(b(i, 2)) = p_i$; the events of S' are the (uncountably many) e_X , where $X = (X(i))_{i \geq 1}$ is a sequence with values in $\{1, 2\}$, and $\text{In}'(e_X) = \sum_{i \geq 1} 1 \cdot b(i, X(i))$. If Y is the sequence constantly equal to 1 and S contains the conditions of S' and the single event e_Y , then $(S, h) \sqsubseteq (S', h')$ and a branching process of N , which is isomorphic to uncountably many prefixes of (S', h') , namely all the prefixes containing all the conditions and a single event.*

The following corollary extends the result of Proposition 4.7.

Corollary 4.11. *Let (S, h) and (S', h') be branching processes of a net N with finite preconditions. If $(S, h) \preceq (S', h')$ and $(S', h') \preceq (S, h)$, then (S, h) and (S', h') are isomorphic.*

Proof. Again, we may assume that (S, h) is a prefix of (S', h') . In addition, there exists an injective homomorphism $g: (S', h') \rightarrow (S, h)$. We want to show that g is an isomorphism, that is, g is onto. Let e be an event in S and let S_e be the least prefix of S containing e . Note that S_e contains finitely many events (namely the transitions in the past of e). By the first statement, there are finitely many prefixes of S' that are isomorphic to S_e , and therefore the injective homomorphism g induces a permutation of these prefixes. In particular, $S_e = g(S'_e)$ for one such prefix S'_e and hence $e \in g(S')$. \square

5. TRUE UNFOLDING AND WEAKLY SAFE UNFOLDING OF A NET

The main results of this section, Theorems 5.2 and 5.6, show the existence and the unicity (up to isomorphism) of true and weakly safe unfoldings.

5.1. The true case. We first record a crucial property of true unfoldings.

Proposition 5.1. *Let (S, h) be a branching process of a net N and let (S', h') be a true unfolding of N . Then there exists a unique homomorphism $g: (S, h) \rightarrow (S', h')$.*

Proof. We first establish the result when S has finitely many events, proceeding by induction on the number of events in S . If S has no event, S coincides with its set of initial conditions, which is mapped by h to the support of m_0 . And by definition

of true branching processes, h' establishes a bijection between the supports of q'_0 and m_0 : the announced homomorphism is thus uniquely determined.

Let us now assume that S contains some events, and let e be a maximal event of S . Let S_e be the prefix of S obtained by removing e and e^\bullet . In particular the support of $\text{In}(e)$ is contained in S_e , and the marking $\text{In}(e)$ is covered by a reachable marking of S_e (since S is quasi-live). By induction, there exists a homomorphism $g: (S_e, h) \rightarrow (S', h')$. Moreover, by Proposition 4.3, there exists an event e' of S' such that $h'(e') = h(e)$ and $\text{In}(e') = g(\text{In}(e))$. We can now extend the homomorphism g to S by letting $g(e) = e'$ and, for each condition $b \in e^\bullet$, $g(b) = h'^{-1}(h(b)) \cap e'^\bullet$ (which is well defined since the true unfolding (S', h') establishes a bijection between e'^\bullet and $h(e)^\bullet$).

Now let (S, h) be an arbitrary branching process. For each element x of S , event or condition, let S_x be the least prefix of S containing x . Then S_x contains finitely many events (Proposition 3.1) and hence, there exists a homomorphism $g_x: (S_x, h) \rightarrow (S', h')$, and we let $g(x) = g_x(x)$. In order to show that g is a homomorphism, it suffices to show that the restriction of g to S_x is exactly g_x , for every x . Let then y be an element of S_x . We have $S_y \sqsubseteq S_x$ and two homomorphisms are defined from (S_y, h) to (S', h') , namely g_y and the restriction of g_x to S_y . Lemma 4.2 (3) guarantees that these two homomorphisms coincide, which concludes the verification that g is a homomorphism.

Lemma 4.2 (3) again establishes the uniqueness of g . \square

We can now state and prove the following theorem.

Theorem 5.2. *Every net N has a true unfolding $\mathcal{B}_{\text{true}}$, which is unique up to isomorphism. In addition, every branching process (S, h) of N admits a homomorphism to $\mathcal{B}_{\text{true}}$, and every true branching process satisfies $(S, h) \preceq \mathcal{B}_{\text{true}}$.*

Proof. Let $N = (P, T, \text{Pre}, \text{Post}, m_0)$. We first consider the net S_0 , whose condition set is \bar{m}_0 , with initial marking m_0 , and without any event. Then S_0 is an occurrence net and if h_0 is the identity map on \bar{m}_0 , then (S_0, h_0) is a true branching process of N .

Suppose that we have constructed a sequence $(S_i, h_i)_{i \leq n}$ of true branching processes, such that $(S_i, h_i) \sqsubseteq (S_j, h_j)$ whenever $i < j$. By definition, S_i is a subnet (and a prefix) of S_j and h_i is the restriction to S_i of h_j . A new net S_{n+1} is constructed from S_n as follows.

For each transition t of N and for each marking v of S_n , covered in S_n , such that $\text{Pre}(t) = h_n(v)$, and such that S_n has no event e with $h_n(e) = t$ and $\text{In}_n(e) = v$, we add to S_n a new event e , and a set of new conditions Q , equipped with a bijection θ onto the support of $\text{Post}(t)$ (e and the set Q depend on the choice of t and v). Then we extend the mappings In_n and Out_n by letting $\text{In}_{n+1}(e) = v$ and $\text{Out}_{n+1}(e) = \sum_{q \in Q} \text{Post}(\theta(q), t)q$ for each new event. We also extend h_n by letting $h_{n+1}(e) = t$ for each new event e , and $h_{n+1}(q) = \theta(q)$ for each new condition q . It is immediate that the resulting net S_{n+1} is an occurrence net, that the pair (S_{n+1}, h_{n+1}) is a true branching process of N , and that $(S_n, h_n) \sqsubseteq (S_{n+1}, h_{n+1})$.

Note that S_{n+1} may not be defined (if no pair (t, v) as above can be identified in S_n), in which case the sequence $(S_i, h_i)_i$ is finite. In general however, this is an infinite increasing sequence of true branching processes of N . In any case, let $\mathcal{B}_{\text{true}} = (B, E, \text{In}, \text{Out}, q_0)$ be the union of the S_i , that is, $B = \bigcup_{i \in I} B_i$ and $E = \bigcup_{i \in I} E_i$, with $\text{In}(e) = \text{In}_i(e)$ and $\text{Out}(e) = \text{Out}_i(e)$ if $e \in E_i$. The mappings

$h_{\text{true}}: B \rightarrow P$ and $h_{\text{true}}: E \rightarrow T$ are defined similarly, by letting $h_{\text{true}}(x) = h_i(x)$ whenever x occurs in S_i . Again, it is easily verified that $(\mathcal{B}_{\text{true}}, h_{\text{true}})$ is a true branching process of N . We now verify that it is an unfolding, using Condition (†) in Proposition 4.3.

Let t be a transition of N such that $\text{Pre}(t) = h_{\text{true}}(v)$ for some marking v covered in $\mathcal{B}_{\text{true}}$. Then v is covered in some S_n and $\text{Pre}(t) = h_n(v)$. By construction, there exists an event e in S_n or in S_{n+1} such that $h_{n+1}(e) = t$ and $\text{In}_{n+1}(e) = v$. In particular $h_{\text{true}}(e) = t$ and $\text{In}(e) = v$, so Condition (†) holds and $(\mathcal{B}_{\text{true}}, h_{\text{true}})$ is an unfolding.

Let now (S, h) be a branching process of N . By Proposition 5.1, there exists a homomorphism $g: (S, h) \rightarrow \mathcal{B}_{\text{true}}$. If (S, h) is true, then g is injective by Lemma 4.2, that is, $(S, h) \preceq \mathcal{B}_{\text{true}}$. Finally, if (S, h) is another true unfolding, we conclude by Proposition 4.7. \square

Theorem 5.2 and Lemma 4.2 (3) and (4) imply the following illuminating observation.

Corollary 5.3. *Each true branching process of a net N is isomorphic to a single prefix of the true unfolding of N .*

Corollary 5.3 shows the following, more detailed order-theoretic result.

Proposition 5.4. *The set of true branching processes of a net N forms a complete lattice.*

Proof. Let $(S_i, h_i)_{i \in I}$ be a family of true branching processes of N . By Corollary 5.3, each S_i can be identified with a subnet (and hence a prefix, Lemma 3.2) of $\mathcal{B}_{\text{true}}$. The announced result now follows from the fact that prefixes of a net, and ultimately ideals of an ordered set, form a complete lattice. \square

5.2. The weakly safe case. We get a result analogous to Theorem 5.2 on the existence of a weakly safe unfolding, but the order-theoretic properties of safe branching processes are less strong than for true branching processes.

Proposition 5.5. *Let (S, h) be a weakly safe branching process of a net N and let (S', h') be a weakly safe unfolding of N . Then $(S, h) \preceq (S', h')$.*

Proof. Let S_n be the least prefix of S containing the events with at most n transitions in their past. Then $S_n \sqsubseteq S_{n+1}$ and S is the union of the S_n by Proposition 3.1.

S_0 coincides with q_0 , the initial conditions of S , which is mapped by h to m_0 . Similarly, h' maps the initial conditions q'_0 of S' to m_0 : thus, for every initial place p of N , $h^{-1}(p)$ and $h'^{-1}(p)$ have the same number of elements, namely $m_0(p)$, and one can define accordingly an injective homomorphism $g: (S_0, h) \rightarrow (S', h')$.

Let us now assume that $g: (S_{n-1}, h) \rightarrow (S', h')$ is an injective homomorphism and let e be an event of S_n not in S_{n-1} . Then the support of $\text{In}(e)$ is contained in S_{n-1} and the marking $v = \text{In}(e)$ is covered by a reachable marking of S_{n-1} (since S is quasi-live). Since $\text{Pre}(h(e)) = h(v) = h'(g(v))$, Proposition 4.3 shows that there exists an event e' of S' such that $h'(e') = h(e)$ and $\text{In}(e') = g(v)$. This event is unique, by definition of a branching process and we let $g(e) = e'$.

Now h (resp. h') maps e^\bullet (resp. e'^\bullet) to $h(e)^\bullet$. For each place p in $h(e)^\bullet$, the sets $h^{-1}(p) \cap e^\bullet$ and $h'^{-1}(p) \cap e'^\bullet$ have the same cardinality, namely $\text{Post}(p, h(e))$ (since S and S' are weakly safe), and g can be extended accordingly to an injective homomorphism from (S_n, h) to (S', h') .

Since S is the union of the S_n (Proposition 3.1), this establishes the existence of an injective homomorphism from (S, h) to (S', h') , and hence $(S, h) \preceq (S', h')$. \square

Theorem 5.6. *Every net N has a weakly safe unfolding $\mathcal{B}_{w.\text{safe}}$ which is unique up to isomorphism. In addition, every weakly safe branching process (S, h) satisfies $(S, h) \preceq \mathcal{B}_{w.\text{safe}}$.*

Proof. The proof of the existence of a weakly safe unfolding follows the same line as that of Theorem 5.2, and we only indicate the differences. As in the proof of Theorem 5.2, the net S_0 has no event, and only initial conditions ; but its condition set is defined by splitting each initial place of N according to its initial marking. More precisely, S_0 consists of a disjoint union $\bigcup_{p \in \overline{m_0}} B^p$ where each set B^p consists of $m_0(p)$ elements, each with an initial marking equal to 1. The map h_0 sends each condition in B^p to p : thus (S_0, h_0) is a weakly safe branching process of N .

Again, we assume that we have constructed a finite sequence of weakly safe branching processes $(S_i, h_i)_{i \leq n}$, where $(S_i, h_i) \sqsubseteq (S_j, h_j)$ for each $i < j$. If t and v are a transition of N and a marking of S_n as in the proof of Theorem 5.2, we construct (S_{n+1}, h_{n+1}) from (S_n, h_n) as in that proof, with the following difference: the set Q of new conditions added to S_n in relation with the pair (t, v) is the disjoint union $\bigcup_{p \in \overline{\text{Post}(t)}} Q^p$ of sets such that Q^p has $\text{Post}(t, p)$ elements. Then $\text{Out}_{n+1}(e) = \sum_{p \in \overline{\text{Post}(t)}} \sum_{q \in Q^p} q$, and h_{n+1} maps each condition in Q^p to the place p .

It is immediately verified that (S_{n+1}, h_{n+1}) is a weakly safe branching process of N . Now, if $(\mathcal{B}_{w.\text{safe}}, h_{w.\text{safe}})$ is defined as in the proof of Theorem 5.2, as the inductive limit of the increasing sequence of branching processes (S_n, h_n) , then $(\mathcal{B}_{w.\text{safe}}, h_{w.\text{safe}})$ is a weakly safe unfolding of N .

Now let (S, h) be a weakly safe branching process of N . Proposition 5.5 shows that $(S, h) \preceq \mathcal{B}_{w.\text{safe}}$. If in addition (S, h) is an unfolding, we conclude that (S, h) and $\mathcal{B}_{w.\text{safe}}$ are isomorphic by Proposition 4.7. \square

However, a safe branching process of N cannot be identified unequivocally with a prefix of $\mathcal{B}_{w.\text{safe}}$, and we don't have an analogue of Proposition 5.4 for safe branching processes. This is illustrated in the following example.

Example 5.7. *Consider the net N represented in Figure 4. The nets β_1, \dots, β_4 represented in Figure 5 are safe branching processes of N . Moreover, it is easy to verify that both β_3 and β_4 are \sqsubseteq -less than β_1 and β_2 , and that both are maximal with this property: thus β_1 and β_2 do not admit a greatest lower bound. Similarly, Figure 6 shows safe branching processes β_1 and β_2 , and distinct branching processes β_3 and β_4 which are minimal among the common upper bounds of β_1 and β_2 . Thus β_1 and β_2 do not admit a least upper bound.*

It is interesting to observe (compare with Corollary 5.3) that in both cases, both β_1 and β_2 are isomorphic to two distinct subnets of the safe unfolding of N , represented in Figure 7.

5.3. Comparing unfoldings. Let us write $(S, h) \Longrightarrow (S', h')$ if (S, h) and (S', h') are unfoldings of a net N and there exists a homomorphism $g: (S', h') \rightarrow (S, h)$. (This is equivalent to (S, g) being a branching process of S' by Lemma 4.2 (1).) Note that g is not required to be injective, but it is surjective by Corollary 4.5. The relation \Longrightarrow is a quasi-order on the set of unfoldings of N and we shall verify that

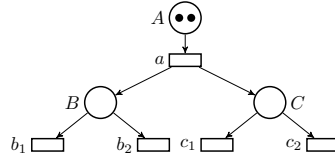
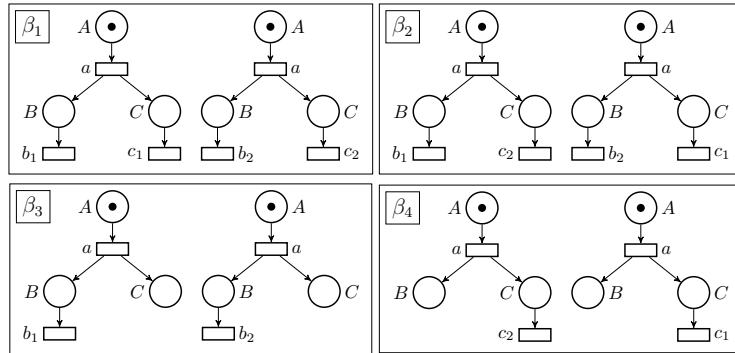
FIGURE 4. The net N 

FIGURE 5. Weakly safe branching processes may not have an inf

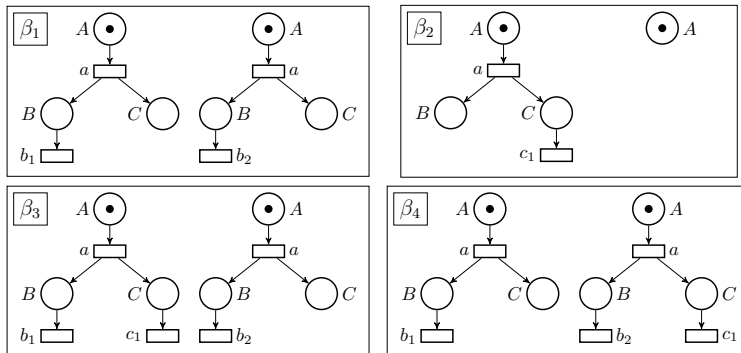
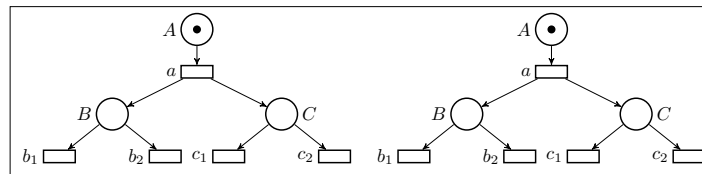


FIGURE 6. Weakly safe branching processes may not have a sup

FIGURE 7. The weakly safe unfolding of N

the true unfolding and the weakly safe unfolding of a net N sit at extreme positions with respect to this order.

First we show that \Rightarrow -equivalent unfoldings are isomorphic.

Lemma 5.8. *Let (S, h) be a branching process of a net N and let $g: (S, h) \rightarrow (S, h)$ be a homomorphism. Then g is injective on every prefix of S with a finite number of events.*

Proof. Let S' be a prefix of S with finitely many events, and let b be a condition of S' . Then g induces a surjective mapping from the set of elements of $h^{-1}(h(b))$ in S' , to the set of elements of $h^{-1}(h(b))$ in $g(S')$. Since S is an occurrence net (and therefore has no non-initially marked, isolated place), the set $h^{-1}(h(b))$ has finitely many elements in S' by Lemma 2.4 (2). So g actually induces a bijection on the subset of $h^{-1}(h(b))$ in S' . This implies that the restriction of g to S' is injective on conditions: indeed, if $g(b) = g(c)$, then $h(b) = h(g(b)) = h(g(c)) = h(c)$, that is, $c \in h^{-1}(h(b))$.

Let now e and f be events in S' such that $g(e) = g(f)$. Then $h(e) = h(f)$ and $g(\text{In}(e)) = g(\text{In}(f))$. The last equality implies that $\text{In}(e) = \text{In}(f)$, and the guarded injectivity in the definition of branching processes then guarantees that $e = f$. This concludes the proof. \square

Proposition 5.9. *Let (S, h) and (S', h') be unfoldings of a net N such that $(S, h) \Longrightarrow (S', h') \Longrightarrow (S, h)$. Then (S, h) and (S', h') are isomorphic.*

Proof. Let $g: (S, h) \rightarrow (S', h')$ and $g': (S', h') \rightarrow (S, h)$ be homomorphisms. Then g is surjective by Corollary 4.5. Let now x, y be elements of S , events or conditions, such that $g(x) = g(y)$. Let S'' be a prefix of S containing x and y , with finitely many events: such a prefix exists by Proposition 3.1. Then $g' \circ g$ is injective on S'' by Lemma 5.8, and hence g is injective on S'' : it follows that $x = y$. S to $g(S) = S'$. \square

Theorem 5.10. *The true unfolding of a net is its unique \Longrightarrow -minimal unfolding (up to isomorphism).*

Proof. By Theorem 5.2, every unfolding (S, h) of N admits a homomorphism $g': (S, h) \rightarrow \mathcal{B}_{\text{true}}$, that is, $\mathcal{B}_{\text{true}} \Longrightarrow (S, h)$. If $(S, h) \Longrightarrow \mathcal{B}_{\text{true}}$, that is, if there exists a homomorphism $g': \mathcal{B}_{\text{true}} \rightarrow (S, h)$, then $g \circ g'$ is a homomorphism from $\mathcal{B}_{\text{true}}$ to $\mathcal{B}_{\text{true}}$ and Lemma 4.2 (3) shows that $g \circ g'$ is the identity of $\mathcal{B}_{\text{true}}$ and hence, $\mathcal{B}_{\text{true}}$ and (S, h) are isomorphic. \square

Theorem 5.11. *The weakly safe unfolding of a net is its unique \Longrightarrow -maximal unfolding (up to isomorphism).*

Proof. If (S, h) is an unfolding of N and (S', g) is a weakly safe unfolding of S , then $(S', h \circ g)$ is a weakly safe unfolding of N by Corollary 4.6 and hence, $(S', h \circ g)$ is isomorphic to $\mathcal{B}_{\text{w.safe}}$ (Theorem 5.6). Moreover, $g: (S', h \circ g) \rightarrow (S, h)$ is a homomorphism, so we have $(S, h) \Longrightarrow \mathcal{B}_{\text{w.safe}}$.

Now if $\mathcal{B}_{\text{w.safe}} \Longrightarrow (S, h)$, there exists a surjective homomorphism from (S, h) to $\mathcal{B}_{\text{w.safe}}$, and this implies that (S, h) is weakly safe. Therefore (S, h) is isomorphic to $\mathcal{B}_{\text{w.safe}}$. \square

6. PROCESSES AND THEIR PROPERTIES

The notion of process of a net is developed in the literature [10, 2], but it is limited to the case of safe processes. Here we extend the notion, in such a way that the usual *processes* are what we call here *safe processes*.

By definition, a *process of a net* N is a triple $\pi = (S, h, \varphi)$ such that (S, h) is a branching process of N , and φ is a configuration of S which covers all its events (that is, every event of S is in the support of φ). We say that a process $\pi = (S, h, \varphi)$ is *true* (resp. *safe*, *weakly safe*) if the underlying branching process (S, h) is true (resp. safe, weakly safe). Moreover, if (S', h') is a branching process of N such that $(S, h) \preceq (S', h')$, we say that π is a *process of the branching process* (S', h') .

Finally, we extend the quasi-order on branching processes of N , to its processes. If $\pi_1 = (S_1, h_1, \varphi_1)$ and $\pi_2 = (S_2, h_2, \varphi_2)$ are processes of a net N , we say that π_1 is *smaller than* π_2 , written $\pi_1 \preceq \pi_2$, if there exists an injective homomorphism $g: (S_1, h_1) \rightarrow (S_2, h_2)$ with $g(\varphi_1) \leq \varphi_2$.

6.1. True processes. The above definitions, together with Theorems 5.2 and 5.6, yield immediately the following result.

Proposition 6.1. *Every true (resp. weakly safe) process of a net N is a process of the true (resp. weakly safe) unfolding of N .*

Proposition 6.1 then leads to the following characterization of the true unfolding of a net.

Proposition 6.2. *Let (S, h) be a branching process of a net N . If every true process of N is a process of (S, h) , then (S, h) is isomorphic to the true unfolding of N .*

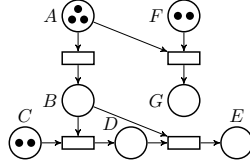
Proof. We first assume that (S, h) is true. If (S', h', φ) is a true process of N , then (S', h') is isomorphic to a uniquely determined prefix of (S, h) by Proposition 5.1.

We apply this fact to the prefixes of $\mathcal{B}_{\text{true}}$: let e be an event of $\mathcal{B}_{\text{true}}$. Since $\mathcal{B}_{\text{true}}$ is quasi-live, e occurs in a configuration φ of $\mathcal{B}_{\text{true}}$. Let S_e be the least prefix of $\mathcal{B}_{\text{true}}$ containing the events in the support of φ , and let h_e be the restriction of h_{true} to S_e . Then the process (S_e, h_e, φ) is a true process of N . Therefore (S_e, h_e) is isomorphic to a single prefix of (S, h) , and we let $g_e: (S_e, h_e) \rightarrow (S, h)$ be the corresponding injective homomorphism. In particular, if e and f are events of $\mathcal{B}_{\text{true}}$, then g_e and g_f coincide on the intersection of S_e and S_f . Therefore the injective homomorphisms g_e (when e runs over all the events of $\mathcal{B}_{\text{true}}$) induce an injective homomorphism $g: \mathcal{B}_{\text{true}} \rightarrow (S, h)$, that is, $\mathcal{B}_{\text{true}} \preceq (S, h)$. It follows from Theorem 5.2 that (S, h) is isomorphic to $\mathcal{B}_{\text{true}}$.

In the general case, where (S, h) is not assumed to be true, let R be the subnet of S consisting of the initial conditions, of the events e such that, for each event $f \leq e$, h is injective on f^\bullet , and of the pre- and post-conditions of these events. It is immediate that R is a prefix of S and therefore an occurrence net (Lemma 3.2). If k is the restriction of h to R then $(R, k) \sqsubseteq (S, h)$. Moreover, (R, k) is a true branching process by construction, and every true process of (S, h) is in fact a true process of (R, k) . It follows from the first part of the proof that (R, k) is isomorphic to $\mathcal{B}_{\text{true}}$, and since $\mathcal{B}_{\text{true}}$ is \preceq -maximal, (S, h) is isomorphic to $\mathcal{B}_{\text{true}}$ as well (Proposition 4.7). \square

We can also show that true processes have valuable order-theoretic properties with respect to the \preceq -order.

Proposition 6.3. *Any family of true processes of a net N admits a greatest lower bound. If a family of true processes of N admits a common upper bound, then it has a least upper bound.*

FIGURE 8. The net N

Proof. Let $(\pi_i)_{i \in I}$ be a family of true processes of N , with $\pi_i = (S_i, h_i, \varphi_i)$ for each i . Each (S_i, h_i) can be viewed in an unambiguous fashion as a prefix of $\mathcal{B}_{\text{true}}$ (Corollary 5.3), and hence φ_i can be viewed as a configuration of $\mathcal{B}_{\text{true}}$. Let $\varphi = \min_i \varphi_i$, that is, $\varphi = \sum_e \min_i \varphi_i(e) \cdot e$, where the sum runs over all the events of $\mathcal{B}_{\text{true}}$. Let S be the subnet of $\mathcal{B}_{\text{true}}$ consisting of the initial conditions, the events occurring in φ and their pre- and post-conditions. It is easily verified that S is a prefix of $\mathcal{B}_{\text{true}}$, and if h is the restriction of (any) h_i to S , (S, h) is a true branching process of N . It is also clear that $(S, h) \sqsubseteq (S_i, h_i)$ and $\varphi \leq \varphi_i$ for each i . We want to show that $(S, h, \varphi) = \min_i \pi_i$, and for this purpose, it suffices to establish that φ is a configuration. We use the characterization given in Corollary 3.5.

First it is immediate that φ has finite support, since each φ_i does. Moreover, the fact that each φ_i satisfies the inequalities in Corollary 3.5 easily implies that φ does as well. Thus φ is a configuration and $(S, h, \varphi) = \min_i \pi_i$.

The statement concerning upper bounds follows immediately: if the set U of upper bounds of $(\pi_i)_{i \in I}$ is non-empty, we claim that $\inf U$ is the least upper bound of the $(\pi_i)_{i \in I}$. To justify this claim, it suffices to verify that $\inf U$ is indeed an upper bound, that is, $\inf U \in U$. This is readily verified, using the description of $\inf U$ in the first part of the proof, and the fact that the configurations we consider are finite support vectors with positive integer coefficients. \square

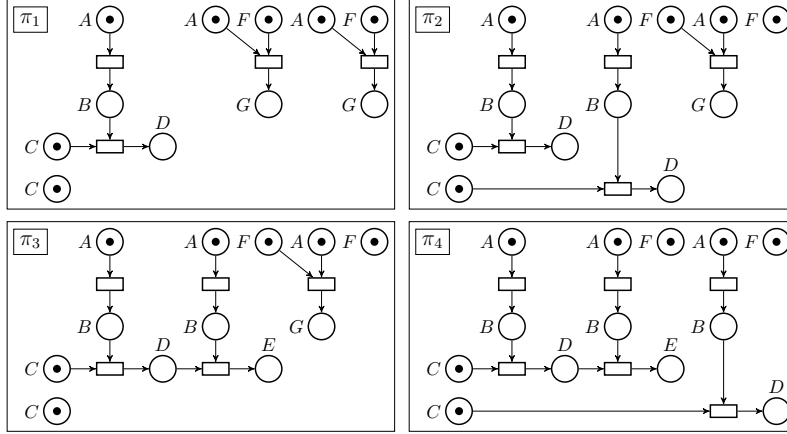
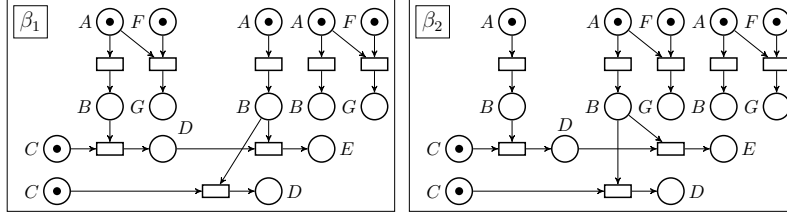
Remark 6.4. Let $(\pi_i)_{i \in I}$ be a family of true processes of a net N as in Proposition 6.3. It is not difficult to verify that this family does not have an upper bound if it takes infinitely many values. Now consider the net N in Figure 4, and consider the true processes determined by the configurations $a + b_1$, $a + b_2$ and $a + c_1$. Any two of these processes have a least upper bound: for instance $\sup(a + b_1, a + b_2) = 2a + b_1 + b_2$. Note in particular that the sup of these configurations taken as multisets, $a + b_1 + b_2$, is not a configuration. Moreover, the three processes taken together do not admit a common upper bound.

6.2. Weakly safe processes. In this section, we verify that weakly safe processes do not have the good order-theoretic properties enjoyed by true processes, described in Propositions 6.2 and 6.3.

Consider the net N represented in Figure 8. Figure 9 shows all the \preceq -maximal weakly safe processes of N (up to isomorphism): there are 4 of them.

Moreover, Figure 10 shows two distinct weakly safe branching processes of N , both of which contain all the maximal weakly safe processes. Thus the analogue of Proposition 6.2 does not hold for weakly safe processes. Example 5.7 demonstrates that Proposition 6.3 does not hold for weakly safe processes.

Of course, the weakly safe branching processes of Figure 10 also occur in the weakly safe unfolding of N , shown in Figure 11. This weakly safe unfolding exhibits large-scale duplication of weakly safe processes.

FIGURE 9. All the maximal weakly safe processes of N FIGURE 10. Two weakly safe branching processes containing all the weakly safe processes of N

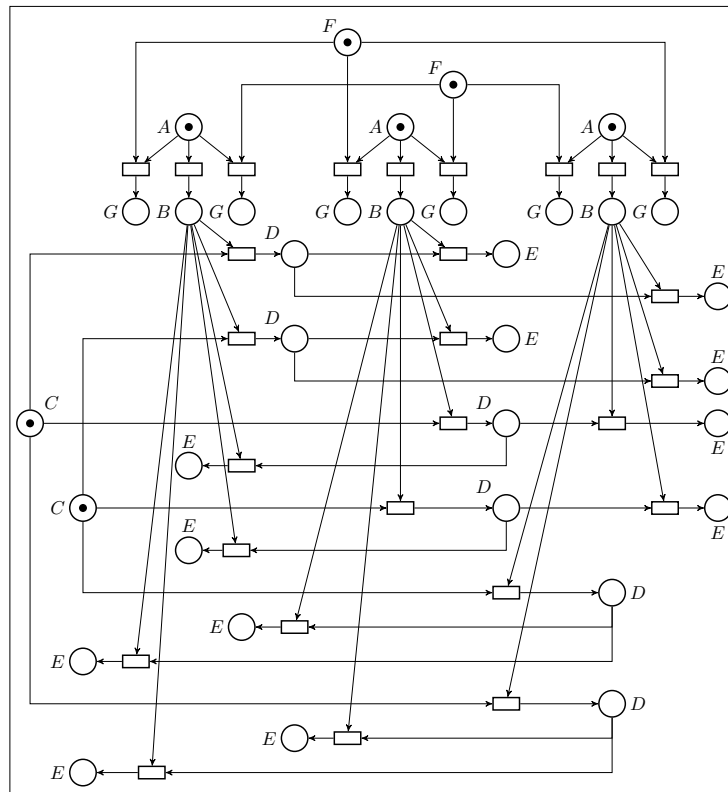
7. CONCLUDING REMARKS

This paper proposes a general framework for the unfolding of general Petri nets. Traditional occurrence nets are covered by safe unfoldings. When applied to general nets, this approach has certain drawbacks, which are exemplified in Sections 5.2 and 6.2: even though every net admits a unique safe unfolding, the safe branching processes do not form a lattice, and neither do the safe processes. The root of the problem can be traced to the following fact: a safe process of a net N may occur in several ways as a process of the safe unfolding of N .

The essential contribution of our work is the concept of true unfolding of a net. This is an extension of the traditional notion in the following sense: if N is a safe Petri net, then its safe and its true unfoldings (resp. branching processes, processes) coincide. The true processes and the true branching processes of a general net satisfy good order-theoretic properties. Moreover, true branching processes as well as true processes have a unique representation in the true unfolding.

Another contribution of the paper is the absence of finiteness conditions on our nets: neither on the number of places or transitions, nor on the support of the pre- and post-conditions of the transitions.

One question not tackled in this paper is the relationship between unfoldings and event structures. Within the framework of general Petri nets, the concept of prime event structure is not adapted to capture the multiset aspects. Two natural questions should be considered: (1) In which cases does the notion of true unfolding make it possible to capture the conflict and causality relations? (2) What is the

FIGURE 11. The weakly safe unfolding of N

concept of event structures associated to true unfoldings? An additional question concerns the interpretation of true unfoldings to define a true concurrency semantics similarly to van Glabbeek and Plotkin [3].

In the course of the preparation of the final version of this paper, we discovered the recent work of Hayman and Winskel [5]. These authors consider nets where the support of the initial marking and the pre- and postsets of transitions may be infinite, and the marking function may take infinite values. Unfoldings are defined for these nets in a categorical setting, using classical occurrence nets and a notion of symmetries. A thorough comparison between this work and our results remains to be done.

Acknowledgements. The authors gratefully acknowledge the crucial contribution of the referees who helped eliminate technical mistakes and make the purpose of the paper clearer.

REFERENCES

- [1] Best, E., Devillers, R.: Sequential and concurrent behaviour in Petri net theory, *Theoretical Computer Science*, **55**, 1987, 87–136.
- [2] Engelfriet, J.: Branching Processes of Petri Nets, *Acta Informatica*, **28**, 1991, 575–591.
- [3] van Glabbeek, R., Plotkin, G.: Configuration structures, event structures and Petri nets, *Theoretical Computer Science*, **410**(41), September 2009, 4111–4159.

- [4] Haar, S.: Branching Processes of General S/T-Systems and their Properties, *Electronic Notes in Theoretical Computer Science*, **18**, 1998.
- [5] Hayman, J., Winskel, G.: The unfolding of general Petri nets, *IARCS Annual Conference on Foundations of Software Technology and Theoretical Computer Science (FSTTCS 2008)* (R. Hariharan, M. Mukund, V. Vinay, Eds.), 2, Schloss Dagstuhl–Leibniz-Zentrum fuer Informatik, Dagstuhl, Germany, 2008, 223–234.
- [6] Hoogers, P., Kleijn, H., Thiagarajan, P.: An Event Structure Semantics for General Petri Nets, *Theoretical Computer Science*, **153**, 1996, 129–170.
- [7] Keller, W.: Clustering for Petri Nets, *Theoretical Computer Science*, **308**, 2003, 145–197.
- [8] Meseguer, J., Montanari, U., Sassone, V.: On the Model of Computation of Place/Transition Petri Nets, *Proc. of the 15th Int. Conference on Application and Theory of Petri Nets*, 815, Springer Verlag, 1994, 16–38.
- [9] Murata, T.: Petri Nets: Properties, Analysis, and Applications, *Proc. of the IEEE*, **77**(4), 1989, 541–580.
- [10] Nielsen, M., Plotkin, G., Winskel, G.: Petri Nets, Events Structures and Domains, Part I, *Theoretical Computer Science*, **13**(1), 1981, 85–108.
- [11] Vogler, W.: Executions: A New Partial-order Semantics of Petri Nets., *Theoretical Computer Science*, **91**, 1991, 205–238.

UNIVERSITÉ D'ORLÉANS, LIFO, ORLÉANS, FRANCE
E-mail address: `jean-michel.couvreur@univ-orleans.fr`

UNIVERSITÉ PIERRE ET MARIE CURIE, LIP6, PARIS, FRANCE
E-mail address: `denis.poitrenaud@lip6.fr`

UNIV. BORDEAUX, LABRI, UMR 5800, F-33400 TALENCE, FRANCE
CNRS, LABRI, UMR 5800, F-33400 TALENCE, FRANCE
E-mail address: `pascal.weil@labri.fr`