



HAL
open science

Sensor Fault-Tolerant Control of an Induction Motor Based Electric Vehicle

Bekheira Tabbache, Mohamed Benbouzid, Abdelaziz Kheloui, Jean-Matthieu Bourgeot

► **To cite this version:**

Bekheira Tabbache, Mohamed Benbouzid, Abdelaziz Kheloui, Jean-Matthieu Bourgeot. Sensor Fault-Tolerant Control of an Induction Motor Based Electric Vehicle. 2011 European Conference on Power Electronics and Applications, Aug 2011, Birmingham, United Kingdom. pp.1-8. <hal-00630236>

HAL Id: hal-00630236

<https://hal.science/hal-00630236v1>

Submitted on 7 Oct 2011

HAL is a multi-disciplinary open access archive for the deposit and dissemination of scientific research documents, whether they are published or not. The documents may come from teaching and research institutions in France or abroad, or from public or private research centers.

L'archive ouverte pluridisciplinaire **HAL**, est destinée au dépôt et à la diffusion de documents scientifiques de niveau recherche, publiés ou non, émanant des établissements d'enseignement et de recherche français ou étrangers, des laboratoires publics ou privés.



HAL Authorization

Sensor Fault-Tolerant Control of an Induction Motor Based Electric Vehicle

Bekheïra Tabbache^{1,2}, Mohamed Benbouzid¹, Abdelaziz Kheloui² and Jean-Matthieu Bourgeot³

¹University of Brest, EA 4325 LBMS, Rue de Kergoat, 29238 Brest Cedex 03, France

²Electrical Engineering Department, Polytechnic Military Academy, 16111 Algiers, Algeria

³ENIB, EA 4325 LBMS, 945, Avenue Technopole, 29280 Plouzané, France

Tel.: +33 2 98 01 80 07

Fax.: +33 2 98 01 66 43

E-mail: Mohamed.Benbouzid@univ-brest

URL: <http://www.lbms.fr>

Keywords

Electric Vehicle (EV), Induction motor, Sensor fault, Fault-tolerant control (FTC), Direct torque control (DTC), Extended Kalman filter (EKF).

Abstract

This paper deals with sensor fault detection within a reconfigurable direct torque control of an induction motor-based electric vehicle. The proposed strategy concerns current, voltage and speed sensors faults that are detected and followed by control reconfiguration in order to allow the vehicle continuous operation.

The proposed approach is validated through experiments on an induction motor drive and simulations on an electric vehicle using a European urban and extra urban driving cycle.

Introduction

Fault tolerance is gaining interest as a means to increase the reliability, the availability, and the continuous operation of electromechanical systems among them automotive ones [1-2].

In the automotive context, electric vehicle is a key application where the propulsion control depends on the availability and the quality of sensor measurements. Measurements, however, can be corrupted or interrupted due to sensor faults. If some sensors are missing, the controllers cannot provide the correct control actions for the EV propulsion. It is therefore compulsory to have a sensor fault detection and isolation system to improve the reliability of the electric drive. Thereafter, reconfiguration should be achieved with equivalent observed signals. This will allow fault-tolerant operation.

In this context, an FTC approach is proposed for an induction motor-based EV experiencing sensor faults (current, voltage, and speed) [3]. As DTC is recognized as a high-performance control strategy for EVs electric propulsion, it has been adopted [4-5]. In general, DTC-based induction motor drives use two current sensors, two voltage sensors and a speed sensor. For sensor faults tolerance purposes, the tendency is to use three currents sensors and introduce observers and estimation techniques for the currents and speed [6-7].

The proposed FTC approach is based on a bank of observers that provides residuals for fault detection and replacement signals for the reconfiguration [8]. To detect and isolate sensor faults, nonlinear observers are used to guarantee the redundancy [9]. In this paper, an extended Kalman filter is adopted, to obtain the system state variable estimates (stator flux and rotational speed) and to generate the current and the speed residuals.

Induction motor-based EV DTC

The basic idea of the method is to calculate flux and torque instantaneous values only from the stator variables. Flux, torque, and speed are estimated. The input of the motor controller is the reference

speed, which is directly applied by the pedal of the vehicle. Control is carried out by hysteresis comparators and a switching logic table selecting the appropriate voltage inverter switching configurations [4].

Figure 1 gives the global configuration of a DTC scheme and also shows how the EV dynamics is taken into account.

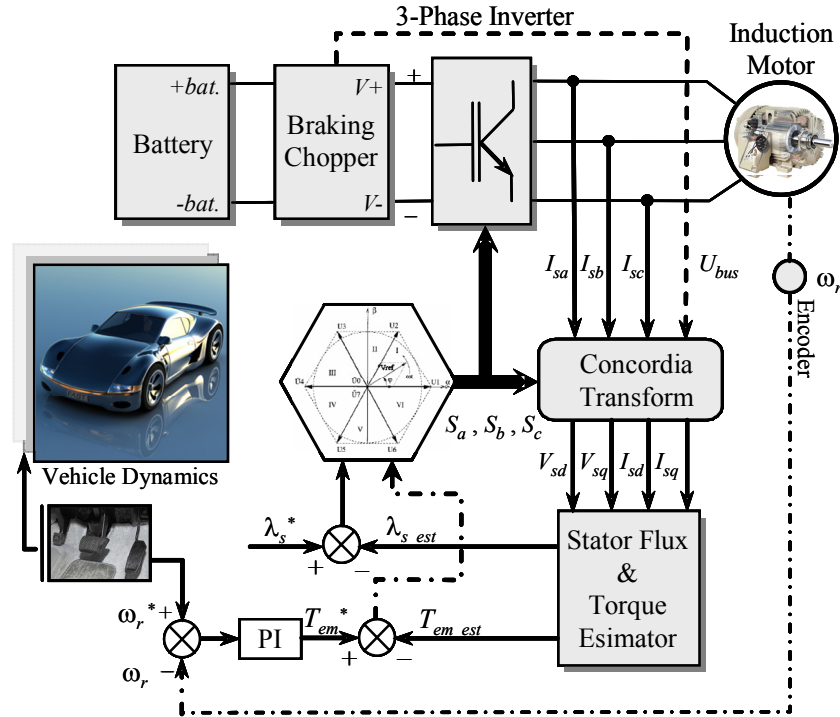


Fig.1. DTC block diagram.

Sensor fault detection and isolation – SFDI

SFDI is based on two parts. The first one generates sensor residuals. The second part detects and isolates the faulty sensors (current, voltage, or speed sensors).

EKF for residual generation

In previous works, multi-observer schemes have been obtained for fault detection and isolation [8]. Unfortunately, these schemes cannot be implemented due to the limited sampling period even with recently developed digital signal processors. For that purpose, it has been adopted only one observer. In this context an EKF is adopted to obtain the system state variable estimates (stator flux and rotational speed) and to generate the current and the speed residuals [10].

The Kalman filter, is a special class of linear observer (deterministic type), derived to meet a particular optimality stochastic condition. The Kalman filter has two forms: basic and extended. The EKF can be used for nonlinear systems where the plant model is extended by extra variables, in our case by the mechanical speed [11].

In an induction motor drive, the Kalman filter is used to obtain unmeasured state variables (rotor speed ω_r , rotor flux vector components $\lambda_{r\alpha}$ and $\lambda_{r\beta}$) using the measured state variables (stator current i_s and voltage components V_s in the Concordia frame α - β). Moreover, it takes into account the model and measurement noises.

The induction motor state model used by the EKF is developed in the stationary reference frame and summarized by equation (1) [4], [10], where R is the resistance, L is the inductance, L_m is the magnetizing inductance.

The implementation of the Kalman filter is based on a recursive algorithm minimizing the error variance between the real variable and its estimate.

$$\left\{ \begin{array}{l} \frac{d}{dt} \begin{bmatrix} i_{s\alpha} \\ i_{s\beta} \\ \lambda_{r\alpha} \\ \lambda_{r\beta} \\ \omega_r \end{bmatrix} = \begin{bmatrix} -\frac{K_R}{K_L} & 0 & \frac{L_m R_r}{L_r^2 K_1} & \frac{L_m \omega_r}{L_r K_L} & 0 \\ 0 & -\frac{K_R}{K_L} & \frac{L_m \omega_r}{L_r K_L} & \frac{L_m R_r}{L_r^2 K_1} & 0 \\ \frac{L_m}{T_r} & 0 & -\frac{1}{T_r} & -\omega_r & 0 \\ 0 & \frac{L_m}{T_r} & \omega_r & -\frac{1}{T_r} & 0 \\ 0 & 0 & 0 & 0 & 1 \end{bmatrix} \begin{bmatrix} i_{s\alpha} \\ i_{s\beta} \\ \lambda_{r\alpha} \\ \lambda_{r\beta} \\ \omega_r \end{bmatrix} + \frac{1}{K_L} \begin{bmatrix} 1 & 0 \\ 0 & 1 \\ 0 & 0 \\ 0 & 0 \\ 0 & 0 \end{bmatrix} \begin{bmatrix} V_{s\alpha} \\ V_{s\beta} \end{bmatrix} \\ \frac{K_L}{K_R} = \left(\frac{R_s}{L_s} + \frac{1-\sigma}{\sigma T_r} \right), T_r = \frac{L_r}{R_r}, T_s = \frac{L_s}{R_s} \text{ and } \sigma = 1 - \frac{L_m^2}{L_s L_r} \end{array} \right. \quad (1)$$

Let us consider a linear stochastic system whose discrete state model is given by:

$$\begin{cases} x(k+1) = Ax(k) + Bu(k) + w(k) \\ y(k+1) = Cx(k) + v(k) \end{cases} \quad (2)$$

where $w(k)$ represents the disturbances vector applied to the system inputs. It also represents the modeling uncertainties; $v(k)$ corresponds to system output measurement noises. It is supposed that the random signals $v(k)$ and $w(k)$ are Gaussian noises not correlated and with null average value. They are characterized by covariance matrixes, Q and R respectively, which are symmetrical and positive definite. The initial state vector x_0 is also a random variable with covariance matrix P_0 and average value \bar{x}_0 .

The Kalman filter recursive algorithm is illustrated by Fig. 2.

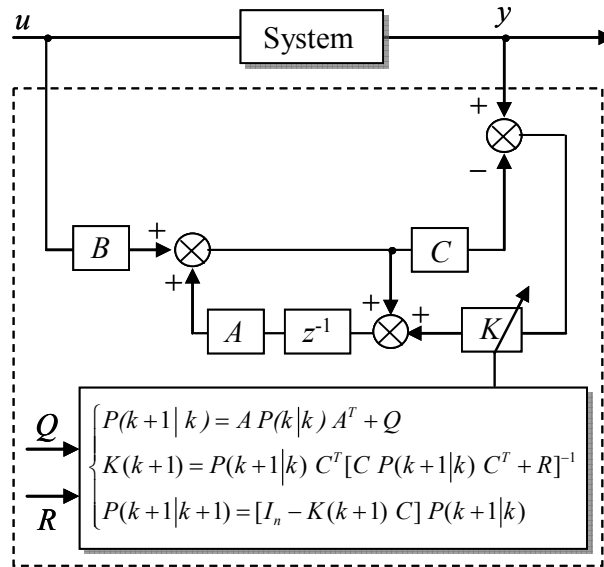


Fig. 2. The Kalman filter recursive algorithm.

For an induction motor, the Kalman filter must be used in its extended version. Therefore, a nonlinear stochastic system discrete state equation is given by:

$$\begin{cases} x_{k+1} = f(x_k, u_k) + w_k \\ y_k = h(x_k) + v_k \end{cases} \quad (3)$$

where f and h are vector functions.

$$\left\{ \begin{array}{l} \left[\begin{array}{l} \left(1 - T \frac{K_R}{K_L}\right) i_{s\alpha} + T \frac{L_m R_r}{L_r^2 K_1} \lambda_{r\alpha} + T \frac{L_m \omega_r}{L_r K_L} \lambda_{r\beta} + T \frac{1}{K_L} V_{s\alpha} \\ \left(1 - T \frac{K_R}{K_L}\right) i_{s\beta} - T \frac{L_m R_r}{L_r^2 K_1} \lambda_{r\alpha} + T \frac{L_m \omega_r}{L_r K_L} \lambda_{r\beta} + T \frac{1}{K_L} V_{s\beta} \\ T \frac{L_m}{T_r} i_{s\alpha} + \left(1 - T \frac{1}{T_r}\right) \lambda_{r\alpha} - T \omega_r \lambda_{r\beta} \\ T \frac{L_m}{T_r} i_{s\beta} + T \omega_r \lambda_{r\alpha} + \left(1 - T \frac{1}{T_r}\right) \lambda_{r\beta} \\ \omega_r \end{array} \right] \\ h = C_d x_{k|k+1} = \begin{bmatrix} i_{s\alpha} \\ i_{s\beta} \end{bmatrix} \end{array} \right.$$

The notation $k + 1$ is related to predicted values at $(k + 1)^{\text{th}}$ instant and is based on measurements up to k^{th} instant. T is the sampling period.

The EKF equations are similar to those of the linear Kalman filter with the difference that A and C matrices should be replaced by the Jacobians of the vector functions f and h at every sampling time as follows.

$$\left\{ \begin{array}{l} A_k[i, j] = \left. \frac{\partial f_i}{\partial x_j} \right|_{x = \hat{x}(k|k)} \\ C_k[i, j] = \left. \frac{\partial h_i}{\partial x_j} \right|_{x = \hat{x}(k|k-1)} \end{array} \right. \quad (4)$$

The covariance matrices R_k and Q_k are also defined at every sampling time.

For the induction motor control, the EKF is used for the speed real-time estimation. It can also be used to estimate states and parameters using the motor voltages and currents measurements.

Sensor fault detection and isolation

Current sensor faults

Three sensors are used to measure the motor currents. To detect current sensor faults, the following equation is used.

$$i_{sum} = i_{as}^m + i_{bs}^m + i_{cs}^m \quad (5)$$

Indeed, if one or two sensors fail, i_{sum} will be a non-zero sinusoidal signal. Therefore, additional logic and information (redundancy) are required to isolate the failed sensor. The required redundancy can be obtained from the EKF which is driven by the scheduled test input sets:

$$\left\{ \begin{array}{l} TIS(1) = \{i_{as}^m, i_{bs}^m, i_{cs}^{m1}\} \quad \text{when} \quad i_{cs}^{m1} = -(i_{as}^m + i_{bs}^m) \\ TIS(2) = \{i_{as}^m, i_{bs}^{m2}, i_{cs}^m\} \quad \text{when} \quad i_{bs}^{m2} = -(i_{as}^m + i_{cs}^m) \end{array} \right. \quad (6)$$

$TIS(1)$ is used to isolate a faulty current sensor in phase c and $TIS(2)$ is used to isolate a faulty current sensor in phase a or b. It should be noticed that the two current residuals are calculated using Concordia components to isolate the faulty current sensor.

Voltages sensor faults

The fault detection may be performed using a simple threshold test on the parity equation (7), which describes the three-phase simple voltage equivalence.

$$V_{sum} = V_{as}^m + V_{bs}^m + V_{cs}^m \quad (7)$$

Speed sensor faults

The fault detection is achieved by comparing the measured speed with the estimated one. The encoder fault detection is given by the following residual.

$$r_{\omega} = \left| \hat{\omega}_m^m - \hat{\omega}_m^m \right| \quad (8)$$

Figure 3 illustrates the SFDI principle. It includes the EKF, the residual generation and the Concordia transforms.

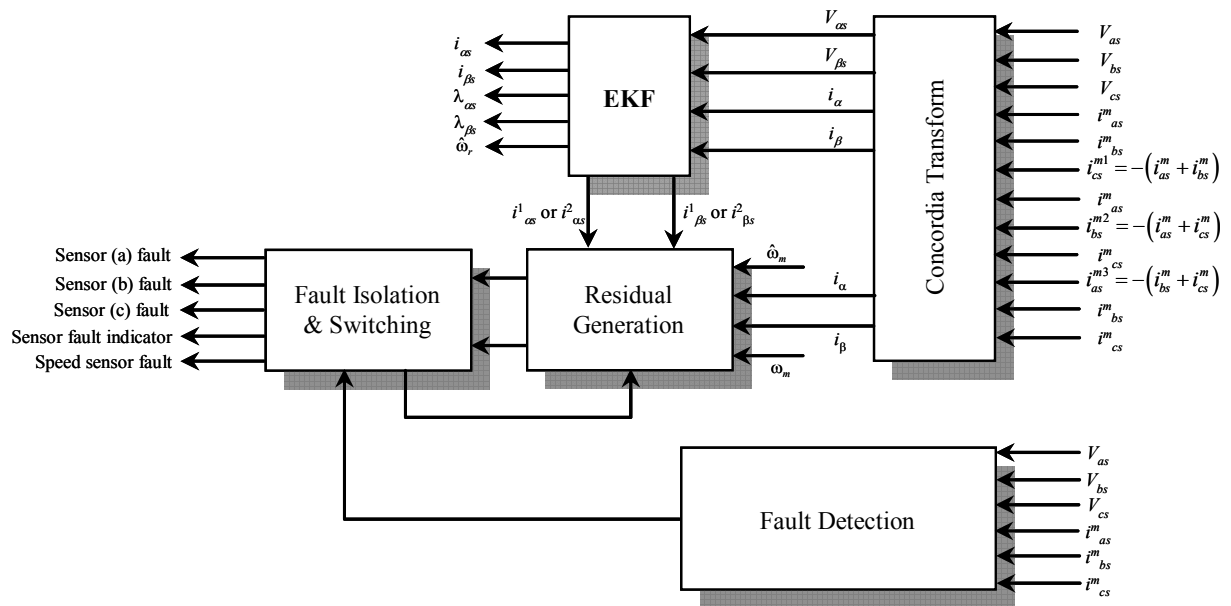


Fig. 3. Sensor fault detection and isolation scheme.

Sensor fault-tolerant control scheme

Figure 4 describes the proposed fault-tolerant control scheme in terms of current, voltage, and speed sensor faults.

Validation results

Induction motor sensor fault-tolerant control

Experimental tests have been first carried-out to check the sensor fault-tolerant control performances on a 1-kW induction motor drive (Fig. 5).

Figures 6 and 7 show experimental results for current and speed sensors, respectively. The obtained results confirm the effectiveness of the proposed FTC approach.

EV sensor fault-tolerant control

The induction motor-based EV fault-tolerant control performances are then evaluated on a European urban and extra urban driving cycle. For that purpose, two sensor faults are introduced: a current sensor fault in phase a (an offset) at 2-sec and a speed sensor fault (a signal disconnection) at 7-sec.

Figure 8 show the fault-tolerant performances in term of speed (via a single gear).

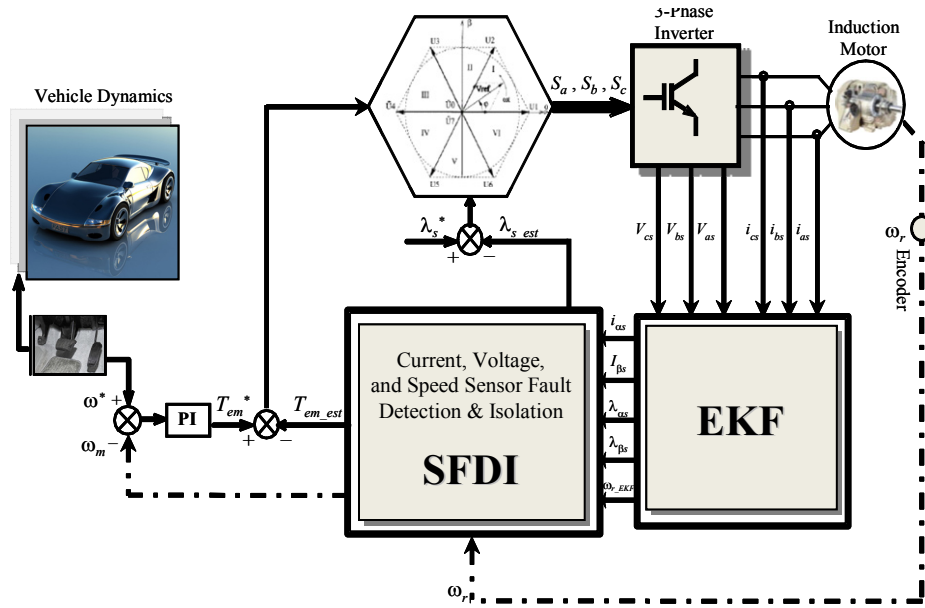


Fig. 4. The proposed sensor fault-tolerant control scheme.

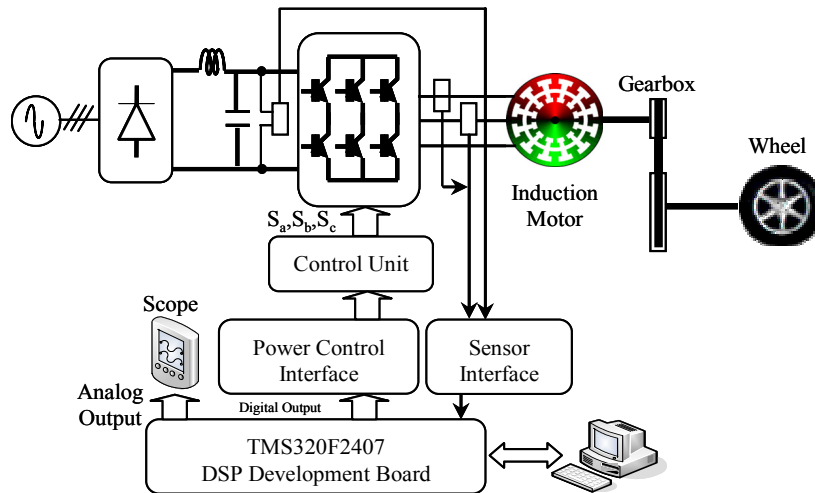
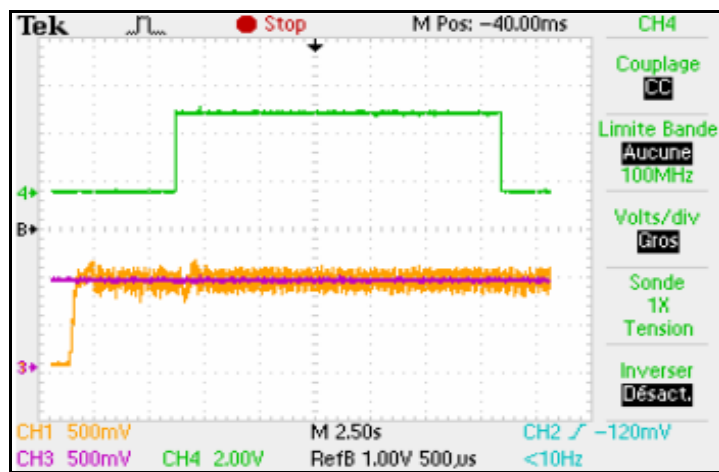


Fig. 5. Schematic description of the experimental bench.



(Sensor fault indicator (green), Motor speed (orange), Speed sensor output (blue), Reference speed (Purple))

Fig. 6. Induction motor drive FTC performance under a current sensor fault.

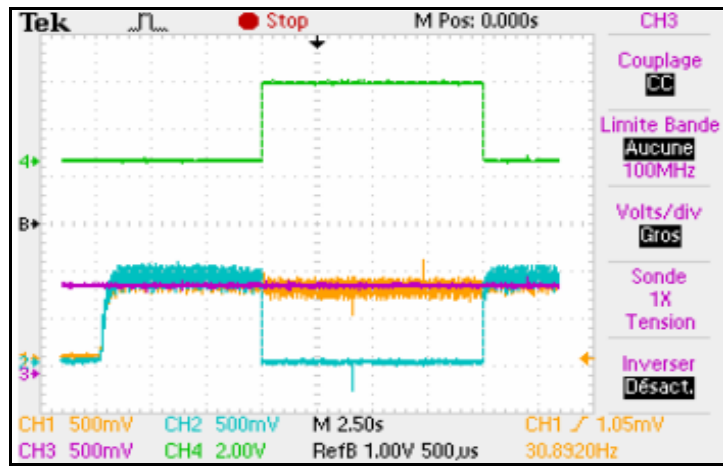


Fig. 7. Induction motor drive FTC performance under a speed sensor fault.

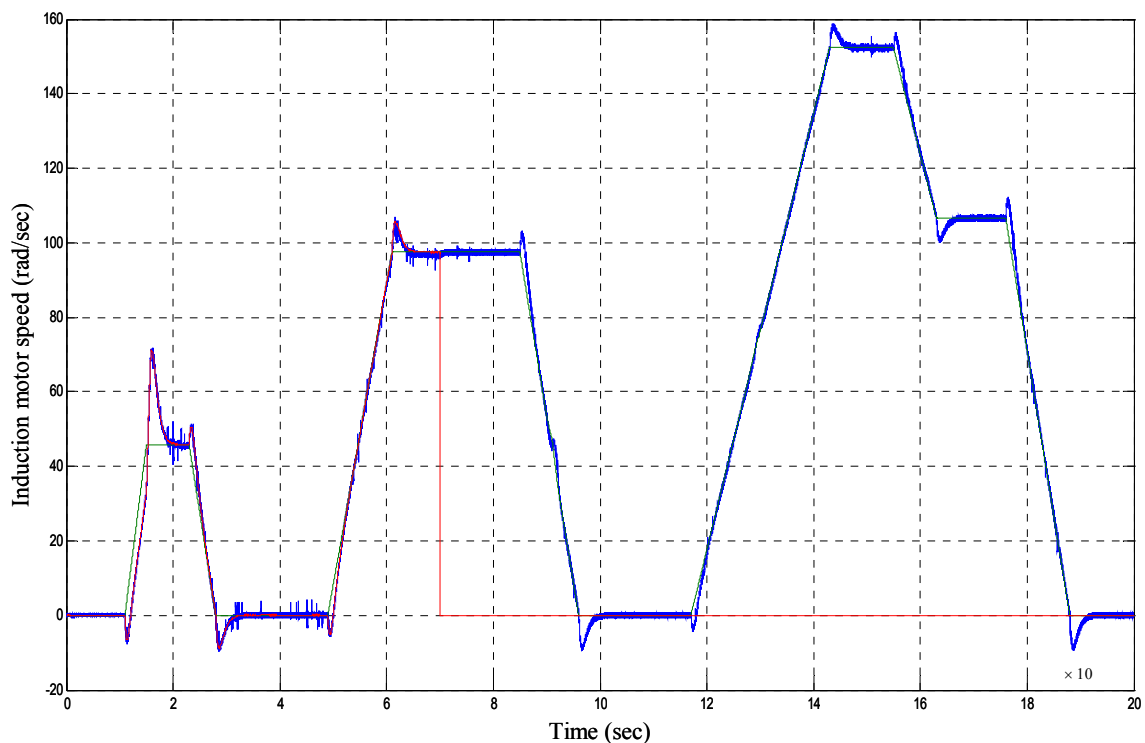


Fig. 8. EV FTC performances: Measured speed (red), Estimated speed (blue), and Reference speed (green).

Conclusion

This paper dealt with a fault-tolerant control for an induction motor-based EV experiencing sensor faults (current, voltage, and speed). The carried-out simulations and experiments confirm that the proposed sensor FTC approach is effective and provides a simple configuration with high performance in term of speed response. Moreover, the obtained results show the global consistency and effectiveness of the proposed FTC strategy in comparison to previous studies, even with other type of electric propulsions [2].

References

- [1] Campos-Delgado D.U. et al.: Fault-tolerant control in variable speed drives: a survey, *IET Electric Power Applications*, vol.2, n°2, pp. 121-134, March 2008.

- [2] Benbouzid M.E.H. et al.: Advanced fault-tolerant control of induction-motor drives for EV/HEV traction applications: From conventional to modern and intelligent control techniques, *IEEE Trans. Vehicular Technology*, vol. 56, n°2, pp. 519-528, March 2007.
- [3] Benbouzid M.E.H. et al.: Electric motor drive selection issues for HEV propulsion systems: A comparative study, *IEEE Trans. Vehicular Technology*, vol. 55, n°6, pp. 1756-1764, November 2006.
- [4] Tabbache B. et al.: An adaptive electric differential for electric vehicles motion stabilization, *IEEE Trans. Vehicular Technology*, vol. 60, n°1, pp. 104-110, January 2011.
- [5] Lee K.S. et al.: Instrument fault detection and compensation scheme for direct torque controlled induction motor drives, *IEE Proc. Control Theory Applications*, vol. 150, n°4, pp. 376-382, July 2003.
- [6] Rothenhagen K. et al.: Doubly fed induction generator model-based sensor fault detection and control loop reconfiguration, *IEEE Trans. Industrial Electronics*, vol. 56, n°10, pp. 4229-4238, October 2009.
- [7] Rothenhagen K. et al.: Current sensor fault detection, isolation, and reconfiguration for doubly fed induction generators, *IEEE Trans. Industrial Electronics*, vol. 56, n°10, pp. 4239-4245, October 2009.
- [8] Bennett S.M. et al.: Sensor fault-tolerant control of a rail traction drive, *Control Engineering Practice*, vol. 7, n°2, pp. 217-225, February 1999.
- [9] Akrad A. et al.: Design of a fault-tolerant controller based on observers for a PMSM drive, *IEEE Trans. Industrial Electronics*, vol. 58, n°4, pp. 1416-1427, April 2011.
- [10] Akın B. et al.: Simple derivative-free nonlinear state observer for sensorless AC drives, *IEEE/ASME Trans. Mechatronics*, vol. 11, n°5, pp.1083-4435, October 2006.
- [11] Harnefors L.: Instability phenomena and remedies in sensorless indirect field oriented control, *IEEE Trans. Power Electronics*, vol. 15, n°4, pp. 733-743, July 2002.