



HAL
open science

Robust laser frequency stabilization by serrodyne modulation

Ralf Kohlhaas, Thomas Vanderbruggen, Simon Bernon, Andrea Bertoldi, Arnaud Landragin, Philippe Bouyer

► **To cite this version:**

Ralf Kohlhaas, Thomas Vanderbruggen, Simon Bernon, Andrea Bertoldi, Arnaud Landragin, et al.. Robust laser frequency stabilization by serrodyne modulation. 2011. hal-00620816v1

HAL Id: hal-00620816

<https://hal.science/hal-00620816v1>

Preprint submitted on 8 Sep 2011 (v1), last revised 21 Feb 2012 (v2)

HAL is a multi-disciplinary open access archive for the deposit and dissemination of scientific research documents, whether they are published or not. The documents may come from teaching and research institutions in France or abroad, or from public or private research centers.

L'archive ouverte pluridisciplinaire **HAL**, est destinée au dépôt et à la diffusion de documents scientifiques de niveau recherche, publiés ou non, émanant des établissements d'enseignement et de recherche français ou étrangers, des laboratoires publics ou privés.

Robust laser frequency stabilization by serrodyne modulation

Ralf Kohlhaas,^{1,*} Thomas Vanderbruggen,¹ Simon Bernon,^{1,†} Andrea Bertoldi,¹ Arnaud Landragin,² and Philippe Bouyer^{1,3}

¹ Laboratoire Charles Fabry, UMR 8501, Institut d'Optique, CNRS, Univ. Paris Sud 11, Campus Polytechnique, 2 Avenue Augustin Fresnel, F-91127 Palaiseau cedex, France

² LNE-SYRTE, Observatoire de Paris, CNRS and UPMC, 61 avenue de l'Observatoire, F-75014 Paris, France

³ Laboratoire Photonique, Numérique et Nanosciences - LP2N Université Bordeaux - IOGS - CNRS : UMR 5298 Bat A30, 351 cours de la liberation, Talence, France

*Corresponding author: Ralf.Kohlhaas@institutoptique.fr

†Now at Universität Tübingen, D-72076 Tübingen, Germany

Compiled September 8, 2011

We report the frequency stabilization of a distributed feedback erbium-doped fiber laser on an optical cavity by serrodyne frequency shifting. A correction bandwidth of 2.4 MHz and a dynamic range of 220 MHz are achieved, which leads to a strong robustness against large disturbances up to high frequencies. Serrodyne frequency shifting allows to use an electro-optical modulator as a fast external transducer with a correction range which exceeds the one of acousto-optical modulators by at least one order of magnitude. © 2011 Optical Society of America

OCIS codes: 000.2170, 140.3425, 140.4780, 230.2090

The frequency stabilization of lasers is required in a wide range of applications such as optical atomic clocks [1], fibered frequency references [2], fiber sensors [3], gravitational wave detectors [4], and quantum optomechanical setups [5]. In these systems, the correction bandwidth and correction range are two key parameters to reach a low noise stabilization as well as to ensure the robustness against perturbations from the environment. Nevertheless, many commonly used lasers, such as fiber, dye or diode-pumped solid state lasers, have only piezo-electric transducers (PZT) as a mean for frequency correction. This limits the correction bandwidth to typically a few kHz. As a consequence, for higher frequencies, an external actuator is usually needed to extend the correction range. An acousto-optical modulator (AOM) can only reach a few hundred kHz bandwidth and a dynamic range of up to a few tens of MHz [6]. Instead, an electro-optical modulator (EOM) allows a higher correction bandwidth of several MHz but frequency shifts cannot be sustained and it operates on a small correction range [7, 8]. An optimal frequency actuator should pair the high bandwidth of an EOM with a large dynamic range and have the ability to hold the correction signal.

In this letter we present the implementation of optical serrodyne frequency shifting [9] in a stabilization scheme. This opens the way to use an EOM for a large correction bandwidth together with a broad correction range. It is thus very robust since it can compensate for large and fast disturbances. Moreover, the system offers very low optical losses thanks to the high shifting efficiency, and the method is suitable for all-fibered or integrated optics setups.

Serrodyne frequency shifting consists in the phase modulation of an optical wave with a saw-tooth signal of frequency f_{saw} and phase amplitude $2\pi m$ ($m \in \mathbb{N}$),

leading to a frequency displacement of mf_{saw} . The required saw-tooth waveform can be generated by a nonlinear transmission line (NLTL), a passive component which transforms a sinusoidal waveform in a high fidelity saw-tooth signal with the same fundamental frequency. Recently, serrodyne modulation was applied by feeding the output of a NLTL into an EOM. This led to serrodyne frequency shifts from 200 MHz to 1.6 GHz and efficiencies as high as 80% [10, 11]. By changing the frequency of the sinusoidal wave at the input of the NLTL, the frequency of the light at the output of the EOM is tuned. This can be used as an actuator in laser frequency stabilization.

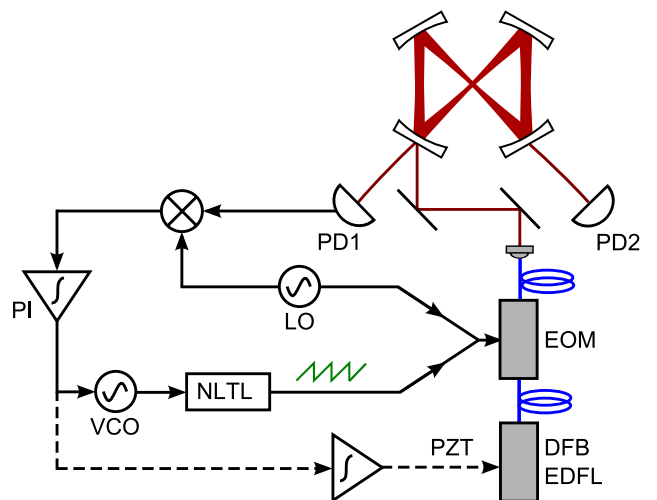


Fig. 1. (Color online) Setup of the laser stabilization on an optical cavity based on serrodyne frequency shifting (see text for notations). An optional feedback path (dashed lines) is added on the piezo transducer.

The method is demonstrated by the stabilization of a laser on an optical cavity, presented in Fig. 1. The employed cavity has a butterfly configuration [12]. It has a finesse of 10^3 at a wavelength of 1529 nm and a free spectral range of 976 MHz. A distributed feedback erbium-doped fiber laser (DFB EDFL, Koheras, NKT Photonics) at 1529 nm with a typical linewidth of a few kilohertz is injected into the cavity. The correction signal is obtained with the Pound-Drever-Hall (PDH) technique [13]. The optical beam is phase modulated at the local oscillator (LO) frequency of 20 MHz, and is detected with an InGaAs photodiode (PD1) after reflection on the injection mirror of the cavity. The demodulation with the LO provides an error signal (Fig. 2) which is sent to a proportional-integrator (PI) controller. The correction signal at the output of the controller is summed to a voltage offset chosen to set the open loop operating frequency of the voltage controlled oscillator (VCO, ZX95-625-S+, Minicircuits) to 390 MHz. The output of the VCO is amplified to a power of 27 dBm by a rf amplifier (ZHL-1-2W-S-09-SMA, Minicircuits) to reach the optimal serrodyne shifting efficiency. The signal feeds a NLTL (7112-110, Picosecond Pulse Labs, 300-700 MHz nominal input range) which generates harmonics of the fundamental frequency up to 20 GHz. The resulting saw-tooth waveform is then combined to the LO signal using a broadband power combiner (ZX10R-14-S+, Minicircuits) and sent to the fibered EOM (PM-0K5-00-PFA-PFA, Eospace). The amplitude of the saw-tooth was chosen to match a phase shift of 2π on the phase modulator, thus leading to a frequency shift of the light equal to the frequency of the VCO. In a thermally noncontrolled environment, large long term drifts may overcome the correction range of the serrodyne scheme. In such a case, a low frequency correction can be added on the laser piezo transducer (PZT) by an additional integration of the output of the PI (see Fig. 1). This additional correction also keeps constant the mean frequency of the serrodyne modulation and therefore the serrodyne shifting efficiency.

In Fig. 2, the transmission of the optical cavity and the error signal are shown when the length of the resonator is scanned. It demonstrates the feasibility to produce the frequency shifting and the modulation sidebands on a single EOM. The incident light and the error signal are shifted by 390 MHz. A shifting efficiency of 69 % is reached on the transmission, whereas the shifting efficiency of the PDH signal is 76 %. Since the EOM is already included in the optical system for the error signal generation, an additional optical loss of only 1.6 dB is introduced by the serrodyne modulation. Indeed, light which is not frequency shifted remains either at the initial frequency (about 3 % of the total power) or is transferred to higher harmonics of the modulation frequency (28 %). These spurious frequency components are intrinsically filtered by the optical cavity. The frequency shifting range goes from 280 MHz (limited by the VCO) to 500 MHz (limited by the rf amplifier before the NLTL),

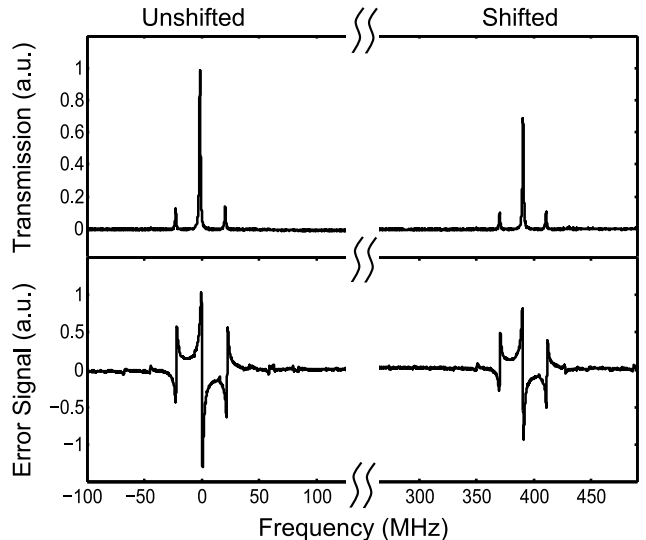


Fig. 2. (Top) The transmission signal obtained on PD2 when scanning the length of the optical cavity without (left) and with (right) serrodyne frequency shifting. (Bottom) The error signal obtained by the Pound-Drever-Hall technique is also shifted by the serrodyne modulation.

corresponding to a span of 220 MHz. It could be potentially extended to more than 1 GHz using another NLTL (e.g. NLTL 7113-110, Picosecond pulse labs), associated with a suitable controllable oscillator and rf amplifier.

With the serrodyne shifting technique the stabilization of the laser to the optical cavity with a bandwidth of 2.4 MHz is obtained. This bandwidth is limited by phase shifts occurring in the servo electronics. The noise power spectral density (PSD) of the relative frequency between the laser and the cavity mode is shown in Fig. 3. It was measured from the phase-sensitive demodulation of the

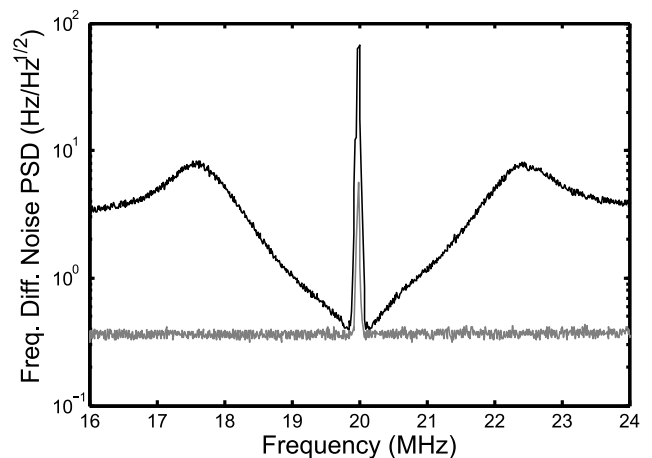


Fig. 3. Noise PSD of the relative frequency between the laser and the optical cavity mode (black) and of the intensity noise on PD1 (grey) converted into the relative frequency PSD. The servo bumps at 2.4 MHz from the carrier indicate the bandwidth of the lock.

beatnote between the carrier and the sidebands on PD1, then converted to relative frequency noise using the slope of the PDH signal. In addition, it was corrected for the transfer function of the cavity of $(1 + (f/f_0)^2)^{-1/2}$ where $f_0 = 1$ MHz is the cavity linewidth. The error signal approaches the intensity noise level on PD1 (converted to a relative frequency noise of $0.4 \text{ Hz/Hz}^{1/2}$) at frequencies below 10 kHz from the carrier. The presence of a peak at the modulation frequency both for the amplitude and relative frequency noise is due to a residual amplitude modulation of the EOM and to a parasitic signal from the LO.

The high loop bandwidth of 2.4 MHz and the broad dynamic range of 220 MHz lead to a very robust stabilization against large disturbances. To simulate perturbations, we add a sinusoidal waveform to the correction signal that drives the VCO. In addition, we define the maximal correction range as the point beyond which the external perturbation leads to frequency fluctuations between the laser and the cavity equal to the cavity linewidth. The value of this limit versus the perturbation frequency is shown in Fig. 4. From 1 kHz to 10 kHz, the upper limit is given by the full dynamic range. Above 10 kHz, the correction range is limited by the gain of the PI controller. For perturbations at 800 kHz the system can still correct for frequency shifts of 8 MHz. The performance of the stabilization by serrodyne frequency shifting is compared to a scheme where a similar DFB EDFL at 1550 nm is stabilized on the same optical cavity with an AOM in double-pass configuration [6]. Here, a dynamical range of 20 MHz and a correction bandwidth of 250 kHz are found, as typical for AOM based systems. The serrodyne stabilization loop thus allows to correct for frequency disturbances which are at least one order of magnitude larger than for an AOM and thanks to its higher bandwidth it can act where an AOM does not operate. In both systems the PZT transducer will increase the maximal correction range for frequencies below a few

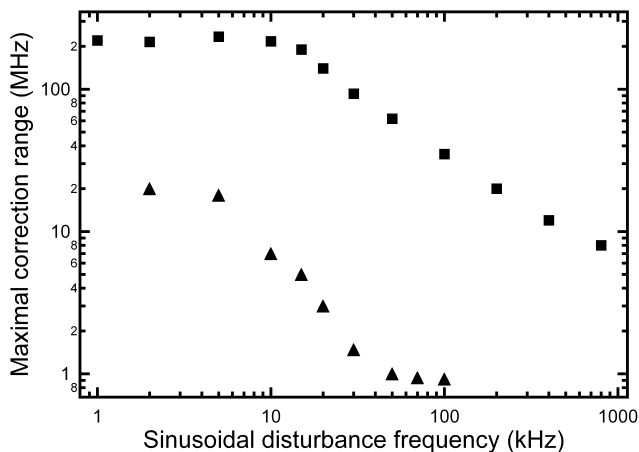


Fig. 4. Comparison of the lock robustness obtained with the serrodyne shifting technique (squares) and with a double-pass AOM system (triangles).

hundred Hz.

We demonstrated the frequency stabilization of a laser on an optical cavity by serrodyne frequency shifting. The technique benefits from an EOM for frequency correction which leads to a high correction bandwidth (2.4 MHz here). At the same time, a large correction range can be achieved (220 MHz here). The optical setup containing the laser and the EOM is all-fibered and thus insensitive to mechanical vibrations. Since the EOM is already included for the error signal generation, only electrical components are added to implement the feedback loop. This leads to a simple and efficient frequency stabilization scheme, which could be further improved by electro-optical integration techniques [14]. In addition, serrodyne frequency shifting provides very robust locks. It opens the way to use optical resonators in transportable systems which operate in harsh environments [16, 17], e.g. for optical frequency generation [15] or applications in atomic physics [12].

We thank F. Moron and A. Villing for technical assistance. We acknowledge funding support from DGA, IFRAF and EU (project iSENSE). The work of A. B. was supported by the European IEF Grant PIEF-GA-2009-235375.

References

1. Y. Y. Jiang, A. D. Ludlow, N. D. Lemke, R. W. Fox, J. A. Sherman, L.-S. Ma, and C. W. Oates, *Nature Photon.* **5**, 158 (2011).
2. H. Jiang, F. Kéfélian, S. Crane, O. Lopez, M. Lours, J. Millo, D. Holleville, P. Lemonde, Ch. Chardonnet, A. Amy-Klein, and G. Santarelli, *JOSA B* **25**, 2029 (2008).
3. J. H. Chow, D. E. McClelland, and M.B. Gray, *Opt. Lett.* **30**, 1923 (2005).
4. I. Zawischa, M. Brendel, K. Danzmann, C. Fallnich, M. Heurs, S. Nagano, V. Quetschke, H. Welling and B. Willke, *Class. Quantum Grav.* **19**, 1775 (2002).
5. P. Verlot, A. Tavernarakis, T. Briant, P.-F. Cohadon, and A. Heidmann, *Phys. Rev. Lett.* **104**, 133602 (2010).
6. A. Bertoldi, S. Bernon, T. Vanderbruggen, A. Landragin, and P. Bouyer, *Opt. Lett.* **35**, 3769 (2010).
7. J. Hall and T. W. Hänsch, *Opt. Lett.* **9**, 502 (1984)
8. N. Ohmae, S. Moriwaki, and N. Mio, *Rev. Sci. Instr.* **81**, 073105 (2010).
9. K. K. Wong, R. M. De La Rue, and S. Wright, *Opt. Lett.* **7**, 546 (1982).
10. R. Houtz, C. Chang, and H. Müller, *Opt. Expr.* **17**, 19235 (2009).
11. D.M.S. Johnson, J.M. Hogan, S.-W. Chiow, and M. A. Kasevich, *Opt. Lett.* **35**, 745 (2010).
12. S. Bernon, T. Vanderbruggen, R. Kohlhaas, A. Bertoldi, A. Landragin, and P. Bouyer, *New. J. Phys.* **13**, 065021 (2011).
13. R. W. P. Drever, J. L. Hall, F. V. Kowalski, J. Hough, G. M. Ford, A. J. Munley, and H. Ward, *Appl. Phys. B* **31**, 97 (1983).
14. D. M. S. Johnson, J. M. Hogan, S.-W. Chiow, and M. A. Kasevich, *J. Lightw. Technol.* **29**, 666 (2011).
15. E. Mimoun, L. De Sarlo, J.-J. Zondy, J. Dalibard, and F. Gerbier, *Opt. Expr.* **16**, 18684 (2008).

16. R. Geiger, V. Ménoiret, G. Stern, N. Zahzam, P. Cheinet, B. Battelier, A. Villing, F. Moron, M. Lours, Y. Bidel, A. Bresson, A. Landragin, and P. Bouyer, *Nat. Commun.* 2011 (in press).
17. T. van Zoest, N. Gaaloul, Y. Singh, H. Ahlers, W. Herr, S. T. Seidel, W. Ertmer, E. Rasel, M. Eckart, E. Kajari, S. Arnold, G. Nandi, W. P. Schleich, R. Walser, A. Vogel, K. Sengstock, K. Bongs, W. Lewoczko-Adamczyk, M. Schiemangk, T. Schuldt, A. Peters, T. Könemann, H. Müntinga, C. Lämmerzahl, H. Dittus, T. Steinmetz, T. W. Hänsch, and J. Reichel, *Science* **328**, 1540 (2010).