

***PALB2* analysis in *BRCA2*-like families**

M.A. Adank¹, S.E. van Mil¹, J.J.P. Gille¹, Q. Waisfisz¹, H. Meijers-Heijboer¹

¹ Department of Clinical Genetics, VU Medical Center, Amsterdam, the Netherlands

Corresponding author:

Prof. Dr. H. Meijers-Heijboer
Department of Clinical Genetics
VU Medical Center, Amsterdam
PO Box 7057
1081 HV, Amsterdam
Telephone: +31 20 4440786
Fax: +31 20 4440769
Email: h.meijers@vumc.nl

Key words (6): *PALB2*; *BRCA2*; breast cancer; Fanconi Anemia; ovarian cancer; pancreatic cancer

Word count: Abstract 186, Text 2317

Abstract

BRCA2 and PALB2 function together in the Fanconi Anemia (FA) –Breast Cancer (BRCA) pathway. Mono-allelic and bi-allelic *BRCA2* and *PALB2* mutation carriers share many clinical characteristics. Mono-allelic germline mutations of *BRCA2* and *PALB2* are risk alleles of female breast cancer and have also been reported in familial pancreatic cancer, and bi-allelic mutations cause a severe form of Fanconi Anemia. In view of these similarities, we investigated whether the prevalence of *PALB2* mutations was increased in breast cancer families with the occurrence of *BRCA2* associated tumours other than female breast cancer. *PALB2* mutation analysis was performed in 110 non-*BRCA1/2* cancer patients: a) 53 ovarian cancer patients from female breast-and/or ovarian cancer families; b) 45 breast cancer patients with a first or second degree relative with pancreatic cancer; and c) 12 male breast cancer patients from female breast cancer families. One truncating *PALB2* mutation, c.509_510delGA, resulting in p.Arg170X, was found in a male breast cancer patient. We conclude that germline mutations of *PALB2* do not significantly contribute to cancer risk in non-*BRCA1/2* cancer families with at least one patient with ovarian cancer, male breast cancer, and/or pancreatic cancer.

Introduction

Breast cancer (BC) is a major cause of cancer related deaths among women. At present 20% of familial breast cancer is explained by germline mutations in known breast cancer predisposition genes. The high risk breast cancer susceptibility genes *BRCA1* and *BRCA2* account for the majority of these causative mutations [1]. Heterozygous *BRCA1* mutation carriers are at high risk of female breast cancer and ovarian cancer. Heterozygous *BRCA2* mutation carriers are at high risk of female breast cancer, and several other cancers. Estimated cumulative risks from several studies varies in *BRCA2* female carriers from 14-24% for ovarian cancer, and 3 % for pancreatic cancer [2,3]. In male *BRCA2* carriers cancer risk is estimated around 6-7% for pancreatic cancer and male breast cancer [2,3].

One of the pathways often involved in breast cancer susceptibility is the Fanconi Anemia (FA) –Breast Cancer (BRCA) pathway [4]. At present, 13 FA genes have been identified. FA is an autosomal recessive or X-linked inherited disorder with hypersensitivity to DNA cross-linking agents and chromosomal instability at the cellular level. Clinically FA is characterized by congenital malformations, bone marrow failure and predisposition to cancer, primarily acute myeloid leukemia and squamous cell carcinoma.

BRCA2 and *PALB2* are two of the currently known FA genes. *PALB2* (*FANCN*), which is named to its function as a partner and localizer of *BRCA2* (*FANCD1*) [5-7]. *PALB2* has been shown to enable the *BRCA2* protein to function in DNA repair by stabilization in nuclear foci [8].

BRCA2 and *PALB2*, also share additional clinical features, namely an increased risk to childhood solid tumours in bi-allelic mutation carriers and an increased risk to female breast cancer (RR of 8-10 and 2, respectively) and pancreatic cancer in mono-allelic mutation carriers [1,7,9,10].

In view of the overlapping phenotype and function of BRCA2 and PALB2, we hypothesized that *PALB2* mutations may preferentially associate with *BRCA1/2* negative tested cancer families with a *BRCA2*-like cancer phenotype, namely families in which *BRCA2*-associated tumours other than female breast cancer are observed. We screened *PALB2* in a cohort of 110 cancer patients from non-*BRCA1/2* families selected for ovarian cancer, pancreatic cancer and male breast cancer.

The prevalence of *PALB2* mutations was low in our enriched non-*BRCA1/2* cohort since only one truncating mutation was found.

Materials and Methods

Cohort

A total of 110 cases from independent families referred to the clinical genetics department of the VU Medical Center in Amsterdam between 1994 and 2008 were analysed for *PALB2* mutations and large deletions. All cases were excluded for mutations in *BRCA1* and *BRCA2* genes. Individuals with a *BRCA2* associated tumour were selected for this study on the basis of being affected with: a) ovarian cancer (n=53) with a family history of female breast-and/or ovarian cancer (age at diagnosis of ovarian cancer ranged from 22-76 years, average 54 years), b) female breast cancer with a first or second degree relative with pancreatic cancer (n=45, age at diagnosis of breast cancer ranged from 23-74 years, average 43 years) and c) male breast cancer with a family history of female breast cancer (n=12, age at diagnosis of male breast cancer ranged from 32-77 years, average 54 years).

Of the 53 women with ovarian cancer 16 had a personal history of both ovarian cancer and breast cancer. Of the 45 breast cancer cases 8 were bilaterally affected.

Mutation carrier probability in our cohort was scored with two manual *BRCA1/2* risk assessment models. Of our selected cases 60% and 39% scored a $\geq 15\%$ and $\geq 20\%$ probability of being carrier of a *BRCA1/2* mutation according to Myriad II (Frank model), respectively (www.myriadtests.com). Since this model does not account for relatives with breast cancer above 50 and/or relatives with pancreatic cancer, we also scored the families with the Manchester model, which appears to be more predictive for *BRCA2* mutations [11]. The total Manchester score was ≥ 15 or ≥ 20 in 72% and 43% of the selected families, respectively.

All cases gave informed consent to search for new cancer susceptibility genes.

Sequencing and MLPA

The presence of germline mutations in *PALB2* was evaluated by direct sequencing of the entire coding region and intron-exon boundaries on genomic DNA isolated from whole blood.

Primer pairs that were used have been previously described [6].

To determine the segregation of the c.509_510delGA mutation in the family a nested PCR within exon 4 of *PALB2* was performed using the following forward (F) and reverse (R) primer sequences surrounding the mutation; F 5'-GAA GCA GCA GAA GAG GAC AT-3' and R 5'-TTC AGT TAC TGG TGA TCT AGC-3'. DNA was isolated from whole blood from one sister and DNA was isolated from paraffin embedded normal and tumour tissue from the deceased sister (Figure 1).

The presence of large deletions in the *PALB2* gene was analyzed by Multiplex Ligation-dependent Probe Amplification (MLPA) using the MLPA P057 kit of MRC-Holland as previously described [12]. As a positive control, genomic DNA from the previously described *PALB2* FA patient EUFA1341 was included in the analysis [6].

All coding exons (including intron/exon boundaries) of *BRCA1* and *BRCA2* were screened for mutations by a combination of denaturing gradient gel electrophoresis and DNA sequencing.

In addition, *BRCA1* was tested for exon deletions and duplications by MLPA.

Results

Sequence analysis of the *PALB2* gene in a selected cohort of 110 non-*BRCA1/2* cases (for selection see Materials and Methods) revealed a frameshift mutation in exon 4, c.509_510delGA. The mutation is predicted to result in p.Arg170X at the protein level and was identified in one of the male breast cancer cases (Figure 1). The male patient had breast cancer and a melanoma in situ, both at age 62 years. The breast cancer was a grade 3 invasive ductal carcinoma, which was positive for Estrogen (ER) and Progesteron (PR), and negative for Her2. He died at the age of 64 years. The melanoma in situ was located on his back.

The *PALB2* mutation was not present in DNA isolated from paraffin embedded tumour and normal breast tissue from the deceased sister with lobular breast cancer (ER negative, PR negative and Her2 positive). DNA of the mother and one of the affected sisters with breast cancer was not available. Although not considered as a *BRCA* associated tumour, we did test whole blood DNA from the sister with uterine carcinoma at age 77 years. She did not carry the mutation either.

Seven different amino acid substitutions were found. All are known SNP's and six have been previously described to occur frequently and in equal percentages in affected breast cancer cases and controls [13]. One of these variants, the L939W, is predicted (although with low confidence) to possibly affect the protein function in three in silico tests (PolyPhen, SIFT and align GVGD). However, this variant was found in three previous studies including the large breast cancer case control study by Rahman et al. [13-15]. Therefore all missense variants are unlikely to have a significant pathogenic effect (Table 1). Intronic and synonymous variants which are not predicted to affect splicing are unlikely to have any clinical relevance (Table 1). The cohort was also analyzed for larger deletions using MLPA in *PALB2*. No alterations in the *PALB2* gene were identified by MLPA in any of the 110 cases.

Discussion

The chance of finding a cancer predisposing allele generally increases when families harbour increasing numbers of patients, or multiple phenotypes associated with the risk allele. For example the mutation rate in the high-risk breast cancer predisposing genes *BRCA1* and *BRCA2* increases dramatically in an individual when multiple cases of early onset breast cancer, or additionally ovarian cancer occurs within the family (www.myriadtests.com).

Likewise, for the low-risk breast cancer predisposing allele *CHEK2**1100delC the chance of finding this allele increases from 1%, 3%, to 5-6% in the Dutch population, in sporadic breast cancer, and in familial breast cancer or in bilateral breast cancer [16, 17]. Statistical modeling showed that this was best explained by a polygenic model in which multiple low-risk alleles increased cancer risk in a multiplicative way [16].

We therefore hypothesized that the frequency of mutations in the moderate risk breast cancer predisposing gene *PALB2* may increase in case additional cancer phenotypes are present within the family.

We screened a cohort of 110 non-*BRCA1/2* cancer patients, including 53 ovarian cancer patients, 45 female breast cancer patients with a first-or second degree relative with pancreatic cancer and 12 male breast cancer patients, for the presence of truncating mutations in the *PALB2* gene by sequencing and MLPA analysis. Direct sequencing revealed one truncating mutation (p.Arg170X) in a male breast cancer patient, which was not present in DNA from one sister with breast cancer and in the sister with uterine cancer (Figure 1).

MLPA did not detect any deletion in our cohort. Previously we already described that exon deletions and duplications in *PALB2* were not observed in a large cohort of Dutch familial breast cancer patients [12].

The *PALB2* mutation frequency in this enriched cohort with *BRCA2* associated tumours was not increased when compared to the described prevalence of approximately 1% in familial non-*BRCA1/2* breast cancer cohorts [13, 14, 18].

Currently there is evidence that *PALB2* is involved in predisposition to breast cancer and familial pancreatic cancer, but this is lacking for other cancers, **in particular** male breast cancer and ovarian cancer.

In total 77 *PALB2* mutation-positive cases have been identified mainly in familial or early onset breast cancer cohorts from different populations [13, 15, 18-25]. Of the 77 described *PALB2* mutation cases, 52 are carrier of the 1592delT Finnish founder mutation, which could influence the currently known phenotype [19, 24, 26]. The selection criteria of these previous breast cancer studies varied, but most studies included *BRCA1/2* mutation negative early onset breast cancer patients with diagnosis under 50 years or breast cancer patients from families with first or second degree relatives affected with breast-or ovarian cancer in unknown numbers.

Ovarian cancer is the most prevalent cancer type in *BRCA2* mutated families next to breast cancer. Our cohort included 53 familial ovarian cancer patients, but no mutation was found in *PALB2* in any of these cases.

Recently a Polish study tested a set of sporadic 70 ovarian carcinomas for *PALB2* mutations [27]. Remarkably they found the same mutation (c.509_510delGA) as we did. After this finding they analyzed additional cohorts for the prevalence of the c.509_510delGA mutation: a cohort of 339 unselected tumour fragments of ovarian carcinomas; a cohort of 982 breast cancer patients, of which 648 familial cases; and 1310 controls. They identified this mutation in 2 out of 339 ovarian cancers (0,6%), 4 out of 982 breast cancers (0,4%; all familial cases), and 1 out of 1310 controls (0,08%). One of the ovarian cancer patients appeared to carry a pathogenic *BRCA2* mutation. Most of the cancer cases included in this study were not or only

partially analyzed for mutations of *BRCA1* and *BRCA2*. Since the c.509_510delGA mutation was recurrently found in the Polish population, it was suggested to be a possible *PALB2* founder mutation in central Poland. Till now all mutations, except the Finnish *PALB2* founder mutation, were unique. We identified the c.509_510delGA mutation in a male breast cancer patient from Dutch ancestry. The c.509_510delGA mutation may therefore either represent a recurrent mutation or a founder mutation with a much larger geographical distribution than central Poland.

The data of this Polish study and our data suggest that *PALB2* has only a marginal role in ovarian cancer predisposition.

Pancreatic cancer risk related to *PALB2* was evaluated in familial (n=197) and in sporadic pancreatic cancer cases (n=114) [10, 28]. In total 5 *PALB2* mutation carriers with pancreatic cancer were identified. All but one of these five families were also affected with breast cancer and the only two female *PALB2* mutation carriers both suffered from pancreatic cancer and breast cancer. We analyzed 45 breast cancer patients with a first or second degree relative with pancreatic cancer. However, no truncating mutation was found.

The only truncating mutation (p.Arg170X) in our cohort was found in one out of 12 male breast cancers patients. This confirms the results of a previous breast cancer study in which one out of 15 female breast cancer patients with male breast cancer in the family contained a mutation (6.7%) [13]. Three previous studies have reported on the frequency of *PALB2* mutations in male breast cancer. In 141 unselected Finnish male patients, the Finnish *PALB2* founder mutation was not found [19]. The whole coding sequence of *PALB2* was analyzed in 25 Australian male breast cancer cases from breast cancer families, and in 97 *BRCA1/2* negative male breast cancer cases from Italy, of which 26% had a positive family history of breast and/or ovarian cancer in a first degree relative. No truncating mutations were found in either study [29, 30].

Overall, these data do not suggest a significant relation of *PALB2* mutations and male breast cancer.

With respect to various other cancers the Finnish *PALB2* founder mutation was tested in two independent studies including in total 476 unselected colorectal cancer cases, 1223 unselected prostate cancer cases, and 342 familial prostate cancer cases [19, 26]. Two familial and two unselected prostate cancer cases carried the founder mutation (0,6% and 0,16% respectively). Of note, the frequency of the Finnish *PALB2* founder mutation is 0,2% in the general (Finnish) population. Tischkowitz et al. sequenced *PALB2* in 95 prostate cancer families from American descent and found no truncating mutations [31]. Overall, these data suggest that these cancer types are not significantly associated with mutations in *PALB2*. Cancer types that are still disputed to be associated with *BRCA2*, like prostate cancer, colonic cancer, melanoma, and stomach cancer were left out of our cohort.

To conclude there is no enrichment for the prevalence of germline heterozygous *PALB2* mutations in familial non-*BRCA1/2* ovarian cancer patients, breast cancer patients with a familial history of pancreatic cancer, and familial non-*BRCA1/2* male breast cancer patients. Therefore diagnostic testing of *PALB2* in non-*BRCA1/2* families is not indicated in these settings.

Conflict of interest

None declared by any of the authors.

Acknowledgement

We are thankful for the kind cooperation of all families and to Roeline van der Eijk who helped selecting these families. We would also like to thank Marijke Hagmeijer and Louise de Lange who counselled several women from the mutation family. This study was funded by

The Netherlands Organisation for Scientific Research (NWO) as part of the ZonMw/VIDI grant filenumber 91756341.

References:

1. Stratton MR, Rahman N (2008) The emerging landscape of breast cancer susceptibility. Nat Genet 40:17-22. doi:10.1038/ng.2007.53

2. Thompson D, Easton D, Breast Cancer Linkage Consortium (2001) Variation in cancer risks, by mutation position, in BRCA2 mutation carriers. Am J Hum Genet 68:410-419. doi:10.1086/318181

3. van Asperen CJ, Brohet RM, Meijers-Heijboer EJ, Hoogerbrugge N, Verhoef S, Vasen HFA, Ausems MGEM, Menko FH, Gomez Garcia EB, Klijn JMG, Hogervorst FBL, van Houtwelingen JC, van 't Veer LJ, Rookus MA, van Leeuwen FE, Netherlands Collaborative Group on Hereditary Breast Cancer (HEBON) (2005) Cancer risks in BRCA2 families: estimates for sites other than breast and ovary. J Med Genet 42:711-719. doi:10.1136/jmg.2004.028829

4. Wang W (2007) Emergence of a DNA-damage response network consisting of Fanconi anaemia and BRCA Proteins. Nat Rev Genet 8:735-748. doi:10.1038/nrg2159

5. Xia B, Sheng Q, Nakanishi K, Ohashi A, Wu J, Christ N, Liu X, Jasin M, Couch FJ, Livingstone DM (2006) Control of BRCA2 cellular and clinical functions by a nuclear partner, PALB2. Mol Cell 22:719-729. doi:10.1016/j.molcel.2006.05.022 |

6. Xia B, Dorsman JC, Ameziane N, de Vries Y, Rooimans MA, Sheng Q, Pals G, Errami A, Gluckman E, Llera J, Wang W, Livingston DM, Joenje H, de Winter JP (2007) Fanconi anemia is associated with a defect in the BRCA2 partner PALB2. *Nat Genet* 39:159-161. doi:10.1038/ng1942
7. Reid S, Schindler D, Hanenberg H, Barker K, Hanks S, Kalb R, Neveling K, Kelly P, Seal S, Freund M, Wurm M, Batish SD, Lach FP, Yetgin S, Neitzel H, Ariffin H, Tischkowitz M, Mathew CG, Auerbach AD, Rahman N (2007) Biallelic mutations in *PALB2* cause Fanconi anemia subtype FA-N and predispose to childhood cancer. *Nat Gen* 39:162-164. doi:10.1038/ng1947
8. Zhang F, Fan Q, Ren K, Andreassen PR (2009) PALB2 functionally connects the breast cancer susceptibility proteins BRCA1 and BRCA2. *Mol Cancer Res* 7:1110-1118. doi:10.1158/1541-7786
9. Alter BP, Rosenberg PS, Brody LC (2007) Clinical features associated with biallelic mutations in *FANCD1/BRCA2*. *J Med Genet* 44:1-9. doi:10.1136/jmg.2006.043257
10. Jones S, Hruban RH, Kamiyama M, Borges M, Zhang X, Williams Parsons D, Cheng-Ho Lin J, Palmisano E, Brune K, Jaffee E.M., Iacobuzio-Donahue C, Maitra A, Parmigiani G, Kern SE, Velculescu VE, Kinzler KW, Vogelstein B, Eshleman JR, Goggins M, Klein AP (2009) Exomic sequencing identifies PALB2 as a pancreatic cancer susceptibility gene. *Science* 324:217. doi:10.1126/science.1171202

11. Evans DGR, Eccles DM, Rahman N, Young K, Bulman M, Amir E, Shenton A, Howell A, Lalloo F (2004) A new scoring system for the chances of identifying a *BRCA1/2* mutation outperforms existing models including BRCAPRO. *J Med Genet* 41:474-480.

doi:10.1136/jmg.2003.017996

12. Ameziane N, van den Ouweland AM, Adank MA, Vijzelaar RN, Errami A, Dorsman JC, Joenje H, Meijers-Heijboer H, Waisfisz Q (2009) Lack of large genomic deletions in *BRIP1*, *PALB2*, and *FANCD2* genes in *BRCA1/2* negative familial breast cancer. *Breast Cancer Res Treat* 118:651-653. doi:10.1007/s10549-009-0428-8

13. Rahman N, Seal S, Thompson D, Kelly P, Renwick A, Elliott A, Reid S, Spanova K, Barfoot R, Chagtai T, Jayatilake H, McGuffog L, Hanks S, Evans DG, Eccles D, The Breast Cancer Susceptibility Collaboration (UK), Easton DF, Stratton MR (2007) *PALB2*, which encodes a *BRCA2*-interacting protein, is a breast cancer susceptibility gene. *Nat Gen* 39:165-167. doi:10.1038/ng1959

14. Tischkowitz M, Xia B, Sabbaghian N, Reis-Filho JS, Hamel N, Li G, van Beers EH, Li L, Khalil T, Quenneville LA, Omeroglu A, Poll A, Lepage P, Wong N, Nederlof PM, Ashworth A, Tonin PN, Narod SA, Livingstone DM (2007) Analysis of *PALB2/FANCN*-associated breast cancer families. *Proc Natl Acad Sci* 104:16:6788-6793. doi:10.1073/pnas.0701724104

15. Garcia M J, Fernandez V, Osorio A, Barroso A, Llorca G, Lazaro C, Blanco I, Caldes T, de la Hoya M, Ramon y Cajal T, Alonso C, Tejada M-I, San Roman C, Robles-Diaz L, Urioste M, Benitez J (2009) Analysis of *FANCB* and *FANCN/PALB2* Fanconi Anemia genes in *BRCA1/2*-negative Spanish breast cancer families. *Breast Cancer Res Treat* 113:545-551.

doi:10.1007/s10549-008-9945-0

16. Meijers-Heijboer H, van den Ouweland A, Klijn J, Wasielewski M, de Snoo A, Oldenburg R, Hollestelle A, Houben M, Crepin E, van Veghel-Plandsoen M, Elstrodt F, van Duijn C, Bartels C, Meijers C, Schutte M, McGuffog L, Thompson D, Easton D, Sodha N, Seal S, Barfoot R, Mangion J, Chang-Claude J, Eccles D, Eeles R, Evans DG, Houlston R, Murday V, Narod S, Peretz T, Peto J, Phelan C, Zhang HX, Szabo C, Devilee P, Goldgar D, Futreal PA, Nathanson KL, Weber B, Rahman N, Stratton MR; CHEK2-Breast Cancer Consortium (2002) Low-penetrance susceptibility to breast cancer due to *CHEK2**1100delC in noncarriers of *BRCA1* or *BRCA2* mutations. *Nat Genet* 31:55-59. doi:10.1038/ng879

17. Broeks A, de Witte L, Nooijen A, Huseinovic A, Klijn JGM, van Leeuwen FE, Russell NS, van 't Veer LJ (2004) Excess risk for contralateral breast cancer in *CHEK2**1100delC germline mutation carriers. *Breast Cancer Res Treat* 83:91-93.

doi:10.1023/B:BREA.0000010697.49896.03

18. Cao A-Y, Huang J, Hu Z, Li W-F, Ma Z-L, Tang L-L, Zhang B, Su F-X, Zhou J, Di G-H, Shen K-W, Wu J, Lu J-S, Luo J-M, Yuan W-T, Shen Z-Z, Huang W, Shao Z-M (2008) The prevalence of *PALB2* germline mutations in *BRCA1/BRCA2* negative Chinese women with early onset breast cancer or affected relatives. *Breast Cancer Res Treat* 114:457-462

doi:10.1007/s10549-008-0036-z

19. Erkkö H, Xia B, Nikkilä J, Schleutker J, Syrjäkoski K, Mannermaa A, Kallioniemi A, Pylkäs K, Karppinen S-M, Rapakko K, Miron A, Sheng Q, Li G, Mattila H, Bell DW, Haber DA, Grip M, Reiman M, Jukkola-Vuorinen A, Mustonen A, Kere J, Aaltonen LA, Kosma

V-M, Kataja V, Soini Y, Drapkin RI, Livingstone DM, Winqvist R (2007) A recurrent mutation in *PALB2* in Finnish cancer families. *Nature* 446:316-319. doi:10.1038/nature05609

20. Foulkes WD, Ghadirian P, Akbari MR, Hamel N, Giroux S, Sabbaghian N, Darnel A, Royer R, Poll A, Fafard E, Robidoux A, Martin G, Bismar TA, Tischkowitz M, Rousseau F, Narod SA (2007) Identification of a novel truncating *PALB2* mutation and analysis of its contribution to early-onset breast cancer in French-Canadian women. *Breast Cancer Res* 9:R83. doi:10.1186/bcr1828

21. McInerney NM, Miller N, Rowan A, Colleran C, Barclay E, Curran C, Kerin MJ, Tomlinson IP, Sawyer E (2009) Evaluation of variants in the *CHEK2*, *BRIP1* and *PALB2* genes in an Irish breast cancer cohort. *Breast Cancer Res Treat* 121:203-210. doi:10.1007/s10549-009-0540-9

22. Sluiter M, Mew S, van Rensburg EJ (2009) *PALB2* sequence variants in young South African breast cancer patients. *Fam Cancer* 8:347-353. doi:10.1007/s10689-009-9241-0

23. Papi L, Putignano AL, Congregati C, Piaceri I, Zanna I, Sera F, Morrone D, Genuardi M, Palli D (2009) A *PALB2* germline mutation associated with hereditary breast cancer in Italy. *Fam Cancer* doi:10.1007/s10689-009-9295-z

24. Heikinnen T, Kärkkäinen H, Aaltonen K, Milne RL, Heikkilä P, Aittomäki K, Blomqvist C, Nevanlinna H (2009) The breast cancer susceptibility mutation *PALB2 1592delT* is associated with an aggressive tumor phenotype. *Clin Cancer Res* 15:3214-3222. doi:10.1158/1078-0432

25. Gunnarsson H, Arason A, Gillanders EM, Agnarsson BA, Johannesdottir G, Johannsson OTh, Barkardottir RB (2008) Evidence against *PALB2* involvement in Icelandic breast cancer susceptibility. *J Negat Results Biomed* 7:5. doi:10.1186/1477-5751-7-5
26. Pakkanen S, Wahlfors T, Siltanen S, Patrikainen M, Matikainen MP, Tammela TLJ, Schleutker J (2009) *PALB2* variants in hereditary and unselected Finnish prostate cancer cases. *J Negat Results Biomed* 8:12. doi:10.1186/1477-5751-8-12
27. Dansonka-Mieszkowska A, Kluska A, Moes J, Dabrowska M, Nowakowska D, Niwinska P, Derlatka P, Cendrowski K, Kupryjanczyk J (2010) A novel germline *PALB2* deletion in Polish breast and ovarian cancer patients. *BMC Med Gen* 11:20. doi:10.1186/1471-2350-11-20
28. Tischkowitz MD, Sabbaghian N, Hamel N, Borgida A, Rosner C, Taherian N, Srivastava A, Holter S, Rothenmund H, Ghadirian P, Foulkes WD, Gallinger S (2009) Analysis of the gene coding for the *BRCA2*-interacting protein *PALB2* in familial and sporadic pancreatic cancer. *Gastroenterology* 137:1183-1186. doi:10.1053/j.gastro.2009.06.055
29. Sauty de Chalon A, Teo Z, Park DJ, Odefrey FA, kConFab, Hopper JL, Southey MC (2010) Are *PALB2* mutations associated with increased risk of male breast cancer? *Breast Cancer Res Treat* 121:253-255. doi:10.1007/s10549-009-0673-x

30. Silvestri V, Rizzolo P, Zanna I, Falchetti M, Masala G, Bianchi S, Papi L, Giannini G, Palli D, Ottini L (2010) *PALB2* mutations in male breast cancer: a population-based study in Central Italy. *Breast Cancer Res Treat* doi:10.1007/s10549-010-0797-z.

31. Tischkowitz M, Sabbaghian N, Ray AM, Lange EM, Foulkes WD, Cooney KA (2008) Analysis of the gene coding for the BRCA2-interacting protein PALB2 in hereditary prostate cancer. *Prostate* 68:675-678. doi:10.1002/pros.20729

| PALB2 | cDNA change | Protein change | SNP | Number found | Prediction programs | | |
|------------|----------------------|----------------|------------|--------------|---------------------|-------------------------|------------------|
| | | | | | Polyphen | SIFT | AGVGD |
| m1 | c.509_510delGA | p.Arg170X | | 1 | | | |
| as1 | c.194C>T | p.Pro65Leu | rs62625272 | 1 | Possibly damaging | Tolerated | Less likely (C0) |
| as2 | c.1010T>C | p.Leu337Ser | rs45494092 | 6 | Possibly damaging | Affect protein function | Less likely (C0) |
| as3 | c.1676A>G | p.Gln559Arg | rs152451 | 26 | Benign | Tolerated | Less likely (C0) |
| as4 | c.2014G>C | p.Glu672Gln | rs45532440 | 9 | Benign | Affect protein function | Less likely (C0) |
| as5 | c.2590C>T | p.Pro864Ser | rs45568339 | 1 | Probably damaging | Tolerated | Less likely (C0) |
| as6 | c.2816T>G | p.Leu939Trp | rs45478192 | 1 | Possibly damaging | Affect protein function | Likely (C55) |
| as7 | c.2993G>A | p.Gly998Glu | rs45551636 | 6 | Probably damaging | Affect protein function | Less likely (C0) |
| syn1 | c.1470C>T | p.= | rs45612837 | 1 | | | |
| syn2 | c.1572A>G | p.= | rs45472400 | 3 | | | |
| syn3 | c.3300T>G | p.= | rs45516100 | 8 | | | |
| Non-coding | | | | | | | |
| ip1 | c.-47 G>A | | rs8053188 | 5 | | | |
| ip2 | c.3114-51T>A | | rs249936 | 110 | | | |
| ip3 | c.3201+101A>G | | rs249935 | 26 | | | |
| ip4 | c.2586+58C>T | | rs249954 | 51 | | | |
| ip5 | c.2996+264T>C | | rs420259 | 56 | | | |
| iv1 | c.-145 G>C | | | 1 | | | |
| iv2 | c.2749-18C>T | | | 2 | | | |
| iv3 | c.3201+95C>T | | | 8 | | | |
| iv4 | c.212-58A>C | | | 4 | | | |
| iv5 | c.1684+37_1684+39del | | | 1 | | | |
| iv6 | c.2996+17T>C | | | 1 | | | |

Table 1: Variants identified in *PALB2/FANCN*.

Abbreviations used: m: mutation, as: amino acid substitution, syn: synonymous variant, ip: intronic polymorphism, iv: intronic variant, *SNP* is a single nucleotide polymorphism. Nomenclature according to the Human Genome Variation Society (HGVS) recommendations (www.hgvs.org). Pathogenicity of missense variants was predicted using 3 in silico tests; Polymorphism Phenotyping (PolyPhen) prediction (<http://genetics.bwh.harvard.edu/pph>); Sorting Intolerant From Tolerant (SIFT) (<http://blocks.fhcrc.org/sift/SIFT.html>) and align GVGD (<http://agvgd.iarc.fr>). According to the splice site prediction algorithms incorporated in Alamut version 1.5 (SpliceSiteFinder-like, MaxEntScan, NNSPLICE and GeneSplicer) no evidence was found for splice defects caused by the non-coding intronic variants.

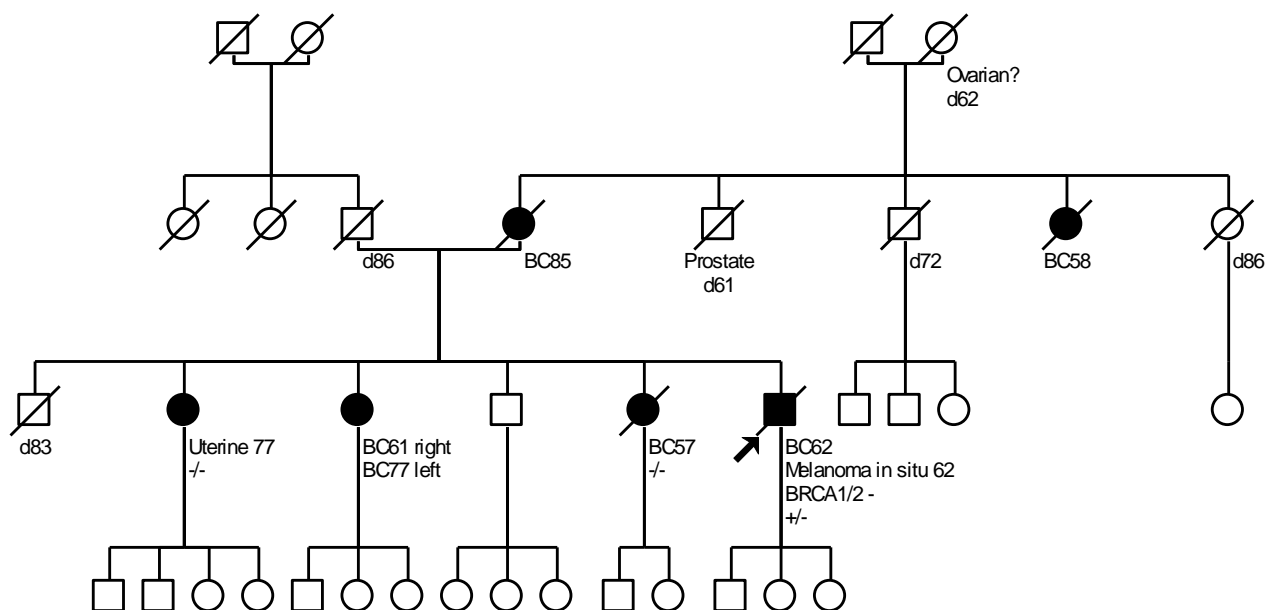


Figure 1: Pedigree of the family with the *c.509_510delGA* *PALB2* mutation.

In black are the individuals affected with cancer, arrow indicates the patient with the *c.509_510delGA* mutation.

The mutation carrier was *BRCA1/2* negative tested. Cancer type (BC: breast cancer), side and age of cancer diagnosis or if unknown age of death (d) is mentioned below the individuals. Tested individuals were marked with -/- for wild type (WT) or +/- for mono-allelic mutation carrier.

