



HAL
open science

Design and Modeling of a Successive Approximation ADC for the Electrostatic Harvester of Vibration Energy

Raouf Khalil, Andrii Dudka, Dimitri Galayko, Ramy Iskander, Philippe
Basset

► **To cite this version:**

Raouf Khalil, Andrii Dudka, Dimitri Galayko, Ramy Iskander, Philippe Basset. Design and Modeling of a Successive Approximation ADC for the Electrostatic Harvester of Vibration Energy. BMAS 2010 - IEEE International Behavioral Modeling and Simulation Conference, Sep 2010, San Jose, United States. pp.57-62, 10.1109/BMAS.2010.6156599 . hal-00590893

HAL Id: hal-00590893

<https://hal.science/hal-00590893v1>

Submitted on 5 May 2011

HAL is a multi-disciplinary open access archive for the deposit and dissemination of scientific research documents, whether they are published or not. The documents may come from teaching and research institutions in France or abroad, or from public or private research centers.

L'archive ouverte pluridisciplinaire **HAL**, est destinée au dépôt et à la diffusion de documents scientifiques de niveau recherche, publiés ou non, émanant des établissements d'enseignement et de recherche français ou étrangers, des laboratoires publics ou privés.

Design and Modeling of a Successive Approximation ADC for the Electrostatic Harvester of Vibration Energy

Raouf Khalil, Andrii Dudka,
Dimitri Galayko, Ramy Iskander
Paris-VI university,
LIP6 laboratory, b.c. 167,
4, place Jussieu
75252 Paris,
France
raouf.khalil-ayad@lip6.fr

Philippe Basset
Université Paris-Est, ESYCOM,
EA 2552, ESIEE
2, Boulevard Pascal, BP 99
93162 Noisy le Grand,
France
p.basset@esiee.fr

ABSTRACT

This paper presents a functional design and modeling of a successive approximation analog-to-digital converter (ADC) and its application in the conditioning circuit of the vibration energy harvester. The paper published on BMAS'09 highlighted the necessity of a smart digital control to calibrate the system, which requires in turn an ultra low power supplied ADC. The harvester and the ADC are designed using a CMOS $0.35\mu\text{m}$ High Voltage technology and modeled in a mixed VHDL-AMS/ELDO environment. The supply voltage of the ADC is 2.5V. The whole system was simulated using a mixed signal AdvanceMS simulator.

Keywords

Energy harvesting, successive approximation ADC, VHDL-AMS, calibration, MEMS

1. INTRODUCTION

Modern self-powered autonomous electronic micro-systems, such as wireless micro-sensor network, embedded monitoring systems, biomedical implants, tend to incorporate more functions into smaller surfaces of devices and also are required to operate for a relatively long time without human intervention. On the other hand, the evolution in power source development is not following the same trend: the power supply sources still occupy an important part of size and weight of the system. The energy capacity, as well as lifetime of the existing sources is limited, and alternative energy sources are needed to overcome these bottlenecks. The autonomy of the devices can be extended by extracting power from ambient energy sources such as light, temperature gradients, mechanical vibration and others. Long-lasting, self-renewable, chip-compatible energy harvesting sources are therefore a subject of research for a growing number of scientists and engineers. This study is focused on conversion of the energy of external mechanical vibrations into electrical energy with a use of an electrostatic transducer, which operates as a variable capacitor implemented in a MEMS technology. Harvesting the vibration energy with the capacitive transducer requires complex conditioning electronics for managing the transducer operation and for interfacing the transducer with the load. Harvester, operating under conditions of variable vibration parameters, claims a "smart" power management and adaptive control of the system operation. Our previously published work in

BMAS'09 [1] addressed the system adaptation to the variable amplitude of vibrations and, consequently, proposed an adaptive operation algorithm which was implemented in a power management control block and modeled in VHDL-AMS.

The need of measurements of the voltages of the conditioning circuit used for the "smart" control electronics managing the operation of conditioning circuit and the interface with the load requires an analog-to-digital converter with ultra low power consumption. Power saving can be achieved in ADC through the selection of a suitable low-power ADC. The successive approximation ADC is known as one of the best candidates in terms of low-power [2].

This paper presents the design of a successive approximation ADC, and its modeling in the context of the conditioning circuit presented in [1]. The most critical blocks for the power consumption of the ADC are described at the electrical netlist level (the comparator and the digital-to-analog converter, DAC), and the control unit is described behaviourally in VHDL-AMS language. The main goal of the mixed modeling of the whole system (ADC+conditioning circuit) is an estimation of the power losses associated with the electromechanical power conversion and with the measures of the electrical state of the conditioning circuit needed for the calibration. This estimation doesn't take into account the consumption related with purely digital blocks.

In section 2, we summarize the basic architecture and the operation of the harvester as well as the calibration technique allowing the adaptation of the system to the vibration parameters. In section 3, we present the architecture of the successive approximation ADC and we explain the implementation and modeling approach for each block. In section 4, the connection of harvester system with the ADC, calibration technique is discussed and simulation results of the whole system are shown.

2. HARVESTER OPERATION

An electrostatic energy harvester consists of a mechanical resonator, an electromechanical transducer (based on MEMS technology) [3] and an electrical conditioning circuit managing the operation of the transducer and providing an interface with the load [1]. One of the possible architecture

of conditioning circuit, initially proposed by Yen [4], is composed of two main parts: a charge pump and a flyback circuit controlled by a switch SW (Fig. 1). The charge pump circuit transfers electrical charges from a large initially pre-charged capacitor C_{res} toward a small temporary storage C_{store} with the use of variable transducer capacitor C_{var} . The energy for this charge pumping comes from the mechanical domain through the variations of the transducer capacitor. During the pumping, the converted energy is stored in the C_{store} capacitor, the C_{store} voltage U_{store} increases and C_{res} voltage U_{res} decreases very slightly (since $C_{res} \gg C_{store}$). It has been shown that the energy conversion is maximal for a particular range (U_1, U_2) of U_{store} [1], and when U_{store} reaches the upper border of this range U_2 , a part of the charges of C_{store} must be returned to C_{res} , so to put U_{store} at the low limit U_1 of this range. This is performed by the inductive flyback circuit. Topologically, the flyback circuit is similar to a Buck DC/DC converter, but with an output voltage U_{res} needed to be pulled up as efficiently as possible using the energy of C_{store} . As soon as U_{store} reaches U_2 , the

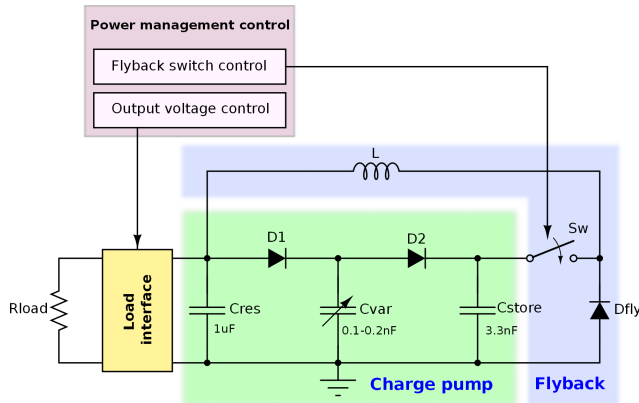


Figure 1: Conditioning circuit architecture of the vibration energy harvester

switch SW is set *on* by external control blocks and C_{store} starts to discharge on C_{res} through the inductor. When U_{store} is reduced to U_1 , the switch becomes *off* and the inductor discharges on C_{res} through the diode $D3$. After this, a new charge pump operation cycle starts. From theoretical investigation [5] U_1 and U_2 parameters are calculated as:

$$\begin{aligned} U_1 &= U_{res} + 0.1(U_{store\ max} - U_{res}), \\ U_2 &= U_{res} + 0.6(U_{store\ max} - U_{res}). \end{aligned} \quad (1)$$

Here, $U_{store\ max}$ is the saturation voltage of the charge pump given by [4]:

$$U_{store\ max} = \frac{C_{max}}{C_{min}} U_{res}, \quad (2)$$

where C_{max} and C_{min} are the maximal and minimal values which takes the transducer capacitance. From eq. (2), $U_{store\ max}$ depends on the ratio between C_{max} and C_{min} that are, in turn, related to the resonator vibration parameters such as frequency and amplitude, which usually vary in the time. Consequently, $U_{store\ max}$ voltage is not a fixed value and moreover can not be measured directly since during charge pumping U_{store} never reaches the saturation [1].

In the paper presented on BMAS'09 we showed, however, that $U_{store\ max}$ can be measured in an ad-hoc *calibration* cycle, which repeats periodically (much more rarely then a charge pump+flyback cycle).

During the calibration cycle, the flyback is deactivated and the charge pump runs freely up to the saturation. At the saturation, the U_{store} value can be measured and used as $U_{store\ max}$ in U_1 and U_2 calculation. The operation of the calibration cycle can be summarized as follow [1]: firstly, the charge pump is initialized (U_{store} resets to U_{res}), secondly, periodic measurements of U_{store} during the charge pumping are provided. At each measurement, U_{store} is compared with the previously measured value. As soon as the difference ΔU between two neighboring measured values of U_{store} becomes lower than a predefined minimal value ΔU_{min} , it is concluded that U_{store} is saturated and the last measured value is considered as $U_{store\ max}$. The calibration cycle ends by the updating of U_1 and U_2 . Hence, between two calibration cycles, the system operates with optimized U_1 and U_2 switching parameters, which are likely to improve the energy yield of the harvester regarding to the variation of ambient conditions.

In order to calculate U_1 and U_2 during the system calibration, we need to measure $U_{store\ max}$ and U_{res} . Consequently, to interface analog voltages with the digital electric circuit we need to use an analog-to-digital converter.

Vibration energy harvesters provide low values of powers (tens microwatts), hence, the conditioning electronics, including ADC, should consume as few as possible. In this work, we demonstrate the design of the very low power consumption successive approximation ADC.

3. SUCCESSIVE APPROXIMATION ADC ARCHITECTURE

In Fig. 2, we can see how different parts of the successive approximation ADC are connected. In our topology, the signal is sampled in the *first clock cycle* and is converted in the next N clock cycles, where N is the *number of bits*. The sample and hold operation is achieved with the use of the DAC, when it is set in "sampling" mode. The DAC, allowing to achieve the successive approximation of the input voltage value, contains an array of binary weighted capacitors whose topology can be reconfigured by switches. The DAC output is connected to the negative input terminal of the comparator as it is shown in Fig. 3, while the common mode voltage U_{cm} is connected to the positive input terminal and the comparator output is connected to the control unit. The control unit represents the successive approximation register (SAR) that controls the DAC switches allowing to switch capacitors terminals to the three reference voltages: the supply voltage U_{dd} , the common mode voltage $U_{cm} = U_{dd}/2$ and the ground *gnd*. It generates the output digital word representing the digitally approximated input voltage. This architecture was described in details in [6].

3.1 Successive approximation ADC stages

This section describes stages of successive approximation ADC conversion, achieved in different *modes*.

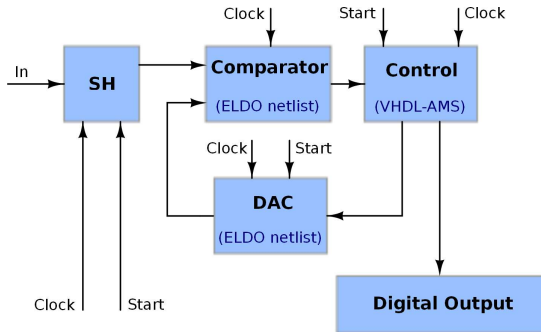


Figure 2: Successive approximation ADC architecture

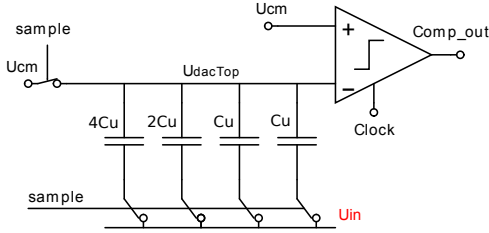


Figure 3: Sampling Mode in successive approximation ADC with 4 bits

In the first half cycle of the first clock cycle, the DAC capacitors bottom plates in the capacitor array are connected to the input signal U_{in} , while the top plates are connected to $U_{dd}/2$: this is the "sampling" mode and it corresponds to the configuration shown in Fig. 3. In the second half of the clock cycle, all bottom plates are connected to $U_{dd}/2$: this is the inversion mode. After the first cycle, the control unit checks the comparator output ($comp_out$). If it is high, it connects the largest capacitor bottom plate to U_{dd} , if it is low, the control unit connects the largest capacitor bottom plate to gnd . This mode is called charge redistribution mode. The same is repeated with all capacitors in the array, in N clock cycles. At i^{th} clock cycle, the output of the comparator correspond to i^{th} bit of the output ADC word. This bit value is saved by the control unit and after the end of the charge redistribution mode, the digital output of the control unit is equal to the digitally approximated input voltage. In Fig. 4, we can see how the voltage of the DAC top plates changes in every mode on the example of 8-bit successive approximation ADC.

3.2 Comparator Circuit

The comparator in Fig. 5 is designed in CMOS 0.35 μm technology. This is a semi-dynamic clocked architecture and it compares the output of the DAC U_{DACtop} that is connected to the negative terminal and U_{cm} that is connected to the positive terminal. Transistors M1 and M2 are used to amplify the input signal. Transistors M3, M4, M9 and M10 implement a couple of inverters connected so to be a flip-flop (back to back inverters). Transistors sizes are chosen with a low aspect ratio so as to reduce the power consumption and with a large area to reduce the offset mismatch. The comparator uses an internal clock equal to 2.5KHz. Thus, using the resolution of the ADC $N = 8$ bit, the sampling fre-

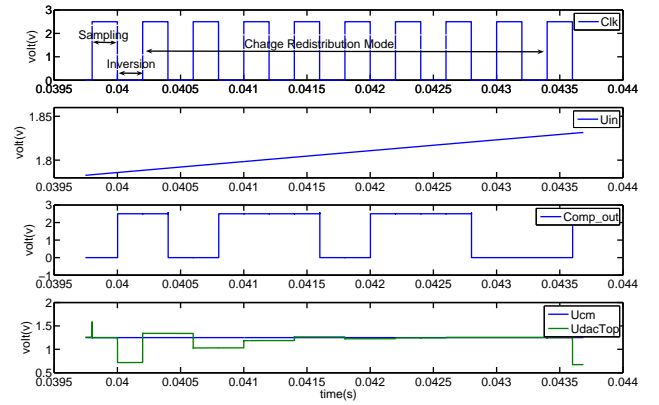


Figure 4: 8-bit successive approximation ADC modes

quency is 277.78 Hz ($2.5\text{KHz}/N+1$), i.e the sampling time step equals to 3.6ms. The average current consumed in one conversion step equals to $0.5\mu A$. As shown in Fig. 6, the comparator resolution is lower than $U_{LSB} = 9.8mV$. Both comparator outputs are connected to a latch to keep the comparator output stable for every clock cycle.

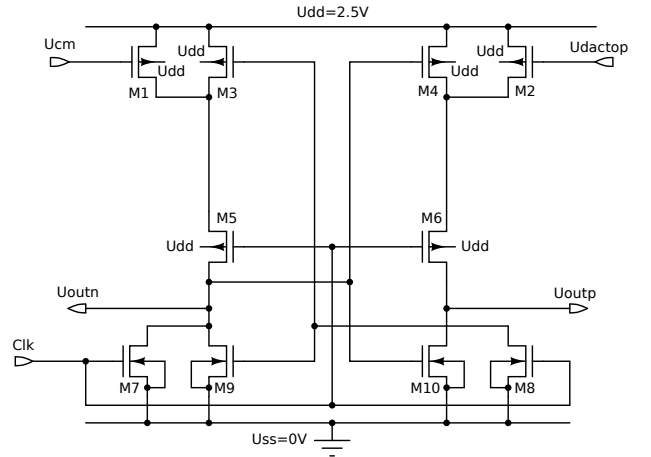


Figure 5: Comparator circuit

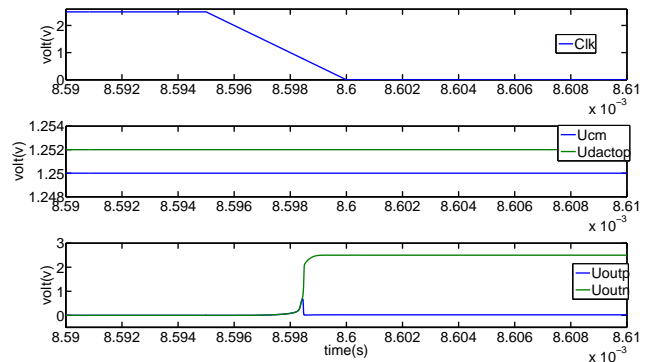


Figure 6: Comparator Resolution

3.3 Digital to Analog Converter Circuit

The DAC is designed in CMOS 0.35 μm technology and it contains 8 binary weighted capacitors in the array, the top plates are connected together. At each bottom plate, there are ideal switches to connect the bottom plate with the input signal and the three references as shown in Fig. 7. The choice of the unit capacitance value (C_u) depends on the input capacitance of the comparator, the needed resolution and the sampling frequency.

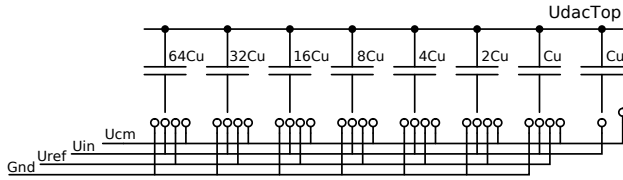


Figure 7: Differential DAC of a 8-bit successive approximation ADC with unit capacitance C_u

3.4 Control Unit VHDL-AMS Model

The output of the comparator is connected to the SAR control unit. At the sampling mode, the SAR control unit commands the switches so that the upper plates of the array are connected to $U_{dd}/2$ and the bottom plates are connected to U_{in} . Then, at inversion mode, it commands switches so that the bottom plates are connected to $U_{dd}/2$. In each clock cycle of the charge redistribution mode, depending on the comparator output, the control unit decides either to connect the corresponding weighted capacitor bottom plate to U_{dd} or to gnd . In this way, the control unit raises or reduces voltages on the top plates of the capacitors array by binary weighed level voltages ($U_{dd}/4, U_{dd}/8, \dots, U_{dd}/256$), so achieving the successive approximation of the input voltage. This block was described in VHDL-AMS language as it is shown in the code below.

```
entity control4 is
  generic(n : integer := 8);
  port (
    --internal clock:
    signal clock: in std_logic;
    --sampling clock:
    signal start: in std_logic;
    --comparator output terminal:
    terminal toutp : electrical;
    --to control Uref switches
    terminal tin01br, tin02br, tin03br,
    tin04br, tin05br,
    tin06br, tin07br : electrical;
    --to control ground switches
    terminal tin01bg, tin02bg, tin03bg,
    tin04bg, tin05bg,
    tin06bg, tin07bg : electrical;
    --to control Ucm switches:
    terminal tin01bcm, tin02bcm, tin03bcm,
    tin04bcm, tin05bcm, tin06bcm,
    tin07bcm, tin08bcmx : electrical;

    terminal tgnd : electrical;
    -- output bits:
    signal dout: out unsigned(7 downto 0)
  );
begin
end entity control4;
architecture fct of control4 is
  --quantity declaration
  --signal declaration
```

```
begin
  p1: process
    variable i : integer := n ;
    variable word : unsigned((n-1)downto 0);
  begin
    -- disable all control signals
  LOOP
    wait on clock;
    --first cycle in charge redistribution mode
    if clock'event and clock='1' and start='0'
    and (i=n) then
      i:=n-1;
      --connect the capacitors
      --bottom plates to Ucm
      in02bcm<=2.5;
      in03bcm<=2.5;
      in04bcm<=2.5;
      in05bcm<=2.5;
      in06bcm<=2.5;
      in07bcm<=2.5;
      in08bcmx<=2.5;
      if (comp_out>1) then
        word(i):= '1';--msb=1
        in01br<= 2.5;--connect the msb cap to Uref
      else
        word(i):= '0';--msb=0
        in01bg<= 2.5;--connect the msb cap to gnd
      end if;
    else
      --second cycle in charge distribution mode
      if clock'event and clock = '1' and start = '0'
      and (i=n-1) then
        --connect the capacitors bottom plates to Ucm
        i:=i-1;
        in02bcm<=0.0;
        in03bcm<=2.5;
        in04bcm<=2.5;
        in05bcm<=2.5;
        in06bcm<=2.5;
        in07bcm<=2.5;
        in08bcmx<=2.5;
        if (comp_out>1) then
          word(i):= '1';-- 2nd bit=1
          in02br<= 2.5;--connect the 2nd cap to Uref
        else
          word(i):= '0';-- 2nd bit=0
          in02bg<= 2.5;--connect the 2nd cap to gnd
        end if;
      else
        -- this algorithm is repeated
        -- to i=n-7
        --last cycle in charge distribution mode
        if clock'event and clock = '1' and start'event
        and start='1' and (i=n-7) then
          --connect the capacitors
          --bottom plates to Ucm
          i:=i-1;
          in08bcmx<=2.5;
          if (comp_out>1) then
            word(i):= '1';-- lsb bit=1
          else
            word(i):= '0';-- lsb bit=0
          end if;
          -- we get the new output bits
          --at the end of the conversion
          dout<=word;
          i:=n;
          --disable all control signals
        end loop;
      end process;
    end architecture fct;
```

4. APPLICATION OF SAR ADC INTO THE HARVESTER CONDITIONING CIRCUIT

In this section, we present the use of the designed successive approximation ADC in the conditioning circuit of harvester, whose model architecture is shown in Fig. 8. The ADC measures only the U_{store} voltage, whereas the value of U_{res} can be found from the determined value of the U_{store} converted voltage as we will explain later in this section. For optimal operation, the harvester requires the *high* voltage on C_{store} [1], hence, to interface the low-voltage ADC input with the high-voltage U_{store} node of the conditioning circuit, a voltage divider is needed. The output bits of the ADC are connected to the flyback switch control input which uses the measured values of U_{res} and $U_{store\ max}$ to calculate U_1 and U_2 . As soon as U_1 and U_2 are calculated, the switching events for the switch Sw are generated with the signals on_2 or off_2 , as shown in Fig. 8. The flyback switch control activates the ADC with the signals on_1 or off_1 , so that the ADC operates only during the calibration cycle.

As it is shown in Fig. 8, the whole harvester system model is mixed: it contains VHDL-AMS models of the flyback switch control, the switch, the variable transducer capacitor with the resonator, the VHDL-AMS/ELDO model of the ADC, ELDO models of the voltage divider and of the rest analog components such as capacitors, inductor and diodes. In this

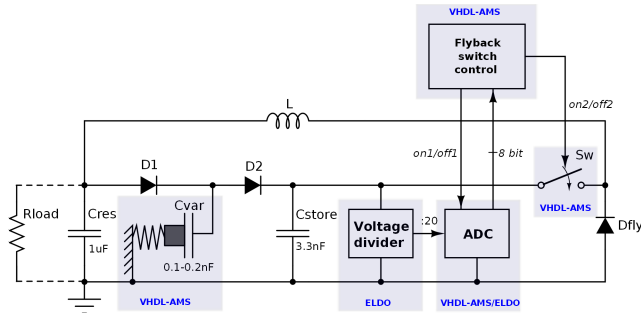


Figure 8: Functional schema of harvester system

section, firstly, we discuss the divider architecture and its operation, then the use of ADC during the calibration cycle and, at last, the whole system simulation results.

4.1 Voltage Divider Circuit

In present work the division factor of divider is 20, since the maximal value for U_{store} is limited by 50V and the voltage supplied by the ADC is 2.5V. The proposed divider consists of 2 resistors connecting in series, 2 switches and an output capacitor as shown in Fig. 9. At every sample, resistors divide U_{store} by 20, and the divided voltage is stored in the capacitor C_{div} , so that the successive approximation ADC can sample this value. The clock used in the divider (CLK_DIV) has the same sampling frequency but with the smaller pulse width to decrease the power consumption.

The relation between U_{store} and the divider output U_{out_div} can be calculated based on equation:

$$\frac{U_{store}}{U_{out_div}} = \frac{R_1 + R_2}{R_2} = 20 \quad (3)$$

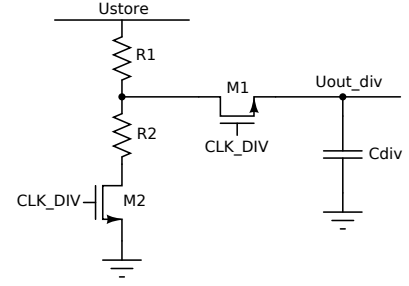


Figure 9: Voltage divider circuit interfacing the harvester with the ADC

Hence, from (3) we have $R_1 = 19R_2$. The time of charging C_{div} is determined by:

$$\tau = R_1 \parallel R_2 \cdot C_{div}, \quad (4)$$

The presented voltage divider circuit is designed in CMOS $0.35\mu m$ high voltage technology of Austrian Microsystem (AMS035HV), and modeled using the ELDO simulator.

4.2 Calibration Using Successive Approximation ADC

The calibration cycle starts with putting U_1 to a very low value (zero), so that C_{store} voltage becomes equal to C_{res} voltage. During 20 ms U_{store} remains at the U_{res} value, which gives to the ADC enough time to measure it. After that, the flyback switch control orders the charge pumping to start, and U_{store} starts to increase, up to the saturation. During this charge pumping, the voltage U_{store} is measured with 3.6 ms sampling step. The goal of this measurement is to detect the $U_{store\ max}$ value. This is done as described in the section 2; the digital values corresponding to the neighboring samples of U_{store} are compared, and when there are 2 consecutive steps have the same value, their value is considered as measured $U_{store\ max}$ (it means that ΔU_{min} mentioned in section 2 equals to the ADC resolution). At the end of the calibration cycle the flyback switch control block turns *off* the ADC and U_1 as well as U_2 are calculated. Then, the normal mode (periodic charge pump+flyback cycles) starts till the next calibration cycle as it is shown in the Fig. 10.

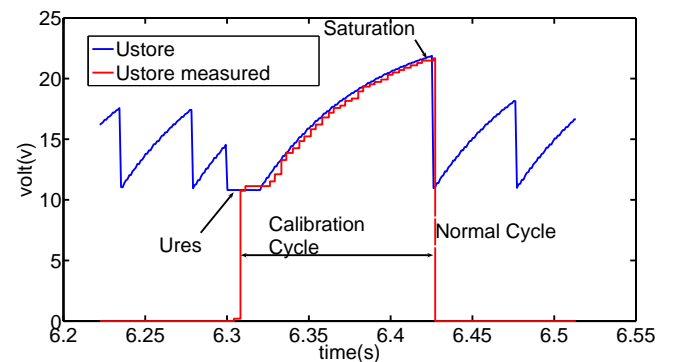


Figure 10: Calibration cycle of the harvester

4.3 Modeling Results

In order to validate our study we created and simulated models of the divider and of the successive approximation ADC and connected them to the conditioning circuit model as it is shown in the Fig. 8. In this paper, we present simulation results which demonstrate the harvester operation with ADC during almost 11 seconds. Here, calibration cycles repeat every $900ms$, such a low interval is chosen in order to reduce the modeling time, in reality the calibration phase should be less frequent (tens of seconds) to reduce the power consumed.

In the top part of the Fig. 11, U_{store} is plotted together with the measured U_{store} voltage. We can see that during the calibration cycle there is a good matching between them because of the good resolution of the ADC. In the bottom part of the Fig. 11, the real U_{res} is plotted with the measured U_{res} voltage. The increase in the real U_{res} value is explained by the accumulation of the energy of the system (i.e., a normal harvester operation). As we see, U_{res} is measured only once during the calibration cycle. In the normal operation mode between calibration cycles ADC is deactivated by the signal off_1 . The measured $U_{store_{max}}$ value is reset to 0 and the equivalent U_{res} is saved until the next calibration cycle.

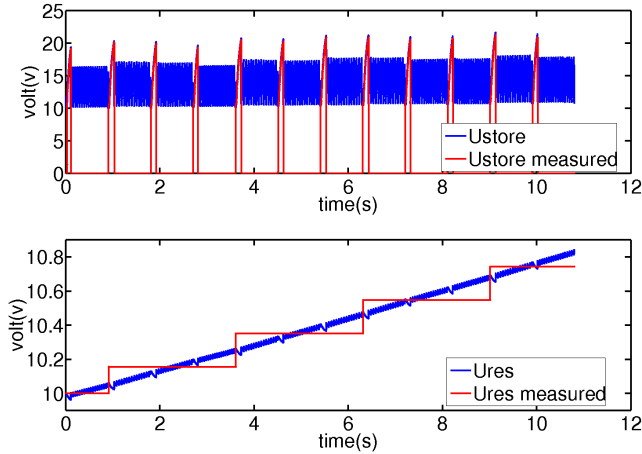


Figure 11: Simulation results of harvester operation using the SAR ADC model

5. CONCLUSIONS

In this paper, we presented the architecture design and modeling of the electrostatic vibration energy harvester with a successive approximation ADC. The use of such ADC in energy harvester application is suitable for a low power consumption. The whole system of the harvester including the SAR ADC is simulated with VHDL-AMS/ELDO mixed model using the cadence environment. Simulation results of the harvester with the use of 8-bit SAR ADC demonstrate a good matching between U_{store} and the measured from ADC $U_{store_{mes}}$ during the calibration cycle. The estimated power consumption of the ADC is around $1.25\mu W$ for one step conversion. The comparator is the dominating block in power consumption of ADC with the used sampling frequency and 8-bit resolution, whereas the DAC has much less contribution. The modeling approach consisting in mixing the description levels and the disciplines is very efficient;

the VHDL-AMS/ELDO mixed modeling appears as the best solution for low-level design of electrical interfaces for energy conversion.

6. ACKNOWLEDGEMENTS

This work is funded by the French National Research Agency (ANR).

7. REFERENCES

- [1] Andrii Dudka, Dimitri Galayko, and Philippe Basset. Vhdl-ams modeling of adaptive electrostatic harvester of vibration energy with dual-output dc-dc converter. In *IEEE International Behavioral Modeling and Simulation Conference (BMAS 2009)*.
- [2] Michael D. Scott, Bernhard E. Boser, and Kristofer S. J. Pister. An ultra low-energy adc for smart dust. *IEEE JOURNAL OF SOLID-STATE CIRCUITS*, JULY 2003.
- [3] P. Basset, D. Galayko, A. M. Paracha, F. Marty, A. Dudka, and T. Bourouina. A batch-fabricated and electret-free silicon electrostatic vibration energy harvester. *Journal of Micromechanics and Microengineering*, 2009.
- [4] B. C. Yen and J. H. Lang. A variable-capacitance vibration-to-electric energy harvester. *IEEE TCAS*, 53(2):288–295, february 2006.
- [5] D. Galayko and P. Basset. Mechanical/electrical power-aware impedance matching for design of capacitive vibration energy harvester. In *PowerMEMS2008 workshop, Sendai*, 2008.
- [6] Mootaz Allam. Systematic design of a successive approximation analog-to-digital converter. Master’s thesis, Faculty of Engineering, Cairo University, Giza, Egypt, 2008.