



HAL
open science

Determination of the Vinyl Fluoride line intensities by TDL spectroscopy: the Object Oriented approach of Visual Line Shape Fitting Program to the line profile analysis.

Nicola Tasinato, Andrea Pietropolli Charmet, Paolo Stoppa, Santi Giorgianni

► **To cite this version:**

Nicola Tasinato, Andrea Pietropolli Charmet, Paolo Stoppa, Santi Giorgianni. Determination of the Vinyl Fluoride line intensities by TDL spectroscopy: the Object Oriented approach of Visual Line Shape Fitting Program to the line profile analysis.. *Molecular Physics*, 2010, 108 (06), pp.677-685. 10.1080/00268970903468305 . hal-00588657

HAL Id: hal-00588657

<https://hal.science/hal-00588657>

Submitted on 26 Apr 2011

HAL is a multi-disciplinary open access archive for the deposit and dissemination of scientific research documents, whether they are published or not. The documents may come from teaching and research institutions in France or abroad, or from public or private research centers.

L'archive ouverte pluridisciplinaire **HAL**, est destinée au dépôt et à la diffusion de documents scientifiques de niveau recherche, publiés ou non, émanant des établissements d'enseignement et de recherche français ou étrangers, des laboratoires publics ou privés.



**Determination of the Vinyl Fluoride line intensities by TDL spectroscopy:
the Object Oriented approach of Visual Line Shape Fitting Program to the line profile analysis.**

Journal:	<i>Molecular Physics</i>
Manuscript ID:	TMPH-2009-0298.R1
Manuscript Type:	Special Issue Paper -HRMS Stabia 09/ High Resolution Molecular Spectroscopy
Date Submitted by the Author:	20-Oct-2009
Complete List of Authors:	TASINATO, Nicola; Universita' Ca' Foscari di Venezia, Dipartimento Chimica Fisica PIETROPOLLI CHARMET, Andrea; Universita' Ca' Foscari di Venezia, Dipartimento di Chimica Fisica STOPPA, Paolo; Universita' Ca' Foscari Venezia, Chimica Fisica GIORGIANNI, Santi; University of Venice
Keywords:	Vinyl fluoride, Line parameter determination, Line shape fitting software, Weak and strong collision models, Voigt and Dicke narrowed profiles



1
2
3
4 **Determination of the Vinyl Fluoride line intensities by TDL spectroscopy:**
5
6 **the Object Oriented approach of Visual Line Shape Fitting Program to the line**
7
8 **profile analysis**
9
10

11
12 Nicola Tasinato^{*}, Andrea Pietropolli Charmet, Paolo Stoppa, Santi Giorgianni
13
14

15
16
17 Università Ca' Foscari di Venezia – DCF – I-30123 Venezia (Italy)
18
19

20
21 **Abstract**
22
23

24
25 In this work the self-broadening coefficients and the integrated line intensities
26 for a number of ro-vibrational transitions of vinyl fluoride have been determined for the
27 first time by means of TDL spectroscopy. The spectra recorded in the atmospheric
28 window around 8.7 μm appear very crowded with a density of about 90 lines per cm^{-1} .
29 In order to fit these spectral features a new fitting software has been implemented. The
30 program which is designed for laser spectroscopy, can fit many lines simultaneously on
31 the basis of different theoretical profiles (Doppler, Lorentz, Voigt, Galatry and Nelkin –
32 Ghatak). Details of the *Object Oriented* implementation of the application are given.
33 The reliability of the program is demonstrated by determining the line parameters of
34 some ro-vibrational lines of sulphur dioxide in the ν_1 band region around 9 μm . Then
35 the software is used for the line profile analysis of vinyl fluoride. The experimental line
36 shapes show deviations from the Voigt profile which can be well modelled by using a
37 Dicke narrowed line shape function. This leads to the determination of the self-
38 narrowing coefficient within the framework of the strong collision model.
39
40
41
42
43
44
45
46
47
48
49
50

51
52 **Keywords:** Vinyl fluoride; Line parameter determination; Line shape fitting software;
53 Weak and strong collision models; Voigt and Dicke narrowed profiles.
54
55

56
57

^{*} Corresponding author.

58 E-mail: tasinato@unive.it; Phone: +39 041 2348598; Fax: +39 041 2348594

59 Address: Università Ca' Foscari Venezia, Dipartimento di Chimica Fisica, Dorsoduro 2137, I-30123
60 VENEZIA (Italy)

1. Introduction

The study of the Earth and planetary atmospheres and of the interstellar medium by means of spectroscopic techniques has rapidly grown up since the earlier experiments in the second half of the 1900. Among the various techniques, infrared spectroscopy plays a significant role, in particular for remote sensing of the terrestrial atmosphere. In fact, IR remote sensing permits to monitor and accurately retrieve the concentration of the atmospheric constituents and trace pollutants. Though, in order to obtain reliable measurements, an accurate knowledge of the line parameters, such as line centres, intensities and pressure broadening coefficients, is required.

Thanks to the availability of always more powerful computers, the time consuming task of inverting the experimental spectra to extract spectroscopic parameters has become increasingly assisted by computer programs. Compared to the huge number of software available for extracting the Hamiltonian's parameters from the assigned line positions (a list of freely available devices is given in [1]), some programs specifically designed to perform the line shape analysis by fitting the experimental spectrum have been presented (see, for example, [2 – 6]). It is worthwhile to note that these programs appear specifically designed to deal mostly with FTIR spectra. As a consequence, during the fitting procedure, they explicitly take into account the step of the parameterization of the FTIR instrumental line shape. These software, based on the multi-spectrum fitting technique, are the best choice when the large number of lines recorded by the interferometer in a single scan needs to be analyzed.

On the other hand, the spectrometers based on laser sources have a simpler instrumental contribution, generally modelled as a Gaussian or Lorentzian function.

1
2
3
4
5 Furthermore, the spectral region which can be recorded in a scan is of the order of some
6 wavenumbers, thus greatly reducing the amount of lines to be accounted for in a single
7 spectrum. In many cases, the line shape analysis is carried out by using home made
8 programs which are sometimes designed to fit the experimental features to a single
9 theoretical function. Further, some programs are able to fit only one absorption line at
10 time and still run from a command line window, thus avoiding an immediate
11 comparison between the experimental data and the theoretical model. Commercial
12 packages, such as IGOR Pro [7] and Origin [8], can be employed as well, although they
13 are not completely well suited for this purpose.

14
15
16
17
18
19
20
21
22
23
24
25
26
27
28
29
30
31
32
33
34
35
36
37
38
39
40
41
42
43
44
45
46
47
48
49
50
51
52
53
54
55
56
57
58
59
60
Vinyl Fluoride, CH_2CHF , is widely used by industry mainly as monomer for the
production of synthetic materials such as poly-vinyl fluoride. The potential role of
halogenated alkenes as air pollutants has motivated a number of spectroscopic
investigations and studies about their reactivity toward hydroxyl radical and ozone (see
Refs.[9, 10] and references therein).

The infrared spectra of vinyl fluoride have been deeply investigated by our
research group (see Refs. [11 – 13] and references therein). The studies have mainly
dealt with the analysis of the high resolution spectra and the obtained results have led to
the determination of accurate spectroscopic parameters for a number of fundamental
and overtone vibrations and a thorough understanding of the observed perturbations.
Recently, the medium resolution spectrum has been studied in the $400 - 8000 \text{ cm}^{-1}$
region and the integrated absorption cross sections have been determined for the first
time [13]. In addition, *ab-initio* calculations with large basis sets have been performed
at the CCSD(T) level of theory leading to the determination of harmonic and
anharmonic force fields.

1
2
3
4
5
6
7
8
9
10
11
12
13
14
15
16
17
18
19
20
21
22
23
24
25
26
27
28
29
30
31
32
33
34
35
36
37
38
39
40
41
42
43
44
45
46
47
48
49
50
51
52
53
54
55
56
57
58
59
60

Despite the industrial importance of vinyl fluoride, there exist no studies on the determination of the line parameters of the ro-vibrational absorption lines. The lack of literature data is partly motivated by the complex structure of the high resolution spectrum. In the present work we report the very first results obtained from the line shape analysis in the ν_7 band region around 1148 cm^{-1} by means of tunable diode laser (TDL) spectroscopy. In this region, the spectrum of vinyl fluoride appears very crowded even at low pressures. Hence, the analysis strongly requires a fitting software capable to simultaneously fit all the absorptions present in the spectral micro-windows acquired by the TDL system. For this reason we implemented a new software for the line shape fitting and the retrieval of the line parameters. The program, called Visual Line Shape Fitting Program (VLSFP), can fit several lines at once using different theoretical line shape functions. These include the Doppler, Lorentz and Voigt profiles, as well as the Galatry and Nelkin – Ghatak functions. The reliability of VLSFP has been tested by retrieving the sulphur dioxide line parameters and comparing them with the literature values. In this paper we also describe the program implementation and validation. In Section 2 the adopted experimental procedure is outlined while Sections 3 and 4 are concerned with the description of the fitting software and its test. Then in Section 5 we illustrate the results of the line shape analysis of vinyl fluoride. Conclusions and future work are addressed in Section 6.

2. Experimental procedure and data inversion

The high resolution spectra of either sulphur dioxide or vinyl fluoride were acquired on our tunable diode laser spectrometer employing a $92.3 (\pm 0.2)$ cm path

length cell with KBr windows. The gas sample pressures were measured employing an Alcatel ARD 1003 capacitance gauge with a full scale range of 1000 Pa and a quoted manufacturer's accuracy of 1.5 Pa. Before each measurements the cell was evacuated down to about 10^{-4} Pa; an elapse time of 10 and 20 minutes, for SO_2 and CH_2CHF respectively, between the filling of the cell and the spectrum acquisition was adopted. The spectra were calibrated employing the SO_2 line frequencies obtained by high resolution FTIR measurements. The SO_2 and CH_2CHF gas samples were provided by Sigma – Aldrich (99.9% purity) and Peninsular Chemical Research Inc. (99% purity), respectively, and were used without any further purification; no buffer gasses were employed. The SO_2 spectra were acquired at $297 (\pm 1)$ K and the pressures were varied in the range between 15 and 800 Pa. The measurements on CH_2CHF were carried out at $299 (\pm 1)$ K with pressures ranging from 7 to 68 Pa.

Since the instrumental response of our TDL spectrometer is well described by a Gaussian function, its contribution to the line shapes was explicitly taken into account during the fitting procedure by fixing the Doppler half width to an effective value, γ_D^{eff} , given by

$$\gamma_D^{eff} = \sqrt{(\gamma_D^{sample})^2 + (\gamma_D^{TDL})^2} \quad (1)$$

where γ_D^{sample} and γ_D^{TDL} are the molecular and instrumental Doppler half widths, respectively. The value of γ_D^{eff} was retrieved by fitting the spectral lines recorded at low pressure (less than 30 Pa and 10 Pa for SO_2 and CH_2CHF , respectively) to a Gaussian profile.

3. Visual Line Shape Fitting Program implementation: an Object Oriented approach

VLSFP has been written combining Microsoft Visual Basic and C# for the graphical interface and the computational kernel, respectively. The determination of the line parameters within a given theoretical model is performed through an iterative procedure using the Levenberg – Marquardt algorithm [14, 15]. The algorithm has been implemented following the pseudo-code described in [16] and then modified in order to set bounds to the variability of the parameters or to keep the parameter values constrained, as described by Kanzow et al. [17]. In the current implementation, the algorithm terminates when the maximum number of iterations is completed or when one of the convergence criteria is met. These criteria are related to the square of the Euclidean norm of the residuals, its gradient and to the variation of the parameters between two subsequent iterations. The fitting routine runs as a background process avoiding the program interface to be frozen during the execution of the fitting task.

The computational kernel, schematically depicted in Figure 1, has been designed following an *Object Oriented Programming* approach [18]. This programming technique, born around 1960s, uses objects and their interactions to design computer programs. An application is then composed of a collection of cooperating objects, rather than an ensemble of subroutines that compute specific tasks. Each box of Figure 1 is referred to as class and it represents an “object”. The class defines the properties (the class variables) of the corresponding object and its behaviour (the class methods). The object is able to process data and mostly to interact with other objects by receiving and sending messages. In a pictorial representation, every single object can be seen as a little

1
2
3
4 machine with its own task. The set of distinct machines then cooperate to accomplish an
5
6 objective: in our case the fit of the experimental line shape by means of different
7
8 theoretical profiles.
9

10 Referring to Figure 1, the classes Vector, Matrix and Complex implement
11
12 vector, matrix and complex algebra, respectively. They are used by the other objects of
13
14 the project to store and process the data. The matrices have been implemented as one-
15
16 dimensional arrays thus speeding up the access to their elements. The fitting routines
17
18 have been encapsulated inside the class LevMar and they have been designed to deal
19
20 with a generic object of the type Line Shape. Line Shape represents an abstract class,
21
22 that is an abstract object which defines the common characteristics possessed by all the
23
24 line shapes (for example, the computed line profile, the line parameters array and the
25
26 Jacobian matrix). The single line shape functions have been derived from the main
27
28 abstract class and within each class a specific implementation of the methods has been
29
30 made. As a consequence, new line shape functions, such as the speed dependent
31
32 profiles, can be implemented without changing neither the LineShape nor the LevMar
33
34 classes.
35
36
37
38
39
40
41

42 The line shape functions have been implemented in the normalized form.
43
44 Denoting the generic line function by $f(\mathbf{p})$, it is normalized to unitary area:
45
46
47
48
49

$$\int_{-\infty}^{+\infty} f(\mathbf{p}) dx = 1 \quad (2)$$

50
51
52
53
54
55 where $\mathbf{p} = [x, y, z, \dots]$ is the vector of dimensionless parameters which are described in
56
57 Table 1 following the notation of Varghese and Hanson [19]. As it can be seen, the line
58
59 parameters are normalized by the effective Doppler half width defined as
60

$$\alpha_D = \frac{\gamma_D}{\sqrt{\ln 2}} \quad (3)$$

where γ_D is the dimensional Doppler half width given by [20]

$$\gamma_D = \frac{\nu_0}{c} \left(\frac{2k_B N_A T \ln 2}{m} \right)^{1/2} \quad (4)$$

where ν_0 is the resonant frequency; c is the speed of light; k_B is the Boltzman's constant; N_A is the Avogadro's number; T (K) is the absolute temperature, m (a. m. u.) is the mass of the absorbing gas.

According to Beer – Lambert's law, the transmission of monochromatic radiation travelling a path of length ℓ through a uniform gas at pressure p is given by

$$I(\nu) = I_0 e^{-k(\nu) p \ell} \quad (5)$$

where I_0 is the unattenuated intensity of the radiation having frequency ν . The quantity $k(\nu)$ is called the absorption coefficient and, for a single absorption line, it can be expressed in the form:

$$k(\nu) = S f(\nu - \nu_0) \quad (6)$$

where S is the integrated absorption coefficient (also referred to as line intensity) and $f(\nu - \nu_0)$ is the line shape function as defined in equation (2). The dimensionless line shape functions implemented in VLSFP are listed in Table 2. During the fitting procedure, VLSFP refines the line intensity S , the line frequency centre ν_0 and the remaining line parameters, which clearly depend on the specific line shape function.

The Voigt profile is widely used for modelling the spectral line profiles and in other scientific areas ([21] and references therein), and hence the issue of its computation has been dealt over long time and intensive efforts have led to the development of many algorithms [22 – 27]. A comprehensive survey of the different computational approaches has been reported by Schreier [28]. In VLSFP, the Voigt function is computed employing the optimized version of Humlíček's code proposed by Wells [29]. Since this algorithm computes also the imaginary part of the complex probability function, it can be conveniently used for the computation of the Nelkin – Ghatak profile [30, 31], as well.

Concerning the Galatry function [32], the profile is computed by the Fourier transform of the corresponding correlation function, $\Phi(y, z, t)$, following the algorithm proposed by Ouyang and Varghese [33]:

$$f(x - s, y, z) = \frac{1}{\pi} \operatorname{Re} \left\{ \mathfrak{F}[\Phi(y, z, t)] \right\} \quad (7)$$

where \mathfrak{F} indicates the Fourier transform operator. The derivatives are in turn computed via the Fourier transform of the appropriate correlation function. As a consequence, a discrete fast Fourier transform routine (DFFT) has been implemented.

4. Test of VLSFP with SO₂ lines

VLSFP has been tested by retrieving the parameters of some ro-vibrational lines of sulphur dioxide in the region around 9 μm . This region is characterized by the absorptions of the ν_1 fundamental corresponding to the symmetric stretching normal mode. In this section the results for a number of lines are presented in order to demonstrate the reliability of the application.

An example of the fits obtained for an isolated absorption line is given in Figure 2. When fitted to a Voigt profile, this line seems to show the effect of Dicke narrowing as suggested by the shape of the residuals. As a consequence, the line has also been fitted employing the weak and strong collision models. As can be seen from the plots of the residuals, the models accounting for the velocity changing collision effects reproduce properly the observed line shape.

A wider spectral region is shown in Figure 3. In this case, the lines have been fitted to a Voigt profile, employing the multi – line fitting procedure. In general, all the lines have been well reproduced although the residuals show some regular trends. This behaviour can be partly explained by the presence of very weak lines underneath the stronger ones. These lines, being not resolved at all, can not be taken into account during the fits but at the same time cause asymmetries in the observed absorptions. For the same reason, the Dicke narrowed profiles are not able to account for all the deviations. Anyway, even in such situation, the physical meaning of the parameters is preserved. This has been confirmed by plotting the collisional half widths and the line intensities as a function of the gas pressure: the line parameters lie on straight lines passing through the origin.

1
2
3
4
5 The obtained line parameters are listed in Table 3 together with the more recent
6 literature values [34, 35] whose comparison is shown in Figure 4. As it can be seen, the
7 present data and the literature values agree in a very satisfactory manner, indicating the
8 reliability of the retrieved line parameters and hence validating the computational kernel
9 of VLSFP.
10
11
12
13
14
15
16
17
18
19
20

21 **5. Determination vinyl fluoride line shape parameters**

22
23
24
25
26 The spectrum of vinyl fluoride in the 8.7 μm atmospheric region is characterized
27 by the ro-vibrational transitions belonging to the ν_7 band which corresponds to the C—F
28 stretching. As pointed out in the introduction, this spectral region is very crowded: the
29 high density of lines, about 90 lines per cm^{-1} , can be appreciated in Figure 5 (a). Besides
30 the stronger absorption of the ν_7 normal mode, the majority of the weakest lines is due
31 to the ro-vibrational transitions of the $\nu_7 + \nu_9 - \nu_9$ hot band. Due to their intensity these
32 lines strongly affect the main features and therefore they must be accounted during the
33 fitting procedure.
34
35
36
37
38
39
40
41
42
43
44

45 When the spectral lines are fitted to the Voigt profile, the shape of the residuals
46 shows significant deviations from this model, as illustrated in Figure 5 (b). For this
47 reason the lines have also been fitted employing the Nelkin – Ghatak profile. By using
48 this strong collision model there is a dramatic improvement of the residuals as it is
49 shown in Figure 5 (c): the standard deviation of the fit decreases by about a factor of
50 two. Therefore, in the pressure range investigated the self-broadened vinyl fluoride
51 sample appears as system strongly affected by the motional narrowing effect in which
52
53
54
55
56
57
58
59
60

1
2
3
4 either the velocity changing collisions and the internal state – dephasing collisions play
5
6 an almost equal role in determining the shape of the spectral lines. Consequently, the
7
8 line profiles accounting for the Dicke narrowing effect must be employed to properly
9
10 model the experimental features.
11
12

13
14 The retrieved line parameters for the ν_7 lines are listed in Table 4. The line
15
16 parameters of the hot band have been determined as well, but they are not given here
17
18 because of the lack of a reliable assignment of the ro-vibrational transitions at present.
19
20 Again, we preferred to not report the self-broadening coefficient of three lines because
21
22 their accuracy is too low. This is due to the small range of vinyl fluoride pressures
23
24 adopted in the experiments which limits the amount of pressure broadening for some of
25
26 the lines. On the other hand, the use of low pressures is strongly recommended in order
27
28 to avoid the saturation of the absorptions, and hence working in the experimental
29
30 conditions of applicability of the Beer – Lambert law. As can be seen from Table 4, the
31
32 obtained self-broadening coefficients ranges from 0.4 to 0.9 $\text{cm}^{-1} \text{atm}^{-1}$. Such a wide
33
34 interval is shown, for instance, by water vapour, whose self-broadening parameters are
35
36 between 0.1 and 0.5 $\text{cm}^{-1} \text{atm}^{-1}$ [36]. Besides, to a first investigation no dependence on
37
38 the quantum numbers have been observed. This is understandable by considering the
39
40 reduced set of data in which the majority of lines belong to the $^{\text{Q}}\text{P}$ subband. Therefore,
41
42 in order to draw a more reliable conclusion about the quantum number dependence of
43
44 the self-broadening coefficients, the analysis need to extended to a spectral region as
45
46 wide as possible including the B-type transitions, as well.
47
48
49
50
51
52
53

54 The fits employing the Nelkin – Ghatak profile led to the determination of the
55
56 narrowing parameter which result to be 0.40 (± 0.08) $\text{cm}^{-1} \text{atm}^{-1}$. As can be seen, the
57
58 magnitude of the self-broadening and self-narrowing have a similar extent.
59
60

6. Conclusions and Outlook

The very first results of the line shape analysis of the vinyl fluoride infrared absorptions have been presented and discussed. In addition, the details of the implementation and validation of the fitting software (VLSFP) used for the analysis have been given.

The program has been specifically designed to deal with the spectra recorded by means of laser based spectrometers in which the instrumental function can be modelled as a Gaussian or Lorentzian functions. Besides these two functions, the spectral absorptions can be fitted employing the Voigt profile as well as the weak and strong collision models which account for the Dicke narrowing effect. The application has been implemented following a strongly *Object Oriented Programming* approach which leads to an easier maintenance and future developments. The program runs under Windows environment and it has a standard graphical interface according to the version of the operation system currently in use. In order to test the program, the line parameters of some sulphur dioxide lines have been determined and compared with the literature data. Once validated, VLSFP has been used to obtain the line parameters of CH₂CHF.

The vinyl fluoride spectra in the 1148 cm⁻¹ atmospheric region have been recorded with our TDL spectrometer at 299 K. The measurements have been carried out on a self-broadened CH₂CHF sample with pressures in the range between 7 and 68 Pa: even at these low gas pressures the spectrum presents a high density of absorption lines. The self-broadening and integrated absorption coefficients for 13 lines belonging to the R branch of the ν_7 normal mode have been determined for the first time. The experimental line shapes showing deviations from the Voigt profile have also been

1
2
3
4 fitted using the Nelkin – Ghatak profile. This has led to the determination of the self –
5
6
7 narrowing coefficient.

8
9 The present paper gives an overview of the work that we are carrying out at
10
11 present. Indeed, on the basis of the good results obtained from the analysis of the vinyl
12
13 fluoride crowded spectra, we are going to extend the investigation in a spectral region as
14
15 wide as possible with the aim to derive the vinyl fluoride line parameters in the 8 – 9
16
17 μm atmospheric window. Future work will also be devoted toward a definitive
18
19 assignment of the transitions belonging to the $\nu_7 + \nu_9 - \nu_9$ hot band and to an
20
21 improvement of the accuracy for some of the broadening coefficients.
22
23
24
25
26
27
28
29
30

31 **Acknowledgments**

32
33
34
35 The authors thank Prof. P. L. Varghese for the code for the computation of the
36
37 Galatry function. The authors also gratefully acknowledge Prof. J. M. Flaud for the SO_2
38
39 data about ν_1 and $\nu_1 + \nu_2 - \nu_2$ upon which the assignments have been made. This work
40
41 was financially supported by PRIN 2007 (project: “*Trasferimenti di energia, carica e*
42
43 *molecole in sistemi complessi*”).
44
45
46
47
48
49
50
51
52
53
54
55
56
57
58
59
60

References

- [1] Z. Kisiel, PROSPE – Programs for Rotational SPECTroscopy, <<http://info.ifpan.edu.pl/~kisiel/prospe.htm/>>.
- [2] M. Carlotti, *Appl. Opt.* **27**, 3250 (1988).
- [3] D.C. Benner, C.P. Rinsland, V.M. Devi, M.A.H. Smith, D.A. Atkins, *JQSRT* **53**, 705 (1995).
- [4] A.S. Pine, T. Gabard, *JQSRT* **66**, 69 (2000).
- [5] D. Jacquemart, J.Y. Mandin, V. Dana, N. Picqué, G.A. Guelachvili, *Eur. Phys. J. D* **14**, 55 (2001).
- [6] J.J. Plateaux, L. Ragalia, C. Boussin, A. Barbe, *JQSRT* **68**, 507 (2001).
- [7] Wavemetrics Inc. <<http://www.wavemetrics.com/>>.
- [8] Microcal. <<http://www.originlab.com/>>.
- [9] S. Sekušak, K. R. Liedl, A. Sabljčić, *J. Phys. Chem. A* **102**, 1583 (1998).
- [10] I. Ljubić, A. Sabljčić, *J. Phys. Chem. A* **106**, 4745 (2002).
- [11] P. Stoppa, A. Pietropolli Charmet, R. Visinoni, S. Giorgianni, *Mol. Phys.* **103**, 657 (2005).
- [12] N. Tasinato, P. Stoppa, A. Pietropolli Charmet, S. Giorgianni, A. Gambi, *J. Phys. Chem. A* **110**, 13412 (2006).
- [13] P. Stoppa, A. Pietropolli Charmet, N. Tasinato, S. Giorgianni, A. Gambi, *J. Phys. Chem. A* **113**, 1497 (2009).
- [14] K.A. Levenberg, *Quart Appl. Math.* **2**, 164 (1944).
- [15] D.V. Marquardt, *SIAM J. Appl. Math.* **11**, 431 (1963).

- 1
2
3
4
5 [16] K. Madsen, H.B. Nielsen, O. Tingleff, Methods for non-linear least squares
6 problems, 2nd ed. Informatics and mathematical modelling, Technical University
7 of Denmark (2004).
8
9
10
11 [17] C. Kanzow, N. Yamashita, M. Fukushima, J. Comput. Appl. Math. **172**, 375
12 (2004).
13
14
15 [18] B. Stroustrup, The C++ programming language, 3rd ed. Addison – Wesley
16 (1997).
17
18
19
20 [19] P.L. Varghese, R.K. Hanson, Appl. Opt. **23**, 2376 (1984).
21
22
23 [20] M.A.H. Smith, C.P. Rinsland, B. Fridovich, K.N. Rao, in: K.N. Rao (Ed.),
24 Molecular spectroscopy: Modern research, vol. 3, Academic. Press. Inc.,
25 London, pp. 111-248 (1985).
26
27
28
29 [21] W. J. Thompson, Comput. Phys. **7**, 627 (1993).
30
31
32 [22] S.R. Drayson, JQSRT **16**, 611 (1976).
33
34
35 [23] M.A. Kuntz, JQSRT **57**, 819 (1997).
36
37
38 [24] A.K. Hui, B.H. Armstrong, A.A. Wray, JQSRT **19**, 509 (1978).
39
40 [25] J. Humlíček, JQSRT **21**, 309 (1979).
41
42 [26] J. Humlíček, JQSRT **27**, 437 (1982).
43
44 [27] K.L. Letchworth, D.C. Benner, JQSRT **107**, 173 (2007).
45
46 [28] F. Schreier, JQSRT **48**, 743 (1992).
47
48 [29] R.J. Wells, JQSRT **62**, 29 (1999).
49
50 [30] S.G. Rautian, I.I. Sobel'man, Sov. Phys. Usp. Engl. Transl. **9** (1967) 701-716.
51
52 [31] M. Nelkin, A. Ghatak, Phys. Rev. **135**, A4 (1964).
53
54 [32] L. Galatry, Phys. Rev. **122**, 1218 (1961).
55
56 [33] X. Ouyang, P.L. Varghese, Appl. Opt. **28**, 1538 (1989).
57
58
59
60

- 1
2
3
4 [34] L. Joly, V. Zéninari, B. Parvitte, D. Weidmann, D. Courtois, Y. Bonetti, T.
5
6 Aellen, M. Beck, J. Faist, D. Hofstetter, *Appl. Phys. B* **77**, 703 (2003).
7
8
9 [35] V. Zéninari, L. Joly, B. Grouiez, B. Parvitte, A. Barbe, *JQSRT* **105**, 312 (2007).
10
11
12 [36] R. A. Toth, L. R. Brown, C. Plymate, *JQSRT* **59**, 529 (1998).
13
14
15
16
17
18
19
20
21
22
23
24
25
26
27
28
29
30
31
32
33
34
35
36
37
38
39
40
41
42
43
44
45
46
47
48
49
50
51
52
53
54
55
56
57
58
59
60

For Peer Review Only

Table 1. List of the dimensionless parameters of the normalized line shape functions.

Dimensionless Parameter		Related Dimensional parameters ^b
Definition ^a	Description	
$x = \frac{\nu - \nu_0}{\alpha_D}$	Frequency detuning from resonance frequency	Wavenumber frequency ν and line centre ν_0 [cm^{-1}].
$y = \frac{\gamma_L}{\alpha_D}$	Frequency of broadening collisions	Collisional half width, γ_L ; Pressure broadening coefficient, γ_L^0 [$\text{cm}^{-1}\text{atm}^{-1}$]
$z = \frac{\beta}{\alpha_D}$	Effective frequency of velocity changing collisions (weak collision model)	Collisional narrowing, β ; Collisional narrowing parameter, β^0 [$\text{cm}^{-1}\text{atm}^{-1}$].
$\zeta = \frac{\Omega}{\alpha_D}$	Frequency of velocity changing collisions (strong collision model)	Collisional narrowing, Ω ; Collisional narrowing parameter, Ω^0 [$\text{cm}^{-1}\text{atm}^{-1}$].
$s = \frac{\delta}{\alpha_D}$	Effective frequency of shifting collision	Line shift, δ ; Line shift coefficient, δ^0 [$\text{cm}^{-1}\text{atm}^{-1}$].

^a α_D denotes the 1/e Doppler half width.

^b The upper script 0 indicates quantities normalized to a pressure of 1 atm.

Table 2. Normalized line shape function implemented in VLSFP.

Profile and Physical features	Equation ^a
<p>Doppler</p> <p>Inhomogeneous broadening by random thermal motion.</p>	$f(x) = \frac{1}{\sqrt{\pi}} e^{-x^2}$
<p>Lorentz</p> <p>Homogeneous broadening by internal state perturbing collisions with negligible thermal motion contribution.</p>	$f(x-s, y) = \frac{1}{\pi} \frac{y}{y^2 + (x-s)^2}$
<p>Voigt</p> <p>Broadening by thermal motion and internal state perturbing collisions. The two broadening mechanism are considered to be statistically independent.</p>	$f(x-s, y) = \Re\{w(x, y)\} = \frac{y}{\alpha_D \pi^{3/2}} \int_{-\infty}^{+\infty} \frac{e^{-t^2}}{[(x-s)-t]^2 + y^2} dt$
<p>Galatry</p> <p>Broadening by thermal motion and internal state perturbing collisions; weak collision model for velocity changing collisions.</p>	$f(x-s, y, z) = \frac{1}{\pi} \operatorname{Re} \left\{ \int_0^{+\infty} e^{-t[y+i(x-s)]+(2z^2)^{-1}[1-zt-e^{-zt}]} dt \right\}$
<p>Nelkin & Ghatak / Rautian & Sobel'man</p> <p>Broadening by thermal motion and internal state perturbing collisions; strong collision model for velocity changing collisions.</p>	$f(x-s, y, \zeta) = \frac{1}{\sqrt{\pi}} \operatorname{Re} \left[\frac{w(x-s, y+\zeta)}{1 - \sqrt{\pi\zeta} w(x-s, y+\zeta)} \right]$

^a $w(x, y)$ is the complex probability function.

Table 3. Obtained line parameters of the ro-vibrational transitions of the ν_1 band of SO_2^a employed to test VLSFP.

J'	K_a'	K_c'	J''	K_a''	K_c''	$\tilde{\nu}_0$ [cm^{-1}]	γ_{self}^0 [$\text{cm}^{-1}\text{atm}^{-1}$]		S^0 [10^{-22} $\text{cm}\cdot\text{molecule}^{-1}$]	
							This work	Literature	This work	Literature
20	14	6	21	15	7	1089.52139(7)	0.266(5)	0.26 ₄ (14) ^b	5.51(3)	5.67(21) ^b
33	11	23	34	12	22	1089.72440(9)	0.340(10)	0.29 ₉ (17) ^b	3.55(6)	2.99(18) ^b
29	18	12	29	19	11	1089.79423(13)	0.20(2)	0.21 ₇ (11) ^c	0.65(2)	0.746(101) ^d
51	7	45	52	8	44	1089.8234(2)	0.40(6)	–	0.51(5)	–
24	13	11	25	14	12	1089.84713(3)	0.268(7)	0.28 ₃ (13) ^c	5.70(5)	5.66(11) ^d
15	15	1	16	16	0	1089.87257(4)	0.161(7)	0.19 ₂ (10) ^c	6.78(8)	6.91(12) ^d
32	10	22	33	11	23	1089.7409(2) ^e	0.27(4)	0.25 ₀ (21) ^c	0.71(4)	0.563(12) ^d

^a Figures in parentheses are one standard deviations.

^b From Ref. [34].

^c From Ref. [35]; the quoted uncertainties have been derived from the error bars of Figures 4, 6 and 8.

^d From Ref. [35].

^e Belonging to $\nu_1 + \nu_2 - \nu_2$ of $^{32}\text{SO}_2$; an overlapping with $16_{13,3} \leftarrow 17_{14,4}$ of $^{34}\text{SO}_2$ ν_1 band also occurs.

Table 4. Obtained line parameters of the ro-vibrational transitions of the ν_7 band of CH_2CHF^a .

J'	K_a'	K_c'	J''	K_a''	K_c''	$\tilde{\nu}_0$ [cm^{-1}]	γ_{self}^0 [$\text{cm}^{-1}\text{atm}^{-1}$]		S^0 [10^{-21} $\text{cm}\cdot\text{molecule}^{-1}$]
							Voigt	Nelkin - Ghatak	
10	1	10	11	1	11	1148.1499(8)	0.80(10)	0.78(2)	2.8(2)
10	7	3	11	7	4	1148.1963(4)	–	0.69(6)	3.05(4)
10	8	2	11	8	3	1148.30268(13)	0.48(4)	0.88(4)	2.88(2)
9	1	8	10	1	9	1148.3454(2)	0.74(2)	0.80(2)	4.253(13)
8	0	8	9	1	9	1148.3689(2)	–	–	0.72(2)
10	9	1	11	9	2	1148.4210(2)	0.31(2)	0.54(6)	2.59(2)
9	2	7	10	2	8	1148.4327(2)	0.75(2)	0.39(3)	4.29(2)
9	1	8	9	2	7	1148.4574(4)	0.51(5)	0.87(10)	0.63(3)
20	1	19	20	2	18	1148.5396(3)	–	–	0.70(4)
10	10	0	11	10	1	1148.5513(3)	–	–	0.85(2)
9	3	6	10	3	7	1148.5644(3)	0.47(6)	0.45(5)	3.30(5)
9	3	7	10	3	8	1148.5742(3)	–	0.65(10)	4.6(2)
9	2	8	10	2	9	1148.5792(3)	–	0.84(6)	5.3(3)

^a Figures in parentheses are one standard deviations.

1
2
3
4
5 **Figure Captions**
6
7
8

9 Figure 1. Block diagram representing the implementation of VLSFP. Each box
10 represents a class referred to as Object (C. M. stands for collision model).
11
12 The objects interact with each other to make the application: the arrow
13 means “derives from”, the diamond means “makes use of” (see text for
14
15
16
17
18
19
20
21
22
23
24
25
26
27
28
29
30
31
32
33
34
35
36
37
38
39
40
41
42
43
44
45
46
47
48
49
50
51
52
53
54
55
56
57
58
59
60

Figure 2. A single line fit obtained employing VLSFP. Row (a) shows the
experimental (\circ) and computed spectrum ($—$). Experimental details:
SO₂ total pressure = 107.0 Pa, path length = 92.3 cm, temperature = 297
K. The remaining rows show the residuals obtained from different
models: (b) Voigt; (c) weak collision model (wcm); (d) strong collision
model (scm). The standard deviations of the fits, σ (cm⁻¹), are: $\sigma_{\text{Voigt}} =$
 1.6×10^{-3} ; $\sigma_{\text{wcm}} = 0.88 \times 10^{-3}$; $\sigma_{\text{scm}} = 0.90 \times 10^{-3}$.

Figure 3. Multi – line fit of the SO₂ spectrum between 1089.69 and 1089.87 cm⁻¹:
row (a) shows the experimental (\circ) and computed spectrum ($—$).
Experimental details: SO₂ total pressure = 511.4 Pa, path length = 92.3
cm, temperature = 297 K. The remaining rows show the residuals
obtained from different models: (b) Voigt; (c) weak collision model
(wcm); (d) strong collision model (scm). The standard deviations of the
fits, σ (cm⁻¹), are: $\sigma_{\text{Voigt}} = 4.0 \times 10^{-3}$; $\sigma_{\text{wcm}} = 3.1 \times 10^{-3}$; $\sigma_{\text{scm}} = 3.2 \times 10^{-3}$.

1
2
3
4
5 Figure 4. Comparison between the determined line parameters (∇) and the values
6 of Refs. [34] (\diamond) and [35] (\circ). Upper trace: self broadening coefficients;
7
8 lower trace: line strengths.
9
10

11
12
13
14 Figure 5. Vinyl fluoride spectrum between 1148.14 and 1148.6 cm^{-1} : (a)
15 experimental (\circ) and computed spectrum (—). Experimental details:
16
17 CH_2CHF total pressure = 30.6 Pa, path length = 92.3 cm, temperature =
18
19 299 K. The remaining rows show the residuals obtained from different
20
21 models: (b) Voigt; (c) strong collision model (scm); The standard
22
23 deviations of the fits, σ (cm^{-1}), are: $\sigma_{\text{Voigt}} = 4.5 \times 10^{-3}$; $\sigma_{\text{scm}} = 2.6 \times 10^{-3}$.
24
25
26
27
28
29
30
31
32
33
34
35
36
37
38
39
40
41
42
43
44
45
46
47
48
49
50
51
52
53
54
55
56
57
58
59
60

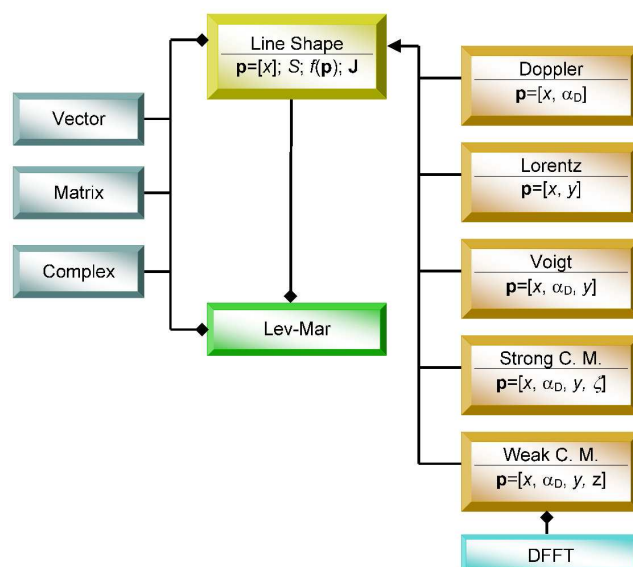


Figure 1

297x210mm (600 x 600 DPI)

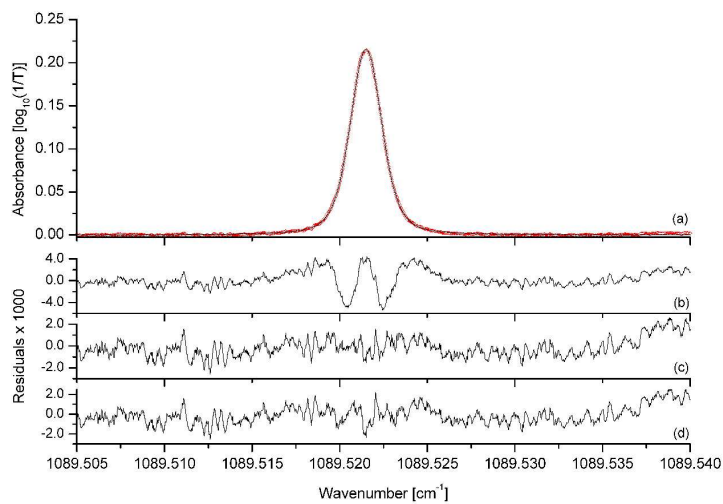


Figure 2

297x210mm (600 x 600 DPI)

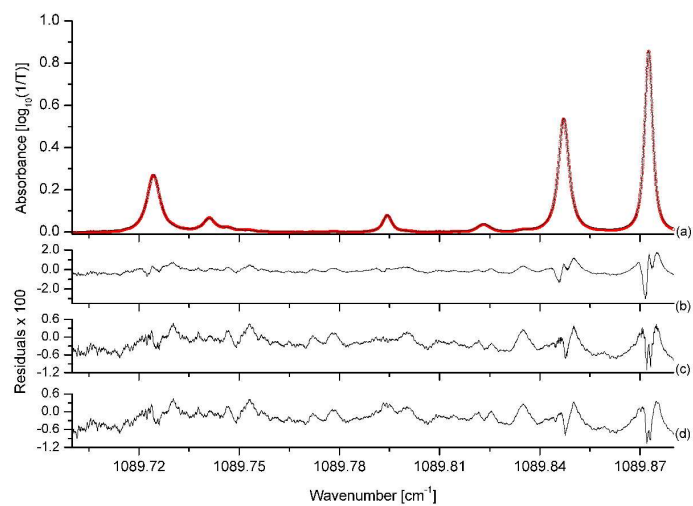


Figure 3

297x210mm (600 x 600 DPI)

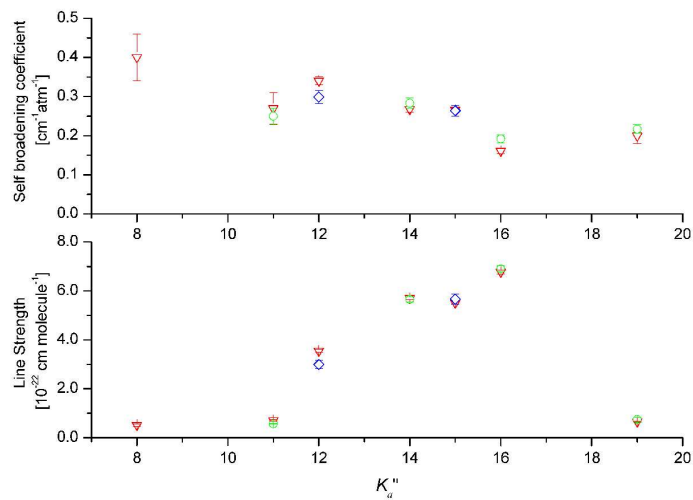


Figure 4

297x210mm (600 x 600 DPI)

View Only

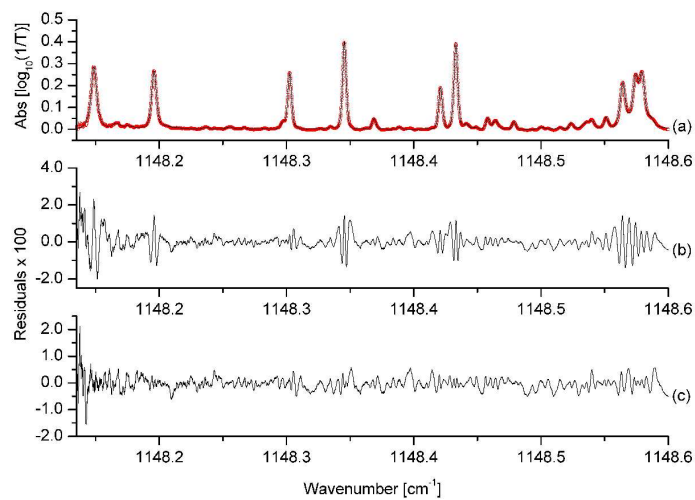


Figure 5

297x210mm (600 x 600 DPI)

1
2
3
4 **Determination of the Vinyl Fluoride line intensities by TDL spectroscopy:**
5
6 **the Object Oriented approach of Visual Line Shape Fitting Program to the line**
7
8 **profile analysis**
9
10

11
12 Nicola Tasinato*, Andrea Pietropoli Charmet, Paolo Stoppa, Santi Giorgianni
13

14
15
16
17 Università Ca' Foscari di Venezia – DCF – I-30123 Venezia (Italy)
18
19

20
21 **Abstract**
22

23
24
25 In this work the self-broadening coefficients and the integrated line intensities
26 for a number of ro-vibrational transitions of vinyl fluoride have been determined for the
27 first time by means of TDL spectroscopy. The spectra recorded in the atmospheric
28 window around 8.7 μm appear very crowded with a density of about 90 lines per cm^{-1} .
29 In order to fit these spectral features a new fitting software has been implemented. The
30 program which is designed for laser spectroscopy, can fit many lines simultaneously on
31 the basis of different theoretical profiles (Doppler, Lorentz, Voigt, Galatry and Nelkin –
32 Ghatak). Details of the *Object Oriented* implementation of the application are given.
33 The reliability of the program is demonstrated by determining the line parameters of
34 some ro-vibrational lines of sulphur dioxide in the ν_1 band region around 9 μm . Then
35 the software is used for the line profile analysis of vinyl fluoride. The experimental line
36 shapes show deviations from the Voigt profile which can be well modelled by using a
37 Dicke narrowed line shape function. This leads to the determination of the self-
38 narrowing coefficient within the framework of the strong collision model.
39
40
41
42
43
44
45
46
47
48
49
50

51
52 **Keywords:** Vinyl fluoride; Line parameter determination; Line shape fitting software;
53 Weak and strong collision models; Voigt and Dicke narrowed profiles.
54
55

56
57 _____
58 * Corresponding author.

59 E-mail: tasinato@unive.it; Phone: +39 041 2348598; Fax: +39 041 2348594

60 Address: Università Ca' Foscari Venezia, Dipartimento di Chimica Fisica, Dorsoduro 2137, I-30123
VENEZIA (Italy)

1. Introduction

The study of the Earth and planetary atmospheres and of the interstellar medium by means of spectroscopic techniques has rapidly grown up since the earlier experiments in the second half of the 1900. Among the various techniques, infrared spectroscopy plays a significant role, in particular for remote sensing of the terrestrial atmosphere. In fact, IR remote sensing permits to monitor and accurately retrieve the concentration of the atmospheric constituents and trace pollutants. Though, in order to obtain reliable measurements, an accurate knowledge of the line parameters, such as line centres, intensities and pressure broadening coefficients, is required.

Thanks to the availability of always more powerful computers, the time consuming task of inverting the experimental spectra to extract spectroscopic parameters has become increasingly assisted by computer programs. Compared to the huge number of software available for extracting the Hamiltonian's parameters from the assigned line positions (a list of freely available devices is given in [1]), some programs specifically designed to perform the line shape analysis by fitting the experimental spectrum have been presented (see, for example, [2 – 6]). It is worthwhile to note that these programs appear specifically designed to deal mostly with FTIR spectra. As a consequence, during the fitting procedure, they explicitly take into account the step of the parameterization of the FTIR instrumental line shape. These software, based on the multi-spectrum fitting technique, are the best choice when the large number of lines recorded by the interferometer in a single scan needs to be analyzed.

On the other hand, the spectrometers based on laser sources have a simpler instrumental contribution, generally modelled as a Gaussian or Lorentzian function.

1
2
3
4
5 Furthermore, the spectral region which can be recorded in a scan is of the order of some
6 wavenumbers, thus greatly reducing the amount of lines to be accounted for in a single
7 spectrum. In many cases, the line shape analysis is carried out by using home made
8 programs which are sometimes designed to fit the experimental features to a single
9 theoretical function. Further, some programs are able to fit only one absorption line at
10 time and still run from a command line window, thus avoiding an immediate
11 comparison between the experimental data and the theoretical model. Commercial
12 packages, such as IGOR Pro [7] and Origin [8], can be employed as well, although they
13 are not completely well suited for this purpose.

14
15
16
17
18
19
20
21
22
23
24
25
26
27
28
29
30
31
32
33
34
35
36
37
38
39
40
41
42
43
44
45
46
47
48
49
50
51
52
53
54
55
56
57
58
59
60
Vinyl Fluoride, CH_2CHF , is widely used by industry mainly as monomer for the
production of synthetic materials such as poly-vinyl fluoride. The potential role of
halogenated alkenes as air pollutants has motivated a number of spectroscopic
investigations and studies about their reactivity toward hydroxyl radical and ozone (see
Refs.[9, 10] and references therein).

The infrared spectra of vinyl fluoride have been deeply investigated by our
research group (see Refs. [11 – 13] and references therein). The studies have mainly
dealt with the analysis of the high resolution spectra and the obtained results have led to
the determination of accurate spectroscopic parameters for a number of fundamental
and overtone vibrations and a thorough understanding of the observed perturbations.
Recently, the medium resolution spectrum has been studied in the $400 - 8000 \text{ cm}^{-1}$
region and the integrated absorption cross sections have been determined for the first
time [13]. In addition, *ab-initio* calculations with large basis sets have been performed
at the CCSD(T) level of theory leading to the determination of harmonic and
anharmonic force fields.

1
2
3
4
5
6
7
8
9
10
11
12
13
14
15
16
17
18
19
20
21
22
23
24
25
26
27
28
29
30
31
32
33
34
35
36
37
38
39
40
41
42
43
44
45
46
47
48
49
50
51
52
53
54
55
56
57
58
59
60

Despite the industrial importance of vinyl fluoride, there exist no studies on the determination of the line parameters of the ro-vibrational absorption lines. The lack of literature data is partly motivated by the complex structure of the high resolution spectrum. In the present work we report the very first results obtained from the line shape analysis in the ν_7 band region around 1148 cm^{-1} by means of tunable diode laser (TDL) spectroscopy. In this region, the spectrum of vinyl fluoride appears very crowded even at low pressures. Hence, the analysis strongly requires a fitting software capable to simultaneously fit all the absorptions present in the spectral micro-windows acquired by the TDL system. For this reason we implemented a new software for the line shape fitting and the retrieval of the line parameters. The program, called Visual Line Shape Fitting Program (VLSFP), can fit several lines at once using different theoretical line shape functions. These include the Doppler, Lorentz and Voigt profiles, as well as the Galatry and Nelkin – Ghatak functions. The reliability of VLSFP has been tested by retrieving the sulphur dioxide line parameters and comparing them with the literature values. In this paper we also describe the program implementation and validation. In Section 2 the adopted experimental procedure is outlined while Sections 3 and 4 are concerned with the description of the fitting software and its test. Then in Section 5 we illustrate the results of the line shape analysis of vinyl fluoride. Conclusions and future work are addressed in Section 6.

2. Experimental procedure and data inversion

The high resolution spectra of either sulphur dioxide or vinyl fluoride were acquired on our tunable diode laser spectrometer employing a $92.3 (\pm 0.2)$ cm path

length cell with KBr windows. The gas sample pressures were measured employing an Alcatel ARD 1003 capacitance gauge with a full scale range of 1000 Pa and a quoted manufacturer's accuracy of 1.5 Pa. Before each measurements the cell was evacuated down to about 10^{-4} Pa; an elapse time of 10 and 20 minutes, for SO_2 and CH_2CHF respectively, between the filling of the cell and the spectrum acquisition was adopted. The spectra were calibrated employing the SO_2 line frequencies obtained by high resolution FTIR measurements. The SO_2 and CH_2CHF gas samples were provided by Sigma – Aldrich (99.9% purity) and Peninsular Chemical Research Inc. (99% purity), respectively, and were used without any further purification; no buffer gasses were employed. The SO_2 spectra were acquired at $297 (\pm 1)$ K and the pressures were varied in the range between 15 and 800 Pa. The measurements on CH_2CHF were carried out at $299 (\pm 1)$ K with pressures ranging from 7 to 68 Pa.

Since the instrumental response of our TDL spectrometer is well described by a Gaussian function, its contribution to the line shapes was explicitly taken into account during the fitting procedure by fixing the Doppler half width to an effective value, γ_D^{eff} , given by

$$\gamma_D^{\text{eff}} = \sqrt{(\gamma_D^{\text{sample}})^2 + (\gamma_D^{\text{TDL}})^2} \quad (1)$$

where γ_D^{sample} and γ_D^{TDL} are the molecular and instrumental Doppler half widths, respectively. The value of γ_D^{eff} was retrieved by fitting the spectral lines recorded at low pressure (less than 30 Pa and 10 Pa for SO_2 and CH_2CHF , respectively) to a Gaussian profile.

3. Visual Line Shape Fitting Program implementation: an Object Oriented approach

VLSFP has been written combining Microsoft Visual Basic and C# for the graphical interface and the computational kernel, respectively. The determination of the line parameters within a given theoretical model is performed through an iterative procedure using the Levenberg – Marquardt algorithm [14, 15]. The algorithm has been implemented following the pseudo-code described in [16] and then modified in order to set bounds to the variability of the parameters or to keep the parameter values constrained, as described by Kanzow et al. [17]. In the current implementation, the algorithm terminates when the maximum number of iterations is completed or when one of the convergence criteria is met. These criteria are related to the square of the Euclidean norm of the residuals, its gradient and to the variation of the parameters between two subsequent iterations. The fitting routine runs as a background process avoiding the program interface to be frozen during the execution of the fitting task.

The computational kernel, schematically depicted in Figure 1, has been designed following an *Object Oriented Programming* approach [18]. This programming technique, born around 1960s, uses objects and their interactions to design computer programs. An application is then composed of a collection of cooperating objects, rather than an ensemble of subroutines that compute specific tasks. Each box of Figure 1 is referred to as class and it represents an “object”. The class defines the properties (the class variables) of the corresponding object and its behaviour (the class methods). The object is able to process data and mostly to interact with other objects by receiving and sending messages. In a pictorial representation, every single object can be seen as a little

1
2
3
4 machine with its own task. The set of distinct machines then cooperate to accomplish an
5
6 objective: in our case the fit of the experimental line shape by means of different
7
8 theoretical profiles.
9

10 Referring to Figure 1, the classes Vector, Matrix and Complex implement
11
12 vector, matrix and complex algebra, respectively. They are used by the other objects of
13
14 the project to store and process the data. The matrices have been implemented as one-
15
16 dimensional arrays thus speeding up the access to their elements. The fitting routines
17
18 have been encapsulated inside the class LevMar and they have been designed to deal
19
20 with a generic object of the type Line Shape. Line Shape represents an abstract class,
21
22 that is an abstract object which defines the common characteristics possessed by all the
23
24 line shapes (for example, the computed line profile, the line parameters array and the
25
26 Jacobian matrix). The single line shape functions have been derived from the main
27
28 abstract class and within each class a specific implementation of the methods has been
29
30 made. As a consequence, new line shape functions, such as the speed dependent
31
32 profiles, can be implemented without changing neither the LineShape nor the LevMar
33
34 classes.
35
36
37
38
39
40
41

42 The line shape functions have been implemented in the normalized form.
43
44 Denoting the generic line function by $f(\mathbf{p})$, it is normalized to unitary area:
45
46
47
48

$$49 \int_{-\infty}^{+\infty} f(\mathbf{p}) dx = 1 \quad (2)$$

50
51
52
53
54
55 where $\mathbf{p} = [x, y, z, \dots]$ is the vector of dimensionless parameters which are described in
56
57 Table 1 following the notation of Varghese and Hanson [19]. As it can be seen, the line
58
59 parameters are normalized by the effective Doppler half width defined as
60

$$\alpha_D = \frac{\gamma_D}{\sqrt{\ln 2}} \quad (3)$$

where γ_D is the dimensional Doppler half width given by [20]

$$\gamma_D = \frac{\nu_0}{c} \left(\frac{2k_B N_A T \ln 2}{m} \right)^{1/2} \quad (4)$$

where ν_0 is the resonant frequency; c is the speed of light; k_B is the Boltzman's constant; N_A is the Avogadro's number; T (K) is the absolute temperature, m (a. m. u.) is the mass of the absorbing gas.

According to Beer – Lambert's law, the transmission of monochromatic radiation travelling a path of length ℓ through a uniform gas at pressure p is given by

$$I(\nu) = I_0 e^{-k(\nu) p \ell} \quad (5)$$

where I_0 is the unattenuated intensity of the radiation having frequency ν . The quantity $k(\nu)$ is called the absorption coefficient and, for a single absorption line, it can be expressed in the form:

$$k(\nu) = S f(\nu - \nu_0) \quad (6)$$

1
2
3
4
5 where S is the integrated absorption coefficient (also referred to as line intensity) and
6
7 $f(\nu - \nu_0)$ is the line shape function as defined in equation (2). The dimensionless line
8
9 shape functions implemented in VLSFP are listed in Table 2. During the fitting
10
11 procedure, VLSFP refines the line intensity S , the line frequency centre ν_0 and the
12
13 remaining line parameters, which clearly depend on the specific line shape function.
14

15
16 The Voigt profile is widely used for modelling the spectral line profiles and in
17
18 other scientific areas ([21] and references therein), and hence the issue of its
19
20 computation has been dealt over long time and intensive efforts have led to the
21
22 development of many algorithms [22 – 27]. A comprehensive survey of the different
23
24 computational approaches has been reported by Schreier [28]. In VLSFP, the Voigt
25
26 function is computed employing the optimized version of Humlíček's code proposed by
27
28 Wells [29]. Since this algorithm computes also the imaginary part of the complex
29
30 probability function, it can be conveniently used for the computation of the Nelkin –
31
32 Ghatak profile [30, 31], as well.
33
34
35
36

37
38 Concerning the Galatry function [32], the profile is computed by the Fourier
39
40 transform of the corresponding correlation function, $\Phi(y, z, t)$, following the algorithm
41
42 proposed by Ouyang and Varghese [33]:
43
44
45
46

$$47 \quad f(x - s, y, z) = \frac{1}{\pi} \operatorname{Re} \left\{ \mathfrak{F}[\Phi(y, z, t)] \right\} \quad (7)$$

48
49
50
51
52

53
54 where \mathfrak{F} indicates the Fourier transform operator. The derivatives are in turn
55
56 computed via the Fourier transform of the appropriate correlation function. As a
57
58 consequence, a discrete fast Fourier transform routine (DFFT) has been implemented.
59
60

4. Test of VLSFP with SO₂ lines

VLSFP has been tested by retrieving the parameters of some ro-vibrational lines of sulphur dioxide in the region around 9 μm . This region is characterized by the absorptions of the ν_1 fundamental corresponding to the symmetric stretching normal mode. In this section the results for a number of lines are presented in order to demonstrate the reliability of the application.

An example of the fits obtained for an isolated absorption line is given in Figure 2. When fitted to a Voigt profile, this line seems to show the effect of Dicke narrowing as suggested by the shape of the residuals. As a consequence, the line has also been fitted employing the weak and strong collision models. As can be seen from the plots of the residuals, the models accounting for the velocity changing collision effects reproduce properly the observed line shape.

A wider spectral region is shown in Figure 3. In this case, the lines have been fitted to a Voigt profile, employing the multi – line fitting procedure. In general, all the lines have been well reproduced although the residuals show some regular trends. This behaviour can be partly explained by the presence of very weak lines underneath the stronger ones. These lines, being not resolved at all, can not be taken into account during the fits but at the same time cause asymmetries in the observed absorptions. For the same reason, the Dicke narrowed profiles are not able to account for all the deviations. Anyway, even in such situation, the physical meaning of the parameters is preserved. This has been confirmed by plotting the collisional half widths and the line intensities as a function of the gas pressure: the line parameters lie on straight lines passing through the origin.

1
2
3
4 The obtained line parameters are listed in Table 3 together with the more recent
5 literature values [34, 35] whose comparison is shown in Figure 4. As it can be seen, the
6 present data and the literature values agree in a very satisfactory manner, indicating the
7 reliability of the retrieved line parameters and hence validating the computational kernel
8 of VLSFP.
9
10
11
12
13
14
15
16
17
18
19
20

21 **5. Determination vinyl fluoride line shape parameters**

22
23
24
25

26 The spectrum of vinyl fluoride in the 8.7 μm atmospheric region is characterized
27 by the ro-vibrational transitions belonging to the ν_7 band which corresponds to the C—F
28 stretching. As pointed out in the introduction, this spectral region is very crowded: the
29 high density of lines, about 90 lines per cm^{-1} , can be appreciated in Figure 5 (a). Besides
30 the stronger absorption of the ν_7 normal mode, the majority of the weakest lines is due
31 to the ro-vibrational transitions of the $\nu_7 + \nu_9 - \nu_9$ hot band. Due to their intensity these
32 lines strongly affect the main features and therefore they must be accounted during the
33 fitting procedure.
34
35
36
37
38
39
40
41
42
43
44

45 When the spectral lines are fitted to the Voigt profile, the shape of the residuals
46 shows significant deviations from this model, as illustrated in Figure 5 (b). For this
47 reason the lines have also been fitted employing the Nelkin – Ghatak profile. By using
48 this strong collision model there is a dramatic improvement of the residuals as it is
49 shown in Figure 5 (c): the standard deviation of the fit decreases by about a factor of
50 two. Therefore, in the pressure range investigated the self-broadened vinyl fluoride
51 sample appears as system strongly affected by the motional narrowing effect in which
52
53
54
55
56
57
58
59
60

1
2
3
4 either the velocity changing collisions and the internal state – dephasing collisions play
5
6 an almost equal role in determining the shape of the spectral lines. Consequently, the
7
8 line profiles accounting for the Dicke narrowing effect must be employed to properly
9
10 model the experimental features.
11
12

13
14 The retrieved line parameters for the ν_7 lines are listed in Table 4. The line
15
16 parameters of the hot band have been determined as well, but they are not given here
17
18 because of the lack of a reliable assignment of the ro-vibrational transitions at present.
19
20 Again, we preferred to not report the self-broadening coefficient of three lines because
21
22 their accuracy is too low. This is due to the small range of vinyl fluoride pressures
23
24 adopted in the experiments which limits the amount of pressure broadening for some of
25
26 the lines. On the other hand, the use of low pressures is strongly recommended in order
27
28 to avoid the saturation of the absorptions, and hence working in the experimental
29
30 conditions of applicability of the Beer – Lambert law. As can be seen from Table 4, the
31
32 obtained self-broadening coefficients ranges from 0.4 to 0.9 $\text{cm}^{-1} \text{atm}^{-1}$. Such a wide
33
34 interval is shown, for instance, by water vapour, whose self-broadening parameters are
35
36 between 0.1 and 0.5 $\text{cm}^{-1} \text{atm}^{-1}$ [36]. Besides, to a first investigation no dependence on
37
38 the quantum numbers have been observed. This is understandable by considering the
39
40 reduced set of data in which the majority of lines belong to the $^{\text{Q}}\text{P}$ subband. Therefore,
41
42 in order to draw a more reliable conclusion about the quantum number dependence of
43
44 the self-broadening coefficients, the analysis need to extended to a spectral region as
45
46 wide as possible including the B-type transitions, as well.
47
48
49
50
51
52
53

54 The fits employing the Nelkin – Ghatak profile led to the determination of the
55
56 narrowing parameter which result to be 0.40 (± 0.08) $\text{cm}^{-1} \text{atm}^{-1}$. As can be seen, the
57
58 magnitude of the self-broadening and self-narrowing have a similar extent.
59
60

6. Conclusions and Outlook

The very first results of the line shape analysis of the vinyl fluoride infrared absorptions have been presented and discussed. In addition, the details of the implementation and validation of the fitting software (VLSFP) used for the analysis have been given.

The program has been specifically designed to deal with the spectra recorded by means of laser based spectrometers in which the instrumental function can be modelled as a Gaussian or Lorentzian functions. Besides these two functions, the spectral absorptions can be fitted employing the Voigt profile as well as the weak and strong collision models which account for the Dicke narrowing effect. The application has been implemented following a strongly *Object Oriented Programming* approach which leads to an easier maintenance and future developments. The program runs under Windows environment and it has a standard graphical interface according to the version of the operation system currently in use. In order to test the program, the line parameters of some sulphur dioxide lines have been determined and compared with the literature data. Once validated, VLSFP has been used to obtain the line parameters of CH₂CHF.

The vinyl fluoride spectra in the 1148 cm⁻¹ atmospheric region have been recorded with our TDL spectrometer at 299 K. The measurements have been carried out on a self-broadened CH₂CHF sample with pressures in the range between 7 and 68 Pa: even at these low gas pressures the spectrum presents a high density of absorption lines. The self-broadening and integrated absorption coefficients for 13 lines belonging to the R branch of the ν_7 normal mode have been determined for the first time. The experimental line shapes showing deviations from the Voigt profile have also been

1
2
3
4 fitted using the Nelkin – Ghatak profile. This has led to the determination of the self –
5
6
7 narrowing coefficient.

8
9 The present paper gives an overview of the work that we are carrying out at
10
11 present. Indeed, on the basis of the good results obtained from the analysis of the vinyl
12
13 fluoride crowded spectra, we are going to extend the investigation in a spectral region as
14
15 wide as possible with the aim to derive the vinyl fluoride line parameters in the 8 – 9
16
17 μm atmospheric window. Future work will also be devoted toward a definitive
18
19 assignment of the transitions belonging to the $\nu_7 + \nu_9 - \nu_9$ hot band and to an
20
21 improvement of the accuracy for some of the broadening coefficients.
22
23
24
25
26
27
28
29
30

31 **Acknowledgments**

32
33
34
35 The authors thank Prof. P. L. Varghese for the code for the computation of the
36
37 Galatry function. The authors also gratefully acknowledge Prof. J. M. Flaud for the SO_2
38
39 data about ν_1 and $\nu_1 + \nu_2 - \nu_2$ upon which the assignments have been made. This work
40
41 was financially supported by PRIN 2007 (project: “*Trasferimenti di energia, carica e*
42
43 *molecole in sistemi complessi*”).
44
45
46
47
48
49
50
51
52
53
54
55
56
57
58
59
60

References

- [1] Z. Kisiel, PROSPE – Programs for Rotational SPECTroscopy, <<http://info.ifpan.edu.pl/~kisiel/prospe.htm/>>.
- [2] M. Carlotti, *Appl. Opt.* **27**, 3250 (1988).
- [3] D.C. Benner, C.P. Rinsland, V.M. Devi, M.A.H. Smith, D.A. Atkins, *JQSRT* **53**, 705 (1995).
- [4] A.S. Pine, T. Gabard, *JQSRT* **66**, 69 (2000).
- [5] D. Jacquemart, J.Y. Mandin, V. Dana, N. Picqué, G.A. Guelachvili, *Eur. Phys. J. D* **14**, 55 (2001).
- [6] J.J. Plateaux, L. Ragalia, C. Boussin, A. Barbe, *JQSRT* **68**, 507 (2001).
- [7] Wavemetrics Inc. <<http://www.wavemetrics.com>>.
- [8] Microcal. <<http://www.originlab.com/>>.
- [9] S. Sekušak, K. R. Liedl, A. Sabljic, *J. Phys. Chem. A* **102**, 1583 (1998).
- [10] I. Ljubić, A. Sabljic, *J. Phys. Chem. A* **106**, 4745 (2002).
- [11] P. Stoppa, A. Pietropolli Charmet, R. Visinoni, S. Giorgianni, *Mol. Phys.* **103**, 657 (2005).
- [12] N. Tasinato, P. Stoppa, A. Pietropolli Charmet, S. Giorgianni, A. Gambi, *J. Phys. Chem. A* **110**, 13412 (2006).
- [13] P. Stoppa, A. Pietropolli Charmet, N. Tasinato, S. Giorgianni, A. Gambi, *J. Phys. Chem. A* **113**, 1497 (2009).
- [14] K.A. Levenberg, *Quart Appl. Math.* **2**, 164 (1944).
- [15] D.V. Marquardt, *SIAM J. Appl. Math.* **11**, 431 (1963).

- 1
2
3
4
5 [16] K. Madsen, H.B. Nielsen, O. Tingleff, Methods for non-linear least squares
6 problems, 2nd ed. Informatics and mathematical modelling, Technical University
7 of Denmark (2004).
8
9
10
11 [17] C. Kanzow, N. Yamashita, M. Fukushima, J. Comput. Appl. Math. **172**, 375
12 (2004).
13
14
15 [18] B. Stroustrup, The C++ programming language, 3rd ed. Addison – Wesley
16 (1997).
17
18
19
20 [19] P.L. Varghese, R.K. Hanson, Appl. Opt. **23**, 2376 (1984).
21
22
23 [20] M.A.H. Smith, C.P. Rinsland, B. Fridovich, K.N. Rao, in: K.N. Rao (Ed.),
24 Molecular spectroscopy: Modern research, vol. 3, Academic. Press. Inc.,
25 London, pp. 111-248 (1985).
26
27
28
29 [21] W. J. Thompson, Comput. Phys. **7**, 627 (1993).
30
31
32 [22] S.R. Drayson, JQSRT **16**, 611 (1976).
33
34
35 [23] M.A. Kuntz, JQSRT **57**, 819 (1997).
36
37
38 [24] A.K. Hui, B.H. Armstrong, A.A. Wray, JQSRT **19**, 509 (1978).
39
40 [25] J. Humlíček, JQSRT **21**, 309 (1979).
41
42 [26] J. Humlíček, JQSRT **27**, 437 (1982).
43
44 [27] K.L. Letchworth, D.C. Benner, JQSRT **107**, 173 (2007).
45
46 [28] F. Schreier, JQSRT **48**, 743 (1992).
47
48 [29] R.J. Wells, JQSRT **62**, 29 (1999).
49
50 [30] S.G. Rautian, I.I. Sobel'man, Sov. Phys. Usp. Engl. Transl. **9** (1967) 701-716.
51
52 [31] M. Nelkin, A. Ghatak, Phys. Rev. **135**, A4 (1964).
53
54 [32] L. Galatry, Phys. Rev. **122**, 1218 (1961).
55
56 [33] X. Ouyang, P.L. Varghese, Appl. Opt. **28**, 1538 (1989).
57
58
59
60

- 1
2
3
4 [34] L. Joly, V. Zéninari, B. Parvitte, D. Weidmann, D. Courtois, Y. Bonetti, T.
5
6 Aellen, M. Beck, J. Faist, D. Hofstetter, *Appl. Phys. B* **77**, 703 (2003).
7
8
9 [35] V. Zéninari, L. Joly, B. Grouiez, B. Parvitte, A. Barbe, *JQSRT* **105**, 312 (2007).
10
11
12 [36] R. A. Toth, L. R. Brown, C. Plymate, *JQSRT* **59**, 529 (1998).
13
14
15
16
17
18
19
20
21
22
23
24
25
26
27
28
29
30
31
32
33
34
35
36
37
38
39
40
41
42
43
44
45
46
47
48
49
50
51
52
53
54
55
56
57
58
59
60

For Peer Review Only

Table 1. List of the dimensionless parameters of the normalized line shape functions.

Dimensionless Parameter		Related Dimensional parameters ^b
Definition ^a	Description	
$x = \frac{\nu - \nu_0}{\alpha_D}$	Frequency detuning from resonance frequency	Wavenumber frequency ν and line centre ν_0 [cm^{-1}].
$y = \frac{\gamma_L}{\alpha_D}$	Frequency of broadening collisions	Collisional half width, γ_L ; Pressure broadening coefficient, γ_L^0 [$\text{cm}^{-1}\text{atm}^{-1}$]
$z = \frac{\beta}{\alpha_D}$	Effective frequency of velocity changing collisions (weak collision model)	Collisional narrowing, β ; Collisional narrowing parameter, β^0 [$\text{cm}^{-1}\text{atm}^{-1}$].
$\zeta = \frac{\Omega}{\alpha_D}$	Frequency of velocity changing collisions (strong collision model)	Collisional narrowing, Ω ; Collisional narrowing parameter, Ω^0 [$\text{cm}^{-1}\text{atm}^{-1}$].
$s = \frac{\delta}{\alpha_D}$	Effective frequency of shifting collision	Line shift, δ ; Line shift coefficient, δ^0 [$\text{cm}^{-1}\text{atm}^{-1}$].

^a α_D denotes the 1/e Doppler half width.

^b The upper script 0 indicates quantities normalized to a pressure of 1 atm.

Table 2. Normalized line shape function implemented in VLSFP.

Profile and Physical features	Equation ^a
<p>Doppler</p> <p>Inhomogeneous broadening by random thermal motion.</p>	$f(x) = \frac{1}{\sqrt{\pi}} e^{-x^2}$
<p>Lorentz</p> <p>Homogeneous broadening by internal state perturbing collisions with negligible thermal motion contribution.</p>	$f(x-s, y) = \frac{1}{\pi} \frac{y}{y^2 + (x-s)^2}$
<p>Voigt</p> <p>Broadening by thermal motion and internal state perturbing collisions. The two broadening mechanism are considered to be statistically independent.</p>	$f(x-s, y) = \mathcal{R}e[w(x, y)] = \frac{y}{\alpha_D \pi^{3/2}} \int_{-\infty}^{+\infty} \frac{e^{-t^2}}{[(x-s)-t]^2 + y^2} dt$
<p>Galatry</p> <p>Broadening by thermal motion and internal state perturbing collisions; weak collision model for velocity changing collisions.</p>	$f(x-s, y, z) = \frac{1}{\pi} \operatorname{Re} \left\{ \int_0^{+\infty} e^{-t[y+i(x-s)]+(2z^2)^{-1}[1-e^{-zt}]} dt \right\}$
<p>Nelkin & Ghatak / Rautian & Sobel'man</p> <p>Broadening by thermal motion and internal state perturbing collisions; strong collision model for velocity changing collisions.</p>	$f(x-s, y, \zeta) = \frac{1}{\sqrt{\pi}} \operatorname{Re} \left[\frac{w(x-s, y+\zeta)}{1 - \sqrt{\pi\zeta} w(x-s, y+\zeta)} \right]$

^a $w(x, y)$ is the complex probability function.

Table 3. Obtained line parameters of the ro-vibrational transitions of the ν_1 band of SO_2^a employed to test VLSFP.

J'	K_a'	K_c'	J''	K_a''	K_c''	$\tilde{\nu}_0$ [cm^{-1}]	γ_{self}^0 [$\text{cm}^{-1}\text{atm}^{-1}$]		S^0 [10^{-22} $\text{cm}\cdot\text{molecule}^{-1}$]	
							This work	Literature	This work	Literature
20	14	6	21	15	7	1089.52139(7)	0.266(5)	0.26 ₄ (14) ^b	5.51(3)	5.67(21) ^b
33	11	23	34	12	22	1089.72440(9)	0.340(10)	0.29 ₉ (17) ^b	3.55(6)	2.99(18) ^b
29	18	12	29	19	11	1089.79423(13)	0.20(2)	0.21 ₇ (11) ^c	0.65(2)	0.746(101) ^d
51	7	45	52	8	44	1089.8234(2)	0.40(6)	–	0.51(5)	–
24	13	11	25	14	12	1089.84713(3)	0.268(7)	0.28 ₃ (13) ^c	5.70(5)	5.66(11) ^d
15	15	1	16	16	0	1089.87257(4)	0.161(7)	0.19 ₂ (10) ^c	6.78(8)	6.91(12) ^d
32	10	22	33	11	23	1089.7409(2) ^e	0.27(4)	0.25 ₀ (21) ^c	0.71(4)	0.563(12) ^d

^a Figures in parentheses are one standard deviations.

^b From Ref. [34].

^c From Ref. [35]; the quoted uncertainties have been derived from the error bars of Figures 4, 6 and 8.

^d From Ref. [35].

^e Belonging to $\nu_1 + \nu_2 - \nu_2$ of $^{32}\text{SO}_2$; an overlapping with $16_{13,3} \leftarrow 17_{14,4}$ of $^{34}\text{SO}_2$ ν_1 band also occurs.

Table 4. Obtained line parameters of the ro-vibrational transitions of the ν_7 band of CH_2CHF^a .

J'	K_a'	K_c'	J''	K_a''	K_c''	$\tilde{\nu}_0$ [cm^{-1}]	γ_{self}^0 [$\text{cm}^{-1}\text{atm}^{-1}$]		S^0 [10^{-21} $\text{cm}\cdot\text{molecule}^{-1}$]
							Voigt	Nelkin - Ghatak	
10	1	10	11	1	11	1148.1499(8)	0.80(10)	0.78(2)	2.8(2)
10	7	3	11	7	4	1148.1963(4)	–	0.69(6)	3.05(4)
10	8	2	11	8	3	1148.30268(13)	0.48(4)	0.88(4)	2.88(2)
9	1	8	10	1	9	1148.3454(2)	0.74(2)	0.80(2)	4.253(13)
8	0	8	9	1	9	1148.3689(2)	–	–	0.72(2)
10	9	1	11	9	2	1148.4210(2)	0.31(2)	0.54(6)	2.59(2)
9	2	7	10	2	8	1148.4327(2)	0.75(2)	0.39(3)	4.29(2)
9	1	8	9	2	7	1148.4574(4)	0.51(5)	0.87(10)	0.63(3)
20	1	19	20	2	18	1148.5396(3)	–	–	0.70(4)
10	10	0	11	10	1	1148.5513(3)	–	–	0.85(2)
9	3	6	10	3	7	1148.5644(3)	0.47(6)	0.45(5)	3.30(5)
9	3	7	10	3	8	1148.5742(3)	–	0.65(10)	4.6(2)
9	2	8	10	2	9	1148.5792(3)	–	0.84(6)	5.3(3)

^a Figures in parentheses are one standard deviations.

1
2
3
4
5 **Figure Captions**
6
7
8

9 Figure 1. Block diagram representing the implementation of VLSFP. Each box
10 represents a class referred to as Object (C. M. stands for collision model).
11
12 The objects interact with each other to make the application: the arrow
13 means “derives from”, the diamond means “makes use of” (see text for
14
15
16
17
18
19
20
21
22
23
24
25
26
27
28
29
30
31
32
33
34
35
36
37
38
39
40
41
42
43
44
45
46
47
48
49
50
51
52
53
54
55
56
57
58
59
60

Figure 2. A single line fit obtained employing VLSFP. Row (a) shows the
experimental (\circ) and computed spectrum ($—$). Experimental details:
SO₂ total pressure = 107.0 Pa, path length = 92.3 cm, temperature = 297
K. The remaining rows show the residuals obtained from different
models: (b) Voigt; (c) weak collision model (wcm); (d) strong collision
model (scm). The standard deviations of the fits, σ (cm⁻¹), are: $\sigma_{\text{Voigt}} =$
 1.6×10^{-3} ; $\sigma_{\text{wcm}} = 0.88 \times 10^{-3}$; $\sigma_{\text{scm}} = 0.90 \times 10^{-3}$.

Figure 3. Multi – line fit of the SO₂ spectrum between 1089.69 and 1089.87 cm⁻¹:
row (a) shows the experimental (\circ) and computed spectrum ($—$).
Experimental details: SO₂ total pressure = 511.4 Pa, path length = 92.3
cm, temperature = 297 K. The remaining rows show the residuals
obtained from different models: (b) Voigt; (c) weak collision model
(wcm); (d) strong collision model (scm). The standard deviations of the
fits, σ (cm⁻¹), are: $\sigma_{\text{Voigt}} = 4.0 \times 10^{-3}$; $\sigma_{\text{wcm}} = 3.1 \times 10^{-3}$; $\sigma_{\text{scm}} = 3.2 \times 10^{-3}$.

1
2
3
4
5 Figure 4. Comparison between the determined line parameters (∇) and the values
6 of Refs. [34] (\diamond) and [35] (\circ). Upper trace: self broadening coefficients;
7
8 lower trace: line strengths.
9
10

11
12
13
14 Figure 5. Vinyl fluoride spectrum between 1148.14 and 1148.6 cm^{-1} : (a)
15 experimental (\circ) and computed spectrum (—). Experimental details:
16
17
18 CH_2CHF total pressure = 30.6 Pa, path length = 92.3 cm, temperature =
19
20 299 K. The remaining rows show the residuals obtained from different
21
22 models: (b) Voigt; (c) strong collision model (scm); The standard
23
24 deviations of the fits, σ (cm^{-1}), are: $\sigma_{\text{Voigt}} = 4.5 \times 10^{-3}$; $\sigma_{\text{scm}} = 2.6 \times 10^{-3}$.
25
26
27
28
29
30
31
32
33
34
35
36
37
38
39
40
41
42
43
44
45
46
47
48
49
50
51
52
53
54
55
56
57
58
59
60