



HAL
open science

Endocrine disruptors and thyroid hormone physiology

Mary-Line Jugan, Yves Levi, Jean-Paul Blondeau

► **To cite this version:**

Mary-Line Jugan, Yves Levi, Jean-Paul Blondeau. Endocrine disruptors and thyroid hormone physiology. *Biochemical Pharmacology*, 2010, 79 (7), pp.939. <10.1016/j.bcp.2009.11.006>. <hal-00560683>

HAL Id: hal-00560683

<https://hal.science/hal-00560683v1>

Submitted on 29 Jan 2011

HAL is a multi-disciplinary open access archive for the deposit and dissemination of scientific research documents, whether they are published or not. The documents may come from teaching and research institutions in France or abroad, or from public or private research centers.

L'archive ouverte pluridisciplinaire HAL, est destinée au dépôt et à la diffusion de documents scientifiques de niveau recherche, publiés ou non, émanant des établissements d'enseignement et de recherche français ou étrangers, des laboratoires publics ou privés.



HAL Authorization

Accepted Manuscript

Title: Endocrine disruptors and thyroid hormone physiology

Authors: Mary-Line Jugan, Yves Levi, Jean-Paul Blondeau

PII: S0006-2952(09)00970-8
DOI: doi:10.1016/j.bcp.2009.11.006
Reference: BCP 10378

To appear in: *BCP*

Received date: 4-9-2009
Revised date: 25-10-2009
Accepted date: 3-11-2009

Please cite this article as: Jugan M-L, Levi Y, Blondeau J-P, Endocrine disruptors and thyroid hormone physiology, *Biochemical Pharmacology* (2008), doi:10.1016/j.bcp.2009.11.006

This is a PDF file of an unedited manuscript that has been accepted for publication. As a service to our customers we are providing this early version of the manuscript. The manuscript will undergo copyediting, typesetting, and review of the resulting proof before it is published in its final form. Please note that during the production process errors may be discovered which could affect the content, and all legal disclaimers that apply to the journal pertain.



Endocrine disruptors and thyroid hormone physiology

Mary-Line Jugan^{a*}, Yves Levi^a, Jean-Paul Blondeau^b

^aUniv Paris-Sud 11, Faculté de Pharmacie, Laboratoire Santé Publique-
Environnement, 92290 Châtenay-Malabry, France

^bUniv Paris-Sud 11, Faculté de Pharmacie, CIBLOT platform, 92290 Châtenay-
Malabry, France

* Corresponding author at: Laboratoire Santé Publique-Environnement, Faculté de Pharmacie, rue J.B. Clément, 92290 Châtenay-Malabry, France.

Tel.: +33 146 835 857;

E-mail address: maryjugan@yahoo.fr (M.L. Jugan).

Abbreviations: T3, triiodothyronine; T4, thyroxine; TH, thyroid hormone; TSH, thyrotropin; CAR, constitutive androstane receptor; PPAR, peroxisome proliferator-activated receptors; PXR, pregnane X receptor; RXR, retinoid X receptor; TR, thyroid hormone receptor; N-CoR, nuclear corepressor; SRC, steroid receptor coactivator; SULT, sulfotransferase; UGT, glucuronosyltransferase; BBP, butylbenzyl phthalate; BPA, bisphenol-A; DBP, dibutylphthalate; DCHP, dicyclohexylphthalate; DEHP, di(2-ethylhexyl) phthalate; PBDE, polybrominated diphenyl ether; PCB, polychlorinated biphenyl; TBBPA, 3,3',5,5'-tetrabromobisphenol-A; TCBPA, 3,3',5,5'-tetrachlorobisphenol-A; TDC, thyroid disrupting chemical.

ABSTRACT

1
2
3 Endocrine disruptors are man-made chemicals that can disrupt the synthesis,
4 circulating levels, and peripheral action of hormones. The disruption of sex hormones
5 was subject of intensive research, but thyroid hormone synthesis and signaling are
6
7 now also recognized as important targets of endocrine disruptors. The neurological
8 development of mammals is largely dependent on normal thyroid hormone
9 homeostasis, and it is likely to be particularly sensitive to disruption of the thyroid
10 axis. Here, we survey the main thyroid-disrupting chemicals, such as polychlorinated
11 biphenyls, perchlorates, and brominated flame retardants, that are characteristic
12 disruptors of thyroid hormone homeostasis, and look at their suspected relationships
13 to impaired development of the human central nervous system. The review then
14 focuses on disrupting mechanisms known to be directly or indirectly related to the
15 transcriptional activity of the thyroid hormone receptors.
16
17
18
19
20
21
22
23
24
25
26
27
28
29
30
31
32
33
34
35
36

37 Keywords: thyroid disrupting-compounds, thyroid hormone receptors, polychlorinated
38 biphenyls, flame-retardants, neurodevelopment, endocrine disruptors
39
40
41
42
43
44
45
46
47
48
49
50
51
52
53
54
55
56
57
58
59
60
61
62
63
64
65

1. Introduction

1
2
3
4 The term endocrine disruptor is used to describe substances that can potentially
5 interfere with the endocrine system. In vivo and in vitro studies initially focused on
6 their estrogenic, anti-estrogenic or anti-androgenic effects on wildlife, experimental
7 animals, and humans, but more recently, their effects on thyroid signaling have also
8 received attention. The thyroid hormones (THs), thyroxine (T4) and triiodothyronine
9 (T3), are critical in regulating the growth and differentiation of many tissues and
10 organs, as well as energy homeostasis and numerous key metabolic pathways. THs
11 are known to play an important role in the perinatal development of the central
12 nervous system [1]. This means that disruption of the TH axis can cause severe
13 impairment, particularly of mammalian brain maturation, resulting in mental
14 retardation and neurological defects. There is currently considerable concern about a
15 potential relationship between the increasing prevalence of neurodevelopmental
16 disorders, and the almost exponential increase in exposure to pollutants over the
17 past fifty years. This relationship was discussed for the first time in 2004 by Colborn
18 [2], who highlighted the difficulty of establishing this causal link, and the need to
19 develop improved tools to detect and assess thyroid-disrupting chemicals (TDCs).
20 Since then, epidemiological data have accumulated, and many tools have been
21 developed to detect and elucidate the mechanism of action of TDCs. In this review,
22 we focus first on the main environmental chemicals known to disrupt TH physiology
23 in humans, and to a lesser extent in other species. We then concentrate on the
24 molecular mechanisms responsible for thyroid disruption, particularly those
25 implicating the thyroid hormone receptor related pathway.
26
27
28
29
30
31
32
33
34
35
36
37
38
39
40
41
42
43
44
45
46
47
48
49
50
51
52
53
54
55
56
57
58
59
60
61
62
63
64
65

2. Thyroid-disrupting chemicals

1
2
3
4
5 It is difficult to demonstrate any causal link between pre- or post-natal pollutant
6 exposure and developmental adverse effects in humans. Nevertheless, recent well-
7 designed cohort studies supported by laboratory animals and in-vitro research have
8 highlighted several classes of chemicals that are particularly suspected of exerting
9 adverse effects on the human thyroid axis. The four compounds selected in this
10 review had been suggested in recent publications as being suspected endocrine
11 disruptors. They also have been included in the priority list of chemicals established
12 by the European Union and US-EPA, within their strategies for endocrine disruptors
13 assessment [3-4].
14
15
16
17
18
19
20
21
22
23
24
25
26
27
28

2.1. Polychlorinated biphenyls

29
30
31
32
33
34
35 Polychlorinated biphenyls (PCBs) are an important group of persistent man-made
36 contaminants. Use of these compounds has been proscribed since the 1980s, but
37 PCBs are still frequently detected in human tissues, including breast milk, the
38 umbilical cord, and blood [5]. In terms of human health, pre- and post-natal
39 exposures to PCBs are often associated with mental retardation and neurological
40 defects in exposed children [6]. Several epidemiological studies have demonstrated
41 the existence of links between PCB exposure and neurodevelopment impairment
42 (Table I: 7-10;13). However, the statement concerning adverse effects of PCBs is
43 discordant (11-12).
44
45
46
47
48
49
50
51
52
53
54
55

56
57 Most of studies reported significant effects on children after a prenatal exposure
58 (Table I). Boucher et al. [14] recently published a meta-analysis, in which they
59
60
61
62
63
64
65

1 attempted to identify the cognitive functions that are particularly susceptible to
2 prenatal exposure to PCBs. They reported that the most consistent effects observed
3
4 in these studies are impaired executive functioning related to increased prenatal PCB
5
6 exposure. The other main adverse effects affect processing speed, verbal abilities,
7
8 and visual recognition memory, and are also often reported.
9

10
11 PCB levels detected in human blood nowadays are markedly lower than in the
12
13 1970s [15]. Interestingly, Wilhelm et al. [11] compared mental and motor
14
15 development in newborns from two cohorts with different prenatal exposure patterns
16
17 in the same geographic area. The Dusseldorf cohort study, carried out in the 1993-
18
19 2000 period, revealed an adverse impact of prenatal PCB exposure on the
20
21 neurodevelopment of children at the ages of 12 and 24 months. Another newborn
22
23 cohort study was initiated in 2000 in the industrial city of Duisburg, located 30 km
24
25 from Dusseldorf. This study demonstrated that prenatal exposure was about two- to
26
27 threefold lower than in Dusseldorf, and that prenatal PCB exposure did not impair
28
29 neurodevelopment in the children in the Duisburg cohort. The evidence suggests
30
31 that, in Germany, exposure to PCBs at current exposure levels apparently no longer
32
33 impairs neurodevelopment in children.
34
35
36
37
38
39
40

41 Reports of the adverse effects of PCBs in the context of postnatal exposure are
42
43 more inconsistent. A few authors have observed adverse effects due to lactational
44
45 exposure [7-8], whereas other studies have not confirmed this association ([9,11-
46
47 12]).
48
49
50

51 Furthermore, the mechanisms implicated in the adverse effects of PCBs on
52
53 neurodevelopment are not clear. Several authors have suspected that these effects
54
55 might be mediated by disruption of TH homeostasis [16]. Table II summarizes
56
57 various cohort studies in which PCB exposure was correlated to a disruption of
58
59
60
61
62
63
64
65

1 circulating levels of THs in humans. In several studies, environmental PCB levels
2 were shown to be associated with reduced TH levels [17-18, 20].
3

4
5 There are fewer reports of a positive correlation between PCBs and TH levels
6 [19, 21-22]. Dallaire et al. [21] have published an interesting study, in which PCB
7 exposure was evaluated in different matrices including maternal plasma during
8 pregnancy, the umbilical cord blood at birth, and the offspring's blood at 7 months.
9 Hydroxylated PCB (OH-PCB) concentrations were positively associated with T3
10 concentrations in the plasma of pregnant women, whereas PCB-153 concentrations
11 were inversely related to thyroxine-binding globulin levels in umbilical cord blood,
12 whereas no correlation was observed in children's blood at 7 months of age.
13 Potential thyroid toxicants did not have the same effects on TH homeostasis in
14 mothers and their infants. This study highlights the importance of taking different
15 exposure matrices into account, and of carrying out long-term follow-up
16 determinations at different ages.
17
18
19
20
21
22
23
24
25
26
27
28
29
30
31
32

33
34 Most of the cohort studies mentioned above deals with the association
35 between PCBs and motor/mental development, or between PCB and TH status.
36 However, little data is available that reports the correlation between all three
37 parameters (PCB, TH levels and neurodevelopment) in humans. As far as we are
38 aware, only one study has dealt with this association. The Duisburg birth cohort study
39 did not exhibit any correlation between these three parameters in human subjects
40 [12]. As mentioned above, the human biomonitoring results of this study underlines
41 that the PCB exposure has decreased compared to the exposure reported in the
42 cohort studies of the last 10–15 years. Therefore, no associations between
43 exposures, disruption of the levels of THs, and neurological and developmental
44 measures were observed. There is a real need to develop this kind of approach in
45
46
47
48
49
50
51
52
53
54
55
56
57
58
59
60
61
62
63
64
65

1 areas where the levels of exposure are higher, in order to provide stronger evidence
2 that thyroid dysfunction induced by PCBs can cause neurological abnormalities in
3 human. Moreover, it appears to be important to take into account potentially critical
4 toxicokinetic parameters, such as absorption, bioaccumulation, metabolism, and
5 excretion, in order to provide a better understanding of the relationship between PCB
6 exposure and adverse neurodevelopmental effects. It is also important to investigate
7 on the structure-activity relationship of PCBs, to determine the potential hazard of
8 existing and future synthetic chemicals for the developing brain. Differences in PCB
9 groups or congeners may explain the discrepancies that have been observed
10 between existing studies. Some clues have suggested that prenatal exposure to
11 dioxin-like PCBs is a cause for greater concern than non-dioxin like PCBs [13], and
12 that hydroxylated PCBs, which display a high degree of structural similarity to
13 thyroxin (T4), could be even more worrying.

14
15
16
17
18
19
20
21
22
23
24
25
26
27
28
29
30
31 Finally, these studies suggest that even at low levels of exposure, PCBs can
32 interfere with thyroid hormone levels, particularly tending to lower them. Most
33 physiologic functions, such as behaviour and processes involved in foetal
34 development, are supported by multiple endocrine axes that may communicate with
35 each other. Hence, even when a chemical affects a physiologic endpoint, it remains
36 difficult to prove that this effect results from disruption of a particular endocrine
37 system. Although consistent hypothyroid effects have been found in association with
38 PCB perinatal exposure, a causal link in neurodevelopmental dysfunction cannot be
39 unequivocally deduced from these human data. The hypothesis that neurotoxic effect
40 of PCBs on brain development is probably caused by hypothyroidism is predominant
41 in the literature, a theory that is strengthened by several in vivo experiments.
42
43
44
45
46
47
48
49
50
51
52
53
54
55
56
57
58 Interestingly, Goldey et al [23] showed that T4 replacement attenuated the
59
60
61
62
63
64
65

1
2
3
4
5
6
7
8
9
10
11
12
13
14
15
16
17
18
19
20
21
22
23
24
25
26
27
28
29
30
31
32
33
34
35
36
37
38
39
40
41
42
43
44
45
46
47
48
49
50
51
52
53
54
55
56
57
58
59
60
61
62
63
64
65

hypothyroxinemia, hearing loss and motor deficits due to developmental exposure of rats induced by a mixture of PCBs (Aroclor 1254). Indeed, several studies have established a causal relationship between PCB exposure and decreased T4 levels in rats [24] and monkeys [25].

2.2. Perchlorates

Perchlorates occur both naturally and through manufacturing, for use by the aerospace, weapons, and pharmaceutical industries. These compounds are extremely water-soluble, and have been detected in rain, snow, foodstuff, ground waters, and fertilizers. They have also been detected in U.S. drinking water supplies at levels ranging from 4 to 200 microg/liter [26]. Perchlorates are competitive inhibitors of iodide transport into thyroid follicular cells, and are established inhibitors of TH synthesis [27]. This property is the basis of its use in the diagnosis of TH synthesis dysfunction and the treatment of hyperthyroidism.

Whether circulating TH and TSH concentrations are influenced by perchlorate exposure is a matter of debate in the scientific literature. Blount et al. [28] established a relationship between the presence of perchlorates in blood and urine, and TSH (positive association) and total T4 (negative association) levels, particularly in women with a urinary iodide level < 100 µg/L. The authors pointed out that this group was more susceptible to the competitive inhibition of thyroid iodine uptake by perchlorates than women with urinary iodide > 100 µg/L, for whom no correlation was found between T4 level and perchlorate exposure. As the relationship between perchlorate exposure and T4 concentration can be modified by the individual iodide status, combined exposure to thiocyanates (in tobacco smoke) can also interfere with this

relationship [29].

1
2 In contrast, no such a correlation was established for men. This observation is in
3
4 line with other cohort studies [30-31]. For example, Lawrence et al. [30]
5
6 demonstrated the sensitivity of the thyroid iodide trap to perchlorate in nine healthy
7
8 men who were daily administered a dose of 10 mg perchlorate daily for 2 weeks, but
9
10 also found that circulating concentrations of TH and TSH were not affected.
11
12 Braverman et al. [32] observed that a 6-month exposure to perchlorate at doses up to
13
14 3 mg/day had no effect on thyroid function in 13 healthy volunteers. The parameters
15
16 studied were the inhibition of thyroid iodide uptake and the serum levels of thyroid
17
18 hormones, TSH, and thyroglobulin. High doses and long-term exposures have also
19
20 been investigated in the context of occupational exposure. Braverman et al. [33]
21
22 demonstrated that as a result of high absorption while exposed during three night's
23
24 work the iodide uptake was 38% lower than in unexposed workers. However, neither
25
26 serum TSH and thyroglobulin concentrations nor thyroid volume were affected by
27
28 perchlorates, suggesting that long-term exposure to high levels of perchlorates did
29
30 not induce hypothyroidism or goiters in adults.
31
32
33
34
35
36
37
38

39 Taken as whole, human studies tend to suggest that perchlorates exposure carries
40
41 little risk in healthy subjects. Women appear to be more sensitive than men, but the
42
43 reason for this difference is not clear. However, perchlorates are of concern in some
44
45 susceptible subjects, particularly people with iodide uptake abnormalities.
46
47 Experimental studies in animals provide stronger evidence that perchlorates could
48
49 interfere with thyroid homeostasis, and may have adverse effects on
50
51 neurodevelopment. Gilbert and Sui [34] recently reported the results of exposing
52
53 pregnant female rats to perchlorates in drinking water in order to evaluate neurologic
54
55 development in rat pups after in utero exposure. They found that the highest
56
57
58
59
60
61
62
63
64
65

1 exposure to perchlorate during development caused a reduction in T4 levels in pups
2 on post-natal day 21. For example, T4 was 16%, 28%, and 60% lower than control in
3
4 the 30-, 300-, and 1,000-ppm dose groups, respectively, and this reduction was
5
6 associated with an increase in TSH in the high-dose group. Whereas motor activity
7
8 and spatial learning were not impaired, developmental exposure to perchlorate
9
10 induced neurologic damage, as this compound did alter synaptic transmission in the
11
12 hippocampus of the adult rats. Nevertheless, rats were shown to be more sensitive to
13
14 perchlorates than any of the other tested species including humans, mice, and
15
16 rabbits. Furthermore, McNabb et al. [35] reported disruption of TH homeostasis in
17
18 birds exposed to perchlorates in drinking water. Birds exposed to low doses (5 mg/L
19
20 for 8 weeks) exhibited a decrease in serum T4 during the two first weeks of
21
22 exposure. Interestingly, T4 levels had recovered after an 8-week exposure. This
23
24 initial decrease was associated with an increase in TSH levels, suggesting that
25
26 compensatory mechanisms were at work. This adaptation is not observed in adult
27
28 birds. This study illustrates the complexity of assessing thyroid-disrupting chemicals,
29
30 as their effects depend on the duration and dose of the exposure, as well as on an
31
32 exposure window.
33
34
35
36
37
38
39
40
41
42

43 **2.3. Brominated flame retardants**

44
45
46
47 Polybrominated diphenyl ethers (PBDEs) are used as flame-retardants in
48
49 electronic equipment, textiles, and construction materials. Their structure,
50
51 persistence, and bioaccumulative properties are similar to those of the PCBs. Over
52
53 the last 20 years, human body burdens of PBDE have increased, whereas those of
54
55 PCBs have declined [15]. These compounds have been detected in many
56
57 environmental samples and in human blood [36].
58
59
60
61
62
63
64
65

1
2
3
4
5
6
7
8
9
10
11
12
13
14
15
16
17
18
19
20
21
22
23
24
25
26
27
28
29
30
31
32
33
34
35
36
37
38
39
40
41
42
43
44
45
46
47
48
49
50
51
52
53
54
55
56
57
58
59
60
61
62
63
64
65

The effects of PBDE on TH homeostasis have only been investigated in a few studies, as these compound are considered as emerging pollutants [37-38]. Two of these studies reported that PBDE exposure was associated with increased T4 levels [37, 38]. Julander et al. [37] reported a tendency for increased free plasma T4 in response to BDEs 28, 153, and 183 in electronic recycling employees. This association was also observed in men exposed to levels comparable to those confronting the general U.S. population, whose body burdens were consistently positively associated with their T4 level, including total T4, free T4, and urinary T4 [38]. This study, which is the only large study linking PBDE exposure to TH homeostasis, also demonstrated a negative association between PBDEs and T3 and TSH.

Although human health studies are very limited, PBDEs are of concern because in vivo studies demonstrate endocrine adverse effects. Biological adverse effects in animals seem to be similar to those of PCBs. Decreased T4 levels have been reported in birds, *Xenopus laevis*, fishes, and rodents [39-42]. Perinatal exposure of rodents to PBDEs has been shown to cause long-lasting changes in motor activity, usually described as hyperactivity, and to disrupt performance in learning and memory tests [43]. There is a lack of reliable human data that could be used to support these conjectures extrapolated from animal studies. As PBDEs are classified as emergent pollutants, it appears to be essential to deal with the possible effects of human PBDE exposure for future use.

2.4. Phthalates

Phthalates are man-made chemicals used to improve the flexibility of plastics. They have been used in various products, such as toys, medical tubing, plastic

1 bottles, packing cases, and cosmetics. European production of phthalates has
2 recently been documented and is approx. one million tons per year [44]. Animal
3 studies have shown that some phthalates, for example dibutylphthalates or di(2-
4 ethylhexyl)phthalates, cause adverse male reproductive health outcomes [45].
5
6
7

8
9 Phthalates have no intrinsic anti-thyroid activity in humans, but a by-product
10 generated by gram-negative bacteria is an inhibitor of thyroperoxidase, an enzyme
11 strongly involved in TH synthesis. This mechanism probably explains the relationship
12 between phthalate exposure via drinking water and the prevalence of goiters
13 reported by Gaitan et al. [46]. A limited number of studies suggests that exposure to
14 some phthalates may be associated with altered thyroid function, but human data
15 remains insufficient. To the best of our knowledge, only two studies have investigated
16 the association between environmental exposures to phthalates and serum thyroid
17 hormone and TSH levels in humans. These studies both show that urinary levels of
18 phthalates may be associated with altered free T4 and/or total T3 levels in adult men
19 and pregnant women [47-48]. These studies highlight the need for additional
20 research to confirm these findings. To our knowledge, no data on the consequences
21 of animal exposure on thyroid functions and neurodevelopment is available.
22
23
24
25
26
27
28
29
30
31
32
33
34
35
36
37
38
39
40
41
42

43 To conclude, it is suspected that several groups of pollutants may disturb TH
44 homeostasis. PCBs, perchlorates, and PBDEs are of particular concern, and
45 illustrate the concerns related to establishing cause and effect relationships between
46 environmental chemical exposure and biological hazards at the population scale. The
47 disruption of TH homeostasis by xenobiotics often results in equivocal findings.
48 Numerous hypotheses could account for these discrepancies, including the biological
49 matrices used to characterize the exposure (blood, plasma, breast milk, placenta...),
50
51
52
53
54
55
56
57
58
59
60
61
62
63
64
65

1 and the contaminants that were measured (chemicals or metabolites). Concomitant
2 exposure to other pollutants, crosstalk with other endocrine systems, and urinary
3 iodine concentrations influences are not often taken into account, whereas these
4 three parameters are of considerable importance. Considering the numerous
5 evidence of TH disruption by pollutants in humans, and of adverse effects in animals,
6 it is clearly important to carry out more well-designed human studies to confirm this
7 cause-effect relationship, and to determine the risk of neurodevelopmental effects at
8 current levels of exposure. There is an abundant literature on the mechanisms of
9 action of TDCs. This subject is developed in the following section.
10
11
12
13
14
15
16
17
18
19
20
21
22
23

24 **3. Mechanisms of action of TDCs**

25
26
27
28
29 A major difficulty in studying thyroid disruption is the complexity of the
30 mechanisms of action involved. The TH axis is rather complex, and thyroid-disrupting
31 chemicals can target the thyroid endocrine cascade at various levels, including that
32 of the synthesis of THs by the thyroid gland and its regulation by hypothalamic-
33 pituitary hormones, the catabolism and clearance of circulating THs by the liver and
34 kidneys, the binding to transport proteins in the circulation, the cellular uptake of THs,
35 the peripheral activating/inactivating metabolism of THs by iodothyronine
36 deiodinases, the transcriptional activity of TH receptors (TRs) and the expression of
37 TH-regulated genes (fig. 1).
38
39
40
41
42
43
44
45
46
47
48
49

50
51 We reported in the previous section that TDCs are usually identified by their
52 potential to affect circulating TH levels. Subsequently, attention has focused mainly
53 on the aspects directly related to the effect of toxicants on hormone levels, e.g.
54 thyroid histology, TH synthesis, transport in the blood, and catabolism. However, it is
55
56
57
58
59
60
61
62
63
64
65

1
2
3
4
5
6
7
8
9
10
11
12
13
14
15
16
17
18
19
20
21
22
23
24
25
26
27
28
29
30
31
32
33
34
35
36
37
38
39
40
41
42
43
44
45
46
47
48
49
50
51
52
53
54
55
56
57
58
59
60
61
62
63
64
65

now increasingly recognized that various chemicals can produce effects on TRs, and on their transcriptional activity [49]. Thus, it is conceivable that a TR-disrupting chemical exerts effects that mimic the action of THs or of TH insufficiency, in particular on brain development.

In fact, the THs influence a broad range of developmental processes during brain maturation, including the differentiation and migration of neural and glial cells, and myelinization. Several of the genes involved in these processes have been identified as being regulated by THs [50]. Gene regulation by THs in the brain displays strict temporal and regional specificity [1]. Disruption of transcriptional processes by exogenous chemicals can influence the sequence of TH-sensitive developmental events and lead to adverse effects. Investigations of TDC mechanisms that could involve non TR-related mechanisms are abundantly documented [51], and so we will now focus on TR-related mechanisms in the actions of pollutants.

3.1. Mechanisms of action of THs and potential transcriptional targets of TDCs.

T4 is synthesized in the thyroid gland and is less metabolically active than T3, which is formed in the thyroid gland and in peripheral tissues by specific enzymatic deiodination of T4. The biological actions of THs are driven by the binding of T3 to nuclear thyroid hormone receptors (TRs). These TRs are products of two genes that encode three major functional TR isoforms in humans: TR α 1, TR β 1, TR β 2. TR α 1 and TR β 1 are expressed in almost all tissues [52]. However, these two main isoforms have differing spatial and temporal expressions and are also differentially expressed during development. TR α is particularly abundant in the brain, heart, and immune

1 system, whereas TR β 1 is particularly expressed in the brain, liver, and kidney. The
2 TRs belong to the nuclear receptor superfamily of ligand-inducible transcription
3 factors. TRs form homodimers and also heterodimers with other nuclear receptors, in
4 particular with the retinoid X receptor (RXR) [53]. These active forms bind to thyroid
5 hormone response elements (TRE), which are usually located in the regulatory
6 regions of target genes on nuclear DNA, and control transcription by interacting with
7 coactivators and corepressors. TRs can be either T3-dependent or T3-independent
8 transcription factors, depending on their interaction with transcriptional cofactors [54].
9 When unoccupied by T3, the TRs recruit basal repressors, such as the silencing
10 mediator of the retinoid and thyroid hormone receptor (SMRT) and the nuclear
11 receptor corepressor (NCoR). These cofactors allow the additional recruitment of
12 histone deacetylases, which remodel the structure of chromatin, and induce the
13 repression of target genes at lower levels than in the absence of the receptor, a
14 status known as "basal repression" or "silencing". Conversely, T3 binding to the TRs
15 induces conformational changes that result in corepressor release, and subsequent
16 coactivator recruitment. These coactivators, such as those of the p160/SRC (steroid
17 receptor coactivator) family, have inherent histone acetylase activity and initiate a
18 molecular cascade that culminates in the activation of target gene transcription.
19

20 Environmental chemicals may target this TH-related transcriptional process at
21 various levels (fig.2). In the last years, the number of published cellular assays
22 dedicated to the detection of TDCs has increased considerably. Indeed,
23 transactivation and proliferation assays are viewed as useful tools that can be used
24 as a quick way to detect disrupting chemicals with thyromimetic or TH-antagonistic
25 activities in environmental samples. Among the few standardized and validated tools
26 that have been developed, the "T-screen" has been widely used [55]. This assay is
27

1 based on the TH-dependent proliferation of rat pituitary cells GH3. Transactivation
2 tests have also been used to study the TR-mediated effects of TDCs. These tests are
3
4 based on a luciferase reporter gene controlled by T3-responsive elements. To be a
5
6 useful reporter gene for identifying and quantifying TDCs, a gene must satisfy several
7
8 requirements, e.g. it must be stably transfected with the reporter system and display
9
10 high sensitivity and low variability. Two stably-transfected luciferase reporter gene
11
12 assays appear to be valuable tools with which to study chemical interference with the
13
14 $TR\alpha1$ - and $TR\beta1$ -signaling pathways [56,57]. Although cellular tests do not provide
15
16 any precise information about the specific molecular targets of pollutants in the TH-
17
18 dependent transcriptional process, they do make it possible to discriminate between
19
20 agonists, partial agonists and antagonists of the TR. Indeed, cellular tests can be
21
22 performed both in the absence and presence of T3 in order to assess independently
23
24 the agonistic and antagonistic effects of a chemical, respectively.
25
26
27
28
29
30
31
32
33

34 **3.2. Are TDCs transcriptional effects mediated by the ligand-binding site of** 35 36 **TRs?**

37
38 A few environmental chemicals have been shown to bind to TRs, and to modulate
39
40 its activity. Kojima et al. [58] compared the TH-agonist and -antagonist activities of
41
42 the main PBDE congeners and their hydroxylated metabolites, using CHO cells
43
44 transiently transfected with $TR\alpha1$ or $TR\beta1$ expression plasmids, and a luciferase
45
46 gene controlled by a T3-responsive element. Among the 16 compounds tested, only
47
48 4-OH-BDE-90 displayed a weak effect in the cellular test. They found that a higher
49
50 concentration (10^{-5} M) of 4-OH-BDE-90 significantly inhibited both the $TR\alpha1$ - and
51
52 $TR\beta1$ -mediated transcriptional activity induced by T3, whereas its corresponding
53
54 metabolites did not. Moreover, none of the PBDEs tested showed any agonistic
55
56
57
58
59
60
61
62
63
64
65

1 activity. Kitamura et al. [59] also demonstrated that four OH-PCB congeners (4-OH-
2 2,2',3,4',5,5'-HxCB ; 4-OH-3,3',4',5-TCB ; 4,4'-diOH-3,3',5,5'-TCB) activated T3-
3 induced GH3-cell proliferation in the same range of concentrations. These studies
4 suggested that the antagonist activity of OH-PBDE could be due to the 4-OH-PBDE
5 binding to the rat TR. Indeed, Kitamura et al. [60] reported that OH-PBDE was bound
6 to the rat TR. 4-OH-BDE-90 and 3-OH-BDE-47, like pentabromophenol, inhibited the
7 binding of T3 in the concentration range of 10^{-6} M to 10^{-4} M. High binding affinity was
8 observed, particularly for 3- and 4- hydroxylated PBDEs with bromine substitutions at
9 both positions adjacent to the hydroxyl group. This structural factor seems to be a
10 good predictor of a competitive inhibition mechanism, which could explain, at least
11 partially, the antagonistic activity of OH-PBDEs at the TR. Finally, it has been
12 reported that environmental chemicals can selectively discriminate between TR α and
13 TR β [61].

14 In view of the structural resemblances between PCBs (and PBDEs) with thyroid
15 hormones, the affinity of these chemicals for the TR has especially been
16 investigated. Using a competitive binding assay, Kitamura et al. [59] reported that
17 nine OH-PCBs, which have been detected as metabolites of PCBs in animals and
18 humans, markedly inhibited the binding of T3 to the rat pituitary TR in the
19 concentration range of 10^{-6} M to 10^{-4} M. In contrast, Cheek et al. [62] reported that
20 human recombinant TR β showed low affinity of for OH-PCB, which was 10,000-fold
21 lower than its affinity for THs. Moreover, Fritsche et al. [63] used a model of normal
22 primary human neural progenitor cells to find out whether PCBs interfere with TH-
23 dependent neural differentiation. They identified one PCB (PCB-118), known to be a
24 common contaminant of the human population, as being able to mimic the capacity
25 of T3 to induce differentiation of neural progenitors cells. This effect was dose-
26
27
28
29
30
31
32
33
34
35
36
37
38
39
40
41
42
43
44
45
46
47
48
49
50
51
52
53
54
55
56
57
58
59
60
61
62
63
64
65

1
2
3
4
5
6
7
8
9
10
11
12
13
14
15
16
17
18
19
20
21
22
23
24
25
26
27
28
29
30
31
32
33
34
35
36
37
38
39
40
41
42
43
44
45
46
47
48
49
50
51
52
53
54
55
56
57
58
59
60
61
62
63
64
65

dependent between 0.01 and 0.1 microM, and was congener specific. Interestingly, PCB-118 activity was blocked by the TR antagonist NH-3, which indicated that this environmental compound mimicked the action of T3 by interacting with T3-binding site of the TR. The question of PCB structural factors that could preferentially have affinity for TR has also been studied by Arulmozhiraja et al. [64], who did not identify any significant correlation among the 91 PCBs tested. Gauger et al. [65] also showed that a large variety of PCBs, and their metabolites, did not competitively bind to TR.

To date few studies have investigated the effects of phthalates on the action of TH. The possible disruption of TH-related transcription by phthalates mediated by binding to TRs was mentioned by Ghisari et al. [66]. They used the T-screen to analyze a large range of widely-used plasticizers, including phthalates and phenols, and found that all the compounds tested stimulated GH3 cell proliferation. Moreover di(2-ethylhexyl) phthalate (DEHP), dibutylphthalate (DBP), dioctylphthalate and diisononyl phthalate all inhibited T3-induced cell growth. Unlike to other phthalates used in this study, DEHP was also shown to interfere with the binding of T3 to TR [67]. This compound could therefore compete with T3 binding to TR. Nevertheless, the antagonistic effects of other compounds remain unclear.

Environmental chemicals, particularly PBDEs, have been reported to bind directly to TRs [60]. As mentioned in the first section, most studies have investigated the effect of pollutants on TH circulating levels. Nevertheless, the impact of TDCs on ligand binding to the TR should not be underestimated, and is likely to produce adverse effects on the developing brain. However, their affinity is typically low, and alternative mechanisms of action may be involved in the disruption of TR activity.

3.3. Disruption at other levels of the transcriptional process

As described above, some thyroid-disrupting compounds mimic or antagonize the effect of T3 on the up-regulation of TH target genes. As only few compounds exhibit any affinity for TR, it is very likely that other mechanisms underlie the disruption of transcription. Several studies highlight the possibility that some TDCs may interfere with a process or several processes within peripheral target cells other than T3-binding to TR in the T3-signaling pathway. For example, using a stable reporter gene assay, Jugan et al. [57] reported that several halogenated phenolic compounds (3,3',5,5'-tetrabromobisphenol-A (TBBPA) and 3,3',5,5'-tetrachlorobisphenol A (TCBPA)) could mimic the ability of T3 to induce TR α 1-dependent transcription, at micromolar concentrations. When added together with T3, TBBPA and TCBPA both behaved as inhibitors of T3-stimulated transcription. Interestingly, this inhibition was partially counteracted for TBBPA and TCBPA by an excess of T3, suggesting a partially competitive mechanism, which would be consistent with these compounds' having a weak affinity for TR [68]. However, non-competitive mechanisms are also implicated. The reporter gene assay was not able to specify the molecular mechanisms involved.

Furthermore, studies reported the potential of chemicals to mimic T3 activity on TR, without necessarily bind TR. TDCs could potentially exert their effects by promoting the recruitment of coactivators by TRs, or by inhibiting the process induced by T3. Furthermore, detailed kinetic studies, using the reporter gene technology, have suggested that some compounds, such as TBBPA, may induce corepressor release but not coactivator recruitment by TR α , resulting in the removal of reporter gene silencing (fig. 2). This pattern of cofactor disruption is reminiscent of

1 that of NH-3, a synthetic selective TR β 1 antagonist that inhibits TH action both in vivo
2 and in vitro [69]. In fact, NH-3 inhibits both coactivator and corepressor binding, and
3
4 appears to be an agonist in terms of corepressor release, and an antagonist in terms
5
6 of coactivator binding. A few studies have reported that TDCs might disrupt the
7
8 function of cofactors. In a transient reporter gene assay, Moriyama et al. [70]
9
10 demonstrated that bisphenol-A (BPA), a chemical widely used in the production of
11
12 plastics, suppressed TR-mediated transcription. They combined binding experiments
13
14 and mammalian two-hybrid assays to demonstrate that BPA could impair TH action
15
16 both by inhibiting T3 binding to TR and by recruiting the nuclear corepressor N-CoR
17
18 to the TR, resulting in the repression of transcription. More recently, these authors
19
20 have used the same approach with cellular and biochemical models to demonstrate
21
22 that the anti-thyroid drugs methimazole and propylthiouracil significantly suppressed
23
24 transcriptional activities mediated by TR. These compounds inhibit the action of T3
25
26 by enhancing the recruitment of transcriptional corepressors and/or the dissociation
27
28 of coactivators [71]. Moreover, Iwasaki et al. [72] showed that 4-OH-PCB was able to
29
30 suppress TR/coactivator (SRC-1) complex-mediated transactivation, and that this
31
32 mechanism could explain the suppression of TR-mediated transcription in the
33
34 presence of OH-PCB in simian kidney cells.
35
36
37
38
39
40
41
42
43

44 Such disrupting mechanisms could have biological implications, since a significant
45
46 proportion of TRs are in the unliganded state at physiological concentrations of THs
47
48 (euthyroid state), depending on the tissues concerned. Thus, about half of the TRs
49
50 are in the unliganded state in the liver [73], and therefore the level of expression of
51
52 regulated genes could be the result of silencing by apo-TRs and the stimulation of
53
54 transcription by holo-TRs [74]. Moreover, unliganded TRs are predominant during the
55
56 early stages of development in amphibians as well as in mammals, where they are
57
58
59
60
61
62
63
64
65

1 thought to exert important developmental functions before the onset of thyroid
2 activity. Recent data have suggested that the apo-receptor is physiologically
3 important during the early stages of development by maintaining some genes
4 repressed until their induction by THs [1].
5
6
7
8

9 An additional level of complexity in the impact of endocrine disruptors on TH
10 mechanisms of action is related to the down-regulation of a number of genes by
11 liganded TRs [75]. This is exemplified by the down-regulation of TSH and thyrotropin-
12 releasing hormone gene transcription by T3, which is responsible for the negative
13 feedback exerted by THs on the hypothalamic-pituitary-thyroid axis, and is mediated
14 by the β -isoforms of the TR. In a puzzling way, transcriptional corepressors increase
15 the transcription of these genes [76], whereas transcriptional coactivators may have
16 a role in their T3-dependent repression [77]. Thyroid-disrupting compounds are
17 potentially capable of positive or negative interference in each of these
18 circumstances, but the biological effects in a given tissue will be the resultant of a
19 large number of factors, including the concentration of intracellular T3, the number of
20 TRs, the availability of transcriptional corepressors and coactivators, and the mode of
21 regulation of relevant target genes. It is essential to explore such potential
22 mechanisms of action of TDCs.
23
24
25
26
27
28
29
30
31
32
33
34
35
36
37
38
39
40
41
42
43

44 Other potential mechanisms of action may involve crosstalk with other nuclear
45 receptors. One study has demonstrated that PCB-OH can partially dissociate the
46 heterodimer RXR/TR from T3-responsive element, a mechanism that could be
47 involved in the suppression of transcription induced by PCB [78]. No other study has
48 investigated this potential target of TDCs. RXR was reported to be a “silent partner”
49 in the context of its heterodimerization with TR, unable to bind its ligand, 9-cis-
50 retinoic acid, but more recent studies suggest that this retinoid may mediate the
51
52
53
54
55
56
57
58
59
60
61
62
63
64
65

1 stimulation of transcription by the TR-RXR heterodimer [79]. Therefore, in the context
2 of its heterodimerization with TRs, RXR might be a target of TDCs, but this point has
3 not yet been experimentally documented. It has been shown that peroxisome
4 proliferator-activated receptors (PPARs), which form active heterodimers with RXR,
5 may inhibit the transcriptional activity of TRs by competing for RXR, and
6 consequently disrupting TR-RXR heterodimers [80]. The transcriptional activators of
7 the SRC family are also shared by TR and PPARs [81]. Therefore chemicals such as
8 phthalates, which are recognized PPAR disruptors [82], might indirectly alter TR
9 transcriptional activity. Constitutive androstane receptor (CAR) and pregnane X
10 receptor (PXR), which are both members of the nuclear receptor family, are activated
11 by a large panel of xenobiotics, including endocrine disruptors, and induce the
12 expression of drug transporters and xenobiotic metabolizing enzymes, including
13 UDP-glucuronosyltransferases (UGTs) and sulfotransferases (SULTs). Hepatic
14 SULTs and UGTs are involved in eliminating THs: the inactive glucuronide and
15 sulfate derivatives of THs are eliminated in the urine and bile. Furthermore, T4
16 sulfate is a considerably better substrate than T4 for inner ring deiodination by liver
17 type-I deiodinase [83], producing reverse T3, a biologically inactive metabolite of T4.
18 CAR was shown to mediate the induction of several isoforms of UGTs and SULTs
19 involved in glucuronidation and sulfation of THs [84]. Accordingly, Qatanani et al. [85]
20 showed that CAR was required for the phenobarbital-mediated decrease in serum T4
21 concentration and the concomitant increase in serum TSH levels. Accordingly,
22 treatment with CAR agonists resulted in disruption of TH homeostasis and induction
23 of thyroid follicular cell proliferation. Therefore, CAR/PXR activation by xenobiotics
24 could indirectly result in disruption of TR activity.

25
26
27
28
29
30
31
32
33
34
35
36
37
38
39
40
41
42
43
44
45
46
47
48
49
50
51
52
53
54
55
56
57
58
59
60
61
62
63
64
65
Some chemicals can also disrupt the expression of TRs. Sugiyama et al. [86]

1 developed a stably-transfected luciferase reporter gene assay to study interference
2 with the TR β 1-signaling pathway by chemicals. Three types of phthalates, n-
3 butylbenzyl phthalate (BBP), di-n-butyl phthalate and dicyclohexylphthalates
4 (DCHPs), were reported to exhibit T3-antagonistic activity, at concentrations ranging
5 from 10⁻⁶ M to 10⁻⁵ M. The authors noticed that in the absence of TDCs and the
6 presence of T3, the amount of endogenous TR β transcripts increased 13.3 fold in *X.*
7 *laevis* cells. Interestingly, this T3-dependent activation was significantly inhibited by
8 phthalates. The percentages of inhibition were 32% for DBP, 42% for DCHP, and
9 more than 50% for BBP. Such an effect was also observed when tails of *X. laevis*
10 tadpole in culture were exposed to bisphenol A at the concentration of 10⁻⁷ M. BPA
11 was shown to block T3-induced tail resorption in a concentration-dependent manner.
12 Analysis by semi-quantitative RT-PCR demonstrated that BPA reduced TR α and
13 TR β mRNAs levels, and also moderately suppressed RXR gene expression [87]. As
14 far as we are aware, all the existing studies of this disruption have been carried using
15 tadpole models, which makes it difficult to extrapolate the physiological
16 consequences that may occur in humans.
17
18
19
20
21
22
23
24
25
26
27
28
29
30
31
32
33
34
35
36
37
38
39
40
41
42
43

44 **4. Conclusions**

45
46 Thyroid hormones are strongly involved in vertebrate brain development, from
47 early embryogenesis to subsequent prenatal and perinatal development in mammals.
48
49 The disruption of TH signaling in the developing human brain, may alter the process
50 of neural differentiation and potentially account for the observation that exposure to
51 TDCs is linked to cognitive deficits in humans. From this point of view, TDCs are of
52 major concern for public health issues.
53
54
55
56
57
58
59
60
61
62
63
64
65

1
2
3
4
5
6
7
8
9
10
11
12
13
14
15
16
17
18
19
20
21
22
23
24
25
26
27
28
29
30
31
32
33
Several epidemiological data have indicated that pollutant exposure might lead to impaired developmental processes, which could be associated with the homeostasis and action of TH. The mechanisms of action of TDCs are complex and, although TR-independent mechanisms have been elucidated, there is a lack of data about TR-related mechanisms. A few compounds are known to have a direct affinity for TRs, whereas others are able to activate receptor-dependent transcription of TH target genes by modulating upstream signaling without binding to the T3 binding site of TRs. TDCs could exert transcriptional effects by disrupting the recruitment/release of coactivators by TRs, by interfering with the expression of TR and their heterodimerization partner, or by interfering with the affinity between TR and TRE. All these potential targets need to be investigated further, as do their physiological consequences. It is clear that TR-disruption by chemicals may interfere with physiological mechanisms that are reported to be important for normal development in amphibians and mammals.

34
35
36
37
38
39
40
41
42
43
44
45
46
47
48
49
50
51
52
53
54
55
56
57
58
59
60
61
62
63
64
65
Furthermore, several parameters considerably complicate the assessment of TDCs. The multiplicity of targets and the demonstration that many targets can be disrupted at the same time make it difficult to interpret results. On top of that, TDCs can also interfere with cellular processes that affect several different hormone-signaling pathways. The crosstalk between signaling pathways of different nuclear receptors is something that must be seriously considered in the future. Finally, although the effects of TDC are often less potent than those of TH, it is also important to keep in mind that humans are continuously exposed to a multitude of pollutants which can act together, and lead to effects that are different from those of the individual pollutants [88].

1 Due to the lack of available data, current concerns about the possible involvement
2 of TDCs in the increased incidence of developmental diseases remain hypothetical.
3
4 This review highlights the critical need to develop quick and robust tools to identify
5 TDCs, and their multiple mechanisms of action, taking into account all the potential
6 targets in the effects on TH transcription. A better understanding of the mechanisms
7 underlying TR-related disruption may lead to changes in public policy and
8 awareness, and make it possible to limit adverse outcomes for future generations.
9
10
11
12
13
14
15
16
17
18

19 REFERENCES

- 20
21
22 [1] Bernal J. Thyroid hormone receptors in brain development and function. *Nat Clin*
23 *Pract Endocrinol Metab* 2007;3:249-259.
24
25 [2] Colborn, T. Neurodevelopment and endocrine disruption. *Environ Health Perspect*
26 2004;112:944-949.
27
28 [3] US environmental Protection Agency, online, URL:
29 http://www.epa.gov/endo/pubs/prioritysetting/final_listfacts.htm
30
31
32 [4] European commission, online, URL:
33 http://ec.europa.eu/environment/endocrine/strategy/substances_en.htm#priority_list
34
35
36 [5] Beyer A, Biziuk M. Environmental fate and global distribution of polychlorinated
37 biphenyls. *Rev Environ Contam Toxicol*. 2009;201:137-58.
38
39 [6] Darras VM. Endocrine disrupting polyhalogenated organic pollutants interfere with
40 thyroid hormone signaling in the developing brain. *Cerebellum* 2008;7:26-37.
41
42 [7] Walkowiak J, Wiener JA, Fastabend A, Heinzow B, Krämer U, Schmidt E, et al.
43 Environmental exposure to polychlorinated biphenyls and quality of the home
44 environment: effects on psychodevelopment in early childhood. *Lancet*
45 2001;358:1602-1607.
46
47 [8] Vreugdenhil HJ, Mulder PG, Emmen HH, Weisglas-Kuperus N. Effects of
48 perinatal exposure to PCBs on neuropsychological functions in the Rotterdam cohort
49 at 9 years of age *Neuropsychology* 2004;18:185-193.
50
51 [9] Jacobson JL, Jacobson SW. Prenatal exposure to polychlorinated biphenyls and
52 attention at school age. *J Pediatr* 2003;143:780-788.
53
54 [10] Sagiv SK, Nugent JK, Brazelton TB, Choi AL, Tolbert PE, Altshul LM et al.
55 *Environ Health Perspect* 2008;116(5):666-73.
56
57
58
59
60
61
62
63
64
65

1 [11] Wilhelm M, Ranft U, Krämer U, Wittsiepe J, Lemm F, Fürst P, et al. Lack of
2 neurodevelopmental adversity by prenatal exposure of infants to current lowered
3 PCB levels: comparison of two German birth cohort studies. *J Toxicol Environ Health*
4 *A* 2008;71:700-702.
5

6
7 [12] Wilhelm M, Wittsiepe J, Lemm F, Ranft U, Krämer U, Fürst P, et al. The
8 Duisburg birth cohort study: influence of the prenatal exposure to PCDD/Fs and
9 dioxin-like PCBs on thyroid hormone status in newborns and neurodevelopment of
10 infants until the age of 24 months. *Mutat Res* 2008;659:83-92.
11

12
13 [13] Park HY, Hertz-Picciotto I, Sovcikova E, Kocan A, Trnovec T.
14 Neurodevelopmental toxicity of prenatal polychlorinated biphenyls (PCBs) by
15 chemical structure and activity in a birth cohort. *Neurotoxicology* 2009; In press.
16

17
18 [14] Boucher O, Muckle G, Bastien CH. Prenatal exposure to polychlorinated
19 biphenyls: a neuropsychologic analysis. *Environ Health Perspect* 2009;117:7-16.
20

21
22 [15] Schecter A, Papke O, Tung KC, Joseph J, Harris TR, Dahlgren J.
23 Polybrominated diphenyl ether flame retardants in the U.S. population: current levels,
24 temporal trends, and comparison with dioxins, dibenzofurans, and polychlorinated
25 biphenyls. *J Occup Environ Med* 2005;47:199-211.
26

27
28 [16] Salay E, Garabrant D. Polychlorinated biphenyls and thyroid hormones in adults:
29 a systematic review appraisal of epidemiological studies. *Chemosphere*
30 2009;74:1413-1419.
31

32
33 [17] Takser L, Mergler D, Baldwin M, de Grosbois S, Smargiassi A, Lafond J. Thyroid
34 hormones in pregnancy in relation to environmental exposure to organochlorine
35 compounds and mercury. *Environ Health Perspect* 2005;113:1039-1045.
36

37
38 [18] Turyk ME, Anderson HA, Freels S, Chatterton R Jr, Needham LL, Patterson DG
39 Jr et al. Associations of organochlorines with endogenous hormones in male Great
40 Lakes fish consumers and nonconsumers. *Environ Res* 2006;102:299-307.
41

42
43 [19] Langer P, Kocan A, Tajtáková M, Koska J, Rádiková Z, Ksinantová L et al.,
44 Increased thyroid volume, prevalence of thyroid antibodies and impaired fasting
45 glucose in young adults from organochlorine cocktail polluted area: outcome of
46 transgenerational transmission? *Chemosphere* 70;110-118.
47

48
49 [20] Schell LM, Gallo MV, Denham M, Ravenscroft J, DeCaprio AP, Carpenter DO.
50 Relationship of thyroid hormone levels to levels of polychlorinated biphenyls, lead,
51 p,p'- DDE, and other toxicants in Akwesasne Mohawk youth. *Environ Health*
52 *Perspect* 2008;116:806-813.
53

54
55 [21] Dallaire R, Muckle G, Dewailly E, Jacobson SW, Jacobson JL, Sandanger TM,
56 et al. Thyroid Hormone Levels of Pregnant Inuit Women and Their Infants Exposed to
57 Environmental Contaminants. *Environ Health Perspect* 2009;117:1014-1020.
58
59
60
61
62
63
64
65

1 [22] Bloom MS, Vena JE, Olson JR, Kostyniak PJ. Assessment of polychlorinated
2 biphenyl congeners, thyroid stimulating hormone, and free thyroxine among New
3 York State anglers. *Int J Hyg Environ Health* 2009; in press.

4 [23] Goldey ES, Kehn LS, Lau C, Rehnberg GL, Crofton KM. Developmental
5 exposure to polychlorinated biphenyls (Aroclor 1254) reduces circulating thyroid
6 hormone concentrations and causes hearing deficits in rats. *Toxicol Appl Pharmacol*
7 1995;135:77-88.

8 [24] Donahue DA, Dougherty EJ, Meserve L.A. Influence of a combination of two
9 tetrachlorobiphenyl congeners (PCB 47; PCB 77) on thyroid status, choline
10 acetyltransferase (ChAT) activity, and short- and long-term memory in 30-day-old
11 Sprague-Dawley rats. *Toxicology* 2004;203:99-107.

12 [25] van den Berg KJ,. Interaction of chlorinated phenols with thyroxine binding sites
13 of human transthyretin, albumin and thyroid binding globulin. *Chem Biol Interact*
14 1990;76:63-75.

15 [26] Dasgupta PK, Martinelango PK, Jackson WA, Anderson TA, Tian K, Tock RW,
16 et al. The origin of naturally occurring perchlorate: the role of atmospheric processes.
17 *Environ Sci Technol* 2005;39:1569-1575.

18 [27] Clewell RA, Merrill EA, Narayanan L, Gearhart JM, Robinson, PJ. Evidence for
19 competitive inhibition of iodide uptake by perchlorate and translocation of perchlorate
20 into the thyroid. *Int J Toxicol* 2004;23:17-23.

21 [28] Blount BC, Valentin-Blasini L, Osterloh JD, Mauldin JP, Pirkle JL. Perchlorate
22 exposure of the US Population, 2001-2002. *J Expo Sci Environ Epidemiol*
23 2007;17:400-407.

24 [29] Steinmaus C, Miller MD, Howd R. Impact of smoking and Thyroid-disrupting
25 chemicals: interpreting upstream biomarkers thiocyanate on perchlorate and thyroid
26 hormone associations in the 2001–2002 National Health and Nutrition Examination
27 Survey. *Environ Health Perspect* 2007;115:1333–1338.

28 [30] Lawrence JE, Lamm SH, Pino S, Richman K, Braverman LE. The effect of short-
29 term low-dose perchlorate on various aspects of thyroid function. *Thyroid*
30 2000;10:659-63.

31 [31] Kelsh MA, Buffler PA, Daaboul JJ, Rutherford GW, Lau EC, Barnard JC, et al.
32 Primary congenital hypothyroidism, newborn thyroid function, and environmental
33 perchlorate exposure among residents of a southern California community. *J Occup*
34 *Environ Med* 2003;45:1116–1127.

35 [32] Braverman LE, Pearce EN, He X, Pino S, Seeley M, Beck B, et al. Effects of six
36 months of daily low-dose perchlorate exposure on thyroid function in healthy
37 volunteers. *J Clin Endocrinol Metab* 2006;91:2721-2724.

1 [33] Braverman LE, He X, Pino S, Cross M, Magnani B, Lamm SH, et al. The effect
2 of perchlorate, thiocyanate, and nitrate on thyroid function in workers exposed to
3 perchlorate long-term. *J Clin Endocrinol Metab.* 2005;90:700-6.

4 [34] Gilbert ME, Sui L. Developmental exposure to perchlorate alters synaptic
5 transmission in hippocampus of the adult rat. *Environ Health Perspect* 2008;116:752-
6 60.

7 [35] McNabb FM, Jang DA, Larsen CT, Does thyroid function in developing birds
8 adapt to sustained ammonium perchlorate exposure? *Toxicol Sci* 2004;82:106-113.

9 [36] Sjodin, A, Patterson Jr DG, Bergman A. A review on human exposure to
10 brominated flame retardants-particularly polybrominated diphenyl ethers.
11 *Environment International* 2003;29:829-839.

12 [37] Julander A, Karlsson M, Hagström K, Ohlson CG, Engwall M, Bryngelsson IL, et
13 al. Polybrominated diphenyl ethers--plasma levels and thyroid status of workers at an
14 electronic recycling facility. *Int Arch Occup Environ Health* 2005;78:584-592.

15 [38] Turyk ME, Persky VW, Imm P, Knobeloch L, Chatterton R, Anderson HA.
16 Hormone disruption by PBDEs in adult male sport fish consumers. *Environ Health*
17 *Perspect.* 2008;116:1635-1641.

18 [39] Fernie KJ, Laird Shutt J, Mayne G, Hoffman D, Letcher RJ, Drouillard KG, et al.
19 Exposure to polybrominated diphenyl ethers (PBDEs): changes in thyroid, vitamin A,
20 glutathione homeostasis, and oxidative stress in American kestrels (*Falco*
21 *sparverius*). *Toxicol Sci* 2005;8:375-383.

22 [40] Kudo Y, Yamauchi K, Fukazawa H, Terao Y. In vitro and in vivo analysis of the
23 thyroid system-disrupting activities of brominated phenolic and phenol compounds in
24 *Xenopus laevis*. *Toxicol Sci* 2006;92:87-95.

25 [41] Lema SC, Dickey JT, Schultz IR, Swanson P. 2008 Dietary exposure to 2,2',4,4'-
26 tetrabromodiphenyl ether (PBDE-47) alters thyroid status and thyroid hormone-
27 regulated gene transcription in the pituitary and brain. *Environ Health Perspect*
28 2008;116:1694-1699.

29 [42] Kuriyama SN, Wanner A, Fidalgo-Neto AA, Talsness CE, Koerner W, Chahoud
30 I., Developmental exposure to low-dose PBDE-99: tissue distribution and thyroid
31 hormone levels. *Toxicology* 2007;5;242:80-90.

32 [43] Kuriyama SN, Talsness CE, Grote K, Chahoud I. Developmental exposure to
33 low-dose PBDE-99: effects on male fertility and neurobehavior in rat offspring.
34 *Environ Health Perspect* 2005;113:149-154.

35 [44] Heudorf U, Mersch-Sundermann V, Angerer J. Phthalates: toxicology and
36 exposure. *Int J Hyg Environ Health* 2007;210:623-34.

37 [45] Howdeshell KL, Rider CV, Wilson VS, Gray LE Jr. Mechanisms of action of
38 phthalate esters, individually and in combination, to induce abnormal reproductive
39

development in male laboratory rats. *Environ Res* 2008;108:168-76.

[46] Gaitan E, Cooksey RC, Matthews D, Presson R. In vitro measurement of antithyroid compounds and environmental goitrogens. *J Clin Endocrinol Metab* 1983;56:767-773.

[47] Huang PC, Kuo PL, Guo YL, Liao PC, Lee CC. Associations between urinary phthalate monoesters and thyroid hormones in pregnant women. *Hum Reprod* 2007;22:2715-22.

[48] Meeker JD, Calafat AM, Hauser R. Di(2-ethylhexyl) phthalate metabolites may alter thyroid hormone levels in men. *Environ Health Perspect* 2007;115:1029-1034.

[49] Zoeller RT. Environmental chemicals as thyroid hormone analogues: New studies indicate that thyroid hormone receptors are targets of industrial chemicals? *Mol Cell Endocrinol* 2005;242:10-15.

[50] Bernal J. Thyroid hormones and brain development. *Vitam Horm* 2005;71:95-122.

[51] Boas M, Mainaand KM, Feldt-Rasmussen U. Environmental chemicals and thyroid function: an update. *Curr Opin Endocrinol Diabetes Obes* 2009;16:385-91.

[52] Bookout AL, Jeong Y, Downes M, Yu R, Evans R, Mangelsdorf D. Anatomical profiling of nuclear receptor expression reveals a hierarchical transcriptional network. *Cell* 2006;126:789-799.

[53] Ahuja HS, Szanto A, Nagy L, Davies PJ. The retinoid X receptor and its ligands: versatile regulators of metabolic function, cell differentiation and cell death. *J Biol Regul Homeost Agents* 2003;17:29-45.

[54] Flamant F, Gauthier K, Samarut J. Thyroid Hormones Signaling Is Getting More Complex: STORMs Are Coming. *Mol Endocrinol* 2007;21: 321–333.

[55] Schriks M, Vrabie CM, Gutleb AC, Faassen EJ, Rietjens IM, Murk AJ. T-screen to quantify functional potentiating, antagonistic and thyroid hormone-like activities of poly halogenated aromatic hydrocarbons (PHAHs). *Toxicol In Vitro* 2006;20:490-498.

[56] Sugiyama S, Miyoshi H, Yamauchi K. Characteristics of a thyroid hormone responsive reporter gene transduced into a *Xenopus laevis* cell line using lentivirus vector. *Gen Comp Endocrinol* 2005;4:270-279.

[57] Jugan ML, Levy-Bimbot M, Pomerance M, Tamisier-Karolak S, Blondeau JP, Levi Y. A new bioluminescent cellular assay to measure the transcriptional effects of chemicals that modulate the alpha-1 thyroid hormone receptor. *Toxicol in vitro* 2007;21:1197-1205.

[58] Kojima H, Takeuchi S, Uramaru N, Sugihara K, Yoshida S, Kitamura S. Nuclear Hormone Receptor Activity of Polybrominated Diphenyl Ethers and Their Hydroxylated and Methoxylated Metabolites in Transactivation Assays Using

Chinese Hamster Ovary Cells. *Environ Health Perspect* 2009;117:1210-1218.

[59] Kitamura S, Jinno N, Suzuki T, Sugihara K, Ohta S, Kuroki H, et al. Thyroid hormone-like and estrogenic activity of hydroxylated PCBs in cell culture. *Toxicology* 2005;208:377-387.

[60] Kitamura S, Shinohara S, Iwase E, Sugihara K, Uramaru N, Shigematsu H. Affinity for thyroid hormone and estrogen receptors of hydroxylated polybrominated diphenyl ethers. *J Health Sci* 2008;54:607-614.

[61] Schriks M, Roessig JM, Murk AJ, Furlow JD. Thyroid hormone receptor isoform selectivity of thyroid hormone disrupting compounds quantified with an in vitro reporter gene assay. *Environ Toxicol Pharmacol* 2007;23:302-307.

[62] Cheek AO, Kow K, Chen J, McLachlan JA. Potential mechanisms of thyroid disruption in humans: interaction of organochlorine compounds with thyroid receptor, transthyretin, and thyroid-binding globulin. *Environ Health Perspect* 1999;107:273-278.

[63] Fritsche E, Cline JE, Nguyen NH, Scanlan TS, Abel J. Polychlorinated biphenyls disturb differentiation of normal human neural progenitor cells: clue for involvement of thyroid hormone receptors. *Environ Health Perspect* 2005;113:871-876.

[64] Arulmozhiraja S, Shiraishi F, Okumura T, Lida M, Takigami H, Edmonds JS, et al. Structural requirements for the interaction of 91 hydroxylated polychlorinated biphenyls with estrogen and thyroid hormone receptors. *Toxicol Sci* 2005;84:49-62.

[65] Gauger KJ, Kato Y, Haraguchi K, Lehmler HJ, Robertson LW, Bansal R, Zoeller RT. Polychlorinated biphenyls (PCBs) exert thyroid hormone-like effects in the fetal rat brain but do not bind to thyroid hormone receptors. *Environ Health Perspect* 2004;112:516-523.

[66] Ghisari M, Bonfeld-Jorgensen EV. Effects of plasticizers and their mixtures on estrogen receptor and thyroid hormone functions. *Toxicol Lett* 2009;189:67-77.

[67] Ishihara A, Sawatsubashi S, Yamauchi K. Endocrine disrupting chemicals: interference of thyroid hormone binding to transthyretins and to thyroid hormone receptors. *Mol Cell Endocrinol* 2003;199:105-117.

[68] Kitamura S, Kato T, Lida M, Jinno N, Suzuki T, Ohta S, et al. Anti-thyroid hormonal activity of tetrabromobisphenol A, a flame retardant, and related compounds: Affinity to the mammalian thyroid hormone receptor, and effect on tadpole metamorphosis. *Life Sci* 2005;76:1589-1601.

[69] Lim W, Nguyen NH, Yang HY, Scanlan TS, Furlow JD. A thyroid hormone antagonist that inhibits thyroid hormone action in vivo. *J Biol Chem* 2002;277:35664-35670.

[70] Moriyama K, Tagami T, Akamizu T, Usui T, Saijo M, Kanamoto N, et al. Thyroid hormone action is disrupted by bisphenol A as an antagonist. *J Clin Endocrinol*

Metab 2002;87:5185-5190.

1
2 [71] Moriyama K, Tagami T, Usui T, Naruse M, Nambu T, Hataya Y, et al. Antithyroid
3 drugs inhibit thyroid hormone receptor-mediated transcription. J Clin Endocrinol
4 Metab 2007;92:1066-1072.

5
6
7 [72] Iwasaki T, Miyazaki W, Takeshita A, Kuroda Y, Koibuchi N. Polychlorinated
8 biphenyls suppress thyroid hormone-induced transactivation. Biochem Biophys Res
9 Commun 2002;299:384-388.

10
11
12 [73] Bianco AC, Salvatore D, Gereben B, Berry MJ, Larsen PR. Biochemistry, cellular
13 and molecular biology, and physiological roles of the iodothyronine
14 selenodeiodinases. Endocr Rev 2002;23:38-89.

15
16
17 [74] Astapova I, Lee LJ, Morales C, Tauber S, Bilban M, Hollenberg AN. The nuclear
18 corepressor, NCoR, regulates thyroid hormone action in vivo. Proc Natl Acad Sci
19 USA 2008;105:19544-19549.

20
21
22 [75] Yen PM, Feng X, Flamant F, Chen Y, Walker RL, Weiss RE, et al. Effects of
23 ligand and thyroid hormone receptor isoforms on hepatic gene expression profiles of
24 thyroid hormone receptor knockout mice. EMBO Rep 2003;4:581-587.

25
26
27 [76] Tagami T, Madison LD, Nagaya T, Jameson JL. Nuclear receptor corepressors
28 activate rather than suppress basal transcription of genes that are negatively
29 regulated by thyroid hormone. Mol Cell Biol 1997;17:2642-2648.

30
31
32 [77] Weiss RE, Gehin M, Xu J, Sadow PM, O'Malley BW, Chambon P, Refetoff S.
33 Thyroid function in mice with compound heterozygous and homozygous disruptions
34 of SRC-1 and TIF-2 coactivators: evidence for haploinsufficiency. Endocrinology
35 2002;143:1554-1557

36
37
38 [78] Miyazaki W, Iwasaki T, Takeshita A, Kuroda Y, Koibuchi N. Polychlorinated
39 biphenyls suppress thyroid hormone receptor-mediated transcription through a novel
40 mechanism. J Biol Chem. 2004;279:18195-202.

41
42
43 [79] Castillo AI, Sanchez-Martinez R, Moreno JL, Martinez-Iglesias OA, Palacios D,
44 Aranda A. A permissive retinoid X receptor/thyroid hormone receptor heterodimer
45 allows stimulation of prolactin gene transcription by thyroid hormone and 9-cis-
46 retinoic acid. Mol Cell Biol 2004;24, 502-513.

47
48
49 [80] Juge-Aubry CE, Gorla-Bajszczak A, Pernin A, Lemberger T, Wahli W, Burger AG
50 et al. Peroxisome proliferator-activated receptor mediates cross-talk with thyroid
51 hormone receptor by competition for retinoid X receptor. J Biol Chem
52 1995;270:18117-18122.

53
54
55 [81] Yu S, Reddy JK. Transcription coactivators for peroxisome proliferator-activated
56 receptors. Biochim Biophys Acta 2007;1771:936-951.

57
58
59 [82] Desvergne B, Feige JN, Casals-Casas C. PPAR-mediated activity of phthalates:
60 A link to the obesity epidemic? Mol Cellular Endocrinol 2009;304:43-48.

1 [83] Mol JA, Visser TJ. Rapid and selective inner ring deiodination of thyroxine
2 sulfate by rat liver deiodinase. *Endocrinology* 1985;117:8-12.
3

4 [84] Maglich JM, Watson J, McMillen PJ, Goodwin B, Willson TM, Moore JT. The
5 nuclear receptor CAR is a regulator of thyroid hormone metabolism during caloric
6 restriction. *J Biol Chem* 200;279:19832-19838.
7

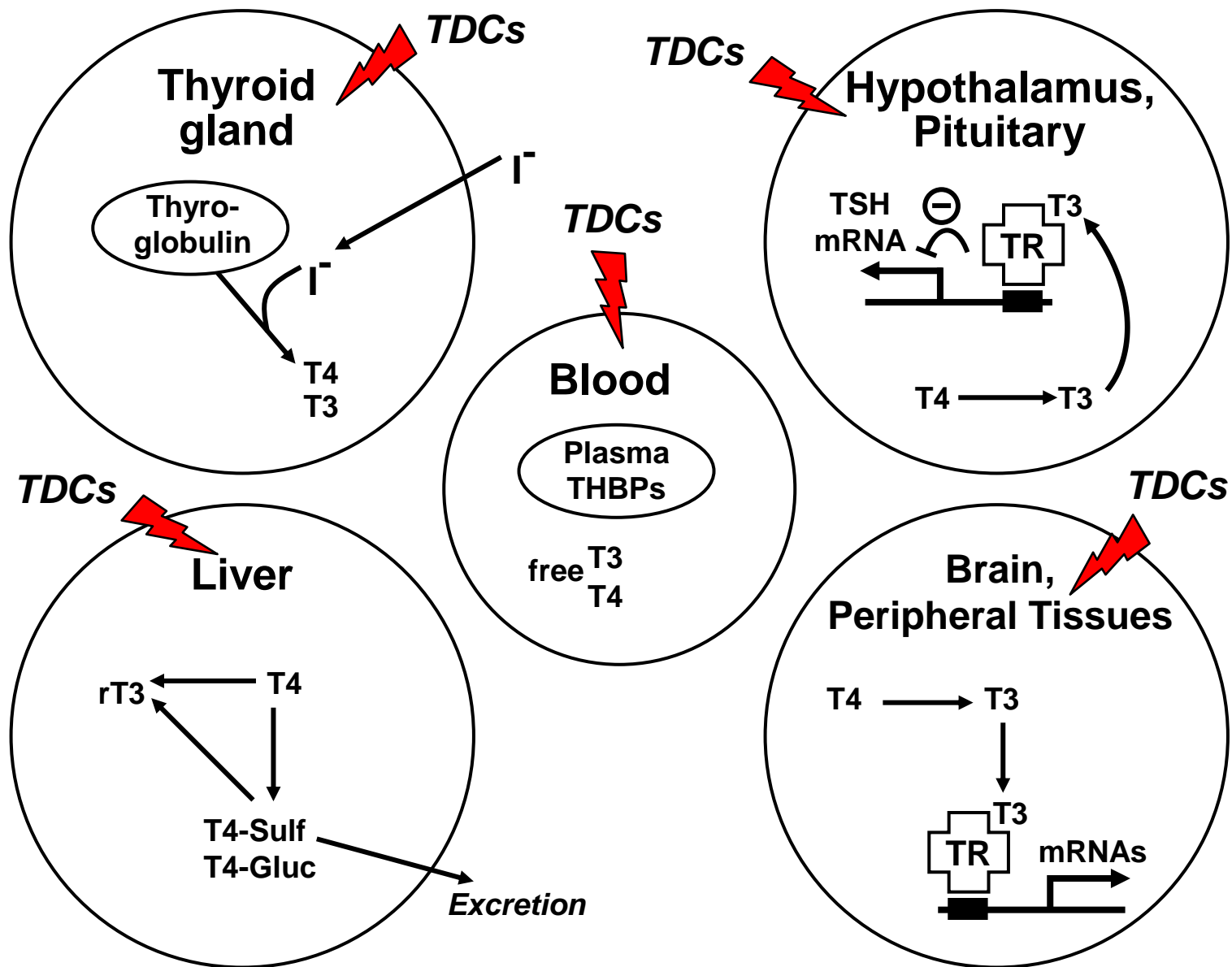
8 [85] Qatanani M, Zhang J, Moore DD. Role of the constitutive androstane receptor in
9 xenobiotic-induced thyroid hormone metabolism. *Endocrinology* 2005;146:995-1002.
10

11 [86] Sugiyama S, Shimada N, Miyoshi H, Yamauchi K. Detection of thyroid system-
12 disrupting chemicals using in vitro and in vivo screening assays in *Xenopus laevis*.
13 *Toxicol Sci.* 2005;88:367-74.
14

15 [87] Iwamuro S, Yamada M, Kato M, Kikuyama S. Effects of bisphenol A on thyroid
16 hormone-dependent up-regulation of thyroid hormone receptor alpha and beta and
17 down-regulation of retinoid X receptor gamma in *Xenopus* tail culture. *Life Sci*
18 2006;79:2165-2171.
19

20 [88] Crofton K.M. Thyroid disrupting chemicals: mechanisms and mixtures. *Int J*
21 *Androl* 2008;31(2):209-223.
22

23
24
25
26
27
28
29
30
31
32
33
34
35
36
37
38
39
40
41
42
43
44
45
46
47
48
49
50
51
52
53
54
55
56
57
58
59
60
61
62
63
64
65



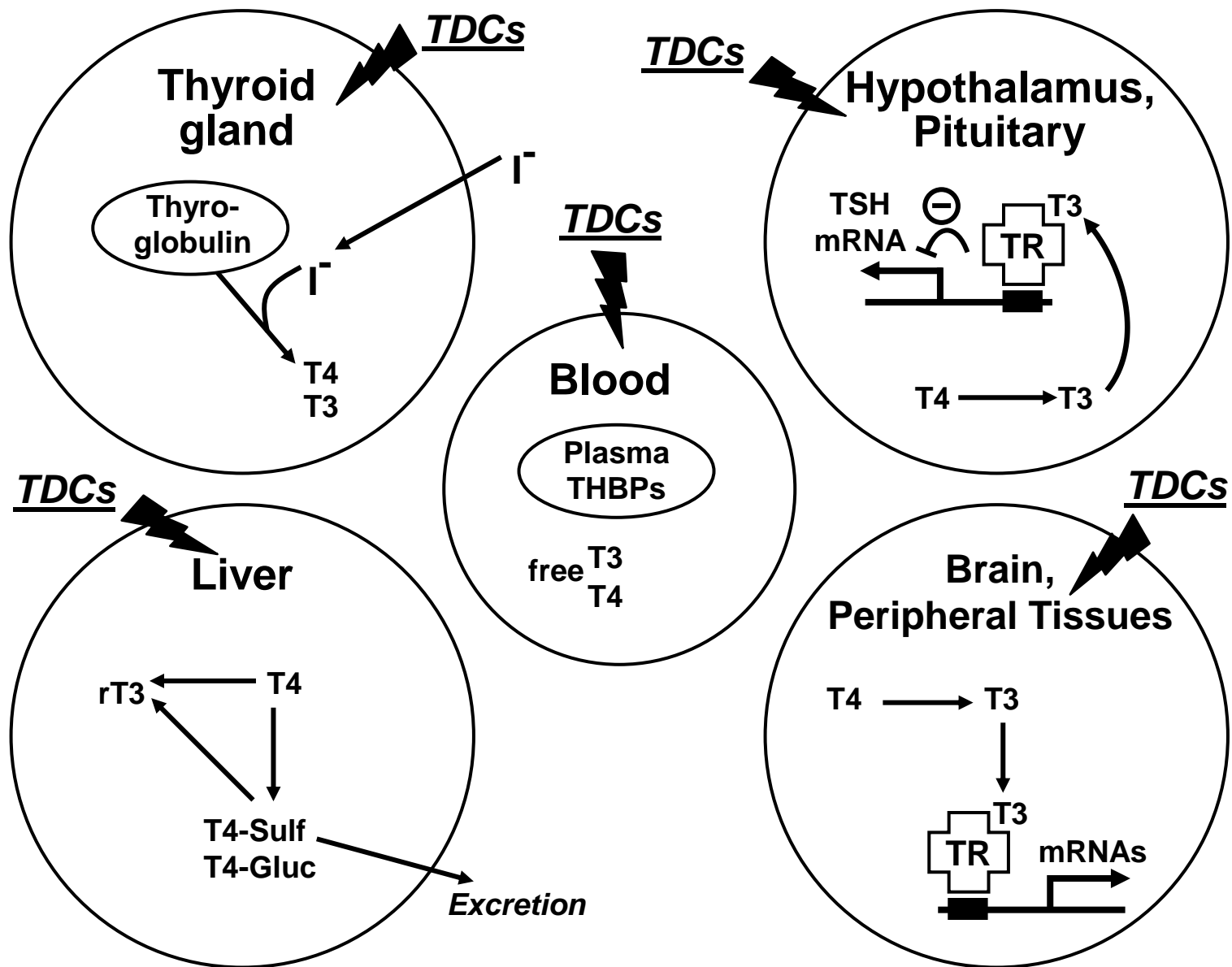


Table 1: Cohort studies focusing on the association between mental and psychomotor defects and PCB perinatal exposure.

POPULATION OF CHILDREN	EFFECT RELATED TO PCB EXPOSURE	REFERENCES
N = 171 (7, 18, 30, 42 months) Germany	Pre- and post-natal exposure inhibits motor and mental development at all ages up to 42 months	[7]
9 years Netherlands	Higher prenatal PCB levels and lactational exposure were associated with longer and more variable response times, and lower psychomotor scores	[8]
N = 148 (11 years) USA (Michigan)	Prenatal PCB exposure was associated with greater impulsiveness, poorer concentration, and poorer verbal, pictorial, and auditory working memory. Postnatal exposure had no influence.	[9]
N = 788 USA (Massachusetts)	Association between low-level prenatal PCB exposures and poor attention in early infancy.	[10]
N = 232 (2 week, 18 months) Germany	No association between perinatal PCB exposure and mental and motor development defects	[11-12]
N = 1134 children and mother Slovakia	Maternal dioxin-like PCBs were significantly associated with lower scores on both the psychomotor and mental development indices. Anti-estrogenic and non-dioxin-like PCBs did not show any statistically significant association	[13]

Table II: Cohort studies that focus on the correlation between PCB exposure and TH levels. FT4: free T4, FT3: free T3, TT3: total T3, TPOab: anti-thyroperoxydase antibody, TBG: thyroid binding globulin; ND: no data.

POPULATION	PCB CONCENTRATIONS	CORRELATION	REFERENCES
149 pregnant women Quebec	0.3 µg/L blood	Negative: TT3 No: TSH, FT4, umbilical cord TT3	[17]
438 adult men Fish consumers USA (Great Lakes)	806 ng/g lipids in plasma 204 ng/g control (no fish consumption)	Negative: TSH, FT4 et TT3	[18]
232 adults Slovakia	< 530 ng/g lipids in plasma	Positive after high exposures: FT4, thyroid gland volume, TPOab	[19]
1307 adults Slovakia	0.53-2 µg/g lipids in plasma		
1123 adults Slovakia	2-101 µg/g lipids in plasma		
232 children 2 weeks, 18 months Germany	19.3 pg/g lipids in plasma	No: TSH, TT4, FT4, TT4, FT3	[12]
232 adolescents Canada (Quebec)	Persitent PCB: 0.32 ppb Non persistent PCB: 0.23 ppb in plasma	Negative: FT4 Positive: TSH	[20]
120 pregnant women USA (California)	0.89 µg/L (PCB-153) and 316 pg/g PCB-OH wet weight in plasma	Positive: TT3 No: TSH, FT4, TBG	[21]
95 umbilical cords	0.2 µg/L PCB-153 and 246 pg/g PCB-OH	Negative: TBG No: TT3, TSH, FT4	
130 children, 7 months	0.45 % g/L PCB-153	No: TBG, TT3, FT4, TSH	
38 adults	PCB 153: 0.42 ng/mL PCB 138: 0.31 ng/mL PCB 180: 0.36 ng/mL	Positive: FT4 No: TSH	[22]

Figure 1 color

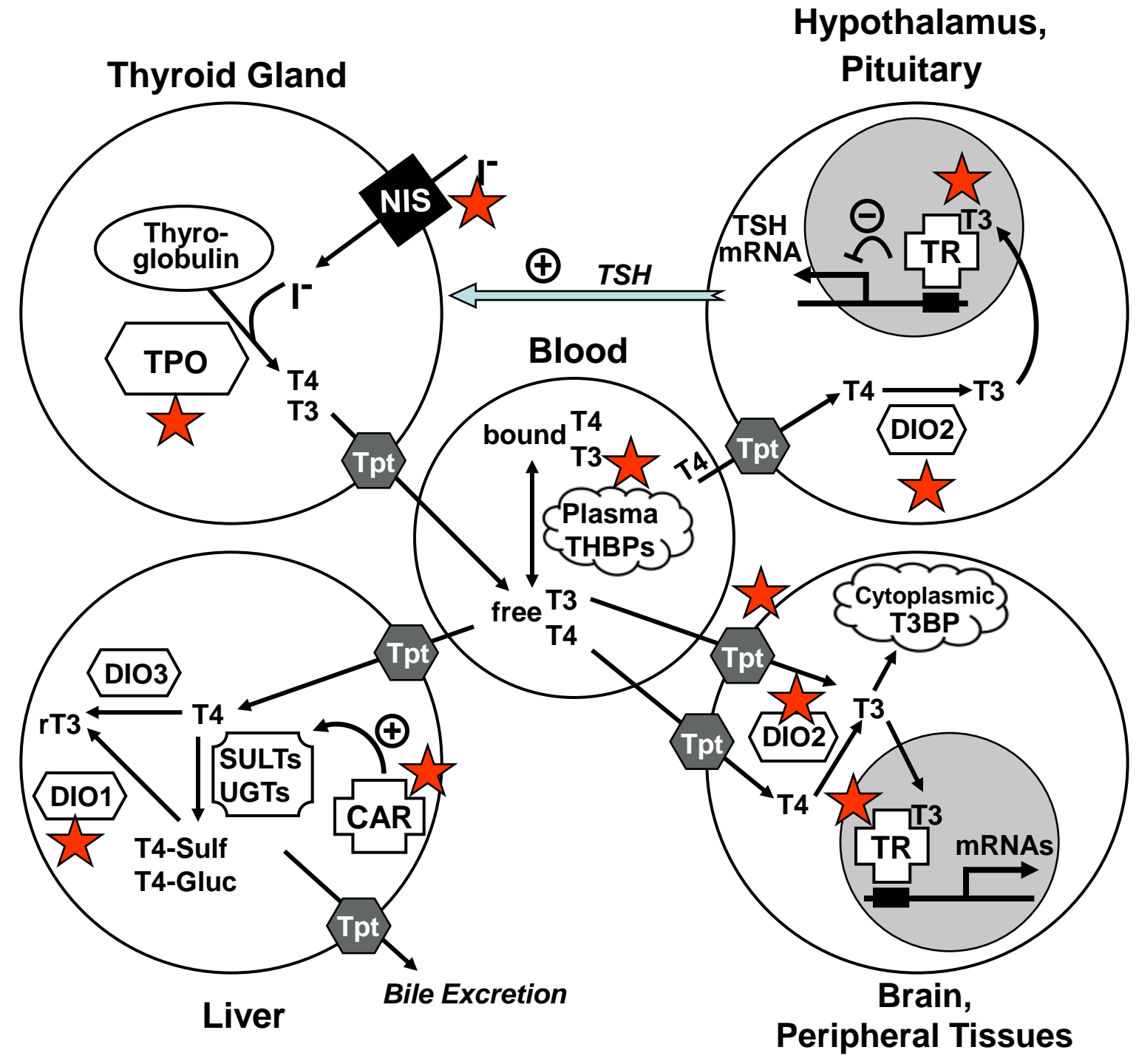


Figure 1 greyscale

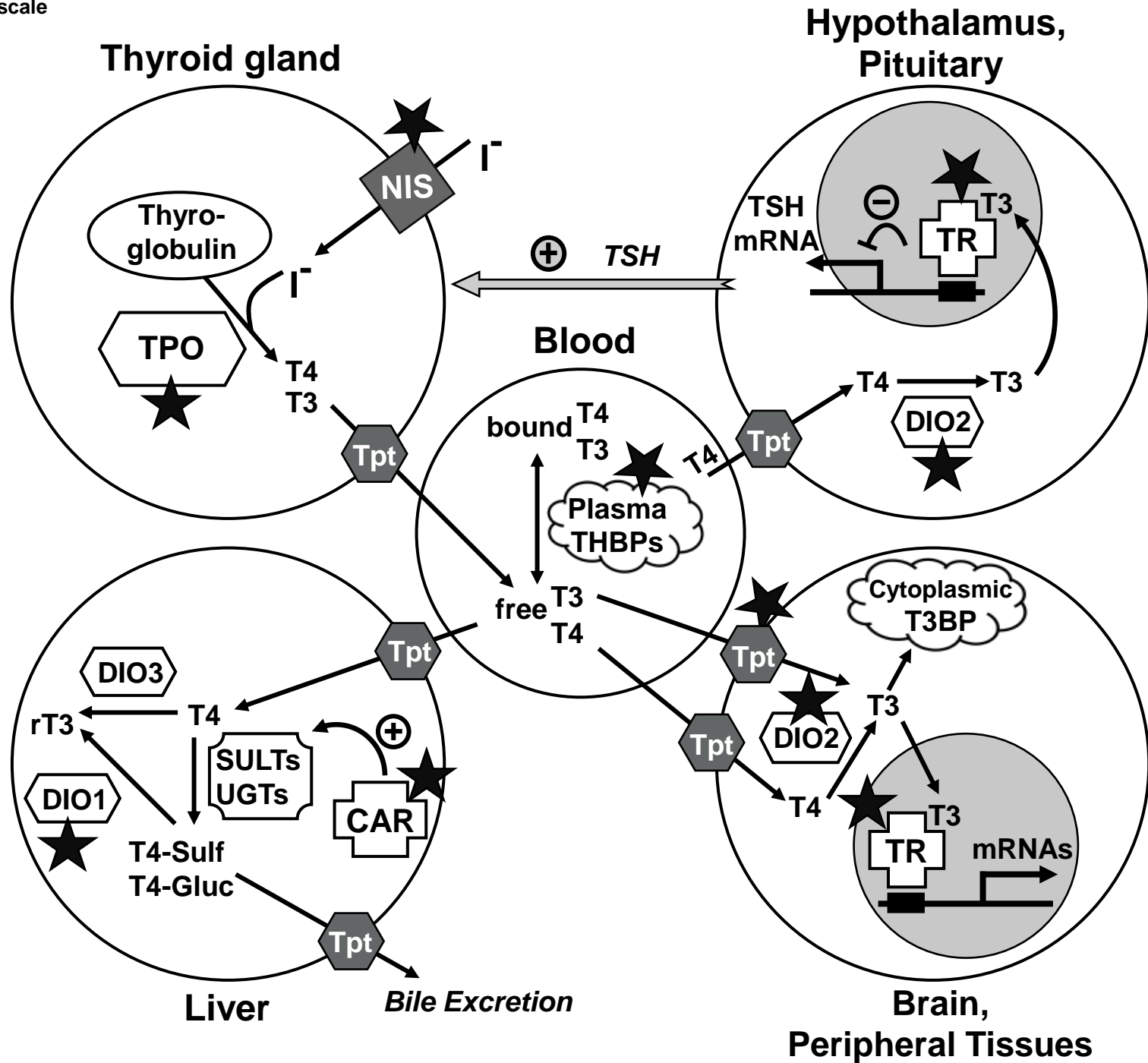
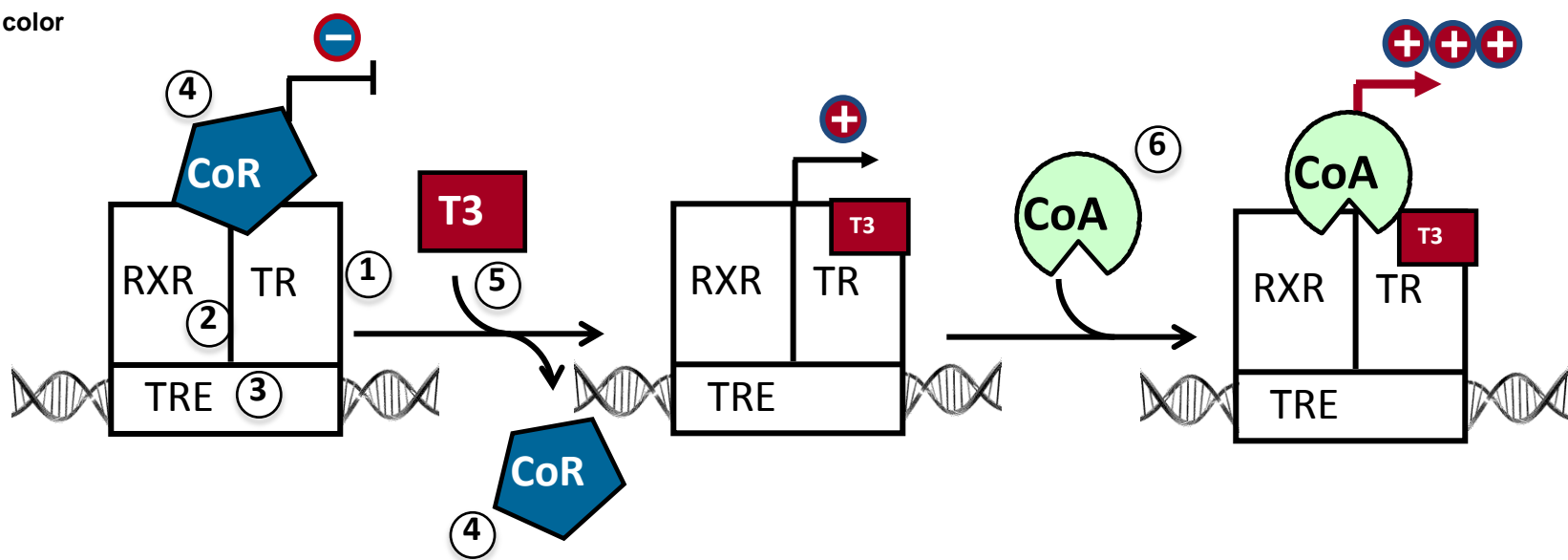
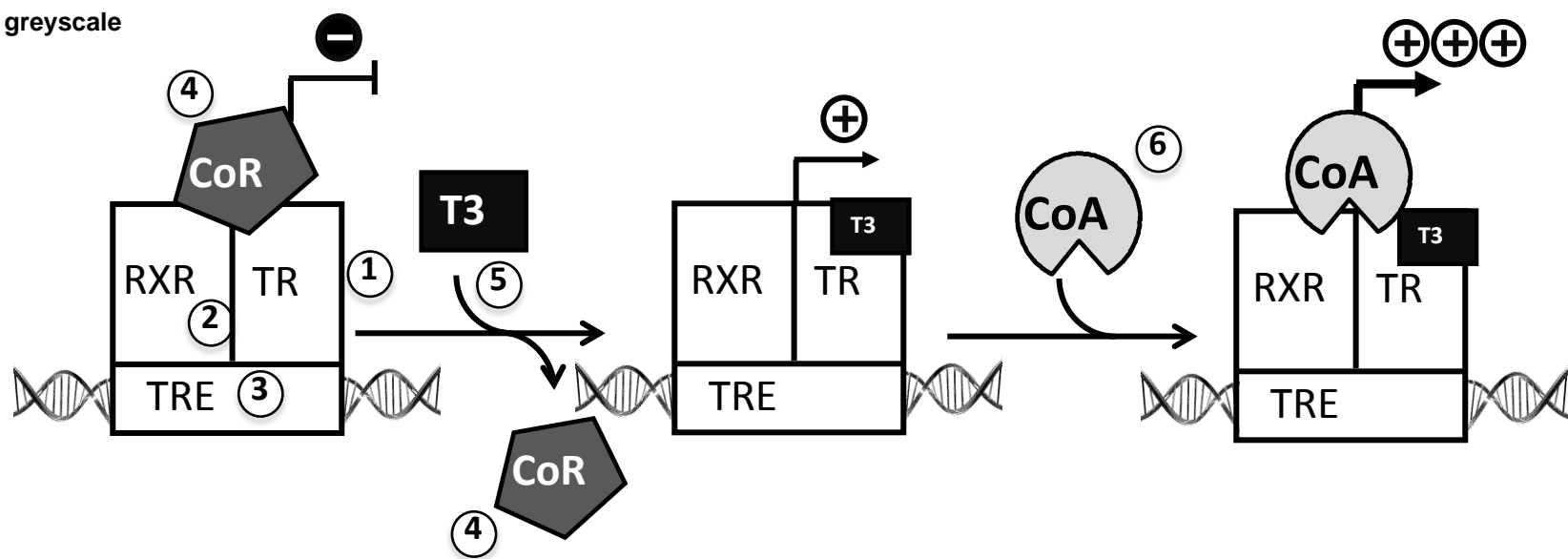


Figure 2 color



Endpoints	Chemicals	References
1. Expression of TR	Phthalates Bisphenol A	[86] [87]
2/ TR/RXR heterodimerization	No data	[80]
3/ Interaction of TRE with RXR/TR	OH-PCB	[78]
4/ Recruitment/release of corepressors	Bisphenol A Anti-thyroid drugs NH-3	[70] [71] [69]
5/ T3 binding to TR	OH-PBDE Pentabromophenol Phthalates	[59-60] [60] [67]
6/ Recruitment of coactivators: transcriptional activation	OH-PCB	[72]

Figure 2 greyscale



Endpoints	Chemicals	References
1. Expression of TR	Phthalates Bisphenol A	[86] [87]
2/ TR/RXR heterodimerization	No data	[80]
3/ Interaction of TRE with RXR/TR	OH-PCB	[78]
4/ Recruitment/release of corepressors;	Bisphenol A Anti-thyroid drugs NH-3	[70] [71] [69]
5/ T3 binding to TR	OH-PBDE Pentabromophenol Phthalates	[59-60] [60] [67]
6/ Recruitment of coactivators: transcriptional activation	OH-PCB	[72]

FIGURE LEGEND

1
2
3
4
5
6
7 Figure 1: A schematic view of the thyroid hormone regulatoty network and thyroid
8
9 disruption endpoints. Cytoplasmic T3BP: cytoplasmic T3-binding protein; DIO1, 2, 3:
10
11 deiodinases type 1, 2, 3; NIS: sodium iodide symporter; Plasma THBPs: plasma
12
13 thyroid hormone-binding proteins; rT3: reverse-T3 (inactive); SULT: sulfotransferase;
14
15 T4-Gluc: T4 glucuronide (inactive); T4-Sulf: T4-Sulfate (inactive); TPO:
16
17 thyroperoxydase; Tpt: membrane transporter; TR: thyroid hormone receptor; TSH:
18
19 thyrotropin; UGT, glucuronosyltransferase; ★= thyroid disruption endpoints.
20
21
22
23
24
25
26
27
28
29
30

31
32 Figure 2: Regulation of transcription by the thyroid hormone receptor (TR). In the
33
34 absence of T3, the heterodimer TR-RXR, bound to a T3-responsive element (TRE)
35
36 on DNA, recruits corepressors (CoR) and represses basal transcription. T3 binding to
37
38 TR induces the release of CoR, and restores the basal transcription level.
39
40 Coactivators (CoA) can then be recruited and stimulate transcription. Table inset:
41
42 Environmental chemicals may target various levels of the TH-related transcriptional
43
44 process.
45
46
47
48
49
50
51
52
53
54
55
56
57
58
59
60
61
62
63
64
65