



HAL
open science

Intestinal cell-specific vitamin D receptor (VDR)-mediated transcriptional regulation of CYP3A4 gene

Petr Pavek, Katerina Pospeschova, Lucie Svecova, Zdenka Syrova, Lucie Stejskalova, Jana Blazkova, Zdenek Dvorak, Jaroslav Blahos

► **To cite this version:**

Petr Pavek, Katerina Pospeschova, Lucie Svecova, Zdenka Syrova, Lucie Stejskalova, et al.. Intestinal cell-specific vitamin D receptor (VDR)-mediated transcriptional regulation of CYP3A4 gene. *Biochemical Pharmacology*, 2009, 79 (2), pp.277. 10.1016/j.bcp.2009.08.017 . hal-00535827

HAL Id: hal-00535827

<https://hal.science/hal-00535827>

Submitted on 13 Nov 2010

HAL is a multi-disciplinary open access archive for the deposit and dissemination of scientific research documents, whether they are published or not. The documents may come from teaching and research institutions in France or abroad, or from public or private research centers.

L'archive ouverte pluridisciplinaire **HAL**, est destinée au dépôt et à la diffusion de documents scientifiques de niveau recherche, publiés ou non, émanant des établissements d'enseignement et de recherche français ou étrangers, des laboratoires publics ou privés.

Accepted Manuscript

Title: Intestinal cell-specific vitamin D receptor (VDR)-mediated transcriptional regulation of CYP3A4 gene

Authors: Petr Pavek, Katerina Pospechova, Lucie Svecova, Zdenka Syrova, Lucie Stejskalova, Jana Blazkova, Zdenek Dvorak, Jaroslav Blahos



PII: S0006-2952(09)00697-2
DOI: doi:10.1016/j.bcp.2009.08.017
Reference: BCP 10301

To appear in: *BCP*

Received date: 17-7-2009
Revised date: 16-8-2009
Accepted date: 17-8-2009

Please cite this article as: Pavek P, Pospechova K, Svecova L, Syrova Z, Stejskalova L, Blazkova J, Dvorak Z, Blahos J, Intestinal cell-specific vitamin D receptor (VDR)-mediated transcriptional regulation of CYP3A4 gene, *Biochemical Pharmacology* (2008), doi:10.1016/j.bcp.2009.08.017

This is a PDF file of an unedited manuscript that has been accepted for publication. As a service to our customers we are providing this early version of the manuscript. The manuscript will undergo copyediting, typesetting, and review of the resulting proof before it is published in its final form. Please note that during the production process errors may be discovered which could affect the content, and all legal disclaimers that apply to the journal pertain.

1
2
3
4 **Intestinal cell-specific vitamin D receptor (VDR)-mediated transcriptional**
5
6 **regulation of CYP3A4 gene**
7
8
9

10
11
12
13 **Petr Pavek*^a, Katerina Pospechova^a, Lucie Svecova^a, Zdenka Syrova^b, Lucie**
14 **Stejskalova^a, Jana Blazkova^c, Zdenek Dvorak^d, Jaroslav Blahos^b**
15
16
17

18
19
20
21
22 ^a Department of Pharmacology and Toxicology, Faculty of Pharmacy in Hradec Kralove,
23
24 Charles University in Prague, Heyrovskeho 1203, Hradec Kralove, CZ-500 05, Czech
25
26 Republic; ^b Laboratory of Molecular Pharmacology and ^c Laboratory of Viral and Cellular
27
28 Genetics, Institute of Molecular Genetics, Academy of Sciences of the Czech Republic,
29
30 Vídeňská 1083, Praha 4, CZ-142 20, Czech Republic; and ^d Department of Cell Biology and
31
32 Genetics, Faculty of Science, Palacky University in Olomouc, Slechtitelu 11,
33
34 Olomouc, CZ-783 71, Czech Republic
35
36
37
38
39
40
41
42
43
44
45
46

47 **Corresponding author:**
48
49

50 Petr Pavek PhD., Department of Pharmacology and Toxicology, Charles University in Prague,
51
52 Faculty of Pharmacy, Heyrovskeho 1203, Hradec Kralove, CZ-500 05, Czech Republic, Tel.
53
54 +420-495-067-334; Fax. +420-495-067-170; E-mail: petr.pavek@faf.cuni.cz
55
56
57
58
59
60
61
62
63
64
65

1
2
3
4
5
6
7
8
9
10
11
12
13
14
15
16
17
18
19
20
21
22
23
24
25
26
27
28
29
30
31
32
33
34
35
36
37
38
39
40
41
42
43
44
45
46
47
48
49
50
51
52
53
54
55
56
57
58
59
60
61
62
63
64
65

Abbreviations: CAR, constitutive androstane receptor; eNR3A4, essential distal nuclear receptor-binding element for CYP3A4 induction; ER6, everted repeat separated by six nucleotides; prER6, ER6 in the CYP3A4 proximal promoter; DR4, direct repeat separated by four nucleotides; PXR, pregnane X receptor; RE, response element; qRT-PCR, quantitative real-time reverse transcriptase polymerase chain reaction; RXR α , retinoid X receptor α (9-cis retinoic acid receptor- α); VDR, vitamin D receptor; XREM, xenobiotic responsive enhancer module; CLEM4, constitutive liver enhancer module of CYP3A4; 1,25OHvitD₃, 1 α ,25-dihydroxyvitamin D₃; LCA, lithocholic acid; CDCA, chenodeoxycholic acid; EMSA, electrophoretic mobility shift assay; ChIP; chromatin immunoprecipitation.

Abstract

1
2 CYP3A4 is the most important drug-metabolizing enzyme that is involved in
3
4 biotransformation of more than 50% of drugs. Pregnane X receptor (PXR) dominantly
5
6 controls CYP3A4 inducibility in the liver, whereas vitamin D receptor (VDR) transactivates
7
8 CYP3A4 in the intestine by secondary bile acids. Four major functional PXR-binding
9
10 CYP3A4 in the intestine by secondary bile acids. Four major functional PXR-binding
11
12 response elements of CYP3A4 have been discovered and their cooperation was found to be
13
14 crucial for maximal up-regulation of the gene in hepatocytes. VDR and PXR recognize
15
16 similar response element motifs and share DR3(XREM) and proximal ER6 (prER6) response
17
18 elements of the CYP3A4 gene.
19
20

21
22 In this work, we tested whether the recently discovered PXR response elements
23
24 DR4(eNR3A4) in the XREM module and the distal ER6 element in the CLEM4 module
25
26 (CLEM4-ER6) bind VDR/RXR α heterodimer, whether the elements are involved in the
27
28 intestinal transactivation, and whether their cooperation with other elements is essential for
29
30 maximal intestinal expression of CYP3A4.
31
32

33
34 Employing a series of gene reporter plasmids with various combinations of response
35
36 element mutations transiently transfected into four intestinal cell lines, electrophoretic
37
38 mobility shift assay (EMSA) and chromatin immunoprecipitation assay (ChIP), we found that
39
40 the CLEM4-ER6 motif interacts with VDR/RXR α heterodimer and partially cooperates with
41
42 DR3(XREM) and prER6 in both basal and VDR-mediated inducible CYP3A4 regulation in
43
44 intestinal cells. In contrast, eNR3A4 is involved only in the basal transactivation in intestinal
45
46 cells and in the PXR-mediated rifampicin-induced transactivation of CYP3A4 in LS174T
47
48 intestinal cells.
49
50
51

52
53 We thus describe a specific ligand-induced VDR-mediated transactivation of the CYP3A4
54
55 gene in intestinal cells that differs PXR-mediated CYP3A4 regulation in hepatocytes.
56
57
58
59
60
61
62
63
64
65

Keywords: pharmacokinetics, metabolism, cytochrome P450, CYP3A4, transcriptional
regulation, nuclear receptors

Accepted Manuscript

1
2
3
4
5
6
7
8
9
10
11
12
13
14
15
16
17
18
19
20
21
22
23
24
25
26
27
28
29
30
31
32
33
34
35
36
37
38
39
40
41
42
43
44
45
46
47
48
49
50
51
52
53
54
55
56
57
58
59
60
61
62
63
64
65

1. Introduction

1
2 The cytochrome P450 3A4 (CYP3A4) catalyzes the metabolism of more than half of all
3
4 drugs [1]. Numerous transcription factors and nuclear receptors interacting with multiple
5
6 promoter/enhancer elements control transcriptional regulation of the human CYP3A4 gene.
7
8 The CYP3A4 5'-flanking region is 35.8 kb [2], but only 13 kb have been systematically
9
10 analyzed for regulation in hepatocyte or intestinal cells [3, 4].
11
12

13
14 CYP3A4 induction by xenobiotics and hormones is mediated by the pregnane X receptor
15
16 (PXR, NR1I2) [5-7], constitutive androstane receptor (CAR, NR1I3) [8, 9], vitamin D
17
18 receptor (VDR, NR1I1) [10, 11], glucocorticoid receptor- α (GR α , NR3C1) [12], hepatocyte
19
20 nuclear factor-4 α (HNF4 α , NR2A1) [13] and retinoid X receptor- α (RXR α , NR2B1) in the
21
22 liver [3]. In addition, basal (constitutive) CYP3A4 expression in the absence of an inducing
23
24 agent has been found to correlate with expression of CAR, PXR and HNF4 α in the liver [12,
25
26
27
28
29
30
31
32
33
34
35
36
37
38
39
40
41
42
43
44
45
46
47
48
49
50
51
52
53
54
55
56
57
58
59
60
61
62
63
64
65

66
67 The drug-induced expression of the CYP3A4 gene in the liver, and to a lesser extent in the
68
69 intestine, is predominantly regulated through PXR [15]. In contrast, VDR controls CYP3A4
70
71 transactivation by the secondary bile acid lithocholic acid (LCA) and subsequent
72
73 biotransformation of LCA in the intestine [16, 17].

74
75 Studies on the CYP3A4 gene promoter transactivation via ligand-activated nuclear
76
77 receptors have uncovered several functional cis-acting response elements (REs) that are
78
79 common for PXR, CAR and VDR. First, Barwick et al. identified two AG(G/T)TCA
80
81 hexamers composing an everted repeat separated by six nucleotides (ER6) in the proximal
82
83 promoter of CYP3A4 (prER6; -169/-152) [18] that was later identified as a PXR binding
84
85 response element [5, 7, 19]. Goodwin et al. discovered a xenobiotic-responsive enhancer
86
87 module (XREM) located between -7.8 and -7.2 kb upstream of the CYP3A4 transcription start
88
89 site with a functional DR3 nuclear receptor-binding element 1 (dNR1;-7733/-7719) [6]. Both
90
91
92
93
94
95
96
97
98
99
100
101
102
103
104
105
106
107
108
109
110
111
112
113
114
115
116
117
118
119
120
121
122
123
124
125
126
127
128
129
130
131
132
133
134
135
136
137
138
139
140
141
142
143
144
145
146
147
148
149
150
151
152
153
154
155
156
157
158
159
160
161
162
163
164
165

1 DR3 and prER6 also confer CAR- and VDR-mediated transactivation of the CYP3A4 gene in
2 HepG2 cells [6, 10, 20].
3

4 Matsumura and coworkers discovered that the region from -11.4 to -10.5 kb, designated a
5 constitutive liver enhancer module of CYP3A4 (CLEM4), is essential for constitutive
6 activation of the CYP3A4 gene in HepG2 cells [21]. Liu and coworkers identified a functional
7 PXR responsive ER6 element localized within the module (CLEM4-ER6 at -11368/-11351) in
8 the Huh7 hepatocarcinoma cell line [22].
9

10 Recently, another DR4-type PXR binding cis-element (eNR3A4) in the CYP3A4 gene 5'-
11 flanking region (-7618/-7603) was discovered [23].
12

13 In addition to individual roles of the REs in CYP3A4 transactivation, positive
14 cooperativity between DR3 and prER6 motifs has been found to be crucial in inducible PXR-
15 and CAR-mediated transactivation of CYP3A4 [6, 8]. Moreover, cooperativity among the
16 CLEM4-ER6 motif and DR3/prER6 sites in both basal and inducible transactivation of
17 CYP3A4 has been recently demonstrated to be essential for full CYP3A4 transactivation via
18 PXR in Huh7 cells [22]. Consistently, Drocourt et al. [10] described cooperativity between
19 XREM and the native proximal region (-262/+11) of the CYP3A4 gene in VDR-mediated
20 transactivation in HepG2 cells.
21

22 The role and cooperativity of the response elements in VDR-mediated transactivation have
23 not been systematically studied, however, and it is not known whether the recently discovered
24 eNR3A4 and CLEM4-ER6 motifs interact with the VDR/RXR α heterodimer. Moreover,
25 tissue-specific aspects of VDR-mediated gene regulation and involvement of the REs in the
26 intestinal transactivation of CYP3A4 have not yet been tested.
27

28 Accordingly, the aim of this study was to systematically investigate the involvement and
29 cooperativity of the four major response elements prER6, DR3, eNR3A4 and CLEM4-ER6 in
30 the VDR-mediated transactivation of CYP3A4 in model intestinal cell lines.
31

1 Using transient transfection assays with a set of mutated or deleted reporter constructs,
2 electrophoretic mobility shift assay and chromatin immunoprecipitation, we have identified
3 prER6 and DR3 motifs as key cis-acting response elements in the VDR-mediated inducible
4 transactivation of the CYP3A4 gene in several intestinal cell lines. The CLEM4-ER6 motif
5 has rather a modulatory role and the eNR3A4 element has no role in the regulation. We also
6 show that the intestinal VDR-mediated transactivation pattern of the CYP3A4 gene differs
7 from the VDR-mediated transactivation of the gene in the tested hepatocyte-derived cell lines
8 and from the PXR-mediated transactivation in hepatocytes. Our data indicate, moreover, that
9 VDR and PXR cooperatively up-regulate intestinal CYP3A4 transactivation and CYP3A4
10 mRNA expression in intestinal LS174T cells.
11
12
13
14
15
16
17
18
19
20
21
22
23
24
25
26
27
28
29
30
31
32
33
34
35
36
37
38
39
40
41
42
43
44
45
46
47
48
49
50
51
52
53
54
55
56
57
58
59
60
61
62
63
64
65

2. Material and methods

2.1 Cell Lines

The human colon adenocarcinoma (LS174T, CACO-2), human Caucasian colon carcinoma (HT-29), human ileocecal adenocarcinoma (HCT-8) and human Caucasian hepatocellular carcinoma (HepG2) cell lines were purchased from the European Collection of Cell Cultures (Salisbury, UK) and were used within 20 passages after delivery. The human Mz-Hep-1 hepatocarcinoma cell line was kindly donated by Dr. Ramiro Jover, Unidad de Hepatología Experimental, Hospital La Fe, Valencia, Spain. HepG2, MZ-Hep-1, LS174T, CACO-2 and HT-29 cell lines were maintained in the antibiotic-free Dulbecco's modified Eagle's medium (DMEM) supplemented with 10% fetal bovine serum (FBS). HCT-8 cell line was cultivated in RPMI 1640 medium supplemented with 1mM sodium pyruvate and 10% horse serum. Media for HepG2, CACO-2, HT-29 and LS174T cell lines were supplemented with 1% non-essential amino acids (NEAA; Sigma-Aldrich, St. Louis, MO). The LS174T human colon adenocarcinoma cell line is one of very few human-derived cell lines with inducible CYP3A4 and relative high expression of PXR [24, 25]. Importantly, all intestinal cell lines used express functional VDR [26-28].

2.2 Chemicals

Rifampicin, LCA, CDCA and $1\alpha,25$ -dihydroxyvitamin D_3 ($1,25OHvitD_3$) and cell culture media were purchased from Sigma-Aldrich (St. Louis, MO). Phenol red-free media were purchased from Invitrogen (Carlsbad, CA). FBS was purchased from PAA (Pasching, Austria). CITCO ((6-(4-chlorophenyl) imidazo [2,1-b][1,3] thiazole-5-carbaldehyde o-(3,4-dichlorobenzyl) oxime) was purchased from BIOMOL Research Laboratories (Plymouth Meeting, PA).

1 Stock solutions (1000× or 3000×) were prepared in DMSO (Sigma-Aldrich) or in ethanol
2 (1,25 OHvitD₃, 1000×). The final concentration of DMSO in culture media was 0.1% (v/v) in
3 all experiments.
4
5
6
7
8
9

10 2.3 Plasmids

11 The p3A4-luc reporter construct containing the basal promoter (-361/+53) with the
12 proximal PXR response element (ER6) and the distal xenobiotic responsive enhancer module
13 XREM(-7835/-7208) of the CYP3A4 gene 5'-flanking region inserted to pGL3-Basic reporter
14 vector (Promega, Madison, WI) was described elsewhere [6]. The reporter vector was
15 digested with restriction enzymes and both the proximal promoter sequence (-361/+53) and
16 the XREM were inserted into the *SacI/BglIII* and *BglIII/HindIII* sites of the pGL4.10 reporter
17 vector (Promega) to generate a p3A4(XREM/prox)-luc reporter plasmid (the plasmid is
18 designated X in this paper).
19
20
21
22
23
24
25
26
27
28
29
30
31

32 To generate the reporter plasmid p(CLEM4-ER6wt)-luc with the CLEM4 region of the
33 CYP3A4 gene [21], the genomic fragment (-11383/-10578, GenBank accession no.
34 AF208107) was generated by PCR using 3A4 -11.4s*KpnI* as a sense primer and 3A4 -
35 10.5*SacI* as an antisense primer (Table 1). The fragment was digested with restriction
36 enzymes *KpnI* and *SacI* and then inserted into the *KpnI/SacI* sites of pGL4.23 (Promega). The
37 same fragment was inserted into the p3A4(XREM/prox)-luc plasmid to generate p(3A4-
38 CLEM4/XREM/prox)-luc (the plasmid is designated A).
39
40
41
42
43
44
45
46
47
48

49 Mutated reporter plasmids were constructed by the PCR-based site-directed mutagenesis
50 with the QuikChange® Site-Directed Mutagenesis kit (Stratagene, La Jolla, CA) using
51 primers shown in Table 1. The sequences of all constructs were verified by DNA sequencing.
52
53
54
55

56 The expression plasmid for PXR (pSG5-hPXR) was kindly provided by Dr. S. Kliewer
57 (University of Texas, Dallas, TX). The human CAR expression plasmid pCR3-hCAR was
58
59
60
61
62
63
64
65

1 kindly provided by Dr. M. Negishi (National Institute of Environmental Health Sciences,
2 Research Triangle Park, NC). The expression plasmids pSG5-hVDR and pSG5-hRXR α
3 encoding human VDR and RXR α cDNAs were a generous gift from Dr. C. Carlberg
4 (University of Kuopio, Kuopio, Finland). pRL-TK was purchased from Promega.
5
6
7
8
9

10 11 **2.4 Transient Transfection and Luciferase Gene Reporter Assays**

12 All transient transfection assays were carried out using Lipofectamine2000 transfection
13 reagent (Invitrogen, Carlsbad, CA) in cells cultivated in the phenol red-free medium
14 containing 10% charcoal-stripped FCS according to the manufacturer's protocol as described
15 elsewhere [29]. Briefly, cells were seeded into 48-well plates and transfected with a luciferase
16 reporter construct (200 or 250 ng/well), a nuclear receptor expression plasmid (50 ng/well),
17 and the Renilla reniformis luciferase transfection control plasmid (pRL-TK) (30 ng/well) 24 h
18 later. Cells were maintained in a phenol red-free medium (200 μ l) supplemented with 10%
19 charcoal/dextran-stripped FBS with 1,25OHvitD $_3$, rifampicin, CITCO or bile acids at the
20 indicated concentrations for 24 h.
21
22
23
24
25
26
27
28
29
30
31
32
33
34
35
36
37
38

39 **2.5 Electrophoretic mobility shift assay (EMSA)**

40 Human VDR, PXR and RXR α were translated *in vitro* using the TNT Quick Coupled
41 Transcription/Translation System (Promega, Southampton, UK). The EMSA was performed
42 according to the protocol published elsewhere with the 5'-biotinylated probes for ER6-
43 CLEM4 and eNR3A4 response elements of the CYP3A4 gene [25]. Oligonucleotide
44 sequences used for EMSA assay are presented in Table 1.
45
46
47
48
49
50
51
52

53 For supershift experiments, 1 μ g of the anti-RXR α rabbit polyclonal IgG antibody (sc-553,
54 Santa Cruz Biotechnology, Inc., Santa Cruz, CA) was added to the reaction mixture.
55
56
57
58
59
60
61
62
63
64
65

2.6 Chromatin immunoprecipitation (ChIP) assay

1
2 LS174T cells were seeded in Petri dishes (13.5 cm diameter) at the density of 100×10^3
3
4 cell/cm². After 24 h, the cells were cultured in the presence of ethanol (vehicle) or
5
6 1,25OHvitD₃ (10 nM) for 4 hours. Chromatin immunoprecipitation assay (ChIP) was
7
8 performed using the ChIP assay kit (Upstate Biotechnology, Lake Placid, NY) according to
9
10 the manufacturer's protocol.
11
12

13
14 Briefly, protein-DNA complexes were cross-linked by adding formaldehyde for 10 min
15
16 directly to the medium to final concentration of 1%. Cross-linking was quenched by adding
17
18 Tris/glycine. Cells were washed twice with phosphate buffered saline (PBS), scraped,
19
20 resuspended in lysis buffer and sonicated with the BRANSON Digital Sonifier® S-450D to
21
22 shear DNA to lengths between 200 and 1000 bp. The sonicated cell supernatant was diluted
23
24 10-fold in ChIP dilution buffer and after pre-clearing with protein A agarose, 1/18 volume of
25
26 supernatant was kept as „input control“ for qPCR analysis. Immunoprecipitation was carried
27
28 out by incubating the samples (1.8 mL) overnight at 4°C with rotation with the following
29
30 antibodies (5 µg): rabbit anti-VDR (VDR c-20) (Santa Cruz Biotechnology), rabbit anti-RNA
31
32 polymerase II (Pol II, N-20, Santa Cruz Biotechnology), anti-acetylated histone H3 and H4
33
34 (06-599 and 06-866) (Upstate, Lake Placid, NY) and rabbit IgG (12-370) (Upstate) as a non-
35
36 specific IgG control. Protein A agarose beads were then added and incubated for 1 hour. The
37
38 pellets were gradually washed with buffers. Protein-DNA complexes were then eluted and
39
40 cross-links were reversed by adding NaCl during overnight incubation at 65°C. Proteinase
41
42 K/RNAase-treated DNA fragments were purified using ChIP DNA Clean & Concentrator™
43
44 spin column (Zymo Research, Orange, CA).
45
46
47
48
49
50
51
52
53
54
55
56
57
58
59
60
61
62
63
64
65

2.7 qPCR Analysis

1
2 The immunoprecipitated DNA fragments of the CYP3A4 promoter and “input samples”
3
4 were analyzed by TaqMan real-time PCR (qPCR) using primers and TaqMan probes flanking
5
6 putative VDR binding motifs (Table 1; Fig. 5). PCR was performed in 45 cycles at 94°C for
7
8 15 s and 60°C for 45 s and the quantities of PCR products were determined using the Pfaffl’s
9
10 method [30] (for calculation of TaqMan qPCR efficiencies) and employing the
11
12 SABiosciences Quantitative Real-Time PCR Analysis of Chromatin Immunoprecipitation
13
14 Manual (<http://www.biomol.de/details/SA/chipqpcrmanual.pdf>). Data are presented as a
15
16 relative binding to the non-specific IgG background binding (100%) of a non-immune rabbit
17
18 IgG antibody and represent the mean \pm SD of at least three independent experiments.
19
20
21
22
23
24
25
26
27
28
29
30
31
32
33
34
35
36
37
38
39
40
41
42
43
44
45
46
47
48
49
50
51
52
53
54
55
56
57
58
59
60
61
62
63
64
65

Triplicate PCRs for each sample were carried out. The threshold cycle (Ct) values for IgG were greater than 35 and less than 0.01% of the input samples in all experiments.

2.8 qRT-PCR

qRT-PCR analyses of CYP3A4 mRNA expression in LS174T cells were performed as described elsewhere [29].

2.9 Statistical analysis

The one-way ANOVA followed by the Dunnett’s multiple comparison post hoc test or the unpaired Student’s *t* test were used for statistical analyses using GraphPad Prism software (GraphPad Software Inc., San Diego, CA). The two-way ANOVA with interaction was used to analyze the synergistic effect of 1,25OHvitD₃ and rifampicin in LS174T cells.

3. Results

3.1 Contribution and cooperation of major response elements in VDR- and PXR-mediated transactivation of the CYP3A4 gene in the LS174T intestinal cell line

First, we analyzed the relative contribution of the four major known response elements, CLEM4-ER6, DR3, eNR3A4 and prER6, and their cooperativity in the VDR-mediated transactivation of the CYP3A4 gene by 1,25OHvitD₃ and LCA in transient transfection experiments in LS174T cells. In parallel, PXR-mediated transactivation was analyzed in the same cell line.

The wild-type p(3A4-CLEM4/XREM/prox)-luc reporter construct conferred the highest basal and VDR-mediated inducible luciferase activation (Fig. 1A). Importantly, simultaneous mutations of DR3 and prER6 elements in the context of the wild-type p(3A4-CLEM4/XREM/prox)-luc construct (plasmid E) completely abolished the VDR ligand-mediated activation in the LS174T cells (Fig. 1A). These data imply that the DR3 and prER6 cis-acting elements are essential and dominantly control VDR-mediated CYP3A4 transactivation in LS174T intestinal cells. On the other hand, these results indicate that the CLEM4-ER6 element alone (or in combination with eNR3A4) does not significantly contribute to the VDR-mediated inducible transactivation of CYP3A4. In agreement, individual disruption of the CLEM4-ER6 motif (plasmid D) had a minor (not statistically significant) effect on 1,25OHvitD₃-induced VDR-mediated activation of the CYP3A4 reporter construct in LS174T cells (Fig. 1A). In contrast, we found that disruption of the CLEM4-ER6 motif (plasmid D) significantly ($p < 0.01$) suppressed transactivation of the CYP3A4 reporter construct by LCA (Fig. 1A).

1
2
3
4
5
6
7
8
9
10
11
12
13
14
15
16
17
18
19
20
21
22
23
24
25
26
27
28
29
30
31
32
33
34
35
36
37
38
39
40
41
42
43
44
45
46
47
48
49
50
51
52
53
54
55
56
57
58
59
60
61
62
63
64
65

In the next experiments, we examined PXR-mediated transactivation in LS174T cells. We observed that the disruption of all tested response elements abolished the PXR-mediated activation of the CYP3A4 reporter construct (plasmid C, Fig. 1B). Interestingly, we found that rifampicin activated the reporter constructs through all four response elements in a cooperative manner (Fig. 1B, Table 2), whereas LCA is not able to significantly transactivate CYP3A4 reporter constructs if the DR3 element is mutated (plasmids B, C, E, G, H, I; Fig. 1B). Moreover, rifampicin, but not LCA, produced activation of the construct B, thus suggesting involvement of the eNR3A4 element only in rifampicin-induced transactivation under these experimental conditions (Fig. 1B).

3.2 Contribution and cooperation of major response elements in VDR-mediated transactivation of the CYP3A4 gene in intestinal HCT-8, HT-29 and CACO-2 cell lines

Consistently with the data reported for the LS174T cells (Fig. 1A), we observed that simultaneous mutations of DR3 and prER6 elements in the context of the wild-type p(3A4-CLEM4/XREM/prox)-luc construct (plasmid E) completely abolished the VDR ligand-mediated activation of the construct in all tested intestinal cell lines (Fig. 2). These data strongly support the idea that the cooperation of DR3 and prER6 cis-acting elements is critical for the VDR-mediated CYP3A4 regulation in the intestinal cells. Mutation of the CLEM4-ER6 response element (plasmid D) had a minor (not statistically significant) effect on 1,25OHvitD₃-induced reporter construct activation in tested intestinal cell lines (Fig. 2). On the other hand, CLEM4-ER6 element might play a regulatory role and cooperate with DR3 and prER-6 elements in the LCA-induced VDR-mediated intestinal transactivation of CYP3A4, since the individual disruption of the element significantly ($p < 0.05$) decreased the activation of the CYP3A4 reporter construct (plasmid D.; Fig. 2A; see also Fig. 1A).

3.3 Contribution and cooperation of major response elements in VDR- and PXR-mediated transactivation of the CYP3A4 gene in the hepatocyte-derived HepG2 and MZ-Hep-1 cell lines

In HepG2 and MZ-Hep-1 cell lines, simultaneous disruption of DR3 and prER6 elements reduced >95% of the 1,25OHvitD₃-induced responsiveness of the construct E (Fig. 3A and C). Mutations of the CLEM4-ER6 and eNR3A4 sites diminished the residual inducibility by 1,25OHvitD₃ (plasmid C, Fig. 3A and C). These data demonstrate the central cooperative role of DR3 and prER6 elements and a minor role of CLEM4-ER6 and eNR3A4 elements in the VDR-mediated inducible transactivation of the CYP3A4 gene in the tested cell lines (Table 2).

In the case of PXR, we observed that all four PXR-binding sites together, are essential for the rifampicin-mediated inducible transactivation of the wild-type CYP3A4 luciferase reporter construct in hepatocyte cell lines (Fig. 3B and D; Table 2). In addition, we observed significant ($p<0.05$) activation of the plasmid C with mutations in all tested response elements, suggesting the involvement of a yet unknown functional PXR-binding cis-acting element of CYP3A4 gene (Fig. 3B and D).

3.4 Role of major response elements in basal transactivation of CYP3A4 in human intestinal and hepatocyte cell lines

Individual disruption of the CLEM4-ER6 motif reduced 40-80% of the basal luciferase activity in intestinal and hepatocyte cell lines (Fig. 1, 2 and 3; supplementary data). This finding suggests the crucial role of the CLEM4-ER6 element in basal (constitutive) CYP3A4 expression.

In agreement with the central role of prER6 element in the ligand-activated transactivation of CYP3A4 in intestinal cells (Table 2), the element was also found to regulate basal

1
2
3
4
5
6
7
8
9
10
11
12
13
14
15
16
17
18
19
20
21
22
23
24
25
26
27
28
29
30
31
32
33
34
35
36
37
38
39
40
41
42
43
44
45
46
47
48
49
50
51
52
53
54
55
56
57
58
59
60
61
62
63
64
65

activation of the wild-type CYP3A4 reporter construct in all of the tested intestinal cell lines (plasmid J, Fig. 1A and B, Fig. 2, supplementary data). The eNR3A4 motifs has a minor role and does not contribute to the baseline CYP3A4 transactivation in any tested cell line with high level of VDR (Table 2, Fig. 1A; Fig. 2; Fig. 3A and C; supplementary data).

3.5 Role of the CLEM4 module in VDR-mediated transactivation of the CYP3A4 gene

In order to further define the role of the CLEM4 region and the CLEM4-ER6 PXR-binding site in the VDR-mediated transactivation of CYP3A4 in intestinal cells, we generated the reporter construct lacking the CLEM4 region (plasmid X). At the same time, heterologous luciferase reporter plasmids p(CLEM4-ER6wt)-luc and p(CLEM4-ER6mut)-luc were constructed without natural proximal promoter and XREM regions. Deletion of the CLEM4 region from the wild-type p(3A4-CLEM4/XREM/prox)-luc construct significantly reduced the VDR-mediated activation by 1,25OHvitD₃ in intestinal LS174T cells (Fig. 4A). Disruption of the CLEM4-ER6 motif (plasmid D) resulted in even more pronounced decrease in activation after 1,25OHvitD₃ or rifampicin treatment in LS174T cells (Fig. 4A).

In the next experiments, we found that the wild-type p(CLEM4-ER6wt)-luc construct is significantly ($p < 0.05$) transactivated by 1,25OHvitD₃ (about 2-fold activation) and by rifampicin (4-fold activation) in LS174T cells (Fig. 4A). Disruption of CLEM4-ER6 in p(CLEM4-ER6wt)-luc reduced 1,25OHvitD₃-induced activation of the construct by about 60%; the residual activation of p(CLEM4-ER6mut)-luc was not statistically significant (Fig. 4A). Notably, p(CLEM-ER6mut)-luc reporter construct remained responsive to rifampicin treatment and the mutation of CLEM4-ER6 had no significant effect on rifampicin-mediated activation in intestinal LS174T cells, implying presence of a yet unknown PXR-binding site within CLEM4 region (Fig. 4A).

1
2 Next, we examined whether VDR, PXR and CAR transactivate the heterologous luciferase
3 reporter constructs p(CLEM4-ER6wt)-luc in HepG2 cells (Fig. 4B). We found that
4 1,25OHvitD₃ significantly activates the wild-type construct, but not the CLEM4-ER6 mutated
5 construct (Fig. 4B). In parallel with the data in LS174T cells (Fig. 4A), rifampicin activated
6 both the wild-type and CLEM4-ER6 mutated reporter constructs, although disruption of the
7 ER6 motif suppressed significantly both basal and inducible activities of the mutated reporter
8 plasmid (Fig. 4B). CITCO (500 nM), an agonist of CAR, slightly, but significantly ($p<0.05$),
9 activated the wild-type, but not the mutated reporter construct, suggesting interaction of
10 CAR/RXR α with the ER6 motif in the CLEM4 region (Fig. 4B).
11
12
13
14
15
16
17
18
19
20
21
22
23
24
25
26

27 The interactions between VDR/RXR α heterodimer and ER6 and eNR3A4 (DR4) motifs
28 were further examined using EMSA with in vitro-translated VDR and RXR α proteins (Fig.
29 4C). We found that VDR/RXR α heterodimer binds to the CLEM4-ER6 motif in EMSA
30 experiments *in vitro* (Fig. 4C.). However, we did not observe any significant interaction of *in*
31 *vitro* translated VDR/RXR α heterodimer with eNR3A4 probe (data not shown). On the other
32 hand, we confirmed that PXR/RXR α heterodimer binds the element employing EMSA assay
33 (data not shown) [23].
34
35
36
37
38
39
40
41
42
43
44
45
46

47 **3.6 Recruitment of VDR and RNA polymerase II (*PolII*), and evaluation of histone** 48 **H3 and H4 acetylation status in the regulatory regions of the CYP3A4 gene after the** 49 **treatment with 1,25OHvitD₃** 50 51

52 LS174T cells were used as a representative cell line for the chromatin immunoprecipitation
53 (ChIP) assay to analyze the recruitment of VDR and *PolIII* as well as changes of histone
54 acetylation in the CYP3A4 gene 5'-flanking region. Our results indicate that the treatment of
55
56
57
58
59
60
61
62
63
64
65

1
2
3
4
5
6
7
8
9
10
11
12
13
14
15
16
17
18
19
20
21
22
23
24
25
26
27
28
29
30
31
32
33
34
35
36
37
38
39
40
41
42
43
44
45
46
47
48
49
50
51
52
53
54
55
56
57
58
59
60
61
62
63
64
65

LS174T cells with 1,25OHvitD₃ results in significant ($p<0.05$) recruitment of VDR to the XREM and proximal promoter regions of the CYP3A4 gene, but not to the CLEM4 module (Fig. 5). Consistently, we observed significantly increased ($p<0.05$, about 2-fold) histone H3 acetylation within XREM and the proximal promoter, and significantly increased H4 acetylation within XREM, which is indicative of transcriptional activation at these regulatory regions (Fig. 5.). In contrast, acetylation status of H3 and H4 histones in the CLEM4 module was not significantly affected by 1,25OHvitD₃ treatment in LS174T cells (Fig. 5.).

In next experiments, *PolIII* occupancy of CLEM4 and XREM modules, and of the native proximal promoter of the CYP3A4 gene was analyzed. We observed about 2-fold increase in *PolIII* binding to XREM and proximal promoter regions after 1,25OHvitD₃ treatment (Fig. 5); however, the *PolIII* recruitment increase was not statistically different from the vehicle treated cells.

These data well correlate with the proposed dominant roles of DR3 and prER6 motifs in the VDR ligand-induced transactivation of CYP3A4 gene in intestinal cell lines in transient transfection experiments (Fig. 1A, Fig. 2.).

3.7 VDR and PXR cooperatively up-regulate intestinal CYP3A4 transactivation and CYP3A4 mRNA expression in intestinal LS174T cells.

Since both DR3 and prER6 responsive elements interact with VDR and PXR in intestinal cells (Fig. 1A, Fig. 2) and both receptors are expressed in the intestine [31], we investigated, whether VDR competes with PXR in the CYP3A4 gene regulation in the intestinal cells. We transfected LS174T cells with the wild-type p(3A4-CLEM4/XREM/prox)-luc construct and either an empty expression vector (control), expression vectors for VDR and PXR or their combinations. We observed that 1,25OHvitD₃ and rifampicin individually activates the reporter construct even in the absence of exogenous VDR or PXR cDNA suggesting sufficient

1
2
3
4
5
6
7
8
9
10
11
12
13
14
15
16
17
18
19
20
21
22
23
24
25
26
27
28
29
30
31
32
33
34
35
36
37
38
39
40
41
42
43
44
45
46
47
48
49
50
51
52
53
54
55
56
57
58
59
60
61
62
63
64
65

endogenous activities of VDR and PXR in LS174T cells [25, 27]. Importantly, the combination of 1,25OHvitD₃ and rifampicin synergistically increased ($p<0.05$, Two-way ANOVA) activation of the p(3A4-CLEM4/XREM/prox)-luc construct in LS174T cells (Fig. 6A). If we cotransfected LS174T cell with the reporter plasmid and PXR expression vector, the basal activation of the reporter construct was significantly ($p<0.01$) boosted by exogenous PXR, but the maximum 1,25OHvitD₃-mediated activation was not affected (Fig. 6A). Consequently, inducibility (fold activation) of the construct by 1,25OHvitD₃ (ligand-induced activation versus basal activation) was significantly suppressed ($p<0.05$) in PXR-transfected cells due to the increased basal activation (Fig. 6A). Cotransfection of LS174T cells with the expression vector for VDR did not boost the maximum 1,25OHvitD₃-induced activation suggesting high and saturated endogenous VDR activity in LS174T cell line.

In the next experiments, we examined competition of VDR with PXR NRs in the activation of the p(3A4-CLEM4/XREM/prox)-luc construct in intestinal LS174T cells by lithocholic and chenodeoxycholic acids (Fig. 6B). The primary bile acid chenodeoxycholic acid (CDCA) and the secondary bile acid lithocholic acid are common ligands for VDR [20], FXR [16], and PXR [32, 33]. LCA (10 and 50 μ M) significantly activated the reporter construct (4.5- and 9-fold, respectively) in the absence or in the presence of exogenous VDR cDNA, which again demonstrates high endogenous activity of VDR in LS174T cells (Fig. 6B). On the other hand, CDCA modestly (3-fold, $p<0.05$) activated the reporter construct only after cotransfection with FXR (data not shown). Cotransfection of PXR cDNA increased significantly ($p<0.01$) the basal activation of the reporter construct; however, had no significant effect on maximal activation of the construct by LCA (Fig. 6B). In agreement with the data in panel A, cotransfection of PXR significantly suppressed the LCA-mediated inducibility (fold induction to control) of the reporter construct in LS174T cells due to the

increase in basal activation (Fig. 6B).

1
2 In the next experiments, we investigated the effects of 1,25OHvitD₃, LCA and rifampicin
3 on CYP3A4 mRNA expression in LS174T cells. We found that the combination of
4 1,25OHvitD₃ and rifampicin synergistically ($p<0.05$; Two-way ANOVA) up-regulates
5 CYP3A4 mRNA in comparison with individual effects of 1,25OHvitD₃ and rifampicin (Fig.
6
7
8
9
10
11
12
13 6C).

14 Taken together, we detected no competition of VDR and PXR in transactivation of
15 CYP3A4 in intestinal LS174T cells. On the contrary, our data indicate that VDR and PXR
16
17
18
19
20
21
22
23
24
25
26
27
28
29
30
31
32
33
34
35
36
37
38
39
40
41
42
43
44
45
46
47
48
49
50
51
52
53
54
55
56
57
58
59
60
61
62
63
64
65
ligands could synergistically up-regulate intestinal CYP3A4 transactivation and CYP3A4
mRNA expression.

4. Discussion

1
2 In this study, we have identified prER6 and DR3 REs to be crucial for the VDR-mediated
3
4 inducible transactivation of the CYP3A4 gene in four model intestinal cell lines. On the other
5
6 hand, we show that the CLEM4-ER6 motif has a minor, and more likely modulatory, role
7
8 together with DR3 and prER6 REs in the intestinal VDR-mediated CYP3A4 gene expression.
9
10 The eNR3A4 motif is not involved in the regulation. In contrast, we demonstrate that the
11
12 eNR3A4 element might be indispensable in basal transactivation of CYP3A4 in both
13
14 intestinal and liver-derived cells and in rifampicin-induced transactivation in intestinal cells.
15
16 We thus demonstrate a specific VDR-mediated transactivation pattern of the CYP3A4 gene
17
18 by VDR ligands 1,25OHvitD₃ and LCA in four intestinal cell lines that differs from VDR-
19
20 mediated CYP3A4 transactivation in HepG2 and MZ-Hep-1 hepatocyte cell lines and from
21
22 PXR-mediated transactivation in human hepatocytes [23]. We also describe an LCA-specific
23
24 pattern of CYP3A4 transactivation through PXR in the LS174T intestinal cell line, which
25
26 does not involve the eNR3A4 motif, and an LCA-specific VDR-mediated transactivation in
27
28 intestinal cells, having a more pronounced role of the CLEM4-ER6 element in the regulation.
29
30 Finally, we show that VDR and PXR cooperate in transactivation and up-regulation of
31
32 CYP3A4 mRNA in intestinal LS174T cells.
33
34
35
36
37
38
39
40

41 A number of independent studies have examined the relative contribution of the individual
42
43 functional PXR/VDR-binding motifs CLEM4-ER6, DR3 (dNR1), prER6 (prPXRE) and
44
45 eNR3A4 (DR4) in the PXR-mediated transactivation of the CYP3A4 gene. In addition,
46
47 cooperativity between proximal and distal response elements has been shown to be central for
48
49 full PXR-, VDR- and CAR-mediated transactivation of CYP3A4 in hepatocytes and
50
51 hepatocyte-derived cell lines [6, 8, 10, 22, 23]. Nevertheless, no systematic study on
52
53 cooperativity of the four major binding sites in both basal and ligand-induced transactivation
54
55 has yet been reported. In addition, the role of the identified response elements in VDR-
56
57
58
59
60
61
62
63
64
65

1 mediated CYP3A4 transactivation has not been analyzed in the intestinal cells, although it has
2 been shown that VDR plays an important role as an intestinal bile acid receptor that
3 dominantly transactivates intestinal CYP3A4. Recent reports by Matsubara et al. and
4 Makishima et al. [20, 27] clearly demonstrate that LCA, a hydrophobic secondary bile acid
5 that is primarily formed in the intestine by the bacterial 7α -dehydroxylation of
6 chenodeoxycholic and ursodeoxycholic acids [34], is a potent VDR agonist and an intestine-
7 specific inducer of the CYP3A4 gene via VDR. Therefore, additional physiological function
8 of VDR has been postulated in the protection against the toxic and carcinogenic effects of the
9 secondary bile acids in the gut [20].
10
11
12
13
14
15
16
17
18
19
20

21 In the present paper, we report that the CLEM4-ER6 response element binds VDR/RXR α
22 heterodimer in vitro in EMSA assay (Fig. 4C). However, disruption of the CLEM4-ER6 motif
23 in the context of the wild-type p(3A4-CLEM4/XREM/prox)-luc CYP3A4 reporter construct
24 had only a minor effect on ligand-induced VDR-mediated activation in intestinal cells (Fig.
25 1A, Fig. 2). Moreover, the luciferase reporter construct E with the mutated DR3 and prER6
26 sites is not responsive to VDR ligands in any intestinal cell line (Fig. 1A and 2). Hence, we
27 suggest that the CLEM4-ER6 site has a rather modulatory and cooperative function together
28 with key DR3 and prER6 motifs in intestinal VDR-mediated transactivation of the CYP3A4
29 gene (Fig. 1A, Fig. 2, Table 2). Supporting that view, we found that the CLEM4-ER6 motif
30 does not significantly recruit VDR after treatment with $1,25\text{OHvitD}_3$ in LS174T cells in ChIP
31 experiments (Fig. 5). Thus, our data from transient transfection assays using various CYP3A4
32 gene promoter constructs well correlate with the ChIP data obtained under conditions of
33 native full-length and chromatinized CYP3A4 promoter.
34
35
36
37
38
39
40
41
42
43
44
45
46
47
48
49
50
51
52

53 Recently, a novel functional cis-acting PXR-binding element designated eNR3A4 has been
54 discovered to be an essential element for the rifampicin-inducible CYP3A4 transactivation in
55 HepG2 cells, in primary human hepatocytes, and in mice in vivo [23]. Herein, we show that
56
57
58
59
60
61
62
63
64
65

1 the motif has negligible or no effect on CYP3A4 transactivation through VDR (Fig. 1A, Fig.
2 2). In agreement with this, we observed that only PXR/RXR α , but not VDR/RXR α
3 heterodimer, binds to the element in EMSA experiments (data not shown). A slight ligand-
4 heterodimer, binds to the element in EMSA experiments (data not shown). A slight ligand-
5 independent effect of eNR3A4 mutation on the wild-type CYP3A4 reporter construct basal
6 activation in LS174T and to a much lesser extent in HepG2 cells cotransfected with VDR may
7 correlate with substantial endogenous PXR activity in the LS174T cell line (Fig. in
8 supplementary data). We thus suppose that the imperfect DR4-type eNR3A4 motif might be a
9 PXR-specific motif in CYP3A4 transactivation, although the most common VDR binding
10 sites are direct repeats of AGGTCA half-sites separated by three nucleotides (DR3) and
11 VDR/RXR α heterodimer can bind even more avidly to a DR4 element [36].
12
13
14
15
16
17
18
19
20
21
22
23

24 The ligand-activated gene transactivation by the nuclear receptors is dependent on dynamic
25 balance between the coactivators and corepressors. For some nuclear receptors, DNA site-
26 specific effects on transcription factor activity are linked to response element-specific
27 interactions with corepressors or coactivators. Moreover, the assembly of coactivator
28 complexes is itself a cell-specific process, with signal transduction pathways regulating the
29 composition of specific coactivator complex components by post-translational modifications
30 [35]. Thus, it is reasonable to speculate that the tissue-/cell-specific CYP3A4 transactivation
31 patterns and involvement of REs described in the study is consequence of tissue-specific
32 expression, activation and interaction of coactivators/corepressors with VDR and PXR. In
33 addition, we should consider involvement of tissue-enriched transcription factors such as
34 liver-enriched transcription factors (LEFTs - HNF4 α , HNF1 α , C/EBP α and β etc.) in
35 CYP3A4 transactivation [3, 4, 13].
36
37
38
39
40
41
42
43
44
45
46
47
48
49
50
51
52

53 In experiments with LCA, we found LCA-specific mechanisms of response elements
54 involvement and cooperation in the PXR- and VDR-mediated CYP3A4 transactivation in the
55 intestinal cells (Fig. 1A, Fig. 2A). In the case of VDR, this observation could be explained
56
57
58
59
60
61
62
63
64
65

1 based on the different recruitment of coactivators to VDR by 1,25OHvitD₃ and LCA [37]. In
2 support of this, the structure-function relationships of VDR and LCA revealed that LCA
3 interacts with different amino acids in the ligand binding domain (LBD) of VDR in
4 comparison with 1,25OHvitD₃ [38, 39].
5
6
7
8

9 LCA has been shown to interact with nuclear receptors PXR [32, 33], VDR [20] and FXR
10 [16]. Thus, we can suppose an interplay of the nuclear receptors in transactivation of intestinal
11 CYP3A4 by LCA. We therefore analyzed whether VDR and PXR compete in CYP3A4
12 transactivation in the intestinal cells. We found that VDR and PXR synergistically cooperate
13 in transactivation of the wild-type CYP3A4 reporter construct and in CYP3A4 mRNA up-
14 regulation in intestinal LS174T cells (Fig. 6). These findings contrast with the data for
15 hepatocarcinoma HepG2 cells reported by Drocourt and coworkers [10], who reported
16 competition between VDR and PXR and a dominant role of PXR in transactivation of the
17 p(3A4(XREM/-262/+11))-luc reporter construct. We suppose that the synergism of VDR and
18 PXR in the intestinal CYP3A4 regulation could be explained based on the combination of
19 VDR- and PXR-mediated regulation mechanisms in LS174T cells. We propose that in the
20 presence of PXR and VDR ligands *all* major regulatory motifs of CYP3A4 are activated and
21 simultaneously facilitate transactivation of CYP3A4 that results in its full induction.
22
23
24
25
26
27
28
29
30
31
32
33
34
35
36
37
38
39
40

41 Interestingly, disruption of the CLEM4-ER6 element did not abolish PXR-mediated
42 transactivation of the reporter construct with the CLEM4 sequence upstream of the minimal
43 promoter p(CLEM4-ER6mut)-luc (Fig. 4B), suggesting that the CLEM4 module might
44 include another yet undiscovered functional PXR-binding element. This hypothesis
45 corresponds to the data published by Liu et al. [22], who also found significant rifampicin-
46 mediated responsiveness of the 3A4-FmutP-luc reporter construct with a mutated CLEM4-
47 ER6 motif in Huh7 hepatocarcinoma cells. Consistent with the recent reports [21, 22], we
48 found that the CLEM4-ER6 site dominantly controls basal expression of the CYP3A4 gene in
49
50
51
52
53
54
55
56
57
58
59
60
61
62
63
64
65

1 liver-derived cells (Table 2; Fig. 3, supplementary data). In addition, we suppose that the
2 motif might also contribute to basal CYP3A4 expression in intestinal cell lines (Table 2;
3 supplementary data).
4
5

6
7 Although we observed a very consistent pattern of VDR-mediated CYP3A4 transactivation
8 in four model intestinal cell lines and our data well correlate to the data reported for the Huh7
9 hepatocarcinoma cell line, in primary human hepatocytes or in vivo in C57BL/6 mice [21-23,
10 27], additional ChIP and gene reporter experiments performed in both primary intestinal cells
11 and in animals, that are beyond the scope of this study, will be needed to further support the
12 conclusions of the study.
13
14
15
16
17
18
19
20

21 In summary, we comprehensively characterize the involvement and cooperativity of major
22 cis-acting response elements in the VDR-mediated intestinal CYP3A4 gene transactivation
23 and describe synergistic interaction of VDR and PXR in transactivation of CYP3A4 in model
24 intestinal cells.
25
26
27
28
29
30
31
32
33
34
35
36
37
38
39
40
41
42
43
44
45
46
47
48
49
50
51
52
53
54
55
56
57
58
59
60
61
62
63
64
65

Acknowledgements

1
2 Authors wish to thank Dr. S. Kliewer, Dr. M. Negishi and Dr. C. Carlberg for providing the
3
4
5 PXR, FXR, CAR, VDR and RXR α expression plasmids.
6

7 This work was supported by the Czech Scientific Agency (grant no. 303/07/0128 to Petr
8
9
10
11
12
13
14
15
16
17
18
19
20
21
22
23
24
25
26
27
28
29
30
31
32
33
34
35
36
37
38
39
40
41
42
43
44
45
46
47
48
49
50
51
52
53
54
55
56
57
58
59
60
61
62
63
64
65
66
67
68
69
70
71
72
73
74
75
76
77
78
79
80
81
82
83
84
85
86
87
88
89
90
91
92
93
94
95
96
97
98
99
100
101
102
103
104
105
106
107
108
109
110
111
112
113
114
115
116
117
118
119
120
121
122
123
124
125
126
127
128
129
130
131
132
133
134
135
136
137
138
139
140
141
142
143
144
145
146
147
148
149
150
151
152
153
154
155
156
157
158
159
160
161
162
163
164
165
166
167
168
169
170
171
172
173
174
175
176
177
178
179
180
181
182
183
184
185
186
187
188
189
190
191
192
193
194
195
196
197
198
199
200
201
202
203
204
205
206
207
208
209
210
211
212
213
214
215
216
217
218
219
220
221
222
223
224
225
226
227
228
229
230
231
232
233
234
235
236
237
238
239
240
241
242
243
244
245
246
247
248
249
250
251
252
253
254
255
256
257
258
259
260
261
262
263
264
265
266
267
268
269
270
271
272
273
274
275
276
277
278
279
280
281
282
283
284
285
286
287
288
289
290
291
292
293
294
295
296
297
298
299
300
301
302
303
304
305
306
307
308
309
310
311
312
313
314
315
316
317
318
319
320
321
322
323
324
325
326
327
328
329
330
331
332
333
334
335
336
337
338
339
340
341
342
343
344
345
346
347
348
349
350
351
352
353
354
355
356
357
358
359
360
361
362
363
364
365
366
367
368
369
370
371
372
373
374
375
376
377
378
379
380
381
382
383
384
385
386
387
388
389
390
391
392
393
394
395
396
397
398
399
400
401
402
403
404
405
406
407
408
409
410
411
412
413
414
415
416
417
418
419
420
421
422
423
424
425
426
427
428
429
430
431
432
433
434
435
436
437
438
439
440
441
442
443
444
445
446
447
448
449
450
451
452
453
454
455
456
457
458
459
460
461
462
463
464
465
466
467
468
469
470
471
472
473
474
475
476
477
478
479
480
481
482
483
484
485
486
487
488
489
490
491
492
493
494
495
496
497
498
499
500
501
502
503
504
505
506
507
508
509
510
511
512
513
514
515
516
517
518
519
520
521
522
523
524
525
526
527
528
529
530
531
532
533
534
535
536
537
538
539
540
541
542
543
544
545
546
547
548
549
550
551
552
553
554
555
556
557
558
559
560
561
562
563
564
565
566
567
568
569
570
571
572
573
574
575
576
577
578
579
580
581
582
583
584
585
586
587
588
589
590
591
592
593
594
595
596
597
598
599
600
601
602
603
604
605
606
607
608
609
610
611
612
613
614
615
616
617
618
619
620
621
622
623
624
625
626
627
628
629
630
631
632
633
634
635
636
637
638
639
640
641
642
643
644
645
646
647
648
649
650
651
652
653
654
655
656
657
658
659
660
661
662
663
664
665
666
667
668
669
670
671
672
673
674
675
676
677
678
679
680
681
682
683
684
685
686
687
688
689
690
691
692
693
694
695
696
697
698
699
700
701
702
703
704
705
706
707
708
709
710
711
712
713
714
715
716
717
718
719
720
721
722
723
724
725
726
727
728
729
730
731
732
733
734
735
736
737
738
739
740
741
742
743
744
745
746
747
748
749
750
751
752
753
754
755
756
757
758
759
760
761
762
763
764
765
766
767
768
769
770
771
772
773
774
775
776
777
778
779
780
781
782
783
784
785
786
787
788
789
790
791
792
793
794
795
796
797
798
799
800
801
802
803
804
805
806
807
808
809
810
811
812
813
814
815
816
817
818
819
820
821
822
823
824
825
826
827
828
829
830
831
832
833
834
835
836
837
838
839
840
841
842
843
844
845
846
847
848
849
850
851
852
853
854
855
856
857
858
859
860
861
862
863
864
865
866
867
868
869
870
871
872
873
874
875
876
877
878
879
880
881
882
883
884
885
886
887
888
889
890
891
892
893
894
895
896
897
898
899
900
901
902
903
904
905
906
907
908
909
910
911
912
913
914
915
916
917
918
919
920
921
922
923
924
925
926
927
928
929
930
931
932
933
934
935
936
937
938
939
940
941
942
943
944
945
946
947
948
949
950
951
952
953
954
955
956
957
958
959
960
961
962
963
964
965
966
967
968
969
970
971
972
973
974
975
976
977
978
979
980
981
982
983
984
985
986
987
988
989
990
991
992
993
994
995
996
997
998
999
1000

Jaroslav Blahos) and AV0Z50520514 awarded by the Academy of Sciences of the Czech
Republic.

5. References

- 1
2 [1] Li AP, Kaminski DL, Rasmussen A. Substrates of human hepatic cytochrome P450
3
4 3A4. *Toxicology* 1995;104:1-8.
5
6
7 [2] Finta C, Zaphiropoulos PG. The human cytochrome P450 3A locus. Gene evolution
8
9 by capture of downstream exons. *Gene* 2000;260:13-23.
10
11 [3] Martinez-Jimenez CP, Jover R, Donato MT, Castell JV, Gomez-Lechon MJ.
12
13 Transcriptional regulation and expression of CYP3A4 in hepatocytes. *Curr Drug*
14
15 *Metab* 2007;8:185-94.
16
17
18 [4] Tegude H, Schnabel A, Zanger UM, Klein K, Eichelbaum M, Burk O. Molecular
19
20 mechanism of basal CYP3A4 regulation by hepatocyte nuclear factor 4alpha: evidence
21
22 for direct regulation in the intestine. *Drug Metab Dispos* 2007;35:946-54.
23
24
25 [5] Bertilsson G, Heidrich J, Svensson K, Asman M, Jendeberg L, Sydow-Backman M, et
26
27 al. Identification of a human nuclear receptor defines a new signaling pathway for
28
29 CYP3A induction. *Proc Natl Acad Sci U S A* 1998;95:12208-13.
30
31
32 [6] Goodwin B, Hodgson E, Liddle C. The orphan human pregnane X receptor mediates
33
34 the transcriptional activation of CYP3A4 by rifampicin through a distal enhancer
35
36 module. *Mol Pharmacol* 1999;56:1329-39.
37
38
39 [7] Lehmann JM, McKee DD, Watson MA, Willson TM, Moore JT, Kliewer SA. The
40
41 human orphan nuclear receptor PXR is activated by compounds that regulate CYP3A4
42
43 gene expression and cause drug interactions. *J Clin Invest* 1998;102:1016-23.
44
45
46 [8] Goodwin B, Hodgson E, D'Costa DJ, Robertson GR, Liddle C. Transcriptional
47
48 regulation of the human CYP3A4 gene by the constitutive androstane receptor. *Mol*
49
50 *Pharmacol* 2002;62:359-65.
51
52
53
54
55
56
57
58
59
60
61
62
63
64
65

- 1
2
3
4
5
6
7
8
9
10
11
12
13
14
15
16
17
18
19
20
21
22
23
24
25
26
27
28
29
30
31
32
33
34
35
36
37
38
39
40
41
42
43
44
45
46
47
48
49
50
51
52
53
54
55
56
57
58
59
60
61
62
63
64
65
- [9] Xie W, Barwick JL, Simon CM, Pierce AM, Safe S, Blumberg B, et al. Reciprocal activation of xenobiotic response genes by nuclear receptors SXR/PXR and CAR. *Genes Dev* 2000;14:3014-23.
- [10] Drocourt L, Ourlin JC, Pascussi JM, Maurel P, Vilarem MJ. Expression of CYP3A4, CYP2B6, and CYP2C9 is regulated by the vitamin D receptor pathway in primary human hepatocytes. *J Biol Chem* 2002;277:25125-32.
- [11] Thummel KE, Brimer C, Yasuda K, Thottassery J, Senn T, Lin Y, et al. Transcriptional control of intestinal cytochrome P-4503A by 1 α ,25-dihydroxy vitamin D₃. *Mol Pharmacol* 2001;60:1399-406.
- [12] Pascussi JM, Drocourt L, Gerbal-Chaloin S, Fabre JM, Maurel P, Vilarem MJ. Dual effect of dexamethasone on CYP3A4 gene expression in human hepatocytes. Sequential role of glucocorticoid receptor and pregnane X receptor. *Eur J Biochem* 2001;268:6346-58.
- [13] Tirona RG, Lee W, Leake BF, Lan LB, Cline CB, Lamba V, et al. The orphan nuclear receptor HNF4 α determines PXR- and CAR-mediated xenobiotic induction of CYP3A4. *Nat Med* 2003;9:220-4.
- [14] Wolbold R, Klein K, Burk O, Nussler AK, Neuhaus P, Eichelbaum M, et al. Sex is a major determinant of CYP3A4 expression in human liver. *Hepatology* 2003;38:978-88.
- [15] Lin JH. CYP induction-mediated drug interactions: in vitro assessment and clinical implications. *Pharm Res* 2006;23:1089-116.
- [16] Makishima M, Okamoto AY, Repa JJ, Tu H, Learned RM, Luk A, et al. Identification of a nuclear receptor for bile acids. *Science* 1999;284:1362-5.

- 1
2
3
4
5
6
7
8
9
10
11
12
13
14
15
16
17
18
19
20
21
22
23
24
25
26
27
28
29
30
31
32
33
34
35
36
37
38
39
40
41
42
43
44
45
46
47
48
49
50
51
52
53
54
55
56
57
58
59
60
61
62
63
64
65
- [17] Pavek P, Dvorak Z. Xenobiotic-induced transcriptional regulation of xenobiotic metabolizing enzymes of the cytochrome P450 superfamily in human extrahepatic tissues. *Curr Drug Metab* 2008;9:129-43.
- [18] Barwick JL, Quattrochi LC, Mills AS, Potenza C, Tukey RH, Guzelian PS. Trans-species gene transfer for analysis of glucocorticoid-inducible transcriptional activation of transiently expressed human CYP3A4 and rabbit CYP3A6 in primary cultures of adult rat and rabbit hepatocytes. *Mol Pharmacol* 1996;50:10-6.
- [19] Blumberg B, Sabbagh W, Jr., Juguilon H, Bolado J, Jr., van Meter CM, Ong ES, et al. SXR, a novel steroid and xenobiotic-sensing nuclear receptor. *Genes Dev* 1998;12:3195-205.
- [20] Makishima M, Lu TT, Xie W, Whitfield GK, Domoto H, Evans RM, et al. Vitamin D receptor as an intestinal bile acid sensor. *Science* 2002;296:1313-6.
- [21] Matsumura K, Saito T, Takahashi Y, Ozeki T, Kiyotani K, Fujieda M, et al. Identification of a novel polymorphic enhancer of the human CYP3A4 gene. *Mol Pharmacol* 2004;65:326-34.
- [22] Liu FJ, Song X, Yang D, Deng R, Yan B. The far and distal enhancers in the CYP3A4 gene co-ordinate the proximal promoter in responding similarly to the pregnane X receptor but differentially to hepatocyte nuclear factor-4alpha. *Biochem J* 2008;409:243-50.
- [23] Toriyabe T, Nagata K, Takada T, Aratsu Y, Matsubara T, Yoshinari K, et al. Unveiling a new essential cis-element for the transactivation of the CYP3A4 gene by xenobiotics. *Mol Pharmacol* 2008.
- [24] Burk O, Arnold KA, Nussler AK, Schaeffeler E, Efimova E, Avery BA, et al. Antimalarial artemisinin drugs induce cytochrome P450 and MDR1 expression by

- 1
2
3
4
5
6
7
8
9
10
11
12
13
14
15
16
17
18
19
20
21
22
23
24
25
26
27
28
29
30
31
32
33
34
35
36
37
38
39
40
41
42
43
44
45
46
47
48
49
50
51
52
53
54
55
56
57
58
59
60
61
62
63
64
65
- activation of xenosensors pregnane X receptor and constitutive androstane receptor.
Mol Pharmacol 2005;67:1954-65.
- [25] Cerveny L, Svecova L, Anzenbacherova E, Vrzal R, Staud F, Dvorak Z, et al. Valproic acid induces CYP3A4 and MDR1 gene expression by activation of constitutive androstane receptor and pregnane X receptor pathways. Drug Metab Dispos 2007;35:1032-41.
- [26] Cui M, Klopot A, Jiang Y, Fleet JC. The effect of differentiation on 1,25 dihydroxyvitamin D-mediated gene expression in the enterocyte-like cell line, Caco-2. J Cell Physiol 2009;218:113-21.
- [27] Matsubara T, Yoshinari K, Aoyama K, Sugawara M, Sekiya Y, Nagata K, et al. Role of vitamin D receptor in the lithocholic acid-mediated CYP3A induction in vitro and in vivo. Drug Metab Dispos 2008;36:2058-63.
- [28] Thompson PD, Jurutka PW, Whitfield GK, Myskowski SM, Eichhorst KR, Dominguez CE, et al. Liganded VDR induces CYP3A4 in small intestinal and colon cancer cells via DR3 and ER6 vitamin D responsive elements. Biochem Biophys Res Commun 2002;299:730-8.
- [29] Svecova L, Vrzal R, Burysek L, Anzenbacherova E, Cerveny L, Grim J, et al. Azole antimycotics differentially affect rifampicin-induced pregnane X receptor-mediated CYP3A4 gene expression. Drug Metab Dispos 2008;36:339-48.
- [30] Pfaffl MW. A new mathematical model for relative quantification in real-time RT-PCR. Nucleic Acids Res 2001;29:e45.
- [31] Berger U, Wilson P, McClelland RA, Colston K, Haussler MR, Pike JW, et al. Immunocytochemical detection of 1,25-dihydroxyvitamin D receptors in normal human tissues. J Clin Endocrinol Metab 1988;67:607-13.

- 1
2
3
4
5
6
7
8
9
10
11
12
13
14
15
16
17
18
19
20
21
22
23
24
25
26
27
28
29
30
31
32
33
34
35
36
37
38
39
40
41
42
43
44
45
46
47
48
49
50
51
52
53
54
55
56
57
58
59
60
61
62
63
64
65
- [32] Xie W, Radomska-Pandya A, Shi Y, Simon CM, Nelson MC, Ong ES, et al. An essential role for nuclear receptors SXR/PXR in detoxification of cholestatic bile acids. *Proc Natl Acad Sci U S A* 2001;98:3375-80.
- [33] Staudinger JL, Goodwin B, Jones SA, Hawkins-Brown D, MacKenzie KI, LaTour A, et al. The nuclear receptor PXR is a lithocholic acid sensor that protects against liver toxicity. *Proc Natl Acad Sci U S A* 2001;98:3369-74.
- [34] Hofmann AF. Detoxification of lithocholic acid, a toxic bile acid: relevance to drug hepatotoxicity. *Drug metabolism reviews* 2004;36:703-22.
- [35] Rosenfeld MG, Lunyak VV, Glass CK. Sensors and signals: a coactivator/corepressor/epigenetic code for integrating signal-dependent programs of transcriptional response. *Genes Dev* 2006;20:1405-28.
- [36] Quack M, Carlberg C. Ligand-triggered stabilization of vitamin D receptor/retinoid X receptor heterodimer conformations on DR4-type response elements. *Journal of molecular biology* 2000;296:743-56.
- [37] Jurutka PW, Thompson PD, Whitfield GK, Eichhorst KR, Hall N, Dominguez CE, et al. Molecular and functional comparison of 1,25-dihydroxyvitamin D(3) and the novel vitamin D receptor ligand, lithocholic acid, in activating transcription of cytochrome P450 3A4. *Journal of cellular biochemistry* 2005;94:917-43.
- [38] Adachi R, Shulman AI, Yamamoto K, Shimomura I, Yamada S, Mangelsdorf DJ, et al. Structural determinants for vitamin D receptor response to endocrine and xenobiotic signals. *Mol Endocrinol* 2004;18:43-52.
- [39] Choi M, Yamamoto K, Itoh T, Makishima M, Mangelsdorf DJ, Moras D, et al. Interaction between vitamin D receptor and vitamin D ligands: two-dimensional alanine scanning mutational analysis. *Chemistry & biology* 2003;10:261-70.

1
2
3
4
5
6
7
8
9
10
11
12
13
14
15
16
17
18
19
20
21
22
23
24
25
26
27
28
29
30
31
32
33
34
35
36
37
38
39
40
41
42
43
44
45
46
47
48
49
50
51
52
53
54
55
56
57
58
59
60
61
62
63
64
65

Footnotes

* Corresponding author

Accepted Manuscript

Legends for Figures

1
2 **Fig. 1. Involvement and cooperativity of major VDR and PXR response elements in**
3 **transcriptional regulation of the CYP3A4 gene in the human intestinal LS174T cell line.**

4
5
6
7 Transactivation of the wild-type CYP3A4 luciferase reporter gene construct and its mutants
8
9 was examined in transiently transfected intestinal LS174T cells co-transfected with pSG5-
10
11 hVDR (A.) or pSG5-hPXR (B.) expression vectors. pRL-TK control plasmid was used for
12
13 transfection normalization. Transfected cells were maintained in a medium containing
14
15 1,25OHvitD₃ (10 nM), lithocholic acid (LCA, 50µM) or rifampicin (10 µM) for 24 h. After
16
17 incubation, the cells were lysed and analyzed for both firefly and Renilla luciferase activities.
18
19
20
21 Firefly luciferase activity was normalized to Renilla activity and expressed as fold activation
22
23 of vehicle-treated cells transfected with the wild-type construct (A). All means ± S.D. were
24
25 calculated from quadruplicates of a representative experiment. **p*<0.05, ***p*<0.01 -
26
27 statistically different from the vehicle-treated cells transfected with the same luciferase
28
29 reporter construct. Numbers indicate fold induction to vehicle-treated cells transfected with
30
31 the same construct. §*p*<0.01- statistically different from the LCA-treated cells transfected with
32
33 the wild-type construct (A). N.S. - not statistically significant.
34
35
36
37
38
39
40
41

42 **Fig. 2. Involvement and cooperativity of major response elements in transcriptional**
43 **regulation of the CYP3A4 gene through VDR nuclear receptor in human intestinal**
44 **HCT-8, HT-29 and CACO-2 cell lines.** Transactivation of the wild-type CYP3A4 luciferase
45
46 reporter gene construct and its mutants was examined in transiently transfected intestinal
47
48 HCT-8 (A.), HT-29 (B.) and CACO-2 (C.) cell lines co-transfected with pSG5-hVDR
49
50 expression vector. pRL-TK control plasmid was used for transfection normalization.
51
52
53 Transfected cells were maintained in a medium containing 1,25OHvitD₃ (10 nM) or
54
55 lithocholic acid (LCA, 50µM) for 24 h. After incubation, the cells were lysed and analyzed
56
57
58
59
60
61
62
63
64
65

1
2
3
4
5
6
7
8
9
10
11
12
13
14
15
16
17
18
19
20
21
22
23
24
25
26
27
28
29
30
31
32
33
34
35
36
37
38
39
40
41
42
43
44
45
46
47
48
49
50
51
52
53
54
55
56
57
58
59
60
61
62
63
64
65

for both firefly and Renilla luciferase activities. Firefly luciferase activity was normalized to Renilla activity and expressed as fold activation of vehicle-treated cells transfected with the wild-type construct (A). All means \pm S.D. were calculated from quadruplicates of a representative experiment. * p <0.05 - statistically different from the vehicle-treated cells transfected with the same luciferase reporter construct. § p <0.05 - statistically different from the LCA-treated cells transfected with the wild-type construct (A). N.S. - not statistically significant.

Fig. 3. Involvement and cooperativity of major response elements in transcriptional regulation of the CYP3A4 gene through VDR and PXR nuclear receptors in the human hepatocyte-derived HepG2 and MZ-Hep-1 cell lines. Transactivation of the wild-type CYP3A4 luciferase reporter gene construct and its mutants was examined in transiently transfected HepG2 (A.,B.) and MZ-Hep-1 (C.,D.) cell lines co-transfected with pSG5-hVDR (A.,C.) or pSG5-hPXR (B.,D.) expression vectors. pRL-TK control plasmid was used for transfection normalization. Transfected cells were maintained in a medium containing 1,25OHvitD₃ (10 nM) or rifampicin (10 μ M) for 24 h. After incubation, the cells were lysed and analyzed for both firefly and Renilla luciferase activities. Firefly luciferase activity was normalized to Renilla activity and expressed as fold activation of vehicle-treated cells transfected with the wild-type construct A. All means \pm S.D. were calculated from quadruplicates of a representative experiment. * p <0.05, ** p <0.01 - statistically different from the vehicle-treated cells transfected with the same luciferase reporter construct. N.S.- not statistically significant.

Fig. 4. Involvement of CLEM4 in transcriptional regulation of the CYP3A4 gene via VDR and PXR nuclear receptors in the intestinal LS174T and HepG2 cell lines.

1
2
3
4
5
6
7
8
9
10
11
12
13
14
15
16
17
18
19
20
21
22
23
24
25
26
27
28
29
30
31
32
33
34
35
36
37
38
39
40
41
42
43
44
45
46
47
48
49
50
51
52
53
54
55
56
57
58
59
60
61
62
63
64
65

Transactivation of the wild-type and mutated CYP3A4 luciferase reporter plasmids was examined in transiently transfected intestinal LS174T (A.) or HepG2 (B.) cells co-transfected with pSG5-hVDR, pSG5-hPXR or pCR3-hCAR expression vectors and treated with either 1,25OHvitD₃ (10 nM), rifampicin (10 μM) or CITCO (0.5 μM, an agonist of hCAR) for 24 h. Data are expressed as fold activation of vehicle-treated cells transfected with the wild-type reporter construct A or p(CLEM4-ER6wt)-luc plasmid and co-transfected with the appropriate expression vector. All means ± S.D. were calculated from quadruplicates of a representative experiment and analyzed using ANOVA followed by Dunnett's test. **p*<0.05; ***p*<0.01; ****p*<0.001- statistically different from vehicle-treated cells co-transfected the same luciferase reporter and nuclear receptor expression constructs. C. Electrophoretic mobility shift assay (EMSA) with *in vitro* translated VDR/RXRα proteins was performed with the 5'-biotinylated probes for the ER6-CLEM4 motif as described under Material and Methods. VDR/RXRα complex in the reaction mixture was incubated with 1,25OHvitD₃ (10 nM) for 30 min. For supershift experiments, 1 μg of the anti-RXRα rabbit polyclonal IgG antibody was added to the reaction mixture. Unlabelled double-stranded probe was used as a competitor (100×).

Fig. 5. Recruitments of VDR and RNA Polymerase II (*PolIII*) and changes of histone acetylation in the CYP3A4 gene regulatory regions in response to 1,25OHvitD₃ treatment in LS174T cells. Chromatin immunoprecipitation (ChIP) assay was performed to analyze the association of VDR and changes of histone H3 and H4 acetylation within the major regulatory modules of the CYP3A4 gene. Immunoprecipitated DNA fragments extracted from LS174T cells treated with 10 nM 1,25OHvitD₃ for 4 h were analyzed by qPCR with specific primer pairs and TaqMan probes that detect the individual regions of the CYP3A4 gene promoter (shown in upper panel). Data are presented as a relative binding to

1 the nonspecific signal of a non-immune rabbit IgG antibody (100%) and are presented as the
2 mean \pm SD of at least three independent experiments. * p <0.05 - statistically different from
3
4 vehicle-treated cells.
5
6
7
8
9

10 **Fig. 6. VDR and PXR cooperatively up-regulate intestinal CYP3A4 transactivation and**

11 **CYP3A4 mRNA expression in intestinal LS174T cells. (A.)** Transactivation of the wild-

12 type CYP3A4 luciferase reporter plasmid (construct A) in LS174T cells cotransfected with
13 either VDR or PXR expression vector or their combinations and treated with 1,25OHvitD₃
14 (10 nM) or rifampicin (Rif, 10 μ M) for 24 h. (B.) Transactivation of the wild-type CYP3A4
15
16 luciferase reporter plasmid in LS174T cells cotransfected with VDR and PXR nuclear
17
18 receptor expression plasmids and treated with lithocholic acid (LCA)(10 or 50 μ M) or with
19
20 secondary bile acid chenodeoxycholic acid (CDCA) (50 μ M) for 24 h. After incubation with
21
22 the tested compounds, the cells were lysed and analyzed for both firefly and Renilla luciferase
23
24 activities as described under Material and Methods. Data are expressed as fold activation over
25
26 vehicle-treated and an empty expression vector (mock)-transfected cells (control). All means
27
28 \pm S.D. were calculated from quadruplicates of a representative experiment and analyzed using
29
30 ANOVA followed by Dunnett's test. * p <0.05; ** p <0.01; *** p <0.001 - statistically different
31
32 from vehicle-treated cells co-transfected with the same expression vector or combination of
33
34 expression vectors; [#] p <0.01 - statistically different from vehicle-treated mock-transfected
35
36 cells (control); [#] p <0.05 - statistically significant synergism of 1,25OHvitD₃ and rifampicin in
37
38 the CYP3A4 reporter construct activation (Two-way ANOVA); [§] p <0.05 - statistically
39
40 significant suppression of a ligand-mediated inducibility (fold activation) in comparison with
41
42 the effect of the same compound in mock-transfected cells.
43
44
45
46
47
48
49
50
51
52
53
54
55
56

57 **C. qRT-PCR analysis of CYP3A4 mRNA expression in intestinal LS174T cells after**
58
59 treatment with 1,25OHvitD₃ and rifampicin. LS174T cells were exposed to 10 nM
60
61
62
63
64
65

1
2
3
4
5
6
7
8
9
10
11
12
13
14
15
16
17
18
19
20
21
22
23
24
25
26
27
28
29
30
31
32
33
34
35
36
37
38
39
40
41
42
43
44
45
46
47
48
49
50
51
52
53
54
55
56
57
58
59
60
61
62
63
64
65

1,25OHvitD₃, 50 μM lithocholic acid (LCA), rifampicin (Rif, 10 μM) or the combination of 1,25OHvitD₃ and rifampicin for 24 h. mRNA expression of CYP3A4 gene was determined using real-time qRT-PCR and normalized to a HPRT housekeeping gene. The effect of the tested compounds on mRNA expression is presented as fold induction to control vehicle-treated cells. Data are presented as the means ± S.D. of three individual cell samples. ** $p < 0.01$; *** $p < 0.001$ - statistically different from vehicle-treated cells; # $p < 0.05$ - statistically significant synergism of 1,25OHvitD₃ and rifampicin in the CYP3A4 mRNA induction (Two-way ANOVA).

Script

Graphical abstract

Pavek et al. BCP 2009

VDR-mediated transactivation of CYP3A4 in intestinal LS174T cells

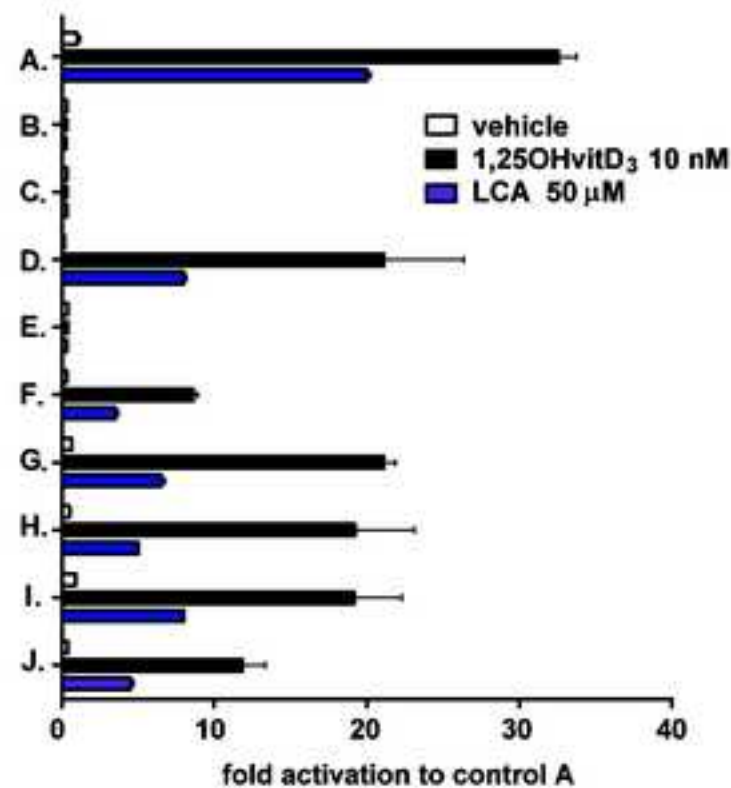
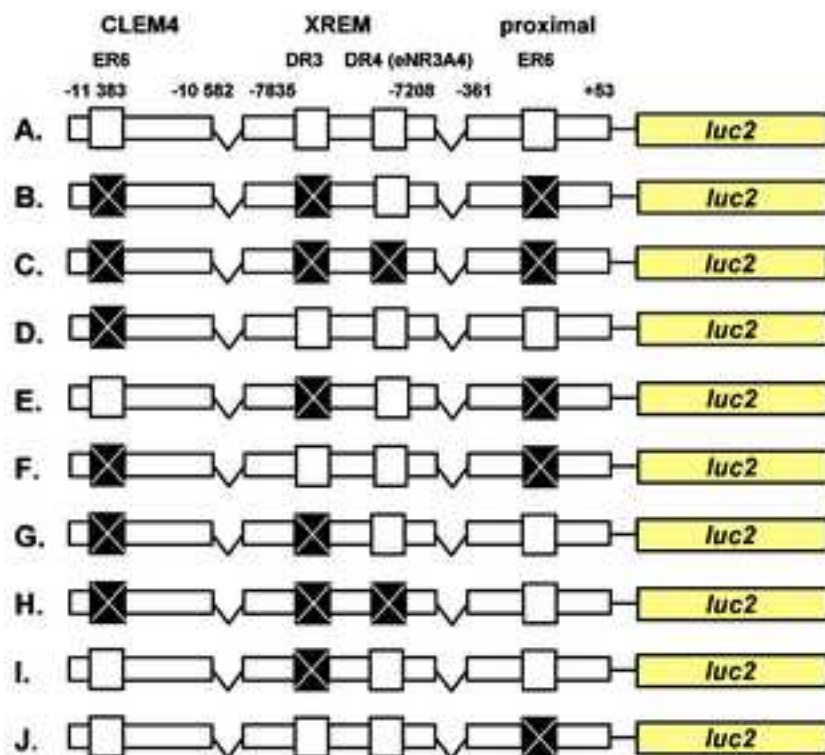


Table 1. Sequences of primers, probes and oligonucleotides*.

PCR		
3A4 -11.4sKpnI	5'-CTTGGTAC/CGTAGTCGTTAGAATCTGAAC-3'	
3A4 -10.5SacI	5'-AGCTCCTTTGGGAGGGAAA-3'	
Mutagenesis		
prER6 mut forward	5'-CCTCATAGAATAT <u>TGTTCTCAAAGGAGAA</u> CAGTGAGTGG-3'	
prER6mut reverse	5'-CCACTCACTG <u>TTC</u> CTCCTTTGAGAA CA TATTCTATGAGG-3'	
DR3(XREM)mut forward	5'-GATCTCAGCTGAA <u>AGCAT</u> TTTGCTGACCCTCTGC-3'	
DR3(XREM)mut reverse	5'-GCAGAGGGT CA GCAA <u>ATGCT</u> TTTCAGCTGAGATC-3'	
CLEM4(ER6)mut forward	5'-TAGTCGTTAGAATCTG <u>TTC</u> CTTCCTGAAGAA CA TGTGCAAAGTTGAG-3'	
CLEM4(ER6)mut reverse	5'-CTCAACTTTGCACATG <u>TTC</u> CTTCAGGAAGAA CA GATTCTAACGACTA-3'	
eNR3A4mut α forward	5'-CAGTGATTATTAACCT <u>CTCGAG</u> GTGTTGACCCAGGTGAATCAC-3'	
eNR3A4mut α reverse	5'-GTGATTCACCTGGGGTCAACAC <u>CTCGAG</u> AGGTTTAATAATCACTG-3'	
ChIP		
CYP3A4 CLEM4 region		
Forward	5'- CCTAATAATGTGTTTTGGGGTAA-3'	
Reverse	5'- TTCAACAAGGATTATGCCAG -3'	aplicon 132 bp (ER6-CLEM4)
Probe BHQ1-FAM	5'- CTCAACCTGTCTGCAGTAGTCGT-3'	
CYP3A4 XREM region		
Forward	5'- TCAAAGAACTCATGTCCCAA-3'	
Reverse	5'- AGTTCAGCTTGTGATTCACCT-3'	
Probe BHQ1-FAM	5'- CCAGCCTCTCGGTGCCC-3'	aplicon 132 bp (dNR1-DR3), dNR2, eNR3A4 (DR4)
CYP3A4 proximal promoter		
Forward	5'- TGATAAGAACCCAGAACCCT-3'	
Reverse	5'- GGTCAGTGAGTGGTGTGTG-3'	
Probe BHQ1-FAM	5'- GGACTCCCCAGTAACATTGATTG-3'	aplicon 102 bp (prER6)
EMSA		
eNR3A4 forward	5'-(biotin) ACCTTGTCCTGTGTTGACCCAGG-3'	
eNR3A4 reverse	5'-(biotin) CCTGGGGTCAACACAGGACAAGGT-3'	
ER6 (CLEM4) forward	5'-(biotin) AGAATCTGAACTTCCTGAAGTTCATGTGCA-3'	
ER6 (CLEM4) reverse	5'-(biotin) TGCACATGAACTTCAGGAAGTTCAGATTCT-3'	

*Bold bases indicate receptor binding sites and underlined bases were changed to disrupt nuclear hormone receptor binding.

Table 2. Schematic roles of four major response elements in both basal and ligand-inducible VDR- and PXR- mediated transactivation of the CYP3A4 gene in the tested intestinal and hepatocyte-derived cell lines.

Transactivation	VDR		PXR		
	Ligand	intestinal cells	hepatocyte cell lines	intestinal cells	hepatocyte cell lines
Basal		CLEM4 = prER6 > DR3 >>> eNR3A4	CLEM4 > DR3 = prER6 no significant effect of eNR3A4	prER6 > CLEM4 = eNR3A4 >> DR3	CLEM4 = eNR3A4 = DR3 > prER6
Ligand-inducible	1,25OHvitD₃/rifampicin	prER6 > DR3 >> CLEM4 ¹ no effect of eNR3A4 ¹	DR3 >> prER6 > CLEM4 >>> eNR3A4	prER6 > eNR3A4 > DR3 = CLEM4	CLEM4 = eNR3A4 >> DR3 > prER6 ³ DR3 > prER6 > CLEM4 = eNR3A4 ⁴ an unknown RE ⁵
	LCA	prER6 > DR3 = CLEM4 no effect of eNR3A4		DR3 >>> prER6 + CLEM4 ² no effect of eNR3A4	

¹ the same pattern for LS174T, HCT-8 and HT-29 intestinal cell lines, CLEM4 has a modulatory effect together with prER6 and DR3 sites; for CACO-2 cells- DR3 > prER6 >> CLEM4, no effect of eNR3A4

² cooperation, minimal individual effects of the response elements

³ In HepG2, relative fold induction is not affected by any response element mutation due to the parallel decrease in basal activation.

⁴ for Mz-Hep-1 cells

⁵ An unknown RE is involved in both HepG2 and MZ-Hep-1.

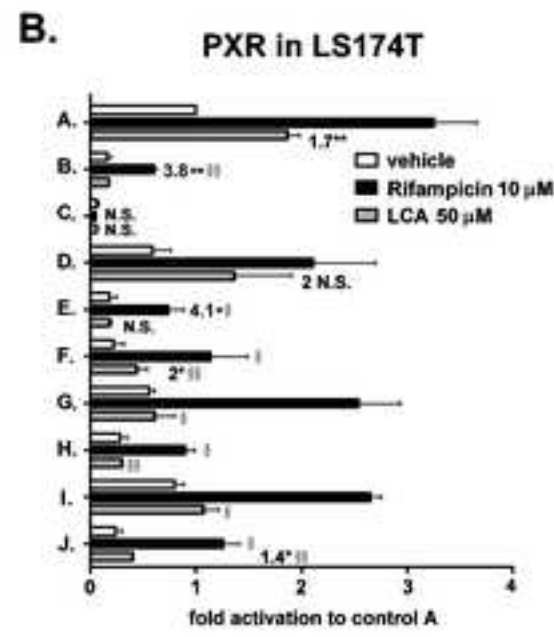
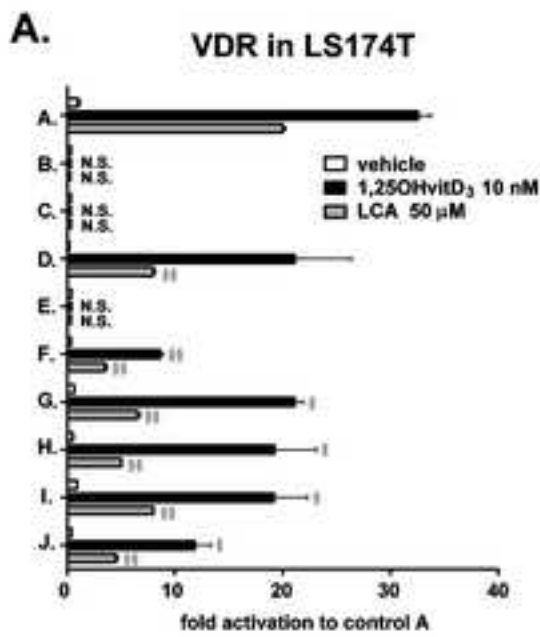
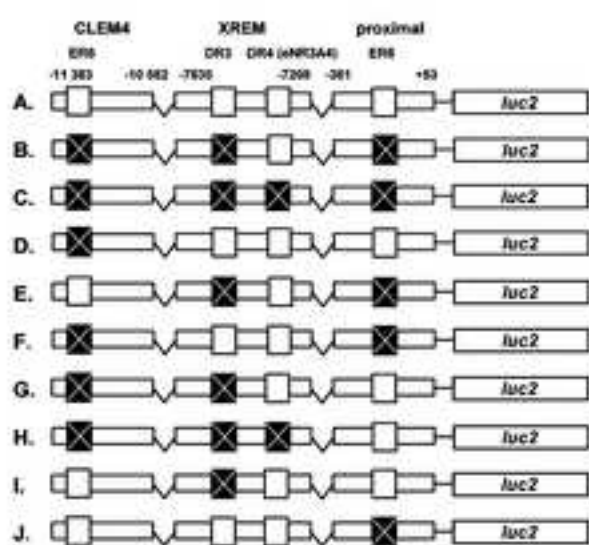


Figure 2.

Pavek et al.

intestinal cell lines

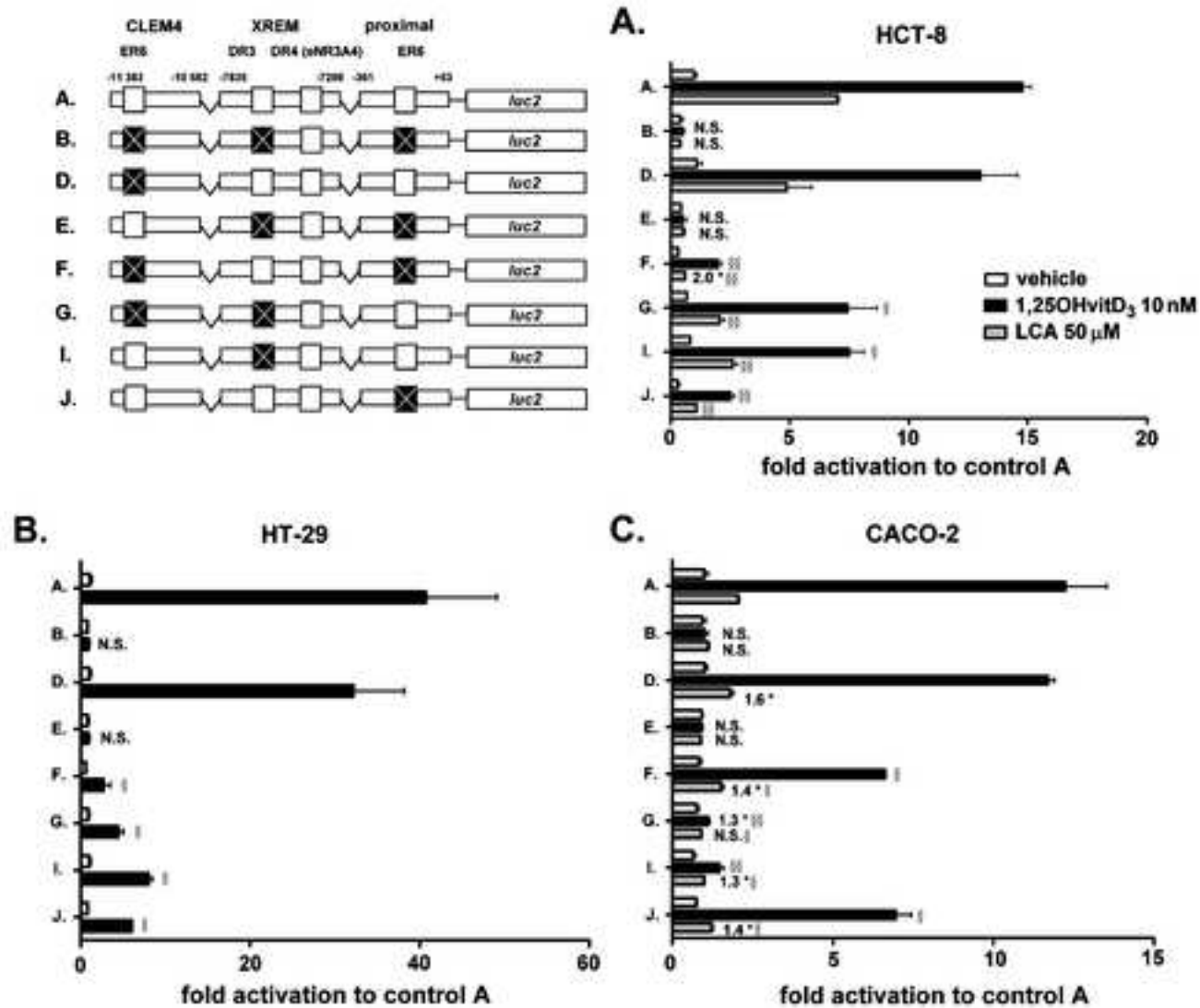


Figure 3.

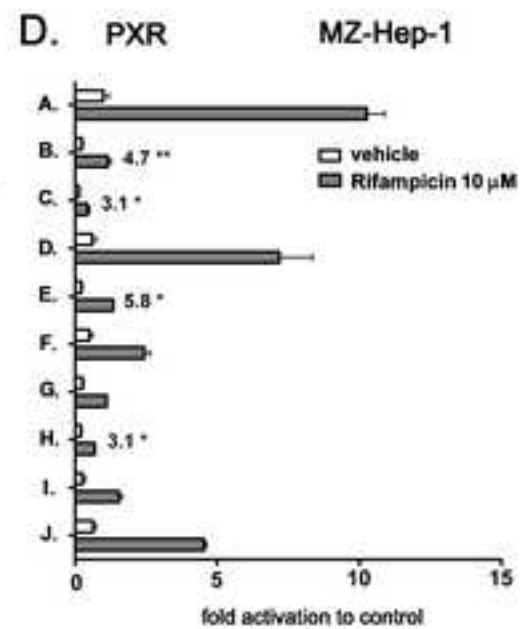
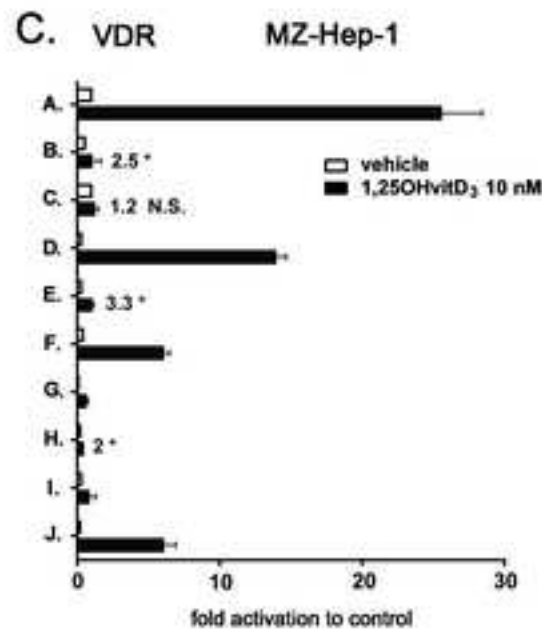
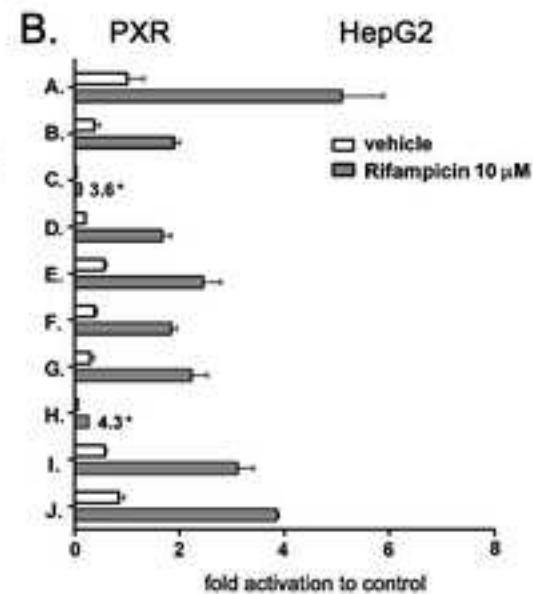
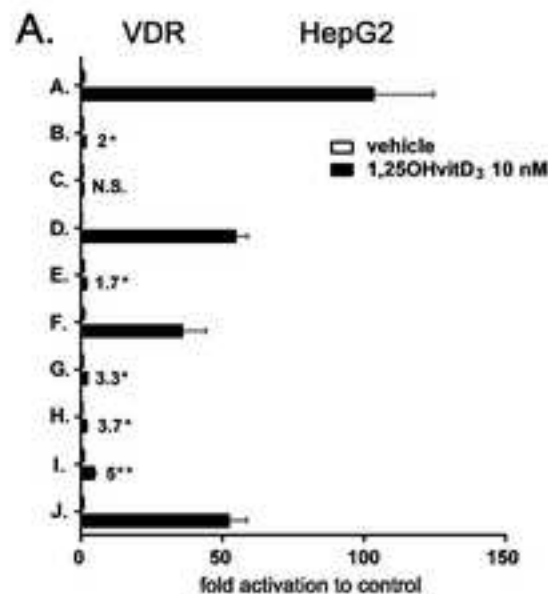
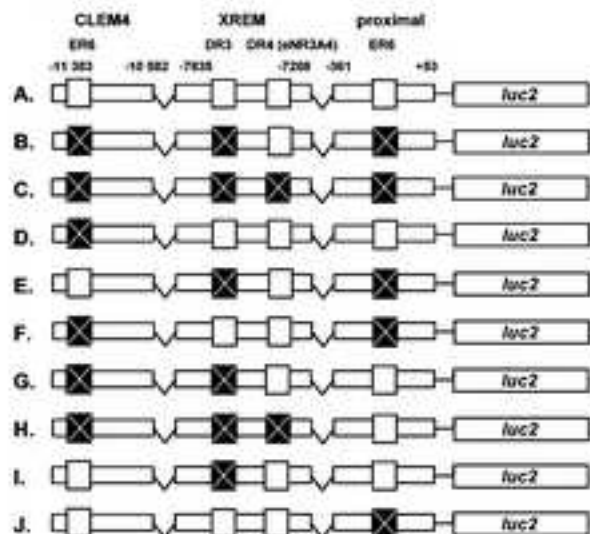
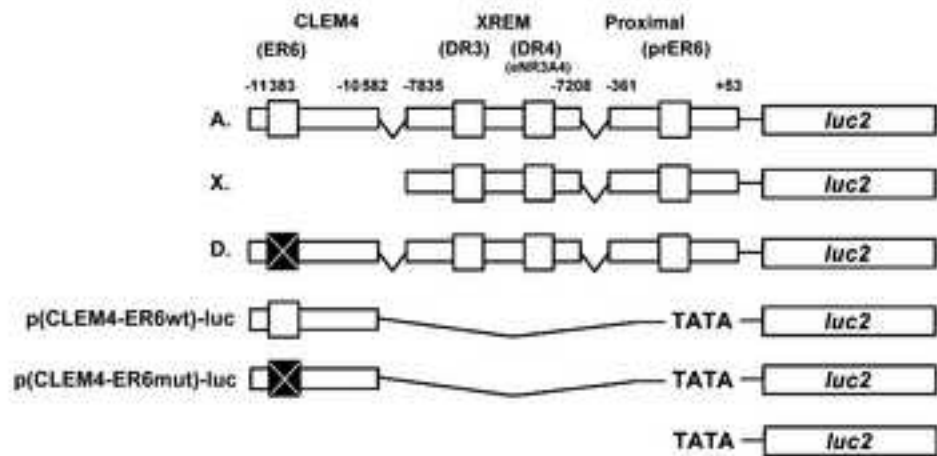
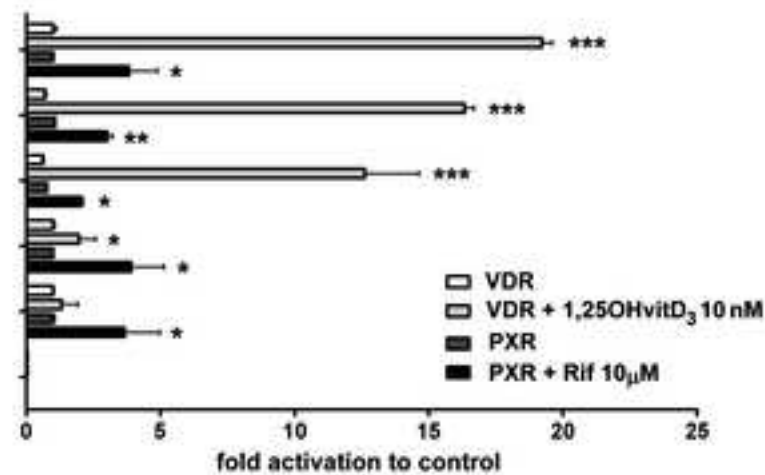


Figure 4.

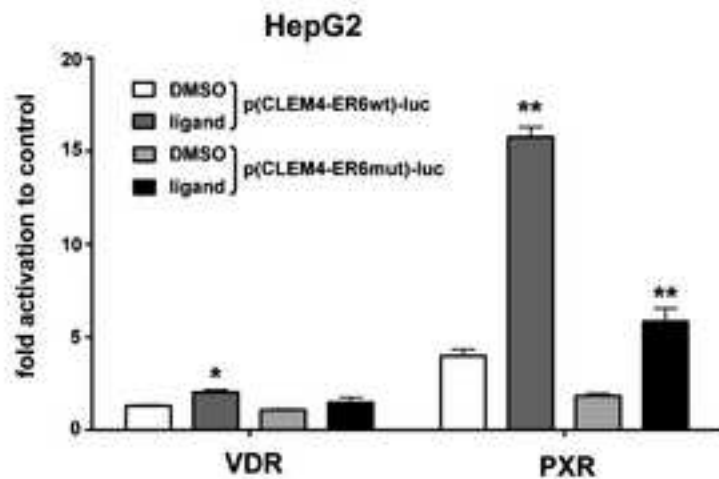


A.

LS174T



B.



C.

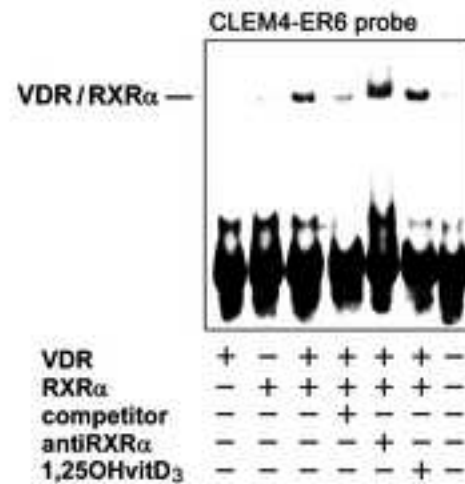


Figure 5.

Pavek et al.

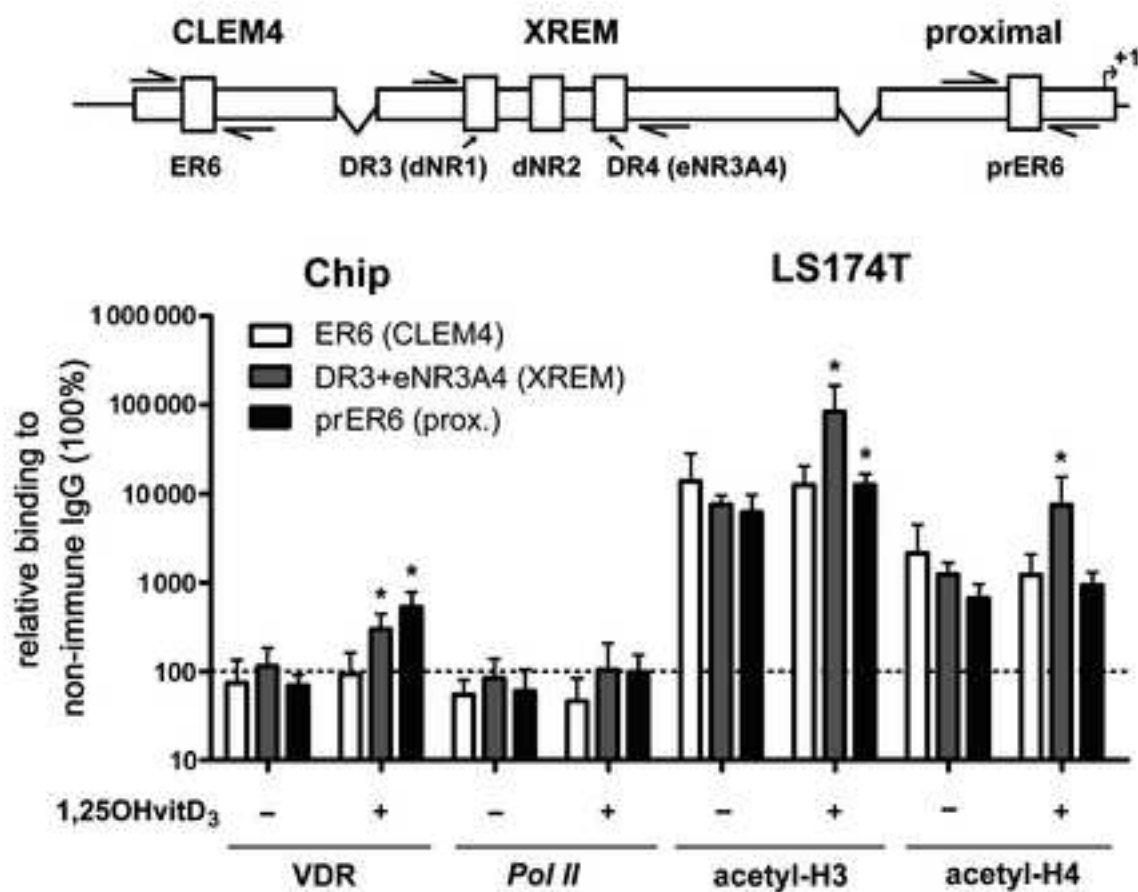


Figure 6.

Pavek et al.

