



HAL
open science

Elastic energy of a straight dislocation and contribution from core tractions

Emmanuel Clouet

► **To cite this version:**

Emmanuel Clouet. Elastic energy of a straight dislocation and contribution from core tractions. Philosophical Magazine, 2009, 89 (19), pp.1565-1584. 10.1080/14786430902976794 . hal-00514024

HAL Id: hal-00514024

<https://hal.science/hal-00514024>

Submitted on 1 Sep 2010

HAL is a multi-disciplinary open access archive for the deposit and dissemination of scientific research documents, whether they are published or not. The documents may come from teaching and research institutions in France or abroad, or from public or private research centers.

L'archive ouverte pluridisciplinaire **HAL**, est destinée au dépôt et à la diffusion de documents scientifiques de niveau recherche, publiés ou non, émanant des établissements d'enseignement et de recherche français ou étrangers, des laboratoires publics ou privés.



Elastic energy of a straight dislocation and contribution from core tractions

Journal:	<i>Philosophical Magazine & Philosophical Magazine Letters</i>
Manuscript ID:	TPHM-09-Feb-0049.R1
Journal Selection:	Philosophical Magazine
Date Submitted by the Author:	03-Apr-2009
Complete List of Authors:	Clouet, Emmanuel; CEA, SRMP
Keywords:	anisotropic elasticity, dislocation theory
Keywords (user supplied):	core tractions, elastic energy, core energy



Philosophical Magazine
 Vol. 00, No. 00, ?? December 2009, 1–17

RESEARCH ARTICLE

Elastic energy of a straight dislocation
 and contribution from core tractions

Emmanuel Clouet[†]

CEA, DEN, Service de Recherches de Métallurgie Physique,
 F-91191 Gif-sur-Yvette, France

(April 2, 2009)

We derive an expression of the core traction contribution to the dislocation elastic energy within linear anisotropic elasticity theory using the sextic formalism. With this contribution, the elastic energy is a state variable consistent with the work of the Peach-Koehler forces. This contribution needs also to be considered when extracting from atomic simulations core energies. The core energies thus obtained are real intrinsic dislocation properties: they do not depend on the presence and position of other defects. This is illustrated by calculating core energies of edge dislocation in bcc iron, where we show that dislocations gliding in {110} planes are more stable than the ones gliding in {112} planes.

Keywords: dislocation theory; anisotropic elasticity; core tractions; elastic energy; core energy

1. Introduction

One important quantity controlling the physics of dislocations is their elastic energy. It is defined as the integral of the elastic energy density over the whole volume except a small core region surrounding the dislocation line. This excludes the region around the dislocation core where elasticity does not apply because of the too high strains. Using Gauss theorem, the elastic energy can be decomposed in two contributions:

- the one corresponding to an integration along the dislocation cut of the work necessary to create the dislocation. As it is well known, this contribution varies with the logarithm of a characteristic distance of the dislocation microstructure.
- the contribution arising from the work done by the tractions exerted on the tube which isolates the dislocation core. The corresponding contribution to the elastic energy is known as the contribution of the core tractions.

This last contribution is sometimes forgotten. Indeed, the cut contribution is usually the dominant one. Moreover, the core traction contribution disappears when one tries to define the elastic energy of an isolated infinite straight dislocation because of the external cylinder that has to be introduced to prevent the elastic energy from diverging. Nevertheless, if one wants the dislocation elastic energy to be a state variable, *i.e.* a variable that only depends on the current state and not on the transformation path used to reach this state, both contributions need to be

[†] Email: emmanuel.clouet@cea.fr

1 taken into account. Bullough and Foreman [1] already showed that the elastic en-
 2 ergy of a dislocation loop does not depend on the hypothetical creation mechanism
 3 only when both contributions are considered. Lothe and Hirth [2] also noticed that
 4 the definition of the elastic energy of a straight dislocation could not be consistent
 5 with the work of the Peach-Koehler forces if the contribution of the core tractions
 6 was not included in the elastic energy. Finally, Gavazza and Barnett [3] showed
 7 that the dislocation elastic energy part associated with the core tractions leads to
 8 a contribution to the self-force acting on a dislocation loop.
 9

10 Despite its importance, no analytical expressions of the core traction contribu-
 11 tion to the elastic energy seems to exist in the literature when the elastic anisotropy
 12 is considered. The anisotropic linear elasticity theory of dislocations has been de-
 13 veloped in the past sixty years. Eshelby, Read and Shockley [4] were the first to
 14 express the anisotropic elastic field created by a straight infinite dislocation. Their
 15 formalism was then enriched by Stroh [5, 6], leading to what is known as the sextic
 16 formalism. Latter, it was shown that the elastic field of a dislocation of arbitrary
 17 shape can be obtained from the fields of straight infinite dislocations¹. But no ex-
 18 pression of the contribution of the core tractions to the elastic energy has been
 19 obtained until now. The variation of this contribution with a rotation of the dislo-
 20 cation cut is known [8, 9]. It actually corresponds to the angular dependence of the
 21 interaction energy between two dislocations derived by Stroh [5]. But an expres-
 22 sion of the absolute value of this contribution is not available. Such an analytical
 23 expression exists under the assumption that the elastic constants are isotropic [1].
 24 The few studies that considered the elastic anisotropy as well as the contribution of
 25 the core tractions [10–13] calculated this contribution with a numerical integration
 26 along the surface of the core cylinder. It is the purpose of this article to obtain an
 27 analytical expression of this contribution in the framework of the sextic formalism.
 28 Such an expression could be used then in further studies. Potential applications
 29 are the extraction from atomic simulations of dislocation energy properties like
 30 core energies [8, 9, 14–18], calculations of dislocation loop self energy [1, 10, 11], or
 31 computation of the self-force acting on a dislocation loop [3]. Such an application
 32 is presented in this article where core energies of edge dislocation in α -iron are
 33 determined.
 34

35 In the first section, we define the elastic energy of a straight dislocation so as to
 36 clearly make appear the contribution of the core tractions. We then use isotropic
 37 elasticity to illustrate this definition and highlight the importance of this contribu-
 38 tion for the coherency of the elastic energy definition. The analytical expression of
 39 the core traction contribution within anisotropic linear elasticity is obtained in the
 40 following section using the sextic formalism. We finally illustrate the consistency
 41 of our results by studying edge dislocations in α -iron and calculating their core
 42 energies with different simulation methods.
 43
 44
 45
 46
 47
 48
 49

50 **2. Elastic energy of a straight dislocation**

51 We assume in this article that the elastic field created by a dislocation can be
 52 reduced to the Volterra solution. Eshelby *et al.* [4] have indeed shown that a straight
 53 dislocation in an infinite elastic medium creates in a point defined by its cylindrical
 54
 55
 56
 57
 58

59 ¹For a review, see Ref. [7].
 60

coordinates r and θ a displacement given by the Laurent series

$$\mathbf{u}(r, \theta) = \mathbf{v} \ln(r) + \mathbf{u}_0(\theta) + \sum_{n=1}^{\infty} \mathbf{u}_n(\theta) \frac{1}{r^n}.$$

The two first terms of this series, $\mathbf{v} \ln(r) + \mathbf{u}_0(\theta)$ correspond to the Volterra solution: this describes the elastic field of the dislocation far enough from its core. The remaining terms of the series ($n \geq 1$) are the dislocation core field [19], which arises from non-linearities in the crystal elastic behavior and from perturbations due to the atomic nature of the core. We do not consider this part of the elastic field in our definition of the dislocation elastic energy ($\mathbf{u}_n = 0 \forall n \geq 1$) and take only the Volterra solution. The elastic field creates nevertheless tractions on the surface which isolates the dislocation core. As a consequence, a contribution of the core tractions to the dislocation elastic energy exists even when the dislocation core field is neglected. As it will be shown below, this contribution needs to be considered so as to obtain an unambiguous definition of the dislocation elastic energy.

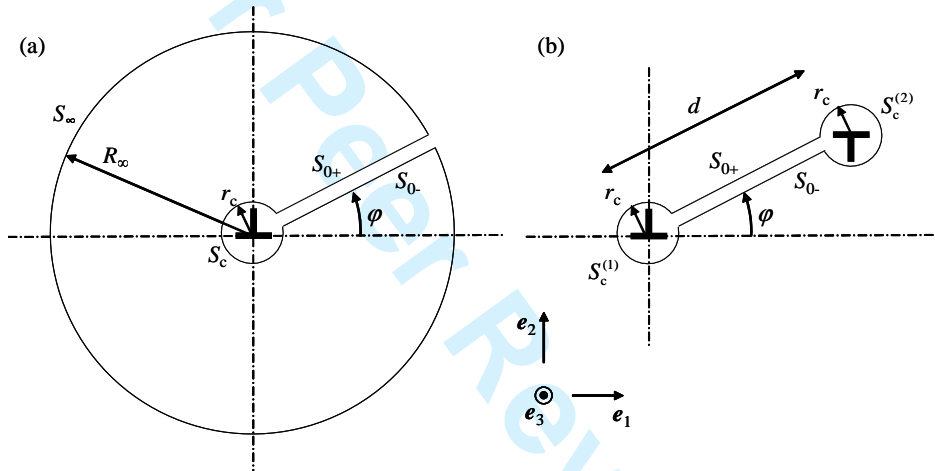


Figure 1. Definition of the contour used to calculate the dislocation elastic energy. (a) Isolated dislocation. (b) Isolated dislocation dipole.

We first consider an isolated dislocation. Two cylinders centered on the dislocation need to be introduced so as to define the elastic energy (Fig. 1a). The inner cylinder of surface S_c isolates the dislocation core. Strains are much too high close to the dislocation core to be described by elasticity theory. As a consequence, elastic fields are diverging at the origin and one needs to exclude the core region from the elastic description. As the elastic energy integrated on an infinite volume tends to infinity, one also needs the external cylinder to prevent the elastic energy from diverging. The dislocation elastic energy per unit-length of dislocation is thus defined in the volume V comprised between both cylinders

$$E_{\text{dislo}}^{\text{elas}} = \frac{1}{2} \iiint_V \sigma_{ij} \varepsilon_{ij} dV,$$

where σ and ε are respectively the stress and strain created by the dislocation. The use of Gauss theorem allows to transform this volume integral into a surface integral:

$$E_{\text{dislo}}^{\text{elas}} = \frac{1}{2} \iint_S \sigma_{ij} u_i dS_j, \quad (1)$$

where S is a surface enclosing the volume V and isolating any discontinuity of the elastic displacement \mathbf{u} generated by the dislocation. A dislocation is by definition the frontier of a surface that has been sheared by the Burgers vector \mathbf{b} . A displacement discontinuity therefore occurs on the dislocation cut which needs to be isolated by the surfaces S_{0+} and S_{0-} (Fig. 1a). We would like to stress that this cut does not necessary correspond to the dislocation glide plane. The surface appearing in the integral 1 is then composed of S_c , S_{0-} , S_∞ , and S_{0+} .

The integrals along the surfaces S_c and S_∞ cancel because the resultant of forces located in the core is null, and the normals to the surfaces S_c and S_∞ have an opposite orientation [5, 6]. As a consequence, the elastic energy of an isolated dislocation integrated between the cylinders of radii r_c and R_∞ is limited to the contribution corresponding to the dislocation cut, leading to the the well-known result

$$E_{\text{dislo}}^{\text{elas}} = \frac{1}{2} b_i K_{ij}^0 b_j \ln \left(\frac{R_\infty}{r_c} \right), \quad (2)$$

where the tensor \mathbf{K}^0 only depends on the elastic constants, and r_c and R_∞ are respectively the radii of the inner and external cylinders.

We consider then an isolated dislocation dipole. The first dislocation of Burgers vector \mathbf{b} is located at the origin and the second one of Burgers vector $-\mathbf{b}$ at the point defined by its cylindrical coordinates (d, ϕ) (Fig. 1b). The two dislocation cuts need to be orientated so that the displacement discontinuity cancel except in the surface bounded by both dislocations. This ensures that no displacement discontinuity occurs far from the dipole and allows the dipole to be mechanically isolated. The elastic energy created by the dipole in the infinite volume is then

$$E_{\text{dipole}}^{\text{elas}} = \frac{1}{2} \iint_S \left(\sigma_{ij}^{(1)} + \sigma_{ij}^{(2)} \right) \left(u_i^{(1)} + u_i^{(2)} \right) dS_j,$$

where $\sigma^{(1)}$ and $\sigma^{(2)}$ are the stresses created by each dislocation, and $\mathbf{u}^{(1)}$ and $\mathbf{u}^{(2)}$ the corresponding elastic displacements. The integration surface is composed of the two cylinders $S_c^{(1)}$ and $S_c^{(2)}$ of radii r_c removing the elastic divergence at the dislocation cores, and of the two surfaces S_{0-} and S_{0+} removing the displacement discontinuity along the dislocation cut (Fig. 1b). One does not need to introduce an external surface like for the isolated dislocation because the elastic energy integrated on the infinite volume now converges.

The integration on both core cylinders leads to the same contribution

$$E_c^{\text{elas}}(\phi) = \frac{1}{2} \iint_{S_c^{(1)}} \sigma_{ij}^{(1)} u_i^{(1)} dS_j = \frac{1}{2} \iint_{S_c^{(2)}} \sigma_{ij}^{(2)} u_i^{(2)} dS_j. \quad (3)$$

The elastic energy of the dislocation dipole is then

$$E_{\text{dipole}}^{\text{elas}} = 2E_c^{\text{elas}}(\phi) + b_i K_{ij}^0 b_j \ln \left(\frac{d}{r_c} \right). \quad (4)$$

We will show in the following that the contribution E_c^{elas} of the core tractions only depends on the angle ϕ defining the azimuthal position of the dislocation dipole. It does not depend on the core radius r_c nor on the separation distance d . This contribution is not present in the elastic energy of an isolated dislocation (Eq. 2). This is a consequence of the introduction of an external cylinder to prevent

1 the elastic energy from diverging. But an isolated dislocation cannot exist: another
 2 defect, like a dislocation with opposite Burgers vector or a surface, is always needed
 3 to close the dislocation cut and allows mechanical equilibrium. Therefore, one has
 4 to use the “trick” of the external cylinder so as to define the elastic energy of an
 5 isolated dislocation. This gives birth to an artefact as the core traction contribution
 6 E_c^{elas} then disappears.
 7
 8
 9

10 3. Isotropic elastic media

11 We first consider that the elastic constants are isotropic. This allows to obtain
 12 simple expressions of the elastic energy which can be easily manipulated so as to
 13 illustrate the importance of the core traction contribution. We assume that the
 14 crystal is oriented in such a way that e_3 corresponds to the dislocation axis and e_1
 15 is collinear with the edge component of the Burgers vector ($b_2 = 0$). With such an
 16 orientation, the tensor \mathbf{K}^0 appearing in the elastic energy of an isolated dislocation
 17 (Eq. 2) or of a dislocation dipole (Eq. 4) writes [20]
 18 (Eq. 2) or of a dislocation dipole (Eq. 4) writes [20]
 19
 20

$$21 \mathbf{K}^0 = \frac{\mu}{2\pi(1-\nu)} \begin{pmatrix} 1 & 0 & 0 \\ 0 & 1 & 0 \\ 0 & 0 & (1-\nu) \end{pmatrix},$$

22 where μ is the shear modulus and ν Poisson’s ratio.

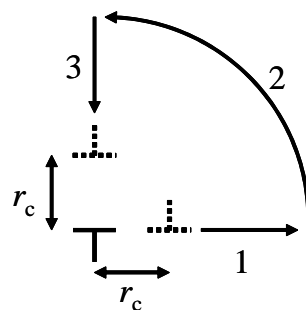
23 The core traction contribution has been calculated by Bullough and Foreman [1]:

$$24 E_c^{\text{elas}}(\phi) = \frac{\mu b_1^2}{16\pi(1-\nu)} \left[\frac{1}{1-\nu} - 2 \cos(2\phi) \right].$$

25 One sees that this contribution is null for a pure screw dislocation ($b_1 = 0$), but this
 26 result does not hold anymore when elastic anisotropy is considered (§ 4). For a pure
 27 edge or a mixed dislocation, if the dislocation cut corresponds to the dislocation
 28 glide plane, one has then $\phi = 0$ or $\phi = \pi$, and one recovers the expression given by
 29 Hirth and Lothe (Eq. (3-53) in Ref. [20]):
 30
 31

$$32 E_c^{\text{elas}}(\phi = 0) = -\frac{\mu b_1^2}{16\pi} \frac{1-2\nu}{(1-\nu)^2}. \tag{5}$$

33 As Poisson’s ratio is smaller than 1/2, this shows that the core traction contribution
 34 reduces the dislocation elastic energy when the dislocation cut corresponds to its
 35 glide plane.
 36
 37
 38
 39
 40
 41
 42



43 Figure 2. Reversible thermodynamic cycle for a dipole of edge dislocations.

To understand the importance of the core traction contribution, one can look at the variation of energy for a dipole of edge dislocations subjected to the cycle sketched in Fig. 2. This cycle has been proposed by Hirth and Lothe (Ref. [2] and section 8-3 in Ref. [20]). The dipole is first created with both edge dislocations lying on the same glide plane and separated by a distance r_c . The energy required to create the dipole is $2E^{\text{core}} + 2E_c^{\text{elas}}(\phi = 0)$, where E^{core} is the dislocation core energy, *i.e.* the part of energy which cannot be described by linear elasticity. One dislocation is then displaced through the cycle $1 \rightarrow 2 \rightarrow 3$. The work performed by the Peach-Koehler force during this displacement is $\mu b^2(1 - \nu)/2\pi$. When the dislocations are at a distance r_c , the dipole is destroyed and one recovers the energy $2E^{\text{core}} + 2E_c^{\text{elas}}(\phi = \pi/2)$. The variation of energy through the complete cycle is then $2E_c^{\text{elas}}(\phi = \pi/2) - 2E_c^{\text{elas}}(\phi = 0) + \mu b^2(1 - \nu)/2\pi = 0$. If one had neglected the core traction contribution to the dipole elastic energy, the energy variation would have been non-null which violates the law of thermodynamics. The proper consideration of all energy contributions in the Volterra elastic field thus allows a coherent definition of dislocation energetics. Such a coherency does not require more complex descriptions which assume a spreading of the dislocation like in the Peierls-Nabarro model or in the standard core model proposed by Lothe [21].

4. Anisotropic elastic media

4.1. Sextic formalism

We consider a dislocation of Burgers vector \mathbf{b} located at the origin and we orient the crystal so that the axis \mathbf{e}_3 corresponds to the dislocation line. We assume that the angle ϕ in Fig. 1 is equal to $-\pi$: the dislocation cut corresponds with the half plane defined by $x_1 < 0$ and $x_2 = 0$. We will generalize in a second stage to a different angle ϕ .

The elastic displacement and the elastic stress created by the dislocation are given to the first order by the Volterra solution. They can be expressed using the formalism¹ developed by Eshelby *et al.* [4] and extended by Stroh [5, 6]. The displacement and the stress calculated in a point of Cartesian coordinates (x_1, x_2, x_3) are then

$$\begin{aligned}
 u_k(x_1, x_2) &= \frac{1}{2} \sum_{\alpha=1}^6 \mp \frac{1}{2\pi i} A_k^\alpha D_\alpha \log(x_1 + p_\alpha x_2) \\
 \sigma_{ij}(x_1, x_2) &= \frac{1}{2} \sum_{\alpha=1}^6 \mp \frac{1}{2\pi i} B_{ijk}^\alpha A_k^\alpha D_\alpha \frac{1}{x_1 + p_\alpha x_2}
 \end{aligned}
 \tag{6}$$

The sign \mp appearing in these equations² means $-$ for $1 \leq \alpha \leq 3$ and $+$ for $4 \leq \alpha \leq 6$.

The matrices B_{ijk}^α are obtained from the elastic constants C_{ijkl} expressed in the dislocation reference frame:

$$B_{ijk}^\alpha = C_{ijk1} + p_\alpha C_{ijk2}.$$

¹For a more detailed presentation of the sextic formalism, *cf.* chap. 13 in Ref. [20] of Refs. [7] and [22].

²We use the same sign convention as Hirth and Lothe [20]. Eshelby *et al.* [4] and Stroh [5, 6] use the opposite sign in Eq. 6.

The roots p_α are solution of the sextic equations corresponding to the following determinant being equal to zero

$$|\{B_{i1k}^\alpha + p_\alpha B_{i2k}^\alpha\}| = 0,$$

and the non-null vectors A_k^α , associated to each root p_α , check the following equation

$$(B_{i1k}^\alpha + p_\alpha B_{i2k}^\alpha)A_k^\alpha = 0. \tag{7}$$

In all equations, we use the Einstein summation convention on repeated indexes, except for indexes written in Greek letters. When summation on the six different roots p_α is required, it will be explicitly written like in Eq. 6.

The six roots p_α are necessary complex. If p_α is solution of Eq. 7, its complex conjugate p_α^* is also a solution of this equation. We can therefore assume that the six different roots have been sorted in such a way that

$$\Im(p_\alpha) > 0 \text{ and } p_{\alpha+3} = p_\alpha^*, \quad 1 \leq \alpha \leq 3, \tag{8}$$

where $\Im(p_\alpha)$ is the imaginary part of p_α .

The elastic field given by Eq. 6 corresponds to the one of a dislocation with a Burgers vector \mathbf{b} and a line direction \mathbf{e}_3 if the constants D_α check the equations:

$$\frac{1}{2} \sum_{\alpha=1}^6 A_k^\alpha D_\alpha = -b_k, \tag{9}$$

$$\frac{1}{2} \sum_{\alpha=1}^6 B_{i2k}^\alpha A_k^\alpha D_\alpha = 0.$$

We choose the principal determination for the complex logarithm appearing in Eq. 6. The elastic displacement created by the dislocation therefore presents a discontinuity in the half plane of equations $x_1 < 0$ and $x_2 = 0$ defining the dislocation cut.

The system of linear equations 9 can be easily solved following Stroh method [5, 6]. To do so, we define a new vector

$$L_i^\alpha = B_{i2k}^\alpha A_k^\alpha = -\frac{1}{p_\alpha} B_{i1k}^\alpha A_k^\alpha. \tag{10}$$

Both definitions are equivalent because of Eq. 7. As the vector A_k^α is an eigenvector defined by Eq. 7, its norm is not fixed. One can therefore choose it so as to check the following normalization condition:

$$2A_i^\alpha L_i^\alpha = 1, \quad \forall \alpha.$$

Using the orthogonality properties [5–7, 22] of the vectors A_i^α and L_i^α , the solution of the system of equations 9 is given by

$$D_\alpha = -2L_i^\alpha b_i. \tag{11}$$

With such definitions, the tensor \mathbf{K}^0 appearing in the elastic energy of an isolated

dislocation (Eq. 2) or of a dislocation dipole (Eq. 4) is given by

$$K_{ij}^0 = \sum_{\alpha=1}^6 \pm \frac{1}{2\pi i} L_i^\alpha L_j^\alpha. \quad (12)$$

4.2. The core tractions contribution

The contribution of the core tractions to the elastic energy (Eq. 3) is given by

$$E_c^{\text{elas}} = -\frac{1}{2} \int_{\theta=-\pi}^{\pi} [\sigma_{i1}(r_c, \theta) \cos(\theta) + \sigma_{i2}(r_c, \theta) \sin(\theta)] u_i(r_c, \theta) r_c d\theta. \quad (13)$$

The expression 6 shows that the elastic displacement $\mathbf{u}(r, \theta)$ is the sum of an angular function and a term depending only on $\ln(r_c)$. This last term leads to a contribution in Eq. 13 which is null because the resultant of forces located in the core is null for a pure dislocation [5, 6]. Only the angular part of the elastic displacement leads to a contribution in Eq. 13. One thus obtains

$$E_c^{\text{elas}} = -\frac{1}{8} \sum_{\alpha=1}^6 \mp \frac{1}{2\pi i} A_i^\alpha D_\alpha \sum_{\beta=1}^6 \mp \frac{1}{2\pi i} A_k^\beta D_\beta \int_{-\pi}^{\pi} \frac{B_{i1k}^\beta \cos(\theta) + B_{i2k}^\beta \sin(\theta)}{\cos(\theta) + p_\beta \sin(\theta)} \log[\cos(\theta) + p_\alpha \sin(\theta)] d\theta.$$

This expression already shows that the contribution of the core tractions to the elastic energy does not depend on the radius r_c of the core cylinder. Using the property 7 of the matrices B_{ijk}^β and the vectors A_k^β , as well as the definition 10 of the vector L_i^β , one gets

$$E_c^{\text{elas}} = \frac{1}{8} \sum_{\alpha=1}^6 \pm \frac{1}{2\pi i} \sum_{\beta=1}^6 \pm \frac{1}{2\pi i} D_\alpha A_i^\alpha L_i^\beta D_\beta J^1(p_\alpha, p_\beta), \quad (14)$$

where the integral $J^1(p, a)$ is defined by

$$J^1(p, q) = \int_{-\pi}^{\pi} \frac{-p \cos \theta + \sin \theta}{\cos \theta + p \sin \theta} \log(\cos \theta + q \sin \theta) d\theta. \quad (15)$$

An analytical expression of this integral is obtained in the appendix A. Using this expression with the properties 8 checked by the roots p_α , one obtains

$$E_c^{\text{elas}} = \frac{1}{8} \sum_{\alpha=1}^6 \log(i \pm p_\alpha) \sum_{\beta=1}^6 \pm \frac{1}{2\pi i} D_\alpha \left(A_i^\alpha L_i^\beta - L_i^\alpha A_i^\beta \right) D_\beta + \frac{1}{8\pi i} \sum_{\alpha=1}^3 \sum_{\beta=4}^6 D_\alpha \left(A_i^\alpha L_i^\beta - L_i^\alpha A_i^\beta \right) D_\beta \log(p_\alpha - p_\beta). \quad (16)$$

We therefore obtained an analytical expression of the core traction contribution within the sextic formalism.

4.3. Angular dependence of the dipole elastic energy

We now examine how the dipole elastic energy varies when it is rotated with respect to the crystallographic axes. The answer could be obtained by rotating the dislocations and the elastic constants so as to calculate in the new reference frame all quantities needed to express the elastic energy. But a closed-form expression of the angular dependence of the elastic energy can be obtained in a fixed reference frame. We will show that this expression is consistent with the dislocation interaction energy derived by Stroh [5].

The angle ϕ can now deviate from the value $-\pi$ considered above. A rotation of the dislocation dipole is equivalent to a rotation of the corresponding cut (Fig. 1). Such a rotation does not modify the vectors A_i^α and L_i^α [7, 22]. As a consequence, the tensor \mathbf{K}^0 appearing in the dipole elastic energy (Eq. 4) is unchanged. Only the contribution E_c^{elas} of the dislocation core tractions depends on this angle ϕ . We then call $\Delta E_c^{\text{elas}}(\phi)$ the variation of the dipole elastic energy, with the convention $\Delta E_c^{\text{elas}}(-\pi) = 0$. To calculate this energy variation, it is useful to write the roots of the sextic equations in the form $p_\alpha = \tan(\psi_\alpha)$. Such a transformation can be performed as long as the roots differ from $\pm i$ which only happens in degenerate cases due to some isotropy of the elastic constants¹ [7]. We can now rewrite the integral (Eq. 15) appearing in the energy contribution of the core tractions (Eq. 14)

$$J^1(p_\alpha, p_\beta) = \int_{-\pi}^{\pi} -\tan(\psi_\alpha - \theta) \log \left[\frac{\cos(\psi_\beta - \theta)}{\cos(\psi_\beta)} \right] d\theta.$$

The rotation of the cut modify the roots through the relation $p_\alpha(\phi) = \tan(\psi_\alpha - \phi)$ [7]. As a consequence, the elastic energy variation is given by

$$\Delta E_c^{\text{elas}}(\phi) = \frac{1}{8} \sum_{\alpha=1}^6 \pm \frac{1}{2\pi i} \sum_{\beta=1}^6 \pm \frac{1}{2\pi i} D_\alpha A_i^\alpha L_i^\beta D_\beta \Delta J_\phi^1(p_\alpha, p_\beta),$$

with

$$\begin{aligned} \Delta J_\phi^1(p_\alpha, p_\beta) &= \int_{-\pi}^{\pi} -\tan(\psi_\alpha - \theta) \left\{ \log \left[\frac{\cos(\psi_\beta - \theta)}{\cos(\psi_\beta - \phi)} \right] - \log \left[\frac{\cos(\psi_\beta - \theta)}{\cos(\psi_\beta)} \right] \right\} d\theta \\ &= \int_{-\pi}^{\pi} \frac{-p_\alpha \cos \theta + \sin \theta}{\cos \theta + p_\alpha \sin \theta} \\ &\quad \left[\log \left(\frac{\cos \theta + p_\beta \sin \theta}{\cos \phi + p_\beta \sin \phi} \right) - \log(\cos \theta + p_\beta \sin \theta) \right] d\theta. \end{aligned}$$

This integral is calculated in the appendix B. With the result of this appendix, one obtains

$$\begin{aligned} \Delta E_c^{\text{elas}}(\phi) &= \frac{1}{8} \sum_{\alpha=1}^6 \sum_{\beta=1}^6 \pm \frac{1}{2\pi i} D_\alpha A_i^\alpha L_i^\beta D_\beta \log(\cos \phi + p_\beta \sin \phi) \\ &\quad - \frac{1}{8} \sum_{\alpha=1}^6 \pm \frac{1}{2\pi i} \sum_{\beta=1}^6 D_\alpha A_i^\alpha L_i^\beta D_\beta \log(\cos \phi + p_\alpha \sin \phi). \end{aligned}$$

¹The degeneracy can be lifted by adding some noise to the elastic constants.

Using the orthogonality properties checked by the vectors A_i^α and L_i^α , as well as the definition 11 of D_α , one gets

$$\Delta E_c^{\text{elas}}(\phi) = \frac{1}{2} \sum_{\alpha=1}^6 \pm \frac{1}{2\pi i} b_i L_i^\alpha L_j^\alpha b_j \log(\cos \phi + p_\alpha \sin \phi). \quad (17)$$

One recovers an angular dependence which is in agreement with the expression of the interaction energy between two dislocations given by Stroh [5], as well as by Cai *et al.* [8].¹

This expression 17 shows too that the core traction contribution E_c^{elas} is periodic of period π , *i.e.* is insensitive to an inversion of the cut direction. We have indeed

$$\Delta E_c^{\text{elas}}(\phi + \pi) = \frac{1}{2} \sum_{\alpha=1}^6 \pm \frac{1}{2\pi i} b_i L_i^\alpha L_j^\alpha b_j \log(-\cos \phi - p_\alpha \sin \phi).$$

Using the property of $\log(-z)$, we obtain

$$\begin{aligned} \Delta E_c^{\text{elas}}(\phi + \pi) &= \Delta E_c^{\text{elas}}(\phi) - \frac{1}{4} \sum_{\alpha=1}^6 b_i L_i^\alpha L_j^\alpha b_j \quad \text{if } 0 < \phi < \pi \\ &= \Delta E_c^{\text{elas}}(\phi) + \frac{1}{4} \sum_{\alpha=1}^6 b_i L_i^\alpha L_j^\alpha b_j \quad \text{if } -\pi < \phi < 0. \end{aligned}$$

Finally, the closure properties of the vectors L_i^α [6, 7, 22] lead to the desired result:

$$\Delta E_c^{\text{elas}}(\phi + \pi) = \Delta E_c^{\text{elas}}(\phi).$$

5. Edge dislocations in α -iron

So as to illustrate the need to take into account the contribution of core tractions to the dislocation elastic energy, we study now edge dislocations in α -iron, and determine their core energies E^{core} . The core energy is the amount of the dislocation excess energy that arises from atomic interaction close to the dislocation core that cannot be described by linear elasticity. This is therefore a supplementary energy contribution that should be added to the elastic energy. One expects that such an energy contribution is an intrinsic property of the dislocation: its value should only depend on the dislocation and not on the surrounding environment, like other dislocations.

We use the Fe empirical potential developed by Mendeleev *et al.* [23] in its modified version published in Ref. [24]. Thanks to the existence of a cut-off for the interactions between atoms, two different methods can be used to determine the dislocation core energy. One can either work with an isolated dislocation in an infinite elastic medium (the cluster approach), or with a dislocation dipole in periodic boundary conditions (the dipole approach). In the following section, we will show

¹The expression used by Li *et al.* [9], based on the work of Cai *et al.* [8], is different from Eq. 17. Li obtained $\Delta E^c(\phi) = \frac{1}{2\pi} \sum_{\alpha=1}^3 \Im\{b_i L_i^\alpha L_j^\alpha b_j\} \Re\{\log(\cos \phi + p_\alpha \sin \phi)\}$, whereas Eq. 17 can be rewritten $\Delta E^c(\phi) = \frac{1}{2\pi} \sum_{\alpha=1}^3 \Im\{b_i L_i^\alpha L_j^\alpha b_j \log(\cos \phi + p_\alpha \sin \phi)\}$. Both definitions may be equivalent in the case of a screw dislocation studied by Li *et al.*, but we could not demonstrate it.

that both methods are coherent and lead to the same core energy as long as all contributions are considered in the elastic energy.

α -Fe has a body-centered cubic lattice and the Burgers vector of the most common dislocations is $\mathbf{b} = a/2 \langle 111 \rangle$, where $a = 2.8553 \text{ \AA}$ is the lattice vector. Depending on the temperature, different slip planes are observed, either $\{110\}$ or $\{112\}$ planes. It is therefore interesting to study the energetics of both $1/2 \langle 111 \rangle \{110\}$ and $1/2 \langle 111 \rangle \{112\}$ edge dislocations, which both can exist. We will therefore determine the core energy of these two dislocations. For the $1/2 \langle 111 \rangle \{110\}$ edge dislocation, we use a simulation box with the orientation $\mathbf{e}_1 = [111]/\sqrt{3}$, $\mathbf{e}_2 = [\bar{1}01]/\sqrt{2}$, and $\mathbf{e}_3 = [1\bar{2}1]/\sqrt{6}$; for the $1/2 \langle 111 \rangle \{112\}$ edge dislocation $\mathbf{e}_1 = [111]/\sqrt{3}$, $\mathbf{e}_2 = [\bar{1}2\bar{1}]/\sqrt{6}$, and $\mathbf{e}_3 = [\bar{1}01]/\sqrt{2}$. In both cases, \mathbf{e}_1 is collinear with the Burgers vector and \mathbf{e}_3 corresponds to the dislocation line. The dislocation glide plane is therefore the plane of normal \mathbf{e}_2 ($\phi = 0$ in Fig. 1).

5.1. The cluster approach

In the cluster approach, a single dislocation is introduced at the center of a unit cell which is periodic only along the dislocation line and with surface in other directions. Atoms are displaced according to the anisotropic elastic Volterra displacement (Eq. 6). Atoms closer from the external surface than the interatomic potential cut-off are kept fixed while the positions of inner atoms are relaxed so as to minimize the energy calculated with the potential. This therefore simulates an isolated dislocation in an infinite elastic medium. A variant of the method consists in relaxing atoms at the surface using lattice Green functions [25–27]. This may be necessary in ab-initio calculations because of the small size of the unit cell that can be simulated. As, in the present work, we use empirical potential, the unit cell is large enough so that the Volterra elastic field correctly describes the displacements of atoms at the surface and one does not need to use lattice Green function to relax them.

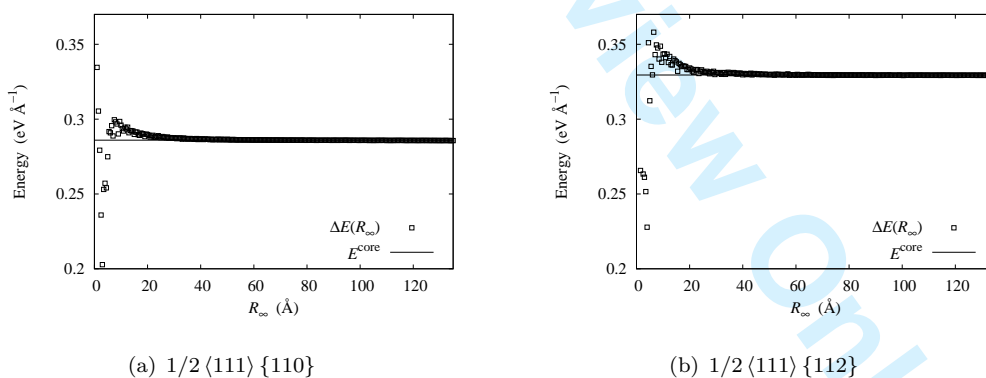


Figure 3. Variation with the cylinder radius R_∞ of the energy difference $\Delta E(R_\infty) = E(R_\infty) - \frac{1}{2} b_i K_{ij}^0 b_j \ln(R_\infty/r_c)$ showing the convergence to E^{core} for $1/2 \langle 111 \rangle \{110\}$ and $1/2 \langle 111 \rangle \{112\}$ edge dislocations in α -iron ($r_c = b \simeq 2.473 \text{ \AA}$).

Once inner atoms are relaxed, we calculate the excess energy $E(R_\infty)$ given by the interatomic potential and contained in a cylinder centered on the dislocation, of axis \mathbf{e}_3 and of radius R_∞ . This excess energy is the difference of energy between the system with the dislocation and the perfect crystal for the same number of atoms. Only the excess energy of atoms contained in the cylinder is considered. This can be performed for different values of the radius R_∞ in the limit of the

Table 1. Parameters defining the energies of both edge dislocations in α -iron. All quantities are given in $\text{meV } \text{\AA}^{-1}$. The core energies are given for a core radius $r_c = b$.

	E^{core}	$E_c^{\text{elas}}(\phi = 0)$	$\frac{1}{2}b_i K_{ij}^0 b_j$
$1/2 \langle 111 \rangle \{110\}$	286	-87	370
$1/2 \langle 111 \rangle \{112\}$	329.5	-89	378

maximal radius allowed by the unit cell. According to the section 2 (Eq. 2), this excess energy should vary as

$$E(R_\infty) = E^{\text{core}} + \frac{1}{2}b_i K_{ij}^0 b_j \ln\left(\frac{R_\infty}{r_c}\right).$$

In this expression, the tensor \mathbf{K}^0 is given by Eq. 12. It is different for the $1/2 \langle 111 \rangle \{110\}$ and $1/2 \langle 111 \rangle \{112\}$ edge dislocations because of elastic anisotropy (Tab. 1). Looking at the variations of the energy difference $\Delta E(R_\infty) = E(R_\infty) - \frac{1}{2}b_i K_{ij}^0 b_j \ln(R_\infty/r_c)$, one expects this quantity to be a constant defining E^{core} . This quantity actually varies but rapidly converges to a constant value for an increasing radius R_∞ (Fig. 3). Variations for small R_∞ arises from the dislocation core field, which may be important close to the dislocation core but is not taken into account in the present approach. This core field needs only to be considered when one cannot reach large enough simulation boxes like in ab initio calculations [18]. The convergence of $\Delta E(R_\infty)$ allows us anyway to define a dislocation core energy. Values of this core energy are given for both dislocation in Tab. 1.

5.2. The dipole approach

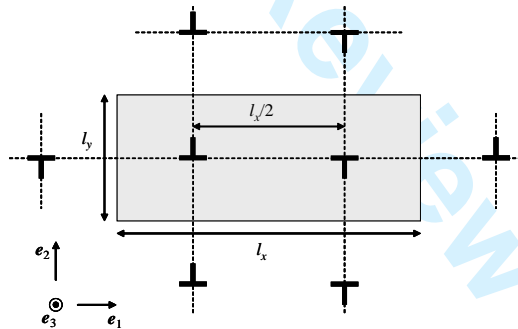


Figure 4. Sketch of the periodic unit cell used to study a dipole of edge dislocations.

In the dipole approach, full periodic boundary conditions are used. The total Burgers vector of the unit cell has to be zero. Therefore a dislocation dipole is introduced in the unit cell. The periodic unit cell we used for the present work is sketched in Fig. 4. Both dislocations composing the dipole share the same glide plane and then $\phi = 0$.

The energy of the unit cell is minimized by relaxing all atomic positions. According to section 2, the excess energy of the unit cell should be

$$E = 2E^{\text{core}} + 2E_c^{\text{elas}}(\phi = 0) + b_i K_{ij}^0 b_j \ln\left(\frac{d}{r_c}\right) + E_{\text{inter}}^{\text{elas}}, \quad (18)$$

with $d = l_x/2$. $E_{\text{inter}}^{\text{elas}}$ is the elastic interaction energy between the dislocation dipole

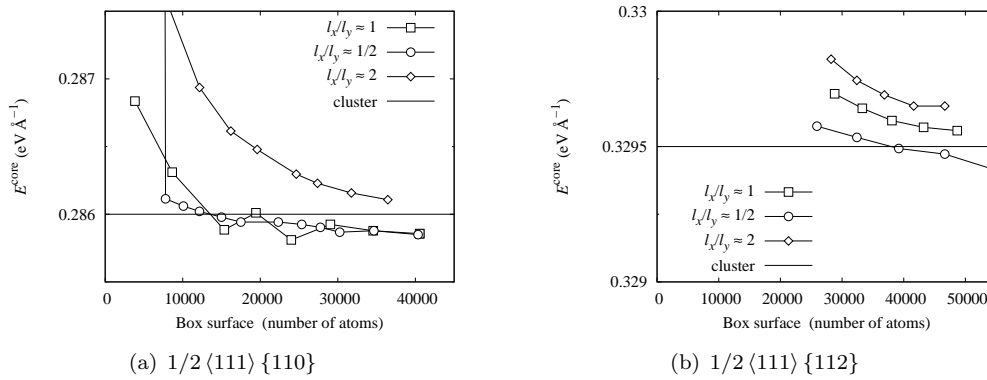


Figure 5. Variation with the size of the simulation cell of the dislocation core energy deduced from atomic simulations of a dislocation dipole in periodic boundary conditions for $1/2 \langle 111 \rangle \{110\}$ and $1/2 \langle 111 \rangle \{112\}$ edge dislocations in α -iron ($r_c = b \simeq 2.473 \text{ \AA}$). Symbols correspond to result of the dipole approach for different geometries of the unit cell and the horizontal line to the result of the cluster approach.

contained in the unit cell and all its periodic images. This elastic interaction energy is calculated using the method of Cai *et al.* [8]. One can therefore deduce the core energy from the atomic simulations using Eq. 18: the excess energy E is directly given by atomic simulations and all elastic contributions are calculated using a code based on anisotropic linear elasticity.

The obtained core energies are presented in figure 5 for different sizes of the unit cells as well as different geometries characterized by the aspect ratio l_x/l_y . All geometries converge with the size of the unit cell to the same limit and the converged value of the core energy is in perfect agreement with the value obtained in the cluster approach. The table 1 shows that this agreement is possible only if one does not forget the contribution of the core tractions to the elastic energy. Without this contribution, the core energies would have been about 90 meV \AA^{-1} lower in the dipole approach than in the cluster approach.

5.3. Stability of an edge dipole

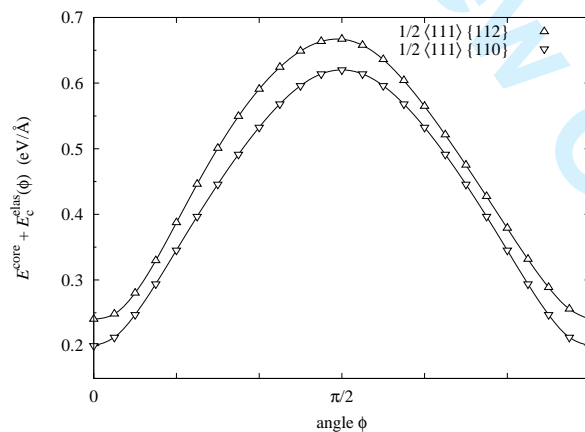


Figure 6. Variation with the angle ϕ of the energy contribution $E^{\text{core}} + E_c^{\text{elas}}(\phi)$ ($r_c = b$).

Eq. 18 shows that the energy of a dislocation dipole is the sum of a constant term ($E^{\text{core}} + E_c^{\text{elas}}(\phi)$) and a term depending on the distance d between the two dislocations composing the dipole. The values obtained from atomic simulations

1 and anisotropic linear elasticity (Tab. 1) shows that the $1/2 \langle 111 \rangle \{110\}$ edge dipole
 2 is more stable than the $1/2 \langle 111 \rangle \{112\}$ one, whatever the distance d . This result is
 3 strictly valid only when both dislocations share the same glide plane ($\phi = 0$). We
 4 now need to look to the variation of the distant independent term $E^{\text{core}} + E_c^{\text{elas}}(\phi)$
 5 with the angle ϕ , *i.e.* with the orientation of the dipole.
 6

7 Fig. 6 shows the variation of $E^{\text{core}} + E_c^{\text{elas}}(\phi)$ with the angle ϕ for both dislocation.
 8 Whatever the orientation of the dipole, this energy contribution is smaller for the
 9 $1/2 \langle 111 \rangle \{110\}$ than for the $1/2 \langle 111 \rangle \{112\}$ edge dipole. The $1/2 \langle 111 \rangle \{110\}$ is
 10 therefore found as the most stable edge dipole.
 11

12 6. Conclusions and discussion

13 We obtained within the sextic formalism an expression of the core traction con-
 14 tribution to the elastic energy (Eq. 16). We showed that this expression agrees
 15 with the angular dependence of the interaction energy between two dislocations
 16 previously derived by Stroh [5]. This energy contribution is actually important so
 17 that the dislocation elastic energy can be a state variable consistent with the work
 18 of the Peach-Koehler forces.
 19

20 This contribution to the elastic energy needs also to be considered when one
 21 wants to extract from atomic simulations core energies which does not depend on
 22 the simulation conditions. Both the core traction contribution and the core energy
 23 do not depend on the length scale of the dislocation microstructure. Their physical
 24 meaning is nevertheless different. The core energy is a dislocation intrinsic property
 25 which takes into account the fact that atomic interactions cannot be described
 26 by elasticity close to the dislocation core. On the other hand, the core traction
 27 contribution is a part of the elastic energy and depends on the positions of other
 28 dislocations through the angle ϕ defining the dislocation cut.
 29

30 The application to edge dislocations in iron showed that dislocation core energies
 31 could be obtained consistently from different simulation approaches, *i.e.* the cluster
 32 or the dipole approaches. Both approaches lead to the same core energy when one
 33 does not forget to take into account the energy contribution of core tractions in the
 34 dipole approach. This allowed us to conclude that $1/2 \langle 111 \rangle \{110\}$ edge dislocations
 35 are more stable than $1/2 \langle 111 \rangle \{112\}$ ones.
 36

37 The contribution of core tractions is also important when defining the elastic
 38 energy of a dislocation loop as pointed by Bullough and Foreman [1]. For a glissile
 39 loop, this contribution generally reduces the elastic energy of edge segments: this
 40 is true at least for an isotropic crystal (Eq. 5). As a consequence, this would lead to
 41 loop shapes which are more rounded than with a simple line tension model where
 42 this contribution is omitted [28]. As this contribution does not depend on the loop
 43 size, smaller loops should be more rounded than larger ones, in agreement with
 44 experimental observations [29]. This energy contribution could therefore explain
 45 some discrepancies obtained between a simple line tension model and, either ex-
 46 perimental observations [29], or results deduced from simulations of the loop self
 47 stress [30].
 48

49 Gavazza and Barnett [3] showed that part of the self-force acting on a loop is
 50 associated with the core traction contribution to the elastic energy. The obtained
 51 expression of this contribution to the elastic energy (Eq. 16) could therefore be
 52 used in dislocation dynamics simulations to compute the self-force acting on a
 53 dislocation segment.
 54

55 To conclude, we would like to stress that we obtained the expression of the
 56 core traction contribution to the elastic energy within the framework of the sextic
 57 formalism. Anisotropic linear elasticity of line defects can also be handled within
 58
 59
 60

the integral formalism[7, 22]. In the integral method, all quantities defining the elastic fields are obtained from angular integrals, so that one does not need to look for the solutions of the sextic equations. The recasting of our result within the integral formalism stills needs to be done. But this may not be possible as the expression 16 we obtained does not make appear any known integral. Getting an expression of the core traction contribution to the elastic energy within the integral formalism may be therefore a challenge.

Acknowledgments

The author is grateful to V. Bulatov, L. Ventelon, and F. Willaime for stimulating discussions, as well as to B. Lemoine for his help with the atomic simulations.

Appendix A. Integral $J^1(p, q)$

In this appendix, we calculate the integral appearing in the contribution to the dislocation elastic energy of the core tractions:

$$J^1(p, q) = \int_{-\pi}^{\pi} \frac{-p \cos \theta + \sin \theta}{\cos \theta + p \sin \theta} \log(\cos \theta + q \sin \theta) d\theta.$$

An integration by parts leads to

$$J^1(p, q) = - [\log(\cos \theta + p \sin \theta) \log(\cos \theta + q \sin \theta)]_{-\pi}^{\pi} + \int_{-\pi}^{\pi} \log(\cos \theta + p \sin \theta) \frac{-\sin \theta + q \cos \theta}{\cos \theta + q \sin \theta} d\theta.$$

We can conclude that

$$J^1(p, q) = -J^1(q, p) \tag{A1}$$

It is not possible to directly perform the integration, because of the logarithm function appearing in the definition of $J^1(p, q)$. To circumvent the problem, we derive $J^1(p, q)$ with respect to the parameter q

$$\frac{\partial J^1(p, q)}{\partial q} = \int_{-\pi}^{\pi} \frac{-p \cos \theta + \sin \theta}{\cos \theta + p \sin \theta} \frac{\sin \theta}{\cos \theta + q \sin \theta} d\theta.$$

We thus obtain an integral of a rational function of $\cos(\theta)$ and $\sin(\theta)$. It can be integrated using the residues theorem [31]:

$$\begin{aligned} \frac{\partial J^1(p, q)}{\partial q} &= -\frac{2\pi i}{i + q} && \text{if } \Im(p) > 0 \text{ and } \Im(q) > 0, \\ &= -\frac{2\pi i}{i - q} + \frac{4\pi i}{p - q} && \text{if } \Im(p) > 0 \text{ and } \Im(q) < 0, \\ &= -\frac{2\pi i}{i + q} + \frac{4\pi i}{q - p} && \text{if } \Im(p) < 0 \text{ and } \Im(q) > 0, \\ &= -\frac{2\pi i}{i - q} && \text{if } \Im(p) < 0 \text{ and } \Im(q) < 0. \end{aligned}$$

Now, we can integrate this result with respect to the parameter q :

$$\begin{aligned}
 J^1(p, q) &= -2\pi i \log(i + q) + f_1(p) && \text{if } \Im(p) > 0 \text{ and } \Im(q) > 0, \\
 &= 2\pi i \log(i - q) - 4\pi i \log(p - q) + f_2(p) && \text{if } \Im(p) > 0 \text{ and } \Im(q) < 0, \\
 &= -2\pi i \log(i + q) + 4\pi i \log(q - p) + f_3(p) && \text{if } \Im(p) < 0 \text{ and } \Im(q) > 0, \\
 &= 2\pi i \log(i - q) + f_4(p) && \text{if } \Im(p) < 0 \text{ and } \Im(q) < 0,
 \end{aligned}$$

where f_1, f_2, f_3 and f_4 are four functions depending solely on the parameter p . They can be determined by using the property A1 and the result $J^1(i, -i) = 2\pi^2$. This leads to the final result:

$$\begin{aligned}
 J^1(p, q) &= 2\pi i \log(i + p) - 2\pi i \log(i + q) && \text{if } \Im(p) > 0 \text{ and } \Im(q) > 0, \\
 &= 2\pi i \log(i + p) + 2\pi i \log(i - q) && \\
 &\quad - 4\pi i \log(p - q) && \text{if } \Im(p) > 0 \text{ and } \Im(q) < 0, \\
 &= -2\pi i \log(i - p) - 2\pi i \log(i + q) && \\
 &\quad + 4\pi i \log(q - p) && \text{if } \Im(p) < 0 \text{ and } \Im(q) > 0, \\
 &= -2\pi i \log(i - p) + 2\pi i \log(i - q) && \text{if } \Im(p) < 0 \text{ and } \Im(q) < 0.
 \end{aligned}$$

Appendix B. Integral $\Delta J_\phi^1(p, q)$

The angular dependence of the dipole elastic energy makes appear the following integral

$$\Delta J_\phi^1(p, q) = \int_{-\pi}^{\pi} \frac{-p \cos \theta + \sin \theta}{\cos \theta + p \sin \theta} \left[\log \left(\frac{\cos \theta + q \sin \theta}{\cos \phi + q \sin \phi} \right) - \log(\cos \theta + q \sin \theta) \right] d\theta.$$

We use the same integration method as for $J^1(p, q)$. A derivation with respect to the parameter q leads to

$$\frac{\partial}{\partial q} \Delta J_\phi^1(p, q) = \int_{-\pi}^{\pi} \frac{-p \cos \theta + \sin \theta}{\cos \theta + p \sin \theta} \frac{-\sin \phi}{\cos \phi + q \sin \phi} d\theta.$$

Using the residues theorem, we obtain

$$\begin{aligned}
 \frac{\partial}{\partial q} \Delta J_\phi^1(p, q) &= 2\pi i \frac{\sin \phi}{\cos \phi + q \sin \phi} && \text{if } \Im(p) > 0, \\
 &= -2\pi i \frac{\sin \phi}{\cos \phi + q \sin \phi} && \text{if } \Im(p) < 0.
 \end{aligned}$$

We then integrate with respect to the parameter q and we use the property $\Delta J_\phi^1(p, q) = -\Delta J_\phi^1(q, p)$ deduced from an integration by parts of the initial in-

tegral. This leads to the final result

$$\begin{aligned}
 \Delta J_{\phi}^1(p, q) &= 2\pi i \log [\cos \phi + q \sin \phi] \\
 &\quad - 2\pi i \log [\cos \phi + p \sin \phi] \quad \text{if } \Im(p) > 0 \text{ and } \Im(q) > 0, \\
 &= 2\pi i \log [\cos \phi + q \sin \phi] \\
 &\quad + 2\pi i \log [\cos \phi + p \sin \phi] \quad \text{if } \Im(p) > 0 \text{ and } \Im(q) < 0, \\
 &= - 2\pi i \log [\cos \phi + q \sin \phi] \\
 &\quad - 2\pi i \log [\cos \phi + p \sin \phi] \quad \text{if } \Im(p) < 0 \text{ and } \Im(q) > 0, \\
 &= - 2\pi i \log [\cos \phi + q \sin \phi] \\
 &\quad + 2\pi i \log [\cos \phi + p \sin \phi] \quad \text{if } \Im(p) < 0 \text{ and } \Im(q) < 0.
 \end{aligned}$$

References

- [1] R. Bullough and E.A.J. Foreman, *Philos. Mag.* 9 (1964) p.315–329.
- [2] J. Lothe and J.P. Hirth, *Phys. Status Solidi B* 242 (2005) p.836–841.
- [3] S.D. Gavazza and D.M. Barnett, *J. Mech. Phys. Solids* 24 (1976) p.171–185.
- [4] J.D. Eshelby, W.T. Read and W. Shockley, *Acta Metall.* 1 (1953) p.251–259.
- [5] A.N. Stroh, *Philos. Mag.* 3 (1958) p.625–646.
- [6] A.N. Stroh, *J. Math. Phys. (Cambridge, Mass.)* 41 (1962) p.77.
- [7] D.J. Bacon, D.M. Barnett and R.O. Scattergood, *Prog. Mater. Sci.* 23 (1980) p.51–262.
- [8] W. Cai, V.V. Bulatov, J. Chang, J. Li and S. Yip, *Philos. Mag.* 83 (2003) p.539–567.
- [9] J. Li, C.Z. Wang, J.P. Chang, W. Cai, V.V. Bulatov, K.M. Ho and S. Yip, *Phys. Rev. B* 70 (2004) p.104113.
- [10] D.J. Bacon, R. Bullough and J.R. Willis, *Philos. Mag.* 22 (1970) p.31–45.
- [11] S.L. Dudarev, R. Bullough and P.M. Derlet, *Phys. Rev. Lett.* 100 (2008) p.135503.
- [12] T.J. Gosling, *Philos. Mag. A* 73 (1996) p.11–45.
- [13] T.J. Gosling and J.R. Willis, *Philos. Mag. A* 69 (1994) p.65–90.
- [14] W. Xu and J.A. Moriarty, *Phys. Rev. B* 54 (1996) p.6941–6951.
- [15] S. Ismail-Beigi and T.A. Arias, *Phys. Rev. Lett.* 84 (2000) p.1499–1502.
- [16] X. Blase, K. Lin, A. Canning, S.G. Louie and D.C. Chrzan, *Phys. Rev. Lett.* 84 (2000) p.5780–5783.
- [17] W. Cai, V. Bulatov, J. Chang, J. Li and S. Yip, *Phys. Rev. Lett.* 86 (2001) p.5727–5730.
- [18] E. Clouet, L. Ventelon and F. Willaime, *Phys. Rev. Lett.* 102 (2009) p.055502.
- [19] C. Teodosiu *Elastic Models of Crystal Defects*, Springer-Verlag, Berlin, 1982.
- [20] J.P. Hirth and J. Lothe *Theory of Dislocations*, 2nd Wiley, New York, 1982.
- [21] J. Lothe, 1992, Vol. 31 of *Modern Problems in Condensed Matter Sciences in Elastic Strain Fields and Dislocation Mobility* North-Holland, Amsterdam, p. 175.
- [22] T.C.T. Ting *Anisotropic Elasticity: Theory and Applications*, Oxford University Press, New York, 1996.
- [23] M.I. Mendeleev, S. Han, D.J. Srolovitz, G.J. Ackland, D.Y. Sun and M. Asta, *Philos. Mag.* 83 (2003) p.3977–3994.
- [24] G.J. Ackland, M.I. Mendeleev, D.J. Srolovitz, S. Han and A.V. Barashev, *J. Phys.: Condens. Matter* 16 (2004) p.S2629–S2642.
- [25] C. Woodward and S.I. Rao, *Phys. Rev. Lett.* 88 (2002) p.216402.
- [26] C. Woodward and S.I. Rao, *Philos. Mag. A* 81 (2001) p.1305–1316.
- [27] J.E. Sinclair, P.C. Gehlen, R.G. Hoagland and J.P. Hirth, *J. Appl. Phys.* 49 (1978) p.3890–3897.
- [28] G. de Wit and J.S. Koehler, *Phys. Rev.* 116 (1959) p.1113–1120.
- [29] H. Mughrabi, *Mater. Sci. Eng. A* 309-310 (2001) p.237–245.
- [30] H. Schmid and H.O.K. Kirchner, *Philos. Mag. A* 58 (1988) p.905–921.
- [31] G.B. Arfken and H.J. Weber *Mathematical Methods for Physicists*, 5th Academic Press, San Diego, 2001.