



**HAL**  
open science

# The gauge theory of dislocations: static solutions of screw and edge dislocations

Markus Lazar, Charalampos Anastassiadis

► **To cite this version:**

Markus Lazar, Charalampos Anastassiadis. The gauge theory of dislocations: static solutions of screw and edge dislocations. *Philosophical Magazine*, 2009, 89 (03), pp.199-231. 10.1080/14786430802558551 . hal-00513987

**HAL Id: hal-00513987**

**<https://hal.science/hal-00513987>**

Submitted on 1 Sep 2010

**HAL** is a multi-disciplinary open access archive for the deposit and dissemination of scientific research documents, whether they are published or not. The documents may come from teaching and research institutions in France or abroad, or from public or private research centers.

L'archive ouverte pluridisciplinaire **HAL**, est destinée au dépôt et à la diffusion de documents scientifiques de niveau recherche, publiés ou non, émanant des établissements d'enseignement et de recherche français ou étrangers, des laboratoires publics ou privés.



**The gauge theory of dislocations: static solutions of screw and edge dislocations**

Journal:	<i>Philosophical Magazine &amp; Philosophical Magazine Letters</i>
Manuscript ID:	TPHM-08-Jun-0215.R1
Journal Selection:	Philosophical Magazine
Date Submitted by the Author:	07-Oct-2008
Complete List of Authors:	Lazar, Markus; Institute of Condensed Matter Physics, Darmstadt University of Technology Anastassiadis, Charalampos; TUD
Keywords:	defects, dislocation theory, elasticity, mechanics of materials
Keywords (user supplied):	Gauge theory, Green tensor
<p>Note: The following files were submitted by the author for peer review, but cannot be converted to PDF. You must view these files (e.g. movies) online.</p> <p>disloc2b.tex</p>	



# The gauge theory of dislocations: static solutions of screw and edge dislocations

Markus Lazar\*, Charalampos Anastassiadis,

Emmy Noether Research Group,  
Department of Physics,  
Darmstadt University of Technology,  
Hochschulstr. 6,  
D-64289 Darmstadt, Germany

October 7, 2008

## Abstract

We investigate the  $T(3)$ -gauge theory of static dislocations in continuous solids. We use the most general linear constitutive relations bilinear in the elastic distortion tensor and dislocation density tensor for the force and pseudomoment stresses of an isotropic solid. The constitutive relations contain six material parameters. In this theory both the force and pseudomoment stresses are asymmetric. The theory possesses four characteristic lengths  $\ell_1$ ,  $\ell_2$ ,  $\ell_3$  and  $\ell_4$  which are given explicitly. We first derive the three-dimensional Green tensor of the master equation for the force stresses in the translational gauge theory of dislocations. We then investigate the situation of generalized plane strain (anti-plane strain and plane strain). Using the stress function method, we find modified stress functions for screw and edge dislocations. The solution of the screw dislocation is given in terms of one independent length  $\ell_1 = \ell_4$ . For the problem of an edge dislocation, only two characteristic lengths  $\ell_2$  and  $\ell_3$  arise with one of them being the same  $\ell_2 = \ell_1$  as for the screw dislocation. Thus, this theory possesses only two independent lengths for generalized plane strain. If the two lengths  $\ell_2$  and  $\ell_3$  of an edge dislocation are equal, we obtain an edge dislocation which is the gauge theoretical version of a modified Volterra edge dislocation. In the case of symmetric stresses we recover well known results obtained earlier.

**Keywords:** Gauge theory; dislocations; defects; incompatible elasticity, torsion, Green tensor.

---

\*E-mail: lazar@fkp.tu-darmstadt.de (M. Lazar).

# 1 Introduction

## 1.1 Reviewing remarks

Gauge theories are very successful in high energy physics to understand and to explain fundamental interactions (see, e.g., [1, 2]). Important solutions in gauge theories are topological strings like the so-called Abrikosov-Nielsen-Olesen string [3, 4]. It is also known that the theories of gravity and generalized gravity can be understood as gauge theories of the Poincaré group and the affine group, respectively [5, 6]. For example, the teleparallel formulation of Einstein's general relativity can be understood as a gauge theory of the four-dimensional translation group (see, e.g., Hehl [7]). Thus, the torsion tensor is not just a tensor, but rather a very special tensor that is related to the translation group [6]. In such theories mathematical solutions for cosmic strings and other topological defects in space-time are found [8]. But it is hard to observe them by experiment.

An application of the three-dimensional translational gauge theory is the gauge theoretical formulation of dislocations. The torsion tensor plays the role as the translational field strength. In such a theory dislocations appear quite naturally as topological defects (strings). Dislocations play an important role in solid state physics [9]. It is easy to investigate them experimentally. Therefore, the gauge theory of dislocations is the best example to investigate the translational gauge theory as a physical field theory. Pioneering work in the field of the translational gauge theory of defects in solids was made by Kadić and Edelen [10, 11], Edelen and Lagoudas [12]. It is well known that dislocations are the fundamental carrier of plasticity. The hope of the gauge theory of dislocations is to understand plasticity as a 'fundamental' interaction in solids. Materials display strong size effects when the characteristic length scales are of the order of micrometers down to a few nanometers. With the interest in miniaturization of devices, the length scales associated with nanodevices are very small and classical theories of elasticity and plasticity are not applicable. Classical elasticity and plasticity theories cannot explain the size dependence because their constitutive laws possess no internal material lengths. In metals, the physical origin of size effects can be related to dislocations. Gauge theory of dislocations may be used to explain size effects and to model mechanical properties of miniaturized devices. In the gauge theory of dislocations the dislocation density tensor which is the curl of the elastic distortion or of the negative plastic distortion multiplied by material parameters which define internal material lengths enter the constitutive relations. The gauge theory of dislocations shall be a step in the direction of a microscopic theory of plasticity that incorporates interaction of structural defects. The dislocation should play a similar role as a gauge boson like the photon as a gauge boson in Maxwell's theory. Nevertheless, the theory of Kadić and Edelen [11], Edelen and Lagoudas [12] has some lacks. They used very special constitutive relations. For example, the force stress tensor is symmetric. But in the continuum theory of dislocations it is known that the force stress tensor has to be asymmetric at least in the dislocation core region [13, 14] and that moment stress is the specific response to dislocations [15]. Such a moment stress cannot be calculated from elastic moduli only. A realistic constitutive law between the moment stress and the dislocation density tensor has to be used to built a physical dislocation theory.

Therefore, such a theory is not the most general isotropic dislocation gauge theory. Their theory is just able to give an acceptable solution of a screw dislocation after some ad hoc assumptions [16, 17]. Moreover, it is not possible to give a correct solution of an edge dislocation. Especially, the stress component  $\sigma_{zz}$  is incorrect and the condition of plane

1  
2  
3 strain is not satisfied [18]. Such a dislocation gauge theory with symmetric force stresses  
4 possesses only one additional material parameter and two length scales can be defined to  
5 describe size-effects. In order to explain bending and torsion experiments one needs at  
6 least two length scales. One question that arises is how many characteristic length scales  
7 should appear in an improved gauge theory of dislocations? Recently, Sharma and Ganti  
8 [19] have combined Edelen's gauge model with a simple strain gradient elasticity. These  
9 authors applied it to a screw dislocation.  
10

11 These drawbacks of the Edelen model have been a motivation for further investiga-  
12 tions [18, 20]. The so-called Einstein choice has been investigated by Malyshev [18] and  
13 Lazar [21, 22]. Their solution of a screw dislocation looks to be acceptable for theories  
14 with symmetric force stresses. In the solution of an edge dislocation found by Malyshev  
15 [18], a strange far field emerges, which shows an oscillating behavior. In addition, the  
16 condition of plane strain is not fulfilled. Later, Lazar [23] tried to find a more realistic  
17 gauge theoretical solution for an edge dislocation. He used another constitutive relation  
18 and it was necessary to introduce additional gradients of the elastic rotation which is a  
19 little sophisticated. Thus, up to now, the case of an edge dislocation has not been treated  
20 satisfactory in the gauge theoretical framework. Quite recently, Malyshev [24] has used  
21 the Einsteinian  $T(3)$ -gauge approach to calculate the stress tensor of a screw dislocation  
22 in the second order. Some other proposals are given by Katanaev and Volovich [25], Popov  
23 and Kröner [26], Kröner [27]. We want to note that all these kinds of gauge theories of  
24 dislocations use symmetric force stresses and some special choices for the constitutive law  
25 of the moment (or hyper) stresses.  
26  
27  
28  
29  
30

## 31 1.2 The subject of the paper

32  
33 In this paper we want to investigate the translational gauge theory of dislocations with  
34 the most general linear isotropic constitutive relations quadratic in the physical state  
35 quantities for the force and pseudomoment stress tensors with six material coefficients.  
36 Such a theory was originally proposed by Lazar [21]. However, Lazar [21] used a simplified  
37 version for dislocations. Our purpose is to derive the general framework of such a theory  
38 and to apply it to find new analytical solutions of straight screw and edge dislocations  
39 in an infinite medium. The paper consists of five sections. Section 1 is the introduction.  
40 In section 2 we give the basics of the translational gauge theory of dislocations. We  
41 give the relation for positive definiteness of the elastic energy and the dislocation core  
42 energy. We give the relation between the pseudomoment stress tensor and the moment  
43 stress tensor. We derive the Euler-Lagrange equation in terms of the asymmetric stress  
44 tensor. This is the central equation for an isotropic material with dislocations. We set  
45 up the relation to other gauge theories of dislocations proposed earlier. We calculate the  
46 three-dimensional Green tensor for the central equation of the asymmetric force stresses.  
47 In this manner we are able to introduce four characteristic length scales of the gauge  
48 theory with asymmetric force stresses. Later we investigate dislocations in the framework  
49 of generalized plane strain. Sections 3 and 4 present the gauge theoretical solutions of  
50 straight screw and edge dislocations in an infinite medium with asymmetric force stresses.  
51 We will calculate the elastic distortion and dislocation density (torsion) tensors and the  
52 force and pseudomoment stresses of screw and edge dislocations. We prove that the force  
53 stresses of a screw dislocation and an edge dislocation have to be asymmetric instead  
54 of symmetric in order to guarantee nonnegative energy. Section 5 concludes the paper.  
55  
56  
57  
58  
59  
60

Details of dislocations in asymmetric elasticity are given in the appendices A and B.

## 2 Gauge theory of dislocations

### 2.1 Foundations

In the translational gauge theory of dislocations the displacement vector  $u_i$  is defined up to a gauge transformation – a local translation  $\tau_i(x)$

$$u_i \rightarrow u_i + \tau_i(x) \quad (2.1)$$

and the translational gauge field  $\phi_{ij}$  transforming under the local translation in a suitable form

$$\phi_{ij} \rightarrow \phi_{ij} - \tau_{i,j}(x). \quad (2.2)$$

From the mathematical point of view, the gauge field  $\phi_{ij}$  is the translational part of the generalized affine connection [20]. In the translational gauge theory, the elastic distortion is defined by the translational gauge-covariant derivative according to

$$\beta_{ij} = \nabla_j u_i := u_{i,j} + \phi_{ij}. \quad (2.3)$$

Thus, the elastic distortion is gauge independent and, therefore, a physical state quantity. The asymmetric tensor  $\phi_{ij}$  may be identified as the negative plastic distortion tensor [20, 21]. The elastic strain energy is a function of the elastic distortion. It reads

$$W_{\text{el}} = \frac{1}{2} \beta_{ij} \sigma_{ij} \quad (2.4)$$

with the specific response

$$\sigma_{ij} = \frac{\partial W_{\text{el}}}{\partial \beta_{ij}}. \quad (2.5)$$

It is the analog of the Piola-Kirchhoff stress tensor. It is an asymmetric stress tensor. The most general isotropic constitutive relation has three material coefficients. Thus, the asymmetric force stress tensor has the form<sup>1</sup>

$$\sigma_{ij} = \lambda \delta_{ij} \beta_{kk} + 2\mu \beta_{(ij)} + 2\gamma \beta_{[ij]}. \quad (2.6)$$

Here  $\mu$  and  $\lambda$  are the Lamé coefficients. The coefficient  $\gamma$  is an additional material parameter due to the skew-symmetric part of the elastic distortion (the elastic rotation). Thus,  $\gamma$  is the module of rotation (see also Kröner [28]). The skew-symmetric stress  $\sigma_{[ij]}$  is caused by the (local) elastic distortion  $\beta_{[ij]}$ . If  $\gamma = 0$  in Eq. (2.6), we obtain the Hooke law with  $\sigma_{[ij]} = 0$ . Thus, in this case the elastic rotation  $\beta_{[ij]}$  is undetermined. The positive semi-definiteness of the elastic distortion energy  $W_{\text{el}} \geq 0$  requires the restriction

$$\mu \geq 0, \quad \gamma \geq 0, \quad 2\mu + 3\lambda \geq 0. \quad (2.7)$$

<sup>1</sup>We are using the notations  $A_{(ij)} \equiv \frac{1}{2}(A_{ij} + A_{ji})$  and  $A_{[ij]} \equiv \frac{1}{2}(A_{ij} - A_{ji})$ .

Another physical state quantity is the translational gauge field strength – the torsion tensor

$$T_{ijk} = \phi_{ik,j} - \phi_{ij,k}, \quad T_{ijk} = -T_{ikj} \quad (2.8)$$

and

$$T_{ijk} = \beta_{ik,j} - \beta_{ij,k}. \quad (2.9)$$

It has the physical meaning of the dislocation density tensor

$$\alpha_{ij} = \frac{1}{2} \epsilon_{jkl} T_{ikl} = \epsilon_{jkl} \beta_{il,k}. \quad (2.10)$$

They fulfill the translational Bianchi identity

$$\epsilon_{jkl} T_{ijk,l} = 0, \quad \alpha_{ij,j} = 0. \quad (2.11)$$

Thus, the physical state quantities are the elastic distortion,  $\beta_{ij}$ , and the dislocation density tensor  $T_{ijk}$ .

The dislocation core energy contains only the translational gauge field strength and is given by

$$W_{\text{disl}} = \frac{1}{4} T_{ijk} H_{ijk} \quad (2.12)$$

with the translational gauge field momentum tensor

$$H_{ijk} = 2 \frac{\partial W_{\text{disl}}}{\partial T_{ijk}}, \quad H_{ijk} = -H_{ikj}. \quad (2.13)$$

The translational gauge field momentum tensor  $H_{ijk}$  is a very special hyperstress tensor. It is the response quantity to the dislocation density tensor and has only nine independent components. It is convenient to perform an irreducible decomposition of the torsion, from which we can construct the most general linear and isotropic constitutive law between the dislocation density and the hyperstress in the following way [20, 21]

$$H_{ijk} = \sum_{I=1}^3 a_I {}^{(I)}T_{ijk}. \quad (2.14)$$

Here  $a_1$ ,  $a_2$  and  $a_3$  are nonnegative material coefficients due to the positive semi-definiteness if the dislocation core energy  $W_{\text{disl}} \geq 0$ . They have the dimension of a force. The irreducible decomposition of the torsion under the rotation group  $SO(3)$ , with the numbers of independent components  $9 = 5 \oplus 3 \oplus 1$ , is given by

$$T_{ijk} = {}^{(1)}T_{ijk} + {}^{(2)}T_{ijk} + {}^{(3)}T_{ijk}. \quad (2.15)$$

The tensor, the trace and the axial tensor pieces are defined by (see also [6, 21])

$${}^{(1)}T_{ijk} = T_{ijk} - {}^{(2)}T_{ijk} - {}^{(3)}T_{ijk} \quad (\text{tensor}) \quad (2.16)$$

$${}^{(2)}T_{ijk} := \frac{1}{2} (\delta_{ij} T_{llk} + \delta_{ik} T_{ljl}) \quad (\text{trator}) \quad (2.17)$$

$${}^{(3)}T_{ijk} := \frac{1}{3} (T_{ijk} + T_{jki} + T_{kij}) \quad (\text{axitor}). \quad (2.18)$$



The hyperstress tensor may be written as

$$H_{ijk} = c_1 T_{ijk} + c_2 (T_{jki} + T_{kij}) + c_3 (\delta_{ij} T_{llk} + \delta_{ik} T_{ljl}) \quad (2.19)$$

with the abbreviations

$$c_1 := \frac{1}{3}(2a_1 + a_3), \quad c_2 := \frac{1}{3}(a_3 - a_1), \quad c_3 := \frac{1}{2}(a_2 - a_1). \quad (2.20)$$

The inverse relations are

$$a_1 = c_1 - c_2 \geq 0, \quad a_2 = c_1 - c_2 + 2c_3 \geq 0, \quad a_3 = 2c_2 + c_1 \geq 0. \quad (2.21)$$

Since  $\beta_{ij}$  and  $T_{ijk}$  are uncoupled from each other, the conditions of positive semi-definiteness,  $W = W_{el} + W_{disl} \geq 0$ , can be studied separately:  $W_{el} \geq 0$  and  $W_{disl} \geq 0$ . Thus, the characteristic constants of the material have to satisfy the conditions (2.7) and (2.21).

With the relations  $H_{im} = \frac{1}{2}\epsilon_{jkm}H_{ijk}$  and  $T_{ijk} = \epsilon_{jkn}\alpha_{in}$ , we obtain from Eq. (2.14) the irreducible decomposition

$$H_{ij} = a_1 \underbrace{\left( \alpha_{(ij)} - \frac{1}{3} \delta_{ij} \alpha_{kk} \right)}_{\text{tantor: } (1)\alpha_{ij}} + a_2 \underbrace{\alpha_{[ij]}}_{\text{trator: } (2)\alpha_{ij}} + a_3 \underbrace{\frac{1}{3} \delta_{ij} \alpha_{kk}}_{\text{axitor: } (3)\alpha_{ij}}. \quad (2.22)$$

Thus, the axitor represents a set of three perpendicular forests of screw dislocations of equal strength. The trator describes forests of edge dislocations:  $\alpha_{xy} = -\alpha_{yx}$ ,  $\alpha_{xz} = -\alpha_{zx}$  and  $\alpha_{yz} = -\alpha_{zy}$ . The tantor is the deviator of the dislocation density tensor and it represents forests of edge dislocations:  $\alpha_{xy} = \alpha_{yx}$ ,  $\alpha_{xz} = \alpha_{zx}$  and  $\alpha_{yz} = \alpha_{zy}$  and screw dislocations:  $(1)\alpha_{xx} = \alpha_{xx} - \frac{1}{3}(\alpha_{xx} + \alpha_{yy} + \alpha_{zz})$ ,  $(1)\alpha_{yy} = \alpha_{yy} - \frac{1}{3}(\alpha_{xx} + \alpha_{yy} + \alpha_{zz})$ ,  $(1)\alpha_{zz} = \alpha_{zz} - \frac{1}{3}(\alpha_{xx} + \alpha_{yy} + \alpha_{zz})$  with  $(1)\alpha_{xx} + (1)\alpha_{yy} + (1)\alpha_{zz} = 0$ . A similar constitutive relation was given earlier by Hehl and Kröner [13], Kröner [14], Katanaev and Volovich [25], Popov and Kröner [26]. Alternatively, the dislocation core energy (2.12) may be rewritten in the form

$$W_{disl} = \frac{1}{2} \alpha_{ij} H_{ij}. \quad (2.23)$$

We want to note that a similar hyperstress tensor like (2.22) in terms of the dislocation density tensor and with three material coefficients was derived by Eringen and Claus [29] in a special case of micromorphic elasticity. Therefore, the static gauge theory of dislocations is related to a micromorphic theory and not to a Cosserat theory if we identify the gauge field  $\phi_{ij}$  with the micro-distortion tensor of micromorphic elasticity [30, 31]. In general, a hyperstress tensor possesses 27 independent components and is the response quantity to the gradient of the micro-distortion tensor. The isotropic constitutive relation of such hyperstress tensor has 11 material parameters (see, e.g., Mindlin [30]).

Since the tensor  $H_{i[jk]}$  has only nine independent components like a couple stress tensor, the following question arises: In which way is the tensor  $H_{ijk}$  related to the couple stress tensor? The contortion tensor is defined in terms of the torsion tensor according to [32, 33, 34]

$$K_{ijk} = -\frac{1}{2}(T_{ijk} + T_{jki} - T_{kij}), \quad K_{ijk} = -K_{jik}. \quad (2.24)$$



A moment stress tensor possesses nine independent components and for an isotropic material the constitutive relations has just three material parameters. The contortion tensor contains nine independent rotational degrees of freedom. Obviously,  $K_{ijk}$  is antisymmetric in  $i, j$ , whereas  $T_{ijk}$  is so in  $j, k$ . With the identity  $K_{lk} = \frac{1}{2}\epsilon_{ijl}K_{ijk}$ , we recover the so-called Nye curvature tensor [35] (see also [36, 37, 38, 39])<sup>2</sup>

$$K_{ij} = \alpha_{ji} - \frac{1}{2}\delta_{ij}\alpha_{ll}, \quad \alpha_{ij} = K_{ji} - \delta_{ij}K_{ll}. \quad (2.25)$$

The moment stress (or spin moment stress tensor) is the response of the crystal to the contortion

$$\tau_{ijk} = \frac{\partial W}{\partial K_{ijk}}, \quad \tau_{ijk} = -\tau_{jik}. \quad (2.26)$$

Thus, contortion produces moment stress and vice versa. We can rewrite the tensor  $H_{ijk}$  in terms of the moment stress tensor  $\tau_{ijk}$  as follows

$$H_{ijk} = -\tau_{ijk} + \tau_{jki} - \tau_{kij} \quad (2.27)$$

$$H_{[ij]k} = -\tau_{ijk}. \quad (2.28)$$

Therefore, the tensor  $H_{ijk}$  is given in terms of moment stresses similar like the torsion in terms of the contortion. Such a tensor  $H_{i[jk]}$  is called pseudomoment stress tensor or sometimes spin energy potential tensor [41, 42, 5, 6]. In addition, we have

$$H_{ij} = \tau_{ji} - \frac{1}{2}\delta_{ij}\tau_{ll}, \quad \tau_{ij} = H_{ji} - \delta_{ij}H_{ll}, \quad (2.29)$$

where  $\tau_{ij} = \partial W / \partial K_{ij}$ . We conclude, torsion produces pseudomoment stress and vice versa. Thus, pseudomoment stress is the specific response to dislocations. In the following we will use the expression pseudomoment stress tensor for  $H_{ijk}$ .

It is known that nontrivial traction boundary problems in the variational formulation of the gauge theory of defects can be formulated by means of a so-called null Lagrangian [12, 17, 43]. When the null Lagrangian is added to the Lagrangian of elasticity, it does not change the ‘classical’ Euler-Lagrange equation (force equilibrium in elasticity theory) because the associated Euler-Lagrange equation,  $\sigma_{ij,j}^0 = 0$ , is identically satisfied. After minimal replacement,  $u_{i,j} \rightarrow \beta_{ij}$ , the null Lagrangian

$$W_{\text{bg}} = \partial_j(\sigma_{ij}^0 u_i) = \sigma_{ij,j}^0 u_i + \sigma_{ij}^0 u_{i,j} \longrightarrow \sigma_{ij}^0 \beta_{ij}, \quad (2.30)$$

gives rise to a background stress tensor  $\sigma_{ij}^0$  which can be considered as the nucleation field in the gauge theory of defects [17].

The Euler-Lagrange equations of  $W = W_{\text{disl}} + W_{\text{el}} - W_{\text{bg}}$  are given by

$$\frac{\delta W}{\delta \beta_{ij}} \equiv \frac{\partial W}{\partial \beta_{ij}} - \partial_k \frac{\partial W}{\partial \beta_{ij,k}} = 0 \quad (2.31)$$

which can be expressed with Eqs. (2.5) and (2.13) as

$$H_{ijk,k} + \sigma_{ij} = \sigma_{ij}^0 \quad (\text{pseudomoment equilibrium}). \quad (2.32)$$

<sup>2</sup>We want to mention that Nye [35] derived originally the Eq. (2.25) if the elastic strain is zero (see also discussion in Li *et al.* [40]). Here we have used the differential geometrical definition (2.24) of the contortion in order to derive (2.25). For non-zero elastic strain Eq. (2.25) was derived by deWit [38].

Thus, the null Lagrangian gives a contribution to the pseudomoment equilibrium condition. Because the pseudomoment stress  $H_{ijk}$  is skewsymmetric in the indices  $j$  and  $k$ , the force equilibrium follows from Eq. (2.32) as a continuity equation

$$\sigma_{ij,j} = 0 \quad (\text{force equilibrium}). \quad (2.33)$$

We want to note that a similar equation like (2.32) has been earlier obtained by Trzęsowski and Sławianowski [44], Kröner [45] from a variational principle in nonlinear dislocation theory. We may rewrite Eq. (2.32) as follows

$$\epsilon_{kjm} H_{in,k} = \sigma_{ij} - \sigma_{ij}^0 \quad (2.34)$$

in order to see that the pseudomoment stress tensor  $H_{in}$  is a kind of a stress function tensor of first order [46]. Eq. (2.32) may be decomposed into the symmetric and antisymmetric parts

$$H_{(ij)k,k} + \sigma_{(ij)} = \sigma_{(ij)}^0 \quad (2.35)$$

$$H_{[ij]k,k} + \sigma_{[ij]} = \sigma_{[ij]}^0 \quad (\text{moment equilibrium}). \quad (2.36)$$

Hence, Eq. (2.36) has an appearance close to Cosserat's moment of momentum equation and  $H_{[ij]k}$  has the meaning of a moment stress tensor. The divergence of the moment stress tensor gives rise to asymmetric force stresses. The existence of moment stresses  $H_{[ij]k}$  demands asymmetric force stresses  $\sigma_{[ij]}$ . However, due to Eq. (2.35) the equilibrium equations of dislocation theory deviate distinctly from those of the Cosserat theory (see also Kröner [45]). Using Eqs. (2.9) and (2.19), we can rewrite the moment equilibrium (2.32) in the following form

$$c_1(\beta_{ik,jk} - \beta_{ij,kk}) + c_2(\beta_{ji,kk} - \beta_{jk,ki} + \beta_{kj,ki} - \beta_{ki,kj}) + c_3[\delta_{ij}(\beta_{lk,kl} - \beta_{ll,kk}) + \beta_{ll,ji} - \beta_{lj,li}] + \sigma_{ij} = \sigma_{ij}^0. \quad (2.37)$$

With the inverse constitutive relation for  $\beta_{ij}$

$$\beta_{ij} = \frac{\gamma + \mu}{4\mu\gamma} \sigma_{ij} + \frac{\gamma - \mu}{4\mu\gamma} \sigma_{ji} - \frac{\nu}{2\mu(1 + \nu)} \delta_{ij} \sigma_{kk} \quad (2.38)$$

where the Poisson ratio  $\nu$  is expressed in terms of the Lamé coefficients

$$\nu = \frac{\lambda}{2(\lambda + \mu)}, \quad \lambda = \frac{2\mu\nu}{1 - 2\nu} \quad (2.39)$$

we are able to rewrite completely the pseudomoment equilibrium condition (2.37) in terms of the force stress tensor according to

$$\begin{aligned} & \left[ (c_1 - c_2 + 2c_3) \frac{2\gamma\nu}{1 + \nu} - 2c_3\gamma \right] (\delta_{ij} \sigma_{ll,kk} - \sigma_{ll,ij}) + 2c_3\gamma \delta_{ij} \sigma_{kl,kl} \\ & + [c_1(\gamma + \mu) - c_2(\gamma - \mu)] (\sigma_{ik,jk} - \sigma_{ij,kk}) + [c_1(\gamma - \mu) - c_2(\gamma + \mu)] (\sigma_{ki,kj} - \sigma_{ji,kk}) \\ & + [2c_2\mu - c_3(\gamma + \mu)] \sigma_{kj,ki} - [2c_2\mu + c_3(\gamma - \mu)] \sigma_{jk,ki} + 4\mu\gamma \sigma_{ij} = 4\mu\gamma \sigma_{ij}^0. \end{aligned} \quad (2.40)$$

If we use the force equilibrium condition  $\sigma_{ij,j} = 0$ , Eq. (2.40) simplifies to

$$\begin{aligned} & \left[ (c_1 - c_2 + 2c_3) \frac{2\gamma\nu}{1 + \nu} - 2c_3\gamma \right] (\delta_{ij} \sigma_{ll,kk} - \sigma_{ll,ij}) - [c_1(\gamma + \mu) - c_2(\gamma - \mu)] \sigma_{ij,kk} \\ & + [c_1(\gamma - \mu) - c_2(\gamma + \mu)] (\sigma_{ki,kj} - \sigma_{ji,kk}) + [2c_2\mu - c_3(\gamma + \mu)] \sigma_{kj,ki} + 4\mu\gamma \sigma_{ij} = 4\mu\gamma \sigma_{ij}^0. \end{aligned} \quad (2.41)$$

Equation (2.41) is the master equation, being the central equation for the force stress tensor in this gauge theory of dislocations. In the next two sections, solutions for screw and edge dislocations will be given.

## 2.2 Comparison to other gauge theories of dislocations

At this point we want to discuss the relation to other translational gauge theories of dislocations which differ in the form of the constitutive relations of the force stress and pseudomoment stress. The differences between the gauge theories of dislocations are mainly the choice of the constitutive relations of the force and pseudomoment stresses. Edelen [11, 12, 17] used a very simple constitutive relation for the pseudomoment stress tensor. The Edelen choice is  $c_1 = 2s$ ,  $c_2 = 0$  and  $c_3 = 0$ . Of course, this is not a general isotropic constitutive law. In addition he assumed symmetric force stresses. Also Valsakumar and Sahoo [16] used this choice for the constitutive relations. Malyshev [18] and Lazar [21, 22] discussed and used the so-called Einstein choice in three dimensions. It is given by:  $a_2 = -a_1$  and  $a_3 = -a_1/2$ . Thus,  $c_1 = a_1/2$ ,  $c_2 = -a_1/2$  and  $c_3 = -a_1$ . In the Einstein choice the pseudomoment stress tensor is symmetric in the first two indices  $H_{ijk} = H_{(ij)k}$  and is given in terms of ‘gradients’ of the elastic strain  $\beta_{(ij)}$ . In this choice,  $H_{(ij)k,k}$  reduces to the Einstein tensor. Another choice  $c_1 = a_1/2$ ,  $c_2 = -a_1/2$  and  $c_3 = \nu/(1 - \nu)a_1$  was used by Lazar [23] to calculate symmetric force stresses of screw and edge dislocations. It can be seen in Eq. (2.21) that the Einstein-choice and also the latter choice violate the condition of nonnegative energy  $W_{\text{disl}} \geq 0$ . The material coefficients  $a_1$ ,  $a_2$  and  $a_3$  have to be nonnegative. But in this paper we use the most general linear constitutive relations (2.6) and (2.19) of an isotropic material with six material parameters. In Table 1 we have listed the choice of the constitutive relations.

	Edelen [10]	Einstein choice [18, 21]	Lazar [23]	present paper
$\mu$	$\mu$	$\mu$	$\mu$	$\mu$
$\nu$	$\nu$	$\nu$	$\nu$	$\nu$
$\gamma$	0	0	0	$\gamma$
$a_1$	$2s$	$a_1$	$a_1$	$a_1$
$a_2$	$2s$	$-a_1$	$\frac{1+\nu}{1-\nu}a_1$	$a_2$
$a_3$	$2s$	$-\frac{a_1}{2}$	$-\frac{a_1}{2}$	$a_3$

Table 1: This table lists the material parameters  $a_I$ ,  $\mu$ ,  $\nu$  and  $\gamma$  for the translational gauge theory of dislocations.

## 2.3 The Green tensor

In this subsection, we want to derive the three-dimensional Green tensor of the master equation (2.41). First we set  $\sigma_{ij}^0 = L_{ij}\delta(x)\delta(y)\delta(z)$ . The fundamental solution of Eq. (2.41) is defined by the equation

$$\begin{aligned} & \left[ (c_1 - c_2 + 2c_3) \frac{2\gamma\nu}{1+\nu} - 2c_3\gamma \right] (\delta_{ij} \sigma_{u,kk} - \sigma_{u,ij}) - [c_1(\gamma + \mu) - c_2(\gamma - \mu)] \sigma_{ij,kk} \\ & + [c_1(\gamma - \mu) - c_2(\gamma + \mu)] (\sigma_{ki,kj} - \sigma_{ji,kk}) + [2c_2\mu - c_3(\gamma + \mu)] \sigma_{kj,ki} \\ & + 4\mu\gamma \sigma_{ij} = 4\mu\gamma L_{ij} \delta(x)\delta(y)\delta(z). \end{aligned} \quad (2.42)$$

We use the notation for the three-dimensional Fourier transform [47, 48]

$$\tilde{f}(\mathbf{q}) \equiv \mathcal{F}_{(3)}[f(\mathbf{r})] = \int_{-\infty}^{\infty} f(\mathbf{r}) e^{+i\mathbf{q}\cdot\mathbf{r}} d\mathbf{r}, \quad f(\mathbf{r}) \equiv \mathcal{F}_{(3)}^{-1}[\tilde{f}(\mathbf{q})] = \frac{1}{(2\pi)^3} \int_{-\infty}^{\infty} \tilde{f}(\mathbf{q}) e^{-i\mathbf{q}\cdot\mathbf{r}} d\mathbf{q}. \quad (2.43)$$

Applying the Fourier transform, it follows that

$$\begin{aligned} & \left[ (c_1 - c_2 + 2c_3) \frac{2\gamma\nu}{1+\nu} - 2c_3\gamma \right] (\delta_{ij} q^2 \tilde{\sigma}_{il} - q_i q_j \tilde{\sigma}_{il}) - [c_1(\gamma + \mu) - c_2(\gamma - \mu)] q^2 \tilde{\sigma}_{ij} \quad (2.44) \\ & + [c_1(\gamma - \mu) - c_2(\gamma + \mu)] (q_k q_j \tilde{\sigma}_{ki} - q^2 \tilde{\sigma}_{ji}) + [2c_2\mu - c_3(\gamma + \mu)] q_k q_i \tilde{\sigma}_{kj} \\ & - 4\mu\gamma \tilde{\sigma}_{ij} = -4\mu\gamma L_{ij}. \end{aligned}$$

The force equilibrium (2.33) reads in the  $\mathbf{q}$ -space:  $\tilde{\sigma}_{ij} q_j = 0$ . Symmetrization, antisymmetrization, taking the trace and the inner product by  $\mathbf{q}$  from left of Eq. (2.44) we deduce

$$[1 + \ell_1^2 q^2] \tilde{\sigma}_{(ij)} - \frac{1}{2} (\ell_1^2 - \ell_2^2) [\delta_{ij} q^2 - q_i q_j] \tilde{\sigma}_{ll} - (\ell_1^2 - \ell_3^2) q_k \tilde{\sigma}_{k(i} q_{j)} = L_{(ij)} \quad (2.45)$$

$$[1 + \ell_4^2 q^2] \tilde{\sigma}_{[ij]} + (\ell_4^2 - \ell_3^2) q_k \tilde{\sigma}_{k[i} q_{j]} = L_{[ij]} \quad (2.46)$$

$$[1 + \ell_2^2 q^2] \tilde{\sigma}_{ll} = L_{ll} \quad (2.47)$$

$$[1 + \ell_3^2 q^2] q_i \tilde{\sigma}_{ij} = q_i L_{ij} \quad (2.48)$$

where the characteristic length scales are defined by

$$\ell_1^2 = \frac{c_1 - c_2}{2\mu} = \frac{a_1}{2\mu} \quad (2.49)$$

$$\ell_2^2 = \frac{(1 - \nu)(c_1 - c_2 + 2c_3)}{2\mu(1 + \nu)} = \frac{(1 - \nu)a_2}{2\mu(1 + \nu)} \quad (2.50)$$

$$\ell_3^2 = \frac{(\mu + \gamma)(c_1 - c_2 + c_3)}{4\mu\gamma} = \frac{(\mu + \gamma)(a_1 + a_2)}{8\mu\gamma} \quad (2.51)$$

$$\ell_4^2 = \frac{c_1 + c_2}{2\gamma} = \frac{a_1 + 2a_3}{6\gamma}. \quad (2.52)$$

The lengths  $\ell_1$ ,  $\ell_2$  and  $\ell_3$  fulfill the following relation

$$\ell_3^2 = \frac{\mu + \gamma}{4\gamma} \left( \ell_1^2 + \frac{1 + \nu}{1 - \nu} \ell_2^2 \right). \quad (2.53)$$

Now some remarks are in order. In the static gauge theory of dislocations we have found four characteristic length scales. These length scales may describe size effects produced by dislocations. They are important in the plastic zone namely the dislocation core. All four length scales depend on the six material parameters of an isotropic material. Thus, they describe the material property on which the influence of the pseudomoment stresses depends strongly. If the ratio of the smallest dimension of the body to the length scales is large, the effects of pseudomoment stresses are negligible. However, when this ratio is not large, pseudomoment stresses may produce effects of appreciable magnitude. This is the case in the dislocation core region. It is interesting to note that the internal length  $\ell_1$  depends on  $\mu$  and has a similar form as the internal length in the couple stress theory [49, 50] and in gradient elasticity [30]. It can be seen that  $\ell_2$  depends on the Poisson number  $\nu$ . This length  $\ell_2$  is the characteristic length of dilatation. Such a length appears also in gradient elasticity [30]. Because the characteristic lengths  $\ell_3$  and  $\ell_4$  depend on  $\gamma$  they look like the two characteristic lengths of micropolar elasticity namely the characteristic lengths for bending and for torsion (see e.g. [51]). Thus, it depends on the physical problem which length scale is of importance. It is clear that for  $\gamma \rightarrow \infty$  just

the bending length, which is the characteristic length in the theory of couple stresses, survives

$$\lim_{\gamma \rightarrow \infty} \ell_3^2 = \frac{c_1 - c_2 + c_3}{4\mu} = \frac{a_1 + a_2}{8\mu}, \quad \lim_{\gamma \rightarrow \infty} \ell_4^2 = 0. \quad (2.54)$$

On the other hand, if  $\gamma = 0$ , then  $\ell_3 \rightarrow \infty$  and  $\ell_4 \rightarrow \infty$ . For the Einstein choice  $a_2 = -a_1$  and  $a_3 = -a_1/2$  the lengths convert to

$$\ell_1^2 = \frac{c_1}{\mu} = \frac{a_1}{2\mu}, \quad \ell_2^2 = -\frac{(1-\nu)c_1}{\mu(1+\nu)} = -\frac{(1-\nu)a_1}{2\mu(1+\nu)}, \quad \ell_3^2 = 0, \quad \ell_4^2 = 0. \quad (2.55)$$

Thus, only two lengths survive. These length scales  $\ell_1^2$  and  $\ell_2^2$  agree with  $\mathcal{M}^{-2}$  and  $-\mathcal{N}^{-2}$  used by Malyshev [18]. In addition, four length scales survive in the Edelen choice together with asymmetric force stresses

$$\ell_1^2 = \frac{s}{\mu}, \quad \ell_2^2 = \frac{(1-\nu)s}{\mu(1+\nu)}, \quad \ell_3^2 = \frac{(\mu+\gamma)s}{2\mu\gamma}, \quad \ell_4^2 = \frac{s}{\gamma}. \quad (2.56)$$

The length scales  $\ell_1^2$  and  $\ell_2^2$  coincide with  $M^{-2}$  and  $N^{-2}$  introduced by Kadić and Edelen [10], Edelen [52]. If  $\gamma = 0$ , then  $\ell_3 \rightarrow \infty$  and  $\ell_4 \rightarrow \infty$ .

From Eqs. (2.45)–(2.48) we obtain

$$\tilde{\sigma}_{ll} = \frac{L_{ll}}{1 + \ell_2^2 q^2} \quad (2.57)$$

$$q_i \tilde{\sigma}_{ij} = \frac{q_i L_{ij}}{1 + \ell_3^2 q^2} \quad (2.58)$$

and

$$\tilde{\sigma}_{(ij)} = \frac{L_{(ij)}}{1 + \ell_1^2 q^2} + \frac{1}{2} (\ell_1^2 - \ell_2^2) \frac{[\delta_{ij} q^2 - q_j q_i] L_{ll}}{(1 + \ell_1^2 q^2)(1 + \ell_2^2 q^2)} + (\ell_1^2 - \ell_3^2) \frac{q_k L_{k(i} q_{j)}}$$

$$\tilde{\sigma}_{[ij]} = \frac{L_{[ij]}}{1 + \ell_4^2 q^2} - (\ell_4^2 - \ell_3^2) \frac{q_k L_{k[i} q_{j]}}{(1 + \ell_4^2 q^2)(1 + \ell_3^2 q^2)}. \quad (2.60)$$

Using the inverse Fourier transformed function [47, 48]

$$\mathcal{F}_{(3)}^{-1} \left[ \frac{1}{q^2 + \frac{1}{\ell^2}} \right] = \frac{1}{4\pi r} e^{-r/\ell}, \quad r = \sqrt{x^2 + y^2 + z^2} \quad (2.61)$$

we find

$$\sigma_{(ij)} = \frac{L_{(ij)}}{4\pi r \ell_1^2} e^{-r/\ell_1} - \frac{L_{kk}}{8\pi} [\delta_{ij} \Delta - \partial_i \partial_j] \left[ \frac{1}{r} (e^{-r/\ell_1} - e^{-r/\ell_2}) \right] - \frac{1}{4\pi} L_{k(i} \partial_j) \partial_k \left[ \frac{1}{r} (e^{-r/\ell_1} - e^{-r/\ell_3}) \right] \quad (2.62)$$

$$\sigma_{[ij]} = \frac{L_{[ij]}}{4\pi r \ell_4^2} e^{-r/\ell_4} + \frac{1}{4\pi} L_{k[i} \partial_j] \partial_k \left[ \frac{1}{r} (e^{-r/\ell_4} - e^{-r/\ell_3}) \right]. \quad (2.63)$$

With  $\sigma_{ij} = \sigma_{(ij)} + \sigma_{[ij]}$ , the fundamental solution can be written in the following form

$$\sigma_{ij} = G_{ijkl} L_{kl} \quad (2.64)$$

where  $G_{ijkl}$  is the Green tensor of Eq. (2.42). So, the Green tensor reads

$$G_{ijkl} = \frac{1}{8\pi} \left\{ (\delta_{ik}\delta_{jl} + \delta_{il}\delta_{jk}) \frac{e^{-r/\ell_1}}{\ell_1^2 r} + (\delta_{ik}\delta_{jl} - \delta_{il}\delta_{jk}) \frac{e^{-r/\ell_4}}{\ell_4^2 r} - (\delta_{ij}\Delta - \partial_i\partial_j)\delta_{kl} \left[ \frac{1}{r} (e^{-r/\ell_1} - e^{-r/\ell_2}) \right] \right. \\ \left. - (\delta_{jl}\partial_i + \delta_{il}\partial_j)\partial_k \left[ \frac{1}{r} (e^{-r/\ell_1} - e^{-r/\ell_3}) \right] - (\delta_{jl}\partial_i - \delta_{il}\partial_j)\partial_k \left[ \frac{1}{r} (e^{-r/\ell_4} - e^{-r/\ell_3}) \right] \right\}. \quad (2.65)$$

Using the convolution theorem, we obtain for the solution of Eq. (2.41)

$$\sigma_{ij} = G_{ijkl} * \sigma_{kl}^0. \quad (2.66)$$

With the help of this equation three-dimensional problems can be solved e.g. dislocation loops.

### 3 Screw dislocation

We consider now a straight screw dislocation. We choose the dislocation line and the Burgers vector in  $z$ -direction:  $b_x = b_y = 0$ ,  $b_z = b$ . First of all, a screw dislocation corresponds to the anti-plane strain problem. Thus, we only have the non-vanishing components of the elastic distortion tensor  $\beta_{zx}$  and  $\beta_{zy}$ . From the constitutive equation (2.6) we obtain the relations valid in anti-plane strain:

$$\sigma_{zx} = \frac{\mu - \gamma}{\mu + \gamma} \sigma_{xz}, \quad \sigma_{zy} = \frac{\mu - \gamma}{\mu + \gamma} \sigma_{yz}. \quad (3.1)$$

In the case of a screw dislocation we want to solve Eq. (2.37) directly. From the force equilibrium condition (2.33), the following condition follows

$$\beta_{zx,x} + \beta_{zy,y} = 0. \quad (3.2)$$

It looks like a gauge condition, but it is nothing else than a consequence of the force equilibrium condition (2.33). Using Eq. (3.2), (2.37) simplifies to

$$\left[ 1 - \frac{c_1}{\mu + \gamma} \Delta \right] \beta_{zx} = \beta_{zx}^0, \quad \left[ 1 + \frac{c_2}{\mu - \gamma} \Delta \right] \beta_{zx} = \beta_{zx}^0, \quad (3.3)$$

$$\left[ 1 - \frac{c_1}{\mu + \gamma} \Delta \right] \beta_{zy} = \beta_{zy}^0, \quad \left[ 1 + \frac{c_2}{\mu - \gamma} \Delta \right] \beta_{zy} = \beta_{zy}^0. \quad (3.4)$$

Here  $\Delta$  denotes the two-dimensional Laplacian. Because we have four equations for two components  $\beta_{zx}$  and  $\beta_{zy}$ , we obtain a relation between  $c_2$  and  $c_1$  as follows<sup>3</sup>

$$c_2 = -\frac{\mu - \gamma}{\mu + \gamma} c_1 \quad (3.5)$$

<sup>3</sup>If  $\gamma = 0$ , we obtain  $c_2 = -c_1$ . If  $c_2 = 0$  like in the Edelen choice, we obtain  $c_1 = 0$ ,  $\ell_1^2 = 0$ ,  $\beta_{zx} = \beta_{zx}^0$  and  $\beta_{zy} = \beta_{zy}^0$ . Thus, only the classical solution of a screw dislocation is allowed in the Edelen choice with symmetric force stresses. Edelen [17] used some ad hoc assumptions like  $\beta_{xz}^0 = \beta_{zx}^0$  to avoid this problems. But in the classical theory it must be:  $\beta_{xz}^0 = 0$ . Also the approach of Valsakumar and Sahoo [16] possesses such lacks.

or in the ‘irreducible’ parameters

$$a_3 = \frac{3\gamma - \mu}{2\mu} a_1. \quad (3.6)$$

Relation (3.5) is a consequence of (3.1). From the relation (3.6) together with the condition of non-negative dislocation core energy (2.21) we obtain the constraint between  $\mu$  and  $\gamma$ :

$$\gamma \geq \frac{\mu}{3}. \quad (3.7)$$

It is important to note that in the case of  $\gamma = 0$ ,  $a_3 = -a_1/2$  violates the condition (2.21). Therefore, the condition of nonnegative dislocation core energy demands asymmetric force stresses. For the Edelen choice ( $a_3 = a_1$ ) we obtain from (3.5) and (3.6):  $\mu = \gamma$ . Thus, it does not make sense to use symmetric force stresses in the Edelen model. Due to these reasons, the Edelen model demands asymmetric force stresses with  $\mu = \gamma$  for a screw dislocation. Therefore, with  $\gamma = \mu$  the correct solution of a screw dislocation of the Edelen model is contained in our general solution of the screw dislocation which we calculate in the following.

If we substitute (3.5) and (3.6) in (2.49) and (2.52), we obtain the characteristic length scale of the anti-plane strain problem

$$\ell_1^2 = \ell_4^2 = \frac{c_1}{\mu + \gamma} = \frac{a_1}{2\mu} \quad (3.8)$$

and the equations for the elastic distortion simplify to

$$[1 - \ell_1^2 \Delta] \beta_{zx} = \beta_{zx}^0, \quad [1 - \ell_1^2 \Delta] \beta_{zy} = \beta_{zy}^0. \quad (3.9)$$

They are two-dimensional inhomogeneous Helmholtz equations. The inhomogeneous parts are given by Eq. (A.2). If we substitute (A.2) into Eq. (3.9), the elastic distortion is easily obtained as

$$\beta_{zx} = -\frac{b}{2\pi} \frac{y}{r^2} \left[ 1 - \frac{r}{\ell_1} K_1\left(\frac{r}{\ell_1}\right) \right], \quad \beta_{zy} = \frac{b}{2\pi} \frac{x}{r^2} \left[ 1 - \frac{r}{\ell_1} K_1\left(\frac{r}{\ell_1}\right) \right] \quad (3.10)$$

where  $K_n$  is the modified Bessel function of the second kind and  $n = 0, 1, \dots$  denotes the order of this function. Substituting the elastic distortions (3.10) into (2.9), the torsion tensor or dislocation tensor is calculated as

$$T_{zxy} = \alpha_{zz} = \frac{b}{2\pi \ell_1^2} K_0\left(\frac{r}{\ell_1}\right). \quad (3.11)$$

The torsion (3.11) generates the following components of the pseudomoment stress tensor (2.19) according

$$H_{xx} = H_{xyz} = c_2 T_{zxy} = -\frac{(\mu - \gamma)b}{2\pi} K_0\left(\frac{r}{\ell_1}\right) \quad (3.12)$$

$$H_{yy} = H_{yzx} = c_2 T_{zxy} = -\frac{(\mu - \gamma)b}{2\pi} K_0\left(\frac{r}{\ell_1}\right) \quad (3.13)$$

$$H_{zz} = H_{zxy} = c_1 T_{zxy} = \frac{(\mu + \gamma)b}{2\pi} K_0\left(\frac{r}{\ell_1}\right). \quad (3.14)$$



Thus, this localized pseudomoment stress caused by a screw dislocation is of torsion-type. It is given in terms of only one length scale  $\ell_1$ . The trace of the pseudomoment stresses is

$$H_{kk} = -\frac{(\mu - 3\gamma)b}{2\pi} K_0\left(\frac{r}{\ell_1}\right). \quad (3.15)$$

Now we want to show how we can solve the master equation (2.41) by means of a suitable stress function ansatz for the asymmetric force stresses of a screw dislocation. With the stress function ansatz we fulfill the force equilibrium condition (2.33). Then we substitute the stress function ansatz into the pseudomoment equilibrium condition (2.41). In the case of a straight screw dislocation Eq. (2.41) reduces to

$$[c_1(\gamma - \mu) - c_2(\gamma + \mu)](\sigma_{yz,yx} - \sigma_{xz,yy}) - [c_1(\gamma + \mu) - c_2(\gamma - \mu)]\Delta\sigma_{zx} + 4\mu\gamma\sigma_{zx} = 4\mu\gamma\sigma_{zx}^0 \quad (3.16)$$

$$[c_1(\gamma - \mu) - c_2(\gamma + \mu)](\sigma_{xz,xy} - \sigma_{yz,xx}) - [c_1(\gamma + \mu) - c_2(\gamma - \mu)]\Delta\sigma_{zy} + 4\mu\gamma\sigma_{zy} = 4\mu\gamma\sigma_{zy}^0 \quad (3.17)$$

$$[c_2(\gamma + \mu) - c_1(\gamma - \mu)]\Delta\sigma_{zx} + [c_2(\gamma - \mu) - c_1(\gamma + \mu)]\Delta\sigma_{xz} \quad (3.18)$$

$$+ [2c_2\mu - c_3(\gamma + \mu)](\sigma_{xz,xx} + \sigma_{yz,xy}) + 4\mu\gamma\sigma_{xz} = 4\mu\gamma\sigma_{xz}^0$$

$$[c_2(\gamma + \mu) - c_1(\gamma - \mu)]\Delta\sigma_{zy} + [c_2(\gamma - \mu) - c_1(\gamma + \mu)]\Delta\sigma_{yz} \quad (3.19)$$

$$+ [2c_2\mu - c_3(\gamma + \mu)](\sigma_{xz,xy} + \sigma_{yz,yy}) + 4\mu\gamma\sigma_{yz} = 4\mu\gamma\sigma_{yz}^0.$$

We introduce the following stress function ansatz, which is suitable for asymmetric force stresses in the anti-plane strain problem,

$$\sigma_{ij} = \begin{pmatrix} 0 & 0 & -\frac{\mu-\gamma}{\mu+\gamma} \partial_y F \\ 0 & 0 & \frac{\mu-\gamma}{\mu+\gamma} \partial_x F \\ -\partial_y F & \partial_x F & 0 \end{pmatrix} \quad (3.20)$$

where  $F$  is a modified Prandtl stress function. Using (3.5), (2.49) and (A.7), we have to solve the two-dimensional inhomogeneous Helmholtz equation

$$[1 - \ell_1^2 \Delta] F = F^0. \quad (3.21)$$

Its solution reads

$$F = \frac{(\mu + \gamma)b}{2\pi} \left[ \ln r + K_0\left(\frac{r}{\ell_1}\right) \right]. \quad (3.22)$$

With Eqs. (3.20) and (3.22) the force stress is calculated as

$$\sigma_{zx} = -\frac{(\mu + \gamma)b}{2\pi} \frac{y}{r^2} \left[ 1 - \frac{r}{\ell_1} K_1\left(\frac{r}{\ell_1}\right) \right], \quad \sigma_{xz} = -\frac{(\mu - \gamma)b}{2\pi} \frac{y}{r^2} \left[ 1 - \frac{r}{\ell_1} K_1\left(\frac{r}{\ell_1}\right) \right], \quad (3.23)$$

$$\sigma_{zy} = \frac{(\mu + \gamma)b}{2\pi} \frac{x}{r^2} \left[ 1 - \frac{r}{\ell_1} K_1\left(\frac{r}{\ell_1}\right) \right], \quad \sigma_{yz} = \frac{(\mu - \gamma)b}{2\pi} \frac{x}{r^2} \left[ 1 - \frac{r}{\ell_1} K_1\left(\frac{r}{\ell_1}\right) \right]. \quad (3.24)$$

In cylindrical coordinates the non-vanishing components of the force stress and elastic distortion tensors read

$$\sigma_{z\phi} = \frac{(\mu + \gamma)b}{2\pi} \frac{1}{r} \left[ 1 - \frac{r}{\ell_1} K_1\left(\frac{r}{\ell_1}\right) \right], \quad \sigma_{\phi z} = \frac{(\mu - \gamma)b}{2\pi} \frac{1}{r} \left[ 1 - \frac{r}{\ell_1} K_1\left(\frac{r}{\ell_1}\right) \right] \quad (3.25)$$

$$\beta_{z\phi} = \frac{b}{2\pi} \frac{1}{r} \left[ 1 - \frac{r}{\ell_1} K_1\left(\frac{r}{\ell_1}\right) \right]. \quad (3.26)$$

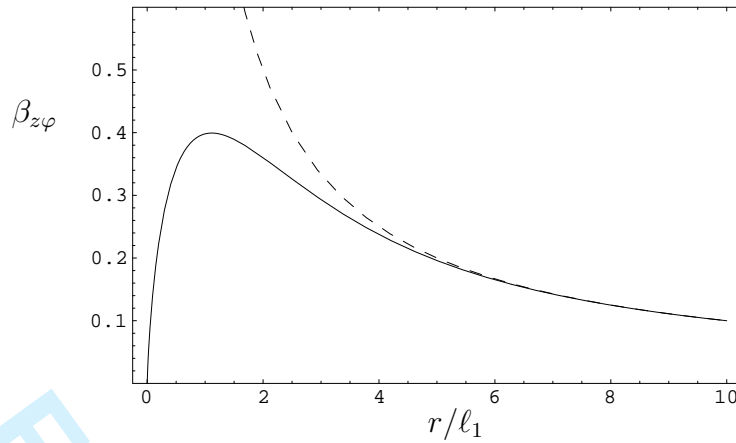


Figure 1: The component  $\beta_{z\phi}$  is given in units of  $b/[2\pi\ell_1]$ . The dashed curve represents the classical component.

The force stress and elastic distortion fields, calculated in the gauge theory, do not possess singularities. In fact, they have at  $r \simeq 1.114\ell_1$  a maximum of:  $\sigma_{z\phi} \simeq 0.399(\mu + \gamma)b/[2\pi\ell_1]$ ,  $\sigma_{\phi z} \simeq 0.399(\mu - \gamma)b/[2\pi\ell_1]$ ,  $\beta_{z\phi} \simeq 0.399b/[2\pi\ell_1]$  (see figure 1). We want to note that if  $\gamma = 0$ , we recover the force stress and pseudomoment stress, the elastic distortion and the dislocation tensor earlier calculated by Malyshev [18] and Lazar [21, 22] in the gauge theory of dislocations with the so-called Einstein choice. The modified Burgers vector is given by

$$b(r) = \oint_0^{2\pi} \beta_{z\phi} r d\phi = \int_0^{2\pi} \int_0^r \alpha_{zz}(r') r' dr' d\phi = b \left[ 1 - \frac{r}{\ell_1} K_1\left(\frac{r}{\ell_1}\right) \right]. \quad (3.27)$$

This modified Burgers vector differs appreciably from the constant value  $b$  in the core region from  $r = 0$  up to  $r \simeq 6\ell_1$ . Thus, it is suggestive to take  $r_c \simeq 6\ell_1$  as the dislocation core radius. Outside this core region, the Burgers vector reaches its constant value. Accordingly, the gauge theoretical solutions approaches the classical one outside the dislocation core region. Due to the cylindrical symmetry of a straight screw dislocation around the dislocation line the physical situation requires only one length scale  $\ell_1$ .

The force between dislocations is the so-called Peach-Koehler force [53, 54, 55]. In the gauge theory of dislocations the gauge invariant formulation of the Peach-Koehler force has been derived by Lazar and Anastassiadis [56]. Kadić and Edelen [11] and Edelen and Lagoudas [12] just derived an expression which is not gauge invariant because they used the canonical Eshelby stress tensor instead of the gauge invariant one. It is given by the convolution of the stress and the dislocation density tensor

$$F_k = -\sigma_{li} * T_{lik} = \epsilon_{kij} \sigma_{li} * \alpha_{lj}. \quad (3.28)$$

It is obvious that (3.28) is similar in the form as the classical expression of the Peach-Koehler force. But, in (3.28) the stress and the dislocation density tensor are the gauge theoretical ones. For a screw dislocation it reads

$$F_x = \sigma_{zy} * \alpha_{zz}, \quad F_y = -\sigma_{zx} * \alpha_{zz}. \quad (3.29)$$

By the convolution theorem, it is in the Fourier space

$$\tilde{F}_x(\mathbf{q}) = \mathcal{F}_{(2)}[F_x] = \tilde{\sigma}_{zy}(\mathbf{q})\tilde{\alpha}_{zz}(\mathbf{q}), \quad \tilde{F}_y(\mathbf{q}) = \mathcal{F}_{(2)}[F_y] = -\tilde{\sigma}_{zx}(\mathbf{q})\tilde{\alpha}_{zz}(\mathbf{q}). \quad (3.30)$$

We use the following notation for the two-dimensional Fourier transform [47, 48]

$$\tilde{f}(\mathbf{q}) \equiv \mathcal{F}_{(2)}[f(\mathbf{r})] = \int_{-\infty}^{\infty} f(\mathbf{r}) e^{+i\mathbf{q}\cdot\mathbf{r}} d\mathbf{r}, \quad f(\mathbf{r}) \equiv \mathcal{F}_{(2)}^{-1}[\tilde{f}(\mathbf{q})] = \frac{1}{(2\pi)^2} \int_{-\infty}^{\infty} \tilde{f}(\mathbf{q}) e^{-i\mathbf{q}\cdot\mathbf{r}} d\mathbf{q}. \quad (3.31)$$

The Fourier transformed functions are

$$\mathcal{F}_{(2)}[\ln r] = -\frac{2\pi}{q^2}, \quad \mathcal{F}_{(2)}\left[K_0\left(\frac{r}{\ell_1}\right)\right] = \frac{2\pi}{q^2 + \frac{1}{\ell_1}} \quad (3.32)$$

and we obtain

$$\tilde{\sigma}_{zy}(\mathbf{q}) = (\mu + \gamma)b \frac{iq_x}{\ell_1^2 q^2 (q^2 + \frac{1}{\ell_1})}, \quad \tilde{\sigma}_{zx}(\mathbf{q}) = -(\mu + \gamma)b \frac{iq_y}{\ell_1^2 q^2 (q^2 + \frac{1}{\ell_1})} \quad (3.33)$$

$$\tilde{\alpha}_{zz}(\mathbf{q}) = b' \frac{1}{\ell_1^2 (q^2 + \frac{1}{\ell_1})}. \quad (3.34)$$

The Fourier transformed Peach-Koehler force  $\tilde{F}_x$  is

$$\tilde{F}_x(\mathbf{q}) = (\mu + \gamma)bb' \frac{iq_x}{\ell_1^4 q^2 (q^2 + \frac{1}{\ell_1})^2}. \quad (3.35)$$

Using the inverse Fourier transform, the Peach-Koehler force  $F_x$  is calculated as

$$\begin{aligned} F_x &= -(\mu + \gamma)bb' \partial_x \mathcal{F}_{(2)}^{-1} \left[ \frac{1}{q^2} - \frac{1}{q^2 + \frac{1}{\ell_1}} - \frac{1}{\ell_1^2 (q^2 + \frac{1}{\ell_1})^2} \right] \\ &= (\mu + \gamma)bb' \partial_x \left[ \ln r + K_0\left(\frac{r}{\ell_1}\right) + \frac{r}{2\ell_1} K_1\left(\frac{r}{\ell_1}\right) \right] \\ &= \frac{(\mu + \gamma)bb'}{2\pi} \frac{x}{r^2} \left[ 1 - \frac{r}{\ell_1} K_1\left(\frac{r}{\ell_1}\right) - \frac{r^2}{2\ell_1^2} K_0\left(\frac{r}{\ell_1}\right) \right]. \end{aligned} \quad (3.36)$$

After an analogous computation we obtain for the component  $F_y$

$$F_y = \frac{(\mu + \gamma)bb'}{2\pi} \frac{y}{r^2} \left[ 1 - \frac{r}{\ell_1} K_1\left(\frac{r}{\ell_1}\right) - \frac{r^2}{2\ell_1^2} K_0\left(\frac{r}{\ell_1}\right) \right]. \quad (3.37)$$

In polar coordinates, the non-vanishing component reads:

$$F_r = \frac{(\mu + \gamma)bb'}{2\pi} \frac{1}{r} \left[ 1 - \frac{r}{\ell_1} K_1\left(\frac{r}{\ell_1}\right) - \frac{r^2}{2\ell_1^2} K_0\left(\frac{r}{\ell_1}\right) \right]. \quad (3.38)$$

The Peach-Koehler force between two screw dislocations is a radial force. It has a maximum of:  $F_r \simeq 0.2488(\mu + \gamma)bb'/[2\pi\ell_1]$  at  $r \simeq 2.324\ell_1$  and is zero at  $r = 0$  (see figure 2). It is interesting to note that the maximum of the Peach-Koehler force calculated in the framework of nonlocal elasticity is higher than our gauge theoretical result (see Eringen [57, 58], Lazar [59]). If one calculates the gradient of the elastic interaction energy between two screw dislocations, then also the result (3.38) follows. But, if one uses the 'total' interaction energy including the core contribution, one does not get the Peach-Koehler force. Because Valsakumar and Sahoo [60] used the 'total' interaction energy, they have not calculated the Peach-Koehler force in the gauge theory. Nevertheless, their result is in agreement with the nonlocal expression calculated by Eringen [57].

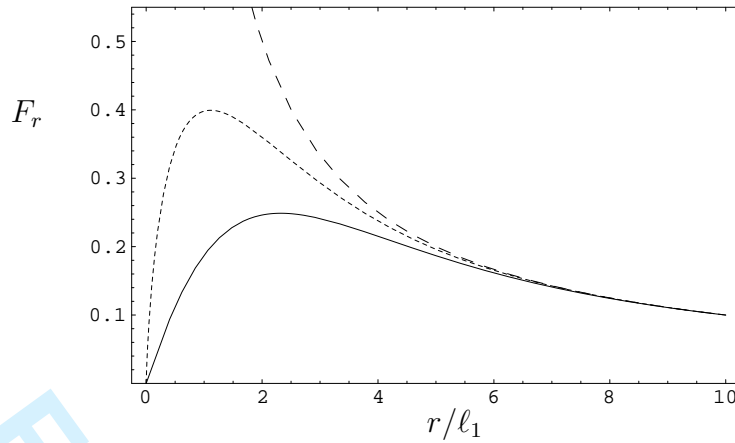


Figure 2: The component  $F_r$  is given in units of  $\mu b b' / [2\pi \ell_1]$  ( $\gamma = 0$ ). The small dashed curve represents the nonlocal result and the dashed curve represents the classical component.

## 4 Edge dislocation

In this section we consider a straight edge dislocation. We choose the dislocation line in the  $z$ -direction and the Burgers vector reads  $b_x = b$ ,  $b_y = 0$ ,  $b_z = 0$ . The problem of an edge dislocation corresponds to plane strain.

### 4.1 The general case

Let us turn to the edge dislocation in the framework of the gauge theory of dislocations. In this case the master equation (2.37) reduces to

$$\begin{aligned} & [(c_1 - c_2 + 2c_3) 2\gamma\nu - 2c_3\gamma(1 + \nu)](\sigma_{xx,yy} + \sigma_{yy,yy}) - 2\gamma(c_1 - c_2)\Delta\sigma_{xx} \\ & + [(c_1 - c_2)(\gamma - \mu) - c_3(\gamma + \mu)](\sigma_{xx,xx} + \sigma_{yy,yy}) + 4\mu\gamma\sigma_{xx} = 4\mu\gamma\sigma_{xx}^0 \end{aligned} \quad (4.1)$$

$$\begin{aligned} & [(c_1 - c_2 + 2c_3) 2\gamma\nu - 2c_3\gamma(1 + \nu)](\sigma_{xx,xx} + \sigma_{yy,yy}) - 2\gamma(c_1 - c_2)\Delta\sigma_{yy} \\ & + [(c_1 - c_2)(\gamma - \mu) - c_3(\gamma + \mu)](\sigma_{xy,xy} + \sigma_{yy,yy}) + 4\mu\gamma\sigma_{yy} = 4\mu\gamma\sigma_{yy}^0 \end{aligned} \quad (4.2)$$

$$\begin{aligned} & [c_1(\gamma - \mu) - c_2(\gamma + \mu)](\sigma_{xx,xy} - \sigma_{yy,xx}) + [2c_2\mu - c_3(\gamma + \mu)](\sigma_{xy,xx} + \sigma_{yy,yy}) \\ & - [(c_1 - c_2 + 2c_3) 2\gamma\nu - 2c_3\gamma(1 + \nu)](\sigma_{xx,xy} + \sigma_{yy,xy}) \\ & - [c_1(\gamma + \mu) - c_2(\gamma - \mu)]\Delta\sigma_{xy} + 4\mu\gamma\sigma_{xy} = 4\mu\gamma\sigma_{xy}^0 \end{aligned} \quad (4.3)$$

$$\begin{aligned} & [c_1(\gamma - \mu) - c_2(\gamma + \mu)](\sigma_{yy,yx} - \sigma_{yx,yy}) + [2c_2\mu - c_3(\gamma + \mu)](\sigma_{xx,xy} + \sigma_{yy,yy}) \\ & - [(c_1 - c_2 + 2c_3) 2\gamma\nu - 2c_3\gamma(1 + \nu)](\sigma_{xx,xy} + \sigma_{yy,xy}) \\ & - [c_1(\gamma + \mu) - c_2(\gamma - \mu)]\Delta\sigma_{yx} + 4\mu\gamma\sigma_{yx} = 4\mu\gamma\sigma_{yx}^0 \end{aligned} \quad (4.4)$$

$$\left[1 - \frac{(1 - \nu)c_3}{2\mu\nu}\Delta\right]\sigma_{zz} = \sigma_{zz}^0. \quad (4.5)$$

We used the plane strain condition  $\sigma_{zz} = \nu(\sigma_{xx} + \sigma_{yy})$  because we require plane strain for an edge dislocation in the gauge theory.

For the asymmetric force stress we use the stress function ansatz of Mindlin-type with

the two modified stress functions  $f$  and  $\Psi$ :

$$\sigma_{ij} = \begin{pmatrix} \partial_{yy}^2 f - \partial_{xy}^2 \Psi & -\partial_{xy}^2 f + \partial_{xx}^2 \Psi & 0 \\ -\partial_{xy}^2 f - \partial_{yy}^2 \Psi & \partial_{xx}^2 f + \partial_{xy}^2 \Psi & 0 \\ 0 & 0 & \nu \Delta f \end{pmatrix}. \quad (4.6)$$

This stress function ansatz (4.6) has been also used by Lazar and Maugin [61] in gradient micropolar elasticity. If we substitute (4.6) into the coupled system of equations (4.1)–(4.5), we obtain the decoupled equations

$$\frac{\partial^2}{\partial y^2} \left[ \left( 1 - \frac{(c_1 - c_2 + c_3)(1 - \nu)}{2\mu} \Delta \right) f - f^0 \right] - \frac{\partial^2}{\partial x \partial y} \left[ \left( 1 - \frac{(c_1 - c_2 + c_3)(\mu + \gamma)}{4\mu\gamma} \Delta \right) \Psi - \Psi^0 \right] = 0 \quad (4.7)$$

$$\frac{\partial^2}{\partial x^2} \left[ \left( 1 - \frac{(c_1 - c_2 + c_3)(1 - \nu)}{2\mu} \Delta \right) f - f^0 \right] + \frac{\partial^2}{\partial x \partial y} \left[ \left( 1 - \frac{(c_1 - c_2 + c_3)(\mu + \gamma)}{4\mu\gamma} \Delta \right) \Psi - \Psi^0 \right] = 0 \quad (4.8)$$

$$\frac{\partial^2}{\partial x \partial y} \left[ \left( 1 - \frac{(c_1 - c_2 + c_3)(1 - \nu)}{2\mu} \Delta \right) f - f^0 \right] - \frac{\partial^2}{\partial x^2} \left[ \left( 1 - \frac{(c_1 - c_2 + c_3)(\mu + \gamma)}{4\mu\gamma} \Delta \right) \Psi - \Psi^0 \right] = 0 \quad (4.9)$$

$$\frac{\partial^2}{\partial x \partial y} \left[ \left( 1 - \frac{(c_1 - c_2 + c_3)(1 - \nu)}{2\mu} \Delta \right) f - f^0 \right] + \frac{\partial^2}{\partial y^2} \left[ \left( 1 - \frac{(c_1 - c_2 + c_3)(\mu + \gamma)}{4\mu\gamma} \Delta \right) \Psi - \Psi^0 \right] = 0 \quad (4.10)$$

$$\Delta \left[ \left( 1 - \frac{c_3(1 - \nu)}{2\mu\nu} \Delta \right) f - f^0 \right] = 0. \quad (4.11)$$

The addition of Eqs. (4.7) and (4.8) gives

$$\Delta \left[ \left( 1 - \frac{(c_1 - c_2 + c_3)(1 - \nu)}{2\mu} \Delta \right) f - f^0 \right] = 0. \quad (4.12)$$

For the moment equilibrium condition (2.36), we obtain

$$\Delta \left[ \left( 1 - \frac{(c_1 - c_2 + c_3)(\mu + \gamma)}{4\mu\gamma} \Delta \right) \Psi - \Psi^0 \right] = 0. \quad (4.13)$$

If we compare (4.11) with (4.12), we obtain the following constraint between  $c_1$ ,  $c_2$  and  $c_3$ :<sup>4</sup>

$$c_3 = \frac{\nu}{1 - \nu} (c_1 - c_2) \quad (4.14)$$

<sup>4</sup>This relation is not fulfilled in the Einstein choice and  $c_1 - c_2 + c_3 = 0$ . In the Edelen choice  $c_3 = 0$ ,  $c_2 = 0$ , we obtain from (4.14)  $c_1 = 0$ ,  $\ell_2 = 0$  and  $\ell_3 = 0$ . Thus, only  $f = f^0$  and  $\Psi = \Psi^0$  are allowed with the Edelen choice if the plane strain condition is fulfilled. Due to these reasons, Edelen [52], Kadić and Edelen [11], Malyshev [18] used a stress function ansatz not fulfilling the plane strain condition.

or in 'irreducible' parameters

$$a_2 = \frac{1 + \nu}{1 - \nu} a_1. \quad (4.15)$$

This constraint is nothing but a consequence of the relation  $\sigma_{zz} = \nu(\sigma_{xx} + \sigma_{yy})$  valid in the plane strain problem. We want to note that this constraint (4.15) has been earlier derived by Lazar [23]. With  $-1 \leq \nu \leq 1/2$ , we get from (4.15) the relation

$$0 \leq a_2 \leq 3a_1. \quad (4.16)$$

If we substitute (4.14) and (4.15) into (2.50) and (2.51), we obtain the two characteristic length scales of the plane strain problem

$$\ell_2^2 = \frac{c_1 - c_2}{2\mu} = \frac{1}{2\mu} a_1 \quad (4.17)$$

$$\ell_3^2 = \frac{(c_1 - c_2)(\mu + \gamma)}{4\mu(1 - \nu)\gamma} = \frac{\mu + \gamma}{4\mu(1 - \nu)\gamma} a_1. \quad (4.18)$$

The relation between these internal lengths is

$$\ell_3^2 = \frac{\mu + \gamma}{2(1 - \nu)\gamma} \ell_2^2. \quad (4.19)$$

Therefore, we obtain from Eqs. (4.7)–(4.11) two inhomogeneous Helmholtz equations which we have to solve

$$[1 - \ell_2^2 \Delta] f = f^0 \quad (4.20)$$

$$[1 - \ell_3^2 \Delta] \Psi = \Psi^0 \quad (4.21)$$

where the inhomogeneous parts are given by (B.14) and (B.15). The solutions of Eqs. (4.20) and (4.21) are the following modified 'Airy' stress functions

$$f = -\frac{\mu b}{4\pi(1 - \nu)} \partial_y \left\{ r^2 \ln r + 4 \ell_2^2 \left[ \ln r + K_0 \left( \frac{r}{\ell_2} \right) \right] \right\} \quad (4.22)$$

$$\Psi = \frac{\mu \gamma b}{2\pi(\mu + \gamma)} \partial_x \left\{ r^2 \ln r + 4 \ell_3^2 \left[ \ln r + K_0 \left( \frac{r}{\ell_3} \right) \right] \right\}. \quad (4.23)$$

If we substitute the stress functions (4.22) and (4.23) into the stress function ansatz (4.6),

the following components of the force stress tensor follow

$$\begin{aligned} \sigma_{xx} = & -\frac{y}{r^4} \left\{ A \left[ (y^2 + 3x^2) + \frac{4\ell_2^2}{r^2} (y^2 - 3x^2) - 2y^2 \frac{r}{\ell_2} K_1 \left( \frac{r}{\ell_2} \right) - 2(y^2 - 3x^2) K_2 \left( \frac{r}{\ell_2} \right) \right] \right. \\ & \left. - B \left[ (x^2 - y^2) - \frac{4\ell_3^2}{r^2} (3x^2 - y^2) + 2x^2 \frac{r}{\ell_3} K_1 \left( \frac{r}{\ell_3} \right) - 2(y^2 - 3x^2) K_2 \left( \frac{r}{\ell_3} \right) \right] \right\} \quad (4.24) \end{aligned}$$

$$\begin{aligned} \sigma_{yy} = & -\frac{y}{r^4} \left\{ A \left[ (y^2 - x^2) - \frac{4\ell_2^2}{r^2} (y^2 - 3x^2) - 2x^2 \frac{r}{\ell_2} K_1 \left( \frac{r}{\ell_2} \right) + 2(y^2 - 3x^2) K_2 \left( \frac{r}{\ell_2} \right) \right] \right. \\ & \left. + B \left[ (x^2 - y^2) - \frac{4\ell_3^2}{r^2} (3x^2 - y^2) + 2x^2 \frac{r}{\ell_3} K_1 \left( \frac{r}{\ell_3} \right) + 2(3x^2 - y^2) K_2 \left( \frac{r}{\ell_3} \right) \right] \right\} \quad (4.25) \end{aligned}$$

$$\begin{aligned} \sigma_{xy} = & \frac{x}{r^4} \left\{ A \left[ (x^2 - y^2) - \frac{4\ell_2^2}{r^2} (x^2 - 3y^2) - 2y^2 \frac{r}{\ell_2} K_1 \left( \frac{r}{\ell_2} \right) + 2(x^2 - 3y^2) K_2 \left( \frac{r}{\ell_2} \right) \right] \right. \\ & \left. + B \left[ (x^2 + 3y^2) + \frac{4\ell_3^2}{r^2} (x^2 - 3y^2) - 2x^2 \frac{r}{\ell_3} K_1 \left( \frac{r}{\ell_3} \right) - 2(x^2 - 3y^2) K_2 \left( \frac{r}{\ell_3} \right) \right] \right\} \quad (4.26) \end{aligned}$$

$$\begin{aligned} \sigma_{yx} = & \frac{x}{r^4} \left\{ A \left[ (x^2 - y^2) - \frac{4\ell_2^2}{r^2} (x^2 - 3y^2) - 2y^2 \frac{r}{\ell_2} K_1 \left( \frac{r}{\ell_2} \right) + 2(x^2 - 3y^2) K_2 \left( \frac{r}{\ell_2} \right) \right] \right. \\ & \left. - B \left[ (x^2 - y^2) - \frac{4\ell_3^2}{r^2} (x^2 - 3y^2) - 2y^2 \frac{r}{\ell_3} K_1 \left( \frac{r}{\ell_3} \right) + 2(x^2 - 3y^2) K_2 \left( \frac{r}{\ell_3} \right) \right] \right\} \quad (4.27) \end{aligned}$$

$$\sigma_{zz} = -2\nu A \frac{y}{r^2} \left[ 1 - \frac{r}{\ell_2} K_1 \left( \frac{r}{\ell_2} \right) \right] \quad (4.28)$$

with

$$A := \frac{\mu b}{2\pi(1-\nu)}, \quad B := \frac{\mu\gamma b}{\pi(\mu+\gamma)}. \quad (4.29)$$

The trace of the stress tensor is

$$\sigma_{kk} = -2(1+\nu) A \frac{y}{r^2} \left[ 1 - \frac{r}{\ell_2} K_1 \left( \frac{r}{\ell_2} \right) \right]. \quad (4.30)$$

The skew-symmetric part of the force stress tensor reads

$$\sigma_{[xy]} = \frac{\mu\gamma b}{\pi(\mu+\gamma)} \frac{x}{r^2} \left[ 1 - \frac{r}{\ell_3} K_1 \left( \frac{r}{\ell_3} \right) \right]. \quad (4.31)$$

Now we want to discuss some details of the core modification of the force stress fields (4.24)–(4.28). The spatial distributions of the force stresses near the dislocation line are presented in figure 3. The force stress fields have no artificial singularities at the core and the maximum stress occurs at a short distance away from the dislocation line (see figures 4 and 5). They are zero at  $r = 0$ . It can be seen that the stresses have the following extreme values:  $|\sigma_{xx}(0, y)| \simeq 0.546A/\ell_2 + 0.260B/\ell_3$  at  $|y| \simeq (0.996\ell_2 + 1.494\ell_3)/2$ ,  $|\sigma_{yy}(0, y)| \simeq 0.260A/\ell_2 - 0.260B/\ell_3$  at  $|y| \simeq (1.494\ell_2 + 1.494\ell_3)/2$ ,  $|\sigma_{xy}(x, 0)| \simeq 0.260A/\ell_2 + 0.546B/\ell_3$  at  $|x| \simeq (1.494\ell_2 + 0.996\ell_3)/2$ ,  $|\sigma_{yx}(x, 0)| \simeq 0.260A/\ell_2 - 0.260B/\ell_3$  at  $|x| \simeq (1.494\ell_2 + 1.494\ell_3)/2$ , and  $|\sigma_{zz}(0, y)| \simeq 0.399A$  at  $|y| \simeq 1.114\ell_2$ . Thus, the characteristic internal lengths  $\ell_2$  and  $\ell_3$  determine the position and the magnitude of the stress maxima. For  $\gamma > 0$  the stresses  $\sigma_{xx}$  and  $\sigma_{xy}$  are bigger than in the case  $\gamma = 0$  and  $\sigma_{yy}$  and  $\sigma_{yx}$  are smaller than in the case  $\gamma = 0$  (see figure 5).



Using Eq. (2.38), we find for the elastic distortion

$$\beta_{xx} = -\frac{y}{r^4} \left\{ \frac{A}{2\mu} \left[ (1-2\nu)r^2 + 2x^2 + \frac{4\ell_2^2}{r^2}(y^2 - 3x^2) \right. \right. \quad (4.32)$$

$$\left. \left. - 2(y^2 - \nu r^2) \frac{r}{\ell_2} K_1\left(\frac{r}{\ell_2}\right) - 2(y^2 - 3x^2) K_2\left(\frac{r}{\ell_2}\right) \right] \right.$$

$$\left. - \frac{B}{2\mu} \left[ (x^2 - y^2) - \frac{4\ell_3^2}{r^2}(3x^2 - y^2) + 2x^2 \frac{r}{\ell_3} K_1\left(\frac{r}{\ell_3}\right) - 2(y^2 - 3x^2) K_2\left(\frac{r}{\ell_3}\right) \right] \right\}$$

$$\beta_{yy} = -\frac{y}{r^4} \left\{ \frac{A}{2\mu} \left[ (1-2\nu)r^2 - 2x^2 - \frac{4\ell_2^2}{r^2}(y^2 - 3x^2) \right. \quad (4.33)$$

$$\left. - 2(x^2 - \nu r^2) \frac{r}{\ell_2} K_1\left(\frac{r}{\ell_2}\right) + 2(y^2 - 3x^2) K_2\left(\frac{r}{\ell_2}\right) \right]$$

$$\left. + \frac{B}{2\mu} \left[ (x^2 - y^2) - \frac{4\ell_3^2}{r^2}(3x^2 - y^2) + 2x^2 \frac{r}{\ell_3} K_1\left(\frac{r}{\ell_3}\right) + 2(3x^2 - y^2) K_2\left(\frac{r}{\ell_3}\right) \right] \right\}$$

$$\beta_{xy} = \frac{x}{r^4} \left\{ \frac{A}{2\mu} \left[ (x^2 - y^2) - \frac{4\ell_2^2}{r^2}(x^2 - 3y^2) - 2y^2 \frac{r}{\ell_2} K_1\left(\frac{r}{\ell_2}\right) + 2(x^2 - 3y^2) K_2\left(\frac{r}{\ell_2}\right) \right] \right.$$

$$\left. + \frac{B}{2\mu} \left[ 2y^2 + \frac{4\ell_3^2}{r^2}(x^2 - 3y^2) - (x^2 - y^2) \frac{r}{\ell_3} K_1\left(\frac{r}{\ell_3}\right) - 2(x^2 - 3y^2) K_2\left(\frac{r}{\ell_3}\right) \right] \right.$$

$$\left. + \frac{B}{2\gamma} r^2 \left[ 1 - \frac{r}{\ell_3} K_1\left(\frac{r}{\ell_3}\right) \right] \right\} \quad (4.34)$$

$$\beta_{yx} = \frac{x}{r^4} \left\{ \frac{A}{2\mu} \left[ (x^2 - y^2) - \frac{4\ell_2^2}{r^2}(x^2 - 3y^2) - 2y^2 \frac{r}{\ell_2} K_1\left(\frac{r}{\ell_2}\right) + 2(x^2 - 3y^2) K_2\left(\frac{r}{\ell_2}\right) \right] \right.$$

$$\left. + \frac{B}{2\mu} \left[ 2y^2 + \frac{4\ell_3^2}{r^2}(x^2 - 3y^2) - (x^2 - y^2) \frac{r}{\ell_3} K_1\left(\frac{r}{\ell_3}\right) - 2(x^2 - 3y^2) K_2\left(\frac{r}{\ell_3}\right) \right] \right.$$

$$\left. - \frac{B}{2\gamma} r^2 \left[ 1 - \frac{r}{\ell_3} K_1\left(\frac{r}{\ell_3}\right) \right] \right\}. \quad (4.35)$$

The dilatation reads

$$\beta_{kk} = -\frac{(1-2\nu)A}{\mu} \frac{y}{r^2} \left[ 1 - \frac{r}{\ell_2} K_1\left(\frac{r}{\ell_2}\right) \right]. \quad (4.36)$$

In addition the elastic rotation is

$$\beta_{[xy]} = \frac{\mu b}{2\pi(\mu + \gamma)} \frac{x}{r^2} \left[ 1 - \frac{r}{\ell_3} K_1\left(\frac{r}{\ell_3}\right) \right]. \quad (4.37)$$

In Eqs. (4.36) and (4.37) it can be seen that  $\ell_2$  and  $\ell_3$  are the characteristic lengths for the elastic dilatation and elastic rotation, respectively.

Using the elastic distortion (4.32)–(4.35) in terms of the stress functions  $f$  and  $\Psi$ , we obtain for the torsion (2.9) or the dislocation density of a straight edge dislocation according

$$\alpha_{xz} = T_{xy} = -\frac{1-\nu}{2\mu} \partial_y \Delta f + \frac{\mu + \gamma}{4\mu\gamma} \partial_x \Delta \Psi \quad (4.38)$$

$$\alpha_{yz} = T_{yx} = \frac{1-\nu}{2\mu} \partial_x \Delta f + \frac{\mu + \gamma}{4\mu\gamma} \partial_y \Delta \Psi. \quad (4.39)$$

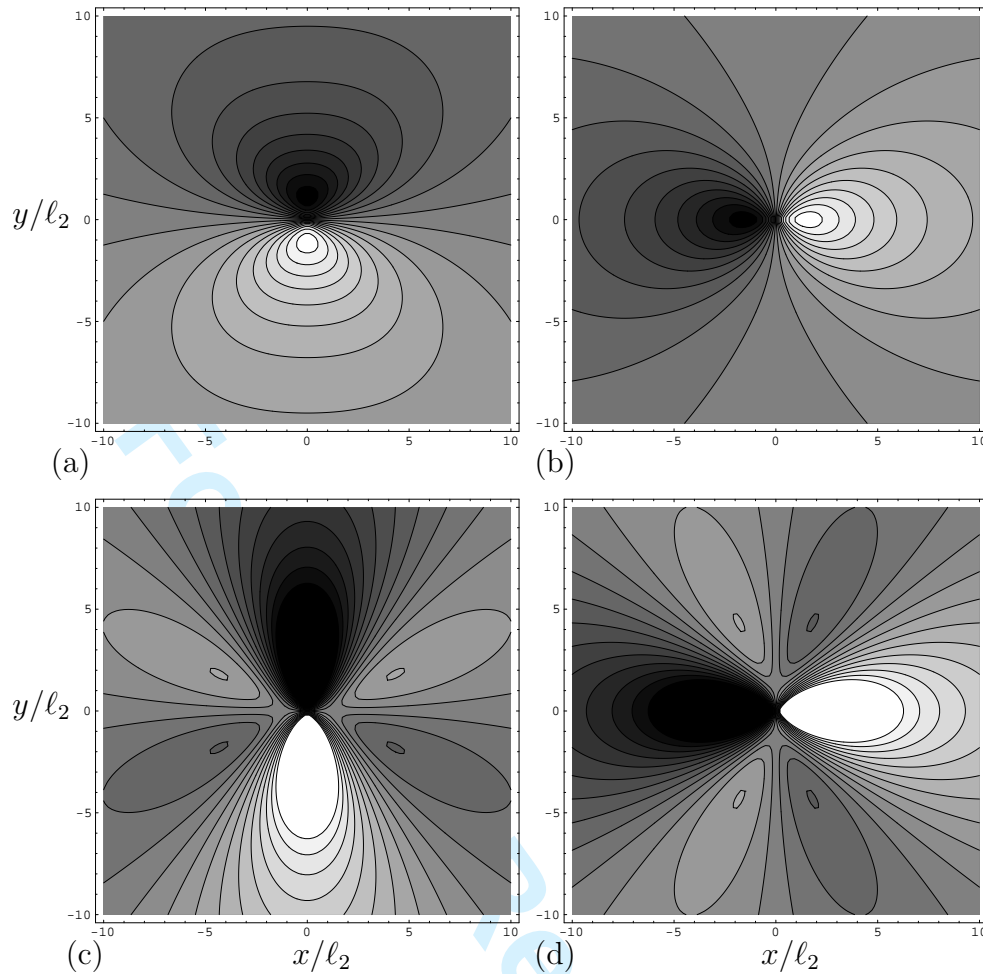


Figure 3: Force stress contours of an edge dislocation near the dislocation line: (a)  $\sigma_{xx}$ , (b)  $\sigma_{xy}$ , (c)  $\sigma_{yy}$ , (d)  $\sigma_{yx}$  with  $\nu = 0.3$  and  $\gamma = \mu/2$ .

Simple differentiation gives the non-vanishing expressions

$$\alpha_{xz} = \frac{b}{4\pi} \left\{ \frac{1}{\ell_2^2} K_0\left(\frac{r}{\ell_2}\right) + \frac{1}{\ell_3^2} K_0\left(\frac{r}{\ell_3}\right) - \frac{x^2 - y^2}{r^2} \left[ \frac{1}{\ell_2^2} K_2\left(\frac{r}{\ell_2}\right) - \frac{1}{\ell_3^2} K_2\left(\frac{r}{\ell_3}\right) \right] \right\} \quad (4.40)$$

$$\alpha_{yz} = -\frac{b}{2\pi} \frac{xy}{r^2} \left[ \frac{1}{\ell_2^2} K_2\left(\frac{r}{\ell_2}\right) - \frac{1}{\ell_3^2} K_2\left(\frac{r}{\ell_3}\right) \right]. \quad (4.41)$$

So far, it is surprising that the component (4.41), which is usually the dislocation density of an edge dislocation with Burgers vector  $b_y$ , is non-zero. The components (4.40) and (4.41) are necessary to fulfill the pseudomomentum equilibrium condition (2.32). Also we would like to note that these non-vanishing components of the torsion tensor do not have cylindrical symmetry due to the  $K_2$ -terms (see figure 6). Since an edge dislocation is lacking cylindrical symmetry around the dislocation line two length scales,  $\ell_2$  and  $\ell_3$ , are needed for a proper model. Fig. 6a shows this asymmetry in the dislocation core region of an edge dislocation.

With Eqs. (2.19) and (2.22) the localized pseudomoment stresses of bending type are

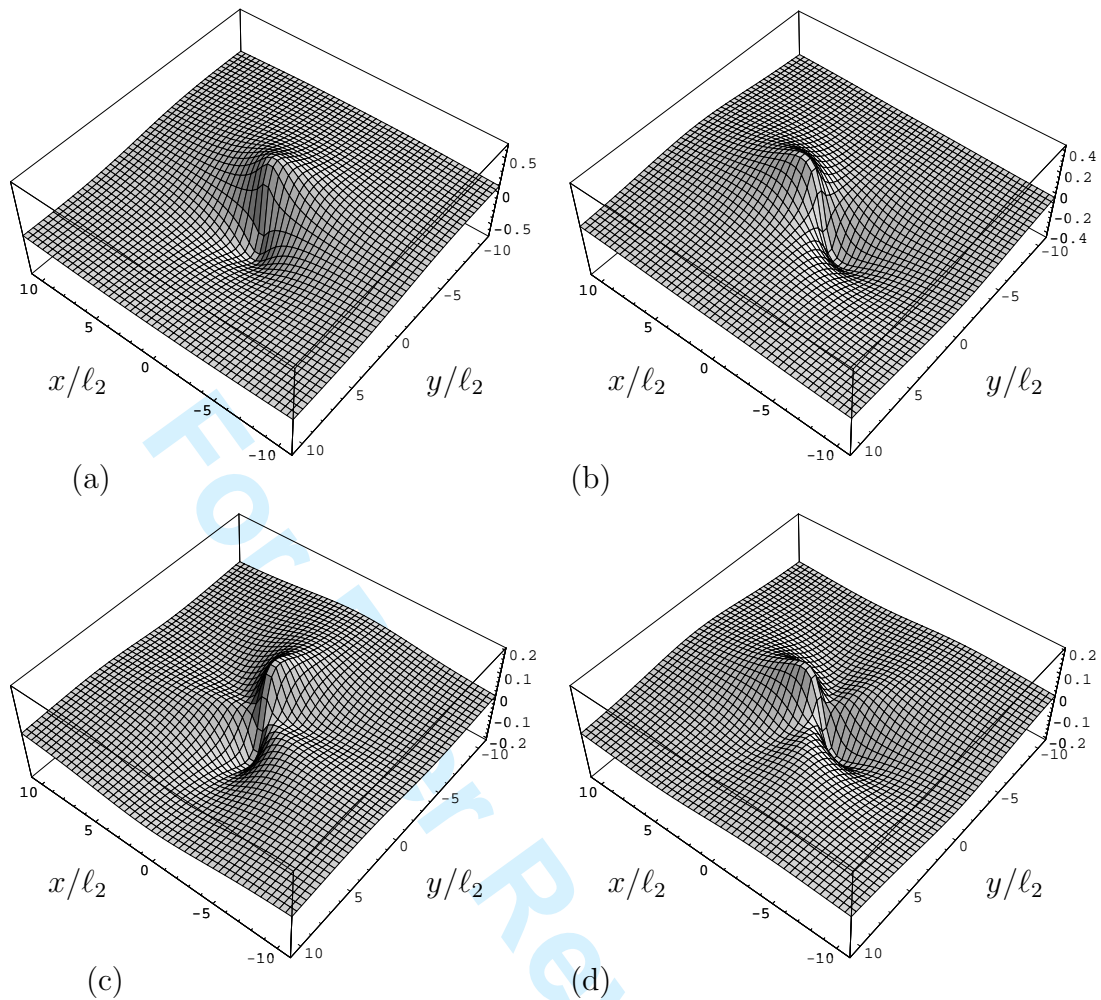


Figure 4: Force stress of an edge dislocation: (a)  $\sigma_{xx}$ , (b)  $\sigma_{xy}$ , (c)  $\sigma_{yy}$ , (d)  $\sigma_{yx}$  are given in units of  $A$  with  $\nu = 0.3$  and  $\gamma = \mu/2$ .

given by

$$H_{xz} = H_{xxy} = \frac{1}{1-\nu} (c_1 - c_2) \alpha_{xz} \quad (4.42)$$

$$= A \left[ K_0 \left( \frac{r}{\ell_2} \right) - \frac{x^2 - y^2}{r^2} K_2 \left( \frac{r}{\ell_2} \right) \right] + B \left[ K_0 \left( \frac{r}{\ell_3} \right) + \frac{x^2 - y^2}{r^2} K_2 \left( \frac{r}{\ell_3} \right) \right] \quad (4.43)$$

$$H_{zx} = H_{zxy} = -\frac{\nu}{1-\nu} (c_1 - c_2) \alpha_{xz} \quad (4.43)$$

$$= -\nu A \left[ K_0 \left( \frac{r}{\ell_2} \right) - \frac{x^2 - y^2}{r^2} K_2 \left( \frac{r}{\ell_2} \right) \right] - \nu B \left[ K_0 \left( \frac{r}{\ell_3} \right) + \frac{x^2 - y^2}{r^2} K_2 \left( \frac{r}{\ell_3} \right) \right] \quad (4.44)$$

$$H_{yz} = H_{yxy} = \frac{1}{1-\nu} (c_1 - c_2) \alpha_{yz} = -2 \frac{xy}{r^2} \left[ A K_2 \left( \frac{r}{\ell_2} \right) - B K_2 \left( \frac{r}{\ell_3} \right) \right] \quad (4.44)$$

$$H_{zy} = H_{zxx} = -\frac{\nu}{1-\nu} (c_1 - c_2) \alpha_{yz} = 2\nu \frac{xy}{r^2} \left[ A K_2 \left( \frac{r}{\ell_2} \right) - B K_2 \left( \frac{r}{\ell_3} \right) \right]. \quad (4.45)$$

Therefore, plane strain bending is given in terms of the two length scales  $\ell_2$  and  $\ell_3$ . If we use the components (4.40) and (4.41) of the dislocation density, the Burgers vector is

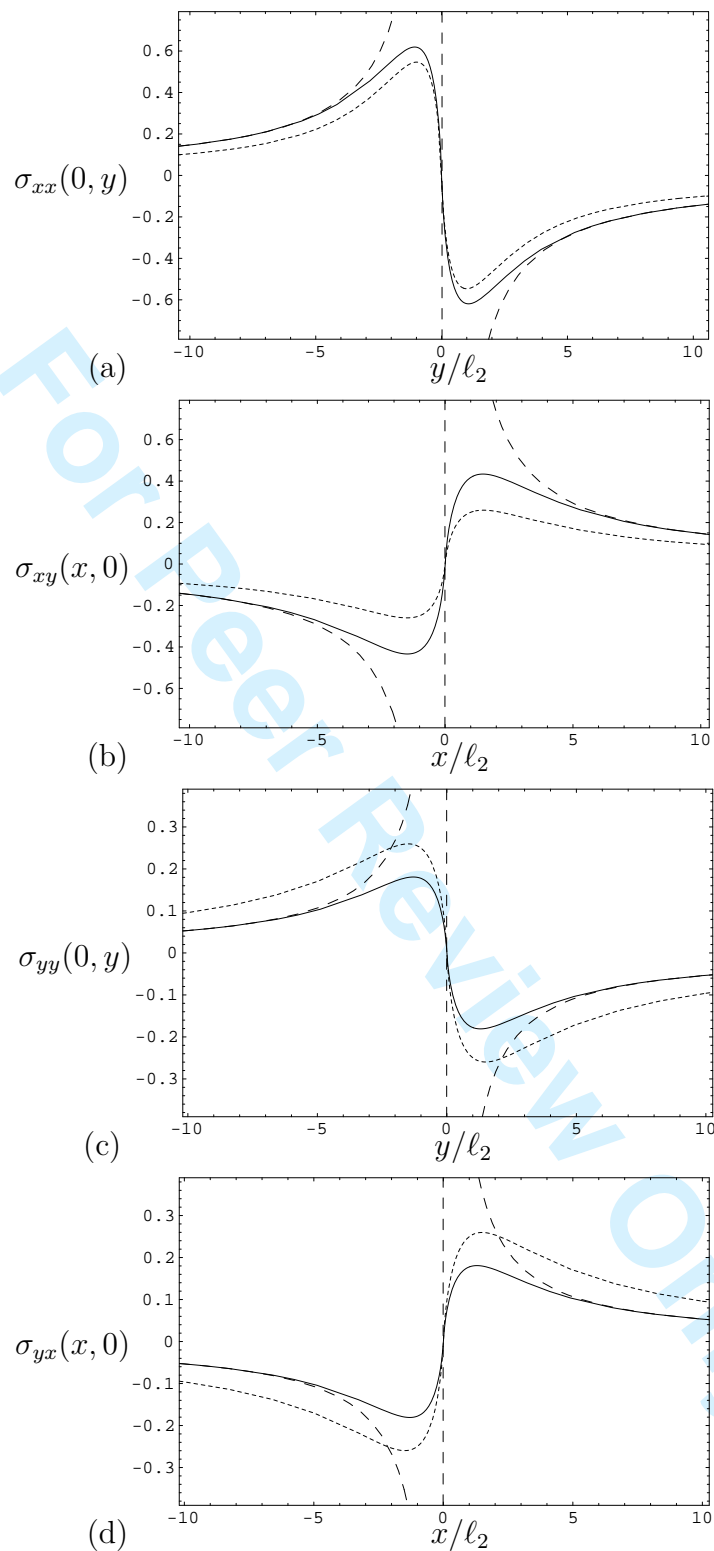


Figure 5: The force stresses components near the dislocation line: (a)  $\sigma_{xx}(0, y)$ , (b)  $\sigma_{xy}(x, 0)$ , (c)  $\sigma_{yy}(0, y)$ , (d)  $\sigma_{yx}(x, 0)$  are given in units of  $A$  with  $\nu = 0.3$  and  $\gamma = \mu/2$ . The dashed curves represent the stresses in asymmetric elasticity and the small dashed curves the symmetric force stresses ( $\gamma = 0$ ).

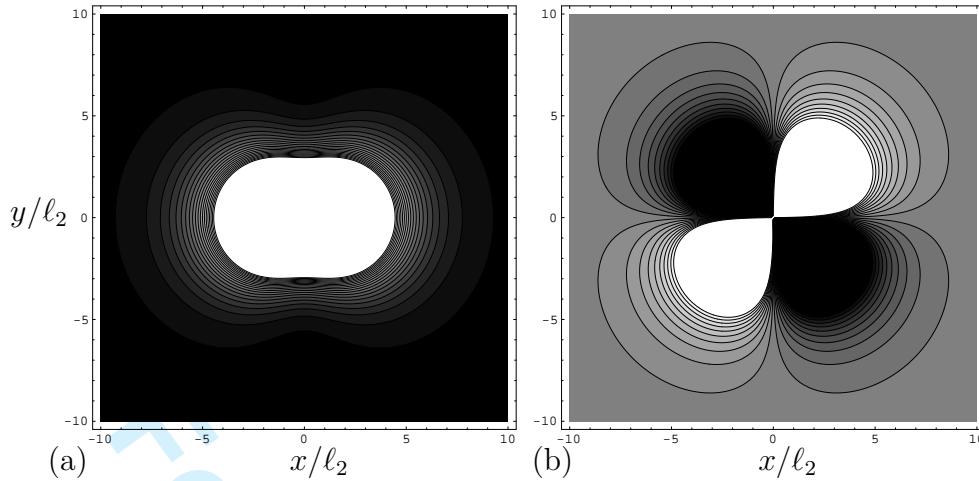


Figure 6: Torsion contours of an edge dislocation near the dislocation line: (a)  $\alpha_{xz}$ , (b)  $\alpha_{yz}$  with  $\nu = 0.3$  and  $\gamma = \mu/2$  (in units of  $b/[4\pi]$ ).

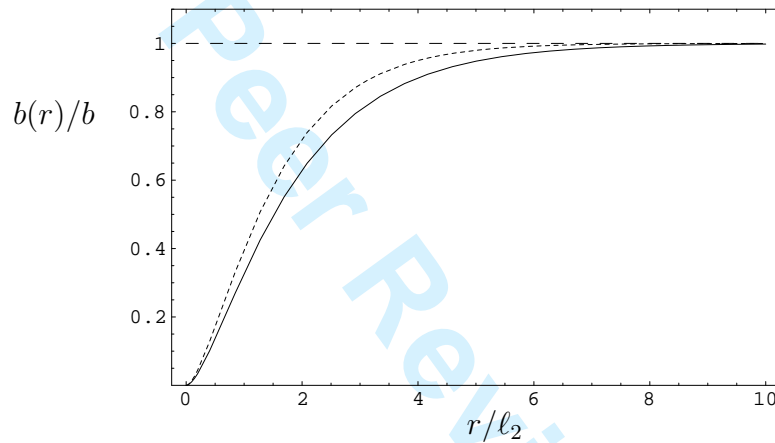


Figure 7: The modified Burgers vector of an edge dislocation  $b(r)/b$  for  $\ell_2 = \ell_3$  (small dashed) and for  $\nu = 0.3$  and  $\gamma = \mu/2$  (solid).

calculated as

$$\begin{aligned}
 b(r) &= \oint (\beta_{xx} dx + \beta_{xy} dy) = \int_0^{2\pi} \int_0^r \alpha_{xz}(r', \phi') r' dr' d\phi' \\
 &= b \left\{ 1 - \frac{1}{2} \left[ \frac{r}{\ell_2} K_1\left(\frac{r}{\ell_2}\right) + \frac{r}{\ell_3} K_1\left(\frac{r}{\ell_3}\right) \right] \right\} \quad (4.46)
 \end{aligned}$$

$$0 = \oint (\beta_{yx} dx + \beta_{yy} dy) = \int_0^{2\pi} \int_0^r \alpha_{yz}(r', \phi') r' dr' d\phi'. \quad (4.47)$$

Thus, it can be seen that the torsion (4.41) does not contribute to the Burgers vector. Only the  $K_0$ -terms in (4.40) give a contribution to the Burgers vector (4.46). The plot is given in figure 7.

## 4.2 The case $\ell_2 = \ell_3$

Now we turn to a special case of the gauge theoretical edge dislocation we have found. We obtained two internal lengths  $\ell_2$  and  $\ell_3$ . If we require that the dislocation density (4.41)

has to be zero, the internal lengths must fulfill  $\ell_2 = \ell_3$ . Therefore, we may reduce them to only one internal length. If the internal lengths  $\ell_2$  and  $\ell_3$  are equal, we find

$$\ell_2 = \ell_3 : \quad \Rightarrow \quad \gamma = \frac{\lambda}{2\nu} = \frac{\mu}{1-2\nu}, \quad A = B. \quad (4.48)$$

Thus, in this case the parameter  $\gamma$  is expressed in terms of  $\mu$  and  $\nu$ . Eventually, the non-vanishing components of the stress tensor are

$$\sigma_{xx} = -\frac{\mu b}{\pi(1-\nu)} \frac{y}{r^2} \left[ 1 - \frac{r}{\ell_2} K_1\left(\frac{r}{\ell_2}\right) \right] \quad (4.49)$$

$$\sigma_{xy} = \frac{\mu b}{\pi(1-\nu)} \frac{x}{r^2} \left[ 1 - \frac{r}{\ell_2} K_1\left(\frac{r}{\ell_2}\right) \right] \quad (4.50)$$

$$\sigma_{zz} = -\frac{\mu\nu b}{\pi(1-\nu)} \frac{y}{r^2} \left[ 1 - \frac{r}{\ell_2} K_1\left(\frac{r}{\ell_2}\right) \right]. \quad (4.51)$$

Thus,  $\sigma_{yx} = 0$  and  $\sigma_{yy} = 0$ . The non-vanishing components of the elastic distortion are

$$\beta_{xx} = -\frac{b}{2\pi} \frac{y}{r^2} \left[ 1 - \frac{r}{\ell_2} K_1\left(\frac{r}{\ell_2}\right) \right] \quad (4.52)$$

$$\beta_{xy} = \frac{b}{2\pi} \frac{x}{r^2} \left[ 1 - \frac{r}{\ell_2} K_1\left(\frac{r}{\ell_2}\right) \right] \quad (4.53)$$

$$\beta_{yx} = \frac{\nu b}{2\pi(1-\nu)} \frac{x}{r^2} \left[ 1 - \frac{r}{\ell_2} K_1\left(\frac{r}{\ell_2}\right) \right] \quad (4.54)$$

$$\beta_{yy} = \frac{\nu b}{2\pi(1-\nu)} \frac{y}{r^2} \left[ 1 - \frac{r}{\ell_2} K_1\left(\frac{r}{\ell_2}\right) \right]. \quad (4.55)$$

Because the components  $\beta_{yx}$  and  $\beta_{yy}$  are compatible, they can be expressed in terms of a displacement field  $u_y$  according to

$$\beta_{yx} = u_{y,x}, \quad \beta_{yy} = u_{y,y}, \quad u_y = \frac{\nu b}{2\pi(1-\nu)} \left[ \ln r + K_0\left(\frac{r}{\ell_2}\right) \right]. \quad (4.56)$$

Let us compare this type of edge dislocation with the edge dislocation originally introduced by Volterra [62] (see also [66]). The displacement field of a Volterra edge dislocation reads  $u_x = b/(2\pi) \arctan y/x$  and  $u_y = b/(2\pi) \ln r$ . But the corresponding force stress of this displacement field calculated in the theory of (symmetric) elasticity does not fulfill the force equilibrium condition because it produces line forces at the dislocation line and the dilatation and the hydrostatic pressure are zero. These drawbacks are not acceptable from the physical point of view. In the limit  $\ell_2 \rightarrow 0$ , our displacement field  $u_y$  has a pre-factor  $\nu/(1-\nu)$  instead of 1. But the modified pre-factor is necessary to satisfy the force equilibrium condition with asymmetric force stresses and to give the correct dilatation. Thus, we have found the gauge theoretical version of an edge dislocation of Volterra type which is able to remove the original drawbacks of the edge dislocation of Volterra type. The limiting value  $\nu = 1/2$  defines incompressibility and we obtain the pre-factor 1. In this limit  $\lambda$  and  $\gamma$  tend to infinity. Thus, in the limit of incompressibility the Volterra dislocation is also valid.

The non-vanishing component of the dislocation density tensor is given by

$$\alpha_{xz} = \frac{b}{2\pi} \frac{1}{\ell_2^2} K_0\left(\frac{r}{\ell_2}\right). \quad (4.57)$$



Thus, this dislocation density has cylindrical symmetry and has the same form as a screw dislocation (3.11). The localized pseudomoment stress reads

$$H_{xz} = \frac{\mu b}{\pi(1-\nu)} K_0\left(\frac{r}{\ell_2}\right), \quad H_{zx} = -\frac{\nu\mu b}{\pi(1-\nu)} K_0\left(\frac{r}{\ell_2}\right). \quad (4.58)$$

It is the pseudomoment stress of an edge dislocation with cylindrical symmetry (see also [23]). The corresponding Burgers vector is

$$b(r) = b\left[1 - \frac{r}{\ell_2} K_1\left(\frac{r}{\ell_2}\right)\right]. \quad (4.59)$$

### 4.3 The case $\gamma = 0$ : symmetric force stresses

Now we want to revert the case of symmetric force stresses. If we set  $\gamma = 0$  (symmetric force stress), we obtain from Eqs. (3.5), (2.49), (4.14), (2.50) and (2.51):

$$a_3 = -\frac{a_1}{2}, \quad a_2 = \frac{1+\nu}{1-\nu} a_1, \quad \ell_2^2 = \ell_1^2 = \frac{a_1}{2\mu}, \quad \ell_3^2 \rightarrow \infty, \quad B = 0. \quad (4.60)$$

It is obvious that  $a_3$  in (4.60) violates the condition of positive dislocation core energy (2.21). Thus, the condition of nonnegative dislocation core energy requires asymmetric force stresses. The condition (4.60) has only one independent internal length and it is the choice introduced by Lazar [23]. With  $B = 0$  we recover from Eqs. (4.24)–(4.28) the force stress earlier calculated by [23] and [63, 64] in the framework of a gauge theory with symmetric force stresses and strain gradient elasticity, respectively. Also the distortions (4.32)–(4.35) become symmetric with  $B = 0$  and the elastic rotation (4.37) becomes zero.

### 4.4 The case $\gamma \rightarrow \infty$

If we set  $\gamma \rightarrow \infty$ , then we obtain from Eqs. (3.5), (2.49), (4.14), (2.50) and (2.51):

$$a_3 \rightarrow \infty, \quad a_2 = \frac{1+\nu}{1-\nu} a_1, \quad \ell_2^2 = \ell_1^2 = \frac{a_1}{2\mu}, \quad \ell_3^2 = \frac{a_1}{4\mu(1-\nu)}, \quad B = \frac{\mu b}{\pi}. \quad (4.61)$$

This case does not violate the positive definiteness of the dislocation core energy (2.21). So we obtain the relation between  $\ell_2$  and  $\ell_3$

$$\ell_3^2 = \frac{1}{2(1-\nu)} \ell_2^2, \quad \frac{\ell_2}{2} \leq \ell_3 \leq \ell_2. \quad (4.62)$$

The skewsymmetric stress (4.31) converts to

$$\sigma_{[xy]} = \frac{\mu b}{\pi} \frac{x}{r^2} \left[1 - \frac{r}{\ell_3} K_1\left(\frac{r}{\ell_3}\right)\right] \quad (4.63)$$

and the skewsymmetric distortion (4.37) vanishes  $\beta_{[xy]} = 0$ . All other quantities can be easily calculated with (4.61). Because the elastic rotation is zero in the present case the corresponding energy converts to

$$\lim_{\gamma \rightarrow \infty} W(\boldsymbol{\beta}, \text{curl } \boldsymbol{\beta}) = W(\mathbf{e}, \text{curl } \mathbf{e}) = W(\mathbf{e}, \text{curl } \mathbf{e}^P), \quad \mathbf{e} = \text{sym } \boldsymbol{\beta} \quad (4.64)$$



where  $\mathbf{e}$  and  $\mathbf{e}^P$  denote the elastic and plastic strains. Such a theory looks like a theory of strain gradient plasticity (see, e.g., Gurtin and Anand [65].) In such a theory the trace of the dislocation density tensor is zero

$$\alpha_{jj} = -\epsilon_{jkl}e_{jk,l} = \epsilon_{jkl}e_{jk,l}^P = 0. \quad (4.65)$$

Thus, it is a theory with two constraints

$$\begin{aligned} \gamma \rightarrow \infty : \quad & \beta_{[ij]} = 0 \\ a_3 \rightarrow \infty : \quad & \alpha_{jj} = 0. \end{aligned} \quad (4.66)$$

## 5 Conclusion

In this paper, we have investigated the (static) translational gauge theory of dislocations. We have used the most general linear and isotropic constitutive relations between the force stress and elastic distortion tensors and the pseudomoment stress and dislocation density (torsion) tensors. Thus, the linear theory possesses six material coefficients and the force and pseudomoment stress tensors are asymmetric. We have found four characteristic length scales for the gauge theory of dislocation given in terms of the six material coefficients to account for size effects of small-scale problems. We have derived the conditions of positive energy for the six material coefficients. We observed that the so-called Einstein choice of the three coefficients of the pseudomoment stress tensor violates the positive definiteness of the dislocation core energy. This fact demonstrates that the three-dimensional Einsteinian gauge approach is not a realistic model for dislocations. We have observed that in the gauge theory of dislocations moment stress is the response to contortion and pseudomoment stress is the response to pseudomoment stress. Using Fourier transform, we have calculated the three-dimensional Green tensor of our so-called master equation of the force stress tensor. In the case of generalized plane strain the four characteristic lengths reduce to only two lengths and the number of independent material coefficients simplifies to four. Later, we have solved the anti-plane strain problem of a screw dislocation and the plane strain problem of an edge dislocation in the framework of gauge theory. In this turn, we have found new solutions for all physical state quantities of a screw dislocation and an edge dislocation.

## Acknowledgment

The authors have been supported by an Emmy-Noether grant of the Deutsche Forschungsgemeinschaft (Grant No. La1974/1-2). One of us (M.L.) is very grateful to Friedrich W. Hehl for very useful and stimulating discussions about the pseudomoment stress tensor and the translational gauge theory in general.

## A Screw dislocation in asymmetric elasticity

In asymmetric elasticity the force stress tensor is asymmetric and fulfills the force equilibrium condition

$$\sigma_{ij,j}^0 = 0, \quad \sigma_{ij}^0 \neq \sigma_{ji}^0. \quad (A.1)$$

The elastic distortion of a Volterra screw dislocation is given by [66]

$$\beta_{zx}^0 = -\frac{b}{2\pi} \frac{y}{r^2}, \quad \beta_{zy}^0 = \frac{b}{2\pi} \frac{x}{r^2}, \quad r^2 = x^2 + y^2. \quad (\text{A.2})$$

Thus, the present problem is of anti-plane strain type. The non-vanishing component of the dislocation density of a screw dislocation reads

$$\alpha_{zz}^0 = \beta_{zy,x}^0 - \beta_{zx,y}^0. \quad (\text{A.3})$$

It is the incompatibility condition. In terms of force stresses it reads

$$\alpha_{zz}^0 = \frac{1}{\mu + \gamma} (\sigma_{zy,x}^0 - \sigma_{zx,y}^0). \quad (\text{A.4})$$

For a straight screw dislocation it has the form

$$\alpha_{zz}^0 = b \delta(x) \delta(y). \quad (\text{A.5})$$

In terms of the Prandtl stress function  $F^0$ , the incompatibility condition is given by

$$\Delta F^0 = (\mu + \gamma) b \delta(x) \delta(y). \quad (\text{A.6})$$

The Prandtl stress function is nothing but the Green function of the two-dimensional Laplace equation. It reads [39]

$$F^0 = \frac{(\mu + \gamma) b}{2\pi} \ln r. \quad (\text{A.7})$$

## B Edge dislocation in asymmetric elasticity

In the case of straight edge dislocations the equations of incompatibility take the form

$$\alpha_{xz}^0 = \beta_{xy,x}^0 - \beta_{xx,y}^0 \quad (\text{B.1})$$

$$\alpha_{yz}^0 = \beta_{yy,x}^0 - \beta_{yx,y}^0. \quad (\text{B.2})$$

We introduce the following combinations [51]

$$A_1 := \alpha_{yz,x}^0 - \alpha_{xz,y}^0 = \beta_{yy,xx}^0 + \beta_{xx,yy}^0 - \beta_{xy,xy}^0 - \beta_{yx,xy}^0 \quad (\text{B.3})$$

$$A_2 := -\alpha_{xz,x}^0 - \alpha_{yz,y}^0 = \beta_{yx,yy}^0 - \beta_{xy,xx}^0 + \beta_{xx,xy}^0 - \beta_{yy,xy}^0. \quad (\text{B.4})$$

Expressing the elastic distortions in terms of force stresses and using  $\sigma_{ij,j}^0 = 0$  and  $\sigma_{zz}^0 = \nu(\sigma_{xx}^0 + \sigma_{yy}^0)$ , we obtain

$$A_1 = \frac{1 - \nu}{2\mu} \Delta(\sigma_{xx}^0 + \sigma_{yy}^0) \quad (\text{B.5})$$

$$A_2 = \frac{1}{2\mu} (\sigma_{xx,xy}^0 - \sigma_{yy,xy}^0) + \frac{\gamma - \mu}{4\mu\gamma} (\sigma_{xy,yy}^0 - \sigma_{yx,xx}^0) + \frac{\gamma + \mu}{4\mu\gamma} (\sigma_{yx,yy}^0 - \sigma_{xy,xx}^0). \quad (\text{B.6})$$

Because we deal with asymmetric force stresses we use the stress function ansatz given by Mindlin for couple-stress theory [50]

$$\sigma_{ij}^0 = \begin{pmatrix} \partial_{yy}^2 f^0 - \partial_{xy}^2 \Psi^0 & -\partial_{xy}^2 f^0 + \partial_{xx}^2 \Psi^0 & 0 \\ -\partial_{xy}^2 f^0 - \partial_{yy}^2 \Psi^0 & \partial_{xx}^2 f^0 + \partial_{xy}^2 \Psi^0 & 0 \\ 0 & 0 & \nu \Delta f^0 \end{pmatrix} \quad (\text{B.7})$$

where  $f^0$  and  $\Psi^0$  are stress functions of second order. The stress function ansatz (B.7) is the generalization of the stress function ansatz with the Airy stress function  $f^0$  for symmetric stresses. If  $\Psi^0$  is zero, (B.7) reduces to the usual expression for the stresses in terms of the Airy stress function  $f^0$ . Equations (B.5) and (B.6) are reduced to the following inhomogeneous bi-harmonic equations

$$\Delta \Delta f^0 = \frac{2\mu}{1-\nu} A_1 \quad (\text{B.8})$$

$$\Delta \Delta \Psi^0 = -\frac{4\mu\gamma}{\mu+\gamma} A_2. \quad (\text{B.9})$$

Because we want to consider a straight edge dislocation with the Burgers vector  $b = b_x$ , the dislocation density tensor has the form

$$\alpha_{yz}^0 = 0, \quad \alpha_{xz}^0 = b \delta(x) \delta(y). \quad (\text{B.10})$$

So we obtain

$$\Delta \Delta f^0 = -\frac{2\mu b}{1-\nu} \partial_y [\delta(x) \delta(y)] \quad (\text{B.11})$$

$$\Delta \Delta \Psi^0 = \frac{4\mu\gamma b}{\mu+\gamma} \partial_x [\delta(x) \delta(y)]. \quad (\text{B.12})$$

Since the two-dimensional Green function of the bi-harmonic equation is

$$\Delta \Delta G = \delta(x) \delta(y), \quad G = \frac{1}{8\pi} r^2 \ln r \quad (\text{B.13})$$

the solutions of (B.11) and (B.12) are the following Airy stress functions [39]

$$f^0 = -\frac{\mu b}{4\pi(1-\nu)} \partial_y (r^2 \ln r) \quad (\text{B.14})$$

$$\Psi^0 = \frac{\mu\gamma b}{2\pi(\mu+\gamma)} \partial_x (r^2 \ln r). \quad (\text{B.15})$$

(B.14) is the well-known Airy stress function for an edge dislocation with Burgers vector  $b_x$  and (B.15) looks like an Airy stress function for an edge dislocation with Burgers vector  $b_y$  with a different pre-factor.

## References

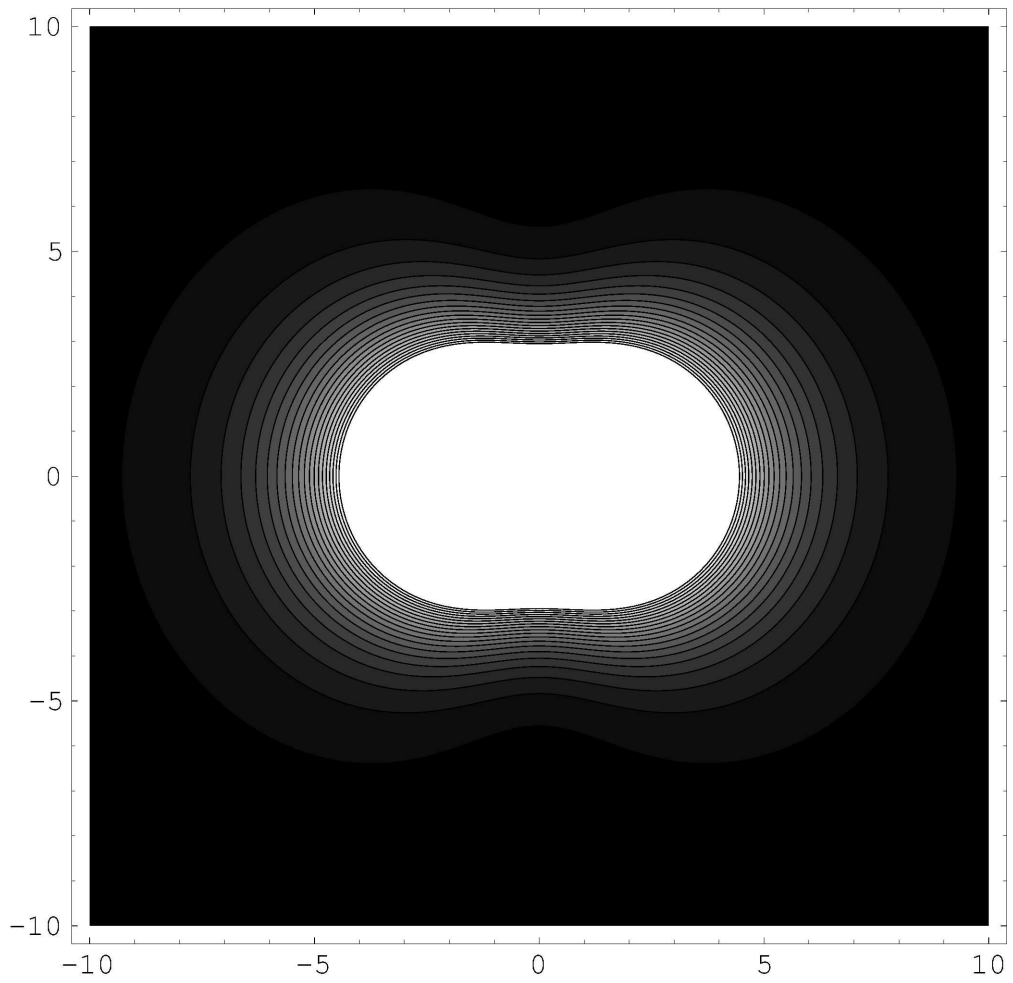
- [1] L. O’Raifeartaigh, *The Dawning of Gauge Theory*, Princeton University Press, Princeton (1997).

- 1  
2  
3 [2] V. Rubakov, *Classical Theory of Gauge Fields*, Princeton University Press, Princeton  
4 (2002).  
5  
6 [3] A.A. Abrikosov, Zh. Eksp. Teor. Fiz. **32** (1957) 1442 (Sov. Phys. JETP **5** (1957),  
7 1174).  
8  
9 [4] H.B. Nielsen, P. Olesen, Nucl. Phys. B **61** (1973) 45.  
10  
11 [5] F.W. Hehl, P. von der Heyde, G.D. Kerlick, J. Nester, Rev. Mod. Phys. **48** (1976)  
12 393.  
13  
14 [6] F.W. Hehl, J.D. McCrea, E.W. Mielke, Y. Ne'eman, Phys. Rep. **258** (1995) 1.  
15  
16 [7] F.W. Hehl, Physics Today March 2007 16.  
17  
18 [8] A. Vilenkin, Phys. Rep. **121** (1985) 263.  
19  
20 [9] J.P. Hirth, J. Lothe, *Theory of Dislocations*, John Wiley, New York (1982).  
21  
22 [10] A. Kadić, D.G.B. Edelen, Int. J. Engng. Sci. **19** (1981) 73.  
23  
24 [11] A. Kadić, D.G.B. Edelen, *A Gauge Theory of Dislocations and Disclinations*, in:  
25 *Lecture Notes in Physics*, Vol. 174, Springer, Berlin (1983).  
26  
27 [12] D.G.B. Edelen, D.C. Lagoudas, *Gauge Theory and Defects in Solids*, North-Holland,  
28 Amsterdam (1988).  
29  
30 [13] F.W. Hehl, E. Kröner, Z. Naturforschg. **20a** (1965) 336.  
31  
32 [14] E. Kröner, *Plastizität und Versetzungen*, in: *Mechanik der deformierten Medien*  
33 by A. Sommerfeld, Harri Deutsch, Frankfurt/M. (1992) reprint of the 6th ed. (1969)  
34 pp. 310-376.  
35  
36 [15] E. Kröner, *The continuized crystal as a model for crystals with dislocations*, in: *Ma-*  
37 *terials Modelling: From Theory to Technology*, C.A. English et al., eds., Inst. of Phys.  
38 Publ., Bristol (1992) p. 13.  
39  
40 [16] M.C. Valsakumar, D. Sahoo, Bull. Mater. Sci. **10** (1988) 3  
41  
42 [17] D.G.B. Edelen, Int. J. Engng. Sci. **34** (1996) 81.  
43  
44 [18] C. Malyshev, Ann. Phys. (N.Y.) **286** (2000) 249.  
45  
46 [19] P. Sharma, S. Ganti, Proc. R. Soc. A. **461** (2005) 1081.  
47  
48 [20] M. Lazar, Ann. Phys. (Leipzig) **9** (2000) 461.  
49  
50 [21] M. Lazar, J. Phys. A: Math. Gen. **35** (2002) 1983.  
51  
52 [22] M. Lazar, Ann. Phys. (Leipzig) **11** (2002) 635.  
53  
54 [23] M. Lazar, J. Phys. A: Math. Gen. **36** (2003) 1415.  
55  
56 [24] C. Malyshev, J. Phys. A: Math. Theor. **40** (2007) 10657.  
57  
58  
59  
60

- 1  
2  
3 [25] M.O. Katanaev, I.V. Volovich, *Ann. Phys. (N.Y.)* **216** (1992) 1.  
4  
5 [26] V.L. Popov, E. Kröner, *Theoretical and Applied Fracture Mechanics* **37** (2001) 299.  
6  
7 [27] E. Kröner, *Int. J. Solids and Struct.* **38** (2001) 1115.  
8  
9 [28] E. Kröner, *Ing. Arch.* **45** (1976) 217.  
10  
11 [29] A.C. Eringen, W.D. Claus, Jr., *A micromorphic approach to dislocation theory and*  
12 *its relation to several existing theories*, in *Fundamental Aspects of Dislocation Theory*,  
13 Vol. 1, Eds. J.A. Simmons, R. deWit and R. Bullough, Nat. Bur. Stand. (U.S.), Spec.  
14 Publ. **317** (1970) p. 1023.  
15  
16 [30] R.D. Mindlin, *Arch. Rational. Mech. Anal.* **16** (1964) 51.  
17  
18 [31] A.C. Eringen, *Microcontinuum Field Theories I: Foundations and Solids*, Springer,  
19 New York, 1999.  
20  
21 [32] B.A. Bilby, E. Smith, *Proc. Roy. Soc. (London) A* **236** (1956) 481.  
22  
23 [33] W. Noll, *Arch. Rat. Mech. Anal.* **27** (1968) 1.  
24  
25 [34] H. Kleinert, *Gauge Fields in Condensed Matter Vol. II: Stresses and Defects*, World  
26 Scientific, Singapore (1989).  
27  
28 [35] J.F. Nye, *Acta Met.* **1** (1953) 153.  
29  
30 [36] E. Kröner, A. Seeger, *Arch. Rat. Mech. Anal.* **3** (1959) 97.  
31  
32 [37] E. Kröner, *Arch. Rat. Mech. Anal.* **4** (1960) 273.  
33  
34 [38] R. deWit, *Linear Theory of Static Disclinations*, in *Fundamental Aspects of Dislocation*  
35 *Theory*, Vol. 1, Eds. J.A. Simmons, R. deWit and R. Bullough, Nat. Bur. Stand.  
36 (U.S.), Spec. Publ. **317** (1970) p. 651.  
37  
38 [39] E. Kröner, *Continuum Theory of Defects*, in: *Physics of Defects* (Les Houches, Ses-  
39 sion 35), R. Balian et al., eds., North-Holland, Amsterdam (1981) p. 215.  
40  
41 [40] S. Li, C. Linder, J.W. Foulk III, *J. Mech. Phys. Solids* **55** (2007) 980.  
42  
43 [41] F.W. Hehl, E. Kröner, *Z. Physik.* **187** (1965) 478.  
44  
45 [42] F.W. Hehl, *Der Spindrehimpuls in der allgemeinen Relativitätstheorie*, *Abh. Braun-*  
46 *schw. Wiss. Ges.* **18** (1966) pp. 98–130.  
47  
48 [43] D.G.B. Edelen, *Int. J. Engng. Sci.* **27** (1989) 653.  
49  
50 [44] A. Trzęsowski and J.J. Sławianowski, *Int. J. Theor. Phys.* **29** (1990) 1239.  
51  
52 [45] E. Kröner, *A Variational Principle in Nonlinear Dislocations Theory*, in: *Proc. 2nd*  
53 *Int. Conf. Nonlin. Mechanics*, Chien Wei-zang, ed., Peking University Press, Beijing  
54 (1993) p. 59.  
55  
56 [46] E. Kröner, *Kontinuumstheorie der Versetzungen und Eigenspannungen*,  
57 *Erg. Angew. Math.* **5** (1958) 1-179.  
58  
59  
60

- 1  
2  
3 [47] I.M. Guelfand, G.E. Chilov, *Les distributions I*, Paris: Dunod (1962).  
4  
5 [48] W.S. Wladimirow, *Equations of Mathematical Physics*, Berlin: VEB Deutscher Ver-  
6 lag der Wissenschaften (1971), (in German).  
7  
8 [49] R.D. Mindlin, H.F. Tiersten, Arch. Rat. Mech. Anal. **11** (1962) 415.  
9  
10 [50] R.D. Mindlin, Exper. Mech. **3** (1963) 1.  
11  
12 [51] W. Nowacki, *Theory of Asymmetric Elasticity*, Pergamon Press, Oxford (1986).  
13  
14 [52] D.G.B. Edelen, Int. J. Engng. Sci. **20** (1982) 49.  
15  
16 [53] M.O. Peach, J.S. Koehler, Phys. Rev. **80** (1950) 436.  
17  
18 [54] G.A. Maugin, *Material Inhomogeneities in Elasticity*. Chapman and Hall, London  
19 (1993).  
20  
21 [55] H.O.K. Kirchner, J. Mech. Phys. Solids **47** (1999) 993.  
22  
23 [56] M. Lazar, C. Anastassiadis, Phil. Mag. **88** (2008) 1673.  
24  
25 [57] A.C. Eringen, J. Appl. Phys. **54** (1983) 4703.  
26  
27 [58] A.C. Eringen, *Nonlocal Continuum Field Theories*, Springer, New York (2002).  
28  
29 [59] M. Lazar, Peach-Koehler forces within the theory of nonlocal elasticity. in: Mechanics  
30 of Material Forces, Ed. by P. Steinmann and G.A. Maugin, Springer, Berlin: 2005, 149–  
31 158.  
32  
33 [60] M.C. Valsakumar, D. Sahoo, Phys. Lett. A **215** (1996) 305.  
34  
35 [61] M. Lazar, G.A. Maugin, J. Mech. Phys. Solids **52** (2004) 2285.  
36  
37 [62] V. Volterra, Ann. Sci. Ecole Norm. Sup., III. Ser., 14 (1907) 401.  
38  
39 [63] M.Yu. Gutkin, E.C. Aifantis, Scripta Mater. **40** (1999) 559.  
40  
41 [64] M. Lazar, G.A. Maugin, Int. J. Engng. Sci. **43** (2005) 1157.  
42  
43 [65] M.E. Gurtin, L. Anand, J. Mech. Phys. Solids **53** (2005) 1624.  
44  
45 [66] R. deWit, J. Res. Nat. Bur. Stand. (U.S.) **77A** (1973) 607.  
46  
47  
48  
49  
50  
51  
52  
53  
54  
55  
56  
57  
58  
59  
60

1  
2  
3  
4  
5  
6  
7  
8  
9  
10  
11  
12  
13  
14  
15  
16  
17  
18  
19  
20  
21  
22  
23  
24  
25  
26  
27  
28  
29  
30  
31  
32  
33  
34  
35  
36  
37  
38  
39  
40  
41  
42  
43  
44  
45  
46  
47  
48  
49  
50  
51  
52  
53  
54  
55  
56  
57  
58  
59  
60

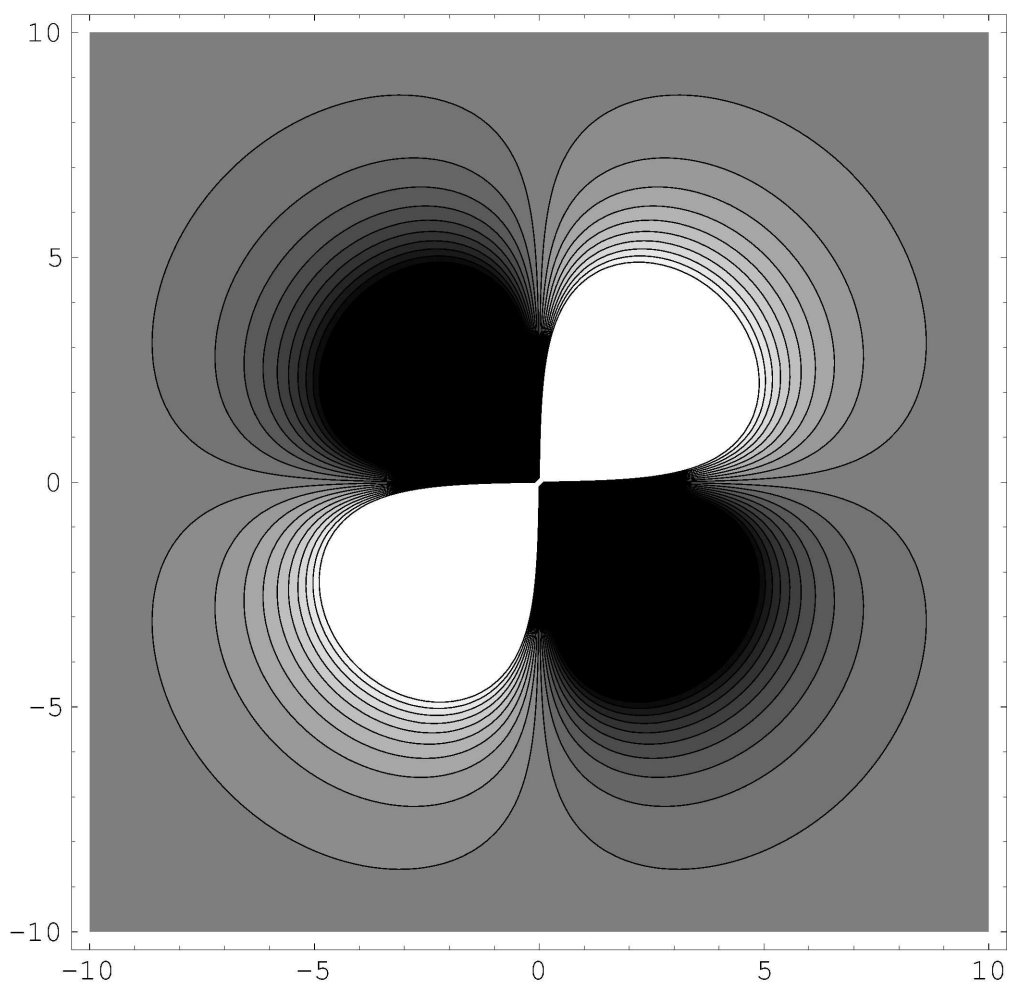


176x172mm (600 x 600 DPI)

Only



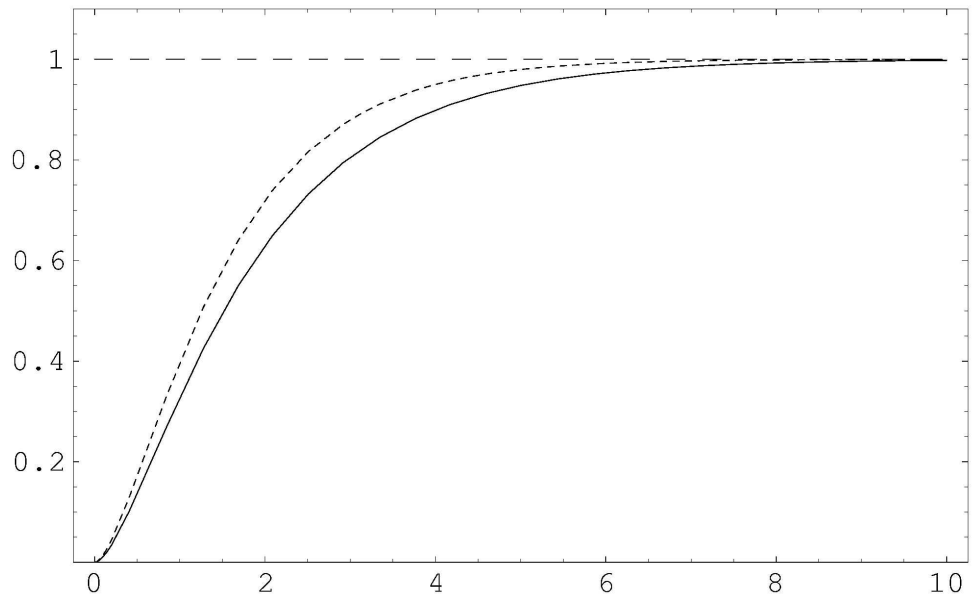
1  
2  
3  
4  
5  
6  
7  
8  
9  
10  
11  
12  
13  
14  
15  
16  
17  
18  
19  
20  
21  
22  
23  
24  
25  
26  
27  
28  
29  
30  
31  
32  
33  
34  
35  
36  
37  
38  
39  
40  
41  
42  
43  
44  
45  
46  
47  
48  
49  
50  
51  
52  
53  
54  
55  
56  
57  
58  
59  
60



176x172mm (600 x 600 DPI)



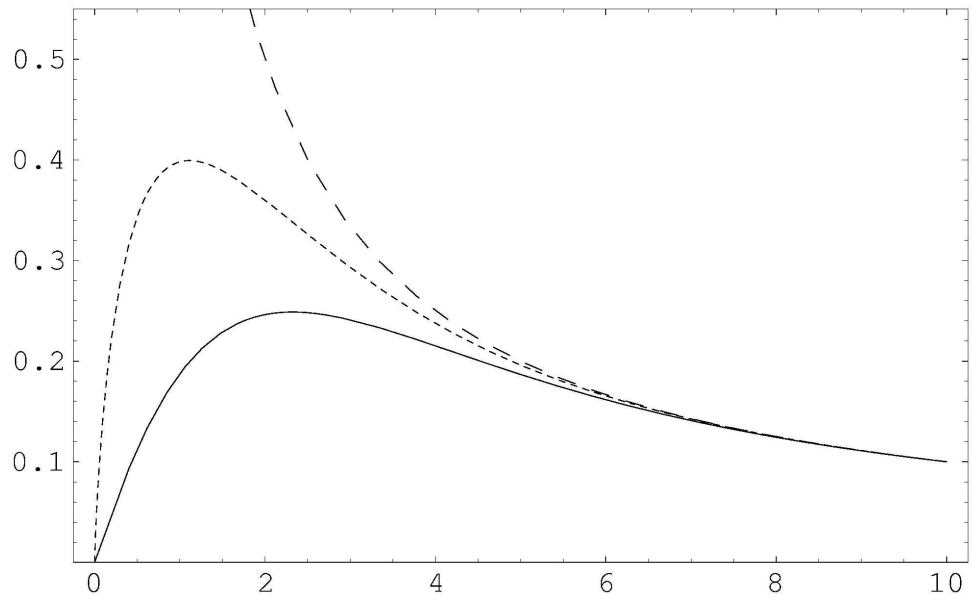
1  
2  
3  
4  
5  
6  
7  
8  
9  
10  
11  
12  
13  
14  
15  
16  
17  
18  
19  
20  
21  
22  
23  
24  
25  
26  
27  
28  
29  
30  
31  
32  
33  
34  
35  
36  
37  
38  
39  
40  
41  
42  
43  
44  
45  
46  
47  
48  
49  
50  
51  
52  
53  
54  
55  
56  
57  
58  
59  
60



172x109mm (600 x 600 DPI)

Review Only

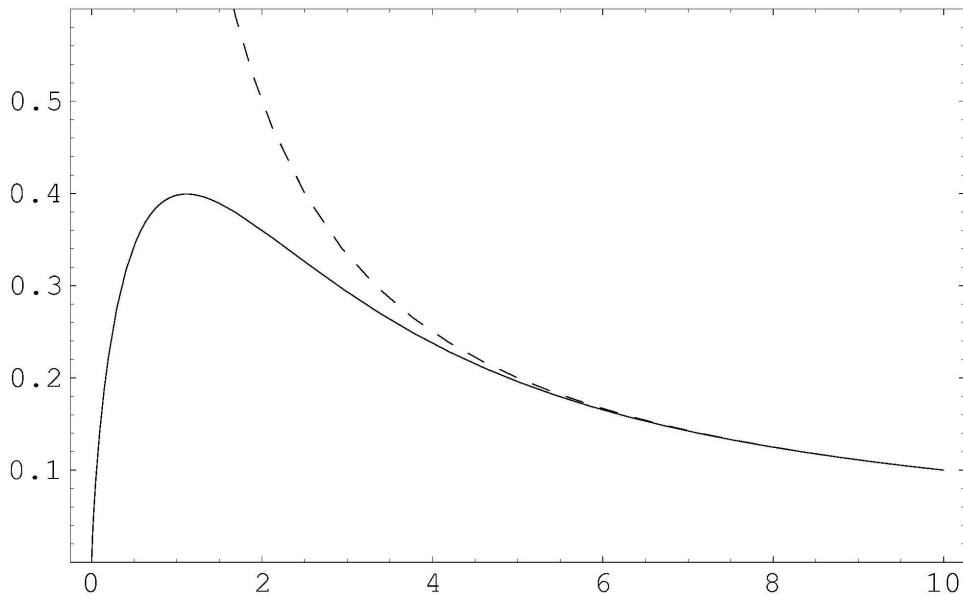
1  
2  
3  
4  
5  
6  
7  
8  
9  
10  
11  
12  
13  
14  
15  
16  
17  
18  
19  
20  
21  
22  
23  
24  
25  
26  
27  
28  
29  
30  
31  
32  
33  
34  
35  
36  
37  
38  
39  
40  
41  
42  
43  
44  
45  
46  
47  
48  
49  
50  
51  
52  
53  
54  
55  
56  
57  
58  
59  
60



172x109mm (600 x 600 DPI)

Review Only

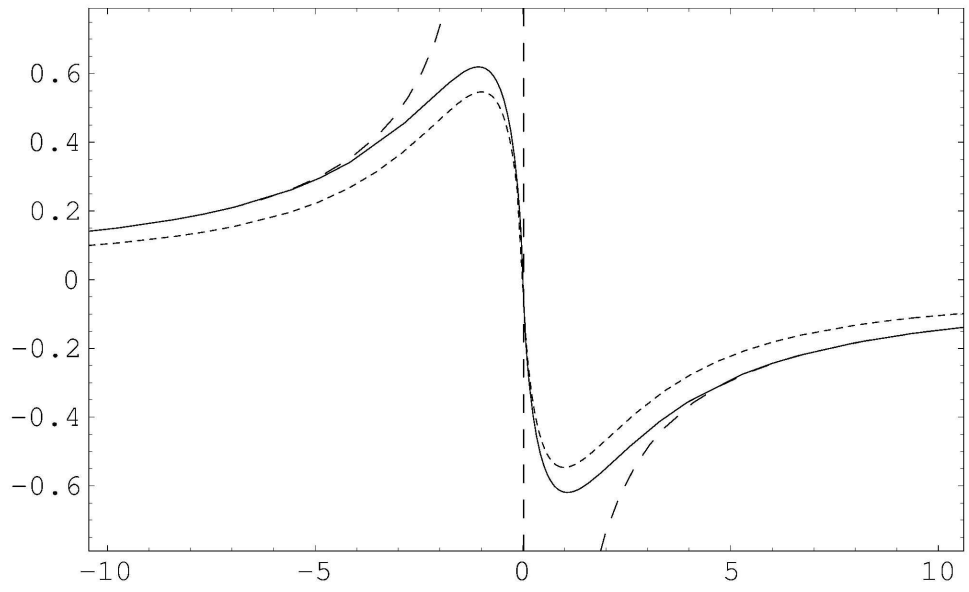
1  
2  
3  
4  
5  
6  
7  
8  
9  
10  
11  
12  
13  
14  
15  
16  
17  
18  
19  
20  
21  
22  
23  
24  
25  
26  
27  
28  
29  
30  
31  
32  
33  
34  
35  
36  
37  
38  
39  
40  
41  
42  
43  
44  
45  
46  
47  
48  
49  
50  
51  
52  
53  
54  
55  
56  
57  
58  
59  
60



172x109mm (600 x 600 DPI)

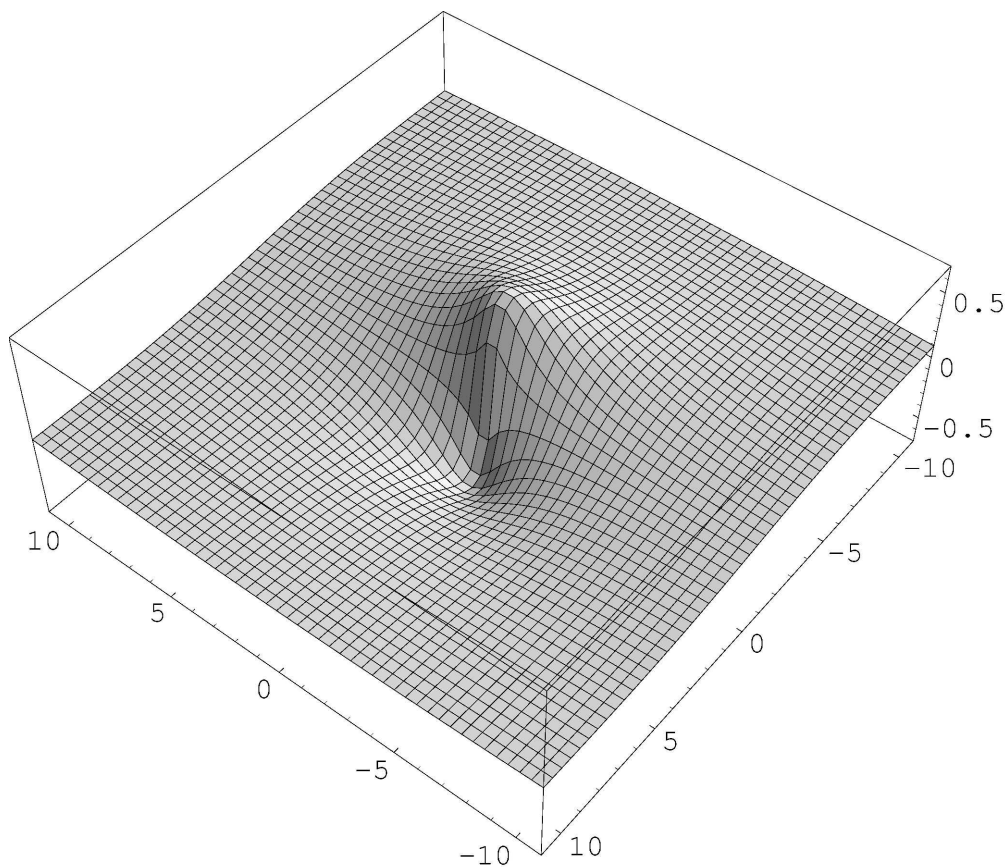
Review Only

1  
2  
3  
4  
5  
6  
7  
8  
9  
10  
11  
12  
13  
14  
15  
16  
17  
18  
19  
20  
21  
22  
23  
24  
25  
26  
27  
28  
29  
30  
31  
32  
33  
34  
35  
36  
37  
38  
39  
40  
41  
42  
43  
44  
45  
46  
47  
48  
49  
50  
51  
52  
53  
54  
55  
56  
57  
58  
59  
60



176x109mm (600 x 600 DPI)

Review Only

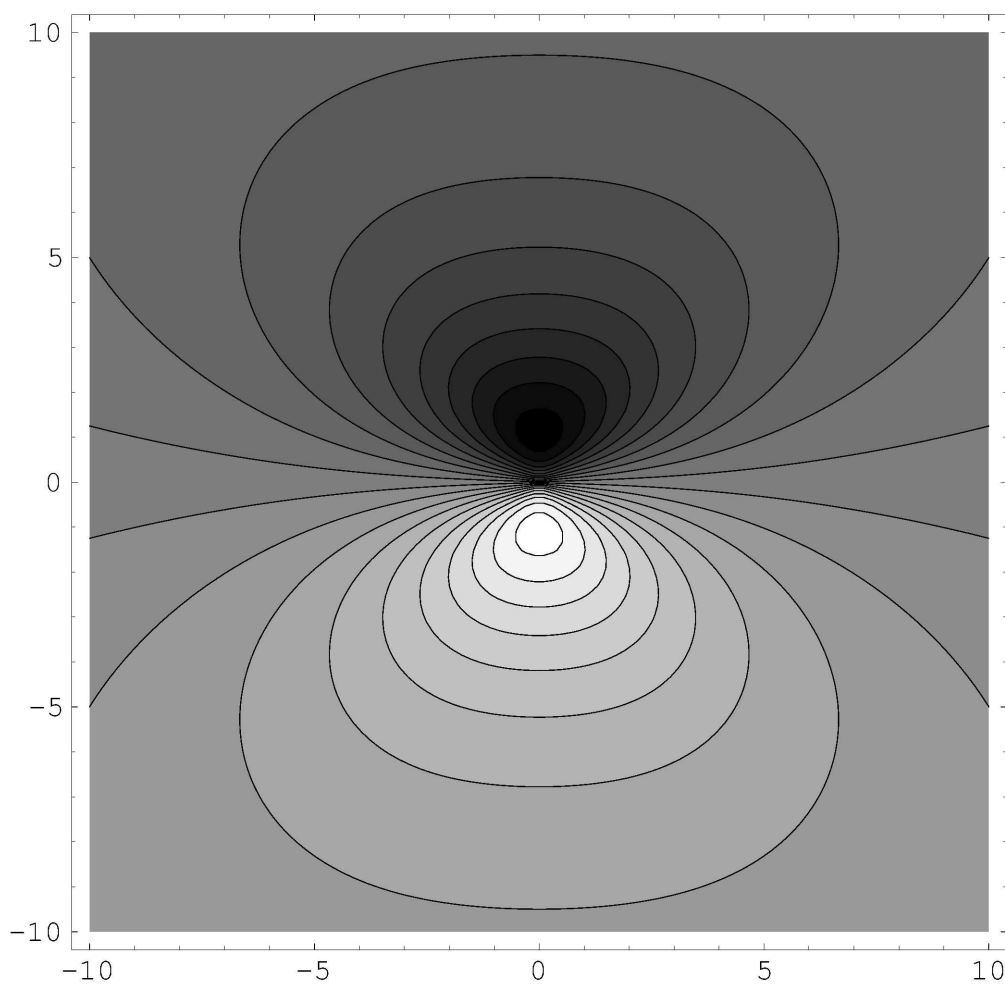


176x152mm (600 x 600 DPI)

Only

1  
2  
3  
4  
5  
6  
7  
8  
9  
10  
11  
12  
13  
14  
15  
16  
17  
18  
19  
20  
21  
22  
23  
24  
25  
26  
27  
28  
29  
30  
31  
32  
33  
34  
35  
36  
37  
38  
39  
40  
41  
42  
43  
44  
45  
46  
47  
48  
49  
50  
51  
52  
53  
54  
55  
56  
57  
58  
59  
60

1  
2  
3  
4  
5  
6  
7  
8  
9  
10  
11  
12  
13  
14  
15  
16  
17  
18  
19  
20  
21  
22  
23  
24  
25  
26  
27  
28  
29  
30  
31  
32  
33  
34  
35  
36  
37  
38  
39  
40  
41  
42  
43  
44  
45  
46  
47  
48  
49  
50  
51  
52  
53  
54  
55  
56  
57  
58  
59  
60

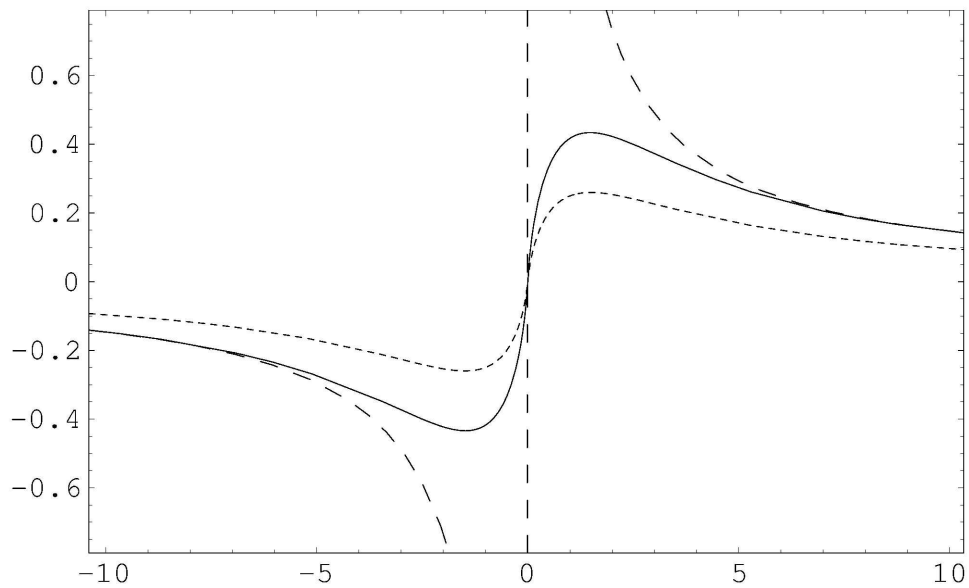


176x172mm (600 x 600 DPI)

manly



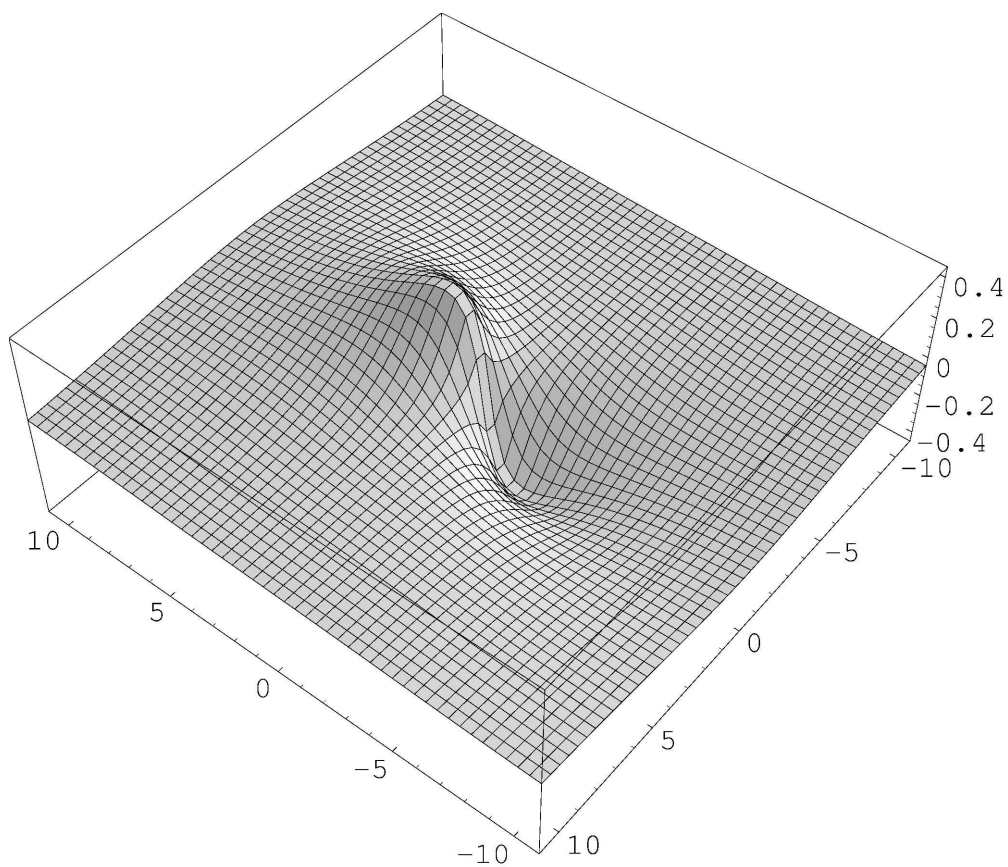
1  
2  
3  
4  
5  
6  
7  
8  
9  
10  
11  
12  
13  
14  
15  
16  
17  
18  
19  
20  
21  
22  
23  
24  
25  
26  
27  
28  
29  
30  
31  
32  
33  
34  
35  
36  
37  
38  
39  
40  
41  
42  
43  
44  
45  
46  
47  
48  
49  
50  
51  
52  
53  
54  
55  
56  
57  
58  
59  
60



176x109mm (600 x 600 DPI)

Review Only

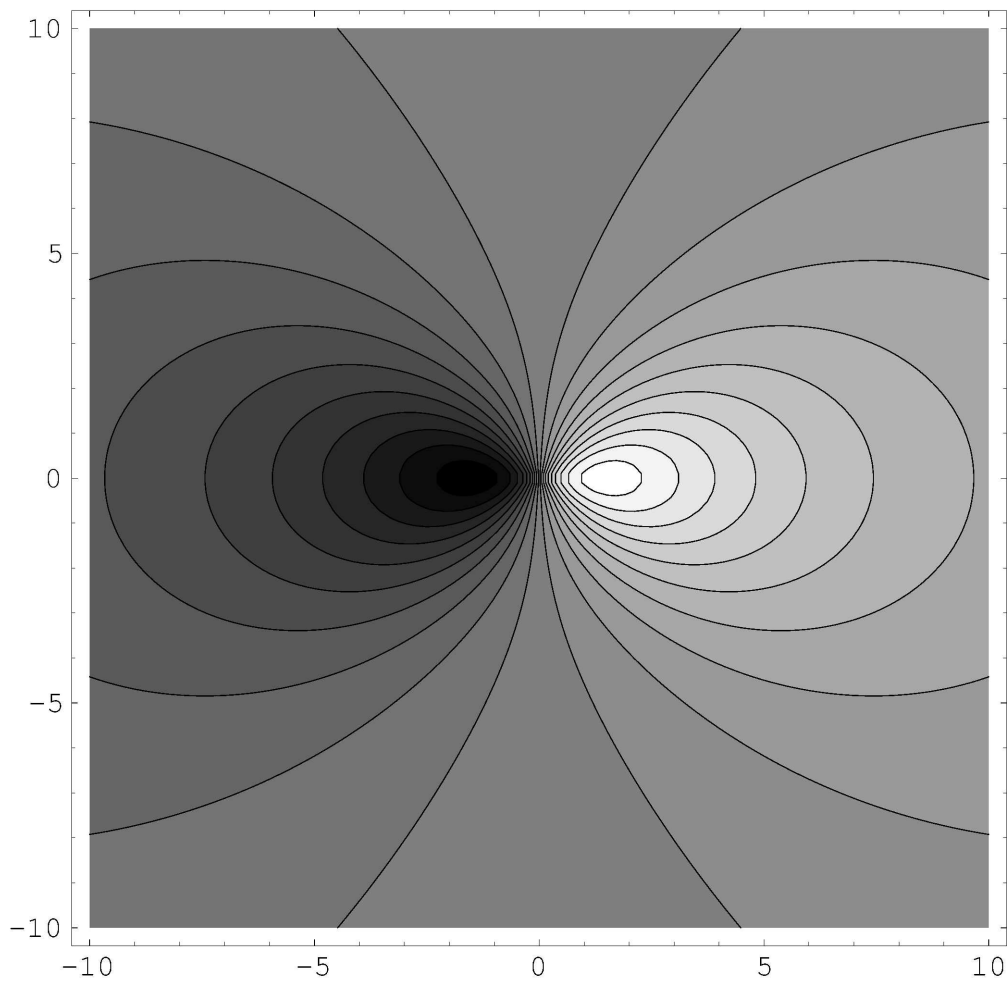
1  
2  
3  
4  
5  
6  
7  
8  
9  
10  
11  
12  
13  
14  
15  
16  
17  
18  
19  
20  
21  
22  
23  
24  
25  
26  
27  
28  
29  
30  
31  
32  
33  
34  
35  
36  
37  
38  
39  
40  
41  
42  
43  
44  
45  
46  
47  
48  
49  
50  
51  
52  
53  
54  
55  
56  
57  
58  
59  
60



176x151mm (600 x 600 DPI)

Only

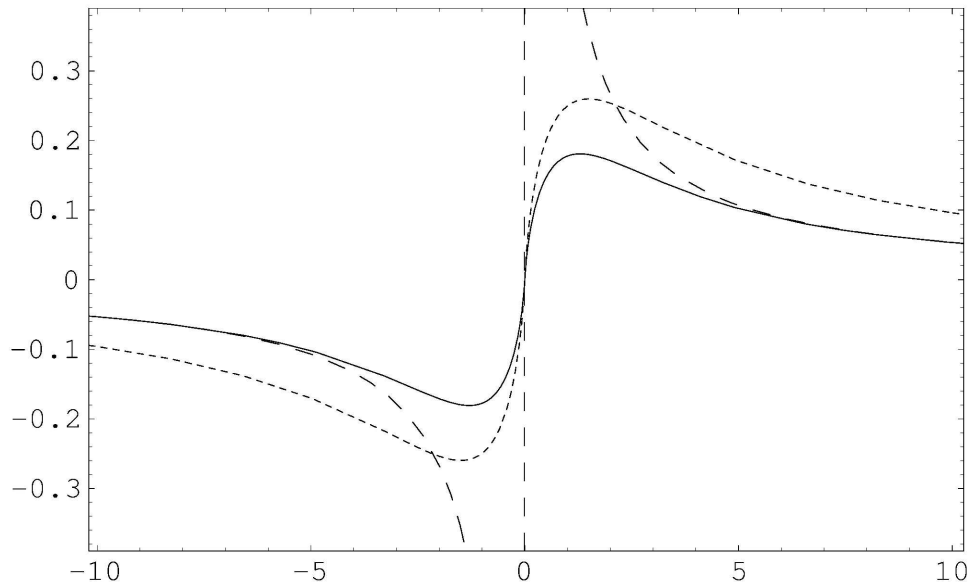
1  
2  
3  
4  
5  
6  
7  
8  
9  
10  
11  
12  
13  
14  
15  
16  
17  
18  
19  
20  
21  
22  
23  
24  
25  
26  
27  
28  
29  
30  
31  
32  
33  
34  
35  
36  
37  
38  
39  
40  
41  
42  
43  
44  
45  
46  
47  
48  
49  
50  
51  
52  
53  
54  
55  
56  
57  
58  
59  
60



176x172mm (600 x 600 DPI)

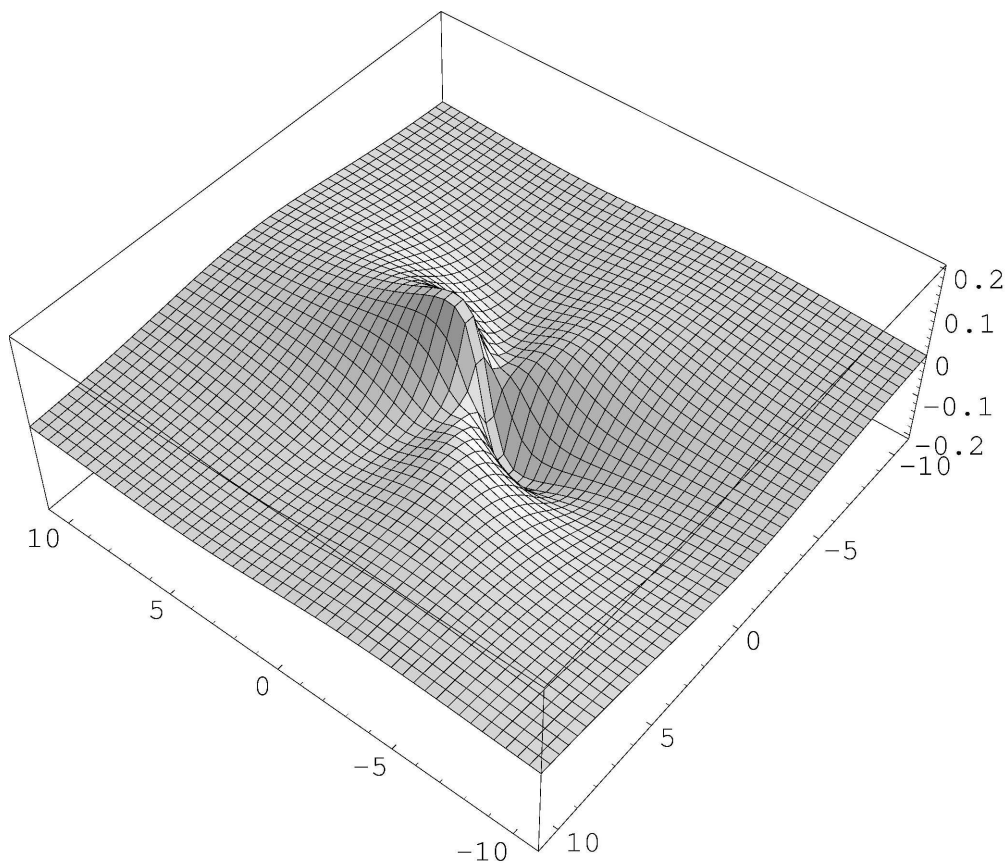
manly

1  
2  
3  
4  
5  
6  
7  
8  
9  
10  
11  
12  
13  
14  
15  
16  
17  
18  
19  
20  
21  
22  
23  
24  
25  
26  
27  
28  
29  
30  
31  
32  
33  
34  
35  
36  
37  
38  
39  
40  
41  
42  
43  
44  
45  
46  
47  
48  
49  
50  
51  
52  
53  
54  
55  
56  
57  
58  
59  
60



176x109mm (600 x 600 DPI)

Review Only

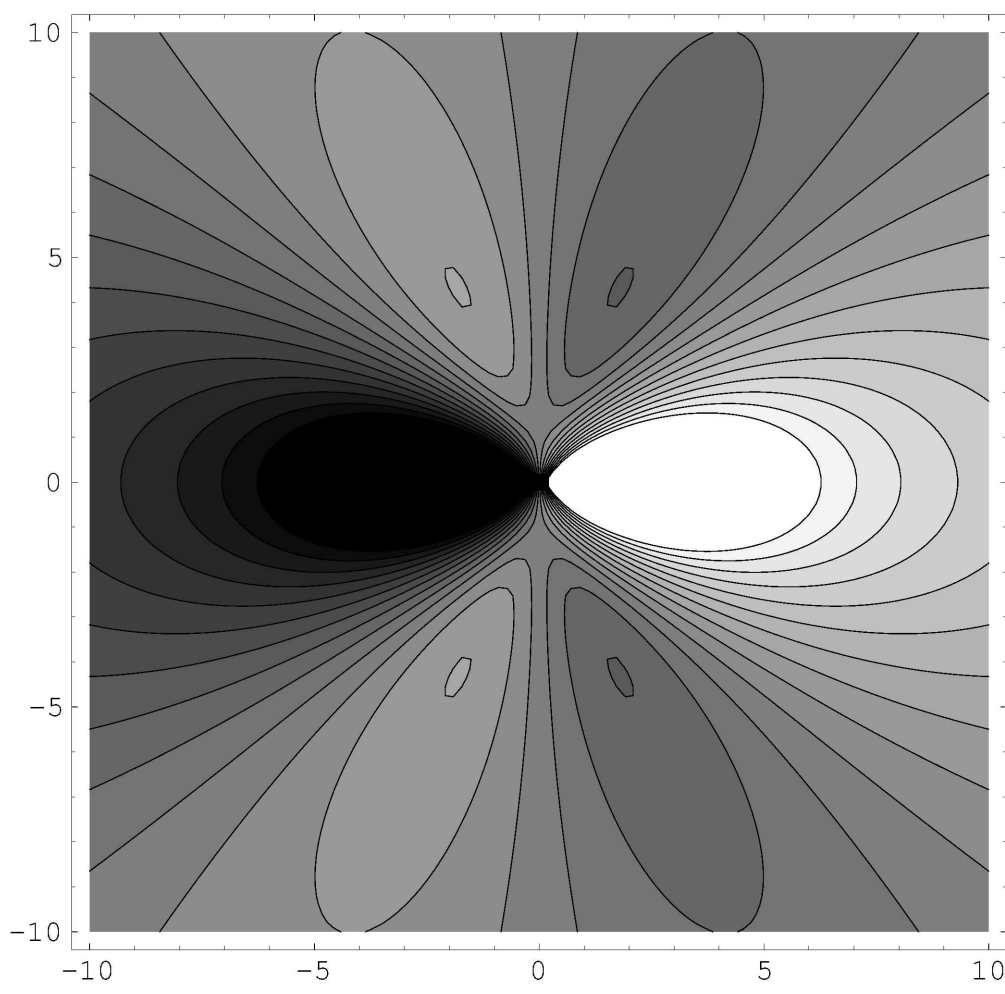


176x151mm (600 x 600 DPI)

Only

1  
2  
3  
4  
5  
6  
7  
8  
9  
10  
11  
12  
13  
14  
15  
16  
17  
18  
19  
20  
21  
22  
23  
24  
25  
26  
27  
28  
29  
30  
31  
32  
33  
34  
35  
36  
37  
38  
39  
40  
41  
42  
43  
44  
45  
46  
47  
48  
49  
50  
51  
52  
53  
54  
55  
56  
57  
58  
59  
60

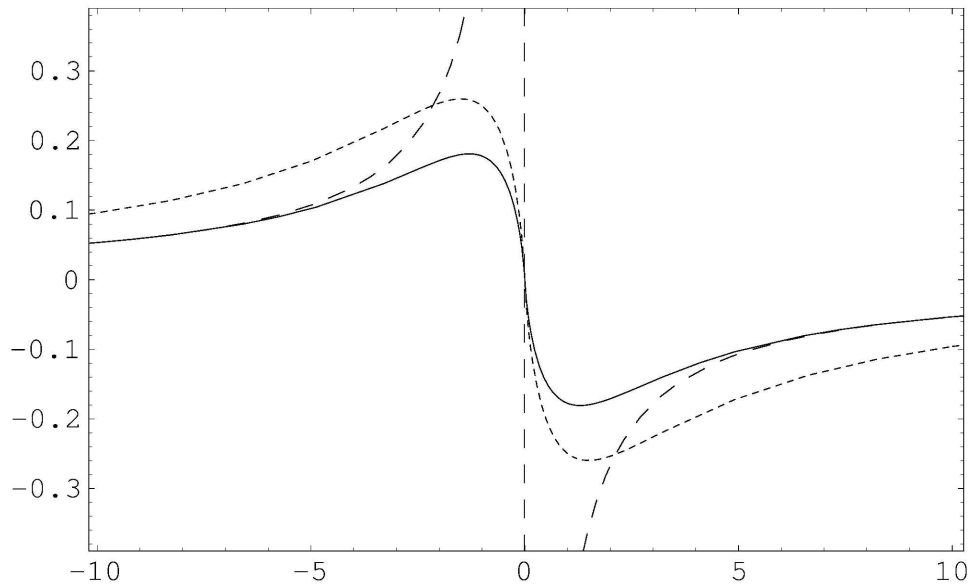
1  
2  
3  
4  
5  
6  
7  
8  
9  
10  
11  
12  
13  
14  
15  
16  
17  
18  
19  
20  
21  
22  
23  
24  
25  
26  
27  
28  
29  
30  
31  
32  
33  
34  
35  
36  
37  
38  
39  
40  
41  
42  
43  
44  
45  
46  
47  
48  
49  
50  
51  
52  
53  
54  
55  
56  
57  
58  
59  
60



176x172mm (600 x 600 DPI)

manly

1  
2  
3  
4  
5  
6  
7  
8  
9  
10  
11  
12  
13  
14  
15  
16  
17  
18  
19  
20  
21  
22  
23  
24  
25  
26  
27  
28  
29  
30  
31  
32  
33  
34  
35  
36  
37  
38  
39  
40  
41  
42  
43  
44  
45  
46  
47  
48  
49  
50  
51  
52  
53  
54  
55  
56  
57  
58  
59  
60

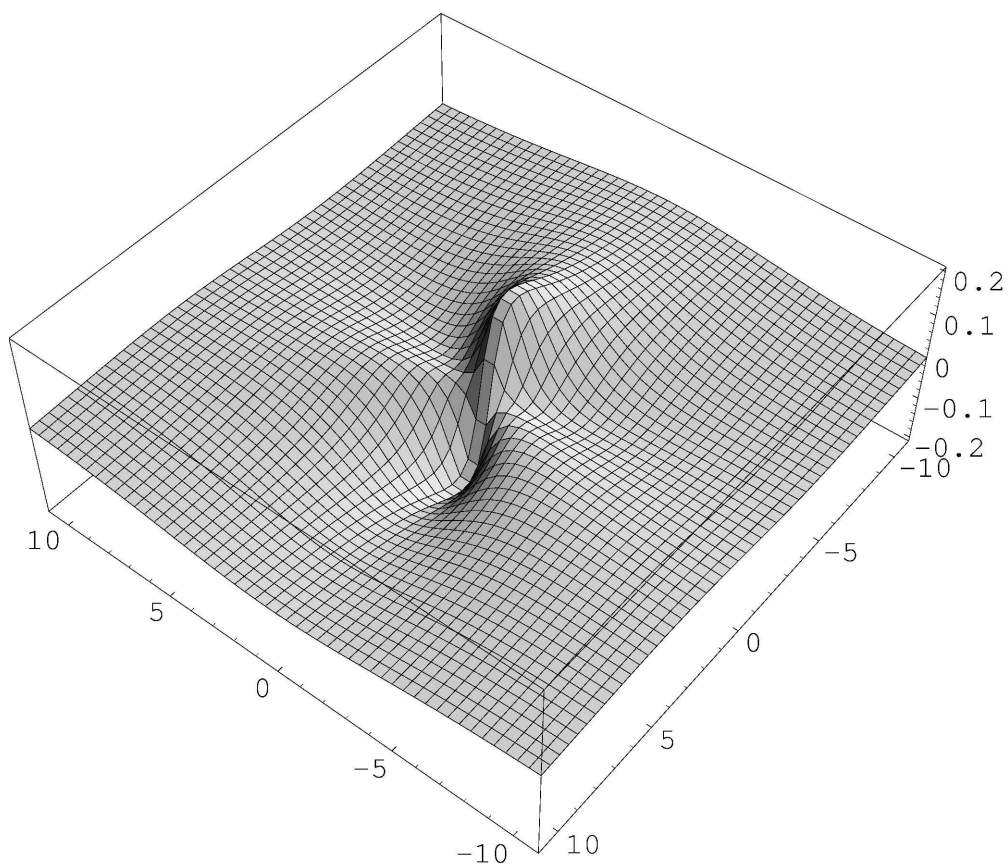


176x109mm (600 x 600 DPI)

Review Only



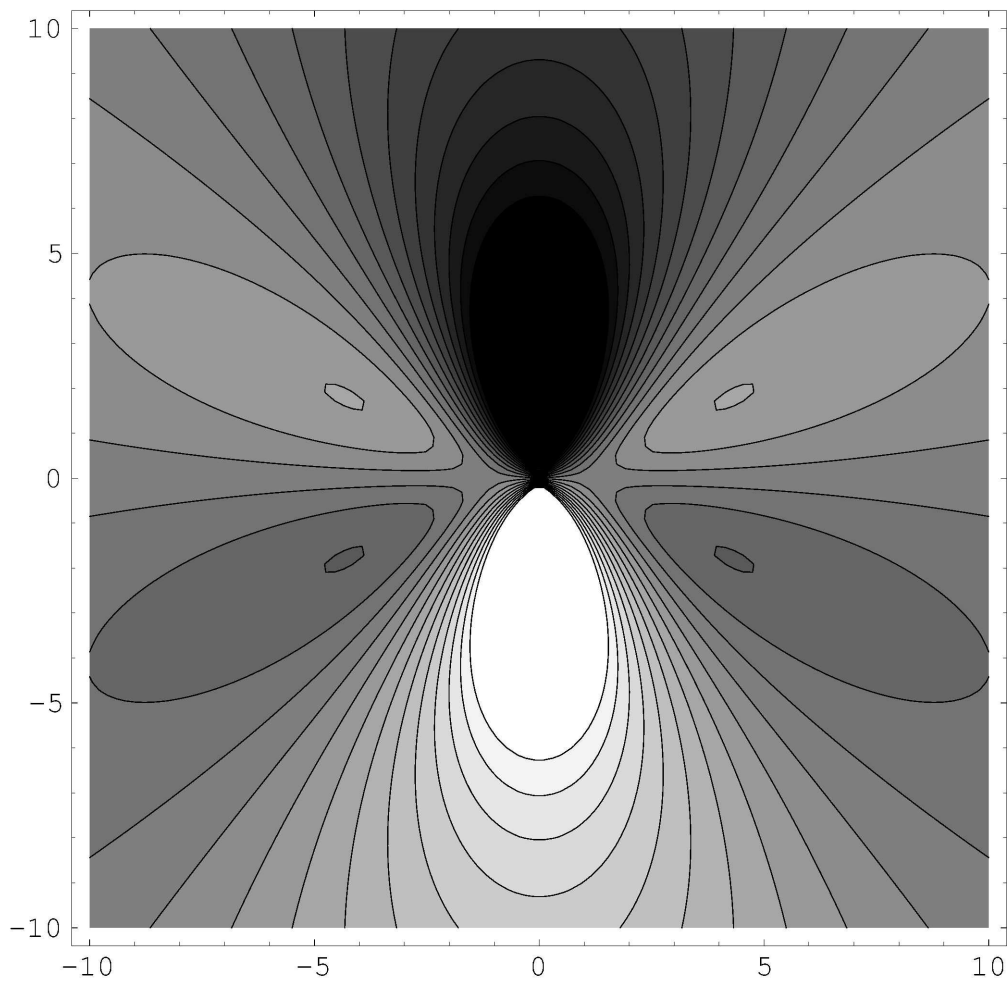
1  
2  
3  
4  
5  
6  
7  
8  
9  
10  
11  
12  
13  
14  
15  
16  
17  
18  
19  
20  
21  
22  
23  
24  
25  
26  
27  
28  
29  
30  
31  
32  
33  
34  
35  
36  
37  
38  
39  
40  
41  
42  
43  
44  
45  
46  
47  
48  
49  
50  
51  
52  
53  
54  
55  
56  
57  
58  
59  
60



176x151mm (600 x 600 DPI)

Only

1  
2  
3  
4  
5  
6  
7  
8  
9  
10  
11  
12  
13  
14  
15  
16  
17  
18  
19  
20  
21  
22  
23  
24  
25  
26  
27  
28  
29  
30  
31  
32  
33  
34  
35  
36  
37  
38  
39  
40  
41  
42  
43  
44  
45  
46  
47  
48  
49  
50  
51  
52  
53  
54  
55  
56  
57  
58  
59  
60



176x172mm (600 x 600 DPI)

manly