



HAL
open science

A high speed programmable focal-plane SIMD vision chip. Analog Integrated Circuits and Signal Processing

Dominique Ginhac, Jérôme Dubois, Barthélémy Heyrman, Michel Paindavoine

► To cite this version:

Dominique Ginhac, Jérôme Dubois, Barthélémy Heyrman, Michel Paindavoine. A high speed programmable focal-plane SIMD vision chip. Analog Integrated Circuits and Signal Processing. Analog Integrated Circuits and Signal Processing, 2010, 65 (3), pp.389-398. 10.1007/s10470-009-9325-7. hal-00482760

HAL Id: hal-00482760

<https://hal.science/hal-00482760>

Submitted on 11 May 2010

HAL is a multi-disciplinary open access archive for the deposit and dissemination of scientific research documents, whether they are published or not. The documents may come from teaching and research institutions in France or abroad, or from public or private research centers.

L'archive ouverte pluridisciplinaire **HAL**, est destinée au dépôt et à la diffusion de documents scientifiques de niveau recherche, publiés ou non, émanant des établissements d'enseignement et de recherche français ou étrangers, des laboratoires publics ou privés.

A high speed programmable focal-plane SIMD vision chip

Dominique Ginhac · Jérôme Dubois ·
Barthélémy Heyrman · Michel Paindavoine

Received: 24 March 2008 / Revised: 9 March 2009 / Accepted: 28 May 2009
© Springer Science+Business Media, LLC 2009

Abstract A high speed analog VLSI image acquisition and low-level image processing system is presented. The architecture of the chip is based on a dynamically reconfigurable SIMD processor array. The chip features a massively parallel architecture enabling the computation of programmable mask-based image processing in each pixel. Each pixel include a photodiode, an amplifier, two storage capacitors, and an analog arithmetic unit based on a four-quadrant multiplier architecture. A 64×64 pixel proof-of-concept chip was fabricated in a $0.35 \mu\text{m}$ standard CMOS process, with a pixel size of $35 \mu\text{m} \times 35 \mu\text{m}$. The chip can capture raw images up to 10,000 fps and runs low-level image processing at a framerate of 2,000–5,000 fps.

Keywords CMOS image sensor · Parallel architecture · SIMD · High-speed image processing · Analog arithmetic unit

1 Introduction

Today, improvements in the growing digital imaging world continue to be made with two main image sensor technologies: charge coupled devices (CCD) and CMOS sensors. The continuous advances in CMOS technology for processors and DRAMs have made CMOS sensor arrays a viable alternative to the popular CCD sensors. This led to the adoption of CMOS image sensors in several high-volume products, such as webcams, mobile phones, PDAs for example. New technologies provide the potential for

integrating a significant amount of VLSI electronics into a single chip, greatly reducing the cost, power consumption, and size of the camera [1–4]. By exploiting these advantages, innovative CMOS sensors have been developed and have demonstrated fabrication cost reduction, low power consumption, and size reduction of the camera [5–7].

The main advantage of CMOS image sensors is the flexibility to integrate processing down to the pixel level. As CMOS image sensors technologies scale to $0.18 \mu\text{m}$ processes and under, processing units can be realized at chip level (*system-on-chip* approach), at column level by dedicating processing elements to one or more columns, or at pixel-level by integrating a specific unit in each pixel or local of neighboring pixels. Most of the researches deals with chip and column-level [8–11]. Indeed, pixel-level processing is generally dismissed because pixel sizes are often too large to be of practical use. However, as CMOS scales, integrating a processing element at each pixel or group of neighboring pixels becomes feasible. This offers the opportunity to increase quality of imaging in terms of resolution, noise for example by integrating specific processing functions such as correlated double sampling [12], anti blooming [13], high dynamic range [14], and even all basic camera functions (color processing functions, color correction, white balance adjustment, gamma correction) onto the same camera-on-chip [15]. Furthermore, employing a processing element per pixel offers the ability to exploit the high speed imaging capabilities of the CMOS technology by achieving massively parallel computations [16–22]. Komuro et al. [16] describe a new vision chip architecture for high-speed target tracking based on hardware implementation of bit-serial and cumulative summation circuits. Rodriguez-Vasquez et al. [17, 18] present a chip based on arrays of mixed-signal processing elements conceived to cover the early stages of the visual processing

D. Ginhac (✉) · J. Dubois · B. Heyrman · M. Paindavoine
LE2I—Université de Bourgogne, Aile des Sciences de
l'Ingénieur, BP 47870, 21078 Dijon Cedex, France
e-mail: dginhac@u-bourgogne.fr

path in a fully-parallel manner. Lindgren et al. [19] presents a multiresolution general-purpose high-speed machine vision sensor with on-chip image processing capabilities dedicated to high-speed multisense imaging. Sugiyama et al. [20] have developed a specific imager performing both target tracking within a 512×512 -pixel entire image area and acquisition of partial images simultaneously and independently. Dudek and Hicks [21] describes a smart-sensor VLSI circuit suitable for focal-plane low-level image processing applications which is characterized by small cell area, low power dissipation and the ability to execute a variety of image processing algorithms in real-time. Miao et al. [22] present a programmable vision chip for real-time vision applications based on a pixel processing element array and row-parallel processors, able to implement mathematical morphology algorithms such as erosion and dilatation.

In this paper, we discuss hardware implementation issues of a high speed CMOS imaging system with per-pixel image processing. Embedding low-level tasks at focal plane is quite interesting for several aspects. First, the key features are the capability to operate in accordance with the principles of single instruction multiple data (SIMD) computing architectures [17]. This enables massively parallel computations with processing times, independent of the resolution of the sensor. This leads to high framerates up to thousands of images per second, with a rather low power consumption [23–25]. Secondly, embedding hardware processing operators, along with the sensor's array, enables to remove the classical input output bottleneck between the sensor and the external processors in charge of processing the pixel values. This can benefit the implementation of new complex applications at standard rates and can also improve the performance of existing video applications such as motion vector estimation [26, 27], multiple capture with dynamic range [28, 29], and pattern recognition [30].

To sum up, we designed, fabricated, and tested a proof-of-concept 64×64 pixel CMOS analog sensor with per-pixel programmable processing element in a standard $0.35 \mu\text{m}$ double-poly quadruple-metal CMOS technology. The analog processing operators are fully programmable devices by dynamic reconfiguration. They can be viewed as a software-programmable image processor dedicated to low-level image processing. The main objectives of our design are: (1) to evaluate the potential for high speed snap-shot imaging and, in particular, to reach a 10,000 fps rate, (2) to demonstrate a versatile and reconfigurable processing unit at pixel-level, and (3) to provide an original platform for experimenting with low-level image processing algorithms that exploit high-speed imaging.

The rest of the paper is organized as follows. The main characteristics of the sensor architecture are described in the Sect. 2. The Sect. 3 talks about the design of the circuit,

with a full description of the photodiode structure, the embedded analog memories, and the arithmetic unit. In the Sect. 4, we describe the test hardware platform and the chip characterization results. Finally, some experimental results of high speed image acquisition with pixel-level processing are described in the last section of this paper.

This paper is an extended and complementary version of a preliminary paper [31] dedicated to fundamental theoretical aspects and specificities of our image sensor. In this new paper, focus has been made on image processing and the development and implementation of various low level image processing applications on the chip.

2 Description of the architecture

The proof-of-concept chip presented in this paper is depicted in Fig. 1. The core includes a two-dimensional array of 64×64 identical processing elements (PE). Each PE follows the SIMD computing paradigm and is able to convolve the pixel value issued from the photodiode by applying a set of mask coefficients to the image pixel values located in a small neighborhood. The key idea is that a global control unit can dynamically reconfigure the convolution kernel masks and then implements the most part of low-level image processing algorithms [17, 18]. This confers the functionality of programmable processing devices to the PEs embedded in the circuit. Each individual PE includes the following elements:

- a photodiode dedicated to the optical acquisition of the visual information and the light-to-voltage transduction,
- two *analog memory, amplifier and multiplexer* structures called $[\text{AM}]^2$, which serve as intelligent pixel memories and are able to dissociate the acquisition of the current frame in the first memory and the processing of the previous frames in the second memory,
- an *Analog arithmetic unit* named A^2U based on four analog multipliers, which performs the linear combination of the four adjacent pixels using a 2×2 convolution kernel.

In brief, each PE includes 38 transistors integrating all the analog circuitry dedicated to the image processing algorithms. The global size of the PE is $35 \mu\text{m} \times 35 \mu\text{m}$ ($1,225 \mu\text{m}^2$). The active area of the photodiode is $300 \mu\text{m}^2$, giving a fill-factor of 25%. The chip has been realized in a standard $0.35 \mu\text{m}$ double-poly quadruple-metal CMOS technology and contains about 160,000 transistors on a $3.67 \text{ mm} \times 3.77 \text{ mm}$ die (13.83 mm^2). The chip also contains test structures on the bottom left of the chip. These structures are used for detailed characterization of the photodiodes and processing units.

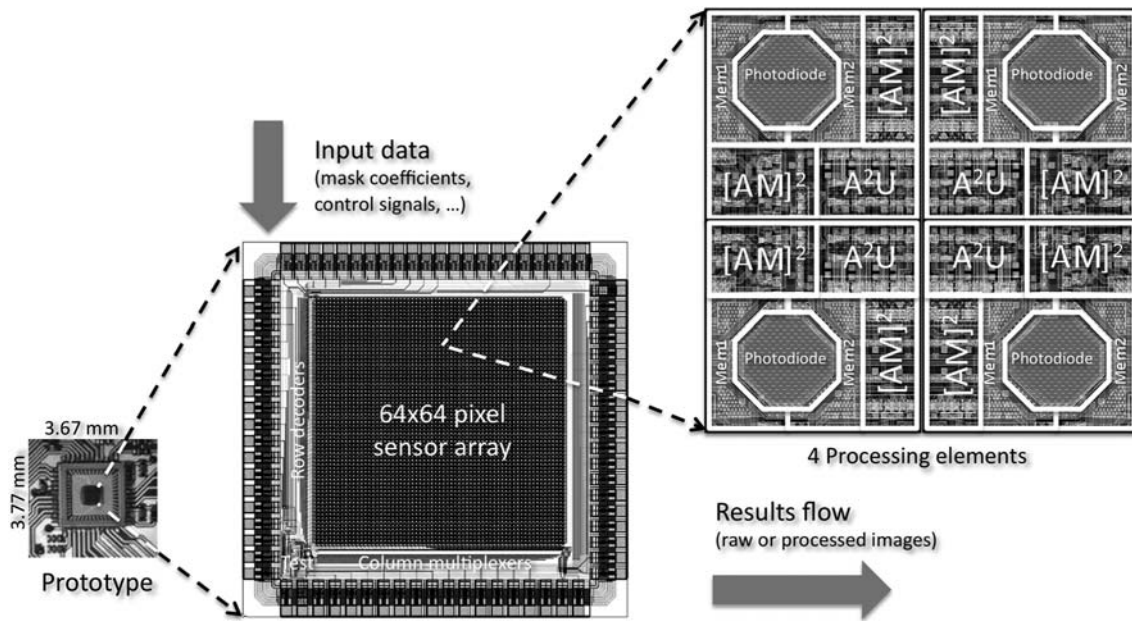


Fig. 1 Overview of the image sensor with a processor-per-pixel array

3 Circuit design

3.1 Pixel structure

Each pixel in the CMOS image sensor array includes a photodiode and a processing unit dedicated to low-level image processing based on neighborhoods. In our chip, the type of photodiodes is one of the simplest photo element in CMOS image sensor technology, i.e. N-type photodiodes based on an n^+ -type diffusion in a p-type silicon substrate. In order to achieve good performances, the photodiodes have been designed and optimized carefully, in order to minimize critical parameters such as the dark current and the spectral response [32]. Moreover, the shape and the layout of photodiode have significant influences on the performance of the whole imager [33, 34]. The active area of the photodiode absorbs the illumination energy and turns that energy into charge carriers. This active area must be large as possible in order to absorb a maximum of photons. In the mean time, the control circuitry required for the readout of the collected charges and the inter-element isolation area must be as small as possible in order to obtain the best fill factor. We have theoretically analyzed, designed and benchmarked different photodiodes shapes [31], and finally, an octagonal shape based on 45° structures was chosen (see Fig. 1).

The second part of the pixel is the analog processing unit, dedicated to the implementation of various in situ image processing using local neighborhoods. This forces a re-thinking of the spatial distribution of the processing resources, so that each computational unit can easily use a

programmable neighborhood of pixels. For this purpose, the pixels are mirrored about the horizontal and the vertical axis in order to share the different *Analog arithmetic units* (A^2U). As example, a block of 2×2 pixels is depicted in Fig. 1. Such a distribution optimizes the compactness of the metal interconnections between pixels, giving a better fill factor.

3.2 Analog memory, amplifier and multiplexer $[AM]^2$

In order to increase the algorithmic possibilities of the architecture, one potential solution is the separation of the acquisition of the light inside the photodiode and the readout of the stored value at pixel-level [35]. One of the main advantages of such structures is that the capture sequence can be made in the first memory in parallel with a readout sequence and/or processing sequence of the previous image stored in the second memory, as shown in Fig. 2.

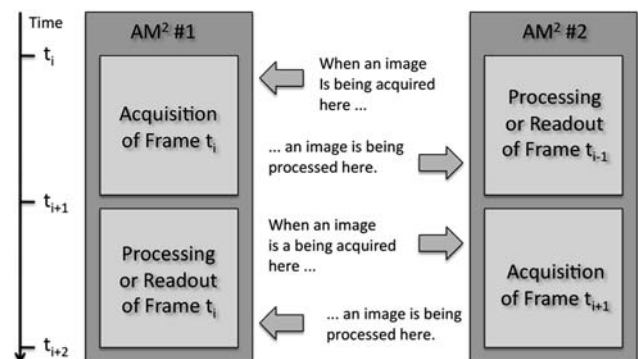


Fig. 2 Parallelism between capture sequence and readout sequence

Such a strategy has several advantages:

1. The framerate can be increased (up to 2×) without reducing the exposure time,
2. The image acquisition is time-decorrelated from image processing, implying that the architecture performance is always the highest, and the processing framerate is maximum,
3. A new image is always available without spending any integration time.

So, for each pixel, we have designed and implemented two specific circuits called *analog memory, amplifier, and multiplexer* [AM]², as shown in Fig. 3. The system has four successive operation modes: acquisition, storage, amplification, and readout. All these phases are externally controlled by global signals common to the full array of pixels. In each pixel, the photosensor is associated with a PMOS transistor reset. This switch resets the pixel to the fixed voltage V_{dd} . The pixel array is held in the reset mode until the *init* signal raises, turning the PMOS transistor off. Then, the photodiode discharges for a fixed period, according to the incidental luminous flow. The first NMOS transistor acts as a voltage follower, producing the voltage V_{ph} , directly proportional to the incident light intensity. The integrated voltage is biased around $V_{dd}/2$ by the second NMOS transistor, with a positive reference bias voltage ($V_{bias} = 1.35$ V). Following the acquisition stage, two identical subcircuits [AM]_{*i*}² (with $i = 1, 2$) realize the storage phase of V_{ph} . Each [AM]² includes three pairs of NMOS and PMOS transistors and a capacitor which acts as an analog memory. The subcircuit [AM]_{*i*}² is selected when the *st_i* signal is turned on. Then, the associated analog switch is open allowing the charge of the corresponding C_i capacitor with a voltage level reflecting the integrated photocurrent. Consequently, the capacitors are able to store the pixel value during the frame capture from one of the two switches. The capacitors are implemented with double-polysilicon. The size of the capacitors is as large as

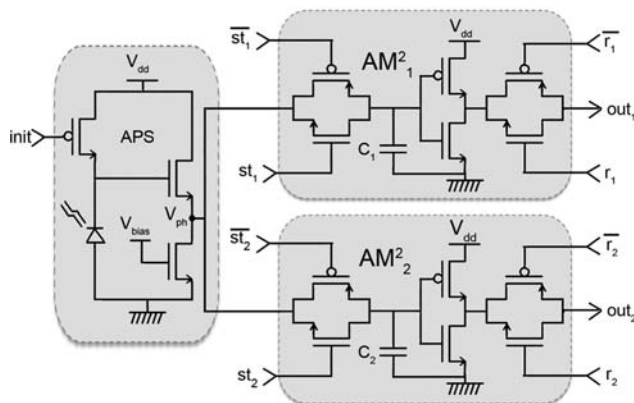


Fig. 3 The [AM]² structure

possible in order to respect the fill-factor and the pixel size requirements. The capacitors values are about 40 fF. They are able to store the pixel value for 20 ms with an error lower than 4%. Behind the storage subcircuit, a basic CMOS inverter is integrated. This inverter serves as a linear high-gain amplifier around $V_{dd}/2$ with a gain of 12. Finally, the last phase consists in the readout of the stored values in the capacitors C_i , through one of the two switches, controlled by the r_i signals.

3.3 Analog arithmetic unit (A²U)

Our analog arithmetic unit (A²U) is able to perform convolution of the pixels with a 2×2 dynamic kernel. This unit is based on four-quadrant analog multipliers [36, 37] named M1, M2, M3, and M4, as illustrated in Fig. 4. Each A²U includes only 22 transistors leading to a relative small area, simplicity. Each multiplier M_i (with $i = 1, \dots, 4$) takes two analog signals V_{i1} and V_{i2} and produces an output V_{iS} which is their product. The outputs of multipliers are all interconnected with a diode-connected transistor employed as load. Consequently, the global operation result at the V_S point is a linear combination of the four products V_{iS} . Image processing operations such as spatial convolution can be easily performed by connecting the inputs V_{i1} to the kernel coefficients and the inputs V_{i2} to the corresponding pixel values.

Considering the MOS transistors operating in sub-threshold region, the output node V_{iS} of a multiplier can be expressed as a function of the two inputs V_{i1} and V_{i2} as follows:

$$k_r(V_{ThN} - V_{i1})(V_{i1} - V_{i2} - V_{ThN}) = (V_{i1} - V_{iS} - V_{ThN})(V_{i2} - V_{iS} - V_{ThN} - V_{ThP}) \quad (1)$$

with k_r represents the transconductance factor, V_{ThN} and V_{ThP} are the threshold voltage for the NMOS and PMOS

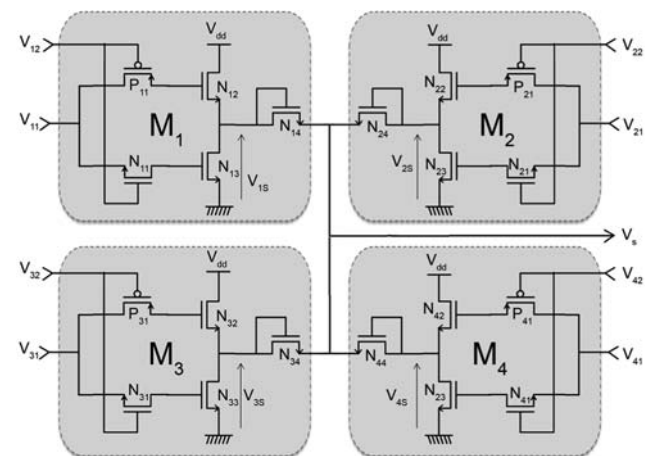


Fig. 4 The A²U structure

transistors. Around the operating point ($V_{dd}/2$), the variations of the output node mainly depend on the product $V_{i1}V_{i2}$. So, the Eq. 1 can be simplified and finally, the output node V_{iS} can be expressed as a simple first-order of the two input voltages V_{i1} and V_{i2} .

$$V_{iS} = MV_{i1}V_{i2} \quad \text{with,} \quad M = \frac{k_r - 1}{2V_{ThN} + V_{ThP}} \approx 8.07/V \tag{2}$$

The value of the coefficient M gives a primordial importance to the term $V_{i1}V_{i2}$ in Eq. 1, limiting the impact of second-order products. Consequently, the output V_{iS} mainly depends on the input values V_{i1} and V_{i2} around the operating point $V_{dd}/2$. This leads to a good linearity of our multiplier design integrating only five transistors.

4 Chip characterization

An experimental 64×64 pixel image sensor has been developed in a $0.35 \mu\text{m}$, 3.3 V, standard CMOS process with poly-poly capacitors. Its functional testing and its characterization were performed using a specific hardware platform. The hardware part of the imaging system contains a one million Gates Spartan-3 FPGA board with 32MB SDRAM embedded. This FPGA board is the XSA-3S1000 from XESS Corporation. An interface acquisition circuit includes three ADC from Analog Device (AD9048), high speed LM6171 amplifiers and others elements such as

the motor lens. Figure 5 shows the schematic and some pictures of the experimental platform.

4.1 Electrical characterization

The sensor was quantitatively tested for conversion gain, sensitivity, fixed pattern noise, thermal reset noise, output levels disparities, voltage gain of the amplifier stage, linear flux, and dynamic range. Table 1 summarizes these imaging sensor characterization results.

To determine these values, the sensor included specific test pixels in which some internal node voltages can be directly read. The test equipment hardware is based on a light generator with wavelength of 400–1100 nm. The sensor conversion gain was evaluated to $54 \mu\text{V}/e^-$ RMS with a sensitivity of 0.15 V/lux.s, thanks to the octagonal shape of the photodiode and the fill factor of 25%. At 10,000 fps, measured non-linearity is 0.12% over a 2 V range. These performances are similar to the sensor described in [25]. According to the experimental results, the voltage gain of the amplifier stage of the two $[AM]^2$ is $A_v = 12$ and the disparities on the output levels are about 4.3%.

4.2 Fixed pattern noise

Image sensors always suffer from technology related nonidealities that can limit the performances of the vision system. Among them, fixed pattern noise (FPN) is the

Fig. 5 Block diagram and pictures of the hardware platform including FPGA board and CMOS sensor

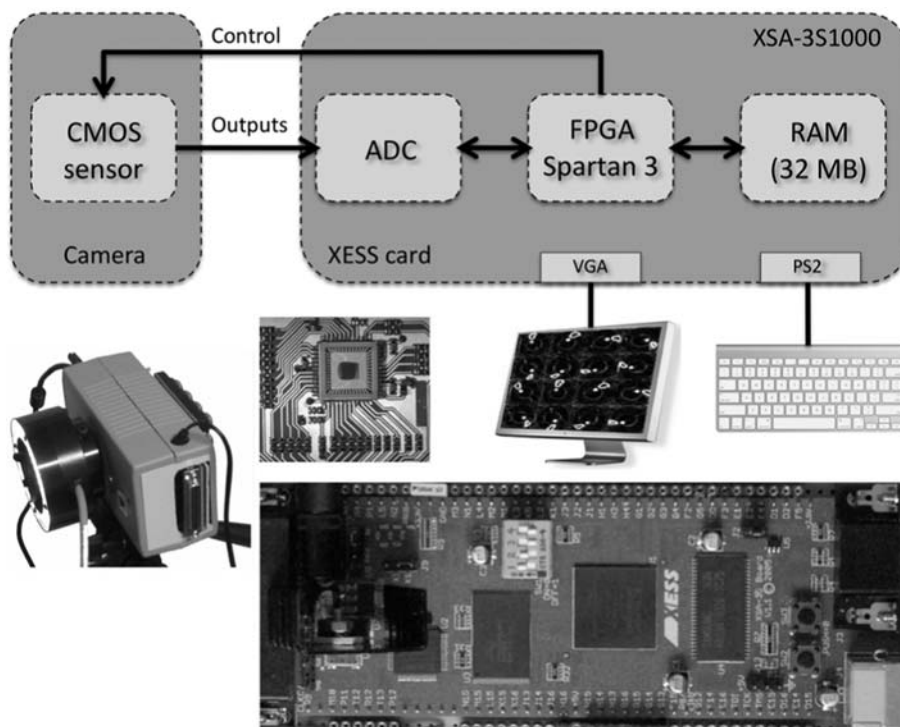
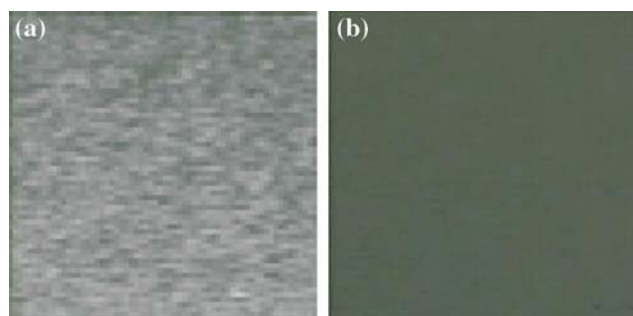
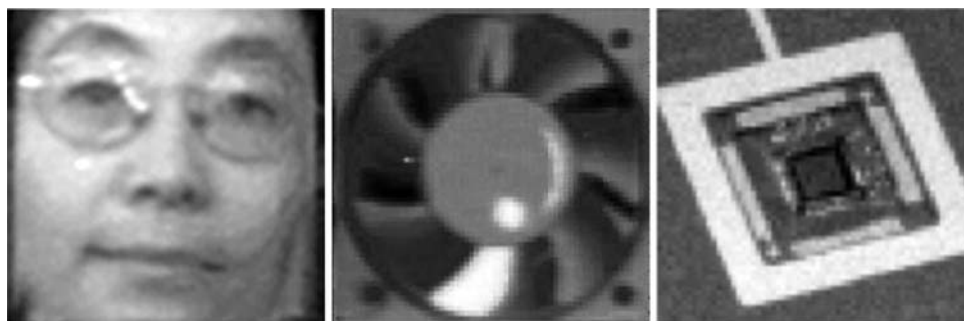


Table 1 Chip measurements

Conversion gain	54 $\mu\text{V}/e^-$ RMS
Sensitivity	0.15 V/lux.s
FPN	225 μV RMS
Thermal reset noise	68 μV RMS
Output levels disparities	4.3%
Amplifier gain	12
Linear flux	98.5%
Dynamic range	68 dB

variation in output pixel values, under uniform illumination, due to device and interconnect mismatches across the image sensor. FPN can be reduced by implementing correlated double sampling (CDS). To implement CDS, each pixel output needs to be read twice, after reset and at the end of integration time. The correct pixel signal is obtained by subtracting the two values. A CDS can be easily implemented in our chip. For this purpose, the first analog memory stores the pixel value just after the reset signal and the second memory stores the value at the end of integration. Then, at the end of the image acquisition, the two values can be transferred to the FPGA, responsible for producing the difference.

In Fig. 6, the two images show fixed pattern noise with and without CDS using a 1-ms integration time. On the left image, the FPN (225 μV RMS) is mainly due to the random variations in the offset voltages of the pixel-level

**Fig. 6** Images of fixed pattern noise **a** without CDS and **b** with CDS for an integration time of 1 ms**Fig. 7** Various raw images acquisition at 1,000, 5,000 and 10,000 fps

analog structures. On the right picture, the FPN has been reduced by a factor of 34–6.6 μV after an analog CDS, performed as described above.

5 High-speed image processing applications

5.1 Sample images

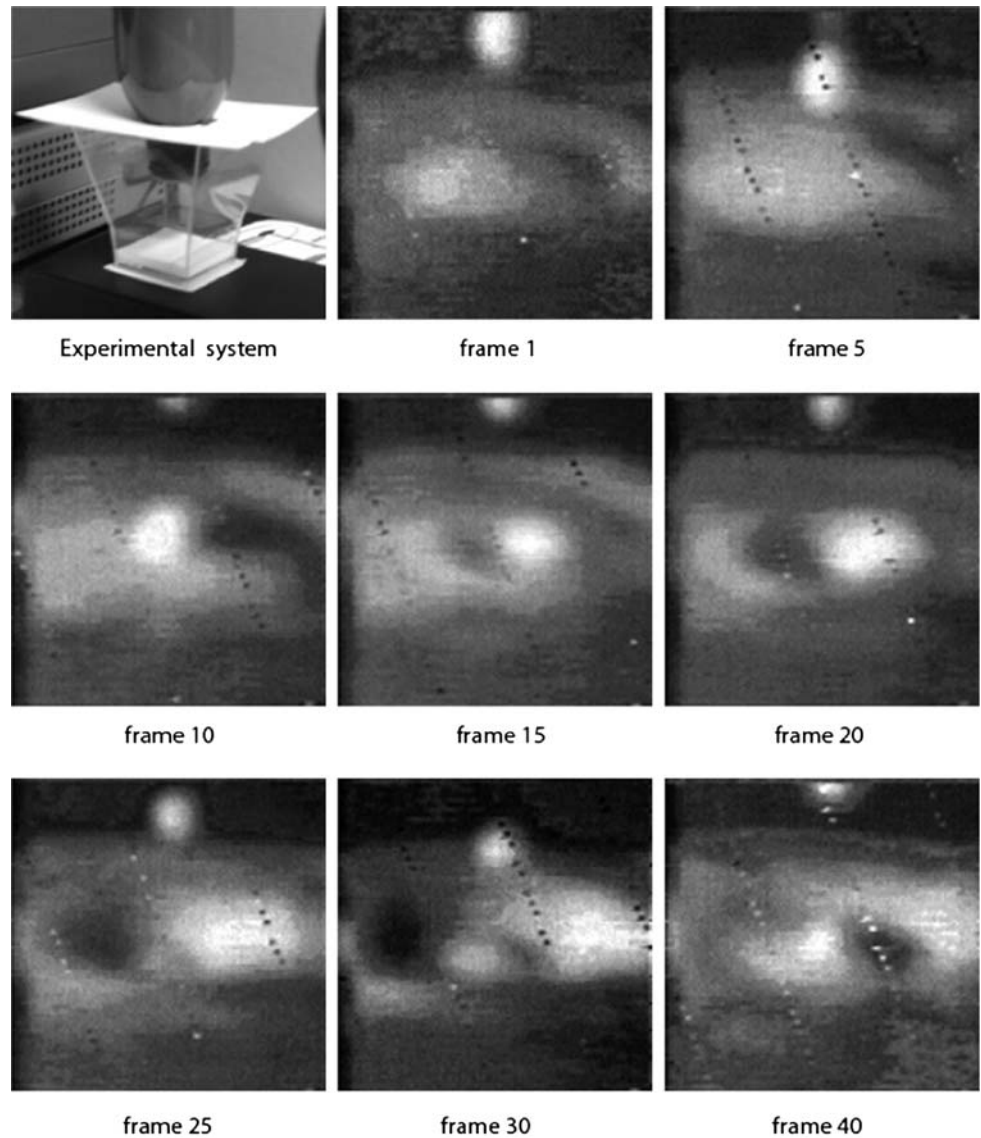
The prototype chip was used for acquisition of raw images. First, sample raw images of stationary scenes were captured at different framerates, as shown in Fig. 7. In the three views, no image processing is performed on the video stream, except for amplification of the photodiodes signal. From left to right, we can see a human face obtained at 1,000 fps, a static electric fan at 5,000 fps, and a electronic chip at 10,000 fps. The exploitation of high FPS capability with the 64×64 -pixel sensor is obtained with a simple sequencer in charge of the transfer of analog pixel values to external ADCs. For bigger sensors, it could be achieved with the integration of a dedicated output module able to cope with a gigapixel per second bandwidth. Another possible solution is to assemble 64×64 -pixel modules with a dedicated output bus for each of them.

Figure 8 represents different frames of a moving object, namely, a milk drop splashing sequence. In order to capture the details of such a rapidly moving scene, the sensor operates at 2,500 fps and stores a sequence of 50 images. The frames 1, 5, 10, 15, 20, 25, 30 and 40 is shown in the figure.

5.2 Sobel operator

The Sobel operator estimates the gradient of a 2D image. It is used for edge detection in the preprocessing stage of computer vision systems. The classical algorithm is based on a pair of 3×3 convolution kernels (see Eq. 3), one to detect changes along the vertical axis (h_1) and another to detect horizontal contrast (h_2). For this purpose, the algorithm performs a convolution between the image and the sliding convolution mask over the image. It manipulates 9

Fig. 8 A 2,500 fps video sequence of a milk drop splashing



pixels for each value to produce. The value corresponds to an approximation of the gradient centered on the processed image area.

$$h_1 = \begin{pmatrix} -1 & 0 & 1 \\ -2 & 0 & 2 \\ -1 & 0 & 1 \end{pmatrix} h_2 = \begin{pmatrix} -1 & -2 & -1 \\ 0 & 0 & 0 \\ 1 & 2 & 1 \end{pmatrix} \quad (3)$$

The structure of our architecture is well-adapted to the evaluation of the Sobel algorithm. It leads to the result directly centered on the photo-sensor and directed along the natural axes of the image. The gradient is computed in each pixel of the image by performing successive linear combinations of the four adjacent pixels. For this purpose, each 3×3 kernel mask is decomposed into two 2×2 masks that successively operate on the whole image. For the kernel h_1 , the corresponding 2×2 masks are:

$$m_1 = \begin{pmatrix} -1 & 0 \\ -1 & 0 \end{pmatrix} m_2 = \begin{pmatrix} 0 & 1 \\ 0 & 1 \end{pmatrix} \quad (4)$$

The Fig. 9 represents the 3×3 mask centered on the pixel ph_5 . Each octagonal photodiode ph_i ($i = 1, \dots, 9$) is associated with a processing element PE_i , represented with a circle on the figure. Each PE_i is positioned on the bottom right of its photodiode, as in the real layout of the circuit (see Fig. 1). The first mask m_1 contributes to evaluate the following series of operations for the four PE_i s:

$$\begin{aligned} V_{11} &= -(V_{ph_1} + V_{ph_4}) \\ V_{12} &= -(V_{ph_2} + V_{ph_5}) \\ V_{14} &= -(V_{ph_4} + V_{ph_7}) \\ V_{15} &= (V_{ph_5} + V_{ph_8}) \end{aligned} \quad (5)$$

and the second mask m_2 computes:

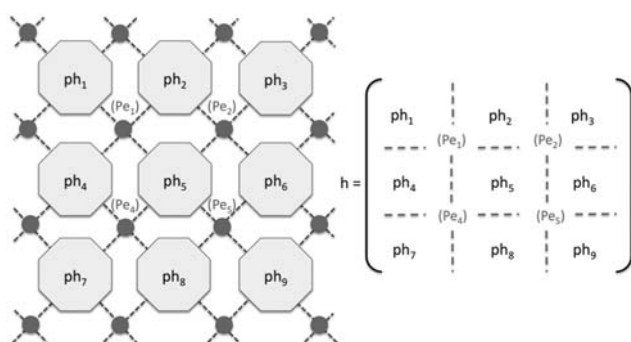


Fig. 9 3×3 kernel used by the four processing elements

$$\begin{aligned} V_{21} &= +(V_{ph_2} + V_{ph_5}) \\ V_{22} &= +(V_{ph_3} + V_{ph_6}) \\ V_{24} &= +(V_{ph_5} + V_{ph_8}) \\ V_{25} &= +(V_{ph_6} + V_{ph_9}) \end{aligned} \quad (6)$$

with V_{ij} corresponding to the result provided by the processing element PE_j ($j = 1, 2, \dots, 9$) with the mask m_i ($i = 1, 2$), and V_{ph_k} ($k = 1, 2, \dots, 9$), the voltages representing the incidental illumination on each photodiode ph_k . Then, the evaluation of the gradient at the center of the mask can be computed by summing the different values on the external FPGA. Note that $V_{12} = -V_{21}$ and $V_{15} = -V_{24}$. So, the final sum can be simplified and written as $V_{h1} = V_{11} + V_{22} + V_{25} + V_{14}$. If we define a retina cycle as the time spent for the configuration of the coefficients kernel and the preprocessing of the image, the evaluation of the gradient on the vertical direction only spends a frame acquisition and two retina cycles. By generalization, the estimation of the complete gradient along the two axis spends four cycles because it involves four dynamic configurations.

In short, the dynamic assignment of coefficient values from the external processor gives the system some interesting dynamic properties. The system can be easily reconfigured by changing the internal coefficients for the masks between two successive computations. First, this allows the possibility to dynamically change the image processing algorithms embedded in the sensor. Secondly, this enables the evaluation of some complex pixel-level algorithms, implying different successive convolutions. The images can be captured at higher framerates than the standard framerate, processed by exploiting the analog memories and the reconfigurable processing elements and output at a lower framerate depending of the number of the dynamic reconfigurations. Moreover, the analog arithmetic units implementing these pixel-level convolutions drastically decrease the number of single operations such as additions and multiplications executed by an external processor (a FPGA in our case) as shown in Fig. 5. Indeed,

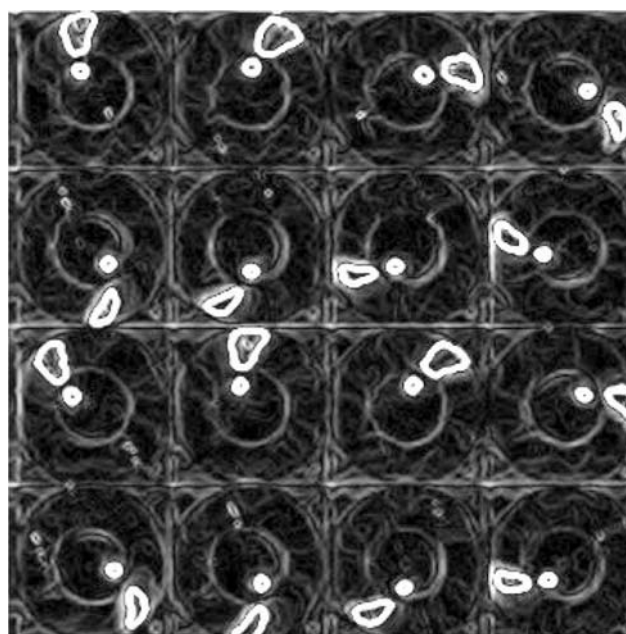


Fig. 10 Sequence of 16 images with Sobel operator

in the case of our experimental 64×64 pixel sensor, the peak performance is equivalent to four parallel signed multiplications by pixel at 10,000 fps, i.e. more than 160 million multiplications per second. With a VGA resolution (640×480), the performance level would increase to a factor of 75, leading to about 12 billion multiplications per second. Processing this data flow by external processors will imply important hardware resources in order to cope with the temporal constraints.

As an illustration of the Sobel algorithm, Fig. 10 is an example sequence of 16 images of a moving object, namely, an electric fan. Two white specific markers are placed on the fan, i.e. a small circle near the rotor and a painted blade. The speed rotation of the fan is 3,750 rpm. In order to capture such a rapidly moving object, a short integration time ($100 \mu s$) was used for the frames acquisition. The Sobel algorithm allows to distinguish clearly the two white markers even with a high framerate.

6 Conclusion and perspectives

An experimental pixel sensor implemented in a standard digital CMOS $0.35 \mu m$ process has been described in this paper. The architecture of the chip is based on a dynamically reconfigurable SIMD processor array, featuring a massively parallel architecture dedicated to programmable low-level image processing. Each $35 \mu m \times 35 \mu m$ pixel contains 38 transistors implementing a circuit with photocurrent integration, two $[AM]^2$ and an A^2U . A 64×64 pixel proof-of-concept chip was fabricated. A dedicated

embedded platform including FPGA and ADCs has also been designed to evaluate the vision chip.

Experimental results reveal that raw image acquisition at 10,000 fps can be easily achieved using the parallel A²U implemented at pixel-level. With basic image processing, the maximal framerate slows down to about 5,000 fps. The potential for dynamic reconfiguration of the sensor was also demonstrated in the case of the Sobel operator.

The next step in our research will be the design of a similar circuit in a modern 130 nm CMOS technology with pixel size less than 10 μm \times 10 μm . In order to evaluate this future chip in some realistic conditions, we would like to design a CIF sensor (352 \times 288 pixels), which leads to a 3.2 mm \times 2.4 mm in a 130 nm technology. In the same time, we will focus on the development of a fast analog to digital converter (ADC). The integration of this ADC on future chips will allow us to provide new and sophisticated vision systems on chip (ViSOC) dedicated to digital embedded image processing at thousands of frames per second.

References

- Fossum, E. (1993). Active pixel sensors: Are CCDs dinosaurs? *International Society for Optical Engineering (SPIE)*, 1900, 2–14.
- Fossum, E. (1997). CMOS image sensor: Electronic camera on a CHIP. *IEEE Transactions on Electron Devices*, 44(10), 1689–1698.
- Seitz, P. (2000). Solid-state image sensing. *Handbook of computer Vision and Applications*, 1, 165–222.
- Litwiller, D. (2001). CCD vs. CMOS: Facts and fiction. *Photonics Spectra*, 35, 154–158.
- Aw, C. H., & Wooley, B. (1996). A 128 \times 128-pixel standard-cmos image sensor with electronic shutter. *IEEE Journal of Solid State Circuits*, 31(12), 1922–1930.
- Loinaz, M., Singh, K., Blanksby, A., Inglis, D., Azadet, K., & Ackland, B. (1998). A 200 mV 3.3 V CMOS color camera IC producing 352 \times 288 24-b video at 30 frames/s. *IEEE Journal of Solid-State Circuits*, 33(12), 2092–2103.
- Smith, S., Hurwitz, J., Torrie, M., Baxter, D., Holmes, A., Panaghiston, M., Henderson, R., Murrayn, A., Anderson, S., & Denyer P. (1998). A single-chip 306 \times 244-pixel CMOS NTSC video camera. In *ISSCC digest of technical papers*, San Francisco, CA (pp. 170–171).
- Yadid-Pecht, O., & Belenky, A. (2003). In-pixel autoexposure CMOS APS. *IEEE Journal of Solid-State Circuits*, 38(8), 1425–1428.
- Acosta-Serafini, P., Ichiro, M., & Sodini, C. (2004). “A 1/3” VGA linear wide dynamic range CMOS image sensor implementing a predictive multiple sampling algorithm with overlapping integration intervals. *IEEE Journal of Solid-State Circuits*, 39(9), 1487–1496.
- Kozlowski, L., Rossi, G., Blanquart, L., Marchesini, R., Huang, Y., Chow, G., Richardson, J., & Standley, D. (2005). Pixel noise suppression via SoC management of target Reset in a 1920 \times 1080 CMOS image sensor. *IEEE Journal of Solid-State Circuits*, 40(12), 2766–2776.
- Sakakibara, M., Kawahito, S., Handoko, D., Nakamura, N., Higashi, M., Mabuchi, K., & Sumi, H. (2005). A high-sensitivity CMOS image sensor with gain-adaptative column amplifiers. *IEEE Journal of Solid-State Circuits*, 40(5), 1147–1156.
- Nixon, R. H., Kemeny, S. E., Staller, C. O., & Fossum, E. R. (1995). 128 \times 128 CMOS photodiode-type active pixel sensor with on-chip timing, control, and signal chain electronics. In M. M. Blouke (ed.), *Proceedings of the SPIE charge-coupled devices and solid state optical sensors V*, April (Vol. 2415, pp. 117–123).
- Wuu, S., Chien, H., Yaung, D., Tseng, C., Wang, C., Chang, C., & Hsiao Y. (2001). A high performance active pixel sensor with 0.18 μm CMOS color imager technology. In *Electron devices meeting, 2001. IEDM technical digest. International* (pp. 555–558).
- Decker, S., McGrath, D., Brehmer, K., & Sodini, C. (1998). A 256 \times 256 CMOS imaging array with wide dynamic range pixels and column-parallel digital output. *IEEE Journal of Solid-State Circuits*, 33(12), 2081–2091.
- Yoon, K., Kim, C., Lee, B., & Lee, D. (2002). Single-chip cmos image sensor for mobile applications. *IEEE Journal of Solid-State Circuits*, December.
- Komuro, T., Ishii, I., Ishikawa, M., & Yoshida, A. (2003). A digital vision chip specialized for high-speed target tracking. *IEEE Transactions on Electron Devices*, 50(1), 191–199.
- Cembrano, G., Rodriguez-Vazquez, A., Galan, R., Jimenez-Garrido, F., Espejo, S., & Dominguez-Castro, R. (2004). A 1000 FPS at 128 \times 128 vision processor with 8-bit digitized I/O. *IEEE Journal of Solid-State Circuits*, 39(7), 1044–1055.
- Rodriguez-Vasquez, G., Cembrano, A., Carranza, L., Roca-Moreno, E., Carmona, R., Jimenez-Garrido, F., Dominguez-Castro, R., & Meana, S. (2004). Ace16k: The third generation of mixed-signal SIMD-CNN ACE chips toward VSoCs. *IEEE Transactions on Circuits and Systems I: Regular Papers*, 51(5), 851–863.
- Lindgren, L., Melander, J., Johansson, R., & Miller, B. (2005). A multiresolution 100-GOPS 4-Gpixels/s programmable smart vision sensor for multisense imaging. *IEEE Journal of Solid-State Circuits*, 40(6), 1350–1359.
- Sugiyama, Y., Takumi, M., Toyoda, H., Mukozaka, N., Ihori, A., Kurashina, T., Nakamura, Y., Tonbe, T., & Mizuno, S. (2005). A high-speed CMOS image with profile data acquiring function. *IEEE Journal of Solid-State Circuits*, 40, 2816–2823.
- Dudek, P., & Hicks, P. (2005). A general-purpose processor-per-pixel analog SIMD vision chip. *IEEE Transactions on Circuits and Systems I: Regular Papers*, 52(1), 13–20.
- Miao, W., Lin, Q., Zhang, W., & Wu, N. (2008). A programmable SIMD vision chip for real-time vision applications. *Solid-State Circuits, IEEE Journal of*, 43(6), 1470–1479.
- Krymski, A., Van Blerkom, D., Andersson, A., Bock, N., Mansoorian, B., & Fossum, E. (1999). A high speed, 500 frames/s, 1024 \times 1024 CMOS active pixel sensor. In *VLSI circuits, 1999. Digest of technical papers. 1999 symposium on* (pp. 137–138).
- Stevanovic, N., Hillebrand, M., Hosticka, B., & Teuner A. (2000). A CMOS image sensor for high-speed imaging. In *Solid-state circuits conference, 2000. Digest of technical papers. IS-SCC. 2000 IEEE international* (Vol. 449, pp. 104–105).
- Kleinfelder, S., Lim, S., Liu, X., & El Gamal, A. (2001). A 10000 frames/s CMOS digital pixel sensor. *IEEE Journal of Solid-State Circuits*, 36(12), 2049–2059.
- Handoko, D., Takokoro, K. S. Y., Kumahara, M., & Matsuzawa, A. (2000). A CMOS image sensor for local-plane motion vector estimation. In *Symposium of VLSI circuits*, June (Vol. 3650, pp. 28–29).

27. Lim, S., & El Gamal, A. (2001). Integrating image capture and processing—beyond single chip digital camera. In *Proceedings of the SPIE electronic imaging '2001 conference*, January, San Jose, CA (Vol. 4306).
28. Yang, D., El Gamal, A., Fowler, B., & Tian, H. (1999). A 640×512 CMOS image sensor with ultra wide dynamix range floating-point pixel-level ADC. *IEEE Journal of Solid-State Circuits*, 34, 1821–1834.
29. Yadid-Pecht, O., & Fossum, E. (1999). CMOS APS with auto-scaling and customized wide dynamic range. In *IEEE workshop on charge-coupled devices and advanced image sensors*, June (Vol. 3650, pp. 48–51).
30. Wu, C.-Y., & Chiang, C.-T. (2004). A low-photocurrent CMOS retinal focal-plane sensor with a pseudo-BJT smoothing network and an adaptative current Schmitt trigger for scanner applications. *IEEE Sensors Journal*, 4(4), 510–518.
31. Dubois, J., Ginhac, D., Paindavoine, M., & Heyrman, B. (2008). A 10000 fps cmos sensor with massively parallel image processing. *IEEE Journal of Solid-State Circuits*, 43(3), 706.
32. Wu, C., Shih, Y., Lan, J., Hsieh, C., Huang, C., & Lu, J. (2004). Design, optimization, and performance analysis of new photodiode structures for CMOS active-pixel-sensor (APS) imager applications. *IEEE Sensors Journal*, 4(1), 135–144.
33. Shcherback, I., Belenky, A., & Yadid-Pecht, O. (2002). Empirical dark current modeling for complementary metal oxide semiconductor active pixel sensor. *Optical Engineering*, 41(6), 1216–1219.
34. Shcherback, I., & Yadid-Pecht, O. (2003). Photoresponse analysis and pixel shape optimization for CMOS active pixel sensors. *IEEE Transactions on Electron Devices*, 50(1), 12–18.
35. Chapinal, G., Bota, S., Moreno, M., Palacin, J., & Herms, A. (2002). A 128×128 CMOS image sensor with analog memory for synchronous image capture. *IEEE Sensors Journal*, 2(2), 120–127.
36. Ryan, C. (1970). Applications of a four-quadrant multiplier. *IEEE Journal of Solid-State Circuits*, 5(1), 45–48.
37. Liu, S., & Hwang, Y. (1995). CMOS squarer and four-quadrant multiplier. *IEEE Transactions on Circuits and Systems-I: Fundamental Theory and Applications*, 42(2), 119–122.



Dominique Ginhac received his PhD in electronics and image processing from Clermont-Ferrand University, France, in 1999. He is currently associate professor at the University of Burgundy, France and member of LE2I UMR CNRS 5158 (Laboratory of Electronic, Computing and Imaging Sciences). His main research topics are image acquisition and embedded image processing on CMOS VLSI chips.



mentation, and testing of silicon retinas for multi-processing and high speed image sensor.

Jérôme Dubois is a Normalien of the 2001 promotion. He obtained a compitive examination, in Electrical Engineering, for post on the teaching staff of first cycle universities, in July 2004. He receive Master Degree, in Image Processing, in June 2005. He is currently Mph.D student and Instructorship at Laboratory LE2I and University of Burgundy. His research interests include the design, development imple-



Barthélémy Heyrman received his PhD in electronics and image processing from Burgundy University, France, in 2005. He is currently associate professor at the University of Burgundy, France and member of LE2I UMR CNRS 5158 (Laboratory of Electronic, Computing and Imaging Sciences). His main research topics are system on chip smart camera and embedded image processing chips.



image acquisition and real-time image processing. He is also one of the main managers of ISIS (a research group in signal and image processing of the French National Scientific Research Committee).

Michel Paindavoine received his PhD in electronics and signal processing from Montpellier University, France, in 1982. He was with Fairchild CCD Company for two years as an engineer specializing in CCD sensors. He joined Burgundy University in 1985 as maitre de conférence and is currently full professor at LE2I UMR-CNRS, Laboratory of Electronic, Computing and Imaging Sciences, Burgundy University, France. His main research topics are