



HAL
open science

Automatic polishing process of plastic injection molds on a 5-axis milling center

Xavier Pessoles, Christophe Tournier

► **To cite this version:**

Xavier Pessoles, Christophe Tournier. Automatic polishing process of plastic injection molds on a 5-axis milling center. *Journal of Materials Processing Technology*, 2009, 209 (7), pp.Pages 3665-3673. 10.1016/j.jmatprotec.2008.08.034 . hal-00466655

HAL Id: hal-00466655

<https://hal.science/hal-00466655v1>

Submitted on 25 Mar 2010

HAL is a multi-disciplinary open access archive for the deposit and dissemination of scientific research documents, whether they are published or not. The documents may come from teaching and research institutions in France or abroad, or from public or private research centers.

L'archive ouverte pluridisciplinaire **HAL**, est destinée au dépôt et à la diffusion de documents scientifiques de niveau recherche, publiés ou non, émanant des établissements d'enseignement et de recherche français ou étrangers, des laboratoires publics ou privés.

Automatic polishing process of plastic injection molds on a 5-axis milling center

Journal of Materials Processing Technology

Xavier Pessoles, Christophe Tournier*

LURPA, ENS Cachan, 61 av du pdt Wilson, 94230 Cachan, France

christophe.tournier@lurpa.ens-cachan.fr, Tel : 33 147 402 996, Fax : 33 147 402 211

Abstract

The plastic injection mold manufacturing process includes polishing operations when surface roughness is critical or mirror effect is required to produce transparent parts. This polishing operation is mainly carried out manually by skilled workers of subcontractor companies. In this paper, we propose an automatic polishing technique on a 5-axis milling center in order to use the same means of production from machining to polishing and reduce the costs. We develop special algorithms to compute 5-axis cutter locations on free-form cavities in order to imitate the skills of the workers. These are based on both filling curves and trochoidal curves. The polishing force is ensured by the compliance of the passive tool itself and set-up by calibration between displacement and force based on a force sensor. The compliance of the tool helps to avoid kinematical error effects on the part during 5-axis tool movements. The effectiveness of the method in terms of the surface roughness quality and the simplicity of implementation is shown through experiments on a 5-axis machining center with a rotary and tilt table.

Keywords

Automatic Polishing, 5-axis milling center, mirror effect, surface roughness, Hilbert's curves, trochoidal curves

Geometric parameters

$C_E(X_E, Y_E, Z_E)$	tool extremity point
(u, v)	coordinates in the parametric space

Trochoidal curve parameters

s	curvilinear abscissa
$\mathbf{C}(s)$	parametric equation of the guiding curve
$\mathbf{P}(s)$	parametric equation of the trochoide curve
$\mathbf{n}(s)$	normal vector of the guiding curve
p	step of the trochoid
D_{tr}	diameter of the usefull circle to construct the trochoid
A	amplitude of the trochoid
$Step$	step between two loops of trochoide

Technological parameters

D	tool diameter
D_{eff}	effective diameter of the tool during polishing
E	amplitude of the envelope of the polishing strip
e	displacement induced by the compression of the tool
θ	tilt angle of the tool axis
$\mathbf{u}(i, j, k)$	tool axis
\mathbf{f}	tangent vector of the guide curve
C_c	point onto the trochoidal curve

Machining parameters

N	spindle speed
V_c	cutting speed
V_f	feed speed
f_z	feed per cutting edge
a_p	cutting depth
a_t	working engagement
T	machining time

Surface roughness parameters

<i>Ra</i>	arithmetic average deviation of the surface (2D)
<i>Sa</i>	arithmetical mean height of the surface (3D)
<i>Sq</i>	root-mean-square deviation of the surface
<i>Ssk</i>	skewness of topography height distribution
<i>Sku</i>	kurtosis of topography height distribution

1 Introduction

The development of High Speed Machining (HSM) has dramatically modified the organization of plastic injection molds and tooling manufacturers. HSM in particular has made it possible to reduce mold manufacturing cycle times by replacing spark machining in many cases. In spite of these evolutions, HSM is not able to remove the polishing operations from the process. In this paper, we deal with the realization of surfaces with high quality of surface finishing and mirror effect behavior. This means that the part must be perfectly smooth and reflective, without stripes. Such a quality is for example necessary on injection plastic mold cavities in order to obtain perfectly smooth or completely transparent plastic parts. From an economic point of view, polishing is a long and tiresome process requiring much experience. As this process is expensive in terms of price and downtime of the mold, automatic polishing has been developed. Our objective is to use the same means of production from machining to polishing, leading to cost reduction. The aim of the paper is thus to propose a method of automatic polishing on a 5-axis machine tool.

Literature provides various automated polishing experiments. Usually, the polishing is carried out by an anthropomorphic robot, [1]. Anthropomorphic robots are used for two main reasons. First, their number of axes enables them to have an easy access to any area of complex form. Second, it is possible to attach a great variety of tools and particularly spindles equipped with polishing force control mechanisms. Automatic polishing studies have been also carried out on 3 or 5-axis NC milling machine with specially designed tool to manage polishing force [2] as well as on parallel robots [3].

Indeed, the polishing force is a key parameter of the process. The abrasion rate increases when the polishing pressure increases [4]. But as mentioned in [3] the contact pressure depends on the polishing force and also on the geometrical variations of the part. An adequate polishing force facilitates the removal of cusps and stripes left on the part during milling or previous polishing operations. Nevertheless, the contact stress has to be as constant as possible to avoid over-polishing and respect form deviation tolerances. Many authors have thus chosen to develop abrasive systems allowing a dynamic management of the polishing force. In [5], Nagata et al. use an impedance model following force control to adjust the contact force between the part and the sanding tool. In [6], Ryuh et al. have developed a passive tool, using a pneumatic cylinder to provide compliance and

constant contact pressure between the surface and the part. A passive mechanism is also used in [7]. The contact force is given by the compressive force of a spring coil.

In order to carry out an automatic polishing, it is important to use adapted tool trajectories. According to [8], polishing paths should be multidirectional rather than monotonic, in order to cover uniformly the mold surface and to produce fewer undulation errors. Moreover, the multidirectional polishing path is close to what is made manually. If we observe manual polishers, we can notice that they go back on surface areas according to various patterns such as trochoidal polishing paths (or cycloidal weaving paths [8] (fig 1). Therefore, it could be profitable to follow such a process in order to obtain the required part quality. For instance, some papers use fractal trajectories like the Peano Curve fractal [9], which is an example of a space-filling curve, rather than sweepings along parallel planes [10].

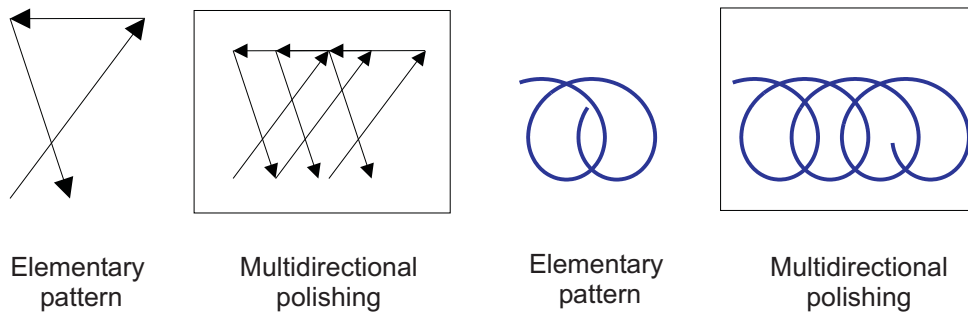


FIGURE 1 – Manual polishing patterns

This brief review of the literature shows that there is no major difficulty in using a 5-axis machine for automatic polishing with a passive tool. This paper aims at showing the feasibility of automatic polishing using 5-axis machine tools and proposing some polishing strategies. In the first section, we expose how automatic polishing is possible using a 5-axis HSM center. In particular, we present the characteristics of the passive and flexible tools used. A specific attention is paid to the correlation between the imposed displacement of the tool and the resulting polishing force. Once the feasibility of 5-axis automatic polishing is proved, the various dedicated polishing strategies we have developed are detailed in section 2. These strategies are for the most part issued from previous experiences as for fractal tool trajectories coming from robotized polishing or cycloidal weaving paths

representative of manual polishing. In section 3, the efficiency of our approach is tested using various test part surfaces. All the parts are milled then polished on the same production means : a 5-axis Mikron UCP710 milling centre. In the literature, the effectiveness of polishing is evaluated using the arithmetic roughness Ra [2]. However, as it is a 2D parameter, this criterion is not really suited to reflect correctly the 3D polished surface quality. We thus suggest qualifying the finish quality of the polished surface through 3D parameters. This point is discussed in the last section as well as the comparison of the surface roughness obtained using automatic polishing with that obtained using manual polishing, a point hardly addressed in the literature. 3D surface roughness measurements are performed using non-contact measuring systems.

2 Experimental Procedure

2.1 Characteristics of the tools

As said previously, our purpose is to develop a very simple and profitable system. Therefore, the tools used are the same than those used in manual polishing. The polishing plan is divided into two steps, pre-polishing and finishing polishing. Pre-polishing is performed with abrasive discs mounted on a suitable support. The abrasive particle size is determined by the Federation of European Producers of Abrasives standard (FEPA). This support is a deformable part made in an elastomer material fixed on a steel shaft that allows mounting in the spindle. We thus deal with a passive tool. Hence, we do not have a force feedback control but a position one. We have studied the relationship between the deflection of the disc support and the polishing force applied to the part. To establish this relationship, we use a Quartz force sensor Kistler 9011A mounted on a specially designed part-holder. The sensor is connected to a charger meter Kistler 5015 itself connected to the computer through a data-collection device Vernier LabPro to save the data. The experimental system is depicted in figure 2. In addition, the used sensor is a dynamic sensor. The effort must therefore change over time otherwise there would be a drift of the measure. To do so, the movement imposed on the tool over time is a triangular signal.

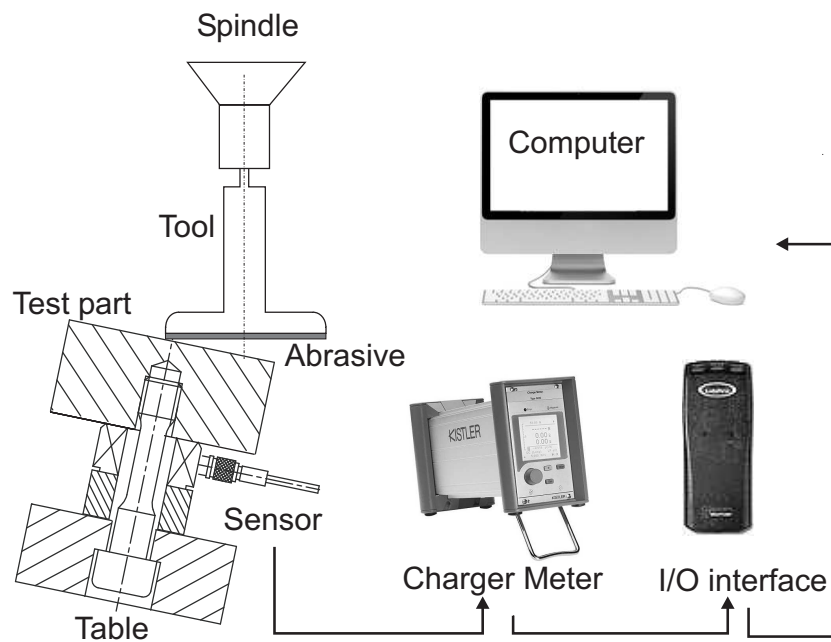


FIGURE 2 – Experimental set-up

In order to ensure the evacuation of micro chips during the polishing and guarantee a nonzero abrasion speed at the contact between the part and the tool, the tool axis \mathbf{u} is tilted relative to the normal vector to the polished surface \mathbf{n} and to the feed direction \mathbf{f} . The tilt angle θ (figure 3) is defined as follows :

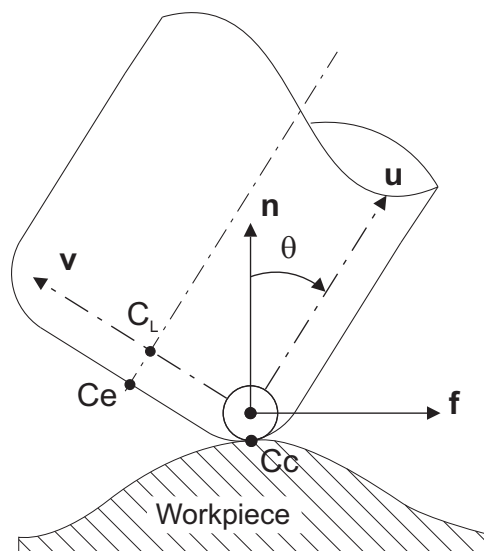


FIGURE 3 – Tool axis tilting

$$\mathbf{u} = \cos \theta \cdot \mathbf{n} + \sin \theta \cdot \mathbf{f} \quad (1)$$

Polishing tests have been conducted considering three different tilt angles (5, 10, 15) between the tool axis and the normal vector to the surface in the feed direction. The correlation between the tool deflection and the polishing force is shown in figure 4.

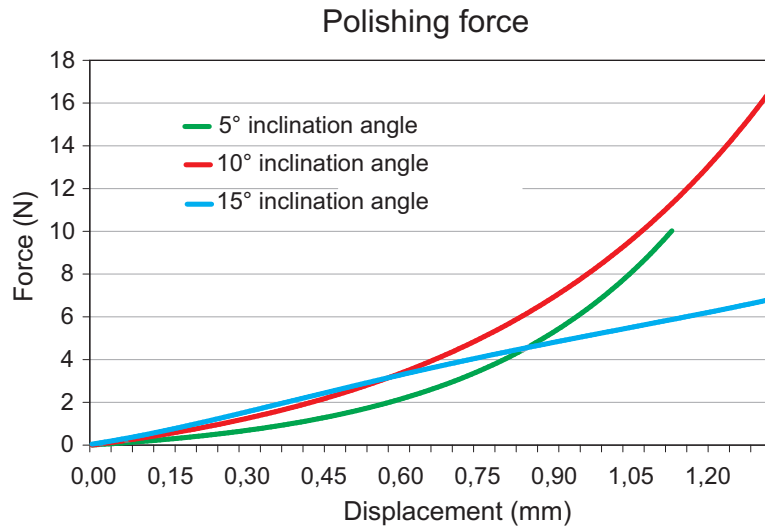


FIGURE 4 – Polishing forces vs displacement

The green curve (5 deg) is interrupted because the abrasive disks unstick when the tool deflection is too large. In this configuration, the tilt angle is too low and the body of the disk support, which is more rigid, comes in contact with the workpiece, which deteriorates and unsticks the disk. With a 10 or 15 degrees tilt angle, this phenomenon appears for a higher value of tool deflection, outside the graph. However, low tilt angle configurations allow faster tool movements since the rotation axes of the 5-axis machine tool are less prompted [11]. Furthermore, it has been showed that trochoidal tool paths require a dynamic machine tool to respect the programmed feedrate [12]. Then in simultaneous 5-axis configurations, polishing time will be greater with low tilt angles. In addition, the flexibility of the tool will help to reduce or avoid 5-axis kinematic errors [13]. Indeed, interferences between the tool and the part could happen because of great tool axis

orientation evolutions between two successive tool positions. Therefore, the disc support deflection would avoid the alteration of the mold surface.

If one considers the law of Preston [14], the material removal rate h in polishing is proportional to the average pressure of contact, P , and to the tool velocity relative to the workpiece, V :

$$h = K_P PV \quad (2)$$

where K_P is a constant ($\frac{m^2 \cdot s}{N}$) including all other parameters (part material, abrasive, lubrication, etc.). Hence, in order to reach an adequate contact pressure, we must increase the tool deflection and consequently we raise the shear stress and the disk unsticks. From a kinematical behavior point of view, low rotational axes movements lead to decrease the polishing time. So we must use a rather low tilt angle (5-10 degrees) and a quite high tool deflection to ensure a satisfactory rate of material removal.

2.2 5-axis polishing tool path planning

To generate the polishing tool path, the classical description of the tool path in 5-axis milling with a flat end cutter is used. This leads to define the trajectory of the tool extremity point C_E as well as the orientation of the tool axis \mathbf{u} (i, j, k) along the tool path. With regards to polishing strategy, we use trochoidal tool paths in order to imitate the movements imparted by the workers to the spindle. To avoid marks or specific patterns on the part, we choose to generate trochoidal tool path on fractal curves in order to cover the surface in a multidirectionnal manner. We use more particularly Hilbert's curves which are a special case of the Peano's curve. These curves are used in machining as they have the advantage of covering the entire surface on which they have been generated [15]. We will develop below the description of the Hilbert's curve which is used as a guide curve for the trochoidal curve then we will examine the trochoidal curve itself.

2.2.1 Hilbert's curve definition

The use of fractal trajectories presents two major interests. The first one is that tool paths do not follow specific directions which guarantees an uniform polishing. The second one is linked to the tool path programming. Indeed, tool paths are computed in the

parametric space u, v of the surface, that is restricted to the $[0, 1]^2$ interval. Hilbert's curves are known as filling curves, covering the full unit square in the parametric space [16], and consequently, the Hilbert's curves fill the 3D surface to be polished. Hilbert's curves can be defined with a recursive algorithm, the n -order curve is defined as follows :

– If $n = 0$:

$$\begin{cases} x_0 = 0 \\ y_0 = 0 \end{cases} \quad (3)$$

– Else :

$$\begin{cases} x_n = 0.5[-0.5 + y_{n-1} & -0.5 + x_{n-1} & 0.5 + x_{n-1} & 0.5 - y_{n-1}] \\ y_n = 0.5[-0.5 + x_{n-1} & 0.5 + y_{n-1} & 0.5 + y_{n-1} & -0.5 - x_{n-1}] \end{cases} \quad (4)$$

It is then easy to compute first, second or third-order and so Hilbert's curves (fig 5).

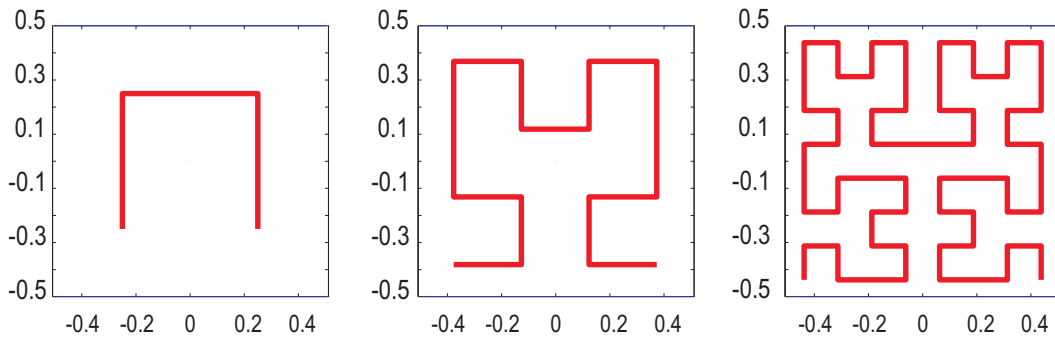


FIGURE 5 – Hilbert's curves (first, second and third order curve)

In order to maintain a tangency continuity along the Hilbert's curve which is the guide curve of the trochoidal tool path, we have decided to introduce fillets on the corners of the polishing fractals. Otherwise, at each direction change on the fractal curve, the polishing tool path would be discontinuous. Resulting Hilbert's curve is depicted in figure 6. Based on this representation, the curve is easy to manipulate. For example, one could project this parametric representation directly in the 3D space or use it as the guide curve for building trochoidal curves (fig 7) as can be seen in the next section.

2.2.2 Mathematical definition of trochoidal curves

Based on the description of trochoidal curves proposed in [17], we define a trochoidal curve as follows. Let $C(s)$ be a 2D parametric curve, where s is the curvilinear length (fig 8).

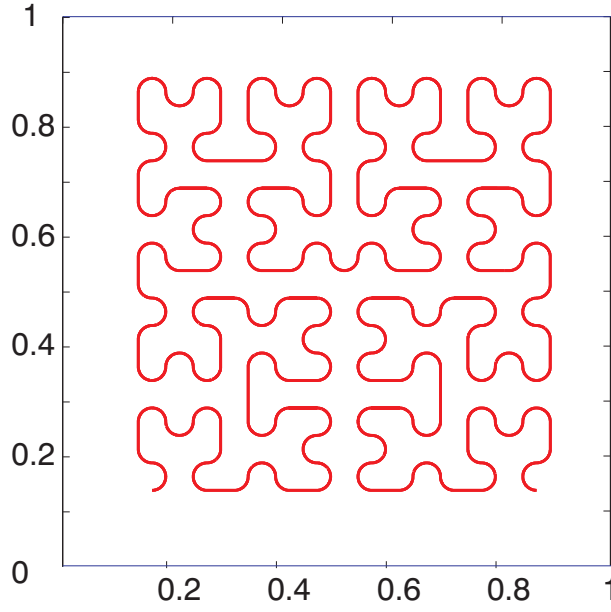


FIGURE 6 – Fourth order cornered Hilbert's curve

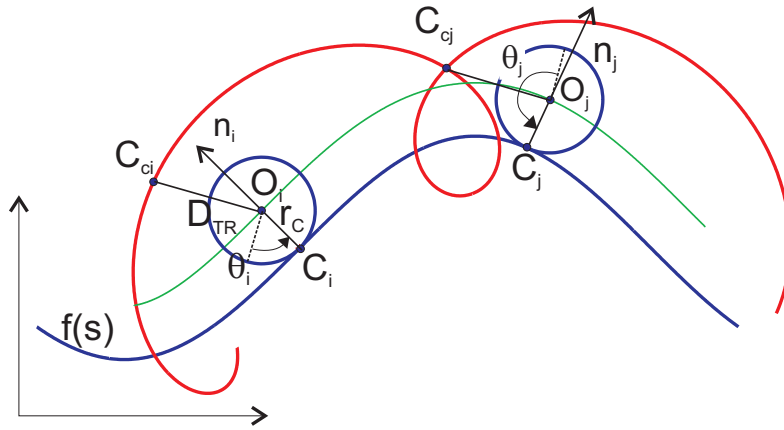


FIGURE 7 – Polishing trajectories on a convex free form

$\mathbf{C}(s) = (s, f(s))$ is the guide curve of the trochoidal curve and $\mathbf{n}(s)$ the normal vector to the curve $C(s)$ at the considered point. p is the step of the trochoidal curve and we denote D_{tr} its diameter. The parametric equation of the trochoidal curve is the following :

$$\mathbf{P}(s) = \mathbf{C}(s) + \frac{p}{2\pi}\mathbf{n}(s) + D_{tr} \begin{pmatrix} \cos(\frac{2\pi s}{p}) & \sin(\frac{2\pi s}{p}) \\ -\sin(\frac{2\pi s}{p}) & \cos(\frac{2\pi s}{p}) \end{pmatrix} \mathbf{n}(s) \quad (5)$$

The issue is now to link the trochoidal curve parameters to the polishing parameters. The amplitude A of the trochoidal curve is equal to twice its diameter $A = 2 \cdot D_{tr}$. However,

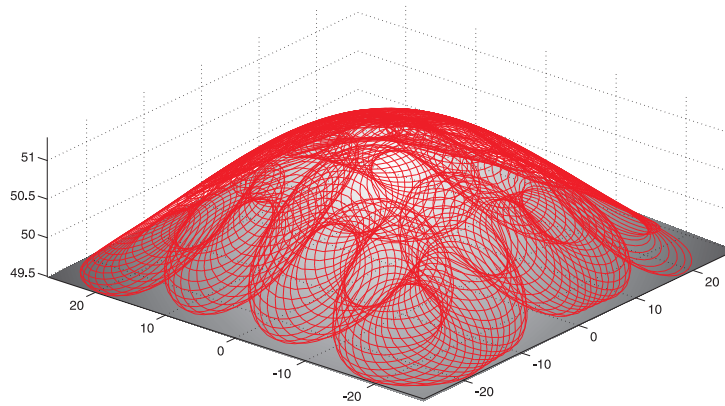


FIGURE 8 – Trochoidal curve parameters

from a tool path generation point of view, we are more interested in the tool envelope amplitude than in the trochoidal curve amplitude. One of the difficulties of modelling the envelope surface of the tool movement is the tool itself, as abrasive polishing tools are mounted on flexible supports. The tool polishing amplitude depends on the contact surface between the tool and the part. This contact is influenced by the tilt angle θ , the tool diameter D and the imposed tool displacement e to be able to polish the surface. Indeed, when the tool is laid flat, the contact area is a disk, as can be seen in figure 9. However, when the tool is tilted and a given displacement e is imposed to the tool, the contact area is a disc portion.

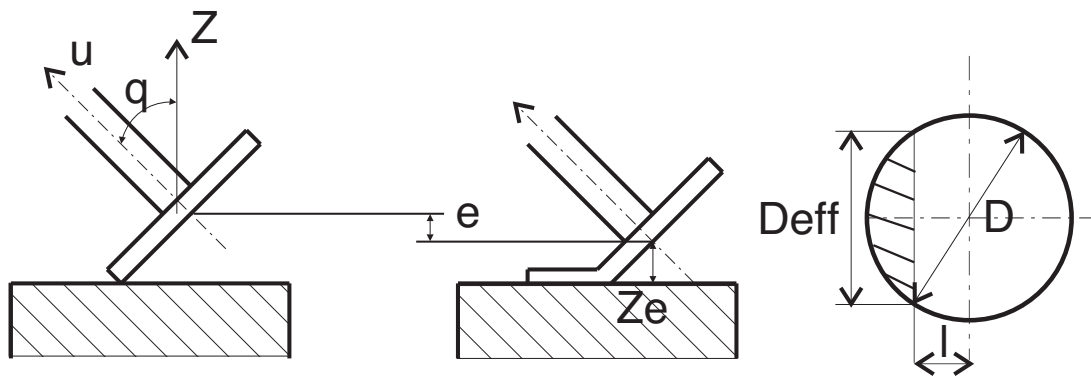


FIGURE 9 – Contact area between the tool and the part

The effective tool diameter can be computed with the following expressions :

$$D_{eff} = 2\sqrt{\left(\frac{D}{2}\right)^2 - (l)^2} \quad (6)$$

with :

$$l = \frac{\frac{D}{2} \sin \theta - e}{\tan \theta} \quad (7)$$

and :

$$E = A + 2\frac{D_{eff}}{2} = 2D_{tr} + D_{eff} \quad (8)$$

This yields to the definition of the parameter D_{tr} adjusted to build the trochoidal curve.

$$D_{tr} = \frac{E - D_{eff}}{2} = \frac{D_{eff}}{6} = \frac{1}{3}\sqrt{\left(\frac{D}{2}\right)^2 - \left(\frac{\frac{D}{2} \tan \theta - e}{\tan \theta}\right)^2} \quad (9)$$

2.2.3 Tool path generation

Whatever the nature of the considered surface, the polishing tool paths generation consists of three steps : computation of the tool path in the parametric space, computation of the resulting tool path in the 3D space and computation of the tool axis orientation. Tool path generation relies on the trochoidal curve as described above. The trajectory is defined discretely. The only difficulty is to calculate the normal vector. This is done by using the points C_{i-1} and C_{i+1} and by calculating the next cross product :

$$\mathbf{n}_i = \mathbf{Z} \wedge \overrightarrow{C_{i-1}C_{i+1}} \quad (10)$$

We now describe the method for calculating the direction of the tool axis \mathbf{u} (figure 3). In a first approach we only use the tilt angle defined in the plane $(\mathbf{f}; \mathbf{n})$ where \mathbf{f} is the tangent vector to the guide curve, i.e., the Hilbert's curve and \mathbf{n} the normal vector to the machined surface. The tool axis \mathbf{u} is tilted in relation to the Hilbert's curve tangent \mathbf{f} rather than to the trochoidal curve in order to minimize the movements' amplitude of the rotational axes of the machine tool.

In order to compute the tangent vector \mathbf{f}_i at the contact point C_{Ci} between the tool and the part, the following expression is used :

$$\mathbf{f}_i = \mathbf{n} \wedge \underbrace{\left(\frac{\overrightarrow{C_{Ci}C_{C(i+1)}} \wedge \mathbf{n}}{\|\overrightarrow{C_{Ci}C_{C(i+1)}}\|} \right)} \quad (11)$$

The location of the tool extremity C_E , which is the driven point during machining, depends on the polishing mode, i.e., by pulling or pushing the tool. The polishing mode is defined by the parameter δ :

$$\overrightarrow{OC_E} = \overrightarrow{OC_C} + r \cdot \mathbf{n} + \delta (R - r) \cdot \mathbf{v} - r \cdot \mathbf{u} - e \cdot \mathbf{z} \quad (12)$$

with :

$$\mathbf{v} = \frac{\mathbf{u} \wedge \mathbf{n}}{\|\mathbf{u} \wedge \mathbf{n}\|} \wedge \mathbf{u} \quad (13)$$

by noting $\delta = 1$ when $\theta > 0$ and $\delta = -1$ when $\theta < 0$.

2.3 Experiments

Within the context of plastic mold injection, we study more particularly the injection molds of electrical devices such as power sockets and switches (figure 10). We thus deal with small slender surfaces. In order to test our approach, we use two single patch test surfaces, a plane surface and a convex surface, whose curvature is a little bit larger than the mold curvature. These are machined in $50 \times 50 \text{mm}$ section bloks made of X38CrMoV5 steel. The Rockwell hardness of the part is 53 HRC after heat treatment.

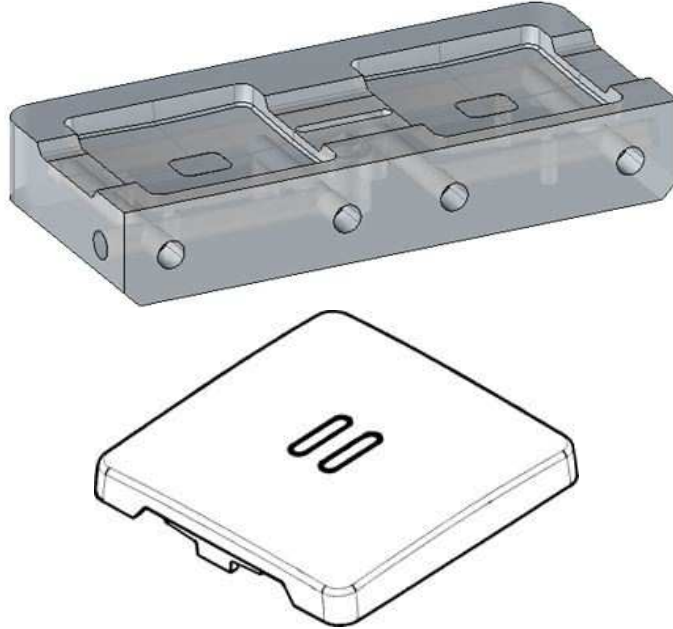


FIGURE 10 – Industrial part and mold

The part is machined on a 5-axis Mikron UCP710 machine tool to reach a milling finishing state before polishing. We use four different grades of abrasive for pre-polishing (FEPA 120, 240, 600, 1200). Abrasives are 18mm diameter disks stucked on the flexible support.

For 120, 240 and 600 grades, the abrasive is made of aluminium oxide (Al_2O_3) within a polymeric material and of silicon carbide on paper for 1200 grade. For the final polishing, we use three synthetic diamond pastes of grade $9\mu m$, $3\mu m$ and $1\mu m$. Concerning the tool path, trochoidal trajectories based on Hilbert's curves for final polishing and based on straight lines for pre-polishing are used. The milling and polishing sequence is summarized in table 1.

In order to reach high feedrates during polishing, the optimization features of the Siemens Sinumerik 840D controller have been activated. In particular, the real-time inverse kinematical transformation (TRAORI) as well as real-time polynomial interpolation (COMPCURV) to produce smoother axes movements.

3 Results and discussion

Industrially, the resulting quality of the polished surfaces is first validated by the polisher himself by visual inspection. Surface roughness measurements with contact devices is strictly forbidden to avoid surface damages. However, new non-contact measuring technologies allow the scanning of the 3D topography of the part and data processing according to the international standard for 3D surface roughness. The International standard [18] aims at characterizing 3D surface roughness through numerous parameters. Among them, it is important to identify those which are the most appropriate to qualify a mirror effect behavior. To our knowledge, there are no 3D parameter set features of a mirror effect surface. Industrial practices indicate only a Ra around $20nm$.

A study by Suh et al. [19] on the surface texture parameters shows that Sa and Sq parameters are not adequate to identify scratches on surfaces. They advise to use the parameter Ssk . Hilerio et al. [20] also give an interpretation of the standard criteria Ssk and Sku in the context of the control of a polished prosthetic knee.

Ssk represents the symmetry of the profile :

- $Ssk = 0$: profile is symmetrical to the median line,
- $Ssk > 0$: profile has more peaks than valleys,
- $Ssk < 0$: profile has more valleys than peaks.

Sku represents the distribution averaging :

- $Sku > 3$: the distribution is wide (the surface is rather plane),
- $Sku < 3$: the distribution is tightened (the surface has a tendency to present peaks or valleys).

Once the parts are polished, we perform 3D surface roughness measurements using a non-contact measuring system (Talysurf CCI 6000). We perform measurements on polished parts with our approach (the plane and the convex surface) and on a plane that has been polished manually by a professional (figure 11). Measurement results are reported in table 2.

It can be observed that the convex surface automatically polished presents larger geometric deviations as well as a higher Sa and Sq than those observed for the planar surface. In other words, the rate of material removal is not as good as on the planar surface while

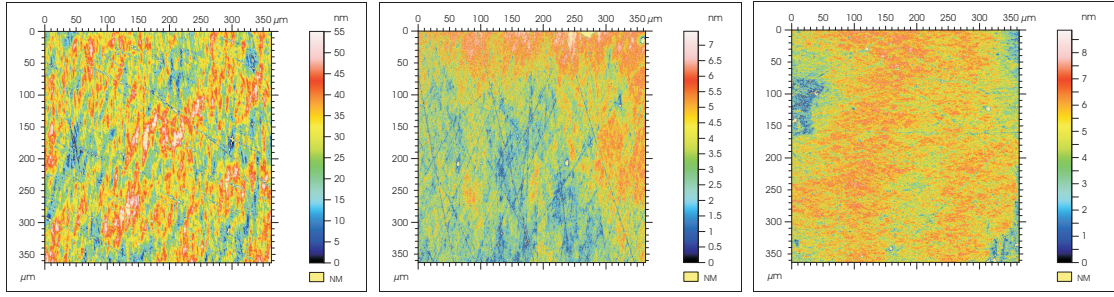


FIGURE 11 – 3D surface roughness : convex surface (top), planar automatic (middle), planar manual (bottom)

Operations Tool	N <i>rpm</i>	Vc <i>m/min</i>	Vf <i>mm/min</i>	fz <i>mm/tooth</i>	ap <i>mm</i>	at <i>mm</i>	T <i>min</i>
parallel planes End mill (ϕ 3)	9438	89	8000	0,057	0,2	0,03	35
Operations – Tools	A <i>mm</i>	Step <i>mm</i>	Vf <i>mm/min</i>	N <i>rpm</i>	θ <i>deg</i>	e <i>mm</i>	T <i>min</i>
P grade 120 (ϕ 18)	12	1	1000	2000	3	0,4	15
P grade 240 (ϕ 18)	12	1	1000	2000	3	0,4	15
P grade 600 (ϕ 18)	12	1	1000	2000	3	0,4	15
P grade 1200 (ϕ 18)	12	1	1000	2000	3	0,4	15
Diamond abrasive emulsion ($9\mu m$) (ϕ 6)	12	1	1000	2000	3	0,3	15
Diamond abrasive emulsion ($3\mu m$) (ϕ 6)	12	1	1000	2000	3	0,3	15
Diamond abrasive emulsion ($1\mu m$) (ϕ 6)	12	1	1000	2000	3	0,3	15

TABLE 1 – Milling and polishing operations

Surface	Sa	Sq	Ssk	Sku
Convex Autom.	7.619 nm	9.543 nm	-0.2314	2.92
Plane Autom.	1.085 nm	1.346 nm	0.103	2.713
Plane Manual	1.014 nm	1.307 nm	-0.5941	3.748

TABLE 2 – 3D Roughness parameters

trajectories are the same in the (u, v) parametric space. There are several explanations for this behavior. First, the used polishing pattern, generated in the parametric space, is the same than the planar surface whereas the surface area of the convex part is greater. The result is a lower coverage rate. This can also be explained by the machine kinematical behavior during polishing for each part. The planar surface is polished with a 3 axes kinematic while the convex surface requires simultaneous interpolation of the 5 axes of the machine tool. During machining, the relative feedrate between the tool and the part does not match the programmed one due to the slow rotary axes of the 5-axis machining (A : 15rpm ; C : 20rpm) [11]. This leads to a slower and less smooth trajectory, reducing the polishing efficiency.

Sa and Sq are larger for the convex surface but the polished part provides a mirror effect behavior anyway. This confirms the remarks mentioned in [19] and [20] as well as the "mean effect" of these parameters. Mirror effect behavior seems to depend on the Ssk and Sku parameters. Indeed, their values for the convex surface are in adequation with those observed for planar surfaces, which also provide mirror effect behavior. Regarding the peaks and valleys, the three examples exhibit the same order of magnitude for the parameter Sku with a small advantage for manual polishing. The numerical values correspond fairly well with the observations. Finally, we can suppose that the polishing process should be optimized regarding the Ssk and Sku parameters prior to the Sa and Sq parameters.

4 Conclusion

In this article, we propose a solution to produce mirror effect polished surfaces on a 5-axis machine tool normally dedicated to molds' milling. The passive tool used is simple to implement. A preliminary calibration allows us to correlate the polishing force and the tool deviation. We have also developed polishing tool paths similar to the patterns used in manual polishing in order to avoid marks on the polished part. The polishing quality is comparable to the manual method and polishing time is similar. However, in order to maintain a constant coverage rate, we should take into consideration the effective area of the part to be polished when generating the tool paths in the (u, v) plane. From roughness point of view, the polishing process must reduce the amplitude of the peaks

and valleys which is characterized by a Sk_u parameter superior to 3. For complex shapes, kinematic performances of the machine tool are very important in order to guarantee a tool feedrate as high as possible and smooth, thus leading to a good rate of material removal. In particular, rotary axes have to be very performing to respect the programmed feedrate. We seek now to develop polishing strategies that allow the polishing of small radius blending surfaces on the injection moulds.

Appendix : 3D surface roughness parameters

Sa : Arithmetical mean height of the surface.

$$Sa = \frac{1}{A} \iint Z(x, y) dx dy \quad (14)$$

Sq : Root-mean-square deviation of the surface. This is a dispersion parameter defined as the root mean square value of the surface departures within the sampling area.

$$Sq = \sqrt{\frac{1}{A} \iint Z^2(x, y) dx dy} \quad (15)$$

Ssk : Skewness of topography height distribution. This is the measure of asymmetry of surface deviations about the mean plane.

$$Ssk = \frac{1}{(Sq)^3} \left[\frac{1}{A} \iint Z^3(x, y) dx dy \right] \quad (16)$$

Sku : Kurtosis of topography height distribution. This is a measure of the peakedness or sharpness of the surface height distribution.

$$Sku = \frac{1}{(Sq)^4} \left[\frac{1}{A} \iint Z^4(x, y) dx dy \right] \quad (17)$$

Références

- [1] X. Wu and Y. Kita and K. Ikoku, New polishing technology of free form surface by GC, *Journal of Materials Processing Technology*, 187-188, 81-84 (2007).
- [2] J.P. Huissoon and F. Ismail and A. Jafari and S. Bedi, Automated Polishing of Die Steel Surfaces, *International Journal of Advanced Manufacturing Technology*, 19(4), 285-290 (2002).
- [3] A. Roswell and F. Xi and G. Liu, Modelling and analysis of contact stress for automated polishing, *International Journal of Machine Tools and Manufacture*, 46(3-4), 424-435 (2006).
- [4] S-C. Lin and M-L. Wu, A study of the effects of polishing on material removal rate and non-uniformity, *International Journals of Machine Tools and Manufacture*, 42, 99-103 (2002).
- [5] F. Nagata and Y. Kusumoto and Y. Fujimoto and K. Watanabe, Robotic sanding system for new designed furniture with free-formed surface, *Robotics and Computer-Integrated Manufacturing*, 23(4), 371-379 (2007).
- [6] B-S. Ryuh and S.M. Park and G. R. Pennock, An automatic tool changer and integrated software for a robotic die polishing station, *Mechanism and Machine Theory*, 41, 415-432 (2006).
- [7] Y. Mizugaki and M. Sakamoto, Development of a Metal-Mold Polishing Robot System with Contact Pressure Control, *Annals of the CIRP*, 39(1), 523-526 (1990).
- [8] M. J. Tsai and J. F. Huang, Efficient automatic polishing process with a new compliant abrasive tool, *International Journal of Advanced Manufacturing Technology*, 30, 817-827 (2006).
- [9] Y. Mizugaki and M. Sakamoto, Fractal Path Generation for a Metal-Mold Polishing Robot System and Its Evaluation by the Operability, *Annals of the CIRP*, 41(1), 531-534 (1992).
- [10] H-Y. Tam and O.C Hang Lui and A.C.K. Mok, Robotic polishing of free-form surfaces using scanning paths, *Journal of Materials Processing Technology*, 95, 191-200 (1999).
- [11] S. Lavernhe and C. Tournier and C. Lartigue, Kinematical performance prediction in multi-axis machining for process planning optimization, *International Journal of Advanced Manufacturing Technology*, 37, 534-544 (2008).

- [12] M. Rauch and JY. Hascoet, Rough pocket milling with trochoidal and plunging strategies, *International Journal of Machining and Machinability of Materials*, 2, 161-175 (2007).
- [13] M. Munlin and S.S. Makhanov and E.L.J. Bohez, Optimization of a 5-axis milling machine near stationary points, *Computer-Aided Design*, 36, 1117-1128 (2004).
- [14] F. Preston, The theory and design of plate glass polishing machine, *Journal of the Society of Glass Technology*, 11, 214-256 (1927).
- [15] J.G Griffiths, Toolpath based on Hilbert's curve, *Computer-Aided Design*, 26, 839-844 (1994).
- [16] H. Sagan, *Space-Filling Curves*, Springer-Verlag, New York, 1994.
- [17] Yates, 1952 R. Yates, *A Handbook on Curves and Their Properties*, Edwards Brothers, Inc., Ann Arbor (1952).
- [18] ISO/DIS 25178-2, Geometrical product specifications (GPS) – Surface texture : Areal – Part 2 : Terms, definitions and surface texture parameters, 2008.
- [19] A. Y. Suh and A. A. Polycarpou and T. F. Conry, Detailed surface roughness characterization of engineering surfaces undergoing tribological testing leading to scuffing, *Wear*, 255, 556-568 (2003).
- [20] I. Hilerio and T. Mathia and C. Alepee, 3D measurements of the knee prosthesis surfaces applied in optimizing of manufacturing progress, *Wear*, 257, 1230-1234 (2004).