



**HAL**  
open science

## Pantopteron-4: a New 3T1R Decoupled Parallel Manipulator for Pick-and-Place Applications

Sébastien Briot, Ilian Bonev

► **To cite this version:**

Sébastien Briot, Ilian Bonev. Pantopteron-4: a New 3T1R Decoupled Parallel Manipulator for Pick-and-Place Applications. *Mechanism and Machine Theory*, 2010, 45 (5), pp.707-721. hal-00459831

**HAL Id: hal-00459831**

**<https://hal.science/hal-00459831v1>**

Submitted on 25 Jun 2019

**HAL** is a multi-disciplinary open access archive for the deposit and dissemination of scientific research documents, whether they are published or not. The documents may come from teaching and research institutions in France or abroad, or from public or private research centers.

L'archive ouverte pluridisciplinaire **HAL**, est destinée au dépôt et à la diffusion de documents scientifiques de niveau recherche, publiés ou non, émanant des établissements d'enseignement et de recherche français ou étrangers, des laboratoires publics ou privés.

# **Pantopteron-4: a New 3T1R Decoupled Parallel Manipulator for Pick-and-Place Applications**

Sébastien Briot and Ilian A. Bonev

Department of Automated Manufacturing Engineering  
École de technologie supérieure (ÉTS), Montreal, QC, Canada

sebastien.briot.1@ens.etsmtl.ca

ilian.bonev@etsmtl.ca

**Abstract**— In this paper, a novel 4-DOF decoupled parallel manipulator with Schoenflies motions, called the Pantopteron-4, is presented. This manipulator is able to perform the same movements as the Isoglide4 or the Quadruperon, but, due to its architecture which is made of three pantograph linkages, an amplification of the movements between the actuators and the platform displacements is achieved. Therefore, having the same actuators for both robots, the Pantopteron-4 displaces (theoretically) many-times faster than the Isoglide4 or the Quadruperon, depending on the magnification factor of the pantograph linkages. Thus, this mechanism is foreseen to be used in applications where the velocities and accelerations have to be high, as in pick-and-place. First, the kinematics of the Pantopteron-4 is presented. Then, its workspace is analyzed. Finally, a prototype of the mechanism is shown and conclusions are given.

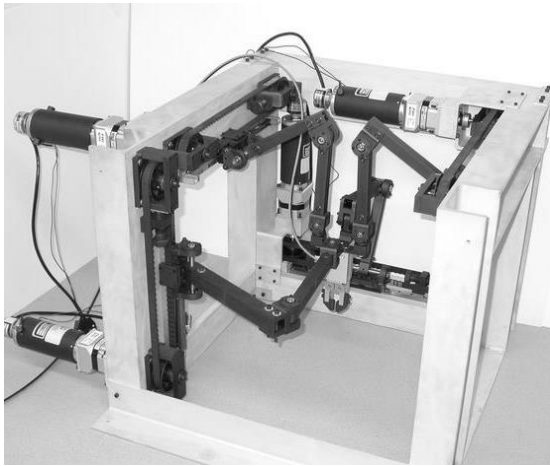
**Index Terms** — parallel manipulator, decoupling, kinematics, Schoenflies motions, singularity, workspace, design.

## I. INTRODUCTION

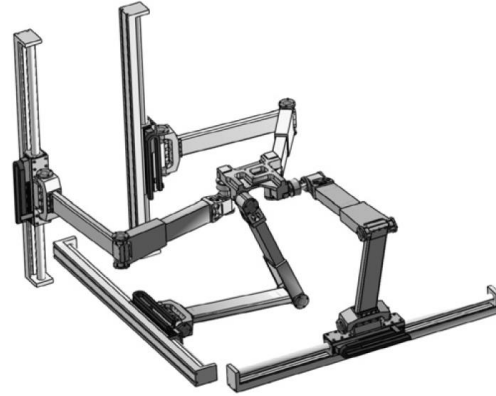
Less than a decade ago, any known parallel robot, whatever its number of degrees of freedom (DOF), was inevitably associated with nonlinear highly-coupled kinematics, singularities, and a complex-shaped workspace. However, in May 2001, this fact was refuted by the discovery of a revolutionary simple 3-DOF translational parallel robot, with *fully-decoupled* input-output equations, disclosed by Gosselin and Kong in a Canadian provisional patent application [1]. Its simplest design is basically a *Cartesian robot* and is therefore *isotropic* (its Jacobian matrix is diagonal and constant). Later in 2002, many researchers proposed separately a large family of decoupled 3-DOF translational parallel mechanisms, all covered by the above-mentioned patent [2]-[6]. These works cleared the way for the creation of various decoupled parallel mechanisms.

The most prolific author on this subject, Gogu, wrote dozens of papers and even a 700-page manuscript [7] proposing isotropic architectures for nearly all combinations of translational and rotational degrees of freedom. Specifically, many efforts have been done in creating decoupled robots with Schoenflies motions [8]-[13] for pick-and-place applications, driven by the commercial success of the Delta [14] and Quattro [15] robots. Examples of decoupled 3T1R (three translational DOFs and one rotational DOF) structures are the Quadrupteron [11] and the Isoglide4 [13], shown in Fig. 1.

The basic Quadrupteron or Isoglide4, which are very similar, consists of four identical legs. Each leg has a base-mounted actuator, allowing translation along a fixed direction, and a planar chain. In these basic robots, linear actuators are employed and the displacements of three of them are directly proportional to the translational displacements of the mobile platform along a given Cartesian axis. The orientation of the end-effector is obtained by a scissors-like motion of the actuators.



(a) the prototype of Quadrupteron (courtesy of C.M. Gosselin)



(b) the Isoglide4 – CAD view (courtesy of G. Gogu)

Fig. 1. Some partially decoupled 3T1R parallel manipulators.

However, as we recently witnessed with the commercialization of the Quattro robot by Adept Technology [15], the only way to compete the hugely successful Delta pick-and-place robot [14] is to offer an even faster design. Hence, it would have been great if we could build a Quadrupteron or an Isoglide4 with an amplification factor. Not only would this robot be isotropic, but it may move several times faster than its linear actuators.

This paper is the first to provide such a solution through the use of pantographs. Of course, the proposed design is more complicated than the simple Quadrupteron or Isoglide4 of Fig. 1, but this seems to be a reasonable price to pay. Moreover, the new robot is only made of three identical legs, in contrast to other 3T1R decoupled parallel robots, which is a great advantage in terms of workspace volume and acceleration capacities. Indeed, the proposed design is the result of a large study on the synthesis of parallel manipulators using pantographs [16], [18]. One such manipulator was already successfully built and proved the viability of using pantographs [19].

The paper is organized as follows. Next, the kinematics of the proposed design, named the Pantopteron-4, is presented. The structure is described, its mobility analyzed, and its singularities

described. Then, its workspace is studied and various design considerations are given. Finally, conclusions are drawn.

## II. KINEMATIC ANALYSIS

### A. Description of the architecture

The architecture of the manipulator is illustrated in Fig. 2. It is composed of three legs which correspond to pantograph linkages (Fig. 3).

The pantograph is a mechanical system with two input points  $A_i$  and  $B_i$  and one output point  $C_i$  (in the remainder of this paper,  $i = 1, 2, 3$ ). These input points linearly control the displacement of the output point  $C_i$ . A kinematic analysis shows that a linear actuator connected with input point  $B_i$  controls the vertical displacement of the output point  $C_i$  and one other linear actuator with an axis parallel to  $\mathbf{a}_{1i}$  controls the displacements along the same axis. Note that these motions are completely decoupled, i.e., they can be carried out independently. The input/output relationships for displacements are linear and are determined by the magnification factor  $k$  of the pantograph ( $k = A_iC_i/A_iB_i$ ). These properties of the pantograph mechanism are used in the Pantopteron-4 manipulator.

For the Pantopteron-4, the actuators which allow the translational displacements are located at the prismatic joints  $1i$  (Fig. 3), and the actuator that controls the orientation of the platform is located at the revolute joint  $10,3$ . The directions of the prismatic joints  $1i$  are orthogonal. All other joints are passive. Each pantograph linkage is attached to the platform at point  $C_i$  via a Cardan joint, the axes of each joint  $12i$  being orthogonal. They are also connected to actuators  $1i$  via a revolute joint, which allows the leg to have five DOFs: three translations and two rotations about the axes of the Cardan joint located at  $C_i$ . The platform of the mechanism is not rigid, but made of two elements connected via a revolute joint. Such an architecture allows the manipulator to have four decoupled DOF. This will be now proved.

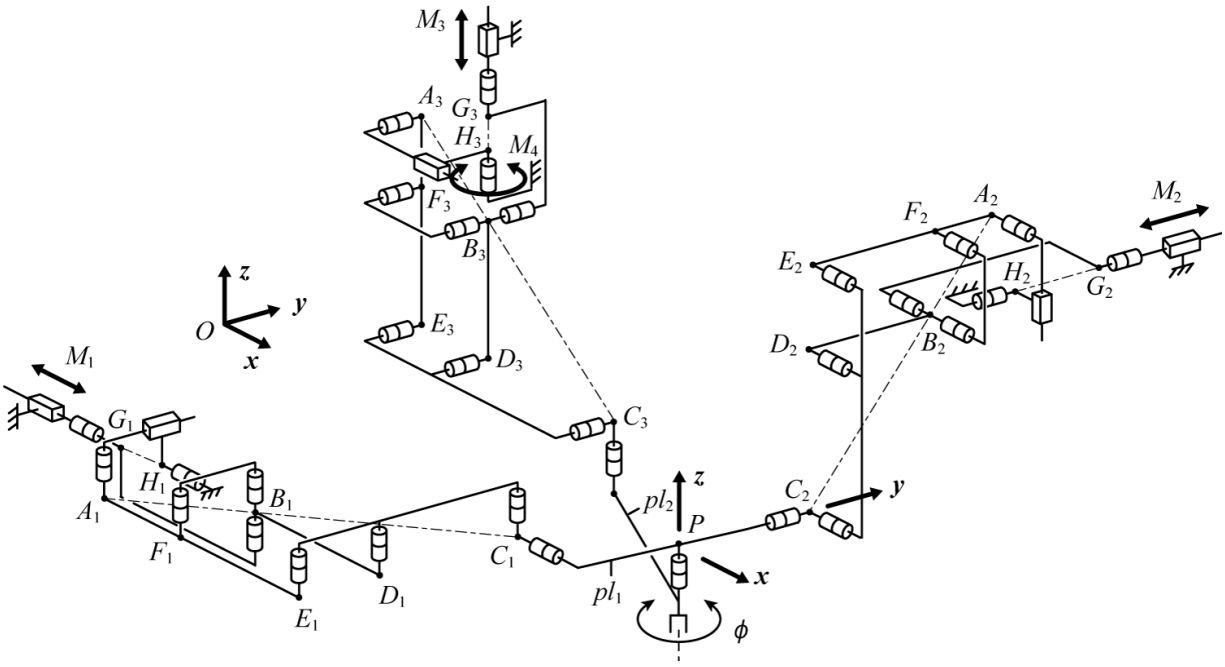


Fig. 2. Schematics of the Pantopteron-4 manipulator.

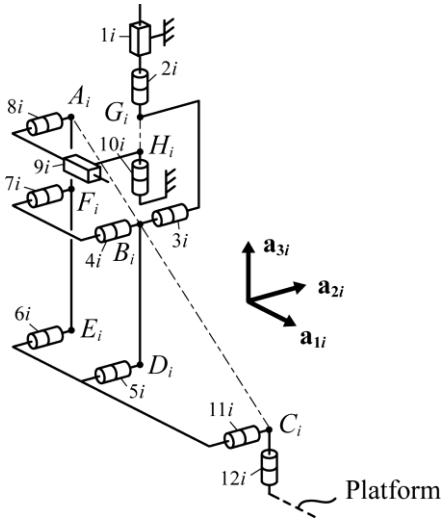


Fig. 3. Schematics of one leg of the Pantopteron-4 ( $i = 1, 2, 3$ ).

### B. Mobility analysis

Let  $x, y, z$  be the axes of the base frame (Fig. 2) and  $\mathbf{a}_{1i}, \mathbf{a}_{2i}$  and  $\mathbf{a}_{3i}$  the local frame attached to leg  $i$  (Fig. 3). As mentioned in the previous paragraph, when all actuators are disconnected, each leg of the mechanism has five passive DOFs, three translations and two rotations (one about the axis of joint 11,1

and another about the axis of joint 12,1). Therefore, each leg applies one wrench on the platform that constrains its displacements. This wrench is the reciprocal screw to the twists of each passive displacement of the platform.

We denote as  $\mathbf{e}_j^{(i)}$  ( $j = 1$  to  $5$ ) the unit screw corresponding to one of the passive displacements of the leg  $j$ . For leg 1, these screws, expressed in the base frame at point  $C_1$ , can be written as [20]:

- for the translations along  $x$ ,  $y$  and  $z$ ,  $\mathbf{e}_1^{(1)} = [0 \ 0 \ 0 \ 1 \ 0 \ 0]^T$ ,  $\mathbf{e}_2^{(1)} = [0 \ 0 \ 0 \ 0 \ 1 \ 0]^T$  and  $\mathbf{e}_3^{(1)} = [0 \ 0 \ 0 \ 0 \ 0 \ 1]^T$ ;

- for the rotations about the axes of joints 12,1 and 11,1,  $\mathbf{e}_4^{(1)} = [\cos \gamma_1 \ \cos \theta_1 \sin \gamma_1 \ \sin \theta_1 \sin \gamma_1 \ 0 \ 0 \ 0]^T$  and  $\mathbf{e}_5^{(1)} = [0 \ -\sin \theta_1 \ \cos \theta_1 \ 0 \ 0 \ 0]^T$ ,

where  $\theta_1$  is the angle between the  $\mathbf{a}_{11}$  axis and the  $y$  axis, and  $\gamma_1$  represents the angle between vector  $\mathbf{a}_{31}$  and the axis of joint 12,1.

The Plücker coordinates of the unit screws can be described in matrix  $\mathbf{E}_1$  as

$$\mathbf{E}_1 = \begin{bmatrix} \mathbf{e}_1^{(1)T} \\ \mathbf{e}_2^{(1)T} \\ \mathbf{e}_3^{(1)T} \\ \mathbf{e}_4^{(1)T} \\ \mathbf{e}_5^{(1)T} \end{bmatrix} = \begin{bmatrix} 0 & 0 & 0 & 1 & 0 & 0 \\ 0 & 0 & 0 & 0 & 1 & 0 \\ 0 & 0 & 0 & 0 & 0 & 1 \\ \cos \gamma_1 & \cos \theta_1 \sin \gamma_1 & \sin \theta_1 \sin \gamma_1 & 0 & 0 & 0 \\ 0 & -\sin \theta_1 & \cos \theta_1 & 0 & 0 & 0 \end{bmatrix} \quad (1)$$

The wrench  $\mathbf{r}_{11}$  transmitted to the platform by the leg 1 is orthogonal to the twists composing the lines of matrix  $\mathbf{E}_1$ :

$$\mathbf{r}_{11} = [r_{11}^x \ r_{11}^y \ r_{11}^z \ 0 \ 0 \ 0]^T \quad (2)$$

with

$$r_{11}^x = -\sin \gamma_1 \quad (3a)$$

$$r_{11}^y = \cos \theta_1 \cos \gamma_1 \quad (3b)$$

$$r_{11}^z = \sin \theta_1 \cos \gamma_1 \quad (3c)$$

Thus,  $\mathbf{r}_{11}$  is a wrench of zero pitch (a pure moment).

Similarly, it is possible to find that the wrenches  $\mathbf{r}_{1i}$  transmitted to the platform by the legs when all actuators are disconnected are all pure moments. Let  $\mathbf{Q}$  be the matrix composed of these wrenches applied on the platform by the legs. The expression of  $\mathbf{Q}$  in the base frame, and expressed at point  $O$ , is:

$$\mathbf{Q} = \begin{bmatrix} \mathbf{r}_{11}^T \\ \mathbf{r}_{12}^T \\ \mathbf{r}_{13}^T \end{bmatrix} = \begin{bmatrix} r_{11}^x & r_{11}^y & r_{11}^z & 0 & 0 & 0 \\ r_{12}^x & r_{12}^y & r_{12}^z & 0 & 0 & 0 \\ r_{13}^x & r_{13}^y & r_{13}^z & 0 & 0 & 0 \end{bmatrix} \quad (4)$$

The expressions of wrenches  $\mathbf{r}_{12}$  and  $\mathbf{r}_{13}$  can be obtained using approaches similar to the previous one. Analyzing the condition of orthogonality on the axes of joints  $12i$ , it could be proven that angles  $\gamma_i$  are constrained to be equal to 0. Therefore, these terms disappear from Eq. (4), which becomes

$$\mathbf{Q} = \begin{bmatrix} 0 & \cos \theta_1 & \sin \theta_1 & 0 & 0 & 0 \\ \sin \theta_2 & 0 & \cos \theta_2 & 0 & 0 & 0 \\ \cos \theta_3 & \sin \theta_3 & 0 & 0 & 0 & 0 \end{bmatrix} \quad (5)$$

Because the platform is not rigid (it is composed of two elements linked by a passive revolute joint whose axis is vertical), matrix  $\mathbf{R}$ , which is composed of the wrenches transmitted through the platform to the element  $pl_2$  (Fig. 2) can be written under the form:

$$\mathbf{R} = \begin{bmatrix} 0 & \cos \theta_1 & 0 & 0 & 0 & 0 \\ \sin \theta_2 & 0 & 0 & 0 & 0 & 0 \\ \cos \theta_3 & \sin \theta_3 & 0 & 0 & 0 & 0 \end{bmatrix} \quad (6)$$

The twists defining the passive displacements of the platform are orthogonal to this matrix of rank equal to 2. In the general case, there are four independent passive displacements, which are the three translations about the  $x$ ,  $y$  and  $z$  axes and one rotation about the  $z$  axis. Thus, the platform is constrained by the legs to have only Schoenflies motions.

Let us now consider that the actuator  $M_1$  located at joint 1,1 is fixed. Due to the decoupling properties of the pantograph linkages, the position of point  $C_1$  along the  $x$  axis is fixed. Thus, the platform has now



two passive translational DOFs, which are orthogonal to the  $\mathbf{x}$  axis, and still one rotational DOF. Therefore, a supplementary constraint is applied on the platform, which restrains its displacement.

Using an approach similar to the previous one, the second wrench applied by the leg on the platform, expressed at point  $C_1$ , is  $\mathbf{r}_{21} = [0 \ 0 \ 0 \ 1 \ 0 \ 0]^T$ .

By a similar analysis, it can be seen that, when the three legs are connected to the platform and the actuators  $M_1, M_2, M_3$  are fixed, six wrenches ( $\mathbf{r}_{11}, \mathbf{r}_{21}, \mathbf{r}_{12}, \mathbf{r}_{22}, \mathbf{r}_{13}, \mathbf{r}_{23}$ ) are applied on the platform.

Finally, let us now consider that actuator  $M_4$  located at joint 10,3 is fixed. Due to the decoupling properties of the pantograph linkages, the position of point  $C_3$  along the  $\mathbf{a}_{23}$  axis is fixed. Therefore, a supplementary constraint is applied on the platform, which restrains its displacement. This supplementary wrench applied by leg 3 on the platform, expressed at point  $C_3$ , is  $\mathbf{r}_{33} = [0 \ 0 \ 0 \ -\sin \theta_3 \ \cos \theta_3 \ 0]^T$ .

Let us denote by  $\mathbf{S}$  the matrix composed of seven wrenches applied on the platform by the legs. The expression of  $\mathbf{S}$  in the base frame, and expressed at point  $P$ , is:

$$\mathbf{S} = \begin{bmatrix} \mathbf{r}_{11}^T \\ \mathbf{r}_{21}^T \\ \mathbf{r}_{12}^T \\ \mathbf{r}_{22}^T \\ \mathbf{r}_{13}^T \\ \mathbf{r}_{23}^T \\ \mathbf{r}_{33}^T \end{bmatrix} = \begin{bmatrix} 0 & \cos \theta_1 & \sin \theta_1 & 0 & 0 & 0 \\ 0 & z_{PC1} & -y_{PC1} & 1 & 0 & 0 \\ \sin \theta_2 & 0 & \cos \theta_2 & 0 & 0 & 0 \\ -z_{PC2} & 0 & x_{PC2} & 0 & 1 & 0 \\ \cos \theta_3 & \sin \theta_3 & 0 & 0 & 0 & 0 \\ -x_{PC3} & y_{PC3} & 0 & 0 & 0 & 1 \\ 0 & 0 & s_{63} & -\sin \theta_3 & \cos \theta_3 & 0 \end{bmatrix} \quad (7)$$

with  $x_{PCi} = x - x_{Ci}$ ,  $y_{PCi} = y - y_{Ci}$ ,  $z_{PCi} = z - z_{Ci}$ , ( $x, y$  and  $z$  are the coordinates of point  $P$  of the platform along  $\mathbf{x}, \mathbf{y}$  and  $\mathbf{z}$  axes respectively and  $x_{Ci}, y_{Ci}$  and  $z_{Ci}$  are the coordinates of point  $C_i$  of the platform along  $\mathbf{x}, \mathbf{y}$  and  $\mathbf{z}$  axes) and  $s_{63} = x_{PC3} \cos \theta_3 + y_{PC3} \sin \theta_3$ .

Because the platform is not rigid, matrix  $\mathbf{T}$ , which is composed of the wrenches transmitted through the platform to the element  $pl_2$  can be written under the form:

$$\mathbf{T} = \begin{bmatrix} 0 & \cos \theta_1 & 0 & 0 & 0 & 0 \\ 0 & z_{PC1} & 0 & 1 & 0 & 0 \\ \sin \theta_2 & 0 & 0 & 0 & 0 & 0 \\ -z_{PC2} & 0 & 0 & 0 & 1 & 0 \\ \cos \theta_3 & \sin \theta_3 & 0 & 0 & 0 & 0 \\ -x_{PC3} & y_{PC3} & 0 & 0 & 0 & 1 \\ 0 & 0 & s_{63} & -\sin \theta_3 & \cos \theta_3 & 0 \end{bmatrix} \quad (8)$$

Now, let us analyze the passive displacement of the platform when actuators  $M_1$ ,  $M_2$  or  $M_3$  are disconnected. Without loss of generality, let us consider that actuator  $M_3$  is disconnected. Thus, the manipulator gains one passive DOF. The twist corresponding to this passive DOF is the screw  $\mathbf{t}_1$  which is orthogonal to the six wrenches applied on the element  $pl_2$ ,

$$\mathbf{t}_1 = [\omega_x \quad \omega_y \quad \omega_z \quad v_x \quad v_y \quad v_z]^T \quad (9)$$

where  $\omega_x$ ,  $\omega_y$ , and  $\omega_z$  correspond to the rotational velocities of the platform about  $x$ ,  $y$  and  $z$  axes, and  $v_x$ ,  $v_y$  and  $v_z$  to its translational velocities along  $x$ ,  $y$  and  $z$  axes. If  $\mathbf{t}_1$  is a passive motion, the following relation must hold:

$$\begin{bmatrix} 0 & \cos \theta_1 & 0 & 0 & 0 & 0 \\ 0 & z_{PC1} & 0 & 1 & 0 & 0 \\ \sin \theta_2 & 0 & 0 & 0 & 0 & 0 \\ -z_{PC2} & 0 & 0 & 0 & 1 & 0 \\ \cos \theta_3 & \sin \theta_3 & 0 & 0 & 0 & 0 \\ 0 & 0 & s_{63} & -\sin \theta_3 & \cos \theta_3 & 0 \end{bmatrix} \mathbf{t}_1 = \mathbf{0} \quad (10)$$

From Eq. (10), it is quite trivial to find the expression of  $\mathbf{t}_1$ :

$$\mathbf{t}_1 = [0 \quad 0 \quad 0 \quad 0 \quad 0 \quad 1]^T \quad (11)$$

Thus, throughout the workspace of the mechanism, the permitted passive motion of the platform when actuator  $M_3$  is disconnected is a free translation along the  $z$  axis. Thus, actuator  $M_3$  controls the translation of the platform along the  $z$  axis. Moreover, as the axis of actuator  $M_3$  is also directed along the  $z$  axis, it comes that, due to the copying properties of the pantograph linkage, a displacement of

actuator  $M_3$  is transformed on a displacement of the platform along the same direction, but amplified by the pantograph linkage.

By similar analyses, it could be proven that actuator  $M_1$  (resp.  $M_2$ ) controls the translation of the platform along the  $x$  axis (resp. the  $y$  axis). Moreover, a displacement of actuator  $M_1$  (resp.  $M_2$ ) is transformed into a displacement of the platform along the same direction, but amplified by the pantograph linkage.

Thus, the input-output relations for the translational displacements of this manipulator are linear. Let us now analyze the permitted displacement when actuator  $M_4$  is disconnected. In such a case, the passive twist  $\mathbf{t}_2$  of the platform  $pl_2$  can be found via the equation:

$$\begin{bmatrix} 0 & \cos \theta_1 & 0 & 0 & 0 & 0 \\ 0 & z_{PC1} & 0 & 1 & 0 & 0 \\ \sin \theta_2 & 0 & 0 & 0 & 0 & 0 \\ -z_{PC2} & 0 & 0 & 0 & 1 & 0 \\ \cos \theta_3 & \sin \theta_3 & 0 & 0 & 0 & 0 \\ -x_{PC3} & y_{PC3} & 0 & 0 & 0 & 1 \end{bmatrix} \mathbf{t}_2 = \mathbf{0} \quad (12)$$

From Eq. (12), it is quite trivial to find the expression of  $\mathbf{t}_2$ :

$$\mathbf{t}_2 = [0 \ 0 \ 1 \ 0 \ 0 \ 0]^T \quad (13)$$

Throughout the workspace of the mechanism, the permitted passive motion of the platform when actuator  $M_4$  is disconnected is a free rotation around the  $z$  axis. Thus, actuator  $M_4$  controls the rotation of the platform along the  $z$  axis.

Thus, the input-output relations for this manipulator are decoupled, and it belongs to the family of the decoupled 3T1R parallel mechanisms.

### C. Geometric and kinematic models

The origin  $O$  of the base frame is fixed such that it coincides with point  $P$  of the platform when all linear actuators have zero length. It is also considered that an increasing actuator's length displaces the

platform along the positive part of the corresponding base frame axis. Therefore, taking into account that  $\mathbf{OC}_i = [x, y, z]^T + [a_i, b_i, c_i]^T$ , the following trivial system of decoupled linear equations governs the translational movements of the Pantopteron-4:

$$x = k(\rho_1 - x_{G1}) - a_1 \quad (14)$$

$$y = k(\rho_2 - y_{G2}) - b_2 \quad (15)$$

$$z = k(\rho_3 - z_{G3}) - c_3 \quad (16)$$

where  $k$  is the magnification factor of the pantograph linkages,  $\rho_i$  is the length of actuator  $i$ ,  $x_{G1}$ ,  $y_{G2}$  and  $z_{G3}$  are coordinates of points  $G_i$  of the platform along  $x$ ,  $y$  and  $z$  axes respectively and  $a_1$ ,  $b_2$  and  $c_3$  are constant terms defining the shape of the platform.

One additional relationship can be derived to define the orientation of the platform, which can be found from the following loop-closure equation:

$$\mathbf{OC}_3 = \mathbf{OG}_3 + \mathbf{G}_3\mathbf{C}_3. \quad (17)$$

Developing and simplifying, one can find:

$$0 = (y + r \sin \phi - y_{G3}) \cos \theta_3 - (x + r \cos \phi - x_{G3}) \sin \theta_3 \quad (18)$$

where  $r$  is the length of element  $pl_2$ . Equation (18) leads to:

$$\theta_3 = \tan^{-1} \left( \frac{y + r \sin \phi - y_{G3}}{x + r \cos \phi - x_{G3}} \right) \quad (19)$$

Since  $k \neq 0$ , the above system of independent equations can be easily inverted to give the two solutions to the inverse kinematics of the Pantopteron-4.

Differentiating Eqs. (14), (15), (16) and (18) leads to:

$$\mathbf{A} \mathbf{v} + \mathbf{B} \dot{\mathbf{q}} = \mathbf{0}, \quad (20)$$

where  $\mathbf{v} = [\dot{x}, \dot{y}, \dot{z}, \dot{\phi}]^T$ ,  $\dot{\mathbf{q}} = [\dot{\rho}_1, \dot{\rho}_2, \dot{\rho}_3, \dot{\theta}_3]^T$  and

$$\mathbf{A} = \begin{bmatrix} 1 & 0 & 0 & 0 \\ 0 & 1 & 0 & 0 \\ 0 & 0 & 1 & 0 \\ -\sin \theta_3 & \cos \theta_3 & 0 & r \cos(\phi - \theta_3) \end{bmatrix} \quad (21)$$

$$\mathbf{B} = \begin{bmatrix} -k & 0 & 0 & 0 \\ 0 & -k & 0 & 0 \\ 0 & 0 & -k & 0 \\ 0 & 0 & 0 & -l_3 \end{bmatrix} \quad (22)$$

with  $l_3 = \sqrt{(x + r \cos \phi - x_{G3})^2 + (y + r \sin \phi - y_{G3})^2}$ .

Thus, one can define the Jacobian matrix  $\mathbf{J}$  of the Pantopteron-4 by:

$$\mathbf{J} = -\mathbf{A}^{-1}\mathbf{B} = \begin{bmatrix} k & 0 & 0 & 0 \\ 0 & k & 0 & 0 \\ 0 & 0 & k & 0 \\ \frac{k \sin \theta_3}{r \cos(\phi - \theta_3)} & -\frac{k \cos \theta_3}{r \cos(\phi - \theta_3)} & 0 & \frac{l_3}{r \cos(\phi - \theta_3)} \end{bmatrix} \quad (23)$$

Recall that the three first diagonal terms of the Jacobian matrix of the Isoglide4 or the Quadrupton are equal to 1. Therefore, *the Pantopteron-4 displaces k times faster than the Isoglide4 or the Quadrupton* (where  $k$  is obviously greater than 1). Moreover, the use of three legs in the Pantopteron-4 instead of four in the other robots allows enlarging the workspace of the mechanism and improves its acceleration capacities. It is also clear that due to this property, and to the greater number of joints in comparison with the Tripton, the accuracy of the proposed robot will be lower. However, the purpose of this robot is not to be more accurate, but to be much faster.

#### D. Singularity analysis

In this section, we analyze the singularities of the Pantopteron-4. It will be shown that the robot may have Type 1 and 2 singular configurations, as well as constraint singularities. However, as it will be

presented later, the manipulator may be designed in such a way that its workspace does not contain any singularities.

*1. Type 1 singularities.*

Analyzing matrix **B**, it can be found that Type 1 singularities [21] appear when  $l_3 = 0$ , which implies that points  $A_3$ ,  $B_3$  and  $C_3$  are aligned along the same axis (Fig. 4). In such a case, given one position of the platform, there are infinitely many orientations for the pantograph linkage.

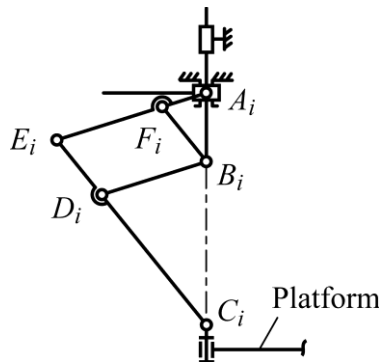


Fig. 4. Example of Type 1 singularities.

Other kinds of Type 1 singularities occurring in the mechanism are due to the degeneracy of the kinematics of the pantograph legs. Such singularities appear when:

- the parallelograms  $B_iD_iE_iF_i$  degenerates into a line; near such case of singularity, the efforts in the revolute joints located at  $E_i$ ,  $F_i$ ,  $D_i$  and  $B_i$  grow considerably, so it has to be avoided by limiting the angle between links  $(A_iE_i)$  and  $(E_iC_i)$ ;
- points  $A_i$ ,  $B_i$  and  $C_i$  of any leg are collinear (Fig. 4); in such a case, given one position of the platform, there are infinitely many orientations for the pantograph linkage. Moreover, if during a displacement of the mechanism, a leg comes close to this singularity, the angular velocity of the

pantograph linkage around the axis defined by segment  $(G_i B_i)$  becomes very high. Therefore, the neighbourhood of such configurations should be avoided by limiting the displacement of joint  $9i$ .

These two kinds of singularity define the boundaries of the workspace. They are similar to the singular configurations present in the Quadrupterion of Isoglide4.

## 2. Type 2 singularities.

Type 2 singularities [21] of the mechanism are also quite simple to analyze. They appear when  $\phi = \theta_3 + \pi/2$ . In such a case, the wrench  $\mathbf{r}_{33}$  is directed along the direction of the platform  $pl_2$  (Fig. 5). This is the reason why, when moving actuator  $M_4$ , rotations of the platform around the vertical axis are impossible. On the other hand, fixing the position of actuator  $M_4$ , the platform can encounter a small rotation around point  $P$ .

Introducing  $\phi = \theta_3 + \pi/2$  into Eq. (18) leads to:

$$0 = y \sin \phi + x \cos \phi - (y_{G_3} \sin \phi + x_{G_3} \cos \phi - r). \quad (24)$$

Thus, fixing the orientation  $\phi$  of the platform, for any altitude  $z$ , the singularity loci are defined by a straight line in the horizontal plane  $Oxy$  (or a vertical plane in 3D).

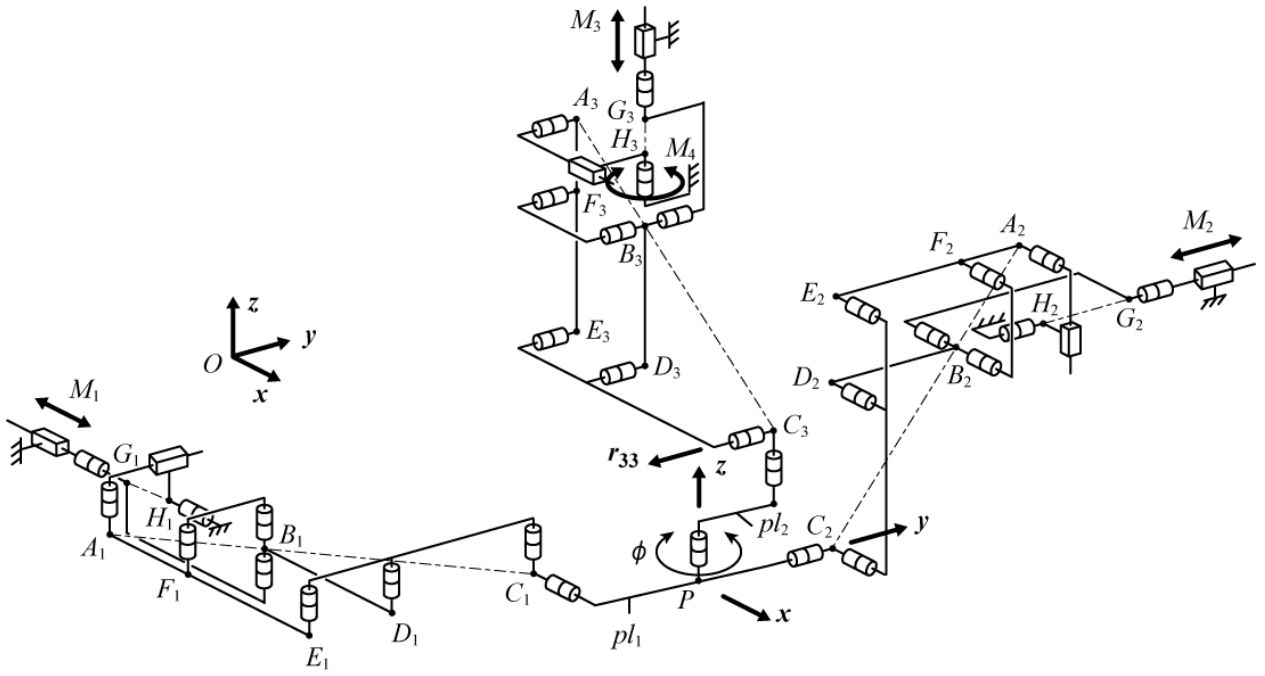


Fig. 5. Example of Type 2 singularity.

### 3. Constraint singularities.

Other cases of singularities appear if the system of wrenches applied on the platform degenerates. The degeneracy of the system of wrenches can be analyzed using the Newton-Euler theorem.

Figure 6 represents the forces applied to the platform by the legs. Let us suppose that a wrench  $\mathbf{f}$  is applied on the platform  $pl_2$  at point  $P$ . Let us also denote by  $\mathbf{p} = [p_1, p_2, p_3, p_4, p_5, 0]^T$  the reaction wrench at the passive revolute joint of the platform. So the following relations can be written:

$$\mathbf{f} + \mathbf{p} + f_{13} \mathbf{r}_{13} + f_{23} \mathbf{r}_{23} + f_{33} \mathbf{r}_{33} = \mathbf{0}, \quad (25a)$$

$$-\mathbf{p} + f_{11} \mathbf{r}_{11} + f_{12} \mathbf{r}_{12} + f_{21} \mathbf{r}_{21} + f_{22} \mathbf{r}_{22} = \mathbf{0}. \quad (25b)$$

where  $f_{ij}$  ( $i = 1, 2, 3, j = 1, 2$ ) are the norms of vector  $\mathbf{f}_{ij}$  (Fig. 6).



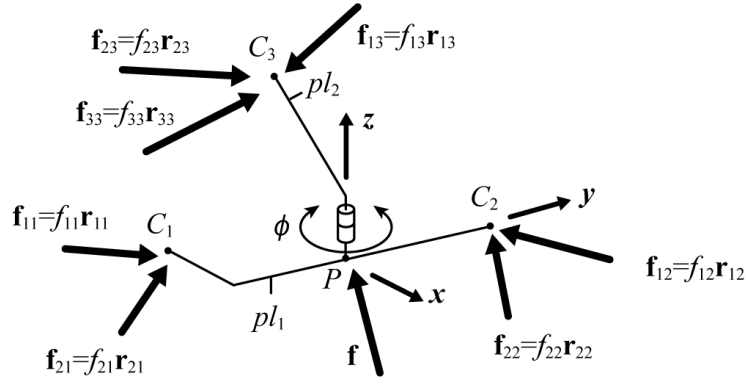


Fig. 6. Constraints applied to the platform of the Pantopteron-4.

Rewriting this system of equations into matrix form yields:

$$\mathbf{M} [p_1 \ p_2 \ p_3 \ p_4 \ p_5 \ f_{11} \ f_{21} \ f_{12} \ f_{22} \ f_{13} \ f_{23} \ f_{33}]^T = -[\mathbf{f}^T \ \mathbf{0}_{1 \times 6}]^T, \quad (26)$$

where

$$\mathbf{M} = \begin{bmatrix} [\mathbf{I}_{5 \times 5} \ \mathbf{0}_{1 \times 5}]^T & \mathbf{0}_{6 \times 1} & \mathbf{0}_{6 \times 1} & \mathbf{0}_{6 \times 1} & \mathbf{0}_{6 \times 1} & \mathbf{r}_{13} & \mathbf{r}_{23} & \mathbf{r}_{33} \\ -[\mathbf{I}_{5 \times 5} \ \mathbf{0}_{1 \times 5}]^T & \mathbf{r}_{11} & \mathbf{r}_{21} & \mathbf{r}_{12} & \mathbf{r}_{22} & \mathbf{0}_{6 \times 1} & \mathbf{0}_{6 \times 1} & \mathbf{0}_{6 \times 1} \end{bmatrix}. \quad (27)$$

Thus, there are constraint singularities if matrix  $\mathbf{M}$  degenerates, i.e., if:

$$\det(\mathbf{M}) = r \cos(\phi - \theta_3) (\cos \theta_1 \cos \theta_2 \cos \theta_3 + \sin \theta_1 \sin \theta_2 \sin \theta_3) = 0, \quad (28)$$

For  $\phi \neq \theta_3 + \pi/2$ , the mechanism is in a constraint singularity if and only if:

$$h = \cos \theta_1 \cos \theta_2 \cos \theta_3 + \sin \theta_1 \sin \theta_2 \sin \theta_3 = 0 \quad (29)$$

In such a case, the three moments  $\mathbf{r}_{1i}$  applied to the platform are linearly dependant, i.e., their axes are parallel or coplanar. Thus, the platform becomes unconstrained and it gains one supplementary DOF.

Let us study the example presented on Fig. 7. Axis  $\mathbf{a}_{11}$  is parallel to the  $y$  axis and axes  $\mathbf{a}_{12}$  and  $\mathbf{a}_{13}$  are parallel to the  $x$  axis. Thus, the DOF gained by the platform is a rotation about an axis parallel to the  $z$  axis.

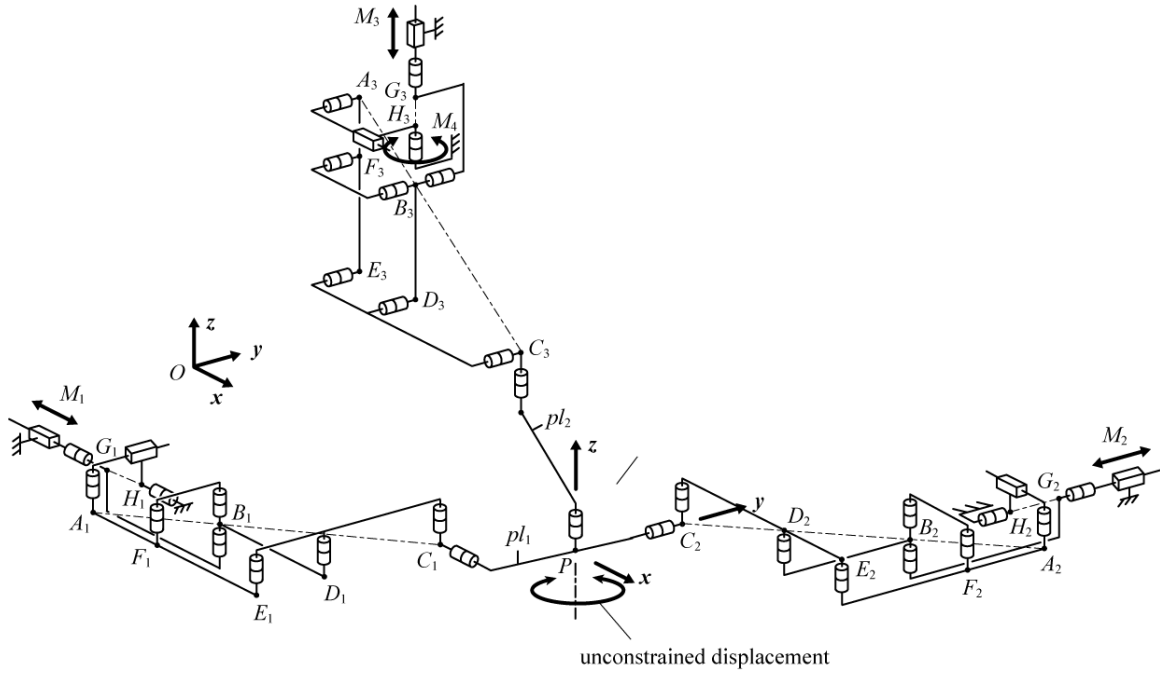


Fig. 7. Example of a constraint singularity.

Expressing Eq. (29) in the Cartesian space yields:

$$h = \frac{(y_{C1} - y_{G1})(z_{C2} - z_{G2})(x_{C3} - x_{G3})}{\Gamma_1 \Gamma_2 \Gamma_3} + \frac{(z_{C1} - z_{G1})(x_{C2} - x_{G2})(y_{C3} - y_{G3})}{\Gamma_1 \Gamma_2 \Gamma_3} = 0 \quad (30)$$

where

$$\Gamma_1 = \sqrt{(y_{C1} - y_{G1})^2 + (z_{C1} - z_{G1})^2}, \quad (31a)$$

$$\Gamma_2 = \sqrt{(z_{C2} - z_{G2})^2 + (x_{C2} - x_{G2})^2}, \quad (31b)$$

$$\Gamma_3 = \sqrt{(x_{C3} - x_{G3})^2 + (y_{C3} - y_{G3})^2}. \quad (31c)$$

In these expressions,  $x_{Ci}$ ,  $y_{Ci}$ ,  $z_{Ci}$ ,  $x_{Gi}$ ,  $y_{Gi}$ ,  $z_{Gi}$  correspond to the coordinates of points  $C_i$  and  $G_i$  about the  $x$ ,  $y$  and  $z$  axes, respectively. Disregarding the case where  $\Gamma_i$  tends to infinity, singularities appear when:

$$(y_{C1} - y_{G1})(z_{C2} - z_{G2})(x_{C3} - x_{G3}) + (z_{C1} - z_{G1})(x_{C2} - x_{G2})(y_{C3} - y_{G3}) = 0 \quad (32)$$

Taking into account that the terms  $x_{Gi}$ ,  $y_{Gi}$ ,  $z_{Gi}$  appearing in (32) are constant and that

$$\mathbf{OC}_i = [x, y, z]^T + [a_i, b_i, c_i]^T \quad (33)$$

where  $a_i, b_i, c_i$  are either constants (for  $i = 1, 2$ ) or variables depending on angle  $\phi$ , for  $i = 3$ . Equation (32) can be rewritten under the form:

$$p_1 x y z + p_2 x y + p_3 x z + p_4 y z + p_5 x + p_6 y + p_7 z + p_8 = 0 \quad (34)$$

where coefficients  $p_i$  are terms depending on the angle  $\phi$ , the position of points  $G_i$  and of the shape of the platform. Fixing the altitude  $z$  of the platform, Eq. (34) is the expression of a hyperbola, of which the coefficients depend on the altitude of the platform, on its orientation and on the geometric parameters of the mechanism.

Thus, contrary to the Isoglide4 or the Quadrupteron, our mechanism has constraints singularities. This is due to the fact that some legs of the Isoglide4 or of the Quadrupteron are attached to the platform by a revolute joint, instead of a Cardan joint, which overconstrains the displacement of the platform and allows avoiding such singular configurations. *However, it will be shown in the following section that, even if the Pantopteron-4 has singularities, they can be easily removed from its workspace.*

### III. DESIGN CONSIDERATIONS

In this part, we will perform the analysis of the workspace of the mechanism, taking into account the geometric limitations and singular configurations, and discuss some other possible architectures based on this mechanism.

#### A. Geometric workspace analysis

Many parameters influence the size of the workspace of the Pantopteron-4. Among the main parameters, we can mention:

- the lengths of the links of the pantograph;
- on the locations of the axes of the base-mounted revolute joints;
- the shape of the platform;

- the maximal stroke of the actuators and of the passive linear guide;
- the interference between the links.

Using a geometrical approach, we will compute the workspace of the Pantopteron-4. As the Pantopteron-4 is a 3T1R parallel mechanism, its workspace for a given orientation of the platform can be found as the intersection of three so-called vertex spaces.

Analyzing the vertex space of the leg  $i$ , it only depends on:

- the lengths of the links of the pantograph;
- the maximal and minimal strokes of the actuators and of the passive linear guide;
- the interferences between the links;
- the singular configurations.

In a first step, let us concentrate on the boundaries of the workspace due to the interference of the links and of the singular configurations. As mentioned previously, for a leg, there are two types of singularities:

- when the parallelogram  $B_iD_iE_iF_i$  degenerates into a line; such a singularity can be avoided by limiting the angle  $\alpha_i$  between the links  $(A_iE_i)$  and  $(E_iC_i)$  of the parallelogram, which, in the same time, allows limiting some interferences between the links. The maximal and minimal angles will be denoted  $(\alpha_i)_{max}$  and  $(\alpha_i)_{min}$ , respectively.
- when points  $A_i$ ,  $B_i$  and  $C_i$  are aligned along the same axis; such a case can easily be avoided by limiting the stroke of the passive prismatic joint  $9i$ . This minimal stroke will be denoted  $(s_i)_{min}$ .

To avoid interference between the links and the base, a maximal stroke of the actuator has to be fixed at  $(\rho_i)_{max}$ .

Each leg is mounted in rotation around one axis parallel to  $\mathbf{a}_{3i}$ . Thus, the problem of finding the vertex space can be limited to a planar analysis of the minimal and maximal displacements of point  $C_i$ , the entire vertex space being found by symmetry of revolution of these displacements.

Considering case (a), we have to find the boundaries of the leg when angle  $\alpha_i$  is fixed. Fixing angle  $\alpha_i$  is equivalent to fixing the lengths of segments  $(A_iB_i)$  and  $(A_iC_i)$ . These lengths are equal to:

$$l_{A_iC_i} = l_{E_iC_i}^2 + l_{A_iE_i}^2 - 2l_{A_iE_i} l_{E_iC_i} \cos \alpha_i \quad (35)$$

$$l_{A_iB_i} = l_{A_iC_i} / k \quad (36)$$

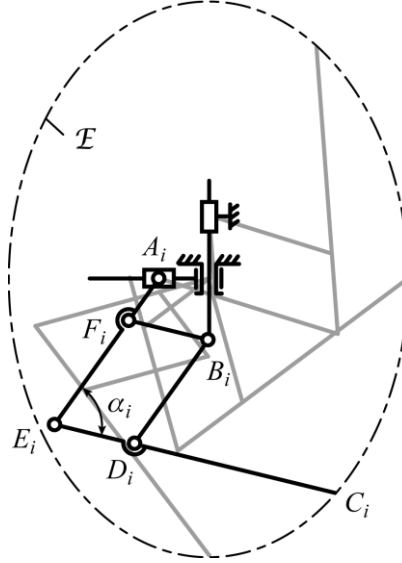
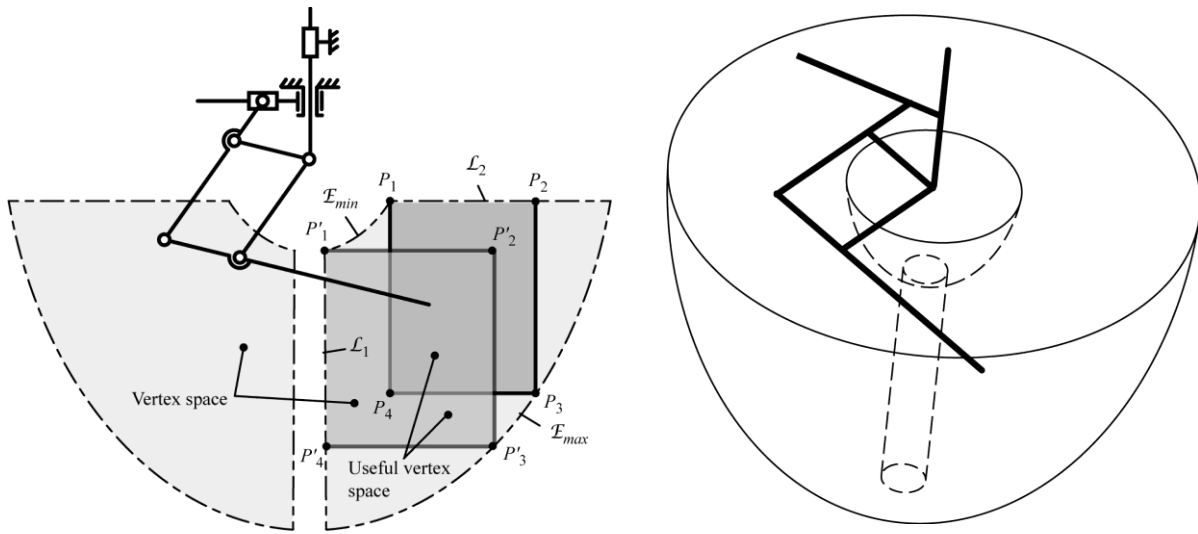


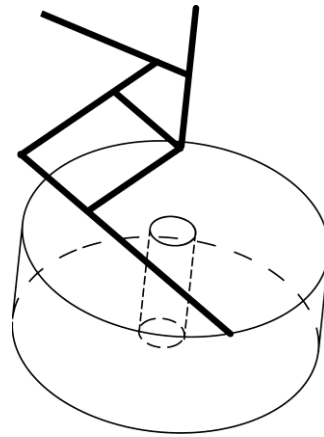
Fig. 8. Displacement of  $C_i$  when  $\alpha_i$  is fixed.

Displacing the prismatic guides, segments  $(A_iB_i)$  and  $(B_iC_i)$  describe Cardanic motions [23]-[24]. As a result, for a given angle  $\alpha_i$ , the displacement locus of point  $C_i$  is an ellipse  $\mathcal{E}$  (Fig. 8). Thus, considering the extremes  $(\alpha_i)_{max}$  and  $(\alpha_i)_{min}$  of angle  $\alpha_i$ , the boundaries of the workspace are given by the ellipses  $\mathcal{E}_{min}$  and  $\mathcal{E}_{max}$  (Fig. 9(a)).



(a) planar projection of the vertex space.

(b) the 3D vertex space of the leg.



(c) the 3D useful vertex space of the leg.

Fig. 9. Schematics of the vertex space of a leg from the Pantopteron-4.

Cases (b) and (c) are much simpler to analyze. The displacement of point  $C_i$  when the passive guide ( $9i$ ) is at its minimal stroke  $(s_i)_{min}$  is a vertical line  $\mathcal{L}_1$  located at  $(k-1)$  times the distance  $(s_i)_{min}$  from the vertical axis ( $G_iB_i$ ) (Fig. 9(a)). The displacement of point  $C_i$  when the actuator  $M_i$  is at its maximal stroke  $(\rho_i)_{max}$  is a horizontal line  $\mathcal{L}_2$  located at  $k$  times the distance between the maximal position of point  $B_i$  and the position of point  $A_i$  along the axis  $\mathbf{a}_{3i}$ , from the axis of the horizontal passive joint  $9i$  (Fig. 9(a)).

The entire vertex space is represented at Fig. 9(b). On all of these figures, two boundaries due to two constraints, which are the maximal strokes of the actuated and passive linear joints, are not represented. These boundaries are vertical and horizontal straight lines. However, in a first step, it is preferable to have the largest vertex space for the legs and, thus, to remove these two boundaries from our workspace by a proper selection of the stroke of the linear guides.

We can implement in Matlab our geometric method in order to be able to optimize the workspace of the Pantopteron-4 by minimizing the lengths of the pantograph's links in each leg. This could be done more promptly in a commercial CAD system, such as CATIA [25]. Figure 10(a) shows an example of the workspace of a Pantopteron-4 with relatively short legs. We can obtain the best ratio between the lengths of the links and the volume of the workspace. A relatively large increase of the link lengths will result in only a negligible gain in the workspace volume.

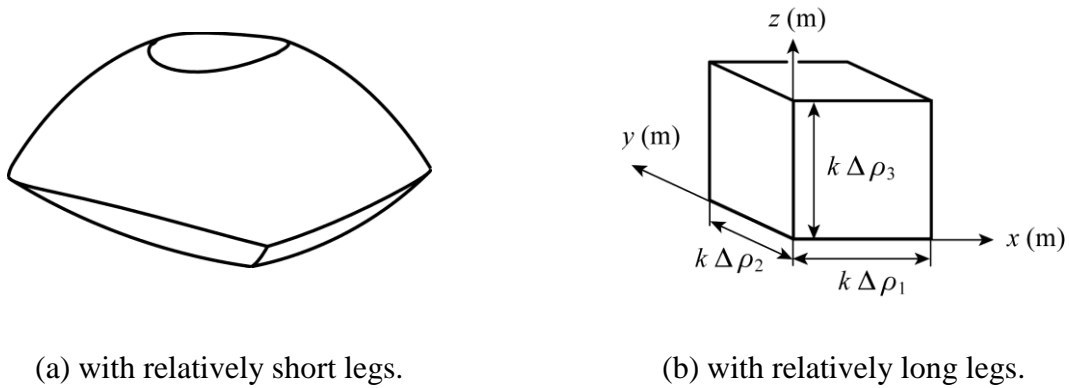


Fig. 10. Orientation workspace of the Pantopteron-4.

However, it would obviously be a mistake to design a 3T1R parallel mechanism with such a complex workspace. Thus, our decision is to keep the links as long as it takes, so that the workspace of the mechanism becomes a simple geometric form, namely a rectangular parallelepiped. In other words, the workspace of a Pantopteron-4 with sufficiently long legs has to become a box whose sides are of length

$k \Delta\rho_i$  ( $\Delta\rho_i$  being the stroke of actuator  $M_i$ ,  $i = 1, 2, 3$ ), as shown in Fig. 10(b) (see the example in the next section).

In order to obtain such a simple volume, when the three vertex spaces are intersected, it is the planar caps that limit the workspace and not the other surfaces. Of course, we still try to minimize the length of the links, by carefully locating the prismatic actuators on the base and properly choosing the dimensions of the mobile platform and of the stroke of the actuators. Furthermore, if the workspace of the mechanism has to be a parallelepiped, the shape of the vertex space should not be too complicated, and can be reduced to a hollow cylinder (Fig. 9(c)). This can be accomplished by properly constraining the maximal stroke of the active and passive linear guides in order to obtain, in the planar projection of the workspace, a rectangle denoted as the useful vertex space (two possible examples of the useful vertex space are presented in Fig. 9(a)).

The workspace volume of the Pantopteron-4 is the other main advantage of the proposed robot. Indeed, the maximal volume of the workspace of the Quadrupteron or Isoglide4 is  $V = \Delta\rho_1\Delta\rho_2\Delta\rho_3$  while that of the Pantopteron-4 is  $V = k^3\Delta\rho_1\Delta\rho_2\Delta\rho_3$ , i.e., for the same set of given actuators, the workspace of the Pantopteron-4 is  $k^3$  times bigger than that of the other robots.

Moreover, it is well known that the actuators represent a major portion of the cost of a robot. For creating a fast mechanism with actuated prismatic joint, it is preferable to use linear motors that reach higher velocities. However, the main drawback of such actuators is their price, which is directly proportional to the length of their stroke. For a given maximal workspace, the stroke of the actuators of the Quadrupteron or Isoglide4 is  $k$  times greater than that of the motors of the Pantopteron-4. Therefore, even if the Pantopteron-4 is more complicated to design than a Quadrupteron or an Isoglide4, its manufacturing cost would likely be lower.



### B. Singularity-free workspace

It is impossible to speak about the workspace of a parallel mechanism without dealing with singularities. As observed from Eq. (34), the constraint singularities depend on the position of the mobile platform, on the locations of the axes of the base-mounted revolute joints, and on the shape of the platform. Thus, analyzing Eq. (34), there are nine design parameters which are  $y_{G1}$ ,  $z_{G1}$ ,  $x_{G2}$ ,  $z_{G2}$ ,  $x_{G3}$ ,  $y_{G3}$ ,  $a_1$ ,  $b_2$ , and  $c_3$  (we do not consider the lengths of the links of the pantograph linkages as they do not influence these singular configurations). So, there are too many parameters for a complete analysis of the singular configurations. Therefore, we will restrict our analysis to some particular designs.

We will consider in this part a mechanism which has a platform with two concurrent axes (for example the ones of joints 12,1 and 12,2), and a base whose three pantograph axes of rotations are also concurrent. Therefore, considering that the intersection point of the pantograph axes is the origin of the base frame, and that point  $P$  is at the intersection of the two axes of the platform, only  $c_3$  ( $= r$ ) stay variable, the other ten parameters being equal to zero.

In such a case, Eq. (34) becomes:

$$z(2xy + yr \cos \phi + xr \sin \phi) = 0 \quad (37)$$

Thus, singular configurations will appear if the platform of the mechanism is located in the plane  $\mathcal{P}_1$  ( $z = 0$ ), or if it is located on a hyperbola  $\mathcal{H}$  whose expression is:

$$2xy + yr \cos \phi + xr \sin \phi = 0 \quad (37)$$

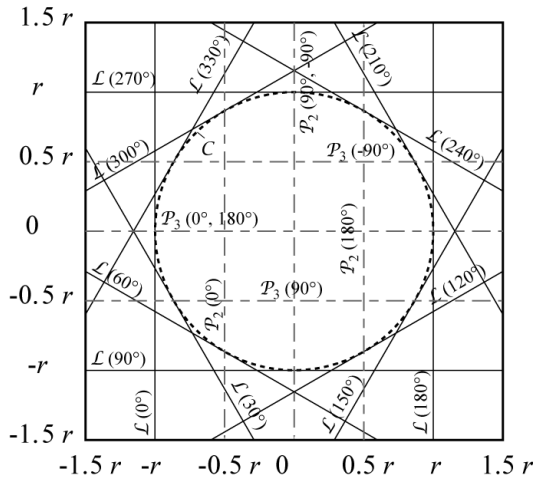
Please note that this expression does not depend on the altitude  $z$  of the platform. It is well known that such a hyperbola has two asymptotes,

$$x = -(r \cos \phi) / 2 \quad (39)$$

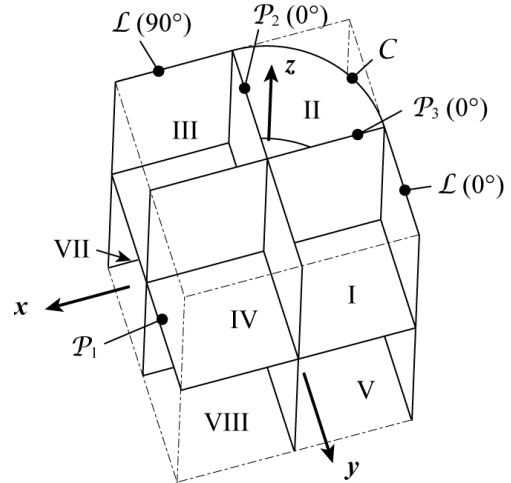
$$y = -(r \sin \phi) / 2 \quad (40)$$

which, in 3D, represent two planes which we will denote by  $\mathcal{P}_2(\phi)$  and  $\mathcal{P}_3(\phi)$ . These planes, projected in the horizontal plane  $\mathcal{P}_1$ , are represented in Fig. 11a for several values of angle  $\phi$ .

Let us now take into account the Type 2 singular configurations. These singularities are described by Eq. (24) and are represented on Fig. 11a by the lines denoted  $\mathcal{L}(\phi)$ . It is also possible to represent the curve tangent to all these lines, which represents the workspace without Type 2 singular configurations: it is the circle  $C$  of radius  $r$ , centred in  $O$ .



(a) Singularities in the workspace of the Pantopteron-4 for any angle  $\phi$  (planar projection)



(b) Singularities in the workspace of the Pantopteron-4 for  $\phi \in [0, 90^\circ]$  (3D).

Fig. 11. Singularity free workspaces.

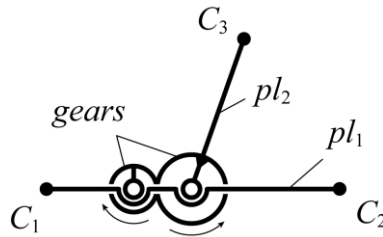


Fig. 12. Amplification device for the rotation of the platform.

Thus, for any angle  $\phi$ , the singularity-free workspace does not exist. This is due to the fact that, if we represent the all planes  $\mathcal{P}_2(\phi)$  and  $\mathcal{P}_3(\phi)$  and all lines  $\mathcal{L}(\phi)$  for any angle  $\phi$  between  $0^\circ$  and  $360^\circ$  on the

same figure, the entire workspace will be filled with singularities. However, this major drawback can be easily suppressed by limiting the possible rotation of the platform in an interval of  $90^\circ$ . The workspace with the boundaries of the singularity loci for  $\phi \in [0, 90^\circ]$  is represented on Fig. 11b. It is clear on this picture that the regions IV and VIII are completely free of singular configurations. Obviously, several applications need a rotation superior to  $90^\circ$ . However, such a drawback can be compensated by using an amplification device, such as the one presented on Fig. 12, in order to transform the limited rotation of the platform into large rotations of the end-effector. This system is composed of two gears, one fixed on the rotating link  $pl_2$  of the platform, the other on the orientation-fixed part  $pl_1$ . The manipulated device will be located on the smallest gear that will permit the amplification of the rotation of the link  $pl_2$ . A pulley belt mechanism may also be used instead of gears.

A possible version of a prototype of a Pantopteron-4 is represented at Fig. 13. Its geometric parameters are:

- $l_{AiEi} = 0.2$  m,  $l_{EiCi} = 0.3$  m,  $k = 3$ ;
- $y_{G1} = z_{G1} = x_{G2} = z_{G2} = x_{G3} = y_{G3} = 0$  m,  $a_1 = b_2 = 0$  m,  $r = 0.05$  m;
- actuator strokes = 0.06 m ( $(z_i)_{min} = -0.22$  m,  $(z_i)_{max} = -0.16$  m)
- passive linear guide strokes = 0.14 m ( $(s_i)_{min} = 0.01$  m,  $(s_i)_{max} = 0.15$  m) ;
- $(\alpha_i)_{min} = 25^\circ$ ,  $(\alpha_i)_{max} = 155^\circ$ .

Its design is achieved such that its workspace is a cube whose side is equal to 0.18 m for any value of angle  $\phi \in [0, 90^\circ]$ .

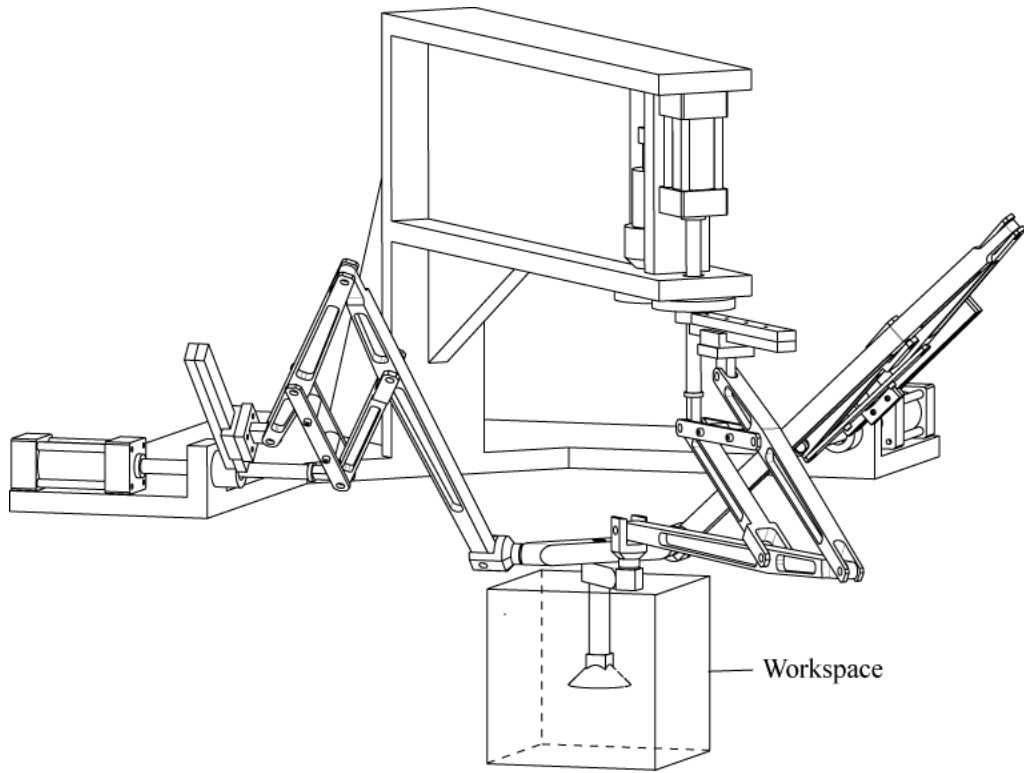
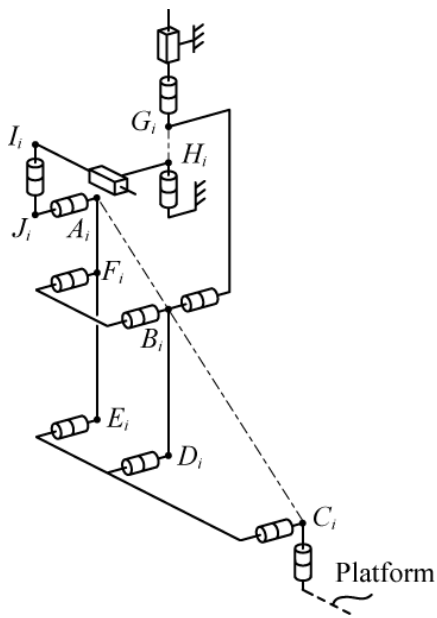


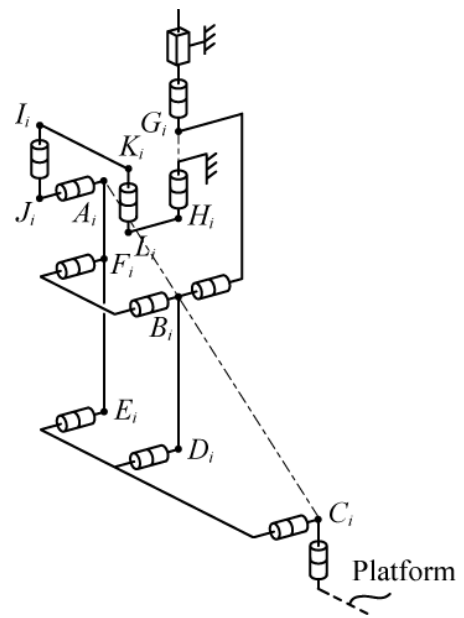
Fig. 13. CAD model of a possible prototype of Pantopteron-4.

### C. Other possible architectures

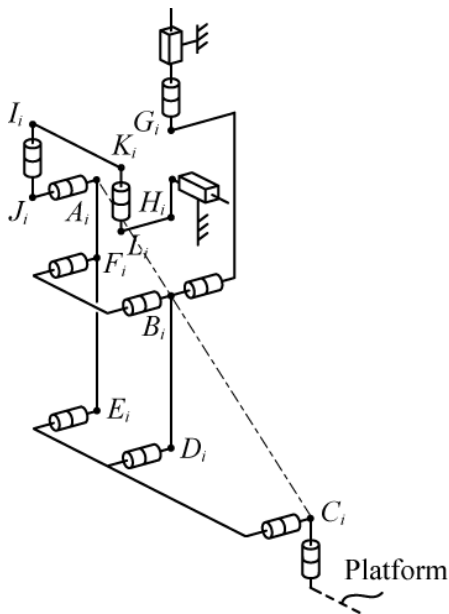
Finally, we would like to mention that the design of the Pantopteron-4 presented here is not the only solution for creating such a mechanism. First, as the leg is made up of a pantograph linkage, several designs are possible, which are presented in [26]. However, we believe that the architecture we proposed is the most practical one. Moreover, note that the planar  $RP$  chain composed of the revolute joint  $10i$  and the prismatic joint  $9i$  may be removed and replaced by any kinematic chain able to perform a planar displacement, such as planar  $RRR$ ,  $RPR$ ,  $PPR$  or  $PRR$  chains (Fig. 14). Using such chains, points  $H_i$  and  $G_i$  need not be aligned. However, such changes in the design will lead to different singular configurations.



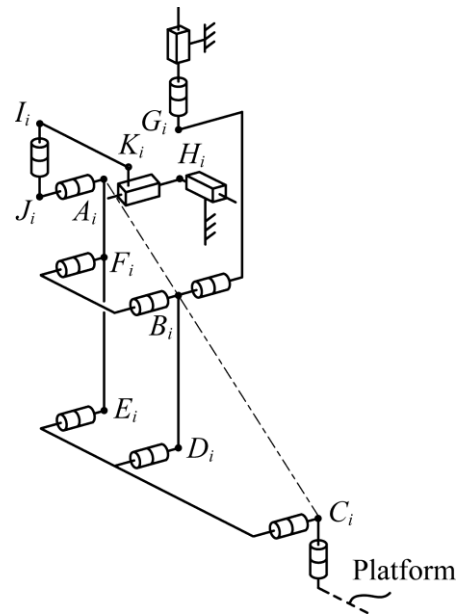
(a) the  $RP$  chain is replaced by a  $RPR$  chain.



(b) the  $RP$  chain is replaced by a  $RRR$  chain.



(c) the  $RP$  chain is replaced by a  $PRR$  chain.



(d) the  $RP$  chain is replaced by a  $PPR$  chain.

Fig. 14. Other possible legs for the Pantopteron-4.

#### IV. CONCLUSIONS

In this paper, a novel 4-DOF decoupled 3T1R parallel mechanism, named the Pantopteron-4, was presented. The Pantopteron-4 end-effector displaces  $k$  times faster than its linear motors ( $k$  being the magnification factor of the pantograph linkages). Moreover, for a given set of actuators, its workspace is  $k^3$  times bigger than the stroke of its actuators. Though the mechanism proposed has several singular configurations, it is easy to choose proper design parameters that lead to a large singularity-free workspace. This novel mechanism is foreseen to be used in applications where the velocities and accelerations have to be high, such as in pick-and-place.

#### V. REFERENCES

- [1] C.M. Gosselin, X. Kong, Cartesian Parallel Manipulators. US patent 6,729,202, filed July 8, 2002, and issued May 4, 2004.
- [2] M. Carricato, V. Parenti-Castelli, Singularity-Free Fully-Isotropic Translational Parallel Manipulators. *The International Journal of Robotics Research* 21 (2) (2002) 161–174.
- [3] X. Kong, C.M. Gosselin, Type Synthesis of Linear Translational Parallel Manipulators. *Advances in Robot Kinematics: Theory and Applications*. J. Lenarcic, F. Thomas, eds., Kluwer Academic Publishers, 2002, pp. 453–462.
- [4] X. Kong, C.M. Gosselin, A Class of 3-DOF Translational Parallel Manipulators with Linear Input-Output Equations. *Proceedings of the Workshop on Fundamental Issues and Future Research Directions for Parallel Mechanisms and Manipulators*, Quebec City, Quebec, Canada, October 3–4, 2002, pp. 25–32.
- [5] C.-C. Lee and J.-M. Hervé, Cartesian Parallel Manipulators with Pseudoplanar Limbs, *ASME Journal of Mechanical Design*, 129 (12) (2007), 1256-1264.

- [6] H.S. Kim, L. W. Tsai, Evaluation of a Cartesian Parallel Manipulator. *Advances in Robot Kinematics: Theory and Applications*, J. Lenarcic, F. Thomas, eds., Kluwer Academic Publishers, 2002, pp. 21–28.
- [7] G. Gogu, *Structural Synthesis of Parallel Robots, Part 1 – Methodology*. Springer, the Netherlands, 2008.
- [8] J-M. Hervé, The Lie Group of Rigid Body Displacements, a Fundamental Tool for Mechanism Design, *Mechanism and Machine Theory*, 34 (5) (1999), 719-730,
- [9] G. Gogu, Singularity-Free Fully-Isotropic Parallel Manipulators with Schoenflies Motions. *Proceedings of the 2005 IEEE 12-th IEEE International Conference on Advanced Robotics (ICAR 2005)*, Seattle, WA, USA, July 18-20, 2005, pp. 194-201.
- [10] G. Gogu, Fully-Isotropic Parallel Manipulators with Schoenflies Motions and Complex Legs with Rhombus Loops. *Proceedings of the 2006 IEEE International Conference on Robotics and Automation (ICRA)*, Orlando, Florida, USA, May, 2006, pp. 1147-1152.
- [11] G. Gogu, Structural Synthesis of Fully-Isotropic Parallel Robots with Schoenflies Motions via Theory of Linear Transformations and Evolutionary Morphology. *European Journal of Mechanics / A – Solids* 26 (2) (2007) 242-269.
- [12] C.M. Gosselin, M. Tale Masouleh, V. Duchaine, P.-L. Richard, S. Foucault, X. Kong, Parallel Mechanisms of the Multipteron Family: Kinematic Architectures and Benchmarking. *Proceedings of the 2007 IEEE International Conference on Robotics and Automation (ICRA)*, April 10-14, 2007, Rome, Italy.
- [13] B.C. Bouzgarrou, J.-C. Fauroux, G. Gogu, Y. Heerah, Rigidity analysis of T3R1 parallel robot with uncoupled kinematics. *Proceedings of the 35th International Symposium on Robotics (ISR)*, Paris, France, March 23-26, 2004.
- [14] I.A. Bonev, Delta Robot — the Story of Success. On-line article available at [www.parallemic.org/Reviews/Review002.html](http://www.parallemic.org/Reviews/Review002.html), 2001.

- [15] F. Pierrot, V. Nabat, O. Company, S. Krut., P. Poignet, Optimal Design of a 4-dof Parallel Manipulator: From Academia to Industry. *IEEE Transactions on Robotics*, 25 (2) (2009) 213-224.
- [16] S. Briot, V. Arakelian, S. Guégan, PAMINSA: a New Family of Decoupled Parallel Manipulators. *Mechanism and Machine Theory*, 44 (2) (2009) 425-444.
- [17] S.-M. Song and J.-K. Lee, The mechanical efficiency and kinematics of pantograph type manipulators, Proceedings of the IEEE International Conference on Robotics and Automation (ICRA 1988), Philadelphia, Pennsylvania, USA, April 24-29, 1988, Vol.1, pp. 414-420.
- [18] S. Briot, I.A. Bonev, Pantopteron: a New Fully-Decoupled 3-DOF Translational Parallel Robot for Pick-and-Place Applications. *ASME Journal of Mechanisms and Robotics*, 1 (2) (2009).
- [19] S. Briot, V. Arakelian, S. Guégan, Design and Prototyping of a Partially Decoupled 4-DOF 3T1R Parallel Manipulator with High-Load Carrying Capacity. *Journal of Mechanical Design*, 130 (12) (2008).
- [20] C.-C. Lee and J.-M. Hervé, Cartesian Parallel Manipulators with Pseudoplanar Limbs, *ASME Journal of Mechanical Design*, 129 (12) (2007), 1256-1264.
- [21] C.M. Gosselin, J. Angeles, Singularity analysis of closed-loop kinematic chains. *IEEE Transactions on Robotics and Automatics*, 6 (3) (1990) 281-290.
- [22] D. Zlatanov, I.A. Bonev, C.M. Gosselin, Constraint Singularities of Parallel Mechanisms,” *IEEE International Conference on Robotics and Automation (ICRA 2002)*, Washington, D.C., USA, May 11–15, 2002.
- [23] A. Sekulie, Method of Synthesis of Cardanic Motion,” *Facta Universitatis, Mechanical Engineering*, University of NIS, 1 (5) (1998) 565–572.
- [24] C.R. Tischler, K.H. Hunt, A.E. Samuel, A Spatial Extension of Cardanic Movement: Its Geometry and Some Derived Mechanisms. *Mechanism and Machine Theory*, 33 (8) (1998) 1249–1276.
- [25] I.A. Bonev, J. Ryu, A Geometrical Method for Computing the Constant-Orientation Workspace of 6-PRRS Parallel Manipulators. *Mechanism and Machine Theory*, 36 (1) (2001) 1–13.



- [26] D.-M. Lu, W.-M. Hwang, Synthesis of Planar Five-Bar Pantograph Configurations by a Geometric Method”, *Mechanism and Machine Theory*, 31 (1) (1996) 11–21.