



HAL
open science

A Lagrangian model for spray behaviour within vine canopies

A. da Silva, C. Sinfort, C. Tinet, Daniel Pierrat, S. Huberson

► **To cite this version:**

A. da Silva, C. Sinfort, C. Tinet, Daniel Pierrat, S. Huberson. A Lagrangian model for spray behaviour within vine canopies. *Journal of Aerosol Science*, 2006, 37 (5), p. 658 - p. 674. 10.1016/j.jaerosci.2005.05.016 . hal-00451688

HAL Id: hal-00451688

<https://hal.science/hal-00451688>

Submitted on 29 Jan 2010

HAL is a multi-disciplinary open access archive for the deposit and dissemination of scientific research documents, whether they are published or not. The documents may come from teaching and research institutions in France or abroad, or from public or private research centers.

L'archive ouverte pluridisciplinaire **HAL**, est destinée au dépôt et à la diffusion de documents scientifiques de niveau recherche, publiés ou non, émanant des établissements d'enseignement et de recherche français ou étrangers, des laboratoires publics ou privés.

A Lagrangian model for spray behaviour within vine canopies

Arthur Da Silva⁺, Carole Sinfort*, Cyril Tinet*, Daniel Pierrat**, Serge Huberson***

+ LRMA – ISAT – BP 31 – 58027 Nevers cedex

**UMR ITAP – Cemagref – BP 5095 – 34033 Montpellier France*

***CETIM Nantes, 74 route de la Juonelière- BP 82617 – 44 326 Nantes cedex France*

****Université du Havre, 25 rue Philippe Lebon -BP 1123- 76 063 Le Havre cedex France*

⁺Corresponding author. Tel.: +33.499.61.23.34 Fax. +33.499.61.24.36

Email address: sinfort@ensam.inra.fr

Abstract

This work concerns the numerical prediction of pesticide deposits on vine by air assisted sprayers. This numerical model consists in two different parts: the air flow characteristics were obtained through a Navier-Stokes solver in which additional terms have been introduced in order to account for the modification of the flow by the vine foliage. The theoretical form of these terms was derived through an averaging procedure. As a result, the canopy effect was modelled by introducing momentum and turbulence source terms in the Navier-Stokes equations. The constants were identified thanks to experimental data obtained by direct measurements of the air flow speeds through an artificial canopy. The second part of the model consists in simulating the droplet cloud by means of a lagrangian stochastic model. The average motion of the droplets was computed through the use of lagrangian coordinates and the turbulence effect on the droplets was interpreted in term of statistical properties of the droplet cloud. The tractor displacements were accounted for through unsteady boundary conditions. Once the size and the droplets cloud locations have been determined, the deposit was predicted for a vine row of one meter length using an efficiency coefficient obtained from

droplet deposition.

Keywords: pesticide droplets, lagrangian model, particle deposition, vine, canopy, collection efficiency

Nomenclature

If not stated, subscript i, j, k stand for the i (respectively j, k)-components of a given entity (Einstein convention)

a : leaf area density [m^{-1}]

a_{1S}, a_{2S}, a_{3S} : constants [m^{-1}]

b : constant [m^{-1}]

B : body forces

c_l : total concentration affected to the l lagrangian particle

$c(\vec{x}, t)$: particle concentration

C_o : drag coefficient for a single leaf []

C_{an} : canopy drag coefficient []

C_D : droplet drag coefficient []

$C_{\epsilon 1}, C_{\epsilon 2}, C_{\mu}$: constants []

d : droplet diameter [m]

d' : maximum deviation of an air molecule [m]

d_p' : maximum deviation of a droplet [m]

D_T : turbulence diffusivity [$\text{m}^2 \cdot \text{s}^{-1}$]

E : collection efficiency []

f_g : gravity force per unit mass [$\text{N}\cdot\text{kg}^{-1}$]

g : gravitational acceleration [$\text{m}\cdot\text{s}^{-2}$]

k : turbulent kinetic energy [$\text{m}^2\cdot\text{s}^{-2}$]

L : depth of the canopy [m]

m_f : fluid mass corresponding to a droplet volume [kg]

M_i : mass carried by a given injected droplet along its mean trajectory, at the entrance of the i^{th} section [kg]

m_p : droplet mass [kg]

\vec{n} : normal unit vector

p : pressure [$\text{N}\cdot\text{m}^{-2}$]

p_n : shelter factor []

S_U, S_k, S_ϵ : source terms

t : time [s]

t_c : diffusion time of the cloud [s]

U : air velocity [$\text{m}\cdot\text{s}^{-1}$]

$U(y)$: horizontal air velocity at a given position y [$\text{m}\cdot\text{s}^{-1}$]

U_e : mean horizontal air velocity at the entrance of the canopy [$\text{m}\cdot\text{s}^{-1}$]

U_s : mean horizontal air velocity at the output of the canopy [$\text{m}\cdot\text{s}^{-1}$]

u : component of air velocity [$\text{m}\cdot\text{s}^{-1}$]

u' : component of the air velocity fluctuation [$\text{m}\cdot\text{s}^{-1}$]

\vec{v}_l : velocity vector of the l lagrangian particle

v : component of droplet velocity [$\text{m}\cdot\text{s}^{-1}$]

v' : component of the droplet velocity fluctuation [$\text{m}\cdot\text{s}^{-1}$]

\vec{x} : position vector (components x_i)

y: horizontal distance, perpendicular to the row [m]

z: vertical distance [m]

α_c : correction factor []

B_d, β_p : constants

$\delta_{i,j}$: Kronecker symbol

ε : dissipation rate of energy [$\text{m}^2 \cdot \text{s}^{-3}$]

μ : air viscosity

μ_T : turbulence dynamical viscosity [$\text{kg} \cdot \text{m}^{-1} \cdot \text{s}^{-1}$]

ν_t : turbulence cinematic viscosity [$\text{m}^2 \cdot \text{s}^{-1}$]

ρ : air density [$\text{kg} \cdot \text{m}^{-3}$]

σ : variance [m]

σ_T : turbulence Prandlt number []

τ_p : droplet relaxation time [s]

χ_l : Position vector of the l lagrangian particle

Introduction

On orchard and bush crops, pesticides are applied with air assisted sprayers. In France, the vineyards consume around 20% of the total amount of commercialized pesticides (~100.000 ton/year) with only 4% of agricultural surface. In these crops, pesticides are sprayed with low volume/hectare rates (50-200 l/ha), consisting of fine sprays (mainly from 25 to 500 micrometers) compared with other applications. This high percentage of small droplets makes them very sensitive to wind resulting in important losses (in some cases more than 50% of the

and crop structure and canopy spatial heterogeneity is of great influence on the quality of actual deposit (Gil, 2002).

Vines are cultivated under different plantation forms and using different trailing systems inducing variable distances between trees and between rows (from 1 to 2.50m), variable heights and variable leaf densities. However, canopies during its full developing period more or less form continuous rows standing from the soil up to 1.5m or 2m high, with a depth ranging from 0.5 to 1.5 m and leaf area densities up to 10 m²/m³.

Several authors tried to measure relations between sprayer settlings or spray features and deposits within orchard and vine of various size canopies. Sprayer settings include drive velocity, number, type and size of nozzles, fan velocity, liquid pressure, spray orientation and volume/hectare rates. They were tested for instance by Giles *et al.* (1989) on peach orchards, Pergher and Gubiani (1995) on vines, Salyani (2000) and Farooq and Landers (2004) on citrus. Important spray characteristics are air and volume flow-rates as well as spray drop size distribution. Test series were setup by Cross *et al.* (2001a, 2001b, 2003) on apple trees, and much earlier by Randall (1971). Air assistance facilitates spray penetration and shakes the leaves, allowing a better deposit on their back side. Several authors (Reichard *et al.*, 1979; Fox *et al.*, 1985; Brazee *et al.*, 1991) focused on the features of air flow delivered by the sprayers. Many conclusions were obtained but conception of sprayers accounting for all the interacting parameters (atmospheric conditions are also influent factors, mainly for drift considerations) still constitutes a challenging task. Some methods were proposed for adjusting sprays with air flow orientation and distribution irregularities together with canopy shapes and density (Furness *et al.*, 1998; Van de Zande *et al.*, 2001; Vieri and Giorgietti, 2001; Giametta *et al.*, 2002; Pergher *et al.*, 2002) using vertical patternators and/or evaluation of canopy characteristics (Miller *et al.*, 2003).

Field tests are long to set-up and meteorological conditions, tank mixing variability or collection efficiency may affect data homogeneity (Teske and Thistle 2003). Thus, some authors proposed to use numerical simulation as a way to better understand the many phenomena occurring and to improve the calculation of the deposits within canopies. Most advance works in spray modelling were developed for aerial spraying. The AGDISP software (Teske *et al.*, 2003) and its regulatory version, AgDRIFT were developed to predict the behaviour of aircraft releases. They are based on a Lagrangian approach and use original ensemble-averaged turbulence equations avoiding the need of any random component. A Lagrangian approach coupled with stochastic droplet tracking was used for air assisted orchard sprayers by Xu *et al.* (1998), and by Brown and Sidahmed (2001) as well who provided computations of the horizontal travel distances of droplets released from a forestry airblast sprayer for herbicide applications. In these Lagrangian approaches, only some trajectories were computed, usually one for each class of droplets diameter. The total volume rate of each class was then affected in totality to this representative trajectory.

Raupach *et al.* (2001a) studied the behaviour of aerial spraying using a Gaussian-plume assumption: the deposit of spray is defined through a conductance [$\text{m}\cdot\text{s}^{-1}$] and the concentration of pesticide in the air. The authors stated that the conductance through the vegetation was mainly due to gravitational settling effect and to inertial phenomena. In another paper (Raupach *et al.*, 2001b), the entrapment of particles by windbreaks was considered. It was found to be related to the optical porosity. Finally, Farooq and Salyani (2004) proposed a model for citrus canopies, based on the canopy features of this kind of tree, the amount of deposit on leaves being dependant of collection efficiency of leaves and on the air velocity within the canopy. Compared with these latter models the Lagrangian approach provides more detailed results but, the relatively small number of representative trajectories

account for all the droplets.

In this paper the numerical simulation of the behaviour of sprays within vine canopies by means of a Lagrangian approach is proposed. The following simplifying assumption were used : vine sprayers are driven between two canopy walls supposed to be homogeneous in the travel direction and vertical, the outlets are very close to the canopy so the transport between the sprayer and the canopy was not considered, last, due to canopy density, the evaporation within the canopy is supposed to be negligible. The proposed model accounts for the behaviour of the air flow within the canopy, the variation of droplet mean trajectories within this air flow according to their diameters and initial velocities, the behaviour of the spray clouds associated to each trajectory and the rate of input spray entrapped by the leaves. For each of this points, appropriate methods were selected according to vine specifications and the air flow was computed by means of a commercial CFD (Computational Fluid Dynamics) code

1. Modelling air flow within the canopy

Air flow model

A huge amount of work has already been done to analyze air flow behaviour within canopies. Most work was developed for bio-climatology concerns to characterize transfers within the Canopy Sub-Layer (CSL). Most often, the vegetation was supposed to be homogeneous in a horizontal plane and only the vertical dimension was considered.

Interactions between flow and canopy act on two ways: the canopy drag force results in pressure loss in the air flow and air turbulence is modified. It is modelled as a sink term in the

force can be split into viscous drag and form drag. Viscous drag is commonly neglected. The influence of canopy structure and variability of drag on momentum was discussed by Bache (1986). The most common expression for the drag force per unit volume is:

$$\vec{F} = -\rho \cdot a \cdot C_n \cdot \|\vec{U}\| \cdot \vec{U} \quad [\text{N/m}^3] \quad (1)$$

where C_n is the drag coefficient of the canopy, a is the Leaf Area Density, U is the upwind velocity, and ρ the air density.

The turbulence modifications are a production of turbulent kinetic energy (from the mean kinetic energy of the air flow) and a dissipation of the wakes by the elements of vegetation. The representation of the turbulence is an important point of discussion (e.g. Wilson and Shaw, 1977; Katul, 2004). The two equations k - ε model is the most popular in engineering applications and was used in several spray models (Weiner and Parkin, 1993; Zhu *et al.*, 1994; Xu *et al.*, 1998; Brown and Sidhamed, 2001). In this work, the Reynolds averaged equations together with a k - ε model were used. That makes six equations to be solved: the three momentum transport equations (eq. 3), the continuity equation (eq. 2), and two transport equations for k and ε (eq. 5 and 6):

$$\frac{\partial \rho}{\partial t} + \frac{\partial(\rho u_i)}{\partial x_i} = 0 \quad (2)$$

$$\frac{\partial \rho u_i}{\partial t} + \frac{\partial \rho u_i u_j}{\partial x_j} = B_i - \frac{\partial p}{\partial x_i} + \frac{\partial}{\partial x_i} \left[\mu \left(\frac{\partial u_i}{\partial x_j} + \frac{\partial u_j}{\partial x_i} - \frac{2}{3} \frac{\partial u_l}{\partial x_l} \delta_{ij} \right) \right] - \frac{\partial(\rho \overline{u'_i u'_j})}{\partial x_j} \quad (3)$$

$$\text{with } \overline{u'_i u'_j} = -v_t \left(\frac{\partial u_i}{\partial x_j} + \frac{\partial u_j}{\partial x_i} \right) + \frac{2}{3} v_t \frac{\partial u_l}{\partial x_l} \delta_{ij} + \frac{2}{3} k \delta_{ij}, \quad (4)$$

$$k = \frac{\overline{u'_i{}^2}}{2} \text{ and } v_t = C_\mu \frac{k^2}{\varepsilon}$$

$$\frac{\partial k}{\partial t} + u_j \frac{\partial k}{\partial x_j} = v_t \left(\frac{\partial u_i}{\partial x_j} + \frac{\partial u_j}{\partial x_i} \right) \frac{\partial u_i}{\partial x_j} + \frac{\partial}{\partial x_j} \left(\frac{v_t}{\sigma_k} \frac{\partial k}{\partial x_j} \right) - \varepsilon \quad (5)$$

$$\frac{\partial \varepsilon}{\partial t} + u_j \frac{\partial \varepsilon}{\partial x_j} = C_{\varepsilon_1} C_\mu k \left(\frac{\partial u_i}{\partial x_j} + \frac{\partial u_j}{\partial x_i} \right) \frac{\partial u_i}{\partial x_j} + \frac{\partial}{\partial x_j} \left(\frac{v_t}{\sigma_\varepsilon} \frac{\partial \varepsilon}{\partial x_j} \right) - C_{\varepsilon_2} \frac{\varepsilon^2}{k} \quad (6)$$

These equations are cast into two sets, one for (u, p) and one for (k, ϵ) which were alternately solved. The computational domain was discretised by means of a finite volume method (Versteeg and Malalasekera, 1995). The numerical scheme was second order in space and time.

Although the $k-\epsilon$ model is usually based on time averaged equations, the dimensional analysis underlying the definition of a turbulent viscosity also holds for space averaging. It was therefore possible to use the same equation supplemented by additional sources terms. An important advantage of this assumption is the possibility to use a commercial CFD solver for the resulting equations: in our case, CFX 4.2 (AEA Technology Engineering Software, Ltd, <http://www.aeat.co.uk/>) was used. This solver was developed in England more than ten years ago and many applications, both in house at Cemagref and abroad, gave us sufficient confidence in the results, at least for the kind of applications presented hereafter. The quality of the simulations was at least ascertained from the comparison with our experimental results.

The computed domain, as shown in Fig. 1 and 2, was a parallelepiped bounded by six rectangular faces and the vine canopy was represented by an embedded sub domain. The canopy was supposed to be homogeneous and was represented by its effects on the air flow. Then, the drag force (eq. 1) was introduced in the momentum conservation equation through a source term, S_U :

$$S_U = -C_n \cdot a \cdot U^2 \quad (7)$$

Source terms were also introduced in k and ϵ equations, respectively S_k and S_ϵ . The expression of S_k is that proposed by Sanz (2003):

$$S_k = C_n \cdot a \cdot (\beta_p \cdot U^3 - \beta_d \cdot U \cdot k) \quad (8)$$

where β_p is the fraction of the mean flow kinetic energy converted to wake-generated k by canopy drag (production of k) and β_d ($\approx 1.0-5.0$) is the fraction of k dissipated by interactions with the vegetation. Walklate (1996) suggested that in dense canopies (such in

crop/flow interactions. Then, taking $\beta_d = 1$, S_k is simplified to:

$$S_k = -C_n \cdot a \cdot U \cdot K \quad (9)$$

S_ε is less known and the proposed formulations are mainly based on a standard dimensional analysis (Katul, 2004). The expression retained in our work was:

$$S_\varepsilon = -C_n \cdot a \cdot U \cdot \varepsilon \quad (10)$$

consistently to the other source terms expression.

Experimental determination of C_n

Laboratory experiments were set up using an air-assisted sprayer in front of an artificial canopy, to measure vegetation resistance to airflow. Air velocities were measured with a Phase Droplet Analyser (bi-laser) scanning smoke particles injected at the outlet of the sprayer. Fig. 3 illustrates the organization of the tests. Measurement points were located in two vertical planes, A and B, in front and behind the canopy. The distance between two points was 4 cm in width and 5 cm in height.

Velocities were calculated for an acquisition time of 60s. There were 5 vertical lines of measurements but only the three inside lines (column 2, 3 and 4) were actually represented to avoid side effects. In plane A, mean velocity along z axis, $U(y_A)$, was about 7 m/s, whereas in plane B, at the height of the canopy (between 50 and 150 cm), velocity, $U(y_B)$, was lower than 2m/s (cf. Fig. 2). Velocity decline is due to momentum absorption by foliage. Stating that the velocity decrease through the canopy is exponential, leads to:

$$U(y) = U_e \exp(-C_n a y) \quad (11)$$

where $U(y)$ is the horizontal velocity at a given position y (see Fig 1) and U_e , the mean horizontal velocity at the entrance of the canopy. Denoting L the depth of the canopy (here $L=0.75m$), U_s , the mean horizontal velocity just behind the canopy, and assuming that U_e is

value of C_n is given by:

$$C_n = \frac{1}{a.L} \ln \frac{U_e}{U_s} \quad (12)$$

The leaf area density, a , was obtained after gathering all leaves of the artificial plant, by recording images of each leaf with a scanner and then by sizing them using image analysis tools. Its value was 7 m^{-1} , giving then:

$$C_n \approx 0.3$$

This value is in agreement with those found in literature, where $0.1 < C_n < 0.5$. The value 0.5 corresponds to a single leaf perpendicular to the flow. The 0.3 value obtained is due to a shelter effect, caused by the surrounding leaves. The shelter factor, p_n , was defined by Raupach and Thom (1981) as:

$$p_n = C_o(U) / C_n(U) \quad (13)$$

where C_o is the friction coefficient for a single leaf, C_n the effective friction coefficient and U , the air velocity. In the case of the artificial plant, applying equation (13) gives p_n equal to 1.7.

Model setting

The computed domain is shown in Fig. 2. It was uniformly covered with cubic cells which sides correspond to a 5 cm actual length. The air flow and, in the next stage, the droplets are injected in a plane which will be referred to as the inlet boundary. Boundary conditions were defined for the six rectangular faces bounding the domain. Because of the airflow generation process, constant pressure boundary conditions were used for all the bounding faces except for the inlet boundary and for the ground face where no-slip boundary conditions were used. The inlet boundary, shown on Fig. 1 and 2, is 3 m long and 0.9 m high; it was discretised into 1080 cells (60×18).

Results

The comparison of simulations and experience (Fig. 4) shows that, on the whole, computed velocities satisfactorily fit measured ones. Hence, the used resistance force gave a good approximation of the canopy effect on air flow.

2. Simulation of mean trajectories

Lagrangian model

Assuming, there is no interaction between the droplets and the airflow, droplet transport is governed by equation (14):

$$\begin{aligned} \frac{dv_i}{dt} &= C_D \frac{\pi d^2}{8m_p} \rho \|\vec{u} - \vec{v}\| (u_i - v_i) + \frac{(m_p - m_f)}{m_p} g_i \\ \frac{d\vec{\chi}_i}{dt} &= \vec{v}_i \end{aligned} \quad (14)$$

where v_i is the i -component of droplet velocity, C_D the droplet drag coefficient (computed from the Reynolds number of the droplet.), m_p and d the droplet mass and diameter, u_i the i -

component of air velocity, m_f the fluid mass corresponding to a droplet volume and g_i the i -component of gravitational acceleration. $\vec{\chi}_l$ stands for the position vector of the l droplet, and \vec{v}_l for its velocity vector.

The turbulence effect on the trajectories can be dealt with in many different ways. General CFD codes as CFX or Fluent (Fluent Inc., Lebanon, N.H.) describe the effect of turbulence dissipation by stochastic droplet tracking assuming that the air fluctuating velocities obey a Gaussian probability function (as described in Reichard *et al.*, 1992). Another method is to use random-walk models where the temporal fluctuation of the air velocity is determined by means of a Markov process (described for instance in Miller and Hadfield, 1989; Mokeba *et al.*, 1997 or Xu *et al.*, 1998). The AGDISP model is based on a spectral representation of the fluctuating velocity (Teske *et al.*, 2003). The present work was based on the computation of averaged trajectories for a set of representative droplets. At this stage, only the mean flow was accounted for. Each droplet was assumed to correctly represent the average motion of a set of similar droplets gathered in a “droplet cloud”. The air velocity fluctuations were accounted for through the expansion of these droplet clouds along the averaged trajectories. As a result, the droplet concentration associated to the l lagrangian particle is expressed as the Gaussian function:

$$c(\vec{x}, t) = \prod_{i=1}^3 \frac{c_i}{(2\sqrt{\pi}\sigma_i(t))} \exp\left(-\frac{(x_i - \chi_{l,i}(t))^2}{\sigma_i^2(t)}\right) \quad (15)$$

The equation governing $\sigma_i(t)$ is further described in the next section.

Model setting

Droplets, assisted by air flow, were injected from the inlet boundary, at a 0.3 m distance from foliage. To represent the horizontal displacement of the sprayer along the vine row, the airflow starts abruptly according to a Heaviside function, so that it can be considered to be a

(x-direction). The band width can be regulated in a Fortran routine associated with the numerical simulation.

Droplet distributions were measured with the Phase Doppler Analyser and were sorted within five diameter classes. The input spray was represented by 4 injection points, in a same vertical axis. At each injection point, a droplet of each diameter class was released with the flowrate of the entire class. The droplet input velocity was set to the mean air velocity input. As far as the droplets are concerned, they are assisted by the airflow. At a given time step, 20 droplets of the 5 different diameter classes are ejected from the 4 vertical positions corresponding to the 4 outlets. In the following step, the injection position moved forward, in the x direction (cf. Fig. 5). The injection of droplets was set to occur during sixty two-second steps. This time corresponds to the tractor moving at a speed of 1.5 m/s in front of a 3m vine row. To summarize, $20 \times 60 = 1200$ mean trajectories were computed.

3. Computation of cloud expansion

Expansion model

The 1200 mean trajectories are not representative of all individual droplets ejected from the sprayer. The individual droplets are much more numerous. Therefore, these many droplets were cast into 1200 possibly overlapping clouds surrounding the 1200 previous particles. The individual motion of a droplet belonging to one such given cloud was assumed to be defined as the addition of the corresponding mean motion plus a fluctuation. These fluctuations were expected to be conveniently modelled by independent Brownian motions whose diffusion can be related to some turbulence quantification. With this hypothesis, for a given diameter, the position of one set of droplets around their mean trajectory was supposed to follow a Gaussian

viscosity is defined as:

$$v_T = C_\mu \frac{k^2}{\varepsilon} \quad (16)$$

where $C_\mu = 0.09$ is a constant parameter. Turbulence diffusivity has the following form:

$$D_T = \frac{v_T}{\sigma_T} \quad (17)$$

where σ_T is the turbulence Prandtl number.

To respect energy conservation, a factor 1/3 appears for each velocity component. It means that for i-component, turbulence diffusivity becomes:

$$D_{T_i} = \frac{1}{3} D_T = \frac{v_T}{3 \sigma_T} \quad (18)$$

Following the Brownian motion model, the expression of variance is given by:

$$\sigma_i^2 = 2 D_{T_i} t_c = 2 \left(\frac{C_\mu k^2}{3 \sigma_T \varepsilon} \right) t_c \quad (19)$$

where t_c is the diffusion time of the cloud. Hence, the variance of the cloud is function of k and ε and is time dependant.

Integration of turbulence parameters in space and time

The vine domain was divided in 240 elementary representative volumes (EV). An EV is a cube, which sides are 30cm long and it is considered as a homogeneous domain. It then contains 6^3 (= 216) cells. A post-process was developed to compute the variance of the cloud for a given mean trajectory and for every crossed EV. The diffusion time of the cloud, t_c , is the crossing time of the EV. It depends on droplet inertia and on the distance travelled within the EV. Turbulence energy and dissipation rate were integrated within all computing cells contained in the EV during this time t_c (cf. Fig. 6).

Correction factor including droplet relaxation time

The variance previously defined for the expansion of the cloud only corresponds to the expansion of air molecules. Brownian motion is indeed only of value for particles smaller than one micron. The variance of the expansion of the cloud for bigger particles must include a correction factor, α_c , relating the dispersion of air molecules and droplets, by taking into account the relaxation time of the droplets.

If $\Delta\sigma_i$ is the air molecules variance increase (for i-component) while crossing an EV, and $\Delta\sigma_{pi}$ the corresponding actual expansion of a droplet cloud, the correction factor will be:

$$\alpha_c = \frac{\Delta\sigma_{pi}}{\Delta\sigma_i} < 1 \quad (20)$$

α_c tends to 0 when droplet diameter becomes very big, and $\alpha_c \approx 1$ for very small droplets.

Calculation of α_c follows:

If u_i' is the i-component of the air velocity fluctuation, it was assumed that the corresponding droplet velocity fluctuation followed an exponential law defined as:

$$v_i'(t) = u_i' \left(1 - e^{-t/\tau_p}\right), \quad (21)$$

where τ_p is the droplet relaxation time.

In a given EV, the maximum deviation of a droplet, during a crossing time, t_c , is:

$$d_{p_i}' = \int_0^{t_c} v_i' dt, \quad (22)$$

while the maximum deviation of an air molecule is:

$$d_i' = u_i' t_c. \quad (23)$$

Then, it can be considered that α_c is given by:

$$\alpha_c = \frac{d_{p_i}'}{d_i'} \quad (24)$$

In this work, the relaxation time, τ_p , was estimated for each class of droplet diameter without considering non-linear forces. A cloud that increases while crossing the vegetation (as illustrated in Fig. 7, for the z-component) was associated to each mean trajectory.

4. Particle deposition

Impact model

As the canopy was represented as a homogeneous domain, it was necessary to determine the part of the spray retained by the leaves. Most models compute deposits as proportional to a “collection efficiency” (or “impaction efficiency” or “probability collection”) which use and definition is variable but which always accounts for the inertial behaviour of the droplets and, in some cases, for the entrapment behaviour at the leaf level (Xu *et al.* 1998; Raupach *et al.*, 2001b; Teske *et al.*, 2003; Farooq and Salyani, 2004). The description of the expression of this coefficient will not be considered here.

The 240 EV were grouped in 5 vertical sections in depth direction (y). The mean trajectories cross successively the 5 sections and thus, five EV, assuming that the droplets never return backwards. In each EV, the deposit was computed as the mass carried by the

fraction of each cloud (around each mean trajectory) crossing the EV, corrected by a collection efficiency, denoted E. For every crossed EV, the deposit is then given by the relation:

$$\text{Dep} = V_{\text{frac}} \times E \times M_i \times \frac{\vec{V} \cdot \vec{n}}{\|\vec{V}\|} \quad (25)$$

M_i is the mass carried by a given injected droplet along its mean trajectory, at the entrance of the i^{th} section. At the entrance of the canopy, M_1 is computed from the mass flow rate of the sprayer. At the i^{th} section, $M_i = M_{i-1} - \text{Dep}_{i-1}$, where Dep_{i-1} stands for the sum of the deposits in all the EV's of the section $i-1$. \vec{n} is the normal unit vector of the entrance plane in any EV. E was obtained from repeated simulations with injections in front of squared vertical leaves, depending on the droplet diameter and velocity, on a shelter factor and on the leaf area density. V_{frac} is the fraction of the cloud that enters a given EV as shown in Fig. 8. The standard deviation of the cloud σ^* is the same in both x and z direction ($\sigma^* = \sigma_x = \sigma_z$). Then, writing the Brownian expression of the cloud within the limits of an EV gives:

$$V_{\text{frac}} = \int_{x_c - \Delta x/2}^{x_c + \Delta x/2} \frac{1}{\sqrt{2\pi\sigma^*}} e^{-\frac{1}{2\sigma^{*2}}(x - x_p)^2} dx \int_{z_c - \Delta z/2}^{z_c + \Delta z/2} \frac{1}{\sqrt{2\pi\sigma^*}} e^{-\frac{1}{2\sigma^{*2}}(z - z_p)^2} dz \quad (26)$$

where x_c and z_c are the co-ordinates of the centre of the EV, Δx and Δz the size of the EV, x_p and z_p , the co-ordinates of the droplet at the EV entrance.

V_{frac} is computed for all the EV's of a same vertical section crossed by any part of the cloud allowing then to obtain the deposit within each EV. The deposits are ultimately tallied in every EV for all injected droplets.

Example of results

Trajectories were computed for 3 meters of vegetation length. Only a one meter long central section was kept in order to avoid boundary effects. The LAD was 7 m^{-1} for all the EV's and the shelter factor was $p_n=1.82$. The deposits accumulated along this meter of vine length show an exponential decrease, as for a scalar, S , crossing a canopy (cf. Fig. 9):

$$S = S_0 \times e^{-y \cdot b} \quad (27)$$

Walklate (1996) suggested that $b = a_{1S} + a_{2S} + a_{3S}$ where a_{2S} accounts for the vegetation, a_{1S} , for the expansion of the spray, and a_{3S} , for leaf movement. In our case, a_{2S} is known ($a_{2S} = C_n a$), and a_{3S} is neglected. As a result, the model can be used to evaluate the turbulence effect on the deposit yielding:

$$a_{1S} = b - a_{2S} \quad (28)$$

Conclusion

The approach proposed here allows us to predict the effect of physical parameters (droplet diameter, air and droplet velocities, air turbulence at the sprayer output, flow rate, leaf area density) on spray efficiency within the canopy. The model doesn't take into account the transport between the sprayer and the canopy and focuses on the behaviour inside the canopy. In row per row applications, this representation is expected to be sufficient to describe the entire process. In the general case, with airblast or pneumatic sprayers, when vines are sprayed every two rows (or more), an important amount of spray can be lost in the air and transport and evaporation outside the canopy must be considered.

The model is based on the representation of the canopy through a resistance force as well as modifications of turbulence parameters. Then, the spray is represented by a selected number of droplet clouds. The history of each cloud is derived from the individual trajectory

of one representative droplet and a Brownian motion. It was also assumed that the droplets of one particular cloud have approximately the same diameter and carry an equivalent mass of liquid. One key element is the model for the expansion of droplet clouds around the mean trajectories. This expansion is obtained through the relation between the Brownian motion parameters and the turbulence and droplets dynamic. The different droplet sizes were accounted for by mean of a relaxation time. The canopy is divided into elementary volumes with variable leaf area densities. The deposits are obtained for each of these elementary volumes. The computation of the deposit relies on a collection efficiency factor which was obtained by separate simulations. This collection efficiency could be used to analyze the role of the influencing parameters and to improve the pre-existing relations. A further work will focus on this point.

One particular advantage of our model is the relation which was clearly established between the different physical phenomena, their mathematical representation using physical parameters and their introduction into the final deposit estimate. The next target will be to use this model to improve and optimize air assistance in sprayers.

References

- Bache, D.H. (1986), 'Momentum transfer to plant canopies: influence of structure and variable drag', *Atmospheric Environment* **20**, 1369-1378.
- Brazee, R.D.; Reichard, D.L.; Bukovac, M.J. & Fox, R.D. (1991), 'A partitioned energy transfer model for spray impaction on plants', *Journal of Agricultural Engineering Research* **50**(1), 11-24.
- Brown, R.B. & Sidhamed, M.M. (2001), 'Simulation of spray dispersal and deposition from a forest airblast sprayer - Part II: Droplet trajectory model', *Transactions of the ASAE* **44**(1), 11-17.
- Cross, J.V.; Walklate, P.J.; Murray, R.A. & Richardson, G.M. (2001a), 'Spray deposits and losses in

- different sized apple trees from an axial fan orchard sprayer: 1. Effects of spray liquid flow rate', *Crop Protection* **20**(1), 13-30.
- Cross, J.V.; Walklate, P.J.; Murray, R.A. & Richardson, G.M. (2001b), 'Spray deposits and losses in different sized apple trees from an axial fan orchard sprayer: 2. Effects of spray quality', *Crop Protection* **20**(4), 333-343.
- Cross, J.V.; Walklate, P.J.; Murray, R.A. & Richardson, G.M. (2003), 'Spray deposits and losses in different sized apple trees from an axial fan orchard sprayer: 3. Effects of air volumetric flow rate', *Crop Protection* **22**(2), 381-394.
- DaSilva, A.; Sinfort, C.; Bonicelli, B.; Voltz, M. & Huberson, S. (2002), 'Spray penetration within vine canopies at different vegetative stages', *Aspects of Applied Biology* **66**, 331-339.
- Farooq, M. & Landers, A.J. (2004), 'Interactive effects of air, liquid and canopies on spray patterns of axial-flow patterns' Paper 041001, ASAE, Fermont Chateau Laurier .
- Farooq, M. & Salyani, M. (2004), 'Modelling of spray penetration and deposition on citrus tree canopies', *Transactions of the ASAE* **47**(3), 619-627.
- Fox, R.D.; Brazee, R.D. & Reichard, D.L. (1985), 'A model study of the effect of wind on air sprayer jets', *Transactions of the ASAE* **28**(1), 83-88.
- Furness, G.O.; Magarey, P.A.; Miller, P.H. & Drew, H.J. (1998), 'Fruit tree and vine sprayer calibration based on canopy size and length of row: unit canopy row method', *Crop Protection* **17**(8), 639-644.
- Giametta, G.; Giametta, F. & Caracciolo, G. (2002), 'Optimization of plant protection treatment in a vineyard' Paper 021097, ASAE International Meeting/CIGR XVth World Congress, Chicago, Illinois.
- Gil, E. (2002), 'Crop adapted spraying in vineyard. Leaf area distribution (crop profile) and uniformity of deposition (CV) as tools to evaluate the quality of applications' Paper 02-PM-014, AGENG, Budapest, Hungary.
- Giles, D.K.; Delwiche, M.J. & Dodd, R.B. (1989), 'Spatial distribution of spray deposition from an air-carrier sprayer', *Transactions of the ASAE* **32**(3), 807-811.
- Katul, G.G. (2004), 'One and two equations models for canopy turbulence', *Boundary-Layer*

- Miller, P.C.H. & Hadfield, D.J. (1989), 'A simulation model of the spray drift from hydraulic nozzles', *Journal of Agricultural Engineering Research* **42**, 135-147
- Miller, P.C.H.; Scotford, I.M. & Walklate, P.J. (2003), 'Characterizing crop canopies to provide a basis for improved pesticide application' Paper 031094, ASAE Annual International Meeting, Las Vegas.
- Pergher, G.; Balsari, P.; Cerruto, E. & Vieri, M. (2002), 'The relationship between vertical spray patterns from air-assisted sprayers and deposits in vine canopies', *Aspects of Applied Biology* **66**, 323-330.
- Pergher, G. & Gubiani, R. (1995), 'The effect of spray application rate and airflow rate on foliar deposition in a hedgerow vineyard', *Journal of Agricultural Engineering Research* **61**, 205-216.
- Randall, J.M. (1971), 'The relationships between air volume and pressure on spray distribution in fruit trees', *Journal of Agricultural Engineering Research* **16**(1), 1-31.
- Raupach, M.R.; Briggs, P.; Ahmad, N. & Edge, V.E. (2001), 'Endosulfan transport II: Modeling airborne dispersal and deposition by spray and vapor', *Journal of Environmental Quality* **30**, 729-740.
- Raupach, M.R. & Thom, A.S. (1981), 'Turbulence in and above plant canopies', *Annual Review of Fluid Mechanics* **13**, 97-129.
- Raupach, M.R.; Woods, N.; Dorr, G.; Leys, J.F. & Cleugh, H.A. (2001), 'The entrainment of particles by windbreaks', *Atmospheric Environment* **8**, 1-11.
- Reichard, D.L.; Fox, R.D.; Brazee, R.D. & Hall, F.R. (1979), 'Air velocities delivered by orchard air sprayers', *Transactions of the ASAE* **22**(1), 69-74, 80.
- Reichard, D.L.; Zhu, H.; Fox, R.D. & Brazee, R.D. (1992), 'Wind tunnel validation of a computer program to model spray drift', *Transactions of the ASAE* **35**(3), 755-758
- Salyani, M. (2000), 'Optimization of deposition efficiency for airblast sprayers', *Transactions of the ASAE* **43**(2), 247-253.
- Sanz, C. (2003), 'A note on k-epsilon modelling of vegetation canopy air-flow', *Boundary Layer Meteorology* **108**, 191-197.
- Teske, M.E.; Thistle, H.W. & Ice, G.G. (2003), 'Technical advances in modelling aerially applied

Arthur Da Silva, Carole Sinfort, Cyril Tinet, Daniel Pierrat, Serge Huberson. A Lagrangian model for spray behaviour within vine canopies. *Journal Aerosol Science*, 2006
author-produced version of the final draft post-refereeing
the original publication is available at <http://www.elsevier.com> - doi:10.1016/j.jaerosci.2005.05.016
sprays', *Transactions of the ASAE* **46**(4), 985-996.

Teske, M.E. & Thistle, H.W. (2003), 'Release height and far-field limits of lagrangian aerial spray models', *Transactions of the ASAE* **46**(4), 977-983.

Van de Zande, J.C.; Porskamp, H.A.J. & Michielsen, J.M.G.P. (2001), 'Effect of the spray distribution set-up of a cross-flow fan orchard sprayer on the spray deposition in a flat surface and in a tree', *Parasitica* **57**(1--2--3), 87-97.

Versteeg, H.K. & Malalasekera, W., (1995), *An introduction to Computational Fluid Dynamics. The finite volume method*. Prentice Hall ed. 257 p.

Vieri, M. & Giorgetti, R. (2001), 'Results of the comparative efficiency distribution trials on two sprayers (conventional GEO-diffuser and OKTOPUS-spraying modules) using different settings', *Advances in Horticultural Sciences* **15**(1-4), 112-120.

Wilson, N.R. & Shaw, R.H. (1977), 'A higher order closure model for canopy flow', *Journal of Applied Meteorology* **16**(11), 1197-1205.

Xu, X.G.; Walklate, P.J.; Rigby, S.G. & Richardson, G.M. (1998), 'Stochastic modelling of turbulent spray dispersion in the near-field of orchard sprayers', *Journal of Wind Engineering and Industrial Aerodynamics* **74-76**, 295-304.

Zhu, H.; Reichard, D.L.; Fox, R.D.; Brazee, R.D. & Ozkan, H.E. (1994), 'Simulation of drift of discrete sizes of water droplets from field sprayers', *Transactions of the ASAE* **37**(5), 1401-1407.

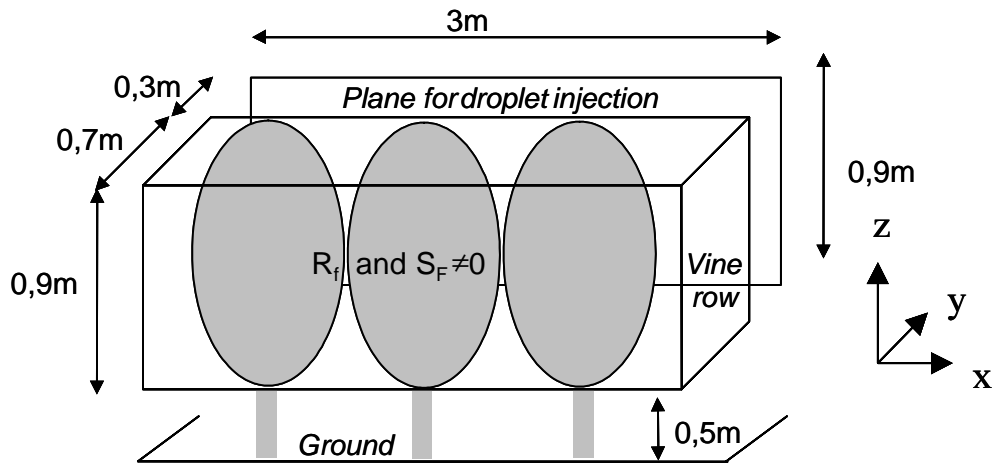


Figure 1 – Dimensions of the modelled part of the vine row

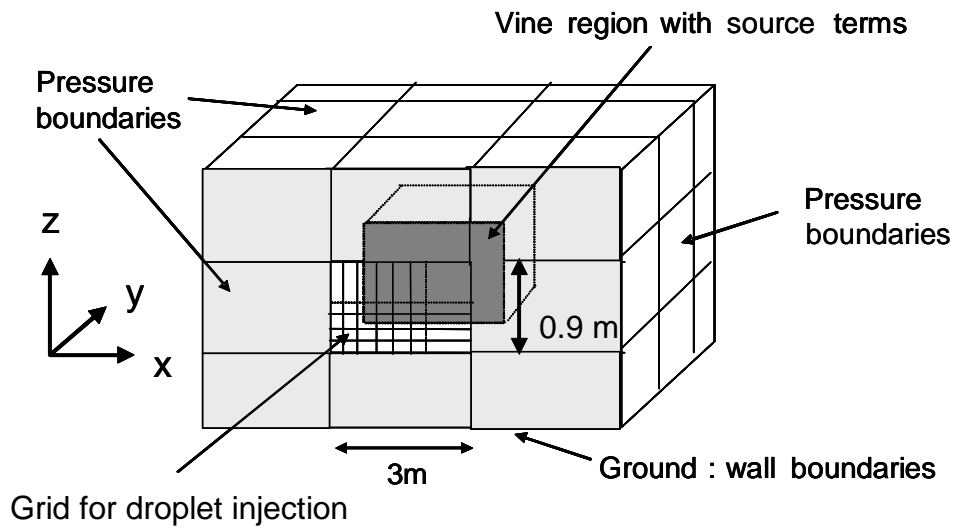


Figure 2 – The whole computational domain

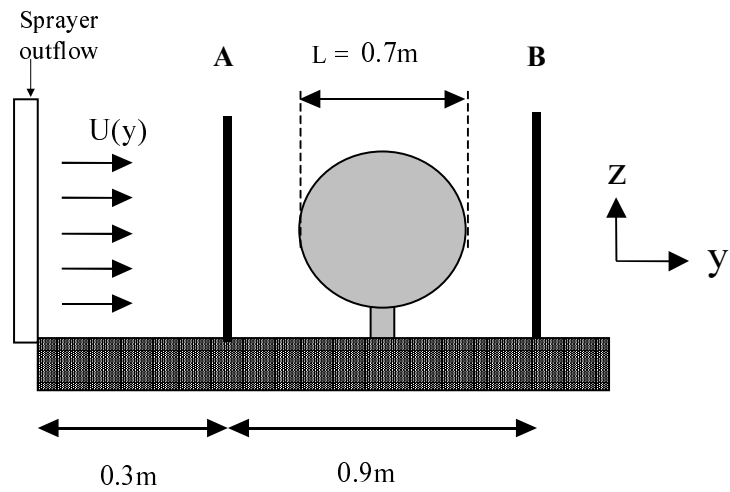


Figure 3 – Measurement of air flow velocities in front of (plane A, $y = y_A$), and behind (plane B, $y = y_B$), an artificial plant

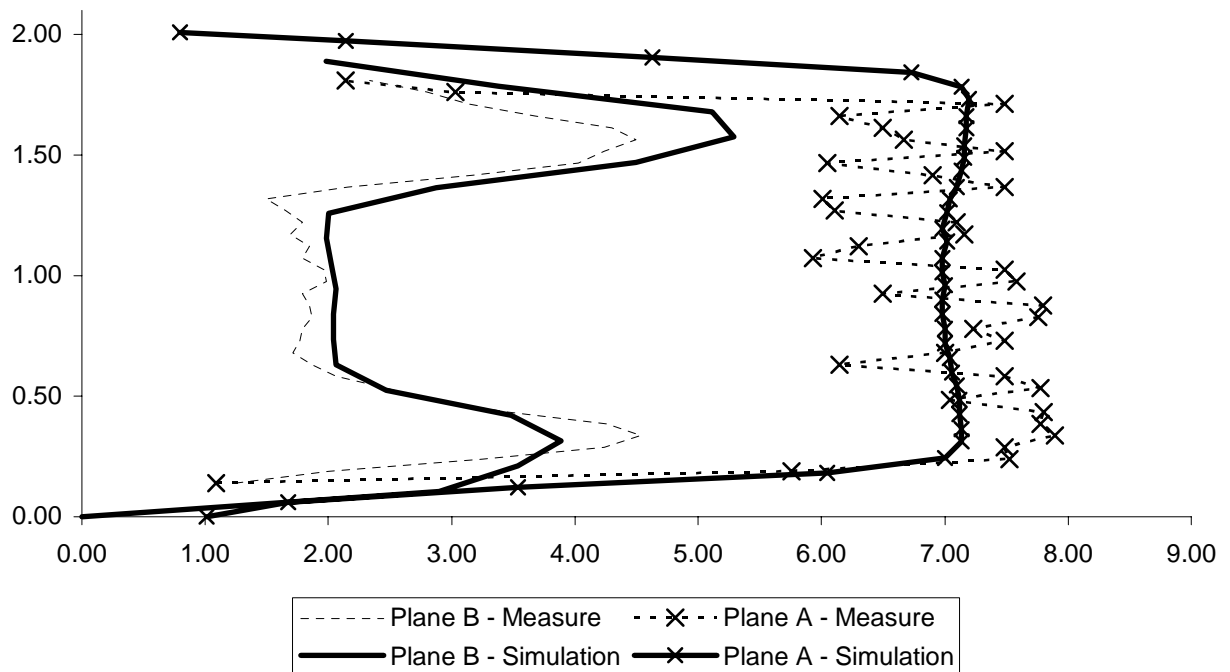


Figure 4 – Comparison between experimental and calculated velocities in front of and behind an artificial canopy.

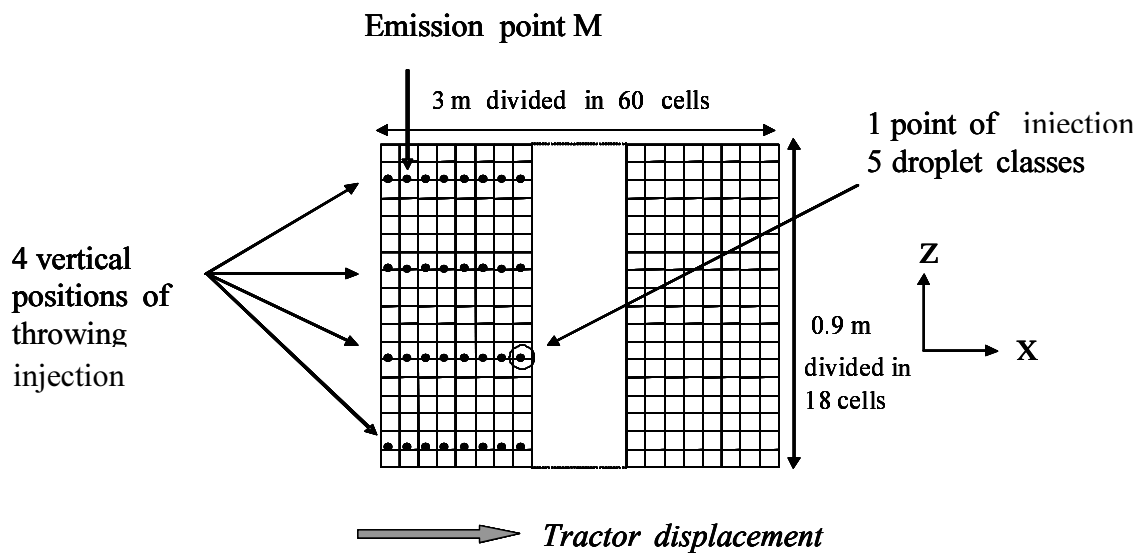


Figure 5: Injection of droplets

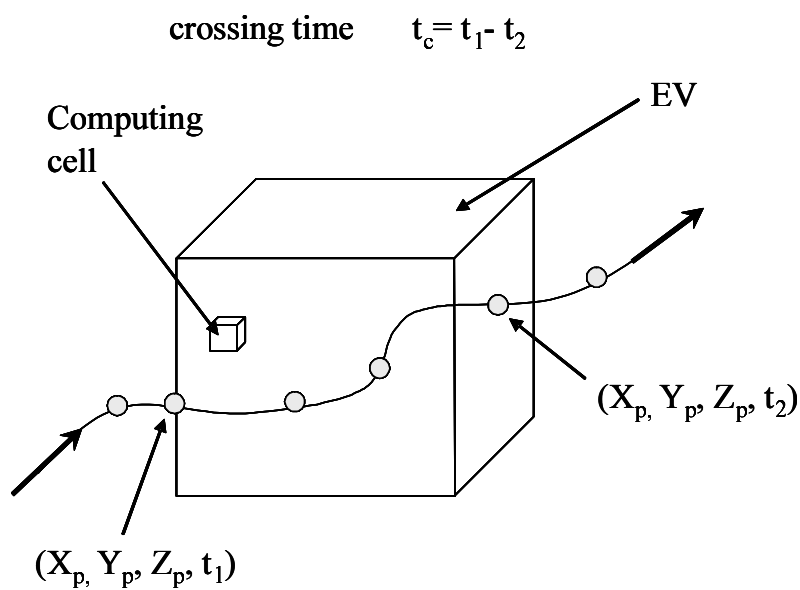


Figure 6: Droplet crossing an EV

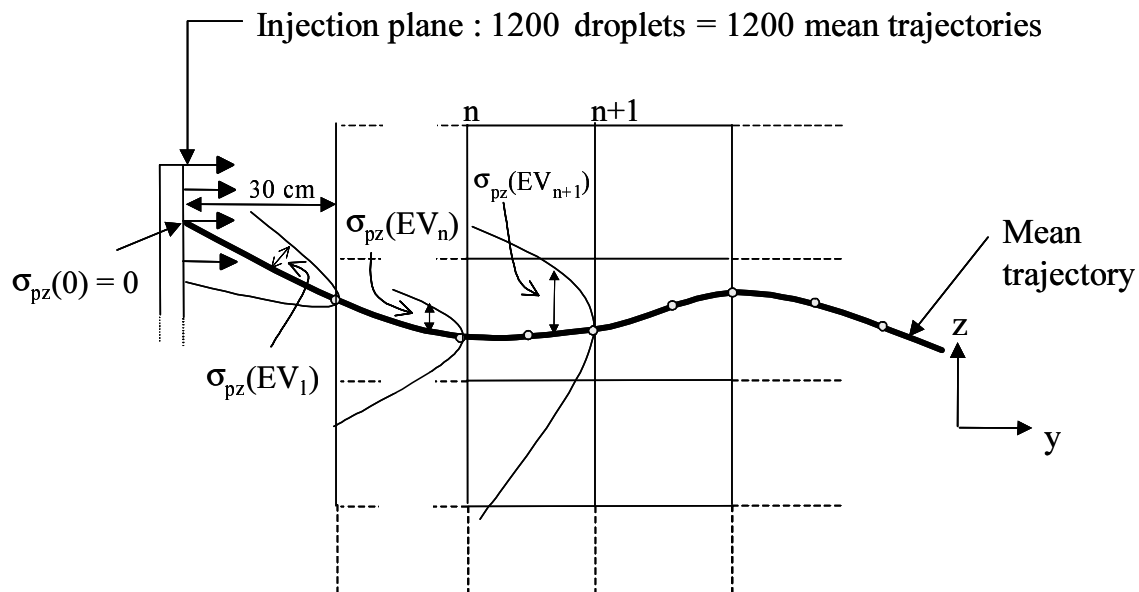


Figure 7: Droplet cloud expansion (for z component) while crossing the vegetation divided into several EV. σ_p : variance of the droplet cloud

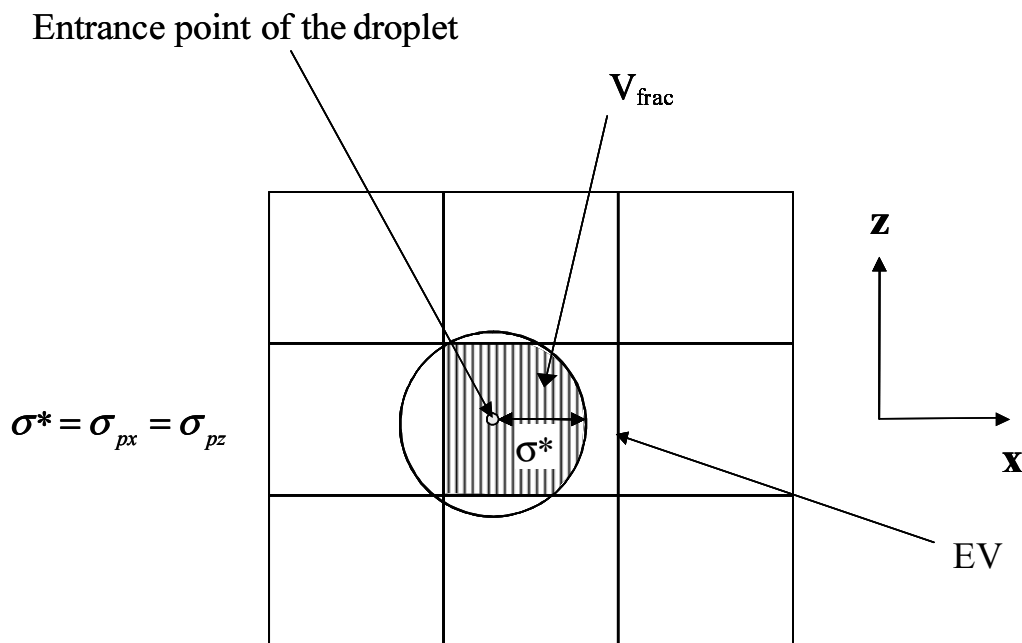


Figure 8: Fraction of the cloud entering a given EV, used for the computation of the coefficient V_{frac}

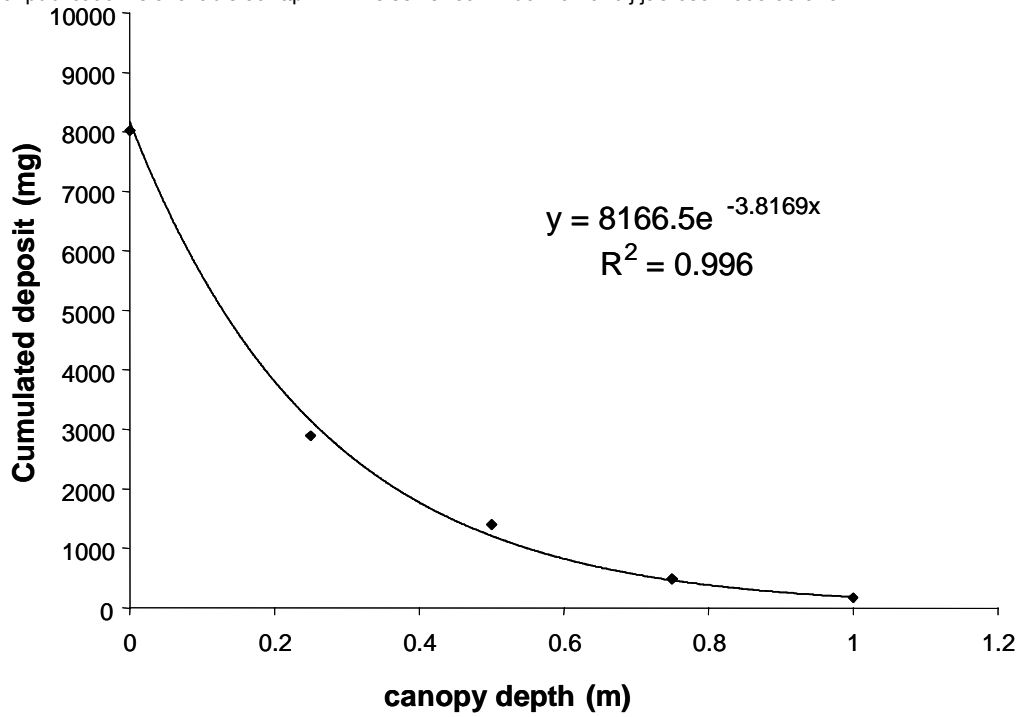


Figure 9: Modelled accumulated deposit in the canopy for a 1 metre vine row