



HAL
open science

A damage model with non-convex free energy for quasi-brittle materials

Marc Louis Maurice François

► **To cite this version:**

Marc Louis Maurice François. A damage model with non-convex free energy for quasi-brittle materials. Technische Mechanik, 2010, 30 (1-3), pp.110-121. hal-00446546

HAL Id: hal-00446546

<https://hal.science/hal-00446546>

Submitted on 12 Jan 2010

HAL is a multi-disciplinary open access archive for the deposit and dissemination of scientific research documents, whether they are published or not. The documents may come from teaching and research institutions in France or abroad, or from public or private research centers.

L'archive ouverte pluridisciplinaire **HAL**, est destinée au dépôt et à la diffusion de documents scientifiques de niveau recherche, publiés ou non, émanant des établissements d'enseignement et de recherche français ou étrangers, des laboratoires publics ou privés.

A damage model with non-convex free energy for quasi-brittle materials

Marc Francois

January 12, 2010

Abstract

A state coupling between the hydrostatic (volumetric) and deviatoric parts of the free energy is introduced in a damage mechanics model relevant for the quasi-brittle materials. It is shown that it describes the large dilatancy of concrete under compression and the different localization angles and damage levels in tension and compression. A simple isotropic description is used, although similar ideas can be extended to anisotropic damage. The model is identified with respect to tensile and compression tests and validated on bi-compression and bi-tension. Fully written in three dimensions under the framework of thermodynamics of irreversible processes, it allows further developments within a finite element code.

1 Introduction

At the ultimate state of damage, quasi-brittle materials can be regarded as granular materials whose behavior, due to grain interlock, is strongly dependent on the confinement. Classical yield criteria (Mohr-Coulomb, Drucker-Prager,...) use the confinement (the hydrostatic strain) as a reinforcement factor. But there is experimental evidence that elasticity of powder materials, thus their free energy, also depend on it [1]. That point is generally not taken into account in damage models. As a consequence, the large dilatancy observed at these states, for example on concretes [2, 3], is poorly described by classical damage models as apparent Poisson's ratio cannot exceed 0.5, the limit for linear elasticity, while experiments exhibit greater values. Another specificity of concrete behavior is the very different crack angles observed in tension and compression. In most damage models, the Hillard and Rice criterion [4, 5] leads to the same localization angle in both cases. Furthermore, for a concrete specimen, even after a rupture in tension, some carrying capacity in compression remains: this implies a damage level at the onset of localization much lower in tension than in compression. The present model describes these effects that are generally missed by most of damage models.

This work, in continuity with [6], constitutes an attempt to use a non convex potential in the field of damage mechanics. For this reason, a simple isotropic

dam age law is considered. As in the Kelvin's approach of elasticity [7], plasticity theory, soil mechanics and some damage models [8], the isotropic and deviatoric decomposition is used. The retained yield criterion [9] is smooth and convex. The model is identified with respect to the well known uniaxial and multiaxial testings of [3].

2 Constitutive law

Helmholtz free energy. The damage level is described by the scalar variable d that ranges from 0 for sound material to 1 for fully damaged material [10]. The present model is an isotropic one: the hydrostatic and deviatoric partitions of the stress $\underline{\underline{\sigma}} = \underline{\underline{\sigma}}^h + \underline{\underline{\sigma}}^d$ and the strain $\underline{\underline{\epsilon}} = \underline{\underline{\epsilon}}^h + \underline{\underline{\epsilon}}^d$ are used (details are given in Appendix A). The state variables $(\underline{\underline{\epsilon}}^d; \underline{\underline{\epsilon}}^h; d)$ describe the material's state and, with respect to the generalized standard material framework [11], the associated thermodynamic forces are respectively $(\underline{\underline{\sigma}}^d; \underline{\underline{\sigma}}^h; Y)$ where Y is the energy release rate density. The proposed free energy is:

$$\psi(\underline{\underline{\epsilon}}^d; \underline{\underline{\epsilon}}^h; d) = 3K \underline{\underline{\epsilon}}^h : \underline{\underline{\epsilon}}^h + 2(1-d)(1+2'\mu^h) \underline{\underline{\epsilon}}^d : \underline{\underline{\epsilon}}^d; \quad (1)$$

where $\mu^h = \text{tr}(\underline{\underline{\epsilon}}^h) = \frac{p}{3}$ (Appendix A). The new constant introduced is μ' , the other ones are the mass density ρ and the bulk and shear moduli, respectively K and μ . The role of μ' will be detailed further but it can be already seen that it introduces a cubic term in the free energy and that setting $\mu' = 0$ leads to a simple damage model in which only the deviatoric part is affected by damage. This choice has been made in order to get rid of the unilateral effect of damage on bulk modulus (that comes from crack opening and closure) because the use of positive parts of the strain tensor induces difficulties associated with non regular free energy [12]. In Eq. 1 tensors $\underline{\underline{\epsilon}}^h$ and $\underline{\underline{\epsilon}}^d$ can be replaced by their algebraic values μ^h and ϵ^d (Appendix A).

Stress to strain relationship. The hydrostatic and deviatoric stresses, as thermodynamic forces, are obtained by differentiation of the free energy with respect to $\underline{\underline{\epsilon}}^h$ and $\underline{\underline{\epsilon}}^d$:

$$\underline{\underline{\sigma}}^h = 3K \underline{\underline{\epsilon}}^h - \frac{2}{3} \rho \mu' d (\epsilon^d)^2 \underline{\underline{\mathbb{I}}}; \quad (2)$$

$$\underline{\underline{\sigma}}^d = 2(1-d)(1+2'\mu^h) \underline{\underline{\epsilon}}^d; \quad (3)$$

Setting $d = 0$ leads to recover the linear isotropic elasticity law in the Kelvin's decomposition form [7]. The deviatoric stress and strain remain collinear together (and collinear to the unitary tensor $\underline{\underline{\mathbb{D}}}$, see Appendix A). Once projected on the orthogonal tensor base $(\underline{\underline{\mathbb{I}}}; \underline{\underline{\mathbb{D}}})$, the previous expression becomes:

$$\sigma^h = 3K \mu^h - 2 \rho \mu' d (\epsilon^d)^2; \quad (4)$$

$$\sigma^d = 2(1-d)(1+2'\mu^h) \epsilon^d; \quad (5)$$

Let us suppose an imposed deviatoric strain while the hydrostatic strain remains equal to zero (isochoric transformation) then a coning pressure ($\sigma^h < 0$) is

necessary to keep the volume unchanged:

$$\epsilon^h (\epsilon^h = 0; \epsilon^d) = 2 \sqrt{d} (\epsilon^d)^2; \quad (6)$$

Let us suppose now that the deviatoric strain is joined with an hydrostatic stress imposed equal to zero then an induced dilatation $\epsilon^h > 0$ arises:

$$\epsilon^h (\epsilon^h = 0; \epsilon^d) = \frac{2 \sqrt{d} (\epsilon^d)^2}{1 - d}; \quad (7)$$

These two aspects are relevant to the dilatancy effect in concrete-like materials. The micro-mechanical point of view associated to these effects is the sum counting of concrete particles, inducing voids creation, that arises under irreversible shearing [13, 14].

Elastic tangent modulus. The tangent modulus is defined as $H = d_{\epsilon} \sigma$. In case of elastic transformation, d remains fixed, then H reduces to $H^0 = d_{\epsilon} \sigma$. From the stress to strain relations (2, 3), we have:

$$H^0 = \frac{3K}{3} \mathbb{I} \mathbb{I} + 2\tilde{I} \mathbb{I} \epsilon^d + \frac{4}{3} \sqrt{d} \epsilon^d \mathbb{I}; \quad (8)$$

$$2\tilde{I} = \frac{d}{d \epsilon^d} = 2(1 - d) \sqrt{d} \epsilon^h; \quad (9)$$

$$= \frac{4 \sqrt{d}}{3}; \quad (10)$$

In this expression \mathbb{I} is the fourth order identity whose expression in index form is $[\mathbb{I}]_{ijkl} = (\delta_{ik} \delta_{jl} + \delta_{il} \delta_{jk})/2$, the symbol \otimes refers to the tensor product and (from Eq. 5) \tilde{I} represents the apparent shear modulus. Then H^0 has the index symmetries of an elasticity tensor: $[H^0]_{ijkl} = [H^0]_{klij} = [H^0]_{ijlk}$.

Inverse stress to strain relationship. When $d \neq 0$, (the case $d = 0$ is straightforward), replacing ϵ^h in Eq. 5 by its value (Eq. 4) gives, first, ϵ^d as the solutions of a third order equation and, second, the relation between ϵ^h and ϵ^d :

$$\begin{aligned} (\epsilon^d)^3 + p \epsilon^d + q &= 0; \\ p &= \frac{2 \sqrt{d} \epsilon^h - 3K(1-d)}{4 \sqrt{d}^2 d^2}; \quad q = \frac{3K \sqrt{d}}{8 \sqrt{d}^2 d^2}; \\ \epsilon^h &= \frac{\epsilon^d + 2 \sqrt{d} (\epsilon^d)^2}{3K}; \end{aligned} \quad (11)$$

The discriminant $\Delta = (p/3)^3 + (q/2)^2$ leads to analyse from one to three real solutions. This non univocal inverse relationship would not be used in finite element calculation, but we shall have to consider these three possibilities for the semi-analytical resolutions in Sec. 5 and 6.

3 Free energy analysis

The proposed Helmholtz non convex free energy exhibits complex behavior that has to be carefully studied. Fig. 1 shows the contour plot of the free energy

defined by Eq. 1. The transformation APCZ is the compression studied in Sec. 5 and the damage value retained for the drawing is $d(C)$, the maximum reached during this transformation.

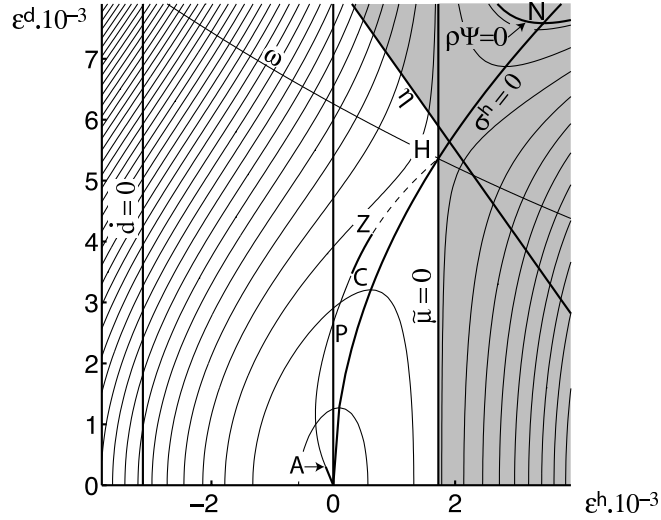


Figure 1: Iso-values of the free energy in the Ducker-Prager plane for $d=0.64$

Positivity of the free energy. It signifies that the material cannot restore more energy than has been stored inside. In linear elasticity, it is associated with the positiveness of the Kelvin's moduli ($3K > 2\mu$) and infers classic bounds for the Poisson's ratio ($-1/6 < \nu < 0.5$). In the general case, from Eq. 1 we have:

$$\nu < \frac{3K}{2\mu} \quad \text{or} \quad \nu > \frac{3K}{2\mu} \quad (12)$$

This condition corresponds to the forbidden domain inside the curve $\nu = 0$ in Fig. 1. It only exists when $\nu < 0$. It will be shown in Sec. 3 that it cannot be reached during a transformation because localization occurs at least when $\nu = 0$.

Particular lines. Lines of interest are the loci of $d = 0$ and $h = 0$. From Eq. 5 we have:

$$\nu^h = \frac{1}{2} \frac{d}{d'} \quad \text{for} \quad d = 0: \quad (13)$$

From Eq. 9, this corresponds to $\nu = 0$. On the right side of this line on Fig. 1, $\nu < 0$. The second solution for $d = 0$ is more classically $\nu^d = 0$. The locus of $h = 0$ (Fig. 1) is given by Eq. 4:

$$\nu^d = \frac{3K}{2\mu} \frac{\nu^h}{d'} \quad \text{for} \quad h = 0: \quad (14)$$

Between the deviatoric axis $\epsilon^h = 0$ and this line, $\epsilon^h > 0$ and $\epsilon^d < 0$. This represents the dilatancy effect of the model: the deviatoric strain induces dilatancy even if the material is under (moderated) pressure. The saddle point H is defined as the intersection of the two lines $\epsilon^h = 0$ and $\epsilon^d = 0$, we have:

$$\epsilon^h(H) = \frac{1}{2'} \frac{d}{d}; \quad \epsilon^d(H) = \frac{1}{2'} \frac{d}{d} \frac{3K}{(1-d)}; \quad \epsilon(H) = \frac{3K(1-d)^2}{8'2d^2}: \quad (15)$$

As $\epsilon(H) = 0$, it corresponds to an unstable free stress state with $\epsilon(H) \notin 0$. Finally, it can be easily shown that the point N, corresponding to the minimum deviatoric strain for $\epsilon = 0$ is such as: $\epsilon^h(N) = 2\epsilon^h(H)$, $\epsilon^d(N) = \frac{1}{2}\epsilon^d(H)$.

Positivity of the energy release rate. The energy release rate Y is associated with the damage d :

$$Y = \frac{d}{dd} = (1 + 2'\epsilon^h)(\epsilon^d)^2: \quad (16)$$

The thermal dissipation is $q^d = Yd$. As damage d cannot physically decrease, its positiveness implies that if Y is negative, the evolution of the damage must stop:

$$\epsilon^h < \frac{1}{2'} \Rightarrow d = 0: \quad (17)$$

In the example of Sec. 5, $' = 160$ then this condition is $\epsilon^h < 3.12 \cdot 10^{-3}$. That region, denoted as $d = 0$ on Fig. 1 corresponds to high confinements out of most practical applications (far to be reached in the presented examples); it is strongly due to the initial choice of damage acting only on the hydrostatic part. One can remark that some experiments tend to confirm the existence of a damage locking at high confinements [15].

Localization. The Hadamard and Rice criterion [4, 5] of localization authorizes the existence of a localization plane (a concentration of large strains) orthogonal to the unit vector \mathbf{n} as soon as:

$$\det(\mathbf{n} \mathbf{H} \mathbf{n}) \leq 0: \quad (18)$$

Although we still consider here elastic transformations, we assume this localization to correspond to the apparition of a macroscopic crack. Once appeared, the damage model ceases to apply as the body is split into pieces: it infers a restriction to the domain of definition of the model. Among possible vectors \mathbf{n} , we consider \mathbf{n}_I , an eigenvector of the strain deviator tensor, then $\underline{\epsilon}^d \mathbf{n}_I = \epsilon_I^d \mathbf{n}_I$, where ϵ_I^d is the corresponding eigenvalue of $\underline{\epsilon}^d$ (a principal deviatoric strain). As $\mathbf{H} = \mathbf{H}^0$ in this case, Eq. 8 give:

$$\mathbf{n}_I \mathbf{H}^0 \mathbf{n}_I = \frac{3K + \sim}{3} - 2 \epsilon_I^d \mathbf{n}_I \otimes \mathbf{n}_I + \sim \underline{\mathbf{I}}: \quad (19)$$

The determinant of this expression is:

$$\det(\mathbf{n}_I \mathbf{H}^0 \mathbf{n}_I) = \sim^2 \frac{3K + 4\sim}{3} - 2 \epsilon_I^d: \quad (20)$$

This shows that $\tilde{\sigma} = 0$ is a sufficient condition of localization. The domain (grayed) on the right side of this line in Fig. 1 will not be concerned by the possible evolutions. From Eq. 12, it always contains the domain $\tilde{\sigma} > 0$. From Eq. 63, $\sigma_I^d > \sigma_{II}^d = \frac{1}{6} > 0$, considering that K , $\tilde{\sigma}$ and σ are positive and using Eq. 9 and 10, we obtain a second sufficient condition for localization:

$$\sigma^d > \frac{3K + 4(1-d)}{4} \frac{P}{2} \sigma^h; \quad (21)$$

The corresponding line is denoted as σ^h on the Fig. 1. The localization occurs at least when a transformation reaches the lines $\tilde{\sigma} = 0$ or $\sigma^h = 0$; the domain above them (grayed) is not concerned by possible evolutions.

Other remarks about stability. The current line σ^h passes by the saddle point H. From its definition $\sigma^h = \sigma^h = \sigma^d = \sigma^d$ comes:

$$2(1-d)\sigma^d \sigma^h - 4'd\sigma^h \sigma^d = 3K\sigma^h \sigma^d - 2'd(\sigma^d)^2 \sigma^d; \quad (22)$$

This expression has no simple analytic solution and σ^h has been drawn on Fig. 1 with a steepest slope algorithm. Below σ^h , the stress tends to bring back the system to the stable original state 0; above σ^h it tends to make the system reach the domain above the line $\tilde{\sigma} = 0$ where the localization occurs. Then the domain between σ^h and $\tilde{\sigma} = 0$ can be considered as unstable, leading to an instantaneous evolution towards the lines $\tilde{\sigma} = 0$ and $\tilde{\sigma} = 0$ where the localization occurs.

4 Dissipative behaviour

Yield surface. This yield surface is based on the elastic criterion proposed

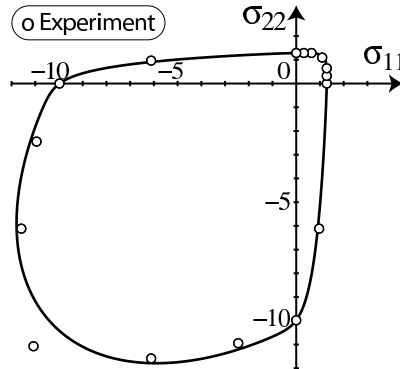


Figure 2: Initial yield surface (MPa)

by [9]. Its shape, smooth and convex, can be regarded as a softened approximation of the Von Mises and Rankine criterions. It is in good agreement with the elastic limit identified by [3] in biaxial testings (Fig. 2). The first member

corresponds to the Von Mises expression; the second one, due to a tensor exponential, grows quickly for positive values of any principal stress. The material constants are σ_y , that principally rules the limit stress in compression and σ_0 , that strongly influences the tension to compression stress ratio. The functions $g(d)$ and $h(d)$, with $g(0) = h(0) = 1$, are hardening functions (whose detailed expressions are given by Eq. 47 and 48).

$$f(\underline{\sigma}; d) = \frac{\sqrt{\frac{1}{2} \text{tr}(\underline{\sigma}^d \underline{\sigma}^d)}}{g(d)} + \frac{\sigma_0}{h(d)} \exp\left(\frac{\sigma_0}{\sigma_y} \frac{P}{3}\right) \quad (23)$$

Naming $(\sigma_I; \sigma_{II}; \sigma_{III})$ the eigenvalues of the stress tensor and considering sound material ($d = 0$), this criterion writes:

$$f(\sigma_I; \sigma_{II}; \sigma_{III}; d = 0) = \frac{\sqrt{\frac{1}{3} \left[(\sigma_{II} - \sigma_{III})^2 + (\sigma_{III} - \sigma_I)^2 + (\sigma_I - \sigma_{II})^2 \right]}}{\sigma_0 \exp\left(\frac{2\sigma_I}{\sigma_0}\right) + \exp\left(\frac{2\sigma_{II}}{\sigma_0}\right) + \exp\left(\frac{2\sigma_{III}}{\sigma_0}\right)} \frac{P}{3} \quad (24)$$

The identification of $(\sigma_0; \sigma_y)$ is done with respect to the measured elastic limit stresses $\sigma^c = 9.98 \text{ MPa}$ in pure compression and $\sigma^t = 1.29 \text{ MPa}$ in pure tension. The difference $f(\sigma^t; 0; 0; 0) - f(\sigma^c; 0; 0; 0)$ gives:

$$\frac{\sigma_0}{\sigma_0} \exp\left(\frac{2\sigma^t}{\sigma_0}\right) + 2 + \frac{\sigma^t}{\sigma_0} \frac{P}{3} = \frac{\sigma_0}{\sigma_0} \exp\left(\frac{2\sigma^c}{\sigma_0}\right) + 2 + \frac{\sigma^c}{\sigma_0} \frac{P}{3} \quad (25)$$

This equation accepts a numeric resolution given by the intersection of the two functions of σ_0 that correspond to left and right members. This intersection is unique because each one is monotonic. The value of σ_y is obtained from $f(\sigma^t; 0; 0; 0) = 0$ or $f(\sigma^c; 0; 0; 0) = 0$. Numerical values of $(\sigma_0; \sigma_y)$ are reported in table (1).

Tangent modulus and evolution equation. In case of dissipative transformation, the consistency equation $df(\underline{\sigma}; d) = 0$ and the differential of $f(\underline{\sigma}; d)$ give the damage evolution dd :

$$dd = \frac{\partial f}{\partial d} + \frac{\partial f}{\partial \underline{\sigma}} : \frac{\partial \underline{\sigma}}{\partial d} = \frac{\partial f}{\partial \underline{\sigma}} : H^0 : d\underline{\sigma} \quad (26)$$

and the expression of the tangent modulus $H = d\underline{\sigma} = d\underline{\sigma}$:

$$H = I + \frac{\partial f}{\partial d} \frac{\partial \underline{\sigma}}{\partial d} \frac{\partial f}{\partial \underline{\sigma}} : H^0 \quad (27)$$

The inverse of the fourth rank tensor can easily be obtained in a convenient tensorial base [7] as the inverse of a 6x6 square matrix. The involved derivatives

are obtained without difficulty from Eq. 2, 3 and 23:

$$\frac{\partial f}{\partial d} = \frac{j_1^d j_2^0(d)}{g^2(d)} - \frac{h^0(d)}{h^2(d)} \exp\left(\frac{p}{3}\right); \quad (28)$$

$$\frac{\partial f}{\partial \underline{\epsilon}} = \frac{1}{g(d) j_1^d j_2} + \frac{1}{h(d) j_2 \exp(\frac{p}{3})}; \quad (29)$$

$$\frac{\partial \underline{\epsilon}}{\partial d} = \frac{2}{3} \frac{1}{(1 + 2 \nu^h) \underline{\epsilon}^d}; \quad (30)$$

The elasticity equations (2, 3), the yield condition (23) and the evolution equations (26 to 30) constitute the set that is required for the use of the model within a FEM code.

5 Tension and compression simulation

Stress to strain relationship. The stress tensor expresses as $\underline{\sigma} = \sigma \underline{e}_1 \otimes \underline{e}_1$. Due to the isotropy of both the material and the model, the strain tensor writes:

$$\underline{\epsilon} = \begin{pmatrix} \epsilon & 0 & 0 \\ 0 & \sim \epsilon & 0 \\ 0 & 0 & \sim \epsilon \end{pmatrix}; \quad (31)$$

where ϵ is the unidimensional strain and \sim the apparent Poisson's ratio. Using the projection equations (57, 58) and denoting $\underline{D} = \underline{\epsilon}^d = j_1^d j_2$ (see Appendix A), we have:

$$\underline{D} = \begin{pmatrix} \frac{2}{3} \frac{p}{6} & 0 & 0 \\ 0 & \frac{1}{3} \frac{p}{6} & 0 \\ 0 & 0 & \frac{1}{3} \frac{p}{6} \end{pmatrix}; \quad (32)$$

$$\nu^h = \frac{1}{3} \frac{2 \sim}{p} \epsilon; \quad \epsilon^d = \frac{2}{3} j^r (1 + \sim) j; \quad (33)$$

Using these equations in Eq. 4 and 5 leads to two expressions for the stress to strain relationship:

$$\sigma = 3K (1 - 2 \sim) \epsilon \frac{4}{3} \frac{1}{p} \frac{d}{d} (1 + \sim)^2 \epsilon^2; \quad (34)$$

$$\sigma = 2 \frac{1}{3} \frac{d}{d} \frac{1}{p} \frac{2 \sim}{3} \epsilon (1 + \sim) \epsilon; \quad (35)$$

Eliminating σ between them gives a second order equation in \sim :

$$\sim^2 \frac{12}{3} \frac{1}{p} \frac{d}{d} \epsilon + \sim (2 (1 - d) + 6K + \frac{12}{3} \frac{1}{p} \frac{d}{d} \epsilon) + 2 (1 - d) 3K = 0; \quad (36)$$

Eq. 34 or 35 gives from zero to two solutions for a given strain ϵ (these solutions correspond to different values of \sim , then to different strain tensors $\underline{\epsilon}$).

Dissipative transformations equations. The yield function (23) becomes:

$$f(\sigma; d) = \frac{r}{3} \frac{j_j}{g(d)} + \frac{\sigma_0}{h(d)} \exp \left[\frac{2}{\sigma_0} + 2 \left(\frac{p}{3} \right)^{\frac{1}{2}} \right] \quad (37)$$

As in the general 3D case, from the differential of $f(\sigma; d)$ and the consistency equation $df(\sigma; d) = 0$ is obtained the stress to strain differential relationship:

$$d \left(\frac{\partial f}{\partial d} + \frac{\partial f}{\partial \sigma} \frac{\partial \sigma}{\partial d} \right) = \frac{\partial f}{\partial d} \frac{\partial \sigma}{\partial d} d'' \quad (38)$$

From Eq. 37 we have:

$$\frac{\partial f}{\partial \sigma} = \frac{r}{3} \frac{\text{sign}(\sigma)}{g(d)} + \frac{\exp \left[\frac{2}{\sigma_0} \right]}{h(d) \left(2 + \exp \left[\frac{2}{\sigma_0} \right] \right)} \quad (39)$$

$$\frac{\partial f}{\partial d} = \frac{r}{3} \frac{j_j \dot{g}(d)}{g^2(d)} + \frac{\sigma_0 h^0(d)}{h^2(d) \left(2 + \exp \left[\frac{2}{\sigma_0} \right] \right)^{\frac{p}{3}}} \quad (40)$$

From the stress to strain relationship (Eq. 34,35 and 36), the following derivatives, in which $\partial \sigma = \partial''$ is the tangent Young modulus and ∂'' the discriminant (in Eq. 36), are obtained:

$$\frac{\partial \sigma}{\partial \sigma''} = 3K(1 - 2\sim) \frac{8}{p-3} \sigma' d(1 + \sim)^2 \sigma'' - 3K + \frac{4}{p-3} \sigma' d(1 + \sim) \sigma'' - 2 \frac{\partial \sim}{\partial \sigma''} \quad (41)$$

$$\frac{3}{2} \frac{\partial \sigma}{(1 + \sim) \partial d} = \frac{2'}{p-3} - 2 \frac{\partial \sim}{\partial \sigma''} (1 + 2\sim (1 + \sim) \sigma'' - 1 + 2' \frac{1}{p-3} \sigma'' - 2(1 + \sim) + 2 \frac{\partial \sim}{\partial \sigma''} \quad (42)$$

$$2 \frac{\partial \sim}{\partial \sigma''} = (1 + 2\sim) \frac{2(1 - d) + 12 \sigma' d \sigma'' = \frac{p-3}{p-3}}{p-3} \quad (43)$$

Localization in tension and compression. In the tension or compression state, the axis 1 is the symmetry axis. As axis 2 and 3 have an equivalent role, we can define with no restriction \mathbf{n} in the plane $[\mathbf{e}_1; \mathbf{e}_2]$ as: $\mathbf{n} = \cos(\theta) \mathbf{e}_1 + \sin(\theta) \mathbf{e}_2$. For dissipative transformations, the general equations of Sec. 4 allow to compute $\det(\mathbf{n} \cdot \mathbf{H} \cdot \mathbf{n})$ numerically by searching its minimum value with respect to θ . The non convex potential authorizes possible localization during elastic transformations. From Eq. 8 we have:

$$\mathbf{n} \cdot \mathbf{H} \cdot \mathbf{n} = \frac{2}{4} \frac{b + (a + 4c) \cos^2(\theta) + (a + c) \sin(\theta) \cos(\theta)}{(a + c) \sin(\theta) \cos(\theta) + b + (a - 2c) \sin^2(\theta)} \frac{0}{0} \frac{3}{0^5}; \quad (44)$$

$$a = K + \frac{r}{3} (1 - d) \frac{2}{p-3} \sigma' d(1 - 2\sim) \sigma''; \quad b = (1 - d) \frac{2}{p-3} \sigma' d(1 - 2\sim) \sigma''; \quad c = \frac{4}{3} \frac{r}{p-3} \sigma' d(1 + \sim) \sigma'' \quad (45)$$

Identification. The identification of the Young Modulus $E = 31.2 \text{ GPa}$ and the Poisson's ratio $\nu = 0.162$ being very classic, they will not be detailed; the corresponding bulk and shear moduli (K ; μ) are given in table (1). The procedure of identification of $(\sigma_0; \gamma)$ is given in Sec. 4. Eliminating d between Eq. 34 and 35 gives the following expression that can be used with the experimental data in order to determine σ' :

$$\sigma' = \frac{p}{3} \frac{3K(1-\nu)^2}{2(3K(1-\nu)^2 + 2\mu(1+\nu)^2 + \nu)} : \quad (46)$$

The hardening functions $g(d)$ and $h(d)$ are identified with respect to the transformation AC (see Fig. 3). Their structure has been chosen in order to have a smooth transition at the yielding point A.

$$g(d) = 1 + g_0 \frac{p}{d}; \quad (47)$$

$$h(d) = 1 - d + h_0 \left(\frac{p}{d} - d \right); \quad (48)$$

Table 1: Material constants

K		γ	σ_0	σ'	g_0	h_0
15.4	13.4	8.004	0.4551	160	3.00	160
(GPa)	(GPa)	(MPa)	(MPa)			

Uniaxial compression simulation. The set of equations (31 to 43) defines the strain driven compression and tension curves (Fig. 3 and 4), allowing the comparison with Kupfer's data (circles). The compression starts by the linear elastic transformation OA, with $d = 0$. The material begins to yield at point A where $\sigma(A) = \sigma_0$. The transformation ABC corresponds to the damage growth, up to point C where $d(C) = 0.64$. The localization criterion is never reached during ABC. At point P, $\nu = 0.5$: the material begins to dilate. Unloadings such as OBO for $d = 0.5$ and OCC for $d = 0.64$ reveal weak nonlinear elasticity: it can be noticed that the curvature of OC (the tangent modulus decreases as the load increases) is qualitatively in good agreement with the experiments of [16] for example. Of course hysteresis loops or permanent strains are not described by the present simple form of the model that does not take into account plasticity effects. Point C corresponds to a horizontal slope for the transformation. Then $d = 0$ and, as the value of $\partial f / \partial d \neq 0$ at this point, Eq. 38 shows that $\partial \sigma / \partial \sigma = 0$: the elastic transformation OCZ has also a horizontal tangent at point C. After C, $\partial \sigma / \partial \sigma < 0$, the transformation CZ is a non linear elastic softening. The damage remains fixed at $d(C)$. From some point just before Z, an unloading follows the unrealistic elastic transformation ZCO (this aspect of the model remains to be enhanced). At point Z the localization condition relative to the elastic transformations (Eq. 45), is reached and this point is close to the

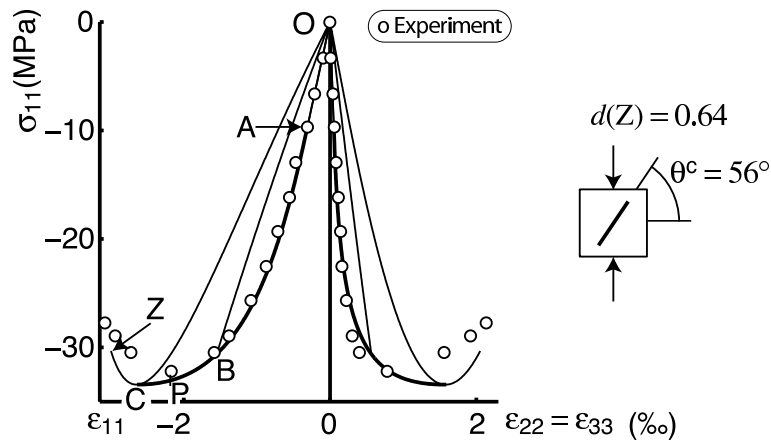


Figure 3: Uniaxial compression simulation

experimental breakdown point identified by Kupfer (although this value has not been used during the identification process). The continuation of the elastic transformation after Z is, for information, drawn on Fig. 1; as σ^h and σ^d are dependent upon σ by Eq. 33, they become simultaneously equal to zero at the saddle point H. The localization arises at point Z for the angle $\theta^c = 56$ degrees: the crack plane is rather close to the load axis e_1 , as classically observed in experiments. The apparent Poisson's ratio ν reaches 0.70 at the point Z and this large value, that cannot be reached by a classic damage model, is responsible of the good description of the transverse strain.

Uniaxial tension simulation. The tension curve (Fig. 4) is also referred to points A, B, C, Z whose roles are similar to the ones used in compression. The yielding occurs at point A, at the identified value σ^t that is, according to Kupfer and confirmed by [17], less than the half of the peak stress: this result is different from the classic vision of a fragile behavior in tension. At point C', $\partial f / \partial d = 0$ then (from Eq. 38) the slope is horizontal. It is not reached because the localization occurs before, at point Z, during the dissipative transformation. If [17] describes a post-peak evolution, Kupfer does not, neither this model with the retained constants. A gain, although not used in the identification process, the stress $\sigma(Z)$ is close to the experimental value. The angle of localization at point Z is $\theta^t = 27$ degrees, leading to a crack plane rather close to be orthogonal to the tensile axis e_1 , as commonly observed (moreover most of damage models suppose a crack at 0 degree). The lateral strain, due to low damage values, remains very small, consistently with experiments. The damage value at the localization point $d(Z) = 0.22$ is weak: although isotropic, this model allows to have a rupture in tension and to keep a loading capacity in compression.

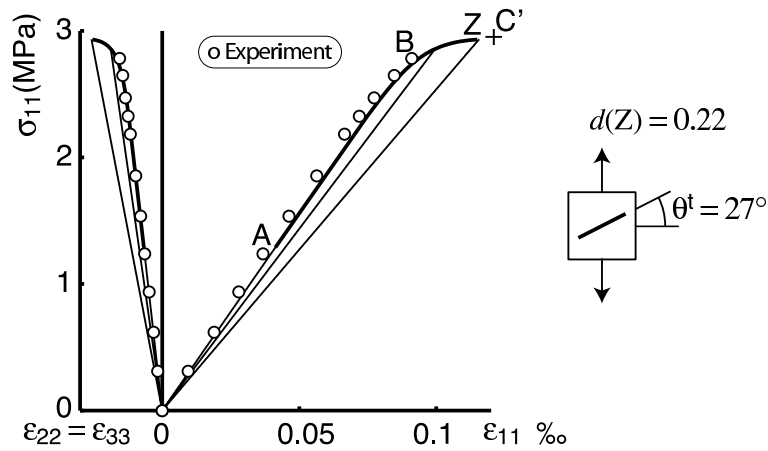


Figure 4: Uniaxial tension simulation

6 Equibiaxial simulations

In this section we consider an equibiaxial loading (strain driven) in order to validate the model with the constants identified in tension and compression. The stress tensor is $\underline{\sigma} = (\sigma_2 \mathbf{e}_2 + \sigma_3 \mathbf{e}_3)$. Due to the initial isotropy of both the material and the model, the strain tensor writes:

$$\underline{\epsilon} = \begin{pmatrix} \hat{\epsilon} & 0 & 0 \\ 0 & \epsilon & 0 \\ 0 & 0 & \epsilon \end{pmatrix}; \quad (49)$$

with $\epsilon \geq 0$. The projection equations (57, 58) give:

$$\underline{D} = \begin{pmatrix} \text{sign}(\epsilon(1 + \hat{\epsilon})) \frac{2\epsilon}{3} & 0 & 0 \\ 0 & \frac{2\epsilon}{3} & 0 \\ 0 & 0 & \frac{2\epsilon}{3} \end{pmatrix}; \quad (50)$$

$$\mathbf{m}^h = \frac{2}{3} \hat{\epsilon} \mathbf{j}; \quad \mathbf{m}^d = \frac{2}{3} \mathbf{j} (1 + \hat{\epsilon}) \mathbf{j}; \quad (51)$$

Using these equations in Eq. 4 and 5 gives two expressions for the stress to strain relationship:

$$\sigma = \frac{3K}{2} (2 + \hat{\epsilon}) \epsilon - \frac{2}{3} \frac{d}{3} (1 + \hat{\epsilon})^2 \epsilon^2; \quad (52)$$

$$\sigma = 2 \frac{1}{3} d - 2 \frac{d}{3} \frac{2}{3} \hat{\epsilon} \epsilon (1 + \hat{\epsilon}) \epsilon; \quad (53)$$

Eliminating σ_{33} gives the following second order equation which accepts from zero to two solutions in σ_{11} :

$$\frac{1}{2} \sigma_{11}^2 + \frac{3K}{2} \sigma_{11} + 2(1-d) \frac{3K}{2} \sigma_{11} - \frac{3K}{2} \sigma_{11}^2 = 0: \quad (54)$$

Other calculi are similar to the previous case.

Equi-biaxial compression simulation. Directly dependent upon the

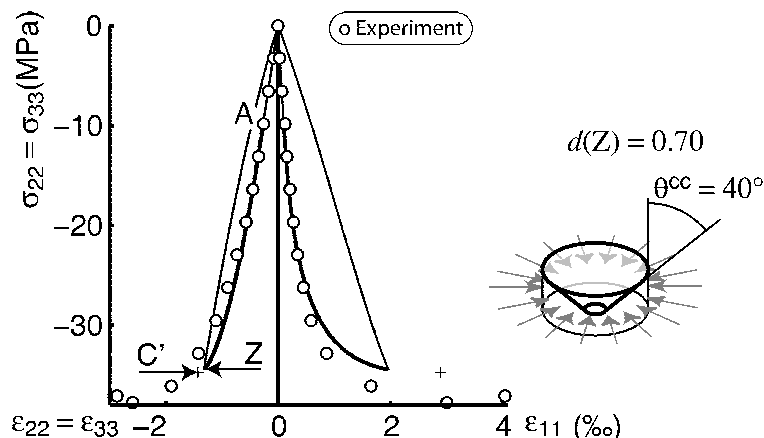


Figure 5: Equi-biaxial compression simulation

yield surface, the yield point A (Fig. 5) is well depicted. The damage increases during transformation AZ up to $d(Z) = 0.70$, this value being greater than the maximum one obtained in uniaxial compression. At point Z, (which is before the point C' where $\partial f = \partial d = 0$) the localization condition for dissipative transformations (Eq. 18) is reached. The localization angle is $\theta^{cc} = 40$ degrees, consistently with Kupfer's post mortem picture. The conical crack shape in Fig. 5 has been chosen in order to respect the symmetry axis of the problem. Without contradiction, the observed structure is pyramidal, this shape allowing the kinematics of the concrete pieces. The localization appears too quickly and the large dilatancy is a little overestimated. Moreover, this post peak region differs according to different experimental methods and concretes: for example the high strength concrete tested by [18] exhibits no post peak.

Equi-biaxial tension simulation. The part before the peak stress is in good agreement with the experiments for both axial and lateral strains (Fig. 6). Contrary to experiments, a dissipative post-peak evolution CZ is described (it represents a minor problem compared to the elastic transformation CZ in the uniaxial compression case). The damage $d(Z) = 0.67$ at ultimate point reaches about the same value than in biaxial tension. The localization angle $\theta^{tt} = 12.6$ degrees obtained in this case involves cracks approximately orthogonal to the load directions, very consistent with Kupfer's post mortem pictures. Again, the

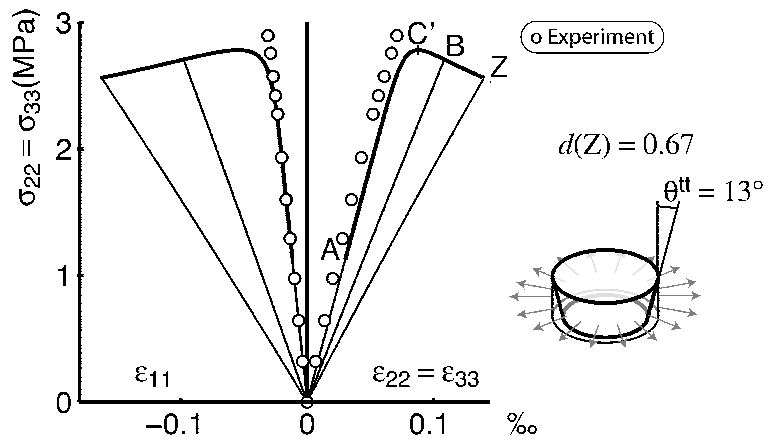


Figure 6: Equibiaxial tension simulation

conical shape is only the representation of the symmetry of the problem as the model only defines the angle of the crack, not its shape.

7 Conclusions

This study shows that the simple coupling introduced between the hydrostatic and deviatoric parts of the strain in the free energy leads to a number of consequences, even if the primary effect, the non linear elasticity, slightly influences the shape of the elastic discharges. The important dilatancy of the concrete at ultimate stages is well depicted. The localization criterion is used as an indicator of the creation of a macroscopic crack, it applies at stress and strain levels that are quite consistent with experiments. The damage value predicted at localization in pure tension remains small, letting to the material some load bearing capacity, for example for further compression. The crack angle given by the localization condition is different in tension and compression and consistent with observations.

The description of these effects constitutes an improvement with respect to most of available damage models of comparable complexity (five constants are used). They are particularly relevant when, as in earthquake engineering, the response of a concrete structure under severe conditions is considered. The global structure of the model and its embedding thermodynamic framework, opens the way to numerical implementation within a finite element code.

The introduction of a plasticity formalism [19, 20] would help to describe missing effects such as hysteresis loops and permanent strains and to correct some irrelevant post-peak responses. The hydrostatic part of the free energy could be affected by damage in order to extend the field of application of the model to coned states and avoid the damage locking condition present in the actual form. The three-dimensional stress to strain relationship is univocal, however the inverse one is not: interesting theoretical analysis can be done on stress driven loadings as they may involve multiphased states (this refers to the work of [21] in elasticity and [22, 23] in plasticity).

Appendices

A Tensorial formalism

For any symmetric second order tensor \underline{A} the hydrostatic and deviatoric parts are denoted respectively by \underline{A}^h and \underline{A}^d . The hydrostatic part is obtained by the projection onto the normed hydrostatic tensor $\underline{\mathbb{I}} = \frac{\underline{\mathbb{I}}}{3}$ (where $\underline{\mathbb{I}}$ is the identity tensor).

$$\underline{A} = \underline{A}^h + \underline{A}^d \quad (55)$$

$$\underline{A}^h = \underline{A} : \frac{\underline{\mathbb{I}}}{3} \frac{\underline{\mathbb{I}}}{3} \quad (56)$$

The symbol ":" denotes the double contraction i.e. $\underline{A} : \underline{\mathbb{I}} = A_{ij} \mathbb{I}_{ji} = \text{tr}(\underline{A})$. In this model, the deviatoric parts $\underline{\epsilon}^d$ and $\underline{\sigma}^d$ (of the Cauchy stress $\underline{\sigma}$ and the infinitesimal strain $\underline{\epsilon}$) will remain collinear but may be a priori of opposite

directions. We choose to define this direction with respect to the normed tensor \underline{D} given by:

$$\underline{D} = \frac{\underline{n}^d}{\|\underline{n}^d\|} \quad (57)$$

The norm used is the euclidean natural one i.e. $\|\underline{A}\| = \sqrt{A_{ij}A_{ij}}$. The algebraic values $(\underline{n}^h; \underline{n}^d; h; d)$ are defined as:

$$\underline{n}^h = \underline{n} : \underline{P} = \frac{\underline{I}}{3}; \quad h = \underline{n} : \underline{P} = \frac{\underline{I}}{3}; \quad \underline{n}^d = \underline{n} : \underline{D}; \quad d = \underline{n} : \underline{D} \quad (58)$$

One can remark that \underline{n}^d is positive but d can a priori either be positive or negative. These projections are known under the names p and q where $p = \frac{h}{3}$ and $q = \frac{d}{3} = \frac{2}{3}j^d$ in soil mechanics.

B Useful property of the deviator

The sorted eigenvalues of \underline{n}^d are $(\underline{n}_I^d; \underline{n}_{II}^d; \underline{n}_{III}^d)$. From Eq. 58, we have:

$$(\underline{n}_I^d)^2 + (\underline{n}_{II}^d)^2 + (\underline{n}_{III}^d)^2 = (\underline{n}^d)^2 \quad (59)$$

$$\underline{n}_I^d + \underline{n}_{II}^d + \underline{n}_{III}^d = 0 \quad (60)$$

$$\underline{n}_I^d > \underline{n}_{II}^d > \underline{n}_{III}^d \quad (61)$$

This leads to the following expressions:

$$\underline{n}_I^d = \frac{\underline{n}_{II}^d}{2} + \frac{1}{2} \sqrt{2(\underline{n}^d)^2 - 3(\underline{n}_{II}^d)^2}; \quad \underline{n}_{III}^d = \frac{\underline{n}_{II}^d}{2} - \frac{1}{2} \sqrt{2(\underline{n}^d)^2 - 3(\underline{n}_{II}^d)^2} \quad (62)$$

As soon as \underline{n}_{II}^d evolves between its bounds $[\underline{n}_{II}^d = \frac{p}{6}; \underline{n}_{II}^d = -\frac{p}{6}]$ (given respectively by $\underline{n}_{II}^d = \underline{n}_{III}^d$ and $\underline{n}_{II}^d = -\underline{n}_I^d$), these functions are monotonic and:

$$\frac{r}{2} \underline{n}^d > \underline{n}_I^d > \frac{p}{6} \quad (63)$$

References

- [1] Anna Ouglova, Yves Berthaud, Marc Francois, and Francois Foct. Mechanical properties of ferric oxide formed by corrosion in reinforced concrete structures. *Corrosion Sci.*, 48:3988{4000, 2006.
- [2] P. Jamet, Alain Millard, and G. Nahas. Triaxial behaviour of a micro-concrete complete stress-strain for confining pressures ranging from 0 to 100 MPa. In *Proc. of Int. Conf. on Concrete under Multiaxial Conditions*, volume 1, pages 133{140, Toulouse, France, 1984. Universite Paul Sabatier.
- [3] Helmuth Kupper, Hubert K. Hilsdorf, and Hubert Rusch. Behavior of concrete under biaxial stresses. *ACI Journal*, 66:656{666, 1969.

- [4] J W Rudnicki and J Rice. Conditions for the localization of deformation in pressure-sensitive dilatant materials. *J. Mech. Phys. Solids*, 23:371{394, 1975.
- [5] Claudia Comi, Yves Berthaud, and Rene Billadon. On localization in ductile-brittle materials under compressive loadings. *Eur. J. Mech. A/Solids*, 14:19{43, 1995.
- [6] Tuan Hung Le. Contribution a la modelisation du comportement des betons. Phd thesis, Université Pierre et Marie Curie Paris VI, 2005.
- [7] J Rychlewski. On hooke's law. *Prikl. Matem. Mekhan.*, 48:420{435, 1984.
- [8] Pierre Ladeveze. On anisotropic damage theory. Failure criteria of Structured media, Proc. of the CNRS international colloquium No 351, pages 355{363, 1993.
- [9] Marc Francois. A new yield criterion for the concrete materials. *C. R. Mecanique*, DOI:10.1016/j.crm.2008.01.010:under press, 2008.
- [10] Jean Lemaitre. A Course on Damage Mechanics. Springer, Heidelberg, 1996.
- [11] Bernard Halphen and Quoc Son Nguyen. Sur les materiaux standards generalises. *Journal de Mecanique*, 14:39{63, 1975.
- [12] Pierre Bernard Badel, Vincent Godard, and Jean-Baptiste Leblond. Application of some anisotropic damage model to the prediction of the failure of some complex industrial concrete structure. *International Journal of Solids and Structures*, 44:5848{5874, 2007.
- [13] S Yazdani and H Schreyer. An anisotropic damage model with dilatation for concrete. *Mech. Materials*, 7:231{244, 1988.
- [14] Marc Francois and Gianni Royer-Carfagni. Structured deformation of damaged continua with cohesive-frictional sliding rough fractures. *Eur. J. Mech. A/Solids*, 24:644{660, 2005.
- [15] Nicolas Burlion. Compaction des betons : elements de modelisation et caracterisation experimentale. Phd thesis, ENS de Cachan, 1997.
- [16] Salah Ramtani. Contribution a la modelisation du comportement multiaxial du beton endommage avec description du caractere unilateral. Phd thesis, Université Pierre et Marie Curie Paris VI, 1990.
- [17] Michel Terrien. Acoustic emission and post-critical mechanical behaviour of a concrete under tensile stress. *Bulletin de Liaison du Laboratoire des Ponts et Chaussées*, 105:65{72, 1980.
- [18] A. Hussein and B. Marzouk. Behavior of high-strength concrete under biaxial stresses. *ACI Mat. J.*, 1:27{36, 2000.

- [19] Frederic Ragueneau, Christian La Borderie, and Jacky Mazars. Damage model for concrete like materials coupling cracking and friction, contribution towards structural damping: First uniaxial application. *J. Cohesive Frictional Mat.*, 5:607{625, 2000.
- [20] M R Salari, S Saeb, K J Williams, S J Patchet, and R C Carrasco. A coupled elastoplastic damage model for geomaterials. *Comp. Meth. Appl. Mech. Eng.*, 193:2625{2643, 2004.
- [21] J L Erksen. Equilibrium of bars. *J. Elasticity*, 5:191{202, 1975.
- [22] Maurizio Froli and Gianni Royer Carfagni. A mechanical model for the elastic-plastic behavior of metallic bars. *Int. J. Solids Struct.*, 37:3901{3918, 2000.
- [23] Giovanni Puglisi and Lev Truskinovsky. Thermodynamics of rate-independent plasticity. *J. Mech. Phys. Solids*, 53:655{679, 2005.