



HAL
open science

REAL-TIME EQUILIBRIUM RECONSTRUCTION IN A TOKAMAK

Jacques Blum, Cédric Boulbe, Blaise Faugeras

► **To cite this version:**

Jacques Blum, Cédric Boulbe, Blaise Faugeras. REAL-TIME EQUILIBRIUM RECONSTRUCTION IN A TOKAMAK. Burning Plasma Diagnostics: An International Conference, Sep 2007, Varenna, Italy. p 420-429, 10.1063/1.2905108 . hal-00414766

HAL Id: hal-00414766

<https://hal.science/hal-00414766>

Submitted on 9 Sep 2009

HAL is a multi-disciplinary open access archive for the deposit and dissemination of scientific research documents, whether they are published or not. The documents may come from teaching and research institutions in France or abroad, or from public or private research centers.

L'archive ouverte pluridisciplinaire **HAL**, est destinée au dépôt et à la diffusion de documents scientifiques de niveau recherche, publiés ou non, émanant des établissements d'enseignement et de recherche français ou étrangers, des laboratoires publics ou privés.

REAL-TIME EQUILIBRIUM RECONSTRUCTION IN A TOKAMAK

J. Blum, C. Boulbe and B. Faugeras

Laboratoire J.A. Dieudonné, UMR 6621, Université de Nice Sophia Antipolis, Parc Valrose,
06108 Nice Cedex 02, France

E-mail: jblum@unice.fr, boulbe@unice.fr, faugeras@unice.fr

Abstract. This paper deals with the numerical reconstruction of the plasma current density in a Tokamak and of its equilibrium. The problem consists in the identification of a non-linear source in the 2D Grad-Shafranov equation, which governs the axisymmetric equilibrium of a plasma in a Tokamak. The experimental measurements that enable this identification are the magnetics on the vacuum vessel, but also polarimetric and interferometric measures on several chords, as well as motional Stark effect or pressure measurements. The reconstruction can be obtained in real-time using a finite element method, a non-linear fixed-point algorithm and a least-square optimization procedure.

1. Introduction

The problem of the equilibrium of a plasma in a Tokamak is a free boundary problem in which the plasma boundary is defined either by its contact with a limiter or as being a magnetic separatrix. Inside the plasma, the equilibrium equation in an axisymmetric configuration is called Grad-Shafranov equation [1, 2, 3]. The right-hand side of this equation is a non-linear source which represents the toroidal component of the plasma current density.

An important problem is the identification of this non-linearity [4, 5, 6]. The aim of this paper is to present a method for real-time identification from experimental measurements, such as magnetic measurements on the vacuum vessel, polarimetric measurements (integrals of the magnetic field over several chords), MSE (Motional Stark Effect) and pressure measurements. The pressure is supposed to be isotropic. For the anisotropic pressure case, one can refer to [7].

The next section is devoted to the mathematical modelling of the equilibrium problem in axisymmetric configurations. The inverse reconstruction problem is addressed in the last section.

2. Mathematical modelling of axisymmetric equilibrium of the plasma in a Tokamak

The equations which govern the equilibrium of a plasma in the presence of a magnetic field are on the one hand Maxwell's equations and on the other hand the equilibrium equations for the plasma itself.

The magnetostatic Maxwell's equations as follows are satisfied in the whole of space (including the plasma):

$$\begin{cases} \nabla \cdot B & = 0 \\ \nabla \times \left(\frac{B}{\mu}\right) & = j \end{cases} \quad (1)$$

where B represents the magnetic field, μ is the magnetic permeability and j is the current density. The first relation of (1) is the equation of conservation of magnetic induction and the second one is Ampere's Theorem.

The momentum equation for a plasma is

$$\rho \frac{du}{dt} = j \times B - \nabla p \quad (2)$$

where u represents the mean velocity of particles and ρ the mass density. At the resistive time-scale the first term can be neglected [8] and the equilibrium equation for the plasma is

$$\nabla p = j \times B \quad (3)$$

This equation (3) means that the plasma is in equilibrium when the force ∇p due the kinetic pressure p is equal to the Lorentz force of the magnetic pressure $j \times B$. We deduce immediately from (3) that

$$B \cdot \nabla p = 0 \quad (4)$$

$$j \cdot \nabla p = 0 \quad (5)$$

Thus for a plasma in equilibrium the field lines and the current lines lie on isobaric surfaces ($p = \text{const.}$); these surfaces, generated by the field lines, are called magnetic surfaces. In order for them to remain within a bounded volume of space it is necessary that they have a toroidal topology. These surfaces form a family of nested tori. The innermost torus degenerates into a curve which is called the magnetic axis.

In a cylindrical coordinate system (r, z, ϕ) (where $r = 0$ is the major axis of the torus) the hypothesis of axial symmetry consists in assuming that the magnetic field B is independent of the toroidal angle ϕ . The magnetic field can be decomposed as $B = B_p + B_\phi$, where $B_p = (B_r, B_z)$ is the poloidal component and B_ϕ is the toroidal component. From equation (1) one can define the poloidal flux $\psi(r, z)$ such that

$$\begin{cases} B_r & = -\frac{1}{r} \frac{\partial \psi}{\partial z} \\ B_z & = \frac{1}{r} \frac{\partial \psi}{\partial r} \end{cases} \quad (6)$$

Concerning the toroidal component B_ϕ we define f by

$$B_\phi = \frac{f}{r} e_\phi \quad (7)$$

where e_ϕ is the unit vector in the toroidal direction, and f is the diamagnetic function. The magnetic field can be written as:

$$\begin{cases} B & = B_p + B_\phi \\ B_p & = \frac{1}{r} [\nabla \psi \times e_\phi] \\ B_\phi & = \frac{f}{r} e_\phi \end{cases} \quad (8)$$

According to (8), in an axisymmetric configuration the magnetic surfaces are generated by the rotation of the flux lines $\psi = \text{const.}$ around the axis $r = 0$ of the torus.

From (8) and the second relation of (1) we obtain the following expression for j :

$$\begin{cases} j &= j_p + j_\phi \\ j_p &= \frac{1}{r}[\nabla(\frac{f}{\mu}) \times e_\phi] \\ j_\phi &= (-\Delta^*\psi)e_\phi \end{cases} \quad (9)$$

where j_p and j_ϕ are the poloidal and toroidal components respectively of j , and the operator Δ^* is defined by

$$\Delta^* \cdot = \frac{\partial}{\partial r} \left(\frac{1}{\mu r} \frac{\partial \cdot}{\partial r} \right) + \frac{\partial}{\partial z} \left(\frac{1}{\mu r} \frac{\partial \cdot}{\partial z} \right) \quad (10)$$

Expressions (8) and (9) for B and j are valid in the whole of space since they involve only Maxwell's equations and the hypothesis of axisymmetry.

In the plasma region, relation (4) implies that ∇p and $\nabla \psi$ are colinear, and therefore p is constant on each magnetic surface. This can be denoted by

$$p = p(\psi) \quad (11)$$

Relation (5) combined with the expression (9) implies that ∇f and ∇p are colinear, and therefore f is likewise constant on each magnetic surface

$$f = f(\psi) \quad (12)$$

The equilibrium relation (3) combined with the expression (8) and (9) for B and j implies that:

$$\nabla p = -\frac{\Delta^*\psi}{r} \nabla \psi - \frac{f}{\mu_0 r^2} \nabla f \quad (13)$$

which leads to the so-called Grad-Shafranov equilibrium equation:

$$-\Delta^*\psi = rp'(\psi) + \frac{1}{\mu_0 r} (ff')(\psi) \quad (14)$$

where Δ^* is the linear elliptic operator given by (10) in which μ is equal to the magnetic permeability μ_0 of the vacuum.

From (9) it is clear that right-hand side of (14) represents the toroidal component of the plasma current density. It involves functions $p(\psi)$ and $f(\psi)$ which are not directly measured inside the plasma.

In the vacuum, the magnetic flux ψ satisfies

$$-\Delta^*\psi = 0 \quad (15)$$

The equilibrium of a plasma in a domain Ω representing the vacuum region is a free boundary problem. The plasma free boundary is defined either by its contact with a limiter D (outermost flux line inside the limiter) or as being a magnetic separatrix (hyperbolic line with an X -point, X). The region $\Omega_p \subset \Omega$ containing the plasma is defined as

$$\Omega_p = \{x \in \Omega, \psi(x) \geq \psi_b\} \quad (16)$$

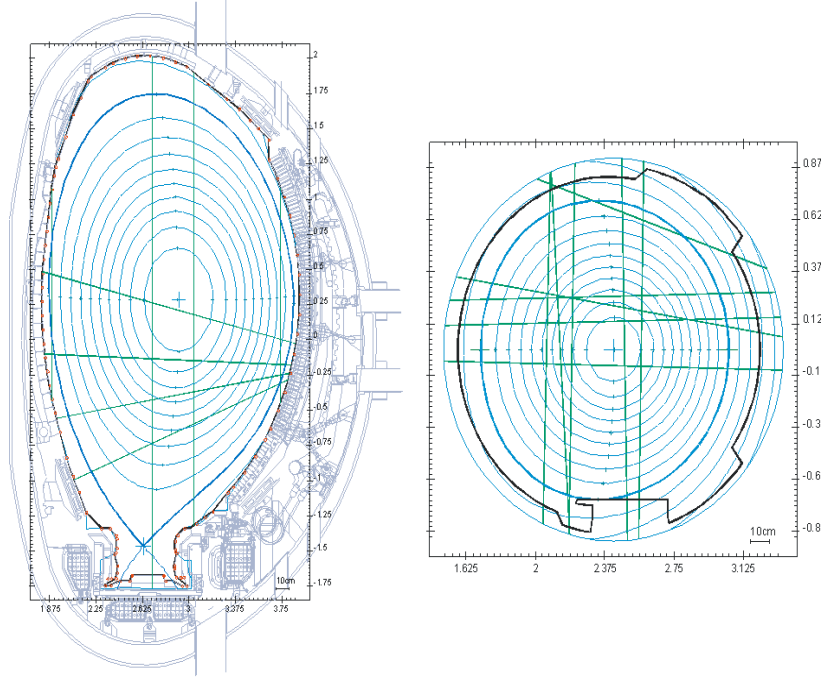


Figure 1. Definition of the plasma boundary (thick blue line). Left, JET (Joint European Torus) example, X-point configuration. Right, TORE SUPRA (the CEA-EURATOM Tokamak at Cadarache) example, limiter configuration (the limiter is represented by the black line). The thin blue lines represent iso-contours of ψ .

where either $\psi_b = \max_D \psi$ in the limiter configuration or $\psi_b = \psi(X)$ in the X-point configuration (see Fig. 1)

Assuming Dirichlet boundary conditions, h , are given on $\Gamma = \partial\Omega$ which is the poloidal cross-section of the vacuum vessel, the final equations governing the behaviour of $\psi(r, z)$ inside the vacuum vessel, are:

$$\begin{cases} -\Delta^* \psi = [rA(\bar{\psi}) + \frac{1}{r}B(\bar{\psi})]\chi_{\Omega_p} & \text{in } \Omega \\ \psi = h & \text{on } \Gamma \end{cases} \quad (17)$$

with $A(\bar{\psi}) = p'(\bar{\psi})$ and $B(\bar{\psi}) = \frac{1}{\mu_0}(ff')(\bar{\psi})$, $\bar{\psi} = \frac{\psi - \max_{\Omega} \psi}{\psi_b - \max_{\Omega} \psi} \in [0, 1]$ in Ω_p (this normalized flux is introduced so that A and B are defined on the fixed interval $[0, 1]$), χ_{Ω_p} is the characteristic function of Ω_p .

The aim of the following section of this paper is to provide a method for the real-time identification of the plasma current i.e. the non-linear functions A and B in the elliptic equation (17).

3. The inverse problem

3.1. Experimental measurements

The given experimental measurements are:

- the magnetic measurements
 - $\psi(M_i) = h_i$ on Γ , given by the flux loops (see Fig. 2). Thanks to an interpolation between points M_i these measurements provide the Dirichlet boundary condition h .

– $\frac{1}{r} \frac{\partial \psi}{\partial n}(N_i) = g_i$ on Γ , which corresponds to the component of the magnetic poloidal field, measured by the magnetic probes (see Fig. 2), which is tangent to the vacuum vessel. Indeed from Eq. (8) the tangential component of B_p is equal to the normal component $\frac{1}{r} \frac{\partial \psi}{\partial n}$ of $\frac{1}{r} \nabla \psi$.

- the polarimetric measurements which give the Faraday rotation of the angle of infrared radiation crossing the section of the plasma along several chords C_i :

$$\int_{C_i} n_e(\bar{\psi}) B_{\parallel} dl = \int_{C_i} \frac{n_e(\bar{\psi})}{r} \frac{\partial \psi}{\partial n} dl = \alpha_i$$

where n_e represents the electronic density which is approximately constant on each flux line, B_{\parallel} is the component of the poloidal field tangent to C_i and $\frac{\partial}{\partial n}$ represents the normal derivative of ψ with respect to C_i .

- the interferometric measurements which give the density integrals over the chords C_i

$$\int_{C_i} n_e(\bar{\psi}) dl = \beta_i$$

- the kinetic pressure measurements obtained from density and temperature measurements, for instance in the equatorial plane:

$$p(r, 0) = p_d(r)$$

- and MSE (Motional Stark Effect) angle measurements taken at different points $x_i = (r_i, z_i)$:

$$m(B_r, B_z, B_{\phi})_i = \gamma_i$$

with

$$\tan(m(B_r, B_z, B_{\phi})) = \frac{a_1 B_r + a_2 B_z + a_3 B_{\phi}}{a_4 B_r + a_5 B_z + a_6 B_{\phi}}$$

3.2. Statement of the inverse problem

The numerical identification problem is formulated as a least-square minimization with a Tikhonov regularization. The cost function is defined as:

$$J(A, B, n_e) = J_0 + K_1 J_1 + K_2 J_2 + K_3 J_3 + K_4 J_4 + J_{\epsilon} \quad (18)$$

with

$$\begin{aligned} J_0 &= \sum_i \left(\frac{1}{r} \frac{\partial \psi}{\partial n}(N_i) - g_i \right)^2 \\ J_1 &= \sum_i \left(\int_{C_i} \frac{n_e}{r} \frac{\partial \psi}{\partial n} dl - \alpha_i \right)^2 \\ J_2 &= \sum_i \left(\int_{C_i} n_e dl - \beta_i \right)^2 \\ J_3 &= \int_{R_{min}}^{R_{max}} (p(r, 0) - p_d(r))^2 dr \\ J_4 &= \sum_i (m(B_r, B_z, B_{\phi})_i - \gamma_i)^2 \end{aligned}$$

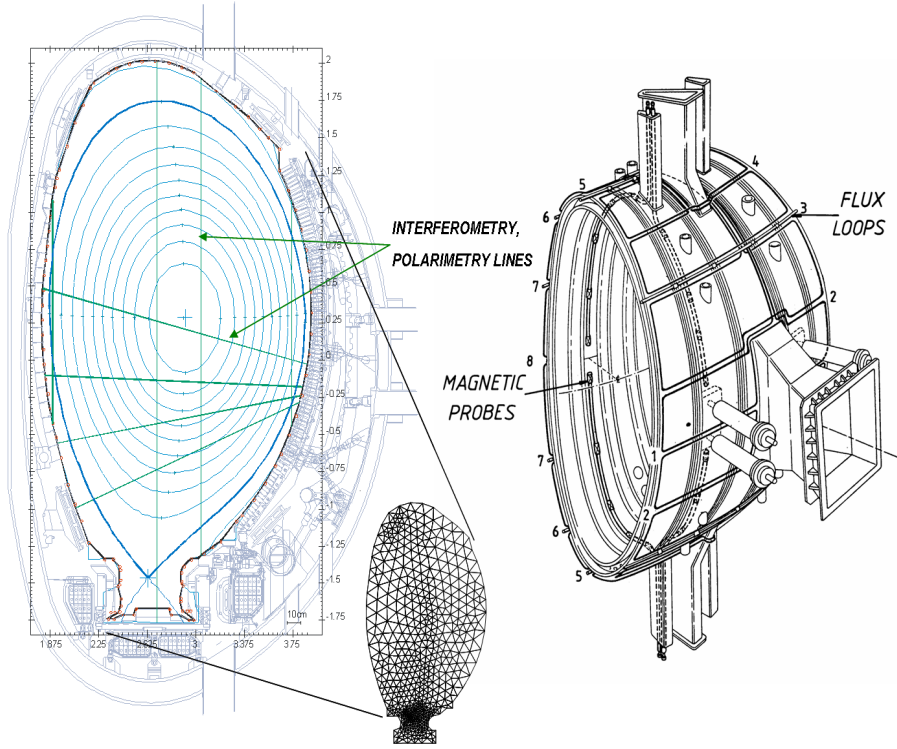


Figure 2. Left: the straight green lines represents the chords used for polarimetry and interferometry measurements. Right: part of the vacuum vessel. At the bottom middle an example of finite element mesh used for numerical simulations (see next Section).

and K_1, K_2, K_3 and K_4 are weighting parameters enabling to give more or less importance to the corresponding experimental measurements [5].

The inverse problem of the determination of A and B is ill-posed. Hence a regularization procedure can be used to transform it into a well-posed one [9]. The Tikhonov regularization term J_ϵ constrains the function A, B and n_e to be smooth enough and reads:

$$J_\epsilon = \epsilon_1 \int_0^1 [A''(x)]^2 dx + \epsilon_2 \int_0^1 [B''(x)]^2 dx + \epsilon_3 \int_0^1 [n_e''(x)]^2 dx$$

where ϵ_1, ϵ_2 and ϵ_3 are the regularizing parameters.

It should be noticed that the electronic density n_e does not intervene in Eq. (17). However as soon as we want to use the polarimetric measurements it is necessary to include n_e (and hence interferometry) in the identification procedure. The inverse problem can finally be formulated as,

$$\begin{cases} \text{Find } A^*, B^*, n_e^* \text{ such that :} \\ J(A^*, B^*, n_e^*) = \inf J(A, B, n_e) \end{cases} \quad (19)$$

3.3. Numerical identification

Problem (17) is solved using a finite element method [10]. Let $H^1(\Omega)$ and $V = H_0^1(\Omega)$ denote the usual Sobolev spaces. The finite element approximation is based on the following weak

formulation:

$$\left\{ \begin{array}{l} \text{Find } \psi \in H^1(\Omega), \text{ such that } \psi = h \text{ on } \Gamma, \text{ and} \\ \int_{\Omega} \frac{1}{\mu_0 r} \nabla \psi \cdot \nabla v dx = \int_{\Omega_p} [rA(\bar{\psi}) + \frac{1}{r}B(\bar{\psi})]v dx \quad \forall v \in V \end{array} \right. \quad (20)$$

Classically Ω is approximated using triangles by a polygonal domain Ω_h , the space V is approximated by a space V_h of finite dimension n . A $P1$ finite element method is used, in which functions of V_h are affine over each triangle and continuous on the whole domain.

Let K denote the finite element stiffness matrix. Let us also (abusively) denote by $\psi \in \mathbf{R}^n$ the components of the magnetic flux function approximated in V_h .

The unknown functions A , B and n_e are approximated by a decomposition in a reduced basis $(\phi_i)_{i=1,\dots,m}$

$$\begin{aligned} A(x) &= \sum_i a_i \phi_i(x) \\ B(x) &= \sum_i b_i \phi_i(x) \\ n_e(x) &= \sum_i c_i \phi_i(x) \end{aligned}$$

This basis can be made of different types of functions (polynomials, splines, wavelets, etc ...) [6]. Let u be the vector of \mathbf{R}^{3m} defined by $u = (a_1, \dots, a_m, b_1, \dots, b_m, c_1, \dots, c_m)$. With these notations the discretization of problem (20) can be written as follows:

$$\left\{ \begin{array}{l} \text{Given } u \in \mathbf{R}^{3m}, \text{ solve the fixed - point equation} \\ \tilde{K}\psi = D(\psi)u + h \end{array} \right. \quad (21)$$

Where $D(\psi)$ denotes the $n \times 3m$ "plasma current matrix", and \tilde{K} is the stiffness matrix modified in order to impose the Dirichlet boundary condition represented by h .

The discrete inverse optimization problem is:

$$\left\{ \begin{array}{l} \text{Find } u \text{ minimizing :} \\ J(u) = \|C(\psi)\psi - k\|^2 + u^T \Lambda u \\ \text{with } \psi \text{ satisfying (21)} \end{array} \right. \quad (22)$$

where $C(\psi)$ is the observation operator. The quantity $C(\psi)\psi$ represents the outputs of the model corresponding to the experimental measurements, given in a previous subsection, denoted by k . The matrix Λ represents the regularization terms. The first term of J in Eq. (22) corresponds to $J_0 + K_1 J_1 + K_2 J_2 + K_3 J_3 + K_4 J_4$ and the second to J_ϵ .

In order to solve this problem we use an iterative algorithm based on fixed-point iterations for Eq. (21) and the normal equation of Eq. (22).

3.3.1. Algorithm At the n -th iteration, ψ_n and u_n are given. The non-linear mapping $u \mapsto \psi(u)$ is approximated by the affine relation

$$\psi = \tilde{K}^{-1}[D(\psi_n)u + h]$$

and the cost function to be minimized by

$$\begin{aligned} J(u) &= \|C(\psi_n)\psi - k\|^2 + u^T \Lambda u \\ &= \|C(\psi_n)\tilde{K}^{-1}D(\psi_n)u + (C(\psi_n)\tilde{K}^{-1}h - k)\|^2 + u^T \Lambda u \\ &= \|E_n u + F_n\|^2 + u^T \Lambda u \end{aligned}$$

with obvious notations. The normal equation

$$(E_n^T E_n + \Lambda)u = -E_n^T F_n$$

is solved to update u_n to u_{n+1} . Then a fixed-point iteration for Eq. (21) enables the update of ψ_n to ψ_{n+1}

$$\psi_{n+1} = \tilde{K}^{-1}[D(\psi_n)u_{n+1} + h].$$

Since the algorithm is usually initialized with the equilibrium at a previous time step, two or three fixed-point iterations are usually enough to ensure convergence.

3.3.2. Equinox software Based on the algorithm presented above, a C++ software, called EQUINOX [11, 12, 13] has been developed in collaboration with the Fusion Department at Cadarache, and has been implemented for JET (Joint European Torus) and for TORE SUPRA (the CEA-EURATOM Tokamak at Cadarache). Figure 3 shows a graphical output of Equinox. With all these techniques it is possible to follow the quasi-static evolution of the plasma equilibrium, either in TORE SUPRA or JET configurations, with free boundaries defined either by limiter contact or with an X-point. It is also possible to simulate ITER configurations.

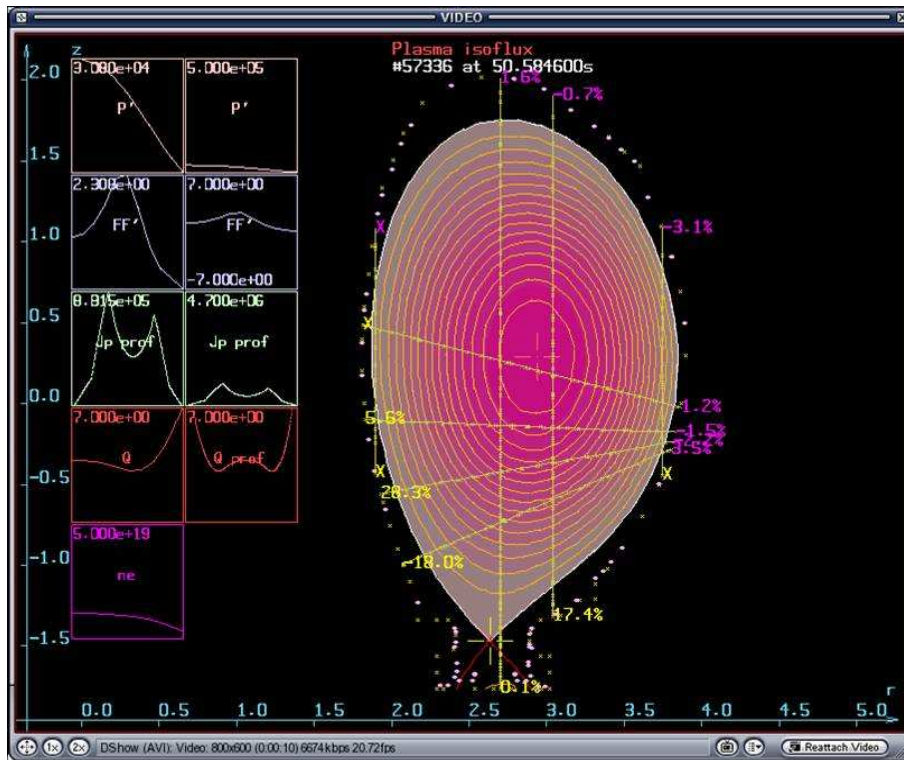


Figure 3. An output of EQUINOX. The plasma is in an X-point configuration. On the left column the identified p' , ff' and n_e functions as well as the toroidal current density j and the safety factor q are displayed in terms of ψ and of r (in the equatorial plane).

4. Conclusion

We have presented an algorithm for the identification of the current density profile in Grad-Shafranov equation from experimental measurements.

The decomposition of the unknown functions $p'(\psi)$ and $ff'(\psi)$ in a reduced basis makes it

possible to do the reconstruction in real-time.

The choice of this reduced basis must still be improved and optimized (robustness, precision, ...).

Real-time reconstruction makes possible future real-time control of the current profile [14].

5. Acknowledgements

The authors are very thankful to K. Bosak for his enormous work in developing the real-time EQUINOX software and to E. Joffrin and S. Bremond for their contributions into the domain of real-time identification and control.

References

- [1] Grad H and Rubin H 1958 *2nd U.N. Conference on the Peaceful uses of Atomic Energy* vol 31 (Geneva) pp 190–197
- [2] Shafranov V 1958 *Soviet Physics JETP* **6** 1013
- [3] Mercier C 1974 *The MHD approach to the problem of plasma confinement in closed magnetic configurations* Lectures in Plasma Physics (Luxembourg: Commission of the European Communities)
- [4] Lao L, Ferron J, Geobner R, Howl W, St John H, Strait E and Taylor T 1990 *Nuclear Fusion* **30** 1035
- [5] Blum J, Lazzaro J, O'Rourke J, Keegan B and Stefan Y 1990 *Nuclear Fusion* **30** 1475
- [6] Blum J and Buvat H 1997 *IMA Volumes in Mathematics and its Applications, Large Scale Optimization with applications, Part 1: Optimization in inverse problems and design* vol 92 ed Biegler, Coleman, Conn and Santosa pp 17–36
- [7] Zwingmann W and Stubberfield P 2000 *27th EPS Conference on Contr. Fusion and Plasma Phys.* (Budapest)
- [8] Grad H and Hogan J 1970 *Physical review letters* **24** 1337–1340
- [9] Tikhonov A and Arsenin V 1977 *Solutions of Ill-posed problems* (Winston, Washington, D.C.)
- [10] Ciarlet P 1980 *The Finite Element Method For Elliptic Problems* (North-Holland)
- [11] Bosak K 2001 *Real-time numerical identification of plasma in tokamak fusion reactor* Master's thesis University of Wroclaw, Poland URL <http://panoramix.ift.uni.wroc.pl/~bosy/mgr/mgr.pdf>
- [12] Blum J, Bosak K and Joffrin E 2004 *12th ICPP International Congress on plasma physics* (Nice) URL <http://fr.arxiv.org/abs/physics/0411181>
- [13] Bosak K, Blum J, Joffrin E and Sartori F 2003 *EPS Conference on plasma physics* (Saint-Petersbourg)
- [14] Joffrin et al E 2003 *Plasma Physics and Controlled Fusion* **45** A367–A383