



HAL
open science

Dynamic detection of uniform and affine vectors in GPGPU computations

Caroline Collange, David Defour, Yao Zhang

► **To cite this version:**

Caroline Collange, David Defour, Yao Zhang. Dynamic detection of uniform and affine vectors in GPGPU computations. Euro-Par 2009, Aug 2009, Delft, Netherlands. pp.46-55, 10.1007/978-3-642-14122-5_8. hal-00396719

HAL Id: hal-00396719

<https://hal.science/hal-00396719>

Submitted on 18 Jun 2009

HAL is a multi-disciplinary open access archive for the deposit and dissemination of scientific research documents, whether they are published or not. The documents may come from teaching and research institutions in France or abroad, or from public or private research centers.

L'archive ouverte pluridisciplinaire **HAL**, est destinée au dépôt et à la diffusion de documents scientifiques de niveau recherche, publiés ou non, émanant des établissements d'enseignement et de recherche français ou étrangers, des laboratoires publics ou privés.



HAL
open science

Dynamic detection of uniform and affine vectors in GPGPU computations

Caroline Collange, David Defour, Yao Zhang

► **To cite this version:**

Caroline Collange, David Defour, Yao Zhang. Dynamic detection of uniform and affine vectors in GPGPU computations. Euro-Par Parallel Processing Workshops 2009, Aug 2009, Delft, Netherlands. pp.46-55, 10.1007/978-3-642-14122-5_8 . hal-00396719v2

HAL Id: hal-00396719

<https://hal.archives-ouvertes.fr/hal-00396719v2>

Submitted on 29 Nov 2021

HAL is a multi-disciplinary open access archive for the deposit and dissemination of scientific research documents, whether they are published or not. The documents may come from teaching and research institutions in France or abroad, or from public or private research centers.

L'archive ouverte pluridisciplinaire **HAL**, est destinée au dépôt et à la diffusion de documents scientifiques de niveau recherche, publiés ou non, émanant des établissements d'enseignement et de recherche français ou étrangers, des laboratoires publics ou privés.

Dynamic detection of uniform and affine vectors in GPGPU computations

Caroline Collange¹, David Defour¹ and Yao Zhang²

¹ ELIAUS, Université de Perpignan, 66860 Perpignan, France
caroline.collange@inria.fr, david.defour@univ-perp.fr

² ECE Department, University of California Davis
yaozhang@ucdavis.edu

Abstract. We present a hardware mechanism which dynamically detects uniform and affine vectors used in SPMD architecture such as Graphics Processing Units, to minimize pressure on the register file and reduce power consumption with minimal architectural modifications. A preliminary experimental analysis conducted with the Barra simulator shows that this optimization can benefit up to 34 % of register file reads and 22 % of the computations in common GPGPU applications.

1 Introduction

GPUs are now powerful and programmable processors that have been used to accelerate general-purpose tasks other than graphics applications. These processors rely on a Single Program Multiple Data (SPMD) programming model. This model is implemented by many vector units working in a Single-Instruction Multiple-Data (SIMD) fashion, and vector register files. Register usage is a critical issue as the number of instance of the same program that can be executed simultaneously depend on the number of hardware registers and the register usage per instance. Making this bad situation worse, vectorizing scalar operations in an application makes inefficient use of registers and functional units. To efficiently handle scalar data, Cray-like vector machines incorporate scalar functional units as well as scalar registers. Modern GPUs lack such scalar support, leaving it to vector units. These vector units execute the same instruction on the same data leading to as many unnecessary operations as the length of the vector when uniform data are encountered. These unnecessary operations involve data transfers and activity in functional units that consume power, which is a critical concern in architectural and microarchitectural designs of GPUs.

We observed through our experiments that standard GPGPU applications manipulate a significant number of degenerated vectors containing replicated scalar data, that we name *uniform* vectors. A closer look shows that this number is even higher when additionally considering *affine* vectors, which contain a sequence of regularly-stepped values (e.g. $(2, 4, 6 \dots, 2n + 2)$) Motivated by this observation, we propose and evaluate by simulation a technique that tags a vector register file according to the type of registers: uniform, affine or *generic* (non-degenerate) vector.

The rest of the paper begins with a brief description of the NVIDIA architecture upon which our model is based. Section 3 presents our performance evaluation methodology, based on a functional simulator named Barra. We use it to both evidence the presence of redundancy in calculations in Section 4 and evaluate the proposed technique described in Section 5. We discuss technical issues in Section 6. Section 7 presents quantitative results and figures, and Section 8 concludes the paper.

2 Architecture Model

The base architecture we consider in our simulations consists of a vector processor, a set of vector register files, a set of vector units, and an instruction set architecture that mimics the behavior of the NVIDIA GPUs used in the Compute Unified Device Architecture (CUDA) environment [1]. This environment relies on a stack composed of an architecture, a language, a compiler, a driver and various tools and libraries.

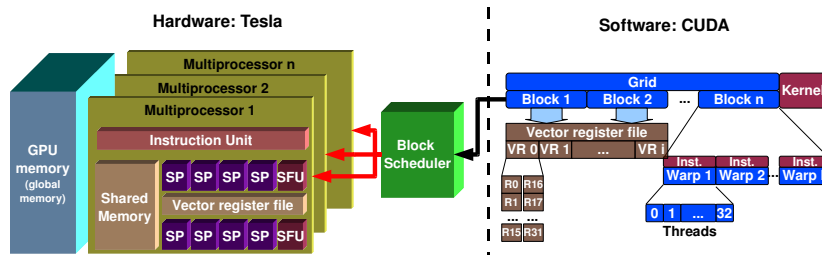


Fig. 1. Processing flow of a CUDA program.

A CUDA program runs on an architecture composed of a host processor CPU, a host memory and a graphics card with an NVIDIA GPU with CUDA support. All current CUDA-enabled GPUs are based on the Tesla architecture, which is made of an array of *multiprocessors*. Tesla GPUs execute thousands of threads in parallel thanks to the combined use of multiple multiprocessors, SIMD processing and hardware multithreading [2]. Figure 1 describes the hardware organization of such a processor. Each multiprocessor contains the logic to fetch, decode and execute SIMD instructions which operate on vectors of 32 elements. There are 256 or 512 vector registers, each register being a 32-wide vector of 32-bit values. In addition to the register file, each multiprocessor contains a scratchpad memory (or shared memory, using NVIDIA’s terminology) and separate caches for constant data and instructions.

The hardware organization is tightly coupled with the parallel programming model of CUDA. The programming language used in CUDA is based on C with extensions to indicate if a function is executed on the CPU or the GPU. Functions executed on the GPU are called *kernels*. CUDA lets the programmer define if a variable resides in the GPU address space and specify the kernel execution across different granularities of parallelism: *grids*, *blocks* and *threads*. As the underlying

hardware is a SIMD processor, threads are grouped together in so-called *warps* which operate on 32-wide vector registers. Each instruction is executed on a warp by a multiprocessor. Warps execute instructions at their own pace, and multiple warps can run concurrently on a multiprocessor to hide latencies of memory and arithmetic instructions. This technique helps hide the latency of streaming transfers, and improve the effective memory bandwidth. The register file of a multiprocessor is logically split between the warps it executes. As a GPU includes several multiprocessors, warps are grouped into blocks. Blocks are scheduled on the available multiprocessors. A multiprocessor can process several blocks simultaneously if enough hardware resources (registers and shared memory) are available.

The compilation flow of a normal CUDA program is a three-step process directed by the CUDA compiler *nvcc*. First, according to specific CUDA directives from the CUDA Runtime API, the program is split into a host program and a device program. The host program is then compiled using a host C or C++ compiler and the device program is compiled through a specific back-end for the GPU. The resulting device code is binary instruction code (in *cubin* format) to be executed on a specific GPU. The host program and the device program are linked together using the CUDA libraries, which includes the necessary functions to load a cubin either from inside the executable or from a stand-alone file and send it to the GPU for execution.

3 Barra, a Functional Simulator of NVIDIA GPUs

Several options exist to model the dynamic behavior of CUDA programs. CUDA offers a built-in emulation mode that run POSIX threads on the CPU on behalf of GPU threads, thanks to a specific compiler back-end. However, this mode differs in many ways with the execution on a GPU: the behavior of floating-point and integer computations, the scheduling policies and memory organization are different.

GPU simulators running CUDA's intermediate language PTX such as GPGPU-Sim [3] or Ocelot [4] can offer a greater accuracy, but still run an unoptimized intermediate code instead of the instructions actually executed by a GPU.

Recent versions of CUDA include a debugger that allows watching the values of GPU registers between each line of source code. Though this mode offers perfect functional accuracy, it cannot be modified for instrumentation or feature evaluation purposes.

Barra [5] simulates the actual instruction set of the NVIDIA Tesla architecture at the functional level. The behavior of all instructions is reproduced with bit-accuracy, with the exception of transcendentals (exp, log, sin, cos, rcp, rsq). To our knowledge, Barra is the only publicly-available tool that both executes the same instructions as Tesla GPUs and allows viewing the exact contents of registers during the execution.

This simulator consists of two parts: a driver, and a simulator. The driver is a shared library with the same name and exporting the same symbols as NVIDIA's

libcuda.so so that CUDA Driver API calls can be dynamically redirected to the simulator. It includes major API functions to load, and execute a CUDA program and manage data transfers. The simulator takes the binary code compiled by NVIDIA's *nvcc* compiler as input simulates the execution of the kernel, and produces statistics for the each instruction.

3.1 Logical execution pipeline

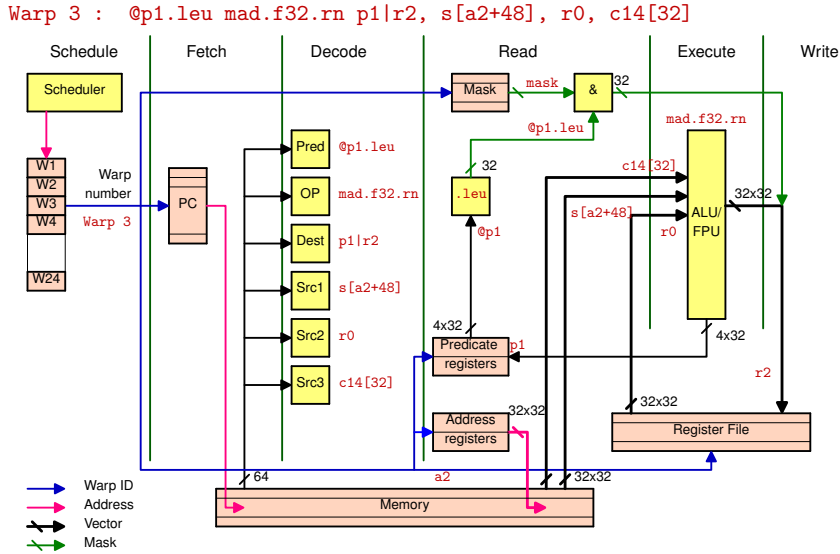


Fig. 2. Overview of the functional execution pipeline during the execution of a MAD instruction.

The instruction-set simulator executes each assembly instruction according to the model described in Figure 2. First, a scheduler selects the warp ready for execution according to a round-robin policy and reads its current program counter (PC). Then the instruction is fetched and decoded. Then operands are read from the register file or from on-chip memories (scratchpad) or caches (constants). The instruction is executed and its results are written back to the register file.

3.2 Vector register file

General Purpose Registers (GPRs) are dynamically split between threads during kernel launch, allowing a trade-off between the number of registers per threads and the latency hiding capability. Barra maintains a separate state for each active warp in the multiprocessor. These states include a program counter, address and predicate registers, mask and address stacks, a window to the assigned register set, and a window to the shared memory.

4 Uniform and affine data in SPMD code

NVIDIA’s so-called “scalar” architecture is actually a pure vector (SIMD) architecture. At the hardware level, all instructions, including memory and control-flow operations, operate on vectors, and all architecturally-visible registers are vectors. It can alternatively be seen from the programmer’s perspective as a SPMD machine executing independent “scalar” threads. Though this provides a developer-friendly programming model and allows scalable implementations by abstracting away the vector length, it can become a source of inefficiency when performing inherently scalar operations.

We define an *uniform vector* V as having every component contain the same value $V_i = x$. Two main causes lead to uniform vector patterns. First, constant values and data read from memory with a uniform address vector (broadcast) generate uniform vectors. Second, uniform control flow is governed by uniform conditions. For example, a *for* loop with uniform bounds will also have a uniform counter. Modern GPUs also allow non-uniform conditions in conditional statements by allowing sub-vector control-flow. However, best performance is achieved when the control condition is uniform across a warp [1]. This means that in optimized algorithms, all lanes of registers that are used as conditions will hold the same value.

Similarly, to maximize memory bandwidth, memory accesses should follow specific patterns, such as the coalescing rules or conflict-free shared-memory access rules. Programs following NVIDIA’s guidelines to access memory will operate mostly on consecutive addresses. This specific pattern is often referred as *unit-stride access* in the vector-computing literature. The vector register storing the addresses of such access will contain consecutive addresses.

This leads us to define an *affine* vector as a vector V having each of its component (interpreted as an unsigned integer) such that $V_i = x + iy$, for x and y non-negative integers. One can notice that the uniform pattern is a specific case of the affine pattern when $y = 0$.

To quantify how often both of these patterns occur, we use Barra to dynamically check for each input and output operand in registers if they are uniform or affine vectors. We perform this analysis on two kinds of applications.

First, we used the examples from the CUDA SDK. Even though these examples are not initially meant to be used as benchmarks, they are currently the most standardized test suite of CUDA applications. As code examples, they reflect the best practices in CUDA programming.

The second benchmark is a bioinformatics application. RNAFold_GPU is a CUDA program which performs RNA folding. Based on dynamic programming, it achieves a 17-time speedup compared to a multicore implementation [6].

The proportion of uniform and affine inputs/outputs from and to registers is depicted in figure 3. Uniform or affine input data represent the percentage of uniform (affine) vectors among the data transferred between the register file and functional units.

Similarly, uniform or affine output data is the proportion of uniform (affine) data written back to the register file. It can be observed that whenever the

output is uniform (affine), the operation itself is executed on uniform (affine) data only.

We observe that a respective average of 27 % (44 %) of data read from the vector register file are uniform (affine) and 15 % (28 %) of data written back are uniform (affine). This proportion of uniform or affine inputs/outputs is significant enough to justify specific optimizations.

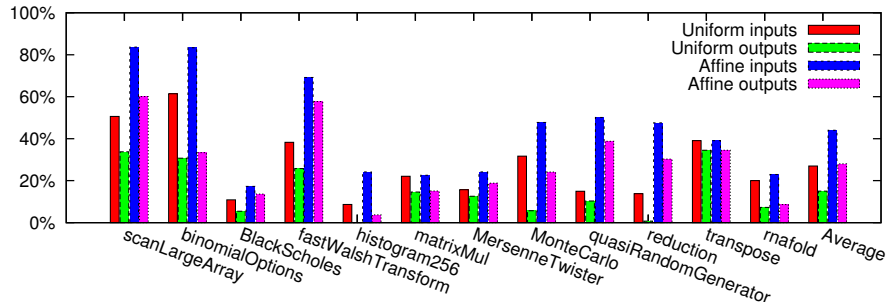


Fig. 3. Proportion of uniform and affine operands in registers. Averages are 27 % uniform inputs, 15 % uniform outputs, 44 % affine inputs and 28 % affine outputs.

5 Proposed technique

In this section we describe a technique which can detect if registers contain uniform or affine data as defined in Section 4. The first objective is to minimize memory and bus activity between the register file and the functional units for the proportion of input data captured by the proposed technique. The second objective extends the first one and goes further, by detecting uniform or affine data that are provided at the input of functional units and that remains uniform or affine at the output. In that case, the result can be computed by dedicated scalar hardware like in Cray processors or by relying on the existing vector hardware. As we target power reduction, the scalar solution would provide automatic reduction. However, this solution would cause data duplication in the register file and make the operand datapath more complex. The second solution can benefit from techniques that were not available at the time Cray machines were designed, such as clock-gating. This second solution can reuse the same vector hardware, with one or two scalar units enabled to compute the result, the other units being shut down using fine-grained stage-based clock gating as in the case of the IBM Cell SPU FPU [7]. The large vector length (32) used in the Tesla architecture promises larger power reductions than observed for more conventional SIMD extensions (typical length 4).

Instructions executed by GPUs show that most of uniform and scalar data come from a broadcast of some data or a copy of the register that contains the thread identifier. For these cases, uniform and scalar detection can be done statically for once at compile time or dynamically in hardware.

A static detection involves architectural as well as microarchitectural modifications. First, each instruction and register detected as uniform or scalar by the compiler has to be tagged in the instruction word. Then at runtime during the decode stage, the hardware can automatically schedule instructions according to the tag data. A dynamic detection keeps the instruction set unchanged. However, the burden of detecting uniform and scalar data is transferred from the compiler to the hardware. This solution requires for example a tagged vector register file.

We tested the dynamic solution based on a tagged vector register file where each tag contains the type of data stored in the associated register (uniform, affine or generic vector) using the Barra simulator. At kernel launch time, the tag of the register that contains the thread identifier is set to the affine state. Instructions that broadcast values from a location in constant or shared memory set the tag of the result to the uniform state. Tags are then propagated across arithmetic instructions according to a simple set of rules, as shown in table 1. We arbitrarily restrict the allowed strides to powers of two to allow efficient hardware implementations, and conservatively make multiplications between affine and uniform data return vectors. Additionally, the information stored in this tag may be used by memory access units as it gives information about memory access patterns.

Table 1. Examples of rules of uniform and affine tag propagation. For each operation, the first row and first column indicate the tag of the first and second operand, respectively (Uniform, Affine or Vector). The central part contains the computed tag of the result.

+	U	A	V	×	U	A	V	<<	U	A	V
U	U	A	V	U	U	V	V	U	U	A	V
A	A	V	V	A	V	V	V	A	V	V	V
V	V	V	V	V	V	V	V	V	V	V	V

Cost. A tag array contains two bits per vector register. Each multiprocessor of a NVIDIA GT200 GPU features five hundred and twelve 1024-bit registers, for a total register-file size of 512 kb (not accounting for the size of error-correction codes, if any). In a basic implementation, the associated tags would require 1 kb of extra storage, making it comparatively almost negligible.

In terms of latency, reading the tags adds one level of indirection before reading registers. In NVIDIA GPUs, registers are read in sequence for a given instruction to minimize bank conflicts [8]. Therefore, operand reads can be pipelined with tag reads. Additionally, GPUs can tolerate large instruction latencies using fast context switching between threads. The tag of the output can then be computed using a few boolean operations from the tags of the input, so the required hardware modifications are minimal. Support for broadcasting a word across all SIMD units is already available to handle operands in Constant and Shared memory.

Benefits. When an input or output operand is known to be uniform, only one lane needs to be accessed. Likewise, affine vectors v such that $v_i = x + iy$ can be encoded using the base x and the stride y . Thus, their storage requirements are only two vector lanes. This reduces the used width of the register file ports and internal buses, thus saving power.

Computing a uniform or affine result function of uniform and affine inputs can be performed using only one or two Scalar Processing (SP) units with a throughput of one cycle instead of the full SIMD width during two cycles. Indeed, most arithmetic operations on affine vectors can be reduced to operations on the base and stride.

6 Technical issues

Some issues may limit the efficiency of the proposed method and need to be taken into account in an implementation.

Partial writes. GPUs handle branch divergence using predication. A predicated instruction does not write in every lane of its output register, keeping some of them in their previous state. In this case, even if the output value is uniform (or affine), the uniform (affine) property cannot be guaranteed for the destination register.

Half registers. The Tesla architecture allows access to lower/higher 16-bit sub-registers inside regular 32-bit registers. To handle this correctly, separate tags are needed for the lower, higher and whole parts to correctly track uniform/affine information.

Overflows. An arithmetic overflow may occur in a lane of an affine register, even if the base and stride are both representable. Overflows have no direct consequences when using two's-complement arithmetic, but casts between signed and unsigned formats of various sizes can occur, resulting for instance in an overflowing 16-bit affine value being extended into a non-affine 32-bit value.

This problem can be worked around by checking for overflows when performing affine computations, and re-issue the offending instruction as a vector operation when one is detected. Support for re-issuing instructions is already present to handle bank conflicts in the constant cache and scratchpad memory. As overflows should not occur in address calculations of correct programs, we expect it to be a rare occurrence. Indeed, we did not encounter this case in any of the benchmarks we ran.

Conversions from affine to generic vector. Instructions such as an addition involving both an affine and a generic vector may require first converting the affine input to a generic vector. As long as stride values are restricted to small powers of two, this can be implemented efficiently in hardware. However, if this situation does not appear frequently, it may be advantageous to reuse the conventional SIMD ALUs to perform the conversion, then re-issue the instruction .

7 Results and validation

Figures 4 and 5 represent the respective proportions of uniform and affine operand captured with the proposed technique. We observe that on average, 19 % of inputs and 11 % of outputs can be identified as uniform data. These ratio go up to 34 % and 22 % respectively when considering affine data.

This means that the proposed methods reduce the bus activity between the register file and functional units for 34 % of the reads transfers. Likewise, the activity within the functional units can be reduced during 22 % of the operations executed in GPGPU computations. The power reduction brought by this technique, proportional to the activity reduction, is known to be of a critical issue for GPU [9]. Future works have to precisely quantify it.

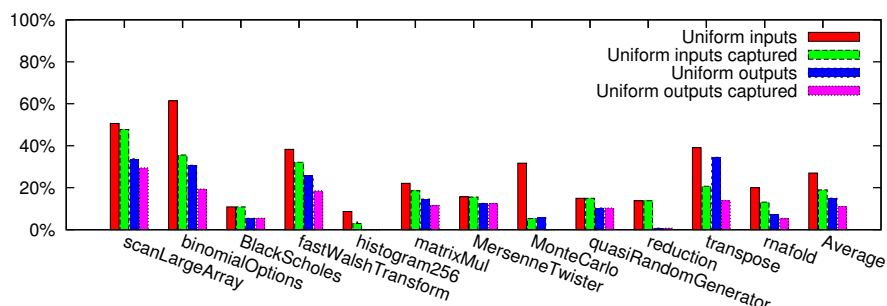


Fig. 4. Proportion of uniform operands in registers captured using our technique.

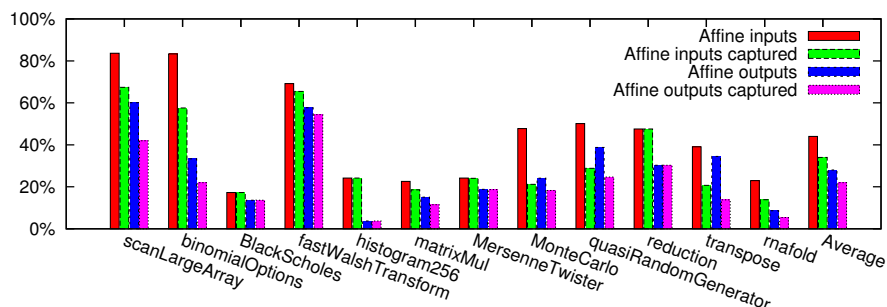


Fig. 5. Proportion of affine operands in registers captured using our technique.

It can be noted that the tag technique is not optimal, as it fails to detect some uniform and affine vectors. This is mostly due to the partial write effect as described in Section 6, and complex address calculations involving multiplication, division or modulo operations. Further work may improve the accuracy of the detection.

8 Conclusion

In this paper, we presented a technique to exploit two forms of value locality specific to vector computations encountered in GPUs. The first one corresponds

to the uniform pattern present when computing conditions which avoid divergence in sub-vectors. The second one corresponds to the affine pattern used to access memory efficiently. An analysis conducted on common programs used in the field of GPGPU showed that both of them are common. The novel idea of using both forms of value locality with the proposed modifications significantly reduces the power required for data transfers between the register file and the functional units as well as the power drawn by the SIMD arithmetic units. Future work will focus on improving the accuracy of the hardware-based dynamic technique presented in this article, as well as considering software-based static implementations.

Acknowledgments

We thank John Owens for his valuable comments on this work and Guillaume Rizk for the discussion related to bioinformatics applications. This work was partly supported by the French ANR BioWic.

References

1. NVIDIA: NVIDIA CUDA Compute Unified Device Architecture Programming Guide, Version 2.2. (2009)
2. Lindholm, J.E., Nickolls, J., Oberman, S., Montrym, J.: NVIDIA Tesla: A unified graphics and computing architecture. *IEEE Micro* **28**(2) (2008) 39–55
3. Bakhoda, A., Yuan, G., Fung, W.W.L., Wong, H., Aamodt, T.M.: Analyzing CUDA workloads using a detailed GPU simulator. In: proceedings of the IEEE International Symposium on Performance Analysis of Systems and Software (ISPASS), Boston (April 2009) 163–174
4. Diamos, G., Kerr, A., Kesavan, M.: Translating GPU binaries to tiered SIMD architectures with Ocelot. Technical Report GIT-CERCS-09-01, Georgia Institute of Technology (2009)
5. Collange, C., Defour, D., Parello, D.: Barra, a parallel functional GPGPU simulator. Technical Report hal-00359342, Université de Perpignan (2009) <http://hal.archives-ouvertes.fr/hal-00359342/en/>.
6. Rizk, G., Lavenier, D.: GPU accelerated RNA folding algorithm. In: Computational Science – ICCS 2009. Volume 5544 of LNCS., Springer (2009) 1004–1013
7. Mueller, S., Jacobi, C., Oh, H.J., Tran, K., Cottier, S., Michael, B., Nishikawa, H., Totsuka, Y., Namatame, T., Yano, N., Machida, T., Dhong, S.: The vector floating-point unit in a synergistic processor element of a CELL processor. In: 17th IEEE Symposium on Computer Arithmetic (ARITH-17). (June 2005) 59–67
8. Lindholm, E., Siu, M.Y., Moy, S.S., Liu, S., Nickolls, J.R.: Simulating multiported memories using lower port count memories. US Patent US 7339592 B2 (March 2008) NVIDIA Corporation.
9. Collange, C., Defour, D., Tisserand, A.: Power Consumption of GPUs from a Software Perspective. In: ICCS 2009. Volume 5544 of Lecture Notes in Computer Science., Springer (2009) 922–931