



HAL
open science

Efficient atomization of cesium metal in solid helium by low energy ($10 \mu\text{J}$) femtosecond pulses

Mathieu Melich, Jacques Dupont-Roc, Philippe Jacquier

► To cite this version:

Mathieu Melich, Jacques Dupont-Roc, Philippe Jacquier. Efficient atomization of cesium metal in solid helium by low energy ($10 \mu\text{J}$) femtosecond pulses. 2009. hal-00364732v1

HAL Id: hal-00364732

<https://hal.science/hal-00364732v1>

Preprint submitted on 27 Feb 2009 (v1), last revised 27 Aug 2009 (v4)

HAL is a multi-disciplinary open access archive for the deposit and dissemination of scientific research documents, whether they are published or not. The documents may come from teaching and research institutions in France or abroad, or from public or private research centers.

L'archive ouverte pluridisciplinaire **HAL**, est destinée au dépôt et à la diffusion de documents scientifiques de niveau recherche, publiés ou non, émanant des établissements d'enseignement et de recherche français ou étrangers, des laboratoires publics ou privés.

Efficient atomization of cesium metal in solid helium by low energy ($10 \mu\text{J}$) femtosecond pulses

Mathieu Melich^a, Jacques Dupont-Roc, and Philippe Jacquier

Laboratoire Kastler Brossel, ENS, UPMC-Paris 6, CNRS ; 24 rue Lhomond, 75005 Paris, France

Received: date / Revised version: date

Abstract. Metal atoms in solid and liquid helium-4 have attracted some interest either as a way to keep the atoms in a weakly perturbing matrix, or using them as a probe for the helium host medium. Laser sputtering with nanosecond pulsed lasers is the most often used method for atom production, resulting however in a substantial perturbation of the matrix. We show that a much weaker perturbation can be obtained by using femtosecond laser pulses with energy as low as $10 \mu\text{J}$. As an unexpected benefit, the atomic density produced is much higher.

PACS. 67.80.B- solid ^4He – 61.72.S- impurities in crystals – 06.60.Jn femtosecond techniques

1 Introduction

Over the past twenty years, atomic and molecular impurities in superfluid and solid helium-4 have been extensively studied by spectroscopic methods either in bulk (for a review (author?) (1, 2)) or in clusters (author?) (3, 4). Among the motivations of those works, one may cite the investigation of superfluidity at a microscopic level (author?) (5, 6), the reactions of atoms, molecules, radicals in the helium matrix (author?) (7, 8), investigation of matrix excitations by optical methods (author?) (5, 9, 10), measurement of electron EDM (author?) (11, 2) or parity violating nuclear anapole moment (author?) (12). Several methods (recombination (author?) (13), laser sputtering (author?) (14, 11), jet (author?) (15)) have been developed to introduce atomic impurities into bulk helium. Laser sputtering has been quickly recognized as the most efficient method to introduce various atomic species into liquid (author?) (14, 11, 16, 9) and solid helium (author?) (17). Atomic density about 10^{14} - 10^{15} m^{-3} has been reported (author?) (14, 18). In this method, atomization proceeds in two steps. In the first step, a metal target situated in condensed helium is sputtered that produces metal grains and clusters embedded in the medium. These grains are then atomized by a second laser and detected by a third one. In superfluid, convection flow induced by the sputtering process carries away the atoms from the detection region in a few milliseconds (author?) (14). An improvement was later achieved leading to the detection of atomic Cs in superfluid helium over about 500 ms (author?) (19). In solid helium, atoms are more efficiently trapped and can be observed during several hours (author?) (18) or even a week (author?) (20).

Laser sputtering has some drawbacks however. When YAG second harmonic (532 nm) pulses are used, pulse energies about 1-10 mJ are necessary. This creates transient bubbles in the liquid or melting of the solid matrix over a macroscopic volume. These energetic events are likely to strongly perturb the helium matrix. Indeed evidence for the conservation of the global solid orientation is still lacking (author?) (21, 20). A first step may consist in reducing the energy brought by the laser.

In this paper a new method is described making use of amplified femtosecond pulses to atomize cesium grains or clusters. Due to much shorter pulse duration, much lower energies ($10 \mu\text{J}$) are used to obtain similar or even greater atomic densities than previous methods. To our knowledge, metal atomization with femtosecond pulses has been reported only once (author?) (19), but without details about the atomic densities obtained. We describe first the experimental set-up used and the atomization process of cesium impurities in an initially single helium crystal. Atomic densities obtained are then discussed.

2 Experimental set-up

A sketch of the experimental arrangement is given in figure 1. A 2 cm wide cell is attached to a helium-4 refrigerator. Its temperature can be regulated between 1 and 1.8 K. To grow a hcp helium crystal, liquid helium is pressurized at constant temperature, typically 1.2 K, up to the solidification pressure (25.4 bar). An electrostatic device (author?) (22) nucleates the solid phase as a small single crystal which falls on the bottom of the cell. It is then grown by continuously feeding the cell with helium until the liquid/solid interface reaches the middle of the

^a Present address : Institut Néel, CNRS, Grenoble

cell windows. In order not to damage the crystal by the first step of the atomization process, we put the cesium target in the liquid above the solid. Sputtering is produced by second harmonic YAG laser pulses (energy 5 mJ, repetition rate 2 Hz). Sub-millimetric cesium grains, and possibly clusters, fall onto the crystal surface. When their number is sufficient, they are embedded into the crystal by a further growth.

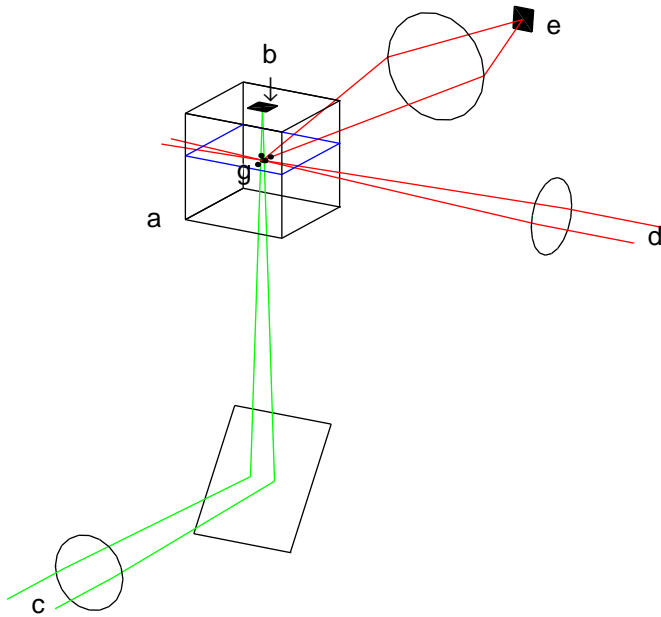


Fig. 1. Sketch of the experimental arrangement. (a) Cell inside the cryostat containing solid He at the bottom, (b) Solid cesium target immersed into HeII, (c) Sputtering YAG laser, (d) Amplified Ti:Sa laser for atomization (mode-locked) or in cw mode for detection, (e) fluorescence detection, (g) cesium metal grains and clusters.

They lie then 1 or 2 mm below the solid/liquid interface. The next section explains how they are later atomized by femtosecond laser pulses.

In order to measure the local density of cesium atoms, laser induced fluorescence is used. A Ti:Sa laser ('d' in figure 1) can be used in cw or mode-locked regime. In the cw regime, it excites the fluorescence on the D1 line at 850 nm. The absorption line is shifted with respect to the free atom line due to the interaction of cesium atoms with the helium matrix (author?) (23). The fluorescence light is collected at right angle, selected by an interference filter centered at 880 nm and its intensity is measured by a cooled APD (Hamamatsu C4777-01). The use of femtosecond laser pulse for metal sputtering or machining is now well documented (author?) (24) and various kinds of amplified sources have been described. In the present case, high average power is not looked for to keep the low temperature sample with a minimal perturbation. Hence we require a pulse energy sufficient to atomize metal grains at a focal distance of 0.2 m, comparable with the cryostat radius. Pulse energy on the order of a few microjoules is

sufficient. Much shorter focal length would allow to reduce this energy, but would require the focusing lens to be located inside the cryostat, which we wanted to avoid for practical reasons. Microjoule pulse energies are intermediate between the nanojoule energies delivered by Ti:Sa oscillators and millijoules currently reached by the chirped pulse amplifiers. No simple lasers are available for such a pulse energy. Hence we build a simple home made multipass unsaturated amplifier which does not require the 100 femtosecond pulse to be chirped. Non-linear effects in the Ti:Sa crystal are kept below the critical value for self-focusing if pulse energy does not exceed 40 μJ . The Ti:Sa oscillator produces 5 nJ, 200 fs pulses at the rate of 70 MHz, from which one is selected by a Pockels cell every 0.1 s. It enters a $4f$ -cavity where it is amplified 6 times in a 1.5 cm Ti:Sa crystal pumped by two 7 mJ second harmonic Nd-YAG pulses. The pulse energy is then $6 \pm 2 \mu\text{J}$. Another opportunity is to let all oscillator pulses to go through the amplifier. Then trains of about 12 successive pulses are amplified synchronously with the YAG pump pulses. Other Ti:Sa pulses go through the amplifier unaffected. In the time between successive pulses, atoms and clusters have already been expelled few microns away but have had no time to recombine. Hence clusters produced by one pulse, may be further atomized by the next ones before being thermalized and possibly recombine. One expects a more efficient atomization in this multi-pulse regime.

3 Atomization process inside solid helium

Once cesium grains are embedded 2 mm below the crystal surface, atomization with the Ti:Sa laser begins. The wavelength is tuned to 850 nm so that fluorescence of the atoms will be excited. Monitoring the atomization is done by replacing the APD by a fiber/CCD spectrograph (Ocean Optics 4000). Two detection bands are defined. One measures atomic fluorescence from 870 to 890 nm. The other one from 845 to 855 nm measures the incident light scattered by cesium grains and clusters.

Evolution of both intensities during an atomization process are shown in figure 2. The Ti:Sa laser is mode-locked with an averaged intensity 50 mW in the cell, with amplified bursts at a rate of 2 Hz. The burst contribution to the average intensity is negligible. During the sequence shown, the focal point of the laser is moved from time to time to explore the region in which clusters are located. This is indicated by gray areas in figure 2. Intensity of elastically scattered light varies strongly according to the focal point location, probably in relation with the presence of grains. Keeping the laser focus at such place and continuing laser irradiation, one observes a slow decrease of the scattered light intensity, while the atomic fluorescence intensity increases strongly. Note the difference in scale (factor 10) for the two intensities : the atomic fluorescence is much stronger. After 20 minutes at this place, the scattered light has nearly disappeared and the atomic fluorescence does not increase anymore. A straightforward explanation is that successive laser pulses break metal grains into smaller and smaller pieces, and finally into atoms. In

some cases, no light is scattered, indicating there are no grains while fluorescence does appear after some time. In these situations, source of atoms are very likely clusters. As we will see now, this atomization process is indeed efficient.

4 Estimate of the atomic density

Once atomic fluorescence intensity is strong enough, a measurement of the fluorescence intensity is made to provide an estimate of the atomic density. The Ti:Sa laser is switched to its cw mode, while keeping its wavelength at 850 nm. The beam is chopped at 173 Hz and the APD output is measured through a lock-in amplifier. The detected fluorescence intensity I_{det} is proportional to the mean atomic density $\bar{\rho}$ in the region where the two beams intersect, to the laser intensity I_{exc} and to the absorption cross-section σ for the D1 line. More precisely, $\bar{\rho}$ is given by

$$\bar{\rho} = \frac{1}{\eta \sigma l_{det} \kappa} \frac{4 \pi}{\Omega} \frac{I_{det}}{I_{exc}} \quad (1)$$

where Ω is the solid angle of the collected light (0.12 sr), κ is the transmission efficiency of the detection beam estimated to be 0.2 at 880 nm, η is the fluorescence efficiency for the D1 line measured to be 0.9 at 25 bar (author?) (25). This formula takes into account the fact that the waist of Ti:Sa beam in the cell (0.3 mm) is smaller than the diameter of the area seen by the APD detector ($l_{det} = 1.1$ mm). The absorption cross-section σ is the resonant cross-section for the D1 line $\lambda^2/2\pi$ (author?) (26,

27), scaled by the ratio of the natural linewidth (FWHM) ($\Gamma/2\pi = 4.5$ MHz) to the linewidth in the helium matrix ($\Delta\lambda \simeq 10$ nm). This gives $\sigma \simeq 10^{-19}$ m².

For a 50 μ W excitation intensity, we have measured atomic fluorescence intensities up to 8×10^{-11} mW. According to the formula above, this corresponds to an atomic density about 1.2×10^{18} m⁻³. This is about 4 orders of magnitude higher than what have been reported in solid helium (author?) (18). We have obtained repeatedly densities over 10^{17} m⁻³.

As already mentioned the atomic density depends strongly on the number and sizes of the metal grains in the sputtered region. One can get densities varying by several order of magnitude for apparently similar conditions. Note that the atomic density does not vary significantly over the time required for the density measurement. As already reported, at 1.0 K, atomic density decays only over several days (author?) (20, 28).

5 Conclusion

We have shown that femtosecond laser pulses with energy as low as 10 μ J are an efficient tool to atomize metals in solid helium. Such low energy pulses with a repetition rate of a few hertz are suitable for experiments at low temperatures below 1 K where the cooling power of helium refrigerators drops down. These pulses can be produced by simple amplifiers without a stretching/compression device. Substantial atomic densities have been obtained, larger than 10^{17} atom/m³. However we have no evidence that atomization with such low energy pulses still does not damage the crystal order. In a further step we plan to attempt atomization directly above crystal surface, in the liquid, and to grow the crystal from this 'cesium solution'. This should allow for obtaining good quality doped single crystal.

We are indebted to Béatrice Chatel (LCAR, Toulouse) for the loan of the Ti:Sa laser. This work was supported by the ANR contract META (ANR-05-BLAN-0084-02).

References

1. B. Tabbert, H. Günther, G. zu Putlitz, J. Low Temp. Phys. **109**, 653 (1997)
2. P. Moroshkin, A. Hofer, S. Ulzega, A. Weis, Low Temp. Phys. **32**, 981 (2006)
3. J.P. Toennies, A.F. Vilesov, Angew. Chemie Int. Ed. **43**, 379 (2004)
4. F. Stienkemeier, K.K. Lehmann, J. Phys. B : At. Mol. Opt. Phys. **39**, R127 (2006)
5. M. Hartmann, F. Mielke, J.P. Toennies, A.F. Vilesov, G. Benedek, Physical Review Letters **76**, 4560 (1996)
6. S. Grebenev, J.P. Toennies, A.F. Vilesov, Science **279**, 2083 (1998)
7. E. Lugovoj, J.P. Toennies, A. Vilesov, The Journal of Chemical Physics **112**, 8217 (2000)

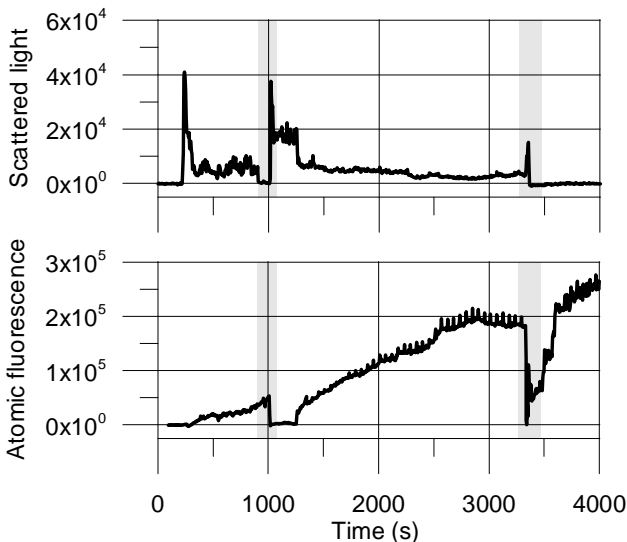


Fig. 2. Atomic fluorescence (lower sub-figure) and incident light scattered by cesium grains and clusters (upper sub-figure) during an atomization process at 850 nm. The growth of the atomic fluorescence is correlated with the disappearance of the grains scattering the incident light. Gray areas indicate when the laser focus was moved from one place to another in the crystal.

8. J.H. Reho, J. Higgins, M. Nooijen, K.K. Lehmann, G. Scoles, M. Gutowski, *The Journal of Chemical Physics* **115**, 10265 (2001)
9. K. Ishikawa, A. Hatakeyama, K. Gosyono-o, S. Wada, Y. Takahashi, T. Yabuzaki, *Phys. Rev. B* **56**, 780 (1997)
10. Q. Hui, M. Takami, *J. Low Temp. Phys.* **119**, 393 (2000)
11. M. Arndt, S.I. Kanorsky, A. Weis, T.W. Hänsch, *Phys. Lett. A* **174**, 298 (1993)
12. M.A. Bouchiat, C. Bouchiat, *Eur. Phys. J. D* **15**, 5 (2001)
13. H. Bauer, M. Beau, B. Friedl, C. Marchand, K. Miltner, H.J. Reyher, *Phys. Lett. A* **146**, 134 (1990)
14. A. Fujisaki, K. Sano, T. Kinoshita, Y. Takahashi, T. Yabuzaki, *Phys. Rev. Lett.* **71**, 1039 (1993)
15. E.B. Gordon, *Low Temp. Phys.* **30**, 756 (2004)
16. J.H.M. Beijersbergen, Q. Hui, M. Takami, *Phys. Lett. A* **181**, 393 (1993)
17. S.I. Kanorsky, M. Arndt, R. Dziewior, A. Weis, T.W. Hänsch, *Phys. Rev. B* **49**, 3645 (1994)
18. M. Arndt, R. Dziewior, S. Kanorsky, A. Weis, T.W. Hänsch, *Z. Phys. B* **98**, 377 (1995)
19. T. Furukawa, Y. Matsuo, A. Hatakeyama, Y. Fukuyama, T. Kobayashi, H. Izumi, T. Shimoda, *Phys. Rev. Lett.* **96**, 095301 (2006)
20. M. Melich, J. Dupont Roc, P. Jacquier, *J. Low Temp. Phys.* **150**, 301 (2008)
21. S. Kanorsky, S. Lang, T. Eichler, K. Winkler, A. Weis, *Phys. Rev. Lett.* **81**, 401 (1998)
22. K.O. Keshishev, A.Y. Parshin, A.B. Babkin, *Sov. Phys. J.E.T.P.* **53**, 362 (1981)
23. S. Kanorsky, A. Weis, M. Arndt, R. Dziewior, T.W. Hänsch, *Z. Phys. B* **98**, 371 (1995)
24. S. Nolte, C. Momma, H. Jacobs, A. Tünnermann, B. Chichkov, B. Wellegehausen, H. Welling, *J. Opt. Soc. Am. B* **14**, 2717 (1997)
25. A. Hofer, P. Moroshkin, S. Ulzega, A. Weis, *Eur. Phys. J. D* **46**, 9 (2008)
26. J.D. Jackson, *Classical Electrodynamics* (John Wiley & Sons, 1975)
27. B. Cagnac, J.P. Faroux, *Lasers* (EDP sciences/CNRS Éditions, 2002)
28. M. Melich, Ph.D. thesis, Université Paris VI (2008), <http://tel.archives-ouvertes.fr/tel-00351769/fr/>