



HAL
open science

Gaussian Broadcast Channels with an Orthogonal and Bidirectional Cooperation Link

Elena Veronica Belmega, Brice Djeumou, Samson Lasaulce

► **To cite this version:**

Elena Veronica Belmega, Brice Djeumou, Samson Lasaulce. Gaussian Broadcast Channels with an Orthogonal and Bidirectional Cooperation Link. EURASIP Journal on Wireless Communications and Networking, 2008, 2008, pp.ID 341726. 10.1155/2008/341726 . hal-00362265

HAL Id: hal-00362265

<https://hal.science/hal-00362265>

Submitted on 17 Feb 2009

HAL is a multi-disciplinary open access archive for the deposit and dissemination of scientific research documents, whether they are published or not. The documents may come from teaching and research institutions in France or abroad, or from public or private research centers.

L'archive ouverte pluridisciplinaire **HAL**, est destinée au dépôt et à la diffusion de documents scientifiques de niveau recherche, publiés ou non, émanant des établissements d'enseignement et de recherche français ou étrangers, des laboratoires publics ou privés.

Research Article

Gaussian Broadcast Channels with an Orthogonal and Bidirectional Cooperation Link

E. V. Belmega, B. Djeumou, and S. Lasaulce

Laboratoire des Signaux et Systèmes, CNRS-Supélec, Université Paris-Sud 11, 3 rue Joliot-Curie, 91192 Gif-sur-Yvette, Cedex, France

Correspondence should be addressed to B. Djeumou, djeumou@lss.supelec.fr

Received 12 July 2007; Revised 23 December 2007; Accepted 1 April 2008

Recommended by A. Lee Swindlehurst

This paper considers a system where one transmitter broadcasts a single common message to two receivers linked by a bidirectional cooperation channel, which is assumed to be orthogonal to the downlink channel. Assuming a simplified setup where, in particular, scalar relaying protocols are used and channel coding is not exploited, we want to provide elements of response to several questions of practical interest. Here are the main underlying issues: (1) the way of recombining the signals at the receivers; (2) the optimal number of cooperation rounds; (3) the way of cooperating (symmetrically or asymmetrically, which receiver should start cooperating in the latter case); and (4) the influence of spectral resources. These issues are considered by studying the performance of the assumed system through analytical results when they are derivable and through simulation results. For the particular choices we made, the results sometimes do not coincide with those available for the discrete counterpart of the studied channel.

Copyright © 2008 E. V. Belmega et al. This is an open access article distributed under the Creative Commons Attribution License, which permits unrestricted use, distribution, and reproduction in any medium, provided the original work is properly cited.

1. INTRODUCTION

In the conventional broadcast channel (BC) introduced by [1], one transmitter sends independent messages to several receivers. The channel under investigation in this paper differs from the original BC for at least two reasons. First, the receivers can cooperate in order to enhance the overall system performance. Second, the users want to decode the same message. We will refer to this situation as the cooperative broadcast channel (CBC) with a single common message. For the sake of simplicity, a 2-user CBC will be assumed. Note that the considered channel is also different from the original relay channel (RC) defined in [2], because each terminal not only acts as a relay but also as a receiver, which means that ultimately the information message has to be decoded by both terminals. Additionally, the cooperation channel between the two receivers is assumed to be bidirectional (versus unidirectional for the RC) and orthogonal to the downlink (DL) channels. Although their suboptimality, orthogonal channels are often assumed for practical reasons (e.g., it is difficult/impossible to implement relay receivers that receive and transmit at the same time in the same frequency band).

To the author's knowledge, the most significant contributions concerning the situation under investigation are [3–8].

(For example, the authors note that [9, 10] also addressed the CBC but did not focus on the common message case.) The *discrete* broadcast channel with a bidirectional conference link and a single common message was originally studied by Draper et al. in [3]. (The exact original definition of a conference link is given in [11]. It essentially consists of a noiseless channel with a finite capacity.) The authors proposed a way of decoding the message in multiple rounds and applied their scheme to the binary erasure channel. The corresponding coding-decoding scheme is based on the use of auxiliary variables, while a certain form of channel comparability is assumed through these variables. (Commenting on this concept is out of the scope of this paper. For more information, see [12–14]. Example: the channel $p(y_1 | x)$ is said to be less noisy than $p(y_2 | x)$ if for any auxiliary random variable U , $I(U; Y_1) \geq I(U; Y_2)$.) The main point here is that the achievable rates of [3] are not derived in the general case but assuming certain Markov chains.) This channel has also been analyzed by [8], where the authors essentially proposed achievable rates based on the use of estimate-and-forward (EF) at both receivers and two-round cooperation schemes. The Gaussian counterpart of this channel has been studied in [6]. Showing the optimality of decode-and-forward for an unidirectional cooperation, the authors evaluated the exact loss due to

the channel orthogonalization. For the bidirectional case, the proposed achievable rate is based on a combination of EF and decode-and-forward (DF) and shown to always outperform the pure EF-based solution (always for the 2-round decoding). Independently, [5] exploited a similar approach to analyze the Gaussian relay channel with a bidirectional cooperation. The fading case has been partially treated in [4]. The diversity-multiplexing tradeoff, achieved by using a “dynamic” version of decode-and-forward, is derived for the unidirectional cooperation case.

While the authors of [4, 6, 8] addressed situations, where only one or two cooperation exchanges (or decoding rounds) are allowed, this paper focuses on the case where the number of exchanges is arbitrary. For the erasure channels, [3, 7] have shown that the higher the number of exchanges, the better the performance in terms of information rate. However, the discrete channel analysis (including erasure channels) does not take into consideration the spectral resources aspect. As it will be seen, this point is in fact crucial and accounting for it can lead to markedly different conclusions from [3, 7] concerning the optimum number of cooperation exchanges. Additionally, [3, 7] only considered the information rate as a performance criterion, whereas other criteria of interest can also be considered. Although assuming special cases of relaying protocols, this paper aims precisely at taking into account these two aspects for providing some insights to the following issues.

- (1) The way of recombining the signals at the receivers. Indeed, the receiver can combine the cooperation signal with either its downlink signal or the combiner output from the previous iteration. Also, the choice of the combining scheme (which depends on the assumed relaying protocol) will also be discussed.
- (2) The optimal number of the cooperation rounds. In contrast to the discrete case, this number will be shown to be less than or equal to 2 if the cooperation protocols are properly chosen.
- (3) The way of cooperating. The choice between symmetric and asymmetric can be made based on a simple discussion, but it will also be illustrated by numerical results. Simulations will also indicate the relative importance of the order in which the receivers start to cooperate.
- (4) The influence of the spectral resources on the three mentioned issues will be assessed. Two different assumptions are made: (\mathcal{H}_1) the total system bandwidth is fixed; (\mathcal{H}_2) only the downlink channel bandwidth is fixed.

In order to provide elements of response to these questions we will use a simplified approach. After presenting the used system model (Section 2), we will evaluate the exact equivalent signal-to-noise ratio (SNR) in the output of the maximum ratio combiner (MRC) for each user (Section 3) in the case where a scalar, memoryless, zero-delay, and amplify-and-forward protocol (AF) is assumed at both receivers. This will be done for several cooperation strategies. In order to

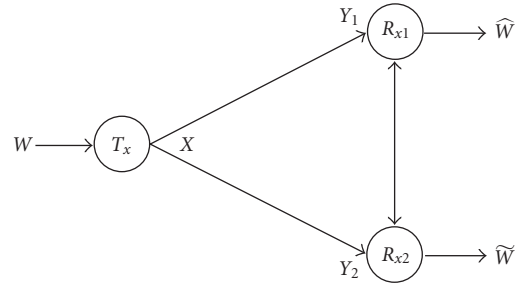


FIGURE 1: The cooperative broadcast channel with a single common message (W) and an orthogonal and bidirectional cooperation channel.

assess the influence of the relaying protocol on the aforementioned issues, we will also evaluate the system performance when DF is used at the relay. In this case, a more sophisticated combiner (namely, a maximum-likelihood detector—MLD), which is provided in Section 4, has to be used at the receivers. Based on the choice of different system performance criteria (Section 5.1), numerical and simulation analyses will be conducted (Section 5). Concluding remarks and possible extensions of the present work will be provided in Section 6.

2. SYSTEM MODEL

As mentioned in the previous section, the system under investigation (see Figure 1) comprises one transmitter (source) and two receivers (destinations). The transmitted signal is denoted by X and subject to a power constraint: $\mathbb{E}[X^2] \leq P$. Its bandwidth is denoted by B_{DL} . For the sake of simplicity, X will be assumed to be a scalar quantity, for example, a Gaussian input or a quadrature amplitude modulation (QAM) symbol. Assuming an additive white Gaussian noise (AWGN) model for the different links of the system, the baseband downlink signals write:

$$\begin{aligned} Y_1 &= X + Z_1, \\ Y_2 &= X + Z_2, \end{aligned} \quad (1)$$

where for all $j \in \{1, 2\}$, $Z_j \sim \mathcal{CN}(0, n_j B_{DL})$, n_j is the noise power spectral density for receiver j , and $I(Z_1; Z_2) = 0$. We will assume that orthogonality between the downlink and cooperation channels is implemented by frequency division (FD). The bandwidth allocated to the cooperation channel between the two receivers is denoted by B_C . The cooperation channel can be divided into several subchannels, each of them having a bandwidth equal to ΔB . The two receivers cooperate by applying the same relaying strategy, namely, either the AF protocol or DF protocol. Using the AF protocol imposes the condition $\Delta B = B_{DL}$, whereas ΔB and B_{DL} can be chosen independently (or possibly through a compatibility constraint between the source and relay data rates) when DF is used for relaying. Regarding the spectral resources aspect, two different scenarios will be considered. In the first scenario, we assume that $B_{DL} + B_C = \text{const.}$ (*Assumption \mathcal{H}_1*). This corresponds to the situation, where the total

system bandwidth is fixed, which is generally assumed to fairly compare two systems *before* implementation. In the second scenario, we assume that $B_{\text{DL}} = \text{const.}$ (*Assumption \mathcal{H}_2*), which does not lead to fair comparisons in terms of bandwidth since the cooperation channel bandwidth can be chosen arbitrarily. The attention of the reader is drawn to the fact that, although unfair, this scenario still makes sense in the real life. For instance, consider the case where one wants to assess the benefits of cooperation by coupling two *existing* communication systems such as a digital video broadcasting (DVB) system and a cellular system. As modifying the DVB system, the downlink signal bandwidth would be a difficult/an impossible task; the second assumption, which amounts to extending the available bandwidth, is more appropriate for comparing a DVB system with its terrestrial cooperation-based counterpart.

At last, we will assume scalar and zero-delay relaying. In real situations, this can be implemented for instance by resynchronizing the downlink and cooperation signals at the receivers. The main advantage for assuming scalar protocols is that the additional complexity caused by the cooperation is low; it does not imply large decoding delays and some analytical results can be derived. As in [8], two main ways to cooperate are distinguished in this paper: the symmetric cooperation and asymmetric cooperation. The main distinction between these cooperation types is that for the symmetric cooperation the receivers exchange their cooperation signal simultaneously, while in the asymmetric cooperation the exchanges are done sequentially, that is, one receiver sends a cooperation signal at a given time. In the case where each receiver amplifies and forwards its received downlink signal, the symmetric cooperation can be seen as a special case of the asymmetric cooperation.

3. THE CASE OF AMPLIFY-AND-FORWARD

3.1. Selected combining scheme

Let us consider the first cooperation round for the symmetric cooperation. Each receiver (e.g., Receiver 1) amplifies and forwards his received downlink signal (Y_1 for Receiver 1) to his partner (Receiver 2). This is done simultaneously. Then, each receiver (say Receiver 2) has to combine its downlink signal with the cooperation signal received from his partner ($Y_{12}^{(1)} = a_{12}^{(1)} Y_1 + Z_{12}^{(1)}$). To combine these signals we chose the MRC. The motivation for this choice is threefold. First, one of the features of the MRC is that it is simple. The MRC has also two properties. By definition, it maximizes the equivalent SNR at its output. As shown in Appendix A, it also maintains the mutual information constant. The data processing theorem indicates that the MI between X and the MRC output has to be less than or equal to the MI between X and its (vector) input. It turns out that for the choice of weights maximizing the equivalent SNR, there is no loss of MI. At last, an additional motivation for the MRC is that it can be proved that using a more advanced combiner such as the MMSE will bring nothing more by taking into account the structure and statistics of the different signals. Now, consider the second iteration of the

cooperation procedure. Each receiver has at least two choices in terms of cooperation signals to be sent: it can continue to send its original downlink signal (*Strategy \mathcal{S}_2*), or it can send the MRC output from the previous iteration (*Strategy \mathcal{S}_1*). The first (\mathcal{S}_1) strategy is the counterpart of the strategy presented in [8] for the discrete CBC. Normally, this strategy is intended to be better than the second one (\mathcal{S}_2) since the receiver can “denoise” or remove some wrong information bits from the estimated data flow. Here, in our simplified setup (channel decoding is not exploited), the goal is to prove the intuition that sending to your partner what you received from him cannot improve the performance, which ultimately means that the second strategy is better than the first one.

3.2. Received signals

Consider the case of the symmetric cooperation. To denote the signals of interest for a given cooperation round or iteration i , with $i \in \{1, \dots, K_s\}$, we will use the following notations:

$$\begin{aligned} Y_I^{(i)} &= \alpha_I^{(i)} X + Z_I^{(i)}, \\ Y_{II}^{(i)} &= \alpha_{II}^{(i)} X + Z_{II}^{(i)}, \\ Y_{12}^{(i)} &= a_{12}^{(i)} Y_I^{(j)} + Z_{12}^{(i)}, \\ Y_{21}^{(i)} &= a_{21}^{(i)} Y_{II}^{(j)} + Z_{21}^{(i)}, \end{aligned} \quad (2)$$

where $Y_I^{(i)}$ (resp., $Y_{II}^{(i)}$) corresponds to the MRC output at iteration i and Receiver 1 (resp., Receiver 2), $a_{12}^{(i)}$, $a_{21}^{(i)}$ are the scalar AF protocol amplification gains, which are determined by the total cooperation powers available: P_{12} at Receiver 1 and P_{21} at Receiver 2. At last, $Y_I^{(0)} = Y_1$, $Y_{II}^{(0)} = Y_2$, $j = i - 1$ for the strategy \mathcal{S}_1 and $j = 0$ for the strategy \mathcal{S}_2 . For the asymmetric cooperation, we will keep the same notations for the signals of interest as in the symmetric case. However, in contrast to the symmetric cooperation, combining operations take place at Receiver 2 for odd indices i only, and at Receiver 1 for even indices i only (under the assumption that Receiver 1 starts relaying).

Whereas the notations are identical for the asymmetric cooperation and symmetric cooperation, the bandwidth of the cooperation channel is defined differently. If one denotes by K_s the number of pairs of cooperation exchanges in the case of symmetric cooperation, we have

$$\Delta B = \begin{cases} \frac{B}{2K_s + 1}, & \text{when } B_{\text{DL}} + B_C = \text{const.} \triangleq B, \\ B, & \text{when } B_{\text{DL}} = \text{const.} \triangleq B, \end{cases} \quad (3)$$

and if one denotes by K_a the number of cooperation exchanges in the case of asymmetric cooperation, we have

$$\Delta B = \begin{cases} \frac{B}{K_a + 1}, & \text{when } B_{\text{DL}} + B_C = \text{const.} \triangleq B, \\ B, & \text{when } B_{\text{DL}} = \text{const.} \triangleq B, \end{cases} \quad (4)$$

3.3. Equivalent SNR analysis

The purpose of this section is to evaluate analytically the equivalent SNR at the MRC output after an arbitrary number of cooperation rounds for the two mentioned strategies. This allows us not only to compare them in terms of the SNR, but also to use this knowledge to evaluate other performance criteria presented in Section 5.1.

3.3.1. The case of the strategy \mathcal{S}_1

In this case, it turns out that it is not possible, in general, to express the equivalent SNR as a function of the sole channel parameters (P, P_{12}, n_1, \dots) . In fact, the equivalent SNR has to be determined recursively. The purpose of Theorem 1 (see Appendix B) is precisely to provide this relationship, both for the asymmetric and the symmetric cooperation types. Before providing this theorem and the two underlying propositions, we need to mention and detail one important point regarding the interest in these results. First, let us consider the case where the system bandwidth is fixed. Imposing $\Delta B = B/(K+1)$ (with $K = K_a$ or $K = 2K_s$, depending on the context) allows us to perform fair comparisons in terms of spectral resources whatever the value for K . However, the cases $K = 0$, $K = 1$ and $K = 2$ do never correspond to fair comparisons in terms of power since they, respectively, correspond to $(P, P_{12} = 0, P_{21} = 0)$, $(P, P_{12}, P_{21} = 0)$, and (P, P_{12}, P_{21}) . For $K \geq 2$, the comparisons are spectrally fair because the total cooperation powers are kept fixed.

Theorem 1 (general expression for the equivalent SNRs). *Assume that $n_1 < n_2$ and Receiver 2 performs the MRC task in the first place if asymmetric cooperation is considered. For iteration $i \in \{1, \dots, K\}$, the corresponding weights are denoted by $w_2^{(i)}$ (weighting the MRC output at iteration $i-1$) and $w_1^{(i)}$ (weighting the cooperation signal). For Receiver 1 the weights are denoted by $w_1^{(i)}$, $w_{21}^{(i)}$. Denote by $Y_I^{(i)} = \alpha_I^{(i)}X + Z_I^{(i)}$ (resp., $Y_{II}^{(i)} = \alpha_{II}^{(i)}X + Z_{II}^{(i)}$) the signal at MRC output for Receiver 1 (resp., Receiver 2) and iteration i , with $Z_I^{(i)} \sim \mathcal{N}(0, N_I^{(i)})$ (resp., $Z_{II}^{(i)} \sim \mathcal{N}(0, N_{II}^{(i)})$). Let $\rho_I^{(i)}$ (resp., $\rho_{II}^{(i)}$) be the signal-to-noise ratio associated with the signal $Y_I^{(i)}$ (resp., $Y_{II}^{(i)}$). The SNRs $\rho_I^{(i)} \triangleq \mathcal{S}_I^{(i)}/\mathcal{T}_I^{(i)}$ and $\rho_{II}^{(i)} \triangleq \mathcal{S}_{II}^{(i)}/\mathcal{T}_{II}^{(i)}$ can be determined recursively as follows:*

$$\begin{aligned} \mathcal{S}_{II}^{(i)} &= \alpha_I^{(i-1)} \alpha_{II}^{(i-1)} (e^{(i-1)} + e^{(i-1),*}) \rho_I^{(i-1)} \rho_{II}^{(i-1)} \rho_{12} \\ &\quad - (\alpha_I^{(i-1)} \alpha_{II}^{(i-1)})^2 P [\rho_{II}^{(i-1)} (1 + \rho_I^{(i-1)}) + \rho_{12} (\rho_I^{(i-1)} + \rho_{II}^{(i-1)})] \\ \mathcal{T}_{II}^{(i)} &= \frac{e^{(i-1)} e^{(i-1),*}}{P} \rho_I^{(i-1)} \rho_{II}^{(i-1)} \rho_{12} - (\alpha_I^{(i-1)} \alpha_{II}^{(i-1)})^2 P (1 + \rho_{12}) \\ &\quad - (\alpha_I^{(i-1)})^2 N_{II}^{(i-1)} \rho_I^{(i-1)} \rho_{II}^{(i-1)}, \end{aligned} \quad (5)$$

where $\rho_{12} = P_{12}/n_{12}\Delta B$, k is a constant depending on the cooperation scheme (asymmetric or symmetric), $(\cdot)^*$ denotes the conjugate, $e^{(0)} = 0$, $N_I^{(0)} = N_1$, $N_{II}^{(0)} = N_2$, $\rho_I^{(0)} = P/N_1$, $\rho_{II}^{(0)} = P/N_2$, $\alpha_I^{(0)} = \alpha_{II}^{(0)} = 1$. The amplification

gains are defined by $a_{12}^{(i)} = \sqrt{P_{12}^{(i)}/((\alpha_I^{(i-1)})^2 P + N_I^{(i-1)})}$, $a_{21}^{(i)} = \sqrt{P_{21}^{(i)}/((\alpha_{II}^{(i-1)})^2 P + N_{II}^{(i-1)})}$, and $P_{12}^{(i)}$, $P_{21}^{(i)}$ are the available cooperation powers per subchannel. For the SNR $\rho_I^{(i)}$ do the following changes for the indices: $I \leftrightarrow II$ and $1 \leftrightarrow 2$.

The expressions of the signals coefficients $\alpha_I^{(i)}$, $\alpha_{II}^{(i)}$, the cooperation powers per subchannel $P_{12}^{(i)}$, $P_{21}^{(i)}$ and the equivalent noise powers $N_I^{(i)}$, $N_{II}^{(i)}$ depend on the cooperation type. Expressing these quantities is the purpose of the following two propositions.

Proposition 1 (MRC weights for the symmetric cooperation). *For the symmetric cooperation the MRC weights can be shown to be*

$$\begin{aligned} w_{12}^{(i)} &= a_{12}^{(i)} \alpha_I^{(i-1)} N_{II}^{(i-1)} - a_{12}^{(i)} \alpha_{II}^{(i-1)} e^{(i-1)}, \\ w_2^{(i)} &= [(a_{12}^{(i)})^2 N_I^{(i-1)} + N_{12}^{(i)}] \alpha_I^{(i-1)} - (a_{12}^{(i)})^2 \alpha_I^{(i-1)} e^{(i-1),*}, \\ w_{21}^{(i)} &= a_{21}^{(i)} \alpha_{II}^{(i-1)} N_I^{(i-1)} - a_{21}^{(i)} \alpha_I^{(i-1)} e^{(i-1),*}, \\ w_1^{(i)} &= [(a_{21}^{(i)})^2 N_{II}^{(i-1)} + N_{21}^{(i)}] \alpha_{II}^{(i-1)} - (a_{21}^{(i)})^2 \alpha_{II}^{(i-1)} e^{(i-1)}, \end{aligned} \quad (6)$$

where

$$\begin{aligned} \text{(i)} \quad e^{(i-1)} &\triangleq E[Z_I^{(i-1)} Z_{II}^{(i-1),*}] \text{ with} \\ e^{(i)} &= w_{12}^{(i)} a_{12}^{(i)} w_1^{(i)} N_I^{(i-1)} + w_{21}^{(i)} a_{21}^{(i)} w_2^{(i)} N_{II}^{(i-1)} \\ &\quad + [w_1^{(i)} w_2^{(i)} + w_{12}^{(i)} a_{12}^{(i)} w_{21}^{(i)} a_{21}^{(i)}] e^{(i-1)}; \end{aligned} \quad (7)$$

(ii) for all $i \in \{1, \dots, K_s\}$ the useful signal coefficients are given by

$$\begin{aligned} \alpha_I^{(i)} &= w_{21}^{(i)} a_{21}^{(i)} \alpha_{II}^{(i-1)} + w_1^{(i)} \alpha_I^{(i-1)}, \\ \alpha_{II}^{(i)} &= w_{12}^{(i)} a_{12}^{(i)} \alpha_I^{(i-1)} + w_2^{(i)} \alpha_{II}^{(i-1)}; \end{aligned} \quad (8)$$

(iii) the cooperation powers per subchannel are for all $i \in \{1, \dots, K_s\}$ given by

$$\begin{aligned} P_{12}^{(i)} &= \frac{P_{12}}{K_s}, \\ P_{21}^{(i)} &= \frac{P_{21}}{K_s}; \end{aligned} \quad (9)$$

(iv) the equivalent noise powers $N_I^{(i)}$, $N_{II}^{(i)}$ are determined through

$$\begin{aligned} Z_I^{(i)} &= w_{21}^{(i)} a_{21}^{(i)} Z_{II}^{(i-1)} + w_{21}^{(i)} Z_{21}^{(i)} + w_1^{(i)} Z_I^{(i-1)}, \\ Z_{II}^{(i)} &= w_{12}^{(i)} a_{12}^{(i)} Z_I^{(i-1)} + w_{12}^{(i)} Z_{12}^{(i)} + w_2^{(i)} Z_{II}^{(i-1)}; \end{aligned} \quad (10)$$

(v) for all $i \in \{1, \dots, K_s\}$: $N_{12}^{(i)} = n_{12}\Delta B$ and $N_{21}^{(i)} = n_{21}\Delta B$;

(vi) the constant k of Theorem 1 equals $(2K_s + 1)/K_s$.

Proposition 2 (MRC weights for the asymmetric cooperation). *For the asymmetric cooperation, the MRC weights can be shown to coincide with that of Proposition 1, where*

$$(i) e^{(i-1)} \triangleq E[Z_I^{(i-1)} Z_{II}^{(i-1),*}] \text{ with}$$

$$e^{(i)} = \begin{cases} w_1^{(i)} e^{(i-1)} + w_{21}^{(i)} a_{21}^{(i)} N_{II}^{(i-1)} & \text{for } i \text{ even,} \\ w_2^{(i)} e^{(i-1)} + w_{12}^{(i)} a_{12}^{(i)} N_I^{(i-1)} & \text{for } i \text{ odd;} \end{cases} \quad (11)$$

(ii) the useful signal coefficients are given by

$$\alpha_I^{(i)} = \begin{cases} w_{21}^{(i)} a_{21}^{(i)} \alpha_{II}^{(i-1)} + w_1^{(i)} \alpha_I^{(i-1)} & \text{for } i \text{ even,} \\ \alpha_I^{(i-1)} & \text{for } i \text{ odd,} \end{cases}$$

$$\alpha_{II}^{(i)} = \begin{cases} \alpha_{II}^{(i-1)} & \text{for } i \text{ even,} \\ w_{12}^{(i)} a_{12}^{(i)} \alpha_I^{(i-1)} + w_2^{(i)} \alpha_{II}^{(i-1)} & \text{for } i \text{ odd;} \end{cases} \quad (12)$$

(iii) the cooperation powers per subchannel are for all $i \in \{1, \dots, K_a\}$:

$$P_{12}^{(i)} = \begin{cases} \frac{2P_{12}}{K_a} & \text{for } K_a \text{ even,} \\ \frac{2P_{12}}{K_a + 1} & \text{for } K_a \text{ odd,} \end{cases}$$

$$P_{21}^{(i)} = \begin{cases} \frac{2P_{21}}{K_a} & \text{for } K_a \text{ even,} \\ \frac{2P_{21}}{K_a - 1} & \text{for } K_a \text{ odd, } K_a \geq 3; \end{cases} \quad (13)$$

(iv) the equivalent noise powers $N_I^{(i)}$, $N_{II}^{(i)}$ are determined through

$$Z_I^{(i)} = \begin{cases} w_{21}^{(i)} a_{21}^{(i)} Z_{II}^{(i-1)} + w_{21}^{(i)} Z_{21}^{(i)} + w_1^{(i)} Z_I^{(i-1)} & \text{for } i \text{ even,} \\ Z_I^{(i-1)} & \text{for } i \text{ odd,} \end{cases}$$

$$Z_{II}^{(i)} = \begin{cases} Z_{II}^{(i-1)} & \text{for } i \text{ even,} \\ w_{12}^{(i)} a_{12}^{(i)} Z_I^{(i-1)} + w_{12}^{(i)} Z_{12}^{(i)} + w_2^{(i)} Z_{II}^{(i-1)} & \text{for } i \text{ odd;} \end{cases} \quad (14)$$

(v) for all $i \in \{1, \dots, K_a\}$: $N_{12}^{(i)} = n_{12} \Delta B$ and $N_{21}^{(i)} = n_{21} \Delta B$, the constant k of Theorem 1 equals 1.

The theorem and propositions provided here are proved in Appendices B, C, and D.

3.3.2. The case of the strategy \mathcal{S}_2

As the strategy \mathcal{S}_2 consists in always sending to the other receiver the downlink signal, it can be easily checked that the performance of the symmetric case with a number of pairs of cooperation rounds equal to K_s is the same as the asymmetric case with $2K_s$ cooperation rounds. As the symmetric case is

easier to expose and the derivations in both cases are similar, we restrict our attention to the symmetric case here. The received signals are particularly simple to express in the case of strategy \mathcal{S}_2 :

$$Y_I^{(i)} = \left(w_1 + \sum_{i=1}^{K_s} w_{21}^{(i)} a_{21}^{(K_s)} \right) X + Z_1 + \sum_{i=1}^{K_s} w_{21}^{(i)} Z_2 + Z_{21}^{(i)},$$

$$Y_{II}^{(i)} = \left(w_2 + \sum_{i=1}^{K_s} w_{12}^{(i)} a_{12}^{(K_s)} \right) X + Z_2 + \sum_{i=1}^{K_s} w_{12}^{(i)} Z_1 + Z_{12}^{(i)}, \quad (15)$$

where it can be checked that $w_1 = 1/N_1$, $w_{21}^{(1)} = \dots = w_{21}^{(K_s)} = a_{21}^{(K_s)} / (K_s (a_{21}^{(K_s)})^2 N_2 + N_{21})$, $w_2 = 1/N_2$, and $w_{12}^{(1)} = \dots = w_{12}^{(K_s)} = a_{12}^{(2)} / (K_s (a_{12}^{(2)})^2 N_1 + N_{12})$. We obtain that

$$\rho_I^{(i)} = \left[\frac{1}{N_1} + \frac{K_s (a_{21}^{(K_s)})^2}{K_s (a_{21}^{(2)})^2 N_2 + N_{21}} \right] P$$

$$= \left[\frac{1}{N_1} + \frac{(a_{21}^{(1)})^2}{(a_{21}^{(1)})^2 N_2 + N_{21}} \right] P$$

$$= \rho_1 + \rho_{21}^{\text{eff}}, \quad (16)$$

$$\rho_{II}^{(i)} = \left(\frac{1}{N_2} + \frac{K_s (a_{12}^{(K_s)})^2}{K_s (a_{12}^{(2)})^2 N_1 + N_{12}} \right) P$$

$$= \left[\frac{1}{N_2} + \frac{(a_{12}^{(1)})^2}{(a_{12}^{(1)})^2 N_1 + N_{12}} \right] P$$

$$= \rho_2 + \rho_{12}^{\text{eff}},$$

where the equalities at the right come from $a_{12}^{(K_s)} = a_{12}^{(1)} / \sqrt{K_s}$ and $a_{21}^{(K_s)} = a_{21}^{(1)} / \sqrt{K_s}$, with $a_{12}^{(1)} = \sqrt{P_{12} / (P_1 + N_1)}$ and $a_{21}^{(1)} = \sqrt{P_{21} / (P_2 + N_2)}$.

The main observation to be made here is that if we consider the case of the fixed downlink channel bandwidth (this case also implies that N_1 , N_2 , N_{12} , and N_{21} are independent of the number of cooperation exchanges), the equivalent SNRs do not depend on the cooperation round index for $i \geq 2$. Therefore, the average effect brought by the MRC is exactly compensated by the loss in terms of cooperation power per exchange, the latter being translated by the amplification gains $a_{12}^{(i)} = a_{12}^{(1)} / \sqrt{K_s}$, $a_{21}^{(i)} = a_{21}^{(1)} / \sqrt{K_s}$.

3.3.3. Comparison of the two strategies

The ideal result we would like to obtain is to determine the sign of $\rho_{I, \mathcal{S}_2}^{(i)} - \rho_{I, \mathcal{S}_1}^{(i)}$ for any cooperation round index i . It turns out that this is not easy and the underlying expressions become more and more complicated as i increases. Therefore, we chose to explicit the aforementioned difference in a specific case, but the reasoning can be applied to other case of interest. For the asymmetric case (the most general one)

with $K_a = 2$ and when the downlink bandwidth is constant, one can show that the numerator of $\rho_{I,\delta_2}^{(i)} - \rho_{I,\delta_1}^{(i)}$ expresses as

$$\begin{aligned} & \text{Num}(\rho_{I,\delta_2}^{(i)} - \rho_{I,\delta_1}^{(i)}) \\ &= PN_2P_{21}P_{12}(2N_{21}N_{12}P^2 + PN_{21}N_{12}N_2 + 2PN_1N_{21}N_{12} \\ & \quad + PP_{21}N_{12}N_2 + 2PN_1P_{12}N_{21} + PP_{12}N_{21}N_2 \\ & \quad + N_1N_{21}N_{12}N_2 + N_1P_{21}N_{12}N_2 + N_1P_{12}N_{21}N_2) \\ & \geq 0. \end{aligned} \tag{17}$$

This result shows that for two cooperation rounds, it is better for the partner to send his downlink signal than the MRC output. Simulation results will allow us to better quantify this difference for any number of cooperation rounds.

4. THE CASE OF DECODE-AND-FORWARD

4.1. Differences between the AF and DF cases

In Section 3, we assumed a scalar AF protocol for cooperation between the two receivers. For the considered scenario, we calculated the equivalent SNR at the MRC output, after an arbitrary number of cooperation exchanges. This calculation did not require any assumption on the signals transmitted by the source and the relays. In particular, a Gaussian signal could be assumed at the source and relays and, therefore, the equivalent SNRs could be used to obtain an achievable transmission rate for the considered system. In this section, we assume *finite* modulations at the source and relays (typically QAM modulations). Now, the relay tries to recover the source information messages and re-encodes and remodulates them into symbols to be sent to the destination. Ideally, these symbols would be the source symbols. Therefore, one can define, for each relay a discrete-input, discrete-output channel between the source and each relay output. The transition probabilities of each of these channels are directly linked to the considered downlink channel SNR and the error-correction capacity of the decoder.

Assuming decode-and-forward type protocols at the relays implies three main differences between the AF and DF cases:

- (1) the MRC is the optimum combiner when AF is assumed for relaying. When a DF-type relaying protocol is assumed, some decoding noise is introduced by the relay, which is not compensated for by the MRC. As the simulation results of [15] show, using an MRC can even degrade the performance of the destination (with respect to the noncooperative counterpart) in the case, where the relay introduces too much decoding noise. In order to extract the best of cooperation under any condition when DF is assumed, we will present a generalized version of the maximum-likelihood detector (MLD) originally introduced by [16] and recently reused by [15, 17];
- (2) in Section 3, the MRC was combining, at a given cooperation round, the cooperation signal with the

last recombined signal (from the previous round). It turns out that this assumption really complicates the derivation of the optimum detector. In order to derive the ML detector, we will suppose that the MLD always combines the cooperation signal with the signal directly received from the source;

- (3) as we have already mentioned, the bandwidth of the signals transmitted by the AF-based relays has to be equal to the downlink signal bandwidth. When DF is assumed, the downlink and cooperation signals can have different bandwidths since the relay can use a different modulation from the one used by the source. In contrast to the AF case, the constraint $\Delta B = B_{DL}$ is, therefore, relaxed for the DF case. In the case of the AF protocol with fixed total bandwidth, the problem of determining the optimum number of cooperation exchanges was equivalent to the bandwidth allocation problem. Here, the frequency allocation problem consists in both, determining the fraction of bandwidth to be allocated to the DL channels and determining the number of orthogonal subbands of the cooperation channel. In this paper, we will not treat this issue in its generality since we will only consider the case where the downlink bandwidth is fixed. As said earlier, comparing such a cooperative system with its noncooperative version ($P_{12} = 0$, $P_{21} = 0$, $B_C = 0$) is unarguably unfair in terms of spectral and power resources. However, making the assumption $B_{DL} = \text{const.}$ has two strong advantages: it corresponds to real scenarios which the engineers have to face with and it allows us to keep the modulation-coding scheme at the source to be fixed.

As it will be seen, these simplifying assumptions will lead to results and observations that can provide some insight into the way of cooperating in practical cases, for example, a DVB system coupled with a cellular system. Indeed, for DVB systems, the DL signal bandwidth is typically 20 MHz, while receivers in cellular systems have a bandwidth of a couple of MHz (5 MHz in UMTS systems). Taking into account the fact that the DF protocol does not impose the DL and the cooperation signals bandwidths to be equal, it seems to be suited to the situation taken for illustration.

4.2. Symmetric and asymmetric cooperation types: definitions

Since we have already defined the asymmetric and symmetric cooperation types for the AF protocol, we will just briefly mention the main feature of the case under investigation. Figures 2 and 3 define the two corresponding schemes. As mentioned above, an ML detector is used at the receivers instead of the MRC. Indeed, the possible presence of decoding noise in the decoded and forwarded signal makes the equivalent noise at the receiver non-Gaussian and correlated with the useful signal. Therefore, the equivalent SNR is not always a good performance criterion. This is why no SNR analysis will be made here. Instead, we will provide raw BER performance through simulation results.

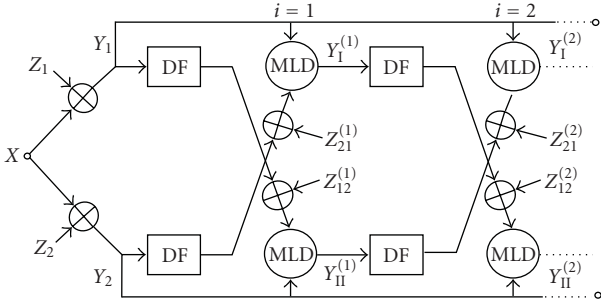


FIGURE 2: DF-based symmetric cooperation.

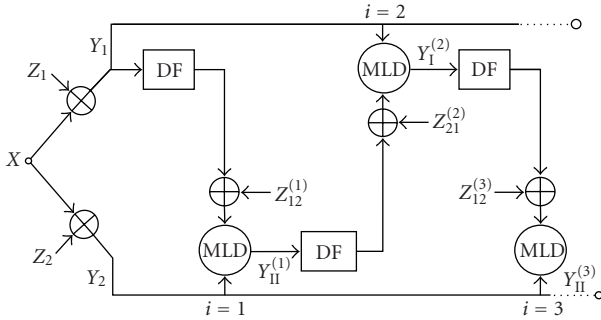


FIGURE 3: DF-based asymmetric cooperation.

4.3. Maximum-likelihood detector

The purpose of this section is to present a generalized version of the ML combiner used in [15–17]. In these works, the authors assumed a binary-phase shift keying modulation at the source and relay, and derived the corresponding ML detector. The authors of [15] showed that, under this assumption, the gain provided by the MLD over the MRC can be significant when the relay has a receive SNR close to (or less than) the destination SNR, and it is negligible otherwise. In this paper, the reason for extending the MLD of [15–17] is twofold:

- (i) we want the receiver to optimally combine the signals it receives whatever the noise level at the relay;
- (ii) it also turns out that the MRC does not seem to be suited for combining signals using *different constellations* and its derivation is not ready, perhaps impossible.

Before providing the signal model used for the derivation of the MLD, we consider a special case in order to clearly explain the idea of compatibility between the modulations used by the source and relay. Assume that $B_{DL} = B$, $B_C = B/4$, $K = 1$, and the source transmits at the rate of $d = 1$ bpcu. As the relay has to use the channel twice more often than the source, the relay has to transmit 4 bpcu in order to send at the same coded bit rate as the source. For example, if the source and relay implement the same kind of transmit filters (e.g., a root-raised-cosine filter) and the source uses a BPSK modulation, the relay can use a 16-QAM modulation. (For this type of filters the filter bandwidth is proportional to

the symbol rate.) In this example, the MLD has to combine one 16-QAM symbol with four BPSK symbols. In general, the MLD will have to combine r M_r -ary symbols from the relay with s M_s -ary symbols from the source, where r and s are linked through the condition of conservation of the coded bit rate between the input and output of the relay: $r \log_2 M_r = s \log_2 M_s \triangleq n$.

Without loss of generality, assume $K = 1$, consider that Receiver 1 sends a cooperation signal to Receiver 2 and express the signals received by the latter destination:

$$\begin{aligned}
 Y_2^{(1)} &= X^{(1)} + Z_2^{(1)}, \\
 &\vdots \\
 Y_2^{(s)} &= X^{(s)} + Z_2^{(s)}, \\
 Y_{12}^{(1)} &= a_{12} \epsilon^{(1)} X_I^{(1)} + Z_{12}^{(1)}, \\
 &\vdots \\
 Y_{12}^{(r)} &= a_{12} \epsilon^{(r)} X_I^{(r)} + Z_{12}^{(r)},
 \end{aligned} \tag{18}$$

where for all $i \in \{1, \dots, r\}$, $X^{(i)} \in \{x_1, \dots, x_{M_r}\}$, for all $i \in \{1, \dots, r\}$, $X_I^{(i)} \in \{x_{I,1}, \dots, x_{I,M_r}\}$, and the random variables $\epsilon^{(i)}$ model the decoding noise introduced by the relay. For example, when the relay uses a QPSK modulation, $\epsilon^{(i)} \in \{1, e^{j(\pi/2)}, e^{j\pi}, e^{j(3\pi/2)}\}$. Now, in order to express the likelihood at Receiver 2, we introduce the following notations: $\underline{Y}_2 = (Y_2^{(1)}, \dots, Y_2^{(s)})$, $\underline{Y}_{12} = (Y_{12}^{(1)}, \dots, Y_{12}^{(r)})$, $\underline{b} = (b_1, \dots, b_n)$ that denote the vector of coded bits associated with the *ordered* vector of symbols $\underline{X} = (X^{(1)}, \dots, X^{(r)})$. We want to express the likelihood $p_{ML} = p(\underline{y}_2, \underline{y}_{12} | \underline{b})$. We have

$$\begin{aligned}
 p_{ML} &= p(\underline{y}_2, \underline{y}_{12} | \underline{b}) \\
 &\stackrel{(a)}{=} p(\underline{y}_2, \underline{y}_{12} | \underline{x}) \\
 &\stackrel{(b)}{=} p(\underline{y}_2 | \underline{x}) p(\underline{y}_{12} | \underline{x}),
 \end{aligned} \tag{19}$$

where

- (a) there is a one-to-one mapping between \underline{X} and \underline{b} ;
- (b) the noises of the downlink and the cooperative channels are independent.

Denoting $N_2 = n_2 B_{DL}$, the first term of the product in (20) expresses as

$$\begin{aligned}
 p(\underline{y}_2 | \underline{x}) &= p(y_2^{(1)}, \dots, y_2^{(s)} | x^{(1)}, \dots, x^{(r)}) \\
 &= \prod_{i=1}^r p(y_2^{(i)} | x^{(i)}) \\
 &= \prod_{i=1}^r \frac{1}{\pi N_2} \exp\left(-\frac{|y_2^{(i)} - x^{(i)}|^2}{N_2}\right).
 \end{aligned} \tag{20}$$

By denoting $N_{12} = n_{12}\Delta B$, the second term can be expanded as follows:

$$\begin{aligned}
p(\underline{y}_{12} | \underline{x}) &= p(\underline{y}_{12} | \underline{b}) \\
&= p(y_{12}^{(1)}, \dots, y_{12}^{(s)} | b_1, \dots, b_n) \\
&\stackrel{(c)}{=} \prod_{i=1}^s p(y_{12}^{(i)} | b_{(i-1)\log_2 M_s + 1}, \dots, b_{i\log_2 M_s}) \\
&= \prod_{i=1}^s p(y_{12}^{(i)} | x_I^{(i)}) \\
&\stackrel{(d)}{=} \prod_{i=1}^s \sum_{j=1}^{M_s} \Pr[\epsilon^{(i)} = \epsilon_j^{(i)} | x_I^{(i)}] p(y_{12}^{(i)} | x_I^{(i)}, \epsilon^{(i)} = \epsilon_j^{(i)}) \\
&= \prod_{i=1}^s \sum_{j=1}^{M_s} \Pr[\epsilon^{(i)} = \epsilon_j^{(i)} | x_I^{(i)}] \frac{1}{\pi N_{12}} \\
&\quad \times \exp\left(-\frac{|y_{12}^{(i)} - \epsilon_j^{(i)} x_I^{(i)}|^2}{N_{12}}\right)
\end{aligned} \tag{21}$$

with

(c) given $x_I^{(i)}$, the signal $y_{12}^{(i)}$ is independent of $x_I^{(j)}$ for $j \neq i$; remind that $x_I^{(i)}$ is associated with $(b_{(i-1)\log_2 M_s + 1}, \dots, b_{i\log_2 M_s})$;

(d) is obtained by marginalizing over $\epsilon^{(i)}$.

As in [18], we want to express the log-likelihood ratio associated with a given coded bit as a function of the likelihood expressed above. To this end, let us define the sets: $\mathcal{B}_i^{(n)}(k) = \{\underline{b} \in \{0, 1\}^n, b_k = i \text{ with } i = 0 \text{ or } i = 1\}$. The coded bits b_k being equiprobable we have

$$\begin{aligned}
\text{LLR}(b_k) &\triangleq \frac{p(\underline{y}_2, \underline{y}_{12} | b_k = 1)}{p(\underline{y}_2, \underline{y}_{12} | b_k = 0)} \\
&= \frac{\sum_{\underline{b} \in \mathcal{B}_1^{(n)}(k)} p(\underline{y}_2, \underline{y}_{12} | \underline{b})}{\sum_{\underline{b} \in \mathcal{B}_0^{(n)}(k)} p(\underline{y}_2, \underline{y}_{12} | \underline{b})} \\
&= \frac{\sum_{\underline{x} \in \mathcal{X}_1^k} p(\underline{y}_2, \underline{y}_{12} | \underline{x})}{\sum_{\underline{x} \in \mathcal{X}_0^k} p(\underline{y}_2, \underline{y}_{12} | \underline{x})}.
\end{aligned} \tag{22}$$

This LLR can be either used to make a decision on the bits sent by the source or reused as a soft information by a stage following the combiner. As we restrict our attention to the raw BER for our performance study, we will not consider the way of using this LLR by the channel decoder, for example.

5. EXPERIMENTAL ANALYSIS

5.1. System performance criteria

In order to compare the different cooperation schemes, suited *system* performance criteria have to be selected. By way of an example, if we fix the information rate/spectral

efficiency at the transmitter and obtain the pair of BERs $(\text{BER}_1, \text{BER}_2)$ for the coding scheme \mathcal{C} and $(\text{BER}'_1, \text{BER}'_2)$ for the coding scheme \mathcal{C}' , with $\text{BER}_1 < \text{BER}'_1$ and $\text{BER}_2 > \text{BER}'_2$, one cannot easily conclude, which shows the importance of using a system performance metric. From now on, we will denote by K the number of cooperation exchanges with K equals K_a or $2K_s$ depending on the cooperation scheme. In order to compare the different cooperation strategies, we propose four performance criteria (23)–(26). All the performance criteria can be used to evaluate the performance of the system for both relaying protocols, but the performance Criterion (1) is less meaningful for the DF protocol since the channel input is not Gaussian in our context. The four performance criteria are as follows:

$$R_{\text{AF}}^{(K)} = B_{\text{DL}} \min \{ \log(1 + \rho_I^{(K)}), \log(1 + \rho_{II}^{(K)}) \}, \tag{23}$$

where $\rho_I^{(K)}, \rho_{II}^{(K)}$ are the SNRs at the end of the cooperation procedure. One can notice that $R_{\text{AF}}^{(K)}$ represents the maximum information rate possible for a reliable transmission achieved by the AF-based cooperation schemes and a Gaussian channel input;

$$P_{e,\text{max}}^{(K)} = \max \{ P_{e,I}^{(K)}, P_{e,II}^{(K)} \}, \tag{24}$$

where $P_{e,I}^{(K)}$ and $P_{e,II}^{(K)}$ are the raw BERs at the combiner (i.e., the MRC for the AF protocol, the MLD for the DF protocol) outputs at the end of the cooperation procedure. This criterion is useful in a broadcasting system for which one wants every user to have a minimum transmission quality, which requires $P_{e,\text{max}}^{(K)} \leq P_{e,0}$ where $P_{e,0}$ is the minimum quality target;

$$P_{e,\text{sum}}^{(K)} = P_{e,I}^{(K)} + P_{e,II}^{(K)}. \tag{25}$$

This criterion gives an image of the average transmission quality of the broadcasting system and serves as an upper bound for the performance criterion given just below. Although this criterion does not translate the variance of the qualities of the different communications, it has the merit to be simple which is the reason why many works assumed this criterion (see, e.g., [19, 20]);

$$P_{e,\text{max}}^{(K)} \leq P_{e,\text{sys}}^{(K)} \leq P_{e,\text{sum}}^{(K)}. \tag{26}$$

The quantity $P_{e,\text{sys}}^{(K)}$ is the system probability of errors $P_{e,\text{sys}}^{(K)}$, which is defined as the probability that Receiver 1 or (inclusive or) Receiver 2 makes a decision error. This probability is generally not easy to explicit but can be bounded by using the Criteria (24) and (25). As a comment, note that the Shannon capacity of the channel under consideration is precisely defined with respect to the system error probability, which means that communicating at a rate less than the capacity insures the existence of a code such that $P_{e,\text{sys}}^{(K)} \rightarrow 0$. It is, therefore, the criterion to be considered to assess the suboptimality of a given channel coding scheme in the CBC with respect to its Shannon limit.

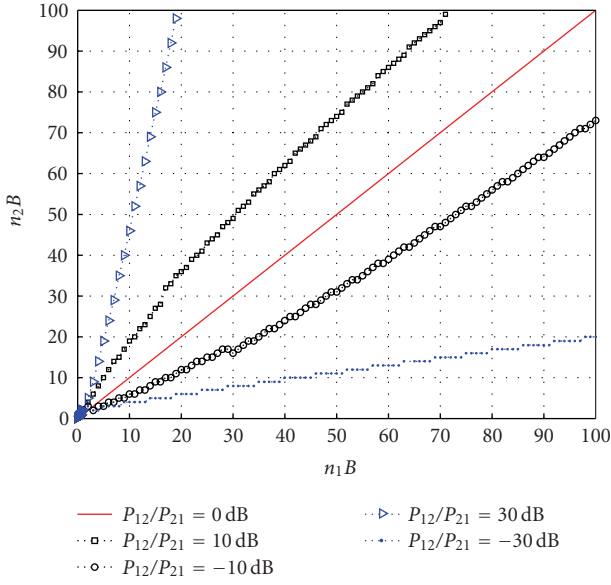


FIGURE 4: Decision regions: who starts cooperating first?

5.2. Simulation results for the AF protocol

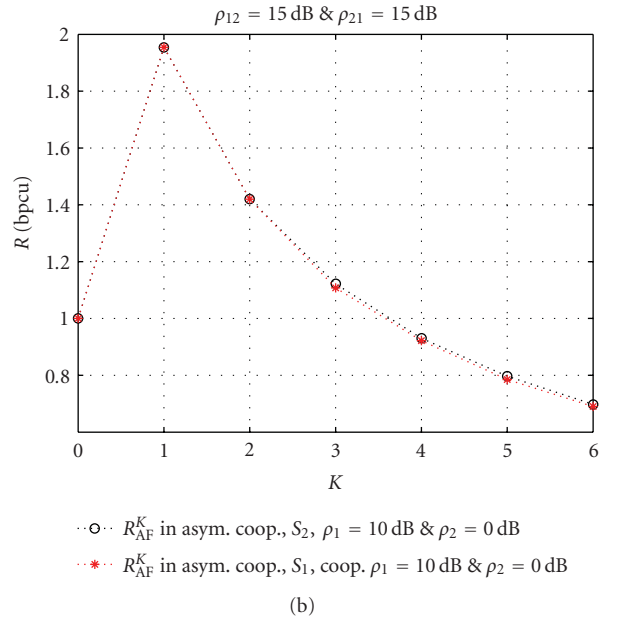
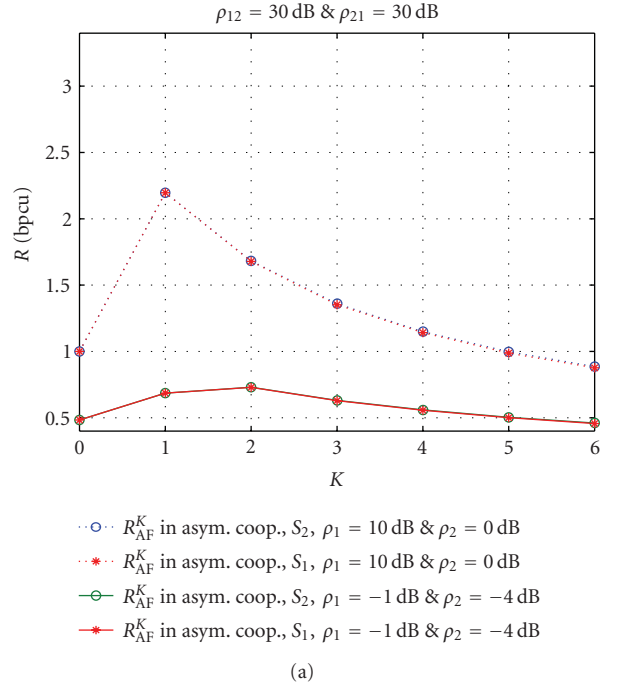
On all figures, R_{AF}^K and $R_{AF}^K - DL$ denote the achievable rates with the strategy δ_1 and the strategy δ_2 , respectively.

Asymmetric cooperation: which user should start cooperating first?

For both strategies δ_1 and δ_2 , Figure 4 represents the plane (n_1, n_2) with linear scales: $n_1 \in [10^{-2}, 10^2]$, $n_2 \in [10^{-2}, 10^2]$. For different ratios, $P_{12}/P_{21} \in \{-30 \text{ dB}, -10 \text{ dB}, 0 \text{ dB}, 10 \text{ dB}, 30 \text{ dB}\}$. The different curves delimit the decision regions that allow us to determine the best cooperation order in terms of information rate for the five values of the ratio P_{12}/P_{21} . When the pair (n_1, n_2) is above the line, Receiver 1 has to start first and conversely. We see that both the DL and cooperation SNRs have to be considered to optimize the overall performance. In a cellular system, for instance, the cooperation powers can be quite close (a given fraction of the mobile transmit power), which would make the cooperation order less critical.

Comparison between the strategies δ_1 and δ_2

We first consider the case of a constant global bandwidth. We look at three different SNR scenarios: $(P/n_1B, P/n_2B, P_{12}/n_{12}B, P_{21}/n_{21}B) = (10 \text{ dB}, 0 \text{ dB}, 30 \text{ dB}, 30 \text{ dB})$, $(P/n_1B, P/n_2B, P_{12}/n_{12}B, P_{21}/n_{21}B) = (-1 \text{ dB}, -4 \text{ dB}, 30 \text{ dB}, 30 \text{ dB})$, and $(P/n_1B, P/n_2B, P_{12}/n_{12}B, P_{21}/n_{21}B) = (10 \text{ dB}, 0 \text{ dB}, 15 \text{ dB}, 15 \text{ dB})$. Figures 5(a) and 5(b) represent the performances of both strategies δ_1 and δ_2 , where the asymmetric cooperation is considered. Both strategies have approximately the same performance, but the strategy δ_2 can perform better than the strategy δ_1 for great values of K ($K > 2$, see Figure 5(b)). Since

FIGURE 5: Achievable rate versus number of cooperation exchanges for both strategies δ_1 and δ_2 when the total bandwidth is fixed at high cooperative regime (a) or medium cooperative regime (b).

the optimum is obtained in general at low values of K ($K \leq 2$), we can conclude that both strategies δ_1 and δ_2 have similar performances in asymmetric cooperation. We have also observed that this conclusion remains valid when the symmetric cooperation is considered. Now, we consider the case where the DL bandwidth is constant. In Figure 6, we can consider two different scenarios for the δ_2 for the asymmetric cooperation case: $(P/n_1B, P/n_2B, P_{12}/n_{12}B, P_{21}/n_{21}B) = (10 \text{ dB}, 0 \text{ dB}, 30 \text{ dB},$

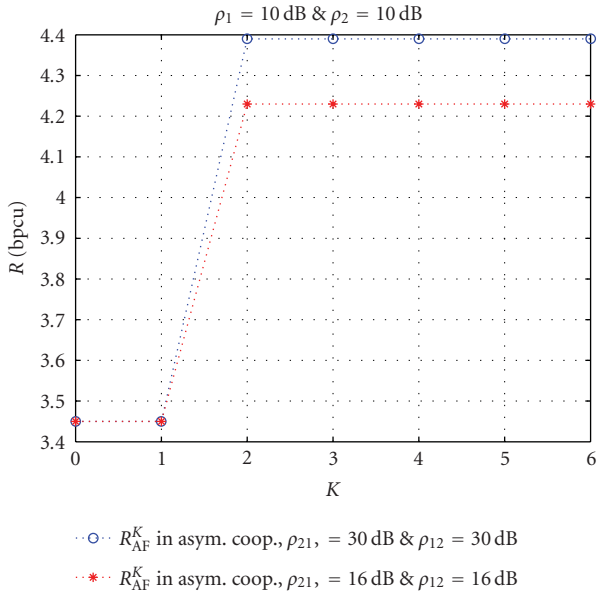


FIGURE 6: Achievable rate versus number of cooperation exchanges for the strategy \mathcal{S}_2 when the downlink bandwidth is fixed for medium and high cooperative regimes.

30 dB) and $(P/n_1B, P/n_2B, P_{12}/n_{12}B, P_{21}/n_{21}B) = (10 \text{ dB}, 10 \text{ dB}, 16 \text{ dB}, 16 \text{ dB})$. We observe that the SIMO bound is rapidly attained ($K = 2$). Also, we have observed that, for the strategy \mathcal{S}_2 , the symmetric and asymmetric cooperation types perform the same. This means that for the symmetric case also the SIMO bound is attained for $K_s = 1$. In the following paragraph, we will compare these results with the results obtained with the strategy \mathcal{S}_1 in the same setup (DL bandwidth constant).

Asymmetric cooperation versus symmetric cooperation for the strategy \mathcal{S}_1

First, we assume the *total* bandwidth to be limited. Figure 7(a) represents the information rate as a function of the number of cooperation exchanges for the asymmetric and symmetric cases for two different scenarios: $(P/n_1B, P/n_2B, P_{12}/n_{12}B, P_{21}/n_{21}B) = (10 \text{ dB}, 0 \text{ dB}, 30 \text{ dB}, 30 \text{ dB})$ and $(P/n_1B, P/n_2B, P_{12}/n_{12}B, P_{21}/n_{21}B) = (-1 \text{ dB}, -4 \text{ dB}, 30 \text{ dB}, 30 \text{ dB})$. It can be seen that the rate always decreases for $K \geq 2$. This is not surprising since a system with $K > 2$ is a special case of the system for which $K = 2$. However, note that the system with $K = 2$ is not a special of the system $K = 0$ or $K = 1$, which means that cooperating can compensate for the performance loss due to orthogonalizing the DL channel. We also see that the asymmetric system performs better than its symmetric counterpart. We observed from other simulations not presented here that most of the cooperation benefits are captured with one cooperation exchange. In contrast to the discrete CBC with a conference channel [3, 7, 8], we see that the performance can decrease with K . Now, we look at two scenarios where the *downlink* bandwidth is fixed

(Figure 7(b)): $(P/n_1B, P/n_2B, P_{12}/n_{12}B, P_{21}/n_{21}B) = (10 \text{ dB}, 10 \text{ dB}, 30 \text{ dB}, 30 \text{ dB})$ and $(P/n_1B, P/n_2B, P_{12}/n_{12}B, P_{21}/n_{21}B) = (10 \text{ dB}, 10 \text{ dB}, 16 \text{ dB}, 16 \text{ dB})$. We see that in the high-cooperation regime the SIMO bound is rapidly attained, that is, for $K = 2$. When less cooperation powers are available, the performance still decreases with K . This time is not due to the orthogonalization loss, but to the fact that the cooperation power per exchange decreases in $\sim 1/K$, whereas the gain brought by increasing the number of recombinations increases slowly. Note that now the symmetric system performs better than the asymmetric one because nothing is lost in terms of bandwidth by increasing K (while for the case where the total bandwidth was limited, the DL bandwidth was decreasing according to Propositions 1 and 2).

Comparing the results of the strategies \mathcal{S}_1 and \mathcal{S}_2 when the DL bandwidth is constant (Figures 7(b) and 6), we have observed that both strategies perform identically for the symmetric cooperation when there is enough power available for the cooperation (high-cooperative regime). If the cooperative power is reduced, the strategy \mathcal{S}_2 will perform better than the strategy \mathcal{S}_1 , starting from $K_s = 2$ (equivalent to $K = 2$). In fact, using the strategy \mathcal{S}_1 , during the second exchange round, the receiver acting as relay is wasting a part of the limited available power to send to the other receiver a signal that it has already received on the downlink channel. Thus, the expected power gain from the cooperation is limited with respect to the strategy \mathcal{S}_2 , where the receiver acting as relay uses all of the available power to send the signal needed to increase the equivalent SNR. However, since the optimal performance is obtained for $K_s = 1$, we can conclude that both strategies have the same performance for symmetric cooperation case.

For the strategy \mathcal{S}_2 , the symmetric and asymmetric cooperation schemes perform identically. This is also the case for the strategy \mathcal{S}_1 , but only when the high cooperative regime is assumed. For the strategy \mathcal{S}_2 , the achievable rates remain constant after $K_s = 1$, whatever the cooperation power level. For the strategy \mathcal{S}_1 , if the cooperation powers are limited, the symmetric cooperation case outperforms its asymmetric counterpart. Also, for the asymmetric cooperation with limited cooperation powers, the strategy \mathcal{S}_2 performs better than the strategy \mathcal{S}_1 even at the optimum number of cooperation rounds K^* .

Influence of the performance criterion and BER analysis.

In the simulations results presented so far, we have implicitly assumed the channel input and relay outputs to be Gaussian, which allowed us to provide an achievable rate for the channel under investigation. In the following part of the section, we will assume finite modulations (QAM modulations). It turns out that the observations made for the information theoretic transmission rate are generally confirmed by the raw BER analysis and under the QAM assumption. This fact is illustrated in Figures 8(a) and 8(b). In both figures, the asymmetric cooperation case and the strategy \mathcal{S}_1 are assumed. Also, the first figure corresponds to assumption \mathcal{H}_1 , while the second one is based on assumption \mathcal{H}_1 . The

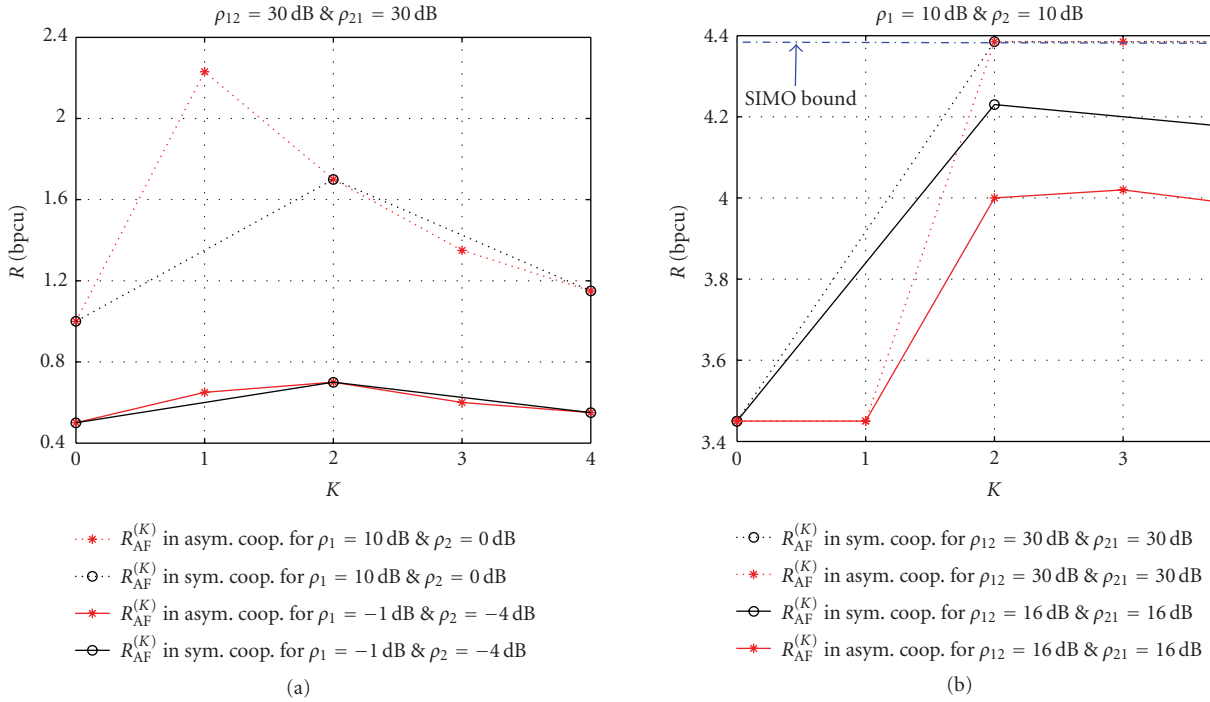


FIGURE 7: Achievable rate versus number of cooperation exchanges for the strategy \mathcal{S}_1 when the total bandwidth is fixed (a) or when the downlink bandwidth is fixed (b).

system BER is minimized for $K = 1$ or $K = 2$ whatever the assumption on spectral resources.

5.3. Simulation results for the DF protocol

In the case of the DF protocol, we always assume that only the downlink bandwidth is fixed. As a consequence, the total bandwidth increases with K (see assumption \mathcal{H}_2 in Section 2).

Asymmetric cooperation versus symmetric cooperation

We always assume QAM modulations at the source and relays, and we do take into account the possible presence of channel coders at the source and relay. We consider two different scenarios: a high cooperative regime with $(P/n_1B, P/n_2B, P_{12}/n_{12}B, P_{21}/n_{21}B) = (7$ dB, 3 dB, 30 dB, 30 dB) and a low cooperative regime with $(P/n_1B, P/n_2B, P_{12}/n_{12}B, P_{21}/n_{21}B) = (7$ dB, 3 dB, 2 dB, 2 dB). We use a 4-QAM modulation for any transmission at the source and at the relay. We only consider the uncoded case, but the performance analysis can be extended to coded case, at least for hard input decoders. We assume that Receiver 1 starts sending a cooperation in the asymmetric cooperation case. Figures 9(b) and 9(a) show the system performance as a function of the number of cooperation exchanges for performance criteria 2 and 4, respectively. In the low-cooperation regime, symmetric and asymmetric cooperation types perform similarly. In the high-cooperation regime, the asymmetric cooperation performs slightly better for $P_{e,\text{sys}}$

and conversely for $P_{e,\text{max}}$. Other simulations, which will not be provided here for keeping the number of figures reasonable, show that the performance of asymmetric cooperation is generally better than that of its symmetric counterpart, whatever the performance criterion under consideration. In contrast to the AF case, it is more difficult to determine analytically which receiver has to start cooperation in the first place. This means that, in practice, this information has to be sent to the receivers. Otherwise, the symmetric cooperation has to be used.

Asymmetric cooperation: influence of both number of cooperation exchanges and combining scheme

Figures 10(a) and 10(b) show the performance for Receivers 1 and 2, the system performance in the low- and high-cooperation regimes, respectively, as defined previously. Although the system bandwidth increases with K , we see that the system performance is maximum (low-cooperation regime) or reaches a floor (high-cooperation regime) for two cooperation exchanges. There are at least three reasons for this. First of all, the gain provided by an additional cooperation round decreases with K . Second, the cooperation power per exchange also decreases with K . In addition, in order to derive the MLD, we have made the simplifying assumption that the decoding errors and receive noise at each receiver are independent, which is perfectly true for $K \leq 2$. In Figure 10(b), we also observe the impact of the derived MLD on system performance. We compare the DF protocol associated to MLD with

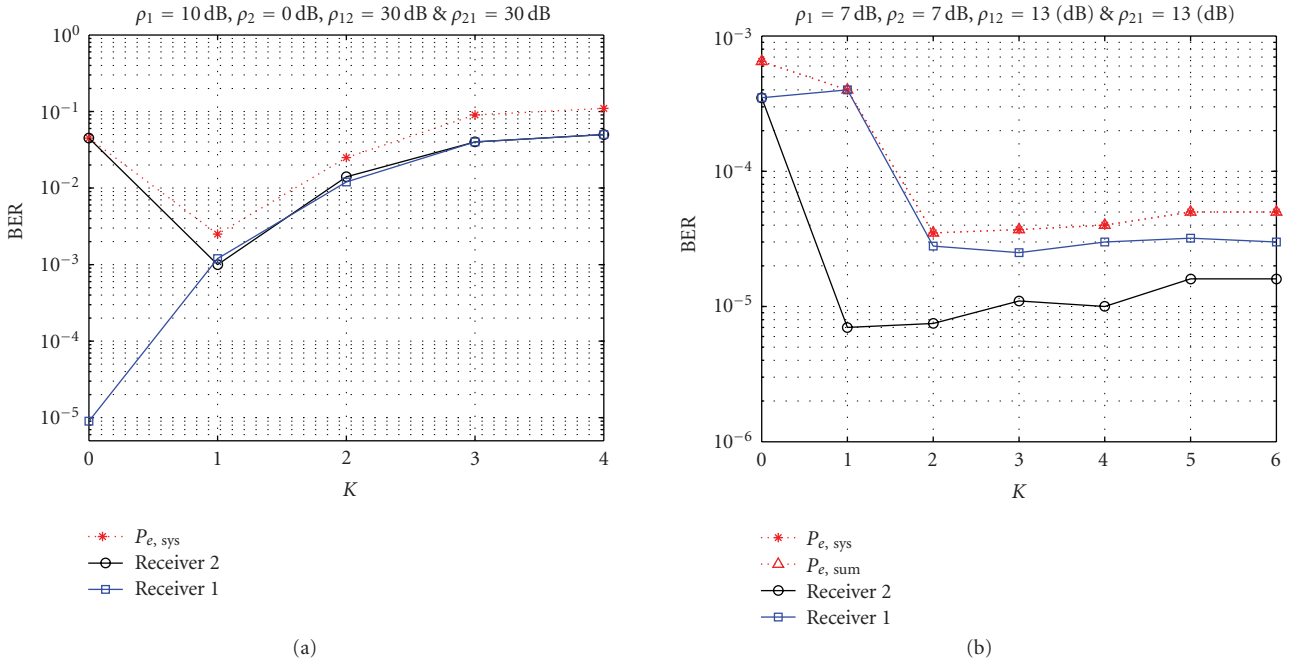


FIGURE 8: System BER versus number of cooperation exchanges for strategy \mathcal{S}_1 and the asymmetric cooperation case when the total bandwidth is fixed (a) or when the downlink bandwidth is fixed (b).

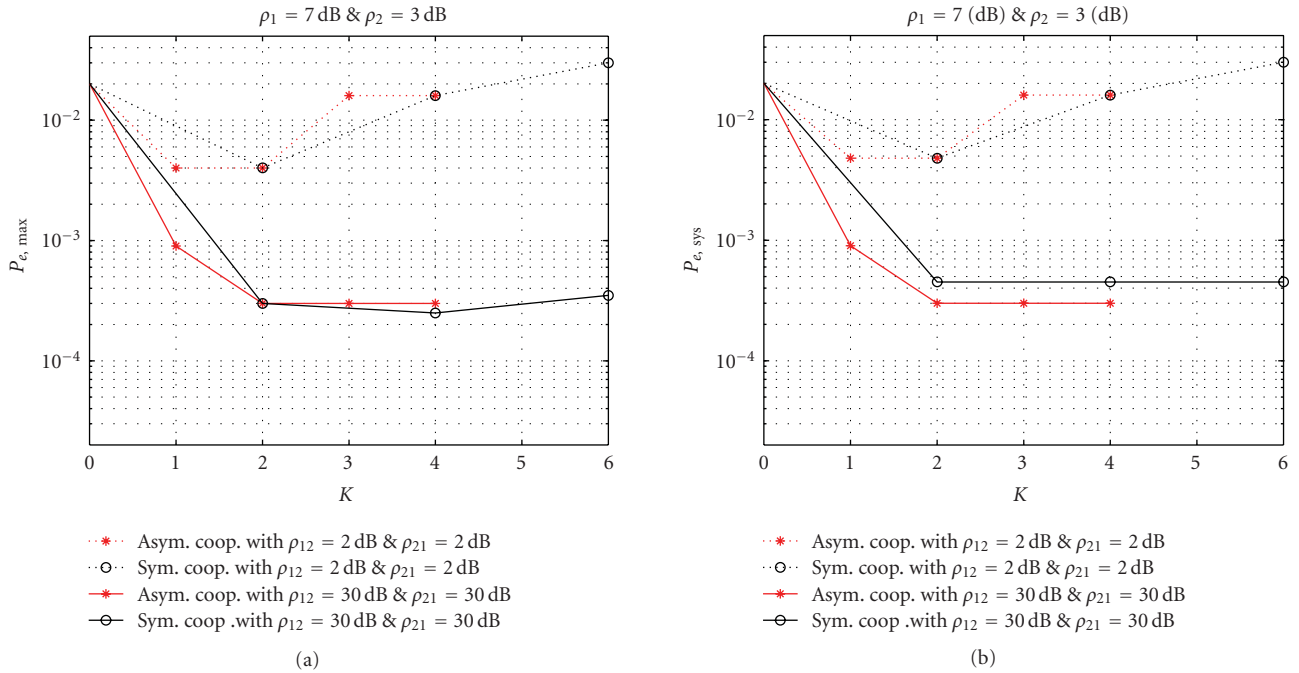


FIGURE 9: Performance versus number of cooperation exchanges in term of $P_{e, \text{sys}}$ (a) and $P_{e, \text{max}}$ (b).

the AF protocol associated to the MRC in terms of the system and individual receivers performance, and we observe that the use of the MRC limits the expected performance gain since this combiner does not take into account the eventual decoding made at the receivers unlike the MLD. The observations are similar to those in [15].

5.4. Comparison between the AF protocol (strategy \mathcal{S}_1) and the DF protocol

We consider the case where only the downlink bandwidth is fixed. We look at the following SNR scenario: $(P/n_1B, P/n_2B, P_{12}/n_{12}B, P_{21}/n_{21}B) = (7 \text{ dB}, 3 \text{ dB}, 30 \text{ dB}, 30 \text{ dB})$ and

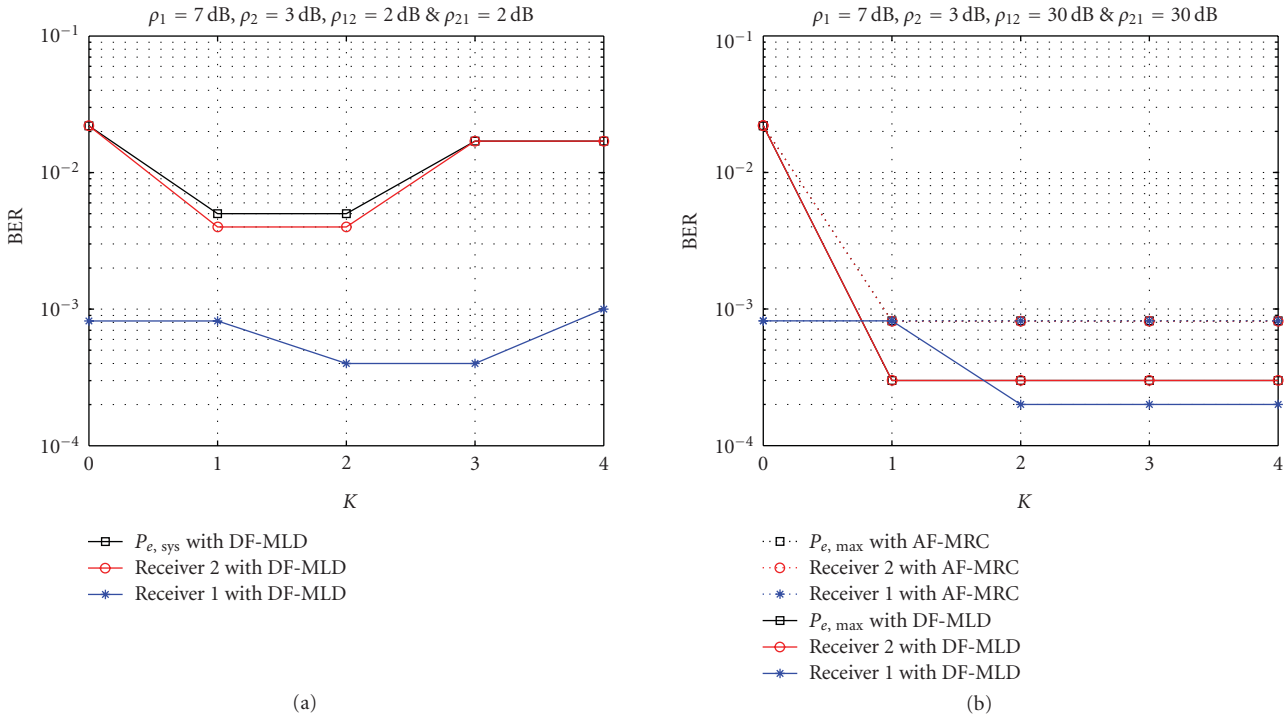


FIGURE 10: Performance for the asymmetric cooperation versus number of cooperation exchanges in low cooperative regime (a) and high cooperative regime (b).

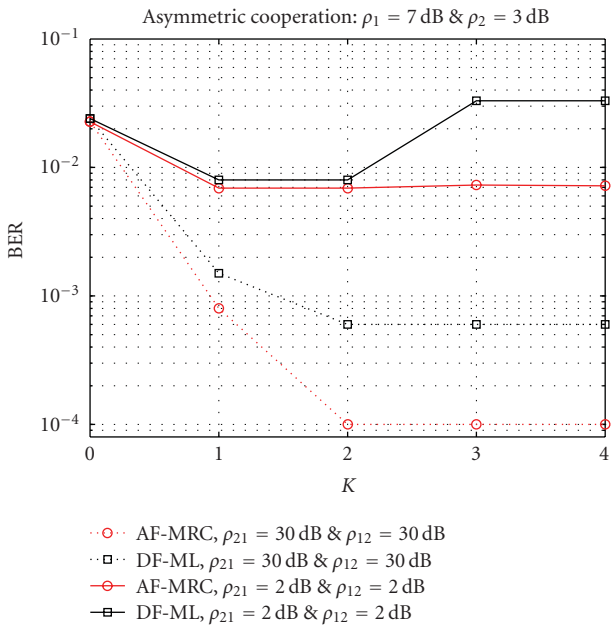


FIGURE 11: Maximum BER (maximum $\{\text{BER}_1, \text{BER}_2\}$) at the receivers for the AF protocol (δ_1) with MRC and DF protocol with MLD.

$(P/n_1B, P/n_2B, P_{12}/n_{12}B, P_{21}/n_{21}B) = (7 \text{ dB}, 3 \text{ dB}, 2 \text{ dB}, 2 \text{ dB})$. Figure 11 represents the BER performance obtained with the AF protocol (strategy δ_1) associated with the MRC and the DF protocol associated with the MLD. We observe the impact of the hard decision with the DF protocol which results in a

performance loss in comparison to the AF protocol. This is due to the fact that the receiver acting as the sender does not decode perfectly the message. If one receiver can succeed to decode the message with only the downlink signal, the DF protocol would perform better than the AF one (see [15] for the same analysis on the relay channel), and the optimal number of cooperative exchanges will obviously be equal to $K^* = 1$.

6. CONCLUSIONS

In this paper, we treated four main issues inherent to the bidirectional CBC with a single common message when power and spectral resources are taken into account, which cannot be considered through the discrete approach [3, 7, 8]. This study was made for a simplified scenario, where scalar relaying protocols are assumed and coding/decoding channel are not exploited (note, however, that one of the main practical advantages of this approach is that the extra decoding delay induced by cooperation is relatively small). Although we have made these simplifying assumptions, our approach still captures the main implementation issues posed by the bidirectional cooperation. The observations made in this paper could be refined and used to introduce cooperation in systems like the DVB or DVB-H systems. Here are a few key observations we have made.

Concerning the way of *combining* the signals at the receiver, we have seen that the MRC is the optimum combiner whatever the number of cooperation rounds when the AF protocol is used. For the DF protocol, we have not only seen that an ML detector is useful since it can compensate for

the decoding noise introduced by the other receiver, but also that it is necessary to combine signals with different constellations, which is likely to happen in practice if the downlink and cooperation channels have different bandwidths. Additionally, the choice between sending the downlink signal or the combiner output as a cooperation signal does not seem to be critical for the AF protocol, but the second solution complicates the derivation of the ML detector.

Number of cooperation rounds. By assuming the system total bandwidth and then the downlink bandwidth to be constant, we have seen that the system performance does not increase for more than two cooperation rounds ($K^* \in \{0, 1, 2\}$), in contrast to [3, 7] for discrete channels. We have shown for the AF protocol that the equivalent SNR is strictly constant for $K \geq 2$ for the strategy \mathcal{S}_2 and is almost constant or reaches its maximum for $K = 1, 2$ or marginally for 3 with the strategy \mathcal{S}_1 .

Asymmetric/symmetric cooperation: when the system bandwidth is fixed, the asymmetric cooperation has the advantage to contain the case $K = 1$ for which the best performance is generally achieved. Indeed, as the bandwidth decreases linearly with K but only logarithmically with the SNR, higher values of K generally lead to suboptimum performance. This is the main reason why the asymmetric cooperation is preferable to the symmetric cooperation. When the downlink bandwidth is fixed, the best performance can be achieved for $K = 2$ typically. In this case, the asymmetric cooperation suffers from a correlation effect which reduces the cooperation gain with respect to the symmetric case. Additionally, for $K \geq 2$ the user who starts sending the cooperation signal has to be selected. The influence of the available cooperation powers and noise levels at the receiver on the best order was assessed and shown to be not negligible. In fading channels, this order should, therefore, be chosen adaptively, which is a further drawback of the asymmetric cooperation if $K^* \geq 2$. On the other hand, if most of the performance gain could be captured by one cooperation round ($K^* = 1$), the asymmetric case is the best choice.

APPENDICES

A. CONSERVATION OF THE MI FOR THE MRC

Proof. We want to prove that $I(X; Y_{II}^{(i)}) = I(X; Y_{II}^{(i-1)}, Y_{12}^{(i)})$. Using the same notations as in Sections 3.1 and 3.2, we obtain that

$$I(X; Y_{II}^{(i)}) = \log \left[1 + \frac{|w_{12}^{(i)} a_{12}^{(i)} \alpha_I^{(i-1)} + w_2^{(i)} \alpha_{II}^{(i-1)}|^2 P}{\Phi} \right], \quad (\text{A.1})$$

where

$$\Phi = |w_{12}^{(i)}|^2 ((a_{12}^{(i)})^2 N_I^{(i-1)} + N_{12}^{(i)}) + |w_2^{(i)}|^2 N_{II}^{(i-1)} + w_2^{(i)} w_{12}^{(i)} a_{12}^{(i)} (e^{(i-1)} + e^{(i-1),*}). \quad (\text{A.2})$$

Now, by replacing the MRC weights given by equation (6), we further have

$$I(X; Y_{II}^{(i)}) = \log \left[1 + \frac{S_2^{(i)}}{T_2^{(i)}} \right], \quad (\text{A.3})$$

where $S_2^{(i)}$ and $T_2^{(i)}$ are given by the following expressions:

$$\begin{aligned} S_2^{(i)} &= ((\alpha_{II}^{(i-1)})^2 ((a_{12}^{(i)})^2 N_I^{(i-1)} + N_{12}^{(i)}) + \alpha_I^{(i-1)} a_{12}^{(i)} N_{II}^{(i-1)} \\ &\quad - (a_{12}^{(i-1)})^2 \alpha_I^{(i-1)} \alpha_{II}^{(i-1)} (e^{(i-1)} + e^{(i-1),*})) P, \\ T_2^{(i)} &= N_{II}^{(i-1)} ((a_{12}^{(i)})^2 N_I^{(i-1)} + N_{12}^{(i)}) - a_{12}^{(i)} |e^{(i-1)}|^2. \end{aligned} \quad (\text{A.4})$$

On the other hand, we have

$$\begin{aligned} I(X; Y_{II}^{(i-1)}, Y_{12}^{(i)}) &= I(X; (\alpha_{II}^{(i-1)} X + Z_{II}^{(i-1)}) (a_{12}^{(i)} \alpha_I^{(i-1)} X + a_{12}^{(i)} Z_I^{(i-1)} + Z_{12}^{(i)})) \\ &= \log \left[1 + \frac{\tilde{S}_2^{(i)}}{\tilde{T}_2^{(i)}} \right] \end{aligned} \quad (\text{A.5})$$

We see that $\tilde{S}_2^{(i)} = S_2^{(i)}$ and $\tilde{T}_2^{(i)} = T_2^{(i)}$, which concludes the proof. \square

B. PROOF OF THEOREM 1

Here, we show the result obtained for the equivalent SNR in Theorem 1. At Receiver 2, for the iteration $i \in \{1, \dots, K\}$, the signal at the MRC output is denoted by $Y_{II}^{(i)} = \alpha_{II}^{(i)} X + Z_{II}^{(i)}$. The equivalent SNR $\rho_{II}^{(i)}$ in $Y_{II}^{(i)}$ expresses as $\rho_{II}^{(i)} \triangleq E|\alpha_{II}^{(i)} X|^2 / E|Z_{II}^{(i)}|^2 = \mathcal{J}^{(i)} / \mathcal{T}^{(i)}$ with

$$\begin{aligned} \mathcal{J}^{(i)} &= E|\alpha_{II}^{(i)} X|^2 \\ &= [w_{12}^{(i)} a_{12}^{(i)} \alpha_I^{(i-1)} + w_2^{(i)} \alpha_{II}^{(i-1)}]^2 P \\ &= [(a_{12}^{(i)} \alpha_I^{(i-1)} N_{II}^{(i-1)} - a_{12}^{(i)} \alpha_{II}^{(i-1)} e^{(i-1)}) a_{12}^{(i)} \alpha_I^{(i-1)} \\ &\quad + ((a_{12}^{(i)})^2 N_I^{(i-1)} + N_{12}^{(i)}) \alpha_{II}^{(i-1)} - (a_{12}^{(i)})^2 \alpha_I^{(i-1)} e^{(i-1)}] \alpha_{II}^{(i-1)}]^2 P \\ &= [(\alpha_I^{(i-1)} \alpha_{II}^{(i-1)})^2 P N_{12} + (\alpha_I^{(i-1)})^2 N_{II}^{(i-1)} P_{12} \\ &\quad + (\alpha_{II}^{(i-1)})^2 N_I^{(i-1)} P_{12} - \alpha_I^{(i-1)} \alpha_{II}^{(i-1)} P_{12} (e^{(i-1)} + e^{(i-1),*}) \\ &\quad + (\alpha_{II}^{(i-1)})^2 N_I^{(i-1)} N_{12}] \cdot \underbrace{[\Phi]}_e P, \end{aligned}$$

$$\begin{aligned} \mathcal{T}^{(i)} &= E|Z_{II}^{(i)}|^2 \\ &= (w_{12}^{(i)} a_{12}^{(i)})^2 N_I^{(i-1)} + (w_{12}^{(i)})^2 N_{12}^{(i)} + (w_2^{(i)})^2 N_{II}^{(i-1)} \\ &\quad + 2w_{12}^{(i)} w_2^{(i)} (e^{(i-1)} + e^{(i-1),*}) \\ &= (a_{12}^{(i)} \alpha_I^{(i-1)} N_{II}^{(i-1)} - a_{12}^{(i)} \alpha_{II}^{(i-1)} e^{(i-1)})^2 ((a_{12}^{(i)})^2 N_I^{(i-1)} + N_{12}^{(i)}) \\ &\quad + ((a_{12}^{(i)})^2 N_I^{(i-1)} + N_{12}^{(i)}) \alpha_{II}^{(i-1)} - (a_{12}^{(i)})^2 \alpha_I^{(i-1)} e^{(i-1)}]^2 N_{II}^{(i-1)} \\ &\quad + 2((a_{12}^{(i)})^2 N_I^{(i-1)} + N_{12}^{(i)}) \alpha_{II}^{(i-1)} - (a_{12}^{(i)})^2 \alpha_I^{(i-1)} e^{(i-1)} \\ &\quad \cdot (a_{12}^{(i)} \alpha_I^{(i-1)} N_{II}^{(i-1)} - a_{12}^{(i)} \alpha_{II}^{(i-1)} e^{(i-1)}) (e^{(i-1)} + e^{(i-1),*}) \\ &= [P_{12} e^{(i-1)} e^{(i-1),*} - (\alpha_I^{(i-1)})^2 P N_{II}^{(i-1)} N_{12} \\ &\quad - N_I^{(i-1)} N_{II}^{(i-1)} (P_{12} + N_{12})] \cdot \underbrace{[\Phi]}_e, \end{aligned} \quad (\text{B.1})$$

where

$$\begin{aligned} \Phi &= (a_{12}^{(i)} \alpha_I^{(i-1)})^2 N_{II}^{(i-1)} + (a_{12}^{(i)} \alpha_{II}^{(i-1)})^2 N_I^{(i-1)} + (\alpha_{II}^{(i-1)})^2 N_{12} \\ &\quad - (a_{12}^{(i)})^2 \alpha_I^{(i-1)} \alpha_{II}^{(i-1)} (e^{(i-1)} + e^{(i-1),*}). \end{aligned} \quad (\text{B.2})$$

After simplification with respect to the common factor \mathcal{C} , we obtain $\rho_{II}^{(i)} = \mathfrak{J}_I^{(i)} / \mathcal{T}_I^{(i)}$ with

$$\begin{aligned} \mathfrak{J}_I^{(i)} &= [(\alpha_I^{(i-1)} \alpha_{II}^{(i-1)})^2 P N_{12} + (\alpha_I^{(i-1)})^2 N_{II}^{(i-1)} P_{12} \\ &\quad + (\alpha_{II}^{(i-1)})^2 N_I^{(i-1)} P_{12} - \alpha_I^{(i-1)} \alpha_{II}^{(i-1)} P_{12} (e^{(i-1)} + e^{(i-1),*}) \\ &\quad + (\alpha_{II}^{(i-1)})^2 N_I^{(i-1)} N_{12}] P, \\ \mathcal{T}_I^{(i)} &= [P_{12} e^{(i-1)} e^{(i-1),*} - (\alpha_I^{(i-1)})^2 P N_{II}^{(i-1)} N_{12} \\ &\quad - N_I^{(i-1)} N_{II}^{(i-1)} (P_{12} + N_{12})]. \end{aligned} \quad (\text{B.3})$$

Then, by multiplying both the numerator and the denominator of $\rho_{II}^{(i)}$ by the factor $\rho_I^{(i-1)} \rho_{II}^{(i-1)} / P N_{12}$, we obtain $\rho_{II}^{(i)} = \mathfrak{J}_{II}^{(i)} / \mathcal{T}_{II}^{(i)}$ with

$$\begin{aligned} \mathfrak{J}_{II}^{(i)} &= \alpha_I^{(i-1)} \alpha_{II}^{(i-1)} (e^{(i-1)} + e^{(i-1),*}) \rho_I^{(i-1)} \rho_{II}^{(i-1)} \rho_{12} \\ &\quad - (\alpha_I^{(i-1)} \alpha_{II}^{(i-1)})^2 P [\rho_{II}^{(i-1)} (1 + \rho_I^{(i-1)}) + \rho_{12} (\rho_I^{(i-1)} + \rho_{II}^{(i-1)})], \\ \mathcal{T}_{II}^{(i)} &= \frac{e^{(i-1)} e^{(i-1),*}}{P} \rho_I^{(i-1)} \rho_{II}^{(i-1)} \rho_{12} - (\alpha_I^{(i-1)} \alpha_{II}^{(i-1)})^2 P (1 + \rho_{12}) \\ &\quad - (\alpha_I^{(i-1)})^2 N_{II}^{(i-1)} \rho_I^{(i-1)} \rho_{II}^{(i-1)}. \end{aligned} \quad (\text{B.4})$$

C. PROOF OF PROPOSITION 1 : SYMMETRIC COOPERATION

Here, we only show how to obtain the MRC weights, and this for Receiver 2. The signal coefficients and equivalent noises can be derived from the equivalent signal expressions.

At Receiver 2, at the iteration i , the signals available at the combiner inputs are

$$\begin{aligned} Y_{12}^{(i)} &= a_{12}^{(i)} Y_I^{(i-1)} + Z_{12}^{(i)} = a_{12}^{(i)} \alpha_I^{(i-1)} X + (a_{12}^{(i)} Z_I^{(i-1)} + Z_{12}^{(i)}) \\ Y_{II}^{(i-1)} &= \alpha_{II}^{(i-1)} X + Z_{II}^{(i-1)}. \end{aligned} \quad (\text{C.1})$$

Denote by $\mathbf{w}^{(i)} = (w_{12}^{(i)}, w_2^{(i)})^t$ the optimal weight vector. For the maximum ratio combiner, $\mathbf{w}^{(i)}$ is given by the following expression:

$$\mathbf{w}^{(i)} = \mathbf{R}_{zz}^{(i)-1} \cdot \mathbf{h}^*, \quad (\text{C.2})$$

where $\mathbf{R}_{zz}^{(i)}$ is the covariance matrix between the equivalent noises $(a_{12}^{(i)} Z_I^{(i-1)} + Z_{12}^{(i)})$ and $Z_{II}^{(i-1)}$ with

$$\begin{aligned} Z_I^{(i-1)} &= w_{21}^{(i-1)} a_{21}^{(i-1)} Z_{II}^{(i-1)} + w_{21}^{(i-1)} Z_{21}^{(i-1)} + w_1^{(i-1)} Z_I^{(i-2)}, \\ Z_{II}^{(i-1)} &= w_{12}^{(i-1)} a_{12}^{(i-1)} Z_I^{(i-2)} + w_{12}^{(i-1)} Z_{12}^{(i-1)} + w_2^{(i-1)} Z_{II}^{(i-2)}, \end{aligned} \quad (\text{C.3})$$

and \mathbf{h} is the useful signal coefficients vector given by $\mathbf{h} = (a_{12}^{(i)} \alpha_I^{(i-1)}, \alpha_{II}^{(i-1)})^t$ with $\alpha_I^{(i-1)}$ and $\alpha_{II}^{(i-1)}$ obtained from the following recursive formula:

$$\begin{aligned} \alpha_I^{(i)} &= w_{21}^{(i)} a_{21}^{(i)} \alpha_{II}^{(i-1)} + w_1^{(i)} \alpha_I^{(i-1)}, \\ \alpha_{II}^{(i)} &= w_{12}^{(i)} a_{12}^{(i)} \alpha_I^{(i-1)} + w_2^{(i)} \alpha_{II}^{(i-1)}. \end{aligned} \quad (\text{C.4})$$

Therefore, we find that

$$\begin{aligned} \mathbf{R}_{zz}^{(i)} &= \begin{bmatrix} (a_{12}^{(i)})^2 N_I^{(i-1)} + N_{12}^{(i)} & a_{12}^{(i)} e^{(i-1)} \\ a_{12}^{(i)} e^{(i-1),*} & N_{II}^{(i-1)} \end{bmatrix}, \\ \mathbf{R}_{zz}^{(i)-1} &= \frac{1}{[(a_{12}^{(i)})^2 N_I^{(i-1)} + N_{12}^{(i)}] N_{II}^{(i-1)} - |e^{(i-1)}|^2} \\ &\quad \times \begin{bmatrix} N_{II}^{(i-1)} & -a_{12}^{(i)} e^{(i-1)} \\ -a_{12}^{(i)} e^{(i-1),*} & (a_{12}^{(i)})^2 N_I^{(i-1)} + N_{12}^{(i)} \end{bmatrix}, \end{aligned} \quad (\text{C.5})$$

where $e^{(i-1)} \triangleq E[Z_I^{(i-1)} Z_{II}^{(i-1),*}]$.

Finally, we obtain

$$\begin{aligned} w_{12}^{(i)} &= a_{12}^{(i)} \alpha_I^{(i-1)} N_{II}^{(i-1)} - a_{12}^{(i)} \alpha_{II}^{(i-1)} e^{(i-1)}, \\ w_2^{(i)} &= [(a_{12}^{(i)})^2 N_I^{(i-1)} + N_{12}^{(i)}] \alpha_{II}^{(i-1)} - (a_{12}^{(i)})^2 \alpha_I^{(i-1)} e^{(i-1),*} \end{aligned} \quad (\text{C.6})$$

and we start with $e^{(0)} = 0$, $N_I^{(0)} = N_1$, $N_{II}^{(0)} = N_2$, $\rho_I^{(0)} = P/N_1$, $\rho_{II}^{(0)} = P/N_2$, $\alpha_I^{(0)} = \alpha_{II}^{(0)} = 1$.

D. PROOF OF PROPOSITION 2

Compared to the symmetric case, only the equivalent noise expressions and the useful signal coefficients are changed. They can be obtained from the signal expressions (2) and shown to be

$$\begin{aligned} \alpha_I^{(i)} &= \begin{cases} w_{21}^{(i)} a_{21}^{(i)} \alpha_{II}^{(i-1)} + w_1^{(i)} \alpha_I^{(i-1)} & \text{for } i \text{ even,} \\ \alpha_I^{(i-1)} & \text{for } i \text{ odd,} \end{cases} \\ \alpha_{II}^{(i)} &= \begin{cases} \alpha_{II}^{(i-1)} & \text{for } i \text{ even,} \\ w_{12}^{(i)} a_{12}^{(i)} \alpha_I^{(i-1)} + w_2^{(i)} \alpha_{II}^{(i-1)} & \text{for } i \text{ odd,} \end{cases} \\ Z_I^{(i)} &= \begin{cases} w_{21}^{(i)} a_{21}^{(i)} Z_{II}^{(i-1)} + w_{21}^{(i)} Z_{21}^{(i)} + w_1^{(i)} Z_I^{(i-1)} & i \text{ even,} \\ Z_I^{(i-1)} & i \text{ odd,} \end{cases} \\ Z_{II}^{(i)} &= \begin{cases} Z_{II}^{(i-1)} & i \text{ even,} \\ w_{12}^{(i)} a_{12}^{(i)} Z_I^{(i-1)} + w_{12}^{(i)} Z_{12}^{(i)} + w_2^{(i)} Z_{II}^{(i-1)} & i \text{ odd.} \end{cases} \end{aligned} \quad (\text{D.1})$$

Doing the same calculation as for the previous proposition leads to the MRC weights which have the same expressions as in the symmetric case.

ACKNOWLEDGMENT

Some results concerning the AF protocol have been presented at the 8th IEEE Signal Processing Advances in Wireless Communications workshop (SPAWC), June 2007, Helsinki, Finland.

REFERENCES

- [1] T. M. Cover, "Broadcast channels," *IEEE Transactions on Information Theory*, vol. 18, no. 1, pp. 2–14, 1972.
- [2] T. M. Cover and A. El Gamal, "Capacity theorems for the relay channel," *IEEE Transactions on Information Theory*, vol. 25, no. 5, pp. 572–584, 1979.
- [3] S. C. Draper, B. J. Frey, and F. R. Kschischang, "Interactive decoding of a broadcast message," in *Proceedings of the Allerton Conference on Communication, Control and Computing*, pp. 1–11, Monticello, Ill, USA, October 2003.
- [4] K. Azarian, H. El Gamal, and P. Schniter, "On the achievable diversity-multiplexing tradeoffs in half-duplex cooperative channels," *IEEE Transactions on Information Theory*, vol. 51, no. 12, pp. 4152–4172, 2005.
- [5] C. T. K. Ng, I. Maric, A. J. Goldsmith, S. Shamai, and R. D. Yates, "Iterative and one-shot conferencing in relay channel," in *Proceedings of the IEEE Information Theory Workshop (ITW '06)*, pp. 193–197, Punta del Este, Uruguay, March 2006.
- [6] S. Lasaulce and A. G. Klein, "Gaussian broadcast channels with cooperating receivers: the single common message case," in *Proceedings of IEEE International Conference on Acoustics, Speech and Signal Processing (ICASSP '06)*, vol. 4, pp. 45–48, Toulouse, France, May 2006.
- [7] R. Khalili, S. Lasaulce, and P. Duhamel, "Broadcasting a message over erasure channels with cooperating receivers," in *Proceedings of the 44th Allerton Conference on Communication, Control and Computing*, pp. 1–7, Monticello, Ill, USA, October 2006.
- [8] R. Dabora and S. D. Servetto, "Broadcast channels with cooperating decoders," *IEEE Transactions on Information Theory*, vol. 52, no. 12, pp. 5438–5454, 2006.
- [9] Y. Liang and V. V. Veeravalli, "Cooperative relay broadcast channels," in *Proceedings of IEEE International Conference on Wireless Networks, Communications and Mobile Computing (WirelessCom '05)*, vol. 2, pp. 1449–1454, Maui, Hawaii, USA, June 2005.
- [10] Y. Liang and V. V. Veeravalli, "Cooperative relay broadcast channels," *IEEE Transactions on Information Theory*, vol. 53, no. 3, pp. 900–928, 2007.
- [11] F. Willems, "The discrete memoryless multiple access channel with partially cooperating encoders," *IEEE Transactions on Information Theory*, vol. 29, no. 3, pp. 441–445, 1983.
- [12] J. Körner and K. Marton, "Comparison of two noisy channels," 1975, *Transactions of the Hungarian Colloquium on Information Theory*, Keszthely, pp. 106–108.
- [13] J. Körner and K. Marton, "General broadcast channels with degraded message sets," *IEEE Transactions on Information Theory*, vol. 23, no. 1, pp. 60–64, 1977.
- [14] A. El Gamal, "The capacity of a class of broadcast channels," *IEEE Transactions on Information Theory*, vol. 25, no. 2, pp. 166–169, 1979.
- [15] B. Djeumou, S. Lasaulce, and A. G. Klein, "Combining decoded-and-forwarded signals in Gaussian cooperative channels," in *Proceedings of the 6th International Symposium on Signal Processing and Information Technology (ISSPIT '06)*, pp. 622–627, Vancouver, Canada, August 2006.
- [16] J. N. Laneman and G. W. Wornell, "Energy-efficient antenna sharing and relaying for wireless networks," in *Proceedings of IEEE Wireless Communications and Networking Conference (WCNC '00)*, vol. 1, pp. 7–12, Chicago, Ill, USA, September 2000.
- [17] D. Chen and J. N. Laneman, "Modulation and demodulation for cooperative diversity in wireless systems," *IEEE Transactions on Wireless Communications*, vol. 5, no. 7, pp. 1785–1794, 2006.
- [18] J. V. K. Murthy and A. Chockalingm, "Log-likelihood ratio based optimum mappings selection for symbol mapping diversity with M-QAM," in *Proceedings of the 11th National Conference on Communications (NCC '05)*, pp. 439–443, IIT, Kharagpur, India, January 2005.
- [19] P. Frenger, P. Orten, and T. Ottosson, "Performance of CDMA systems with low-rate coding and interference cancellation," in *Proceedings of the FRAMES Workshop*, pp. 212–217, Delft, The Netherlands, January 1999.
- [20] N. Benvenuto, P. Bisaglia, and M. Finco, "Soft-interference cancellation for downlink and uplink MC-CDMA systems," in *Proceedings of the 15th IEEE International Symposium on Personal, Indoor and Mobile Radio Communications (PIMRC '04)*, vol. 1, pp. 170–174, Barcelona, Spain, September 2004.