



**HAL**  
open science

## Discussion about the analytical calculation of the magnetic field created by permanent magnets

Romain Ravaud, Guy Lemarquand, Valérie Lemarquand, Claude L. Depollier

► **To cite this version:**

Romain Ravaud, Guy Lemarquand, Valérie Lemarquand, Claude L. Depollier. Discussion about the analytical calculation of the magnetic field created by permanent magnets. Progress In Electromagnetics Research B, 2009, 11, pp.281-297. 10.2528/PIERB08112102 . hal-00354578

**HAL Id: hal-00354578**

**<https://hal.science/hal-00354578>**

Submitted on 20 Jan 2009

**HAL** is a multi-disciplinary open access archive for the deposit and dissemination of scientific research documents, whether they are published or not. The documents may come from teaching and research institutions in France or abroad, or from public or private research centers.

L'archive ouverte pluridisciplinaire **HAL**, est destinée au dépôt et à la diffusion de documents scientifiques de niveau recherche, publiés ou non, émanant des établissements d'enseignement et de recherche français ou étrangers, des laboratoires publics ou privés.

## **DISCUSSION ABOUT THE ANALYTICAL CALCULATION OF THE MAGNETIC FIELD CREATED BY PERMANENT MAGNETS**

**R. Ravaud, G. Lemarquand, V. Lemarquand  
and C. Depollier**

Laboratoire d'Acoustique de l'Universite du Maine, UMR CNRS 6613  
Avenue Olivier Messiaen, 72085 Le Mans, France

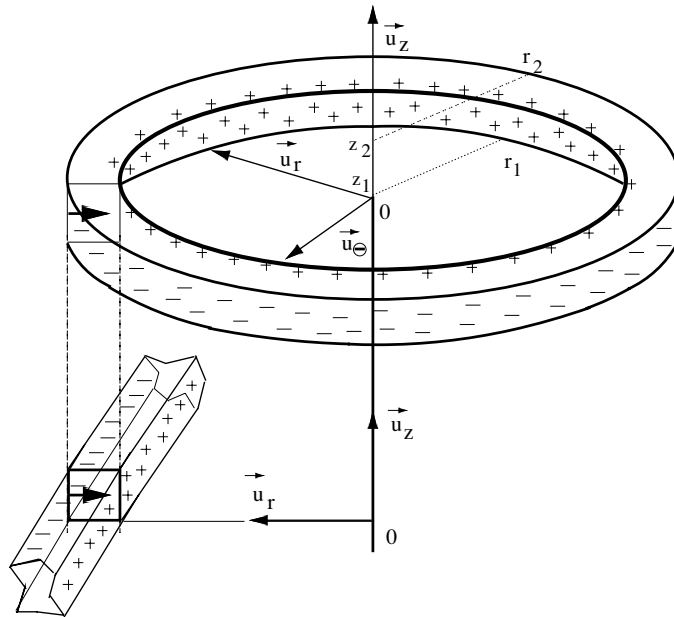
**Abstract**—This paper presents an improvement of the calculation of the magnetic field components created by ring permanent magnets. The three-dimensional approach taken is based on the Coulombian Model. Moreover, the magnetic field components are calculated without using the vector potential or the scalar potential. It is noted that all the expressions given in this paper take into account the magnetic pole volume density for ring permanent magnets radially magnetized. We show that this volume density must be taken into account for calculating precisely the magnetic field components in the near-field or the far-field. Then, this paper presents the component switch theorem that can be used between infinite parallelepiped magnets whose cross-section is a square. This theorem implies that the magnetic field components created by an infinite parallelepiped magnet can be deduced from the ones created by the same parallelepiped magnet with a perpendicular magnetization. Then, we discuss the validity of this theorem for axisymmetric problems (ring permanent magnets). Indeed, axisymmetric problems dealing with ring permanent magnets are often treated with a 2D approach. The results presented in this paper clearly show that the two-dimensional studies dealing with the optimization of ring permanent magnet dimensions cannot be treated with the same precisions as 3D studies.

### **1. INTRODUCTION**

This paper continues the papers written by Babic and Akyel [1] and Ravaud et al. [2]. Ring permanent magnets axially or radially magnetized are commonly used for creating magnetic fields in magnetic bearings [3, 4], in flux confining devices [5–9], in sensors [10–12],

in electrical machines [13–16] and in loudspeakers [17–19]. The calculation of the magnetic field created by such structures can be done by using numerical methods or analytical methods. The numerical methods are often based on a finite element method but the evaluation of the magnetic field components with such methods has a very high computational cost. Analytical methods are either based on the Coulombian model [20–23], or the Amperian model [24–33], in a 2D or 3D approach. Authors have often used 2D-analytical methods for optimizing ring permanent magnet dimensions because their expressions are fully analytical. However, these expressions are not valid in two cases: for small ring permanent magnets and when the magnetic field is calculated far from the magnets. Consequently, 3D-analytical methods are required.

As emphasized at the beginning of the introduction, such methods have already been presented, but this paper improves once more the way of calculating the magnetic field created by a ring permanent magnet radially magnetized. Indeed, the magnetic pole volume density is taken into account and we show that this magnetic charge contribution is necessary to calculate the magnetic field components in the near-field and the far-field. Then, we discuss the validity of the component switch theorem for ring permanent magnets and we show that this theorem cannot be used in three-dimensions whereas it can be used in two dimensions between two infinite parallelepiped magnets. The main reason lies in the fact that the magnetization is uniform for a ring permanent magnet axially magnetized whereas it is not for a ring permanent magnet radially magnetized. Such results are important for modeling the magnetic field created by cylindrical structures. It is noted that the 2D approximation consists in representing a ring permanent magnet by an infinite parallelepiped as shown in Fig. 1. With this approximation, the two magnetic components  $H_r(r, z)$  and  $H_z(r, z)$  created by an infinite parallelepiped are assumed to be the same as the ones created by a ring permanent magnet radially magnetized (see Fig. 2). In fact, this approximation is false for two reasons. The first reason has been studied in a previous paper [2]: the magnitude of the magnetic field created by a ring permanent magnet is under-estimated with the 2D approximation. In addition, there is another physical reason which can be demonstrated mathematically. With the 2D approximation, the magnetic field components  $H_r(r, z)$  and  $H_z(r, z)$  verify the component switch theorem. This theorem implies that the magnetic field components created by an infinite parallelepiped magnet can be deduced from the ones created by the same parallelepiped magnet with a perpendicular magnetization. However, the theorem cannot be used for modelling the magnetic field



**Figure 1.** Approximation of a ring permanent magnet with an infinite parallelepiped (the 2D approximation).

components created by ring permanent magnets radially magnetized.

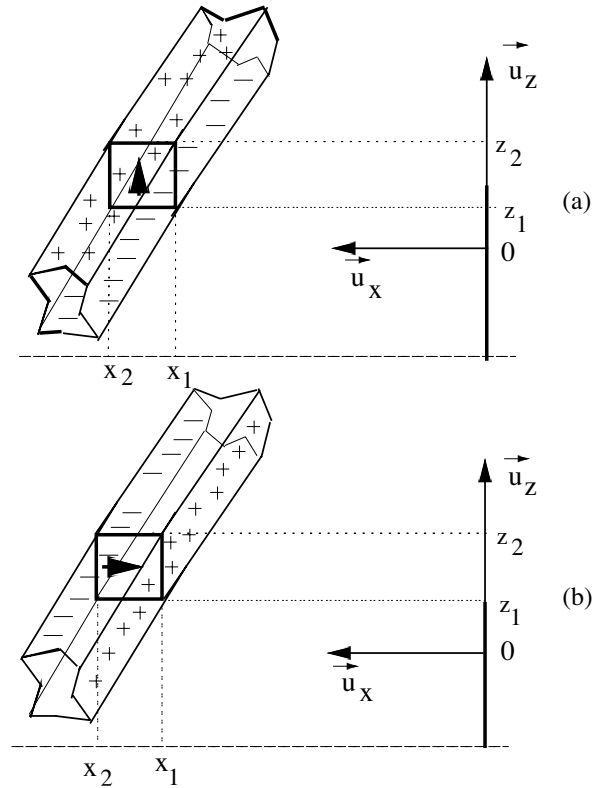
The first section presents the component switch theorem for the case of two infinite parallelepiped magnets. Then, the second section presents the expressions of the magnetic field components created by ring permanent magnets radially magnetized. Then, this section discusses the validity of the component switch theorem for ring permanent magnets axially and radially magnetized.

## 2. COMPONENT SWITCH THEOREM IN TWO DIMENSIONS

This section presents the component switch theorem that can be used for calculating the magnetic components created by infinite magnetized parallelepipeds.

### 2.1. The 2D Approximation

Let us consider the two geometries shown in Fig. 2. The upper geometry (Fig. 2(a)) corresponds to an infinite parallelepiped whose



**Figure 2.** Representation of two infinite parallelepiped magnets whose magnetization undergoes a rotation of 90 degrees between the upper and lower configurations.

polarization is colinear with the  $z$  direction. The lower geometry (Fig. 2(b)) corresponds to an infinite parallelepiped whose polarization is colinear with the  $x$  direction. As the two configurations studied are infinite along one direction ( $y$  direction), the magnetic field they create does not depend on  $y$ . Moreover, only two magnetic field components  $H_x(x, z)$  and  $H_z(x, z)$  exist. These components can be determined analytically by using the coulombian model. By denoting  $H_x^{(1)}(x, z)$  and  $H_z^{(1)}(x, z)$ , the magnetic components created by the configuration shown in Fig. 2(a) and  $H_x^{(2)}(x, z)$  and  $H_z^{(2)}(x, z)$ , the magnetic components created by the configuration shown in Fig. 2(b),

we have:

$$H_x^{(1)}(x, z) = \tilde{J} \left( \int \int_{S_{1+}} \frac{\mathbf{PM}_{i,i,2}}{|\mathbf{PM}_{i,i,2}|^3} dS_{1+} - \int \int_{S_{1-}} \frac{\mathbf{PM}_{i,i,1}}{|\mathbf{PM}_{i,i,1}|^3} dS_{1-} \right) \cdot \vec{u}_x \quad (1)$$

$$H_z^{(1)}(x, z) = \tilde{J} \left( \int \int_{S_{1+}} \frac{\mathbf{PM}_{i,i,2}}{|\mathbf{PM}_{i,i,2}|^3} dS_{1+} - \int \int_{S_{1-}} \frac{\mathbf{PM}_{i,i,1}}{|\mathbf{PM}_{i,i,1}|^3} dS_{1-} \right) \cdot \vec{u}_z \quad (2)$$

$$H_x^{(2)}(x, z) = \tilde{J} \left( \int \int_{S_{2+}} \frac{\mathbf{PM}_{1,i,i}}{|\mathbf{PM}_{1,i,i}|^3} dS_{2+} - \int \int_{S_{2-}} \frac{\mathbf{PM}_{2,i,i}}{|\mathbf{PM}_{2,i,i}|^3} dS_{2-} \right) \cdot \vec{u}_x \quad (3)$$

$$H_z^{(2)}(x, z) = \tilde{J} \left( \int \int_{S_{2+}} \frac{\mathbf{PM}_{1,i,i}}{|\mathbf{PM}_{1,i,i}|^3} dS_{2+} - \int \int_{S_{2-}} \frac{\mathbf{PM}_{2,i,i}}{|\mathbf{PM}_{2,i,i}|^3} dS_{2-} \right) \cdot \vec{u}_z \quad (4)$$

where  $\tilde{J} = \frac{J}{4\pi\mu_0}$ ,  $\mathbf{PM}_{\alpha,\beta,\gamma} = (x - x_\alpha)\vec{u}_x + (y - y_\beta)\vec{u}_y + (z - z_\gamma)\vec{u}_z$  and  $dS_{1+} = dS_{1-} = dx_i dy_i$  and  $dS_{2+} = dS_{2-} = dy_i dz_i$ .

The analytical integrations of (1), (2), (3) and (4) give the following expressions:

$$H_x^{(1)}(x, z) = \log \left[ \frac{(x - x_2)^2 + (z - z_2)^2}{(x - x_1)^2 + (z - z_2)^2} \right] + \log \left[ \frac{(x - x_1)^2 + (z - z_1)^2}{(x - x_2)^2 + (z - z_1)^2} \right] \quad (5)$$

$$\begin{aligned} H_z^{(1)}(x, z) = & \arctan \left[ \frac{x - x_1}{z - z_2} \right] - \arctan \left[ \frac{x - x_2}{z - z_2} \right] - \arctan \left[ \frac{x - x_1}{-z + z_2} \right] \\ & + \arctan \left[ \frac{x - x_2}{-z + z_2} \right] - \arctan \left[ \frac{x - x_1}{z - z_1} \right] + \arctan \left[ \frac{x - x_2}{z - z_1} \right] \\ & - \arctan \left[ \frac{x - x_1}{-z + z_1} \right] + \arctan \left[ \frac{x - x_2}{-z + z_1} \right] \end{aligned} \quad (6)$$

$$\begin{aligned} H_x^{(2)}(x, z) = & \arctan \left[ \frac{x - x_1}{z - z_2} \right] - \arctan \left[ \frac{x - x_2}{z - z_2} \right] - \arctan \left[ \frac{x - x_1}{-z + z_2} \right] \\ & + \arctan \left[ \frac{x - x_2}{-z + z_2} \right] - \arctan \left[ \frac{x - x_1}{z - z_1} \right] + \arctan \left[ \frac{x - x_2}{z - z_1} \right] \\ & - \arctan \left[ \frac{x - x_1}{-z + z_1} \right] + \arctan \left[ \frac{x - x_2}{-z + z_1} \right] \end{aligned} \quad (7)$$

$$H_z^{(2)}(x, z) = -\log \left[ \frac{(x - x_2)^2 + (z - z_2)^2}{(x - x_1)^2 + (z - z_2)^2} \right] - \log \left[ \frac{(x - x_1)^2 + (z - z_1)^2}{(x - x_2)^2 + (z - z_1)^2} \right] \quad (8)$$

Thus, we deduct the following expressions that constitute the component switch theorem.

$$H_z^{(1)}(x, z) = H_x^{(2)}(x, z) \quad (9)$$

and

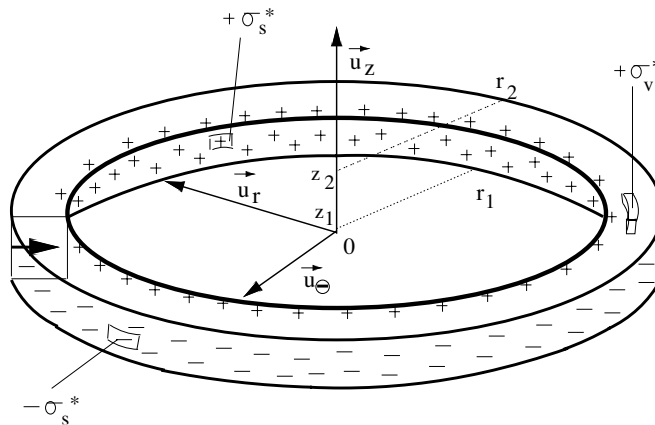
$$H_x^{(1)}(x, z) = -H_z^{(2)}(x, z) \quad (10)$$

The relations (9) and (10) are valid only if the cross-section of the bar-shaped magnet is a square. The calculations of such expressions are well-known in the literature. As many authors have modelled ring permanent magnets with parallelepiped magnets (2D approximation), it can be interesting to know if the component switch theorem can be used for ring permanent magnets radially and axially magnetized. For this purpose, we propose in the next section to use the coulombian model for calculating the magnetic field expressions created by a ring permanent magnet radially magnetized. It is noted that this calculation has been improved because the magnetic pole volume density is taken into account in this paper and the expressions have been simplified.

### 3. THREE-DIMENSIONAL EXPRESSIONS OF THE MAGNETIC FIELD COMPONENTS CREATED BY RING PERMANENT MAGNETS

#### 3.1. Notation and Geometry

The geometry considered and the related parameters appear in Fig. 3. The ring inner radius is  $r_1$  and the ring outer one is  $r_2$ . Its height is  $h = z_2 - z_1$ . In addition, the axis  $z$  is an axis of symmetry. Calculations are obtained by using the Coulombian model. Consequently, the ring permanent magnet is represented by two curved planes that correspond



**Figure 3.** Representation of the configuration studied; the inner radius is  $r_1$ , the outer radius is  $r_2$ , the height is  $z_2 - z_1$ ,  $\sigma_s^* = \vec{J} \cdot \vec{n} = 1 \text{ T}$ ,  $\sigma_v^* = -\nabla \cdot \vec{J} = \frac{J}{r}$ .

to the inner and outer faces of the ring and a charged ring with a magnetic pole volume density  $+\sigma_v^*$ . The inner face is charged with a surface magnetic pole density  $+\sigma_s^*$  and the outer one is charged with the opposite surface magnetic density  $-\sigma_s^*$ . By denoting  $r_0$ , a point that belongs to the ring permanent magnet, the magnetic field  $\vec{H}(r, z)$  created by the ring permanent magnet at any point of the space is expressed as follows:

$$\begin{aligned} \vec{H}(r, z) = & \int_{(V)} \frac{\sigma_v^*(\vec{r}_0)(\vec{r} - \vec{r}_0)}{4\pi\mu_0|\vec{r} - \vec{r}_0|^3} d^3\vec{r}_0 + \int_{(S_{in})} \frac{\sigma_s^*(\vec{r}_0)(\vec{r} - \vec{r}_0)}{4\pi\mu_0|\vec{r} - \vec{r}_0|^3} d^2\vec{r}_0 \\ & - \int_{(S_{out})} \frac{\sigma_s^*(\vec{r}_0)(\vec{r} - \vec{r}_0)}{4\pi\mu_0|\vec{r} - \vec{r}_0|^3} d^2\vec{r}_0 \end{aligned} \quad (11)$$

with

$$\frac{(\vec{r} - \vec{r}_0)}{|\vec{r} - \vec{r}_0|^3} = \frac{(r - r_i \cos(\theta))\vec{u}_r - r_i \sin(\theta)\vec{u}_\theta + (z - z_s)\vec{u}_z}{(r^2 + r_i^2 - 2rr_i \cos(\theta) + (z - z_s)^2)^{\frac{3}{2}}} \quad (12)$$

where  $i = 1$  for  $dr_0^2 = dS_{in} = r_1 d\theta_s dz_s$ ,  $i = 2$  for  $dr_0^2 = dS_{out} = r_2 d\theta_s dz_s$ ,  $i = s$  for  $dr_0^3 = r_s dr_s d\theta_s dz_s$ .

### 3.2. Components Along the Three Directions $\vec{u}_r, \vec{u}_\theta, \vec{u}_z$

The calculation of (11) leads to the magnetic field components along the three defined axes:  $H_r(r, z)$ ,  $H_\theta(r, z)$  and  $H_z(r, z)$ . It is noted that the azimuthal component  $H_\theta(r, z)$  equals 0 because of the cylindrical symmetry.

### 3.3. Radial Component $H_r(r, z)$

The radial component  $H_r(r, z)$  is given by

$$H_r(r, z) = \sum_{i=1}^2 \sum_{j=1}^2 (-1)^{(i+j)} (S_{i,j}^r + V_{i,j}^r + \mathbf{N}_{i,j}) \quad (13)$$

where

$$S_{i,j}^r = \alpha_{i,j}^{(0)} \left( \alpha_i^{(1)} \mathbf{F}^* \left[ \alpha_{i,j}^{(2)}, \alpha_i^{(3)} \right] + \alpha_i^{(4)} \Pi^* \left[ \alpha_{i,j}^{(2)}, \alpha_i^{(5)}, \alpha_i^{(6)} \right] \right) \quad (14)$$

$$\begin{aligned} V_{i,j}^r = & f(z - z_j, r^2 + r_i^2 + (z - z_j)^2, 2rr_i, -1) \\ & - f(z - z_j, r^2 + r_i^2 + (z - z_j)^2, 2rr_i, 1) \end{aligned} \quad (15)$$



with

$$f(a, b, c, u) = -\eta \left( \beta^{(1)} + \beta^{(2)} \right) \tag{16}$$

$$\begin{aligned} \eta = & \beta^{(3)} \left[ (b - c) \mathbf{E}^* \left[ \beta^{(4)}, \beta^{(5)} \right] + c \mathbf{F}^* \left[ \beta^{(4)}, \beta^{(5)} \right] \right] \\ & + \beta^{(6)} \left[ (b - a^2) \mathbf{F}^* \left[ \beta^{(7)}, \beta^{(8)} \right] + (b - a^2 + c) \Pi^* \left[ \beta^{(9)}, \beta^{(7)}, \beta^{(8)} \right] \right] \\ & - \beta^{(10)} - \beta^{(11)} \end{aligned} \tag{17}$$

**Table 1.** Parameters used for calculating the surface contribution of the radial component  $H_r(r, \theta, z)$ .

Parameters	
$\alpha_{i,j}^{(0)}$	$\frac{J\sqrt{2}}{4\pi\mu_0} \frac{r_i(-z+z_j)}{(2r_i r)^{3/2} \alpha_i^{(1)}}$
$\alpha_i^{(1)}$	$r_i^2 + r^2 + 2r_i r$
$\alpha_{i,j}^{(2)}$	$\sqrt{\frac{4r_i r}{\alpha_i^{(1)} + (z - z_j)^2}}$
$\alpha_i^{(3)}$	$\sqrt{\frac{\alpha_i^{(1)} + (z - z_j)^2}{4r_i r}}$
$\alpha_i^{(4)}$	$2r_i r^2 - r_i(r_i^2 + r^2)$
$\alpha_i^{(5)}$	$\frac{\alpha_i^{(1)} + (z - z_j)^2}{\alpha_i^{(1)}}$
$\alpha_i^{(6)}$	$\sqrt{\frac{2(\alpha_i^{(1)} + (z - z_j)^2)}{4r_i r}}$

$$N_{i,j} = \int_1^{-1} (1 - u^2) \arctan \left[ \frac{(r_i - ru)(z - z_j)}{\sqrt{r^2(u^2 - 1)}\xi} \right] du \tag{18}$$

$$\xi = \sqrt{r^2 + r_i^2 - 2rr_i u + (z - z_j)^2} \tag{19}$$

### 3.4. Axial Component $H_z(\mathbf{r}, z)$

$$H_z(r, z) = \sum_{i=1}^2 \sum_{j=1}^2 (-1)^{(i+j)} (S_{i,j}^z + V_{i,j}^z) \tag{20}$$

**Table 2.** Parameters used for calculating the volume contribution of the radial component  $H_r(r, \theta, z)$ .

Parameters	
$\beta^{(1)}$	$a\sqrt{1-u^2}\sqrt{\frac{b-cu}{b+c}} + \frac{a\sqrt{c(1+u)}}{c\sqrt{1-u^2}}$
$\beta^{(2)}$	$\frac{a(a^2+b)\arcsin[u]}{c\sqrt{b+c}}\sqrt{b-cu}$
$\beta^{(3)}$	$(1+u)\sqrt{\frac{c(u-1)}{b-c}}$
$\beta^{(4)}$	$\arcsin\left[\sqrt{\frac{b-cu}{b+c}}\right]$
$\beta^{(5)}$	$\frac{b+c}{b-c}$
$\beta^{(6)}$	$\sqrt{1-u^2}\sqrt{\frac{c(1+u)}{b+c}}$
$\beta^{(7)}$	$\arcsin\left[\sqrt{\frac{1+u}{2}}\right]$
$\beta^{(8)}$	$\frac{2c}{b+c}$
$\beta^{(9)}$	$\frac{2c}{b+c-a^2}$
$\beta^{(10)}$	$-2\sqrt{1-u^2}\log[a+\sqrt{b-cu}]$
$\beta^{(11)}$	$-\frac{\sqrt{x}}{c}\log\left[\frac{4c^2(c+a^2u-bu+\sqrt{x}\sqrt{1-u^2})}{x^{\frac{3}{2}}(a^2-b+cu)}\right]$
$x$	$-a^4+2a^2b-b^2+c$

with

$$S_{i,j}^z = \frac{2r_i}{(r-r_i)^2+(z-z_j)^2}\mathbf{K}^*\left[-\frac{4rr_i}{(r-r_i)^2+(z-z_j)^2}\right] \quad (21)$$

$$V_{i,j}^z = \int_0^{2\pi}\tanh^{-1}\left[\frac{\sqrt{r^2+r_i^2+(z-z_j)^2-2rr_i\cos(\theta_s)}}{r_i-r\cos(\theta_s)}\right] \quad (22)$$

The special functions used are defined as follows:

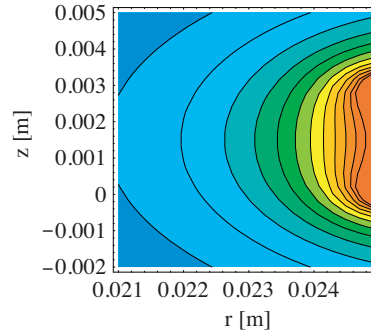
$$\mathbf{K}^*[m] = \mathbf{F}^*\left[\frac{\pi}{2}, \mathbf{m}\right] \quad (23)$$

$$\mathbf{F}^*[\phi, m] = \int_0^\phi \frac{1}{\sqrt{1-m\sin(\theta)^2}}d\theta \quad (24)$$

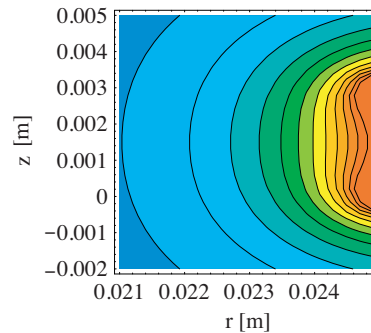
$$\Pi^*[n, \phi, m] = \int_0^\phi \frac{1}{(1-n\sin(\theta)^2)\sqrt{1-m\sin(\theta)^2}}d\theta \quad (25)$$

### 3.5. Comparison of the Magnetic Field Created by Ring Permanent Magnets Axially and Radially Magnetized

This section discusses the validity of the component switch theorem for ring permanent magnets axially and radially magnetized. For this purpose, we represent in Figs. 4 and 5 the magnetic field modulus  $H(r, z)$  created by either a ring radially magnetized or a ring axially magnetized.



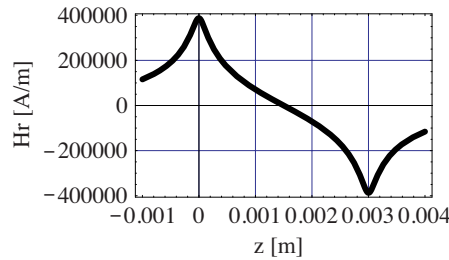
**Figure 4.** Modulus of the magnetic field created by a ring permanent magnet axially magnetized; we take  $r = 0.024$  m,  $r_1 = 0.025$  m,  $r_2 = 0.028$  m,  $z_1 = 0$  m,  $z_2 = 0.003$  m,  $J = 1$  T.



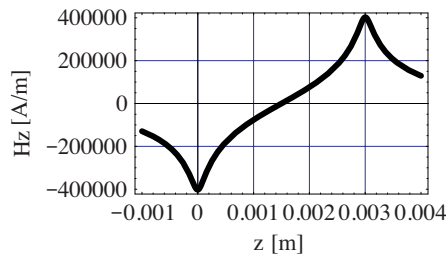
**Figure 5.** Modulus of the magnetic field created by a ring permanent magnet radially magnetized; we take  $r = 0.024$  m,  $r_1 = 0.025$  m,  $r_2 = 0.028$  m,  $z_1 = 0$  m,  $z_2 = 0.003$  m,  $J = 1$  T.

Figures 4 and 5 show that in the near-field, a ring permanent magnet radially magnetized is similar to a ring permanent magnet axially magnetized. The magnetic field becomes different when

it is calculated far from the magnets. Thereby, it implies that a ring permanent magnet radially magnetized do not create the same magnetic field as a ring permanent magnet axially magnetized. Consequently, the choice of using a ring permanent magnet radially or axially magnetized depends greatly on the intended application. Moreover, the cost of the magnet must be also taken into account since rings radially magnetized are more expensive than rings axially magnetized.



**Figure 6.** Radial component of a ring permanent magnet axially magnetized versus the axial displacement  $z$ ; we take  $r = 0.024$  m,  $r_1 = 0.025$  m,  $r_2 = 0.028$  m,  $z_1 = 0$  m,  $z_2 = 0.003$  m,  $J = 1$  T.

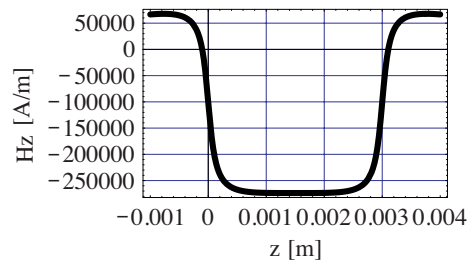


**Figure 7.** Axial component of a ring permanent magnet radially magnetized versus the axial displacement  $z$ ; we take  $r = 0.024$  m,  $r_1 = 0.025$  m,  $r_2 = 0.028$  m,  $z_1 = 0$  m,  $z_2 = 0.003$  m,  $J = 1$  T.

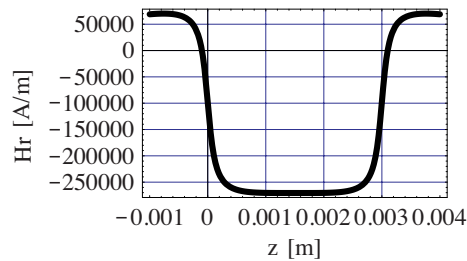
### 3.6. Magnetic Field Components Created by Rings Radially and Axially Magnetized

In the previous section, we have shown that a ring permanent magnet axially magnetized does not generate the same magnetic field than a ring permanent magnet radially magnetized even though their magnetic field modulus seems to be nearly the same. But strictly

speaking, these two configurations are different when we look at their magnetic components. We can see that by comparing their magnetic components with the help of the component switch theorem (even if this theorem cannot be used). For this purpose, we represent in Figs. 6 and 7, the radial component of the magnetic field created by a ring axially magnetized and the axial component of the magnetic field created by a ring permanent magnet radially magnetized. We see that these two components seem to verify the component switch theorem. However we will see that it is not strictly the case. We can also compare the axial component created by a ring permanent magnet axially magnetized and the radial component of the magnetic field created by a ring permanent magnet radially magnetized. These two components are represented in Figs. 8 and 9.

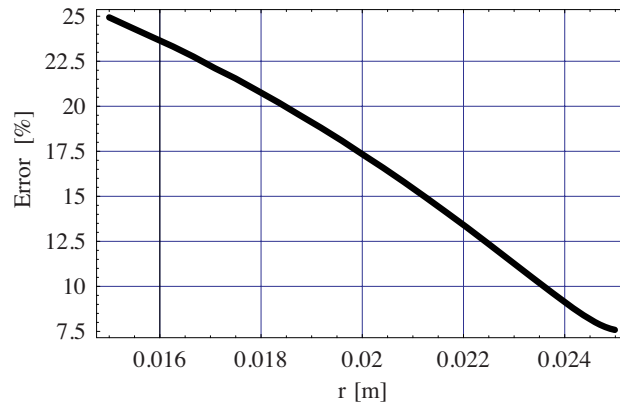


**Figure 8.** Axial component of a ring permanent magnet axially magnetized versus the axial displacement  $z$ ; we take  $r = 0.024$  m,  $r_1 = 0.025$  m,  $r_2 = 0.028$  m,  $z_1 = 0$  m,  $z_2 = 0.003$  m,  $J = 1$  T.

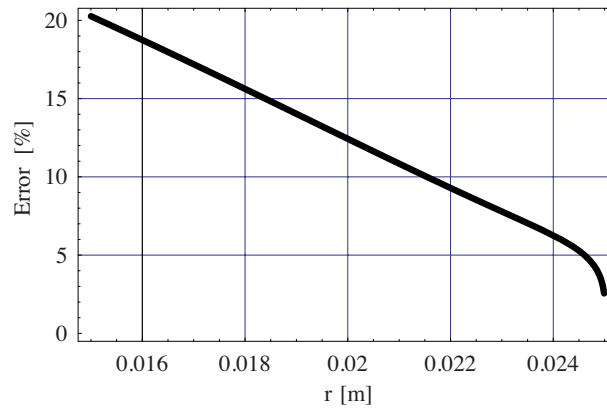


**Figure 9.** Radial component of a ring permanent magnet radially magnetized versus the axial displacement  $z$ ; we take  $r = 0.024$  m,  $r_1 = 0.025$  m,  $r_2 = 0.028$  m,  $z_1 = 0$  m,  $z_2 = 0.003$  m,  $J = 1$  T.

Figures 8 and 9 show clearly that these components are nearly the same. However, the component switch theorem cannot be used for studying the magnetic field created by ring permanent magnets radially and axially magnetized.



**Figure 10.** Representation of the radial component  $H_r(r, z)$  with or without the magnetic pole volume density  $\sigma_v^*$  versus  $z$  with the following parameters:  $r = 0.02$  m,  $r_1 = 0.025$  m,  $r_2 = 0.028$  m,  $z_1 = 0$  m,  $z_2 = 0.003$  m;  $J = 1$  T; thick line: with  $\sigma_v^*$ , dashed line: without  $\sigma_v^*$ .



**Figure 11.** Representation of the axial component  $H_z(r, z)$  with or without the magnetic pole volume density  $\sigma_v^*$  versus  $z$  with the following parameters:  $r = 0.02$  m,  $r_1 = 0.025$  m,  $r_2 = 0.028$  m,  $z_1 = 0$  m,  $z_2 = 0.003$  m;  $J = 1$  T; thick line: with  $\sigma_v^*$ , dashed line: without  $\sigma_v^*$ .

### 3.7. Necessity of Taking into Account the Magnetic Pole Volume Density

This section explains why the magnetic pole volume density is necessary for calculating the magnetic field components created by a ring permanent magnet. This question is in fact crucial because the calculation of the force or the stiffness between ring permanent magnets is more complicated when the magnetic pole volume density is taken into account. To do so, we plot in Fig. 10 the relative difference of the radial field created by a ring permanent magnet versus the radial distance  $r$  with and without taking into account the magnetic pole volume density. In addition, we plot in Fig. 11 the relative difference of the axial field created by a ring permanent magnet versus the radial distance with and without the magnetic pole volume density.

We see that the farther the magnetic field is calculated from the magnets, the more the relative difference increases if the magnetic pole volume density is omitted. For a radial distance which equals 0.01 m from the magnets, we make an error of at least 25 per cent for the radial field and 20 per cent for the axial field if the magnetic pole volume density is omitted. Consequently, we deduct that we must take into account such a contribution for calculating the magnetic components in the far-field. For a radial distance which equals 0.001 m from the magnets, we make an error of at least 7 per cent for the radial field and 5 per cent for the axial field if the magnetic pole volume density is omitted. We can say that it is yet an important error for the near-field. Consequently, we must take into account the magnetic pole volume density for calculating the magnetic components in the near-field as well.

## 4. CONCLUSION

This paper has presented an improvement of the magnetic field calculation created by ring permanent magnets radially magnetized. The expressions obtained are based on real functions and the magnetic pole volume density is taken into account. We discuss the importance of taking into account such a contribution. Then, this paper discusses the validity of the component switch theorem for ring permanent magnets. This theorem can be used for describing the magnetic field created by infinite parallelepiped magnets (2D approach) whereas it cannot be used for modeling the magnetic field created by ring permanent magnets (3D approach). This result implies that an optimization of the ring dimensions with a 2D approach seems to be difficult. Eventually, we have compared, with the exact 3D approach, the magnetic field created by a ring permanent magnet

radially magnetized with a ring permanent magnet axially magnetized. When their cross-section is a square, their magnetic field modulus is nearly the same in the near field whereas it is different in the far field. Such results imply that ring permanent magnets axially magnetized can be used in magnetic bearings in which the near-field is the most important parameter to optimize. The expressions given in this paper are available online [34].

## REFERENCES

1. Babic, S. and C. Akyel, "Improvement of the analytical calculation of the magnetic field produced by permanent magnet rings," *Progress In Electromagnetic Research*, Vol. 5, 71–82, 2008.
2. Ravaud, R., G. Lemarquand, V. Lemarquand, and C. Depollier, "Analytical calculation of the magnetic field created by permanent-magnet rings," *IEEE Trans. Magn.*, Vol. 44, No. 8, 1982–1989, 2008.
3. Yonnet, J. P., "Passive magnetic bearings with permanent magnets," *IEEE Trans. Magn.*, Vol. 14, No. 5, 803–805, 1978.
4. Charpentier, J. F. and G. Lemarquand, "Calculation of ironless permanent magnet coupling using semi-numerical magnetic pole theory method," *COMPEL*, Vol. 20, No. 1, 72–89, 2001.
5. Abele, M., J. Jensen, and H. Rusinek, "Generation of uniform high fields with magnetized wedges," *IEEE Trans. Magn.*, Vol. 33, No. 5, 3874–3876, 1997.
6. Halbach, K., "Design of permanent multiple magnets with oriented rec material," *Nucl. Inst. Meth.*, Vol. 169, 1–10, 1980.
7. Furlani, E., S. Reznik, and A. Kroll, "A three-dimensional field solution for radially polarized cylinders," *IEEE Trans. Magn.*, Vol. 31, No. 1, 844–851, 1995.
8. Marinescu, M. and N. Marinescu, "Compensation of anisotropy effects in flux-confining permanent-magnet structures," *IEEE Trans. Magn.*, Vol. 25, No. 5, 3899–3901, 1989.
9. Zhilichev, Y., "Calculation of magnetic field of tubular permanent magnet assemblies in cylindrical bipolar coordinates," *IEEE Trans. Magn.*, Vol. 43, No. 7, 3189–3195, 2007.
10. Blache, C. and G. Lemarquand, "Linear displacement sensor with high magnetic field gradient," *Journal of Magnetism and Magnetic Materials*, Vol. 104, 1106–1108, 1992.
11. Blache, C. and G. Lemarquand, "New structures for linear



- displacement sensor with high magnetic field gradient," *IEEE Trans. Magn.*, Vol. 28, No. 5, 2196–2198, 1992.
12. Lemarquand, G. and V. Lemarquand, "Annular magnet position sensor," *IEEE Trans. Magn.*, Vol. 26, No. 5, 2041–2043, 1990.
  13. Wang, J., G. W. Jewell, and D. Howe, "Design optimization and comparison of permanent magnet machines topologies," *IEE Proc. Elect. Power Appl.*, Vol. 148, 456–464, 2001.
  14. Zhu, Z., G. W. Jewell, and D. Howe, "Design considerations for permanent magnet polarised electromagnetically actuated brakes," *IEEE Trans. Magn.*, Vol. 31, No. 6, 3743–3745, 1995.
  15. Furlani, E., "Field analysis and optimization of ndfeb axial field permanent magnet motors," *IEEE Trans. Magn.*, Vol. 33, No. 5, 3883–3885, 1997.
  16. Selvaggi, J. P., S. Salon, O. M. Kwon, and M. V. K. Chari, "Calculating the external magnetic field from permanent magnets in permanent-magnet motors — An alternative method," *IEEE Trans. Magn.*, Vol. 40, No. 5, 3278–3285, 2004.
  17. Berkouk, M., V. Lemarquand, and G. Lemarquand, "Analytical calculation of ironless loudspeaker motors," *IEEE Trans. Magn.*, Vol. 37, No. 2, 1011–1014, 2001.
  18. Lemarquand, G., "Ironless loudspeakers," *IEEE Trans. Magn.*, Vol. 43, No. 8, 3371–3374, 2007.
  19. Remy, M., G. Lemarquand, B. Castagnede, and G. Guyader, "Ironless and leakage free voice-coil motor made of bonded magnets," *IEEE Trans. Magn.*, Vol. 44, No. 11, 2008.
  20. Durand, E., "Electrostatique," *Masson Editeur, Paris, France*, Vol. 1, 248–251, 1964.
  21. Rakotoarison, H. L., J. P. Yonnet, and B. Delinchant, "Using coulombian approach for modeling scalar potential and magnetic field of a permanent magnet with radial polarization," *IEEE Trans. Magn.*, Vol. 43, No. 4, 1261–1264, 2007.
  22. Akoun, G. and J. P. Yonnet, "3d analytical calculation of the forces exerted between two cuboidal magnets," *IEEE Trans. Magn.*, Vol. 20, No. 5, 1962–1964, 1984.
  23. Bancel, F. and G. Lemarquand, "Three-dimensional analytical optimization of permanent magnets alternated structure," *IEEE Trans. Magn.*, Vol. 34, No. 1, 242–247, 1998.
  24. Babic, S. and M. M. Gavrilovic, "New expression for calculating magnetic fields due to current-carrying solid conductors," *IEEE Trans. Magn.*, Vol. 33, No. 5, 4134–4136, 1997.
  25. Babic, S., C. Akyel, S. Salon, and S. Kincic, "New expressions for

- calculating the magnetic field created by radial current in massive disks," *IEEE Trans. Magn.*, Vol. 38, No. 2, 497–500, 2002.
26. Azzerboni, B. and G. Saraceno, "Three-dimensional calculation of the magnetic field created by current-carrying massive disks," *IEEE Trans. Magn.*, Vol. 34, No. 5, 2601–2604, 1998.
  27. Azzerboni, B. and E. Cardelli, "Magnetic field evaluation for disk conductors," *IEEE Trans. Magn.*, Vol. 29, No. 6, 2419–2421, 1993.
  28. Babic, S., C. Akyel, and M. M. Gavrilovic, "Calculation improvement of 3d linear magnetostatic field based on fictitious magnetic surface charge," *IEEE Trans. Magn.*, Vol. 36, No. 5, 3125–3127, 2000.
  29. Babic, S., C. Akyel, and S. Salon, "New procedures for calculating the mutual inductance of the system: elementary circular coil-massive circular solenoid," *IEEE Trans. Magn.*, Vol. 39, No. 3, 1131–1134, 2003.
  30. Babic, S., S. Salon, and C. Akyel, "The mutual inductance of two thin coaxial disk coils in air," *IEEE Trans. Magn.*, Vol. 40, No. 2, 822–825, 2004.
  31. Babic, S. and C. Akyel, "Magnetic force calculation between thin coaxial circular coils in air," *IEEE Trans. Magn.*, Vol. 44, No. 4, 445–452, 2008.
  32. Selvaggi, J., S. Salon, O. M. Kwon, and M. Chari, "Computation of the three-dimensional magnetic field from solid permanent-magnet bipolar cylinders by employing toroidal harmonics," *IEEE Trans. Magn.*, Vol. 43, No. 10, 3833–3839, 2007.
  33. Kwon, O. M., C. Surussavadee, M. Chari, S. Salon, and K. Vasubramaniam, "Analysis of the far field of permanent magnet motors and effects of geometric asymmetries and unbalance in magnet design," *IEEE Trans. Magn.*, Vol. 40, No. 3, 435–442, 2004.
  34. <http://www.univ-lemans.fr/~glemar>.