



**HAL**  
open science

## **Technical Note: Coupling of chemical processes with the Modular Earth Submodel System (MESSy) submodel TRACER**

P. Jöckel, A. Kerkweg, J. Buchholz, H. Tost, R. Sander, A. Pozzer

### **► To cite this version:**

P. Jöckel, A. Kerkweg, J. Buchholz, H. Tost, R. Sander, et al.. Technical Note: Coupling of chemical processes with the Modular Earth Submodel System (MESSy) submodel TRACER. *Atmospheric Chemistry and Physics Discussions*, 2007, 7 (6), pp.17069-17097. <hal-00303185>

**HAL Id: hal-00303185**

**<https://hal.science/hal-00303185v1>**

Submitted on 18 Jun 2008

HAL is a multi-disciplinary open access archive for the deposit and dissemination of scientific research documents, whether they are published or not. The documents may come from teaching and research institutions in France or abroad, or from public or private research centers.

L'archive ouverte pluridisciplinaire HAL, est destinée au dépôt et à la diffusion de documents scientifiques de niveau recherche, publiés ou non, émanant des établissements d'enseignement et de recherche français ou étrangers, des laboratoires publics ou privés.



HAL Authorization

**The generic MESSy  
submodel TRACER**

P. Jöckel et al.

# Technical Note: Coupling of chemical processes with the Modular Earth Submodel System (MESSy) submodel TRACER

P. Jöckel, A. Kerkweg, J. Buchholz, H. Tost, R. Sander, and A. Pozzer

Max-Planck Institute of Chemistry, Air Chemistry Department P.O. Box 3060, 55020 Mainz, Germany

Received: 25 October 2007 – Accepted: 13 November 2007 – Published: 23 November 2007

Correspondence to: P. Jöckel (joeckel@mpch-mainz.mpg.de)

Title Page

Abstract

Introduction

Conclusions

References

Tables

Figures

◀

▶

◀

▶

Back

Close

Full Screen / Esc

Printer-friendly Version

Interactive Discussion

EGU

## Abstract

The implementation of processes related to chemistry into Earth System Models and their coupling within such systems requires the consistent description of the chemical species involved. We provide a tool (written in Fortran95) to structure and manage information about constituents, herein after referred to as tracers, namely the Modular Earth Submodel System (MESSy) generic (i.e., infrastructure) submodel TRACER. With TRACER it is possible to define a multitude of tracer sets, depending on the spatio-temporal representation (i.e., the grid structure) of the model. The required information about a specific chemical species is split into the static meta-information about the characteristics of the species, and its (generally in time and space variable) abundance in the corresponding representation. TRACER moreover includes two submodels. One is TRACER\_FAMILY, an implementation of the tracer family concept. It distinguishes between two types: type-1 families are usually applied to handle strongly related tracers (e.g., fast equilibrating species) for a specific process (e.g., advection). In contrast to this, type-2 families are applied for tagging techniques, in which specific species are artificially decomposed and associated with additional information, in order to conserve the linear relationship between the family and its members. The second submodel is TRACER\_PDEF, which corrects and budgets numerical negative overshoots that arise in many process implementations due to the numerical limitations (limited precision, rounding errors). The submodel therefore guarantees the positive definiteness of the tracers and stabilises the integration scheme. As a by-product, it further provides a global tracer mass diagnostic. Last but not least, we present the submodel PTRAC for the definition of prognostic tracers via a Fortran95 namelist. TRACER with its submodels and PTRAC can readily be applied to a variety of models without further requirements. The code and a documentation is included in the electronic supplement.

ACPD

7, 17069–17097, 2007

## The generic MESSy submodel TRACER

P. Jöckel et al.

Title Page

Abstract

Introduction

Conclusions

References

Tables

Figures

◀

▶

◀

▶

Back

Close

Full Screen / Esc

Printer-friendly Version

Interactive Discussion

EGU

## 1 Introduction

The Earth climate system is characterised by the cycling of constituents through different domains, known as for instance the carbon-, nitrogen-, or sulphur cycle. This cycling provides a chemical coupling, which is controlled by a large variety of processes on a wide range of spatial and temporal scales. For the correct representation of this chemical coupling in Earth System Models (ESMs), a consistent treatment of all involved chemical species in the specific processes is required. For instance, the fate of a given species in the atmosphere needs to be tracked from its primary emissions, through the chemical transformations (reactions with other species in gas-, aqueous- and aerosol phase), transport through the atmosphere (e.g., advection, convection, diffusion), up to the removal from the atmosphere, i.e., transition into another domain, e.g., by deposition to the surface (land or ocean) or uptake by the biosphere.

For the implementation of this chemical coupling into ESMs, it is desirable to have a flexible framework for a straightforward and easy expansion by additional constituents (or constituent characteristics). This allows tailor-made model setups to address specific scientific questions. If the access to the tracer information is standardised and all processes of the model are using the same interface, a high degree of consistency is reached and the code is very transparent for the user. This flexibility and user-friendliness can be achieved without a significant loss of computational performance, since the model setup including the chemical coupling is determined and fixed during the initialisation phase of the model simulation and does not slow down the time integration.

Here, we provide a comprehensive framework for the implementation of chemical species into ESMs, the Modular Earth Submodel System (MESSy) generic submodel TRACER. The predicate “generic” implies that the submodel provides a part of the overall MESSy infrastructure and is itself structured as a MESSy submodel (Jöckel et al., 2005). The electronic supplement (<http://www.atmos-chem-phys-discuss.net/7/17069/2007/acpd-7-17069-2007-supplement.zip>) of this technical note contains the

### The generic MESSy submodel TRACER

P. Jöckel et al.

Title Page

Abstract

Introduction

Conclusions

References

Tables

Figures

◀

▶

◀

▶

Back

Close

Full Screen / Esc

Printer-friendly Version

Interactive Discussion

complete source code, a simple example application code, and a documentation of the interface routines. The code is written in standard Fortran95 (ISO/IEC 1539-1). We stress that this generic submodel TRACER can be used for other ESMs, general circulation models, chemistry transport models etc., without requiring the complete MESSy implementation, in a similar way as the generic submodel NCREGRID (Jöckel, 2006).

In the following we describe the basic ideas behind and the overall implementation of TRACER (Sect. 2). TRACER contains two optional submodels: TRACER\_FAMILY (Sect. 3) provides a namelist-controllable implementation of two different tracer family concepts. TRACER\_PDEF (Sect. 4) guarantees the positive definiteness of the chemical species by correcting and balancing numerically produced negative values and provides a global tracer mass diagnostic. Furthermore, the MESSy submodel PTRAC, which is also included in the electronic supplement (<http://www.atmos-chem-phys-discuss.net/7/17069/2007/acpd-7-17069-2007-supplement.zip>), allows the definition of tracers by a Fortran95 namelist (Sect. 5).

Throughout this technical note “tracer” is used in a conceptual manner as a synonym for all kinds of constituents, i.e., reactive chemical species, long-lived species, substances of different phases (e.g., water vapour and liquid water), etc.

## 2 TRACER

The information about a specific chemical species (a *tracer*) is divided into two parts: the *data*, which describe the abundance of the species at a given location (and time), and the *meta-information*, which describe the characteristics of the species that are independent of space and/or time (see Sect. 2.1 below). The data part requires an advanced memory management, since the structure depends on the underlying *representation* of the location information in the model. Examples of *representations* are 3-dimensional grids (grid-point representation, e.g., latitude, longitude, level), spectral

### The generic MESSy submodel TRACER

P. Jöckel et al.

Title Page

Abstract

Introduction

Conclusions

References

Tables

Figures

◀

▶

◀

▶

Back

Close

Full Screen / Esc

Printer-friendly Version

Interactive Discussion

coefficients (spectral representation), or the positions of trajectories (Lagrangian representation). Furthermore, the representation may vary with the domain, e.g., the grids applied in ocean models are usually different from the grids applied in atmospheric models. Therefore, the top-level entity provided by TRACER is the *tracer set* which contains all tracers of a specific representation. Different co-existing tracer sets can be defined within the model.

## 2.1 The meta-information structure

The meta-information of the tracers within a tracer set is stored in a concatenated list of nested Fortran95 structures. The stored information groups into the following top-level structures:

- `t_ident` contains the information for the identification of a given species.
- `t_meta` contains values, flags and switches related to specific processes.

The identification of the tracer (`t_ident`) consists of

- a unique *fullname* composed of a *basename* and an additional optional *subname* (e.g., for tagging, isotopic information, phase information, etc.),
- the name of the *submodel* that defined the tracer in the tracer set,
- a unique *index*, which is the number of the tracer in the tracer set that can also be used to address the corresponding data (see Sect. 2.2),
- the *medium* of the tracer (e.g., air, aerosol, cloud, ocean, etc.),
- the *quantity* describing the abundance of the tracer (amount-fraction, number-density, or concentration), and its *unit*,
- the *type* of the tracer (e.g., single tracer, family, isotopomer).

Title Page

Abstract

Introduction

Conclusions

References

Tables

Figures

◀

▶

◀

▶

Back

Close

Full Screen / Esc

Printer-friendly Version

Interactive Discussion

The additional information in `t_meta` contains containers for integer, real and string values, respectively (one Fortran95 array of rank 1 for each type). These containers can be associated with specific information about the species (e.g., the molar mass), and/or switches for the corresponding processes (e.g., advection on or off). Additional containers can readily be added and used in those processes where they are required without any interference with already implemented processes/characteristics. More information on the meta-information structure can be found in the electronic supplement (<http://www.atmos-chem-phys-discuss.net/7/17069/2007/acpd-7-17069-2007-supplement.zip>).

TRACER provides high-level interface routines to define new tracers, to set the tracer meta-information, and to receive information from the meta-information structure (see electronic supplement <http://www.atmos-chem-phys-discuss.net/7/17069/2007/acpd-7-17069-2007-supplement.zip>).

## 2.2 The data structure

The data representation of a tracer set can use up to three array ranks (e.g., for 3 spatial dimensions). Every tracer set can provide an arbitrary number (1 or larger; only limited by the available memory) of *data-instances*, e.g., for the different stages of a time-integration scheme. The first three instances can optionally convey the specific meaning of the data at time step  $t$ , the tracer tendency, and the data at time step  $t - \Delta t$ , respectively. All data-instances of one tracer set are internally stored in a contiguous array of rank 6, where

- rank 1, 2 and 4 are the tracer set specific representation dimensions,
- rank 3 is the number of the tracer in the tracer set (*tracer index*),
- rank 5 is of length 1,
- rank 6 is the index of the data-instance in the tracer set.

## The generic MESSy submodel TRACER

P. Jöckel et al.

Title Page

Abstract

Introduction

Conclusions

References

Tables

Figures

◀

▶

◀

▶

Back

Close

Full Screen / Esc

Printer-friendly Version

Interactive Discussion

This implementation of the data as a contiguous array and the chosen distribution of the ranks allows an elegant and efficient addressing of meaningful sub-arrays through Fortran95 pointers.

The meta-information and data structure of a tracer set with 2 tracers is sketched in Fig. 1.

### 2.3 The setup procedure

Since the model setup including the number of tracers in a specific tracer set is only determined during the runtime of the model and the chemical information, especially the data, is quite memory consuming, a dynamical memory allocation is desirable.

For the sake of an optimal runtime performance, however, storage of all tracers in a tracer set in a contiguous array (for optimal memory access in loops) is also desirable. A hard-coded pre-set maximum number of tracers per tracer set is either a waste of memory, or requires a recompilation of the model if a change of the setup changes the number of tracers. In order to avoid both, the tracer setup is performed during the *initialisation phase* of the model simulation in the following steps:

1. Definition of tracer sets: The tracer sets are defined by the base model interface layer (BMIL; definition see [Jöckel et al., 2005](#); see also Fig. 3); different tracer sets are identified by a unique name.
2. Tracer definition: The submodels (in the submodel interface layer (SMIL); details in [Jöckel et al., 2005](#)) define their tracers within the tracer sets. At this stage only the meta-information is stored.
3. Setup of tracer sets: The tracer sets are fixed (locked) by the BMIL; after this, no more tracers can be added. The memory of the tracer sets is allocated according to the number of tracers in the tracer set and the associated representation. The required pointers to the sub-arrays (e.g., to the various data instances) are set. In addition, the concatenated lists of meta-information structures are transformed

Title Page

Abstract

Introduction

Conclusions

References

Tables

Figures

◀

▶

◀

▶

Back

Close

Full Screen / Esc

Printer-friendly Version

Interactive Discussion

into arrays, to allow efficient access via the tracer index (e.g., for usage within loops).

4. Chemical coupling: The submodels (in the SMIL) can receive information (e.g., availability, index, molar mass, etc.) about specific tracers and set local pointers to the corresponding data.

After the initialisation phase, the chemical coupling between the submodels does not change technically (i.e., w.r.t. the memory/pointer assignment) and the tracer data can be accessed efficiently during the *time integration phase* of the model simulation. In the *finalising phase* of the model simulation data and meta-information of all tracer sets are removed from the memory by the BMIL. TRACER provides the interface routines for these operations (<http://www.atmos-chem-phys-discuss.net/7/17069/2007/acpd-7-17069-2007-supplement.zip>).

### 3 TRACER\_FAMILY

The application of tracer families is a well-established approach to overcome numerical issues and unrealistic inconsistencies arising from calculating coupled processes with the common operator splitting technique. For instance, if changing boundary conditions (e.g., sunrise) cause the kinetic operator to establish a sudden dis-equilibrium among otherwise well balanced, related species (i.e., which react fast with each other) within a model time step  $\Delta t$ , large temporal and spatial gradients of short lived compounds result. A subsequent application of the advection operator results in an unrealistic transport of short lived species and therefore in an unrealistic initial condition for the kinetic operator in the next time step. In reality these two processes act simultaneously and during the transport the equilibrium between the related species is re-established. One possible solution is to combine the related (fast equilibrating species) into a *tracer family* and to transport only this family keeping the ratio among the family member

## The generic MESSy submodel TRACER

P. Jöckel et al.

Title Page

Abstract

Introduction

Conclusions

References

Tables

Figures

◀

▶

◀

▶

Back

Close

Full Screen / Esc

Printer-friendly Version

Interactive Discussion

mixing ratios constant during the model time step  $\Delta t$  (e.g., Sheela et al., 2005; Steil et al., 2003; Carver and Stott, 2000).

The same family concept can also be applied to reduce the stiffness of chemical reaction sets (e.g., Wayne, 2000, pp. 147/148, Austin et al., 2003). If fast chemical reactions lead to a steady state condition among a subset of tracers (the tracer family)  $x_1, x_2, \dots, x_n$ , these chemical reactions need not be explicitly calculated. Their effect can be imitated by setting the ratios within the tracer family constant:

$$\frac{x_i}{x_j} = \text{const.} \quad \forall i, j \in \{1, 2, \dots, n\} . \quad (1)$$

Besides this concept (further denoted as *type-1 family* concept, Sect. 3.1), another family concept is used to overcome slight unrealistic non-linearities, for instance in *tagging-techniques*, where additional characteristics, not necessarily measurable in reality, are assigned to the tracers. A common example is the tagging of specific species with the region of their primary emissions, or with an isotopic signature. Another example is the joined transport of different aerosol components of one mode or bin. Advection in reality is linear, i.e., the result of advecting a tracer  $x$  gives the same result as arbitrary splitting  $x$  into parts  $(x_1, x_2, \dots, x_n)$  and advecting these separately. Depending on the implementation and due to numerical limitations, the advection operator in the model might not be linear. As a result the two solutions (advecting  $x$  versus advecting the tagged components) will diverge during the integration. One solution is to force the linearity in each model time step by adjusting the values of  $x_1, x_2, \dots, x_n$  such that

$$\sum_{i=1}^n x_i = x \quad (2)$$

by concurrently keeping the ratios between the family member mixing ratios. This approach requires the processing of the original tracer  $x$  in addition to its parts  $x_1, x_2, \dots, x_n$  and is further denoted as *type-2 family* concept (Sect. 3.2). The MESSy sub-submodel TRACER\_FAMILY provides the infrastructure of both concepts.

**The generic MESSy  
submodel TRACER**

P. Jöckel et al.

Title Page

Abstract

Introduction

Conclusions

References

Tables

Figures

◀

▶

◀

▶

Back

Close

Full Screen / Esc

Printer-friendly Version

Interactive Discussion

[Title Page](#)[Abstract](#)[Introduction](#)[Conclusions](#)[References](#)[Tables](#)[Figures](#)[◀](#)[▶](#)[◀](#)[▶](#)[Back](#)[Close](#)[Full Screen / Esc](#)[Printer-friendly Version](#)[Interactive Discussion](#)

In the following, we denote the standard mode, when each tracer (data and meta-information) represents a specific chemical species as *tracer mode*. In contrast to this, the mode where two or more species are combined into one or more families is called *family mode*. The implementation of TRACER\_FAMILY is general insofar, as conversions between tracer mode and family mode (and vice versa) are possible at any time during a model time step. Thus, the simulated processes (not limited to kinetics or advection) can affect the single tracers and the tracer families. For this the TRACER\_FAMILY conversion routines can be called directly from the submodel interface layer (SMIL) of MESSy submodels.

### 3.1 Type-1 tracer families

In the tracer mode of the type-1 families, the tracer data instances  $x_{i,t-\Delta t}$  and  $x_{i,t}$  contain the abundance (e.g., the mixing ratio) of species number  $i$  at two stages ( $t - \Delta t$  and  $t$ ) of the time integration scheme, respectively. The third data instance, denoted as  $\left(\frac{\Delta x_i}{\Delta t}\right)_\tau$  contains the corresponding total tendency of the species within the operator splitting time integration scheme, i.e., taking into account the tracer tendencies of all processes calculated for the present time step up to the conversion into the family mode, therefore the notation  $\tau \leq \Delta t$ . For conversion into the family mode (e.g., before the advection operator is applied), first the weighted sum of the *family members* is calculated for each family and stored in a new tracer with index  $f$ :

$$x_{f,t-\Delta t} = \sum_{i \in \mathcal{F}} x_{i,t-\Delta t} \cdot K_i \quad (3)$$

$$x_{f,t} = \sum_{i \in \mathcal{F}} x_{i,t} \cdot K_i \quad (4)$$

$$\left(\frac{\Delta x_f}{\Delta t}\right)_\tau = \sum_{i \in \mathcal{F}} \left(\frac{\Delta x_i}{\Delta t}\right)_\tau \cdot K_i \quad (5)$$

Here,  $\mathcal{F}$  is the set of tracer indices of the family members. The  $\kappa_i$  are arbitrary weights that can be applied for conservation constraints. For instance, if

$$\kappa_i = 1 ; \forall i \in \mathcal{F} , \quad (6)$$

the number of molecules is conserved. If  $\kappa_j$  is the molar mass of the species, the total mass is conserved. And if  $\kappa_j$  is the number of chlorine atoms per molecule, the total number of chlorine atoms is conserved. These examples illustrate that only one selected property can be conserved.

As second step of the transformation from tracer mode into family mode, the (weighted) fractions  $\xi_j$  of the family members in the family are calculated:

$$\xi_{i,t-\Delta t} = \frac{X_{i,t-\Delta t} \cdot \kappa_i}{X_{f,t-\Delta t}} \quad (7)$$

$$\xi_{i,t} = \frac{X_{i,t} \cdot \kappa_i}{X_{f,t}} \quad (8)$$

$$\xi_{i,t+\tau} = \frac{\left( X_{i,t-\Delta t} + \left( \frac{\Delta X_i}{\Delta t} \right)_{\tau} \cdot \Delta t \right) \cdot \kappa_i}{X_{f,t-\Delta t} + \left( \frac{\Delta X_f}{\Delta t} \right)_{\tau} \cdot \Delta t} . \quad (9)$$

$\xi_{i,t+\tau}$  is, as above, the fraction taking into account all process tendencies of the current model time step up to the conversion, therefore the notation with  $\tau \leq \Delta t$ . To reduce the memory usage, all three fractions are stored in the memory of the tracer, i.e.,

$$\begin{aligned} X_{i,t-\Delta t} &\leftarrow \xi_{i,t-\Delta t} ; X_{i,t} \leftarrow \xi_{i,t} ; \\ \left( \frac{\Delta X_i}{\Delta t} \right)_{\tau} &\leftarrow \xi_{i,t+\tau} ; \forall i \in \mathcal{F} . \end{aligned} \quad (10)$$

At this stage, the process operators (e.g., advection) calculate and add additional tendencies for the family tracer:

$$\left( \frac{\Delta X_f}{\Delta t} \right)_{\tau} \leftarrow \left( \frac{\Delta X_f}{\Delta t} \right)_{\tau} + \left( \frac{\Delta X_f}{\Delta t} \right)_{\text{process}} . \quad (11)$$

**The generic MESSy  
submodel TRACER**

P. Jöckel et al.

Title Page

Abstract

Introduction

Conclusions

References

Tables

Figures

◀

▶

◀

▶

Back

Close

Full Screen / Esc

Printer-friendly Version

Interactive Discussion

The fractions  $\xi_{i,t-\Delta t}$ ,  $\xi_{i,t}$  and  $\xi_{i,t+\tau}$  are unchanged according to the assumption that the ratios among the family members are constant.

For the backward conversion from the family mode into the tracer mode after the processes affecting the families, the tracer information is reconstructed:

$$5 \quad X_{i,t-\Delta t} = \frac{X_f \cdot \xi_{i,t-\Delta t}}{K_j} \quad (12)$$

$$X_{i,t} = \frac{X_f \cdot \xi_{i,t}}{K_j} \quad (13)$$

$$\left( \frac{\Delta X_i}{\Delta t} \right)_\tau = \quad (14)$$

$$\frac{1}{\Delta t} \left( \xi_{i,t+\tau} \frac{X_{f,t-\Delta t} + \left( \frac{\Delta X_f}{\Delta t} \right)_\tau \Delta t}{K_j} - X_{i,t-\Delta t} \right) .$$

10 Note that the sequence of operations is not arbitrary:  $X_{i,t-\Delta t}$  must be reconstructed first, because it is used for  $\left( \frac{\Delta X_i}{\Delta t} \right)_\tau$ .

One special case w.r.t. the family concept occurs in the sequence of operators. At some stage within the time step the tracer data are output into files for later analysis of the results. At this stage the data should be in tracer mode, however, it is also desirable to consistently output the family tracer. For this, just before the output, only the first step of the conversion into the family mode (i.e., Eqs. 3–5) needs to be applied. Calculation of the fractions (Eqs. 7–9) and storage in the tracer data instances (Eq. 10) must be omitted. The respective conversion routine of TRACER\_FAMILY contains a specific switch to account for this special case (see [http://www.atmos-chem-phys-discuss.net/](http://www.atmos-chem-phys-discuss.net/7/17069/2007/acpd-7-17069-2007-supplement.zip)  
20 [7/17069/2007/acpd-7-17069-2007-supplement.zip](http://www.atmos-chem-phys-discuss.net/7/17069/2007/acpd-7-17069-2007-supplement.zip)).

Title Page

Abstract

Introduction

Conclusions

References

Tables

Figures

◀

▶

◀

▶

Back

Close

Full Screen / Esc

Printer-friendly Version

Interactive Discussion

### 3.2 Type-2 tracer families

Implementation of the type-2 family concept (e.g., for tracer tagging) is even simpler, since in contrast to the type-1 family mode, the type-2 family mode does not require a conversion of the family members into fractions of the family. Thus, a conversion into family mode (before a process operator acting on families) consists only of the first conversion step (Eqs. 3–5).

After the process, the backward conversion into tracer mode applies the forced linearisation, whereby the family tracer is the base, and the tagged family members are adjusted (rescaled). For this, first the (weighted) sum of the tracers at the current stage (i.e., accounting for the current total tendency) is calculated:

$$\hat{X}_{f,t+\tau} = \sum_{i \in \mathcal{F}} \left( X_{i,t-\Delta t} + \left( \frac{\Delta X_i}{\Delta t} \right)_{\tau} \cdot \Delta t \right) \cdot \kappa_i \quad (15)$$

With this sum and the current value of the family,

$$\tilde{X}_{f,t+\tau} = X_{f,t-\Delta t} + \left( \frac{\Delta X_f}{\Delta t} \right)_{\tau} \cdot \Delta t \quad (16)$$

the tracer tendencies are rescaled (denoted by the prime, see Appendix A)

$$\left( \frac{\Delta X_i}{\Delta t} \right)_{\tau}' = \frac{X_{i,t+\tau} - X_{i,t-\Delta t}}{\Delta t} = \left( \frac{\Delta X_i}{\Delta t} \right)_{\tau} \cdot \frac{\tilde{X}_{f,t+\tau}}{\hat{X}_{f,t+\tau}} + \frac{X_{i,t-\Delta t}}{\Delta t} \cdot \left( \frac{\tilde{X}_{f,t+\tau}}{\hat{X}_{f,t+\tau}} - 1 \right) \quad (17)$$

such that the time integration scheme yields consistent results between family and family members.

In TRACER\_FAMILY the rescaling of the type-2 family members (Eqs. 15–17) is optional. This allows the application of the type-2 family concept for purely diagnostic purposes, e.g., to define a family that contains all chlorine components.

Title Page

Abstract

Introduction

Conclusions

References

Tables

Figures

◀

▶

◀

▶

Back

Close

Full Screen / Esc

Printer-friendly Version

Interactive Discussion

### 3.3 Implementation

The definition of type-1 and type-2 families in TRACER\_FAMILY is controlled via a Fortran95 namelist. A family definition consists of

- the tracer set of the family,
- 5 – the family type (1 or 2),
- a switch for the rescaling (relevant for type-2 only)
- the name of the family tracer with an optional subname, and
- the list of tracer names of the family members and their weights. The default weight for all members of a family is 1.

10 The first valid tracer in the family member list determines the characteristics (meta-information) of the family, e.g., the molar mass. Listed family members which are not present in the chosen model setup are ignored. Empty families (i.e., with no members) are also ignored. The following limitations apply to the families and family members:

- 15 – Families can only have members of the same tracer set, due to the representation constraints.
- Families cannot be family members.
- A tracer cannot be a member of more than one family in one setup, with only one exception: Type-2 family members of a family without rescaling can be members of type-1 families.

### 20 3.4 Examples

For calculating the stratospheric chemistry in a model setup as presented in [Jöckel et al. \(2006\)](#) or similar, it is recommended to apply the type-1 family concept for the

17082

ACPD

7, 17069–17097, 2007

## The generic MESSy submodel TRACER

P. Jöckel et al.

Title Page

Abstract

Introduction

Conclusions

References

Tables

Figures

◀

▶

◀

▶

Back

Close

Full Screen / Esc

Printer-friendly Version

Interactive Discussion

EGU

reactive chlorine, bromine, and nitrogen compounds, respectively, for the advection operator:

$\text{ClO}_z$ : Cl, ClO, HOCl, OClO,  $\text{Cl}_2$  ( $\kappa_{\text{Cl}_2} = 2$ ),  $\text{Cl}_2\text{O}_2$  ( $\kappa_{\text{Cl}_2\text{O}_2} = 2$ )

$\text{BrO}_z$ : Br, BrO, HOBr, BrCl,  $\text{Br}_2$  ( $\kappa_{\text{Br}_2} = 2$ )

$\text{NO}_z$ : N, NO,  $\text{NO}_2$ ,  $\text{NO}_3$ ,  $\text{N}_2\text{O}_5$  ( $\kappa_{\text{N}_2\text{O}_5} = 2$ )

As indicated in parentheses, the weighting factors are chosen to conserve the number of chlorine, bromine, and nitrogen atoms, respectively.

An example for the application of the type-2 families is to transport aerosol components of a specific mode (or bin) of an aerosol dynamical model together as one family.

The corresponding namelist including both examples is shown in Appendix B.

## 4 TRACER\_PDEF

The abundance of tracers (mixing ratios, concentrations, etc.) are defined as non-negative quantities. A basic requirement of the implementation of processes changing the amount of tracers in ESMs is therefore the positive definiteness of the corresponding operators. This is for instance a crucial requirement for the design of numerical transport schemes (e.g., Prather, 1986; Bott, 1989; Smolarkiewicz and Rasch, 1991; Chlond, 1994). Nevertheless, negative values can still occur for several reasons. Some implementations, e.g., for tracer transport, can produce negative values in case very strong tracer gradients in time and/or space are present. Approximate parameterisations (e.g., linearised sinks) can produce negative “overshoots”. In any case there are numerical limitations; negative values can occur due to the limited precision and rounding errors, e.g., as (small) negative overshoots of the numerical solver for the stiff kinetic system. These negative values are unphysical and can lead to instabilities

Title Page

Abstract

Introduction

Conclusions

References

Tables

Figures

◀

▶

◀

▶

Back

Close

Full Screen / Esc

Printer-friendly Version

Interactive Discussion

in other process operators (which expect positive tracer values), e.g., resulting in illegal instructions, such as for instance the logarithm or square root of negative values. Furthermore, subsequently applied process operators (even if their implementation is accurately positive definite) will spread the problem, e.g., by transporting the negative values.

TRACER\_PDEF provides the functionality to correct (i.e., set to zero) and to budget these negative values. As a by-product, TRACER\_PDEF provides an online global mass diagnostic for all tracers.

For this, first the global masses of all tracers  $x$  are calculated

$$M_x^{(+)} = \sum x \cdot s_x \cdot m_{\text{air}} ; \forall x > 0 , \quad (18)$$

$$M_x^{(-)} = \sum x \cdot s_x \cdot m_{\text{air}} ; \forall x < 0 , \quad (19)$$

where the sum in both equations is over all grid boxes (according to the representation of the corresponding tracer set).  $m_{\text{air}}$  is the mass of air in the respective grid-box, and  $s_x$  is a tracer-specific factor for the conversion of the unit into a mass mixing ratio. With these definitions, a positive mass  $M_x^{(+)}$  and a negative mass  $M_x^{(-)}$  for each species  $x$  is calculated. If all operators were perfectly positive definite, and the initial condition was  $x \geq 0 ; \forall x$ , then the negative mass would be zero. In general, this is not the case. Therefore, as a second step the negative values are (optionally) reset to zero. For this, an additional tendency is added to achieve a value of zero at the end of the time integration scheme.

The procedure so far may mask severe implementation errors of other submodels. However, the ratio  $f_x$  of the negative mass to the conserved total mass

$$f_x = \frac{|M_x^{(-)}|}{M_x^{(+)} + M_x^{(-)}} \quad (20)$$

provides a measure for the severity of the positive definiteness violation for every species  $x$ . This can be used to define a (tracer specific) threshold above which

**The generic MESSy submodel TRACER**

P. Jöckel et al.

Title Page

Abstract

Introduction

Conclusions

References

Tables

Figures

◀

▶

◀

▶

Back

Close

Full Screen / Esc

Printer-friendly Version

Interactive Discussion

TRACER\_PDEF will terminate the model integration, since the violation is most likely caused by a severe error. If  $|M_x^{(-)}|$  is sufficiently small, the positive definiteness violation can be considered to be caused by numerical noise. The tracer specific threshold and the option to reset the negative values of a specific tracer are defined in a Fortran95 namelist (see Appendix B).

## 4.1 Examples

The sub-submodel TRACER\_PDEF has been applied in the simulations described by Jöckel et al. (2006). As an example, Fig. 2 shows the global tracer masses (positive and negative) for  $\text{NH}_3$  and BrO.  $\text{NH}_3$  occurs mainly in the troposphere, while BrO has higher mixing ratios in the stratosphere compared to the troposphere.

Both masses of both tracers show strong variations. The variations in the positive tracer mass result from the varying sources (emissions, chemistry) and sinks (chemistry, dry and wet deposition) depending on the meteorological conditions. For both species a seasonal cycle is evident. The negative values result from numerical limitations. While for  $\text{NH}_3$  (left panel of Fig. 2) the negative tracer mass occurs only sporadically, for BrO negative values are calculated almost continuously. This is a consequence of the higher photochemical activity (shorter lifetime) of BrO and its strong changes during sunrise and sunset. In contrast to this,  $\text{NH}_3$  in the applied kinetic setup is only indirectly influenced by the photochemistry.

For both species, the negative values are considered to result only from numerical noise, because the negative mass is 25 ( $\text{NH}_3$ ) and 28 (BrO) orders of magnitude lower than the positive mass. We therefore conclude that the correction hardly affects the global budget, but indeed increases the stability of the integration scheme and guarantees the overall positive definiteness for other process operators. We further point out that not for all species negative values occur (as shown in the examples here). For longer lived species, like  $\text{O}_3$ , but also for short-lived tracers, like H, negative values did never occur in the simulation and the correction was not required.

## The generic MESSy submodel TRACER

P. Jöckel et al.

Title Page

Abstract

Introduction

Conclusions

References

Tables

Figures

◀

▶

◀

▶

Back

Close

Full Screen / Esc

Printer-friendly Version

Interactive Discussion

## 5 PTRAC

The MESSy submodel PTRAC (for *prognostic tracers*) provides the possibility to define tracers via a Fortran95 namelist. The namelist entries (as shown in more detail in Appendix C) directly correspond to the tracer-meta information as explained in Sect. 2.1.

5 Tracers can be defined independently for different tracer sets.

In case a tracer is an aerosol species, its evolution largely depends on the aerosol dynamical model operator which defines the corresponding aerosol properties (e.g., radius, density, radius standard deviation, etc.). Thus, for aerosol tracers the name of the aerosol dynamical submodel, the corresponding method (modal or bin), the corresponding mode (or bin) number and the density of the specific aerosol component are stored in the tracer meta-information. This information can then be used by the aerosol dynamical models (and by other aerosol process operators) to select the tracers they process. An example for such an application is described in detail by [Kerkweg et al. \(2007\)](#).

15 In addition to this, PTRAC can also be used as a simplified modal aerosol dynamical model, in which the aerosol properties are constant in time and space. For this it provides a number of modes with the corresponding radii, radii standard deviations ( $\sigma$ ) and aerosol densities. These mode properties are defined in the namelist along with the specification of the tracers (more details are explained in Appendix C). This feature can be used in simplified model setups for testing the coupling to processes which operate on aerosol tracers, as for instance aerosol scavenging ([Tost et al., 2006](#)).

## 6 The implementation in the MESSy structure

TRACER with its submodels TRACER\_FAMILY and TRACER\_PDEF is implemented according to the MESSy standard ([Jöckel et al., 2005](#)), i.e., within the four layer structure. TRACER constitutes a *generic submodel*, i.e., a submodel providing a part of the MESSy infrastructure. The module structure is sketched in Fig. 3.

### The generic MESSy submodel TRACER

P. Jöckel et al.

Title Page

Abstract

Introduction

Conclusions

References

Tables

Figures

◀

▶

◀

▶

Back

Close

Full Screen / Esc

Printer-friendly Version

Interactive Discussion

As such, the MESSy submodels (within their submodel interface layer (SMIL)) are allowed to directly use routines from the submodel core layer (SMCL) of TRACER. Direct access to the sub-submodel routines of TRACER\_FAMILY and/or TRACER\_PDEF is not required. The interface routines for conversions of tracer families (explained in Sect. 3) are provided by the TRACER BMIL.

PTRAC is implemented as an “ordinary” MESSy submodel, in the same way as sketched for the submodel “xy” in Fig. 3. Details about the implementation of submodels have been documented by Jöckel et al. (2005).

## 7 Summary

The generic submodel TRACER provides the framework for the implementation of chemical species into Earth System Models. A tracer is split into its meta-information (characteristics that do not change with space and/or time) and its data (the abundance of the tracer in space and time). A multitude of tracers-sets can be defined and associated with different representations (grid, spectral coefficients, etc.) of the ESM. Each tracer set can store an arbitrary number (only limited by the physical memory) of data instances, e.g., for different stages of the time integration scheme of the model. TRACER includes two submodels, one for the application of tracer families (TRACER\_FAMILY) and one for correcting numerical negative overshoots to enforce the positive definiteness of tracer related processes (TRACER\_PDEF). As by-product, TRACER\_PDEF also provides a global tracer mass diagnostic. TRACER\_FAMILY comprises two different concepts, type-1 families for strongly related species (e.g., fast equilibrating species during advection), and type-2 families for the linearisation of tagging techniques. Both concepts can be applied simultaneously and the conversion routines can be applied by every MESSy submodel.

The MESSy submodel PTRAC can be applied to easily define prognostic tracers via a Fortran95 namelist. Furthermore, it can serve as a highly simplified aerosol dynamical model (with static aerosol properties) for the technical testing of aerosol

Title Page

Abstract

Introduction

Conclusions

References

Tables

Figures

◀

▶

◀

▶

Back

Close

Full Screen / Esc

Printer-friendly Version

Interactive Discussion

related processes (such as dry deposition or scavenging).

The code with documentation is part of the electronic supplement (<http://www.atmos-chem-phys-discuss.net/7/17069/2007/acpd-7-17069-2007-supplement.zip>). It can be applied to ESMs, general circulation models and chemistry transport models without further adaptations (such as other parts of the MESSy infrastructure).

## Appendix A

The rescaling for the type-2 family tracers (Eq. 17) results from two conditions. The first condition is that the (weighted) sum of the rescaled family members must be equal to the family (cf. Eqs. 16 and 17):

$$\begin{aligned} \tilde{x}_{f,t+\tau} &= a \cdot \hat{x}_{f,t+\tau} \\ x_{f,t-\Delta t} + \left( \frac{\Delta x_f}{\Delta t} \right)'_{\tau} \cdot \Delta t &= \\ a \cdot \sum_{i \in \mathcal{F}} (x_{i,t-\Delta t} + \left( \frac{\Delta x_i}{\Delta t} \right)'_{\tau} \cdot \Delta t) \cdot \kappa_i, \end{aligned} \quad (\text{A1})$$

where the prime denotes adjusted quantities. The family members are all rescaled with the same factor  $a$ , in order to leave the ratios between the family members unchanged.

Only the tendency on the left side is primed, since the second condition is that the values at  $t-\Delta t$  must not be changed. Substituting  $x_{f,t-\Delta t}$  with its definition (Eq. 3) on the left side, replacing the primed tendency with Eq. (5), i.e., with a sum of primed tracer tendencies, and solving for the sum over the primed tracer tendencies yields Eq. (17), since the equation must be valid for each family member  $x_i$  independently.

Title Page

Abstract

Introduction

Conclusions

References

Tables

Figures

◀

▶

◀

▶

Back

Close

Full Screen / Esc

Printer-friendly Version

Interactive Discussion

## Appendix B

Figure A1 shows an example namelist file as required by the generic MESSy submodel TRACER. In the CTRL namelist, the submodels TRACER\_FAMILY and TRACER\_PDEF are switched on (T) or off (F), respectively.

5 The CTRL\_FAMILY namelist controls the submodel TRACER\_FAMILY. Most important are the definitions of the tracer families ( $TF( . )$ ) as explained in Sect. 3.3. The number  $n$  of the family is arbitrary ( $1 \leq n \leq 50$  in the current implementation), but it must be unique. Here, number 1 to 3 correspond to the examples of type-1 families in Sect. 3.4. The weights are defined after the colon. Number 10 and 11 are examples of  
10 type-2 tracer families, one with and one without rescaling, respectively.

The CTRL\_PDEF namelist controls the submodel TRACER\_PDEF. The TPD\_DEFAULT( . ) entries (one for each tracer set) determine the default settings for all species of a tracer set. The numbers are arbitrary, but must be unique. In the example, the default for the tracer set “gp” is to reset the negative values (T) and  
15 to terminate (T) the simulation above the threshold ( $f_x=0.01$ ). This default value can then be overwritten for individual tracers with the TPD( . ) entries (HNO3\_nat and N in the example). The enumeration of TPD( . ) is also arbitrary (500 per tracer set), but the numbers need to be unique.

## Appendix C

20 Figure A2 shows an example namelist for the MESSy submodel PTRAC for the definition of tracers. Since “ordinary” submodels must access the infrastructure from their SMIL, the namelist is - according to the MESSy standard naming convention - named CPL. Depending on the type of the information, the corresponding variable names begin with I\_ for Fortran95 integer values, with R\_ for real values and C\_  
25 for character (string) values, respectively. In the example a tracer with name SF6 (C\_NAME(1)) in units of “mol/mol” (C\_UNIT(1)) is defined for the tracer set “gp”

### The generic MESSy submodel TRACER

P. Jöckel et al.

Title Page

Abstract

Introduction

Conclusions

References

Tables

Figures

◀

▶

◀

▶

Back

Close

Full Screen / Esc

Printer-friendly Version

Interactive Discussion

(`C_SETS(1)`). The identification of the tracer (i.e., the structure `t_ident`, see Sect. 2.1) is completed by specifying 0 (single tracer) as the type (`I_TYPE(1)`), 1 (air) as the medium (`I_MEDIUM(1)`) and 1 (amountfraction) as the quantity (`I_QUANTITY(1)`) of the tracer.

5 The entries `CASK_X(1, :)` (with  $X=I, R, S$  for Fortran95 integer, real or string values, respectively) specify the further characteristics (i.e., the contents of the meta-information containers of `t_meta`) for a specific tracer (here for tracer number 1) as explained in Sect. 2.1 and the supplement (<http://www.atmos-chem-phys-discuss.net/7/17069/2007/acpd-7-17069-2007-supplement.zip>). Note that for a given Fortran95  
10 type the order of the entries must correspond to the defined container numbers. In the example here, the sequences of the entries (e.g., the switches for the processes like advection, convection, vertical diffusion etc.) are indicated in the comment lines of the namelist. The molar mass of the tracer SF6 is 146.07 g/mol (`CASK_R(1,1)`).

All container numbers (number at 2nd rank of the `CASK_X`) used here (see below)  
15 are provided as Fortran95 `PARAMETERS` for usage in the code, thus the molar mass of tracer number 1 will be accessed as `CASK_R(1, R_MOLARMASS)`.

In case `I_MEDIUM(.)` is 2, the tracer will reside in the medium aerosol. In this case, the corresponding entries determine by which aerosol dynamical model the tracer should be treated (`CASK_S(.,1)`), what is the density of this aerosol  
20 component, (`CASK_R(.,5)`), whether it is a modal or a bin aerosol dynamical model (`CASK_I(.,13)`), and which mode or bin this tracer should reside in (`CASK_I(.,14)`).

In contrast to this, the entries `R_AEROSOL_SIGMA(.)` and `R_AEROSOL_RADIUS(.)` do not specify tracer characteristics, but rather define  
25 a radius standard deviation (`sigma`) and a radius for the mode `CASK_I(.,14)`, in case PTRAC is applied as a simplified modal aerosol dynamical model. Since `sigma`, radius and the aerosol density are common for a given mode, they are defined by the first tracer in the list (tracer enumeration) for a specific mode. In this case the aerosol density is set to 2/3 of the aerosol component density of this tracer (`CASK_R(.,5)`),

---

**The generic MESSy  
submodel TRACER**P. Jöckel et al.

---

Title Page

Abstract

Introduction

Conclusions

References

Tables

Figures

◀

▶

◀

▶

Back

Close

Full Screen / Esc

Printer-friendly Version

Interactive Discussion

providing an approximate ambient aerosol density.

*Acknowledgements.* The authors wish to acknowledge the use of the Ferret program for analysis and graphics in this paper. Ferret is a product of NOAA's Pacific Marine Environmental Laboratory (Information is available at <http://ferret.pmel.noaa.gov/Ferret/>).

## References

- Austin, J., Shindell, D., Beagley, S. R., Brühl, C., Dameris, M., Manzini, E., Nagashima, T., Newman, P., Pawson, S., Pitari, G., Rozanov, E., Schnadt, C., and Shepherd, T. G.: Uncertainties and assessments of chemistry-climate models of the stratosphere, *Atmos. Chem. Phys.*, 3, 1–27, 2003, <http://www.atmos-chem-phys.net/3/1/2003/>. 17077
- Bott, A.: A positive definite advection scheme obtained by non-linear renormalization of the advective fluxes, *Mon. Weather Rev.*, 117, 1006–1015, 1989. 17083
- Carver, G. D. and Stott, P. A.: IMPACT: an implicit time integration scheme for chemical species and families, *Ann. Geophys.*, 18, 337–346, 2000, <http://www.ann-geophys.net/18/337/2000/>. 17077
- Chlond, A.: Locally Modified Version of Bott's Advection scheme, *Mon. Weather Rev.*, 122, 111–125, 1994. 17083
- Jöckel, P.: Technical Note: Recursive rediscretisation of geo-scientific data in multiple dimensions in the Modular Earth Submodel System (MESSy) data import interface, *Atmos. Chem. Phys.*, 6, 3557–3562, 2006, <http://www.atmos-chem-phys.net/6/3557/2006/>. 17072
- Jöckel, P., Sander, R., Kerkweg, A., Tost, H., and Lelieveld, J.: Technical Note: The Modular Earth Submodel System (MESSy) – a new approach towards Earth System Modeling, *Atmos. Chem. Phys.*, 5, 433–444, 2005, <http://www.atmos-chem-phys.net/5/433/2005/>. 17071, 17075, 17086, 17087
- Jöckel, P., Tost, H., Pozzer, A., Brühl, C., Buchholz, J., Ganzeveld, L., Hoor, P., Kerkweg, A., Lawrence, M. G., Sander, R., Steil, B., Stiller, G., Tanarhte, M., Taraborrelli, D., van Aardenne, J., and Lelieveld, J.: The atmospheric chemistry general circulation model ECHAM5/MESSy1: consistent simulation of ozone from the surface to the mesosphere, *At-*

Title Page

Abstract

Introduction

Conclusions

References

Tables

Figures

◀

▶

◀

▶

Back

Close

Full Screen / Esc

Printer-friendly Version

Interactive Discussion

mos. Chem. Phys., 6, 5067–5104, 2006,

<http://www.atmos-chem-phys.net/6/5067/2006/>. 17082, 17085

Kerkweg, A., Sander, R., Tost, H., Jöckel, P., and Lelieveld, J.: Technical Note: Simulation of detailed aerosol chemistry on the global scale using MECCA-AERO, Atmos. Chem. Phys., 7, 2973–2985, 2007,

<http://www.atmos-chem-phys.net/7/2973/2007/>. 17086

Prather, M. J.: Numerical advection by conservation of second order moments, J. Geophys. Res., 91, 6671–6681, 1986. 17083

Sheela, V., Lal, S., and Brühl, C.: Validation of a 2D model using observed profiles of SF<sub>6</sub> with main focus on the tropics, Atmos. Environ., 39, 1255–1261, 2005. 17077

Smolarkiewicz, P. K. and Rasch, P. J.: Advection on the Sphere: An Eulerian Versus Semi-Lagrangian Approach, J. Atmos. Sci., 48, 793–810, 1991. 17083

Steil, B., Brühl, C., Manzini, E., Crutzen, P., Lelieveld, J., Rasch, P. J., Roeckner, E., and Krüger, K.: A new interactive chemistry climate model. I: Present day climatology and interannual variability of the middle atmosphere using the model and 9 years of HALOE/UARS data, J. Geophys. Res., 108, 4290, doi:10.1029/2002JD002971, 2003. 17077

Tost, H., Jöckel, P., Kerkweg, A., Sander, R., and Lelieveld, J.: Technical Note: A new comprehensive SCAVenging submodel for global atmospheric chemistry modelling, Atmos. Chem. Phys., 6, 565–574, 2006,

<http://www.atmos-chem-phys.net/6/565/2006/>. 17086

Wayne, R. P.: Chemistry of Atmospheres, Oxford University Press, 2000. 17077

ACPD

7, 17069–17097, 2007

## The generic MESSy submodel TRACER

P. Jöckel et al.

Title Page

Abstract

Introduction

Conclusions

References

Tables

Figures

◀

▶

◀

▶

Back

Close

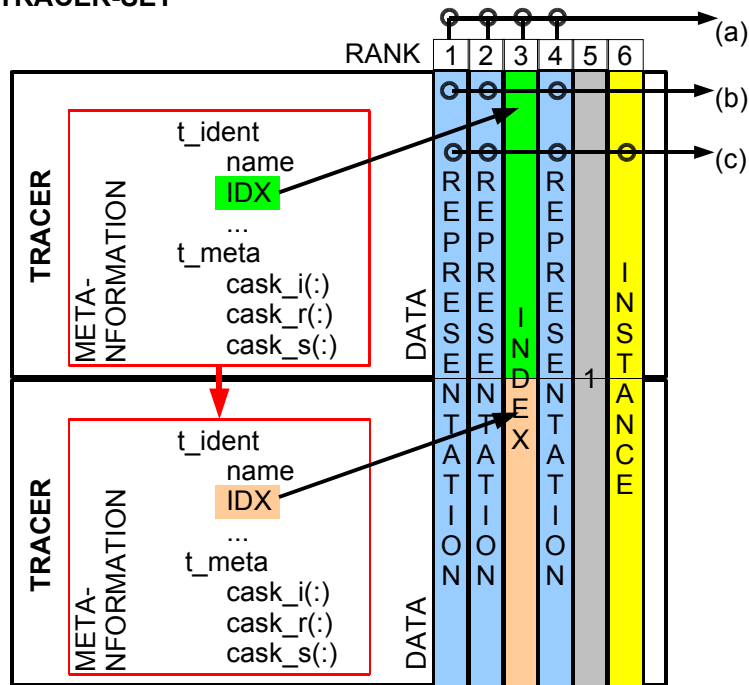
Full Screen / Esc

Printer-friendly Version

Interactive Discussion

EGU

# TRACER-SET



**Fig. 1.** Diagram showing the context of 2 exemplary tracers (with meta-information and data) stored in a tracer set. The meta-information is contained in a concatenated list (indicated by the red connector) of nested Fortran95 structures. The unique tracer index (IDX) can be used to directly access the data corresponding to the tracer. The contiguous data array allows the straightforward pointer based access to the tracer memory as indicated by 3 examples; the circles indicate the full range along the respective rank; ranks without circles are fixed by a specific index: (a) rank-4 pointer to one instance of all tracers in a tracer set; (b) rank-3 pointer to one instance of one tracer; (c) rank-4 pointer to all instances of one tracer.

[Title Page](#)

[Abstract](#)

[Introduction](#)

[Conclusions](#)

[References](#)

[Tables](#)

[Figures](#)

[◀](#)

[▶](#)

[◀](#)

[▶](#)

[Back](#)

[Close](#)

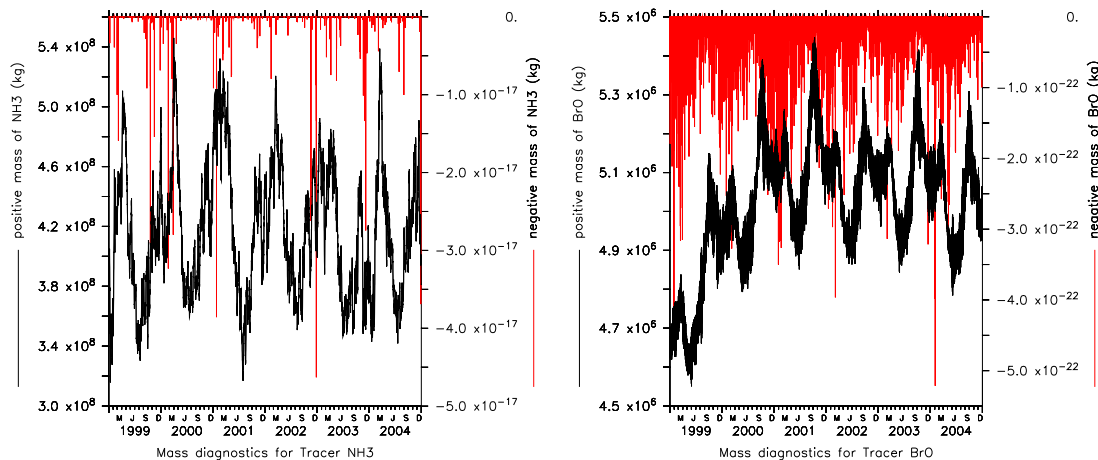
[Full Screen / Esc](#)

[Printer-friendly Version](#)

[Interactive Discussion](#)

The generic MESSy  
submodel TRACER

P. Jöckel et al.



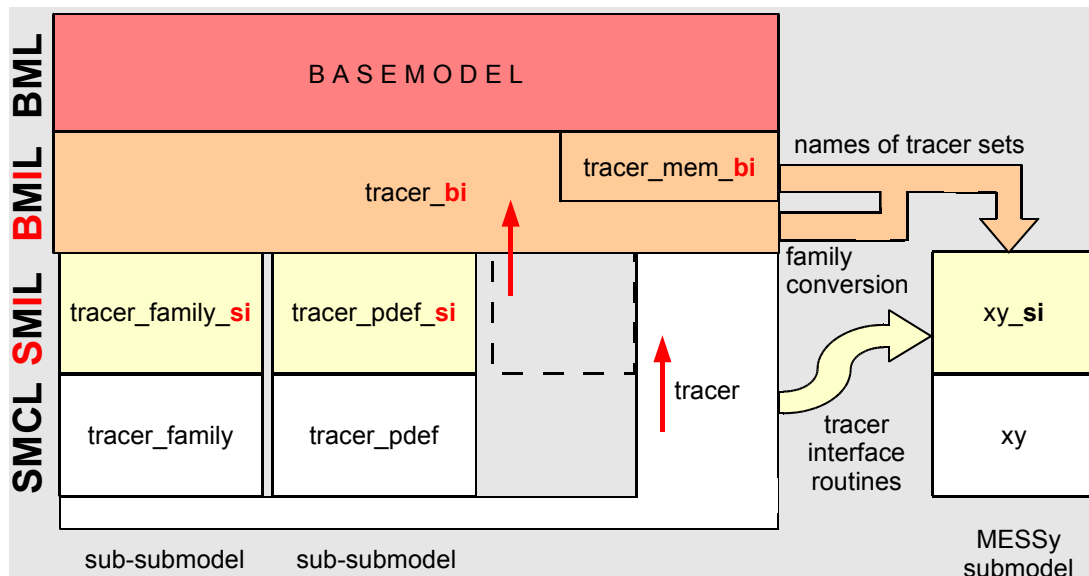
**Fig. 2.** Positive (black line, left axis) and negative (red line, right axis) global tracer masses in kg for  $\text{NH}_3$  (left panel) and  $\text{BrO}$  (right panel) for a simulation period of six years (1999 to 2004).

[Title Page](#)[Abstract](#)[Introduction](#)[Conclusions](#)[References](#)[Tables](#)[Figures](#)[◀](#)[▶](#)[◀](#)[▶](#)[Back](#)[Close](#)[Full Screen / Esc](#)[Printer-friendly Version](#)[Interactive Discussion](#)

EGU

## The generic MESSy submodel TRACER

P. Jöckel et al.



**Fig. 3.** Module structure of the generic submodel TRACER with its submodels TRACER\_FAMILY and TRACER\_PDEF. The names of the corresponding Fortran95 modules are *messy\_main\_X.f90*, where the “X” is a placeholder for the names in the boxes. The suffixes *si* and *bi* denote modules of the submodel interface layer (SMIL) and the base model interface layer, respectively. The red arrows indicate that for a generic submodel, the SMCL and SMIL provide the functionality for the SMIL and BMIL of “ordinary” submodels (here the submodel “xy”), respectively.

Title Page	
Abstract	Introduction
Conclusions	References
Tables	Figures
◀	▶
◀	▶
Back	Close
Full Screen / Esc	
Printer-friendly Version	
Interactive Discussion	

## The generic MESSy submodel TRACER

P. Jöckel et al.

Title Page

Abstract

Introduction

Conclusions

References

Tables

Figures

◀

▶

◀

▶

Back

Close

Full Screen / Esc

Printer-friendly Version

Interactive Discussion

EGU

```

&CTRL
L_FAMILY      = T,  !# USE TRACER FAMILIES (SEE CTRL_FAMILY BELOW)
L_PDEF        = T,  !# SWITCH TRACER SUBMODEL PDEF (SEE CTRL_PDEF BELOW)
/

&CTRL_FAMILY
!# SYNTAX:
!#   tracer set, family-type, switch, family-name, family-subname,
!#   LIST OF TRACERS ...
!#   ... name[_subname][:weight]
TF(1) = 'gp',1, , 'ClOX',',', 'Cl', 'ClO', 'HOCl', 'OC1O', 'Cl2O2:2.0', 'Cl2:2.0',
TF(2) = 'gp',1, , 'BrOX',',', 'Br', 'BrO', 'HOBr', 'BrCl', 'Br2:2.0',
TF(3) = 'gp',1, , 'NOX',',', 'N', 'NO', 'NO2', 'NO3', 'N2O5:2.0',
TF(10) = 'gp',2, , 'AERO', , 'cs', 'SO4_cs', 'OC_cs', 'BC_cs', 'SS_cs', 'DU_cs'
TF(11) = 'gp',2,F, 'AEROnoSCAL', 'as', 'SO4_as', 'OC_as', 'BC_as', 'SS_as', 'DU_as'
/

&CTRL_PDEF
L_DIAGOUT = T,  !# diagnostic output ?
!# SYNTAX: set-name, tracer-name, subname,
!#   reset to zero?, stop on exceed?, relative tolerance
TPD_DEFAULT(1) = 'gp', , , , T, T, 0.01,
!
TPD(1)          = 'gp', , 'HNO3', 'nat', T, F, ,
TPD(2)          = 'gp', , 'N', , , T, F, ,
!
/

```

**Fig. A1.** Example namelist file of the generic submodel TRACER with its submodels TRACER\_FAMILY and TRACER\_PDEF.

