



**HAL**  
open science

# Comparative analysis of the actual evapotranspiration of Flemish forest and cropland, using the soil water balance model WAVE

W. W. Verstraeten, B. Muys, J. Feyen, F. Veroustraete, M. Minnaert, L. Meiresonne, A. de Schrijver

## ► To cite this version:

W. W. Verstraeten, B. Muys, J. Feyen, F. Veroustraete, M. Minnaert, et al.. Comparative analysis of the actual evapotranspiration of Flemish forest and cropland, using the soil water balance model WAVE. *Hydrology and Earth System Sciences Discussions*, 2005, 2 (3), pp.761-799. hal-00298646

**HAL Id: hal-00298646**

**<https://hal.science/hal-00298646>**

Submitted on 18 Jun 2008

**HAL** is a multi-disciplinary open access archive for the deposit and dissemination of scientific research documents, whether they are published or not. The documents may come from teaching and research institutions in France or abroad, or from public or private research centers.

L'archive ouverte pluridisciplinaire **HAL**, est destinée au dépôt et à la diffusion de documents scientifiques de niveau recherche, publiés ou non, émanant des établissements d'enseignement et de recherche français ou étrangers, des laboratoires publics ou privés.

Papers published in *Hydrology and Earth System Sciences Discussions* are under open-access review for the journal *Hydrology and Earth System Sciences*

# Comparative analysis of the actual evapotranspiration of Flemish forest and cropland, using the soil water balance model WAVE

W. W. Verstraeten<sup>1,3</sup>, B. Muys<sup>2</sup>, J. Feyen<sup>1</sup>, F. Veroustraete<sup>3</sup>, M. Minnaert<sup>4</sup>, L. Meiresonne<sup>5</sup>, and A. De Schrijver<sup>4</sup>

<sup>1</sup>Laboratory for Soil and Water Management, Katholieke Universiteit Leuven, Vital Decosterstraat 102, Leuven, Flanders, Belgium

<sup>2</sup>Laboratory for Forest, Nature and Landscape Research, Katholieke Universiteit Leuven, Vital Decosterstraat 102, Leuven, Flanders, Belgium

<sup>3</sup>Flemish Institute for Technological Research, Centre for Remote Sensing and Atmospheric Processes Boeretang 200, Mol, Flanders, Belgium

<sup>4</sup>Laboratory of Forestry, Ghent University, Geraardsbergse Steenweg 267, Gontrode, Flanders, Belgium

<sup>5</sup>Institute for Forestry and Game Management (IBW), Gaverstraat 4, Geraardsbergen, Flanders, Belgium

© 2005 Author(s). This work is licensed under a Creative Commons License.

## Comparison of the evapotranspiration of Flemish forests and croplands

W. W. Verstraeten et al.

Title Page

Abstract

Introduction

Conclusions

References

Tables

Figures

◀

▶

◀

▶

Back

Close

Full Screen / Esc

Print Version

Interactive Discussion

Received: 15 April 2005 – Accepted: 20 April 2005 – Published: 27 May 2005

Correspondence to: W. W. Verstraeten (willem.verstraeten@biw.kuleuven.be)

**HESSD**

2, 761–799, 2005

---

**Comparison of the  
evapotranspiration of  
Flemish forests and  
croplands**

W. W. Verstraeten et al.

---

Title Page

Abstract

Introduction

Conclusions

References

Tables

Figures

⏪

⏩

◀

▶

Back

Close

Full Screen / Esc

Print Version

Interactive Discussion

## Abstract

This paper focuses on the quantification of the green – vegetation related – water flux of a forest stand in the temperate lowland of Flanders. The underlying reason of the research was to develop a methodology for assessing the impact of forests on the hydrologic cycle in comparison to agriculture. The approach tested for calculating the water consumption by forests was based on the application of the soil water balance model WAVE. The study involved the collection of data from 14 forest stands, the calibration and validation of the WAVE model, and the comparison of the water use (*WU*) components – transpiration, soil and interception evaporation – between forest and cropland.

For model calibration purposes simulated and measured time series of soil water content at different soil depths, period March 2000–August 2001, were compared. A multiple-site validation was conducted as well. Actual tree transpiration calculated with sap flow measurements in three forest stands gave similar results for two of the three stands of pine (*Pinus sylvestris* L.), but WAVE overestimated the actual measured transpiration for a stand of poplar (*Populus* sp.).

A useful approach to compare the *WU* components of forest versus cropland is scenario analysis based on the validated WAVE model. The statistical Profile Analysis method was implemented to explore and analyse the simulated *WU* time-series. With an average annual rainfall of 819 mm, the results show that forests in Flanders consume more water than agricultural crops. A 30 years average of 491 mm for 10 forests stands versus 398 mm for 10 cropped agricultural fields was derived. The *WU* components, on yearly basis, also differ between the two land use types (transpiration: 315 mm for forest and 261 mm for agricultural land use; soil evaporation: 47 mm and 131 mm, for forest and cropland, respectively). Forest canopy interception evaporation was estimated at 126 mm, while it was negligible for cropland.

## Comparison of the evapotranspiration of Flemish forests and croplands

W. W. Verstraeten et al.

Title Page

Abstract

Introduction

Conclusions

References

Tables

Figures

◀

▶

◀

▶

Back

Close

Full Screen / Esc

Print Version

Interactive Discussion

## 1. Introduction

Knowledge on forest hydrology and particularly on the water use ( $WU$ ) of forest ecosystems in Flanders is scarce. To assess the impact of forests on the hydrology of catchments, a modelling approach was applied using as input meteorological parameters and information of the forest stand. The approach to calculate the water consumption ( $WU$ ), i.e. the sum of plant transpiration ( $T_{act}$ ), soil evaporation ( $E_{act}$ ) and canopy interception evaporation ( $INT$ ), consisted in reconstructing the water balance of the forest stand applying a one-dimensional soil water balance model. The aim of this study is to evaluate if this approach enables a reasonably accurate estimate of the actual evapotranspiration ( $ET_{act}$ ). A modelling based approach for estimating the  $WU$  of forest ecosystems was preferred since Flanders forest is very fragmented with forest patches frequently smaller than one hectare. Representative flux tower measurements (Bowen ratio) require large homogeneous stands. Given the fragmented stand, the strong boundary effects and the relatively low material cost of soil water mass flux measurements, preference was given to use a one-dimensional atmosphere-crop-soil water balance model. An additional advantage of this approach is that other processes linked to the water cycle such as transport of nitrate, sulphur and phosphorus in soils and plants can be modelled as well, given that the input data for the cycles of these minerals are available.

The study was funded by the Flemish Government who included the afforestation of agricultural land in the long-term spatial planning (10 000 ha for the planning horizon 1997–2007). There is therefore a need to examine the effect of this policy on the water balance of watersheds. At this moment, forested land represents only a small fraction (11%) of Flanders in contrast to the land classified as agricultural area (56%). A drastic change in land use, i.e. a shift from agricultural to forest land might considerably affect the surface water and groundwater resource systems.

Given the atmospheric water demand of a region, it is commonly accepted that differences exist in water use between agricultural crops and forest vegetation. It is generally

## Comparison of the evapotranspiration of Flemish forests and croplands

W. W. Verstraeten et al.

Title Page

Abstract

Introduction

Conclusions

References

Tables

Figures

◀

▶

◀

▶

Back

Close

Full Screen / Esc

Print Version

Interactive Discussion

## Comparison of the evapotranspiration of Flemish forests and croplands

W. W. Verstraeten et al.

Title Page

Abstract

Introduction

Conclusions

References

Tables

Figures

◀

▶

◀

▶

Back

Close

Full Screen / Esc

Print Version

Interactive Discussion

assumed that the evapotranspiration from forests is larger than for any crop compared (Ladekarl, 1998). Bosh and Hewlett (1982) demonstrated an average reduction of water yield of approximately 25 mm per year for every 10% of catchment area covered with mature deciduous trees, compared to grassland or pioneer vegetation. For coniferous forests this would correspond with an average reduction of roughly 40 mm per year. But, Hall and Roberts (1990) demonstrated that the total water use of beech and ash forests on chalk and clay formations in southern Britain was lower than of grassland. The annual stand transpiration for ash forest was 372 mm as opposed to 355 mm for beech forest (Roberts and Rosier, 1994). Also from satellite remote sensing (Landsat TM) in the Netherlands, during the summer of 1995, Bastiaanssen et al. (2001) found that evapotranspiration from land surfaces covered with coniferous and deciduous vegetation was lower than the water use of agricultural crops on all the assumed dates. Their figures reveal an average daily evapotranspiration of respectively 3.5, 4 and 3.5 mm for crops and 2, 3 and 2.5 mm for forests. These examples from literature show that the effect of temperate forests on the hydrological balance is not unambiguous.

The concrete objective of this study was to assess for the soil and climatic conditions of Flanders the difference in water use of forests in comparison to agricultural land, using experimental data and the 1-dimensional field water balance WAVE (Vanclouster et al., 1994, 1996). Fourteen forest stands in Flanders, representing the main forest and soil types, were intensively or extensively equipped with hydrological measuring equipment in order to derive tree transpiration and soil and canopy interception evaporation. Data on cropland were available from other experiments. The experimental work served for the characterization of the model input and the state variables for testing, calibrating and validating the model. The parameters for modelling the water use of forest and agricultural land were derived indirectly, through model calibration. After calibration and validation, the WAVE model was used to estimate the components of the water balance of forest stands and agricultural land for a 30-year period (1971–2000). In the scenario-analysis the *WU* of 10 forest stands and 10 agricultural fields

were generated. The time series of the different  $WU$  components of forest stands and agricultural fields were examined using the Profile Analysis method.

## 2. Materials and methods

### 2.1. Model description

5 The atmosphere-crop-soil water balance model WAVE (Water and Agrochemicals in soil, crop and Vadose Environment) was developed by Vanclooster et al. (1994, 1996) and extensively calibrated and validated for different crops such as wheat, barley, maize, potato, sugar beet and grassland (Vanclooster, 1995; Duchene, 2000; Timmerman et al., 2001). WAVE is a physically based deterministic model that simulates  
10 the one-dimensional transport of water and energy in the variable saturated root zone of the soil profile. For the crops listed above the model contains modules for simulating simultaneously the nitrogen balance and the crop response to water and nitrogen availability in the root zone. Until recently the model was not intensively used to analyse the water balance of forest stands. It has been applied for the simulation of forest water  
15 fluxes of a poplar stand (Meiresonne et al., 1999) and a Scots pine stand (Meiresonne et al., 2003), with both applications being validated by sap flow measurements.

The water transport module of WAVE is based on the well-known Richards equation. For homogeneous, isotropic, isothermal, rigid and porous media, the one-dimensional water transport in an infinitesimal small soil element can be described as Eq. (1) and rearranged to Eq. (2) by introducing the differential water capacity  $C(h)=\delta\theta/\delta h$ , representing the slope of the water retention curve, and by expressing the hydraulic conductivity as a function of the pressure head, or:

$$\frac{\partial\theta}{\partial t} = \frac{\partial}{\partial z} \left[ K(\theta) \cdot \left( \frac{\partial h}{\partial z} + 1 \right) \right] \quad (1)$$

---

## Comparison of the evapotranspiration of Flemish forests and croplands

W. W. Verstraeten et al.

---

Title Page

Abstract

Introduction

Conclusions

References

Tables

Figures

◀

▶

◀

▶

Back

Close

Full Screen / Esc

Print Version

Interactive Discussion

$$C(h) \cdot \frac{\partial h}{\partial t} = \frac{\partial}{\partial z} \left[ K(h) \cdot \left( \frac{\partial h}{\partial z} + 1 \right) \right] \quad (2)$$

where  $\theta$  is the volumetric water content ( $\text{cm}^3 \text{ cm}^{-3}$ ),  $z$  the vertical coordinate (cm) defined as positive in the upward direction,  $t$  time in days,  $K(\theta)$  and  $K(h)$ , the hydraulic conductivity ( $\text{cm day}^{-1}$ ) and  $h$  the soil water pressure head (cm).

The soil parameters needed in WAVE are the water retention curve and the hydraulic conductivity function for the different horizons explored by the crop root system. Several parametric models exist for describing the soil hydraulic functions. In this paper the retention curve of van Genuchten (van Genuchten, 1980) and the hydraulic conductivity function of Mualem (1976) were used. The model parameters of the soil hydraulic functions were derived from laboratory measurements using undisturbed soil samples.

A Neuman boundary condition was assumed at the top of the soil profile, whereby the flux at the soil surface is the result of the infiltration and the evaporative flux. As long as the soil water conditions are not limiting, the flux is calculated as a balance of potential evaporation, rain, interception and ponding. However, when the soil is saturated by excess of rainfall or when prolonged soil evaporation occurs, the flux condition is changed to a pressure or Dirichlet condition. To solve the soil moisture equation at the bottom of the soil compartment the lower boundaries must be known. In this study, the most frequently applied bottom boundary conditions are the availability of time series of water tables, pressure heads or free drainage.

The procedure for calculating the actual transpiration in WAVE is shown in Fig. 1.  $ET_c$  is the multiplication of potential reference crop evapotranspiration ( $ET_o$ ) with the crop coefficient ( $K_c$ ), which varies with crop developmental stage. Interception evaporation is subtracted from potential crop evapotranspiration ( $ET_c$ ). In contrast to forests, interception of agricultural crops only make out a small fraction of the total water consumption (e.g. calculated from White (1999) 3–10% of the total rainfall against 18–30% for forests, Dolman et al., 2000). The potential transpiration ( $T_p$ ) rate is calculated as a Leaf Area Index based fraction of the difference of  $ET_c$  and interception evaporation. Potential transpiration is reduced to an actual level ( $T_{act}$ ) based on reigning moisture

**Comparison of the evapotranspiration of Flemish forests and croplands**

W. W. Verstraeten et al.

Title Page

Abstract

Introduction

Conclusions

References

Tables

Figures

◀

▶

◀

▶

Back

Close

Full Screen / Esc

Print Version

Interactive Discussion



conditions in the root zone and the maximum root water uptake rate ( $S_{max}$ ). The soil pressure head and saturation level will reduce the maximum root water extraction with a factor ( $\alpha(h)$ ) resulting in the actual water extraction function ( $S(h,z)$ ).

## 2.2. Model calibration and validation

5 Generally calibration is the iterative process of adjusting the sensitive model parameters until statistical criteria, measuring the agreement between observations and simulated values, reach their optimal value. Manual calibration involves model parameterisation, choice of the calibration parameters based on a sensitivity analysis of the model and the specification of calibration criteria. Matching measured and modelled time series of soil moisture content (*SMC*), by tuning model parameters, was selected as a single criterion for calibration. The main drawback of (manual) calibration is the absence of a generally accepted objective criterion for comparison (Anderson and Woessner, 1992). To a certain extent, multi-criteria performance evaluation deals with this issue. Because different statistical indicators address a different aspect of the measured set of data, such a multi-criteria approach will yield a more nuanced answer. The same issue of objective evaluation is raised with the validation of a calibrated model. Model performance should be evaluated using appropriate test statistics. Test statistics extract essential information from large data sets and reflects its properties into a limited number of indicators (Chow et al., 1993). The Root Mean Square Error (*RMSE*), Model efficiency (*ME*) and Coefficient of Determination (*CD*) were the simulation statistics implemented during model calibration and validation. The formulae of the statistics are given below:

$$RMSE = \sqrt{\frac{\sum_{i=1}^n (O_i - P_i)^2}{n}} \quad (3)$$

## Comparison of the evapotranspiration of Flemish forests and croplands

W. W. Verstraeten et al.

Title Page

Abstract

Introduction

Conclusions

References

Tables

Figures

◀

▶

◀

▶

Back

Close

Full Screen / Esc

Print Version

Interactive Discussion

$$ME = 1 - \frac{\sum_{i=1}^n (O_i - P_i)^2}{\sum (O_i - \bar{O})^2} \quad (4)$$

$$CD = \frac{\sum_{i=1}^n (O_i - \bar{O})^2}{\sum_{i=1}^n (P_i - \bar{O})^2} \quad (5)$$

where  $O_i$  is the  $i$ -th measured value,  $P$  is  $i$ -th simulated value,  $n$  is the total amount of available measurements in the considered time interval, and  $\bar{O}$  is the average of the observations.

$RMSE$  is a measure of the residual standard deviation and should be as small as possible (optimally 0). The  $RMSE$  is a maximum likelihood estimator under the assumption that the measurement errors are normally distributed with a mean value equal to zero and a constant variance.  $ME$  measures the correlation between observed and simulated data and should optimally be one. If  $0 < ME < 1$ , then the modelling results are acceptable; if  $ME = 0$ , then the average of the observed values are as good as the model; and if  $ME < 0$ , then taking the average of the observed values gives better results. In the latter case the model should be rejected.  $CD$  deals with the proportion of observed data that is explained by the simulated data and should optimally be one.  $CD$  indicates the performance related to the simulation of extreme values in the time series. As such,  $CD$  is considered as an indicator of the quality of the simulation of extreme values in soil water content, occurring when the evapotranspiration demand is highest, or after a dry period when intensive rainfalls are observed. The model overestimates the observed values if  $0 \leq CD < 1$ , and if  $CD > 1$  then the model underestimates the observed values.

The calibration and validation procedures described in this paper consist of a sensitivity analysis of the model parameters, manual model calibration using simulated and

## Comparison of the evapotranspiration of Flemish forests and croplands

W. W. Verstraeten et al.

Title Page

Abstract

Introduction

Conclusions

References

Tables

Figures

◀

▶

◀

▶

Back

Close

Full Screen / Esc

Print Version

Interactive Discussion

measured time series of soil water content at different depths of the soil profile (March 2000–August 2001) and multi-site validations, i.e. using the calibrated parameters from one site at other experimental sites during the same time period.

The selection of the model calibration parameters was based on the sensitivity analysis of the WAVE model parameters by Ducheyne (2000). Those parameters are the crop factor ( $K_c$ ), the saturated hydraulic conductivity ( $K_{sat}$ ), the root distribution function and the saturated volumetric water content ( $\theta_s$ ). The measured saturated hydraulic conductivity ( $\theta_s$ ) is highly variable and site dependent (Feyen et al., 1995; Verstraeten et al., 2001) and can rarely be directly imported from laboratory measurements. In reality, this parameter is 5–10% lower than the conductivity measured in laboratory, which according to van Genuchten et al. (1991) can be caused by enclosures of air in the soil pore network. The crop factor ( $K_c$ ) of forest stands cannot be determined with the approach commonly used for agricultural crops. Lysimeter experiments are inappropriate for large trees. Before tuning the  $K_c$  parameter series, representative  $K_c$  values ought to be defined for the different forests stands. The procedure of Gochis and Cuenca (2000) was implemented. Weekly  $K_c$  values were calculated from weekly evapotranspiration values derived as a residual value in the soil water balance (with water flux components measured at the experimental sites) and the reference evapotranspiration derived using the FAO56 approach (Allen et al., 1998). It is assumed that the tree crop factor will not differ much from the crop factor for agricultural crops given that the root density of water extracting roots of agricultural crops for a given land surface unit is larger than the root densities of forest tree roots (Mohren and van de Veen, 1995). The WAVE version used in this study implements a root distribution function whereby the amount of extracted soil water in each soil layer is put directly proportional to the root density and the soil water content in that layer.

The manual calibration procedure involved the following steps:

- (i)  $\theta_s$ , measured under laboratory conditions, is lowered to soil moisture values measured during the wettest period in winter with TDR sensors fixed at different depths in the soil profile;

## Comparison of the evapotranspiration of Flemish forests and croplands

W. W. Verstraeten et al.

Title Page

Abstract

Introduction

Conclusions

References

Tables

Figures

◀

▶

◀

▶

Back

Close

Full Screen / Esc

Print Version

Interactive Discussion

- (ii) The time series of  $K_c$  is tuned by comparing measured with simulated soil moisture profiles; and
- (iii) To derive the root water uptake function, a root profile description is conducted to obtain qualitative root density data and hence measured and simulated soil water contents are compared at different soil depths.

These steps are not strictly separated, taking into account the strong mutual interactions between the model parameters.

### 2.3. Field plots for model calibration and validation

14 forest stand sites (*Pinus sylvestris* L., *Populus sp.*, *Fagus sylvatica* L., *Fraxinus excelsior* L., *Quercus robur* L.) were equipped with a set of instruments and monitored during the period October 1999 until November 2001. The forest stands are located between  $51^{\circ}24'30''$  and  $50^{\circ}45'30''$  N and between  $3^{\circ}47'00''$  and  $4^{\circ}49'30''$  E. The height above sea level ranges between 5 and 129 m. The soil types are Regosol, Podzol, Podzoluvisol, Cambisol and Luvisol (Table 1, upper section). The date of establishment varies between 1875 and 1984 and the stand areas are between approximately 1 and 5 ha. The measurement campaign started on 1 March 2000 and lasted till 31 August 2001.

Per diagnostic soil horizon six undisturbed soil samples were taken (5.1 cm height, 5 cm diameter,  $100\text{ cm}^3$  volume) for the determination of the water retention curve and the hydraulic conductivity relation using standard laboratory methods (Klute, 1986). To monitor the soil moisture content (*SMC*) of each soil layer, two Time Domain Reflectometry sensors (TDR, 3 pins, 50 cm) (Topp et al., 1980) were installed horizontally at a mutual distance of 50 cm. Gravimetric soil samples in each soil layer were taken to calibrate the TDR sensors. Ten throughfall collectors, each ten meters apart and positioned in a cross pattern (six collectors and four perpendicular to the six), two tensiometers (at the bottom of the root zone) or, if a groundwater table is present within

## Comparison of the evapotranspiration of Flemish forests and croplands

W. W. Verstraeten et al.

Title Page

Abstract

Introduction

Conclusions

References

Tables

Figures

◀

▶

◀

▶

Back

Close

Full Screen / Esc

Print Version

Interactive Discussion

the 2 to 4 m one groundwater level tube were installed. A standard setup of the instrumentation is depicted in Fig. 2.

The WAVE model was calibrated using the monitored data of eight experimental plots (plots 1–8). Six plots were used for validation purposes. In the forest stands used for calibration, stemflow devices were installed on three representative trees. The model trees were selected based on the average and the average plus and minus the standard deviation stem diameters at breast height, calculated on all the trees within a 100 m<sup>2</sup> plot. Total rainfall (tipping bucket, Ecotechnic, The Netherlands), throughfall (*TF*), stemflow (*SF*) (only on the calibration plots), *SMC* profile (Tektronix 1502B, Redmond, USA) and the groundwater level (Eijkelpamp, the Netherlands) or matrix pressure in the bottom compartment (Thies CLIMA, Germany) were measured weekly. During the dormant season (1 November till 28 February) the measurements were made fortnightly. Total rainfall was measured in nearby open field plots such that neither vegetation nor any obstacle did intercept rain. *SF* is measured using a stemflow water collection system, consisting of a coiled gutter configured around the stem. To construct seasonal Plant Area Index (*PAI*) time series, canopy images were taken using a hemispherical lens (Nikon Fisheye Converter FC-E8), mounted on a digital camera (Nikon digital camera COOLPIX 950). Special attention was given to leaf clustering when calculating Leaf Area Index (*LAI*) from digital imagery with LICOR type formulas. Corrections for stems and branches were not performed. Further details of data analysis are given in Sect. 2.4.

The measured data and applied models are assumed to be representative at field level. During the campaign, almost two measurements a week were conducted at plot 1, 2 and 3 (see also Table 1). The soil physical characteristics of the 14 plots can be found in Verstraeten et al. (2001). The reference evapotranspiration was calculated using the Penman-Monteith method as described by Allen et al. (1998). Meteorological data of the nearest weather station of the Royal Meteorological Institute of Belgium were used.

## Comparison of the evapotranspiration of Flemish forests and croplands

W. W. Verstraeten et al.

Title Page

Abstract

Introduction

Conclusions

References

Tables

Figures

◀

▶

◀

▶

Back

Close

Full Screen / Esc

Print Version

Interactive Discussion

## 2.4. Canopy interception and Leaf Area Index determination

The amount of water intercepted by the canopy cannot be measured directly, was derived from the canopy water balance. Daily total rainfall, weekly throughfall ( $TF$ ) and stemflow ( $SF$ ) were measured in situ. Because of the large sampling interval, the distance between the total rainfall collector and the forest stand (2 to 10 km) and the impacts of obstacles such as hedges, fences, trees and houses on the measurements, negative interception amounts were occasionally obtained. Hence, another method was proposed which in a first step splits weekly measurements of  $TF$  and  $SF$  into daily values using linear interpolation with daily total rainfall. Then linear regression coefficients (intercept set to zero) were derived from the (interpolated) daily  $TF$  and  $SF$  with daily total rainfall for different periods according to the evolution of  $LAI$ . Four periods were delineated:

- $i = 1$  from 15 November until 30 March;
- $i = 2$  from 1 April until 14 June;
- $i = 3$  from 15 June until 14 September; and
- $i = 4$  from 15 September until 14 November.

The resulting correlation coefficients (slopes) were used to derive daily interception amounts by implementing the canopy water balance formula (Eq. 6):

$$INT_{id} = TR_d \cdot (1 - TF_i - SF_i) \quad (6)$$

where  $TF_i$  is the throughfall coefficient (-) for period  $i$ ,  $SF_i$  the stemflow coefficient (-) for period  $i$ ,  $TR_d$  is the daily total rainfall (mm) and  $INT_{id}$  the daily interception depth (mm) derived with coefficients for period  $i$ . The subscript  $i$  refers to one of the four periods cited earlier.

Leaf Area Index is derived from hemispherical digital canopy images (HDP). In fact, HDP provides Plant Area Indices ( $PAI$ ) because leaves, stems and branches are imaged without distinction. Standard methods were used to determine the  $PAI$  from the

## Comparison of the evapotranspiration of Flemish forests and croplands

W. W. Verstraeten et al.

Title Page

Abstract

Introduction

Conclusions

References

Tables

Figures

◀

▶

◀

▶

Back

Close

Full Screen / Esc

Print Version

Interactive Discussion

HDP imagery (extracting the blue channel of the optical spectrum, determining threshold values to distinguish plant area from sky fractions) (Jonckheere et al., 2004; Weiss et al., 2004). An automated procedure to analyze hundreds of hemispherical digital images was developed by Nackaerts (2002). Clumping of biomass was dealt with by applying the fractal dimension of the canopy image as correction factors (Nackaerts, 2002). The implementation of fractal dimension in  $LAI$  estimation resulted in a model able to explain 88% of the variation in indirectly measured  $LAI$ , as reported by Nackaerts et al. (2001) for an experiment in a pine forest.

## 2.5. Scenario analysis: comparison of the water use of agricultural crops and forest stands in Flanders

ET time series from model simulations of forests and agricultural crops were compared using the Profile Analysis (PA) module in the SAS-software (SAS Institute Inc., 1992). PA with repeated measurements (Johnson and Wichern, 1992; Jobson, 1992) is a statistical method that compares the ET of different groups  $g$  (forest and agricultural species) subject to the same set of  $p$  measurements (30 years) by examining the  $p-1$  slopes between the adjacent coordinate values for the mean vectors of the groups. The null hypothesis  $H_0$  is that the population mean profiles are similar. If the  $g$  profiles are horizontal there are no condition effects, whereas if the  $g$  profiles are equal there are no group effects. If the  $g$  profiles are neither horizontal nor equal they still may be parallel, which is an indication that there is no interaction between the group effects and the condition effects. So, first the test of parallel profiles is conducted, followed by the test of equal profiles and finally the profiles are tested whether they are horizontal. It is important to note that a meta-analysis of simulated data and not of observed measurements was performed.

For the derivation of the water consumption of agriculture and forested land ten agricultural fields (*Lolium perenne* L., *Triticum aestivum* L., *Hordeum vulgare* L., *Zea mays* L., *Beta vulgaris* L., each twice) fields with crops on which the WAVE model was calibrated and validated (Vanclooster, 1995; Duchene, 2000; Timmerman et al., 2001)

## Comparison of the evapotranspiration of Flemish forests and croplands

W. W. Verstraeten et al.

Title Page

Abstract

Introduction

Conclusions

References

Tables

Figures

◀

▶

◀

▶

Back

Close

Full Screen / Esc

Print Version

Interactive Discussion

and a selection of 10 forest stands from the calibration and validation exercise (see Sect. 2.3: pine on plot 1 and 14, poplar on plot 3 and 11, oak on plot 8 and 10, beech on plot 7 and 12, beech/oak on plot 4 and 5) were selected. The choice of the forest plots was based on having both calibration and validation sites (except for the mixed beech/oak site).

Concerning the agricultural plots, two crops (a main crop followed by a green cover crop) were considered for each simulation year; wheat, barley, maize and sugar beet, respectively. Pasture was assumed to cover the plot permanently. The fields are located between 51°10'00"–50°49'30" N and 3°47'30"–5°28'30" E at a height above sea level between 20 and 100 m on Podzol (Plot 2 and 8), Podzoluvisol (Plot 10), Luvisol (Plot 3, 4, 5, 6, 7, 9) and Anthrosol (Plot 1) soils (see also Fig. 5). The main crops wheat and barley are followed by white mustard (*Sinapis alba* L.), whereas maize is cultivated in combination with grass and sugar beet is followed by fallow land. Previous means that annual simulation values are the result of two crops, except for pasture. Characteristics of agricultural crops can be found in van Keulen (1982), Penning de Vries and Van Laar (1982), Spitters et al. (1986, 1988), Spitters (1986), among others.

To compare the *WU* of agricultural crops and forest vegetation the same atmospheric conditions were considered for all plots in using the climate data of the Ukkel meteorological station (50°51'00" N, 4°20'00" E, 100 m above sea level), being the main meteorological station of the Royal Meteorological Institute of Belgium. 30 years of meteorological data, 1971–2000, were selected to be sure that the climate time series encompassed the complete temporal variation of Flanders climate. In summary the WAVE model for each plot was run for a 30-year period using the same climate data, and site specific crop, soil and bottom boundary conditions. The most common lower boundary condition is the representation of a groundwater table near the soil surface (maximally 2 m under the soil surface) and a very deep groundwater table (free drainage condition). Since long time series of groundwater levels are rarely available, time series of groundwater levels were generated using the physically based autoregressive exogenous variable model (ARX) developed by Knotters and Bierkens (2000),

## Comparison of the evapotranspiration of Flemish forests and croplands

W. W. Verstraeten et al.

Title Page

Abstract

Introduction

Conclusions

References

Tables

Figures

◀

▶

◀

▶

Back

Close

Full Screen / Esc

Print Version

Interactive Discussion



which correlates the fluctuations of the water table to the temporal variation of the rainfall based on short term time series of observed rainfall and water table depth. The calibrated ARX model was then used to generate the time series of the water table depth for the 30-year period using the 30-year daily rainfall time series as input.

### 3. Results and discussion

#### 3.1. Model calibration

A graphical presentation of time series of measured and simulated volumetric *SMC* at different depths for plot 1 (a calibration plot with pine cover) is depicted in Fig. 3. The simulation statistics of the calibration plots (1–8) are listed in Table 1 (upper section). Most of the plots yielded an acceptable agreement between simulated and observed *SMC* (see the corresponding values for the statistical criteria). An in-depth analysis of the simulation results of the calibration plots is given in the following, and consists of a discussion of the simulated total soil water depth (depth of the soil profile equipped with TDR sensors, tensiometers or groundwater tubes) followed by the analysis of the simulated water content per soil layer (equipped with TDR sensors).

Considering the whole soil profile, a slight underestimation occurs for plot 2 ( $CD=1.51$ ), and a large overestimation for plot 5 ( $CD=4.01$ ). The presence of a heavy clay layer (67% of the soil particles smaller than  $2\ \mu\text{m}$ ) at a depth of 55 cm negatively affected the TDR readings. Previous is reflected in the high  $CD$  values (peak values are not well represented). The other soil layers are accurately simulated. Unrealistic TDR readings (*SMC* larger and smaller than the saturated and residual volumetric *SMC*) are responsible for the high  $CD$  values in plots 2 and 3.

Concerning the *ME* statistics all calibration plots, except plot 4 ( $ME=-0.06$ ), are simulated satisfactorily. For soil moisture time series at different depths plot 4 shows representative *ME* values. Nevertheless, at certain profile depths this plot is poorly modelled. The reason for this is the low dynamics of soil water in the deeper soil layers

## Comparison of the evapotranspiration of Flemish forests and croplands

W. W. Verstraeten et al.

Title Page

Abstract

Introduction

Conclusions

References

Tables

Figures

◀

▶

◀

▶

Back

Close

Full Screen / Esc

Print Version

Interactive Discussion

(the water table is always located at a depth of less than 70 cm). The negative *ME* values at some (especially higher) depths on the plots 1, 6, 7 and 8 are due to the overestimation of the root water uptake.

The *RMSE* for the profiles is acceptable with values smaller than 2.00, except for plot 4. Plots 4 and 5 are good examples to illustrate why multi-criteria statistics should be used. The *CD* of plot 4 indicates good simulation results, while the *ME* suggests that peaks are not well represented by the model. The *RMSE* is rather large taking into account that the change in *SMC* between summer and winter is maximal  $0.10 \text{ cm}^3 \text{ cm}^{-3}$ . For plot 5 the *CD* indicates that the measured values are much higher than the simulated ones. The groundwater table is located at less than 70 cm below surface for the whole year. Therefore very little variation in *SMC* is observed and the *CD* values become large.

In plot 1 (see also Fig. 3) very low *RMSE*'s are observed in contrast to the high changes in *SMC* (more than  $0.15 \text{ cm}^3 \text{ cm}^{-3}$  between summer and winter at 25, 50, 75 and 100 cm depth). The *ME* of the above mentioned soil layers is very good, indicating that most observed peaks are well simulated. Below 100 cm, *ME* indicates an unacceptable result notwithstanding that the soil water profile is in general well simulated. The *CD* value at 100 cm indicates model underestimations, meaning that the simulated water extraction from this soil layer is too low. Keeping in mind the large changes of *SMC* of  $0.10$  to  $0.30 \text{ cm}^3 \text{ cm}^{-3}$ , the *RMSE* value of plot 3 is acceptable. The *ME* at the different soil depths indicates a representative simulation of the peaks in soil water content, whereas the *CD* indicates that the model significantly underestimates the average course of soil water content.

### 3.2. Model validation

In Table 1 (bottom section) the statistics of measured and simulated volumetric *SMC* at different depths of the soil profile of the validation plots (9 to 14) are given. The *SMC* of the beech stands in plot 9 and 12 are simulated using the calibrated values of plot 7. The whole soil profile of plot 9 is well simulated, in contrast to the water

## Comparison of the evapotranspiration of Flemish forests and croplands

W. W. Verstraeten et al.

Title Page

Abstract

Introduction

Conclusions

References

Tables

Figures

◀

▶

◀

▶

Back

Close

Full Screen / Esc

Print Version

Interactive Discussion

**Comparison of the evapotranspiration of Flemish forests and croplands**

W. W. Verstraeten et al.

Title Page

Abstract

Introduction

Conclusions

References

Tables

Figures

◀

▶

◀

▶

Back

Close

Full Screen / Esc

Print Version

Interactive Discussion

content at 96 and 128 cm depth (high *RMSE* and *CD*, low *ME*). The overestimation of the *SMC* at a depth of 96 cm might be due to the effect of the presence of fine roots in this layer of which the effect was incorrectly mimicked with the *WAVE* model. The underestimation of the *SMC* in the layer below is most likely the consequence of overemphasizing in *WAVE* the effect of the thin clay layer, 3 cm in thickness, on top of this layer. The layer restricts the redistribution of the excess infiltration water, resulting in an underestimation of the *SMC* beneath the restricting thin layer.

The beech stand of plot 12 illustrates poor statistics (especially *ME*) at 15, 65 and 140 cm depth. This plot is a well drained loamy soil characterized by thin fingered soil layers. Previous hampered seriously the collection of representative undisturbed soil cores for the measurement in the laboratory of the soil hydraulic properties. Moreover, due to the overall dry conditions of the soil profile determination of the bottom boundary condition with tensiometers is inaccurate. On the other hand, at plot 12, water content changes larger than  $0.15 \text{ cm}^3 \text{ cm}^{-3}$  are observed at 5, 15 and 25 cm soil depths, being responsible for a profile *RMSE* of 2.78. Problems however did appear in constructing an accurate water extraction function for the root system.

The oak forest of plot 10 is simulated using the calibration results of plot 8. Again model underestimation is observed. The *RMSE* of 4.02 is acceptable because of the observed water content changes over the season of  $0.30 \text{ cm}^3 \text{ cm}^{-3}$ . Model underestimation may result from lateral water flows, since this plot is located in a former swamp. The drainage to the catchment of the Scheldt River is man controlled. Sudden drainage of water may occur, lowering the *SMC*. Especially, during the growing season, when the water demand for evapotranspiration is large, the *WAVE* model simulates less water extraction than observed.

The poplar stand of plot 3 is validated using the parameters derived for plot 11. Again, the occurrence of a clay layer, situated at a depth of 120 cm, hinders seriously the interpretation of the TDR readings. TDR readings above saturated and below residual soil moisture levels were observed, despite the shallow water table. The calibration values of plot 1 and 2 are validated using plots 13 and 14. The results of plot 14 are

## Comparison of the evapotranspiration of Flemish forests and croplands

W. W. Verstraeten et al.

Title Page

Abstract

Introduction

Conclusions

References

Tables

Figures

◀

▶

◀

▶

Back

Close

Full Screen / Esc

Print Version

Interactive Discussion

acceptable, despite the poor  $ME$  values. Apart from the simulations at a soil depth of 3 cm very few changes in  $SMC$  are observed (less than  $0.1 \text{ cm}^3 \text{ cm}^{-3}$ ) at larger depths. The surface layer of plot 14 is very thin with a high organic matter content (4.7%), affecting significantly the TDR readings. The poor  $ME$  is the result from simulated small peak values, which were not recorded. The high iron content of the soil in plot 13 is very likely responsible for the poor TDR readings. Gravimetric cross-calibration at 6 moments in time of the TDR readings did not improve the reliability of the readings. The  $RMSE$  values are better because of the low level of observed soil water dynamics.

### 3.3. Water balance in relation to forest stand characteristics

Table 2 summarizes the stand characteristics of the calibration and validation plots: minimum and maximum  $PAI$ ,  $TF$  and  $SF$  coefficients for the winter and summer season, minimum and maximum  $K_c$ , and the average ratio between the actual and potential crop evapotranspiration  $ET_{act}/ET_c$ , for the period 2000–2001, respectively.

Maximum  $PAI$  values ( $\text{m}^2 \text{ m}^{-2}$ ) vary between 1.80 (pine) and 5.50 (ash); minimum values between 0.10 (beech) and 2.60 ( $\text{m}^2 \text{ m}^{-2}$ ) (pine). As a consequence of the evergreen character, little variation in  $PAI$  values is found for the pine stands. The mixed stands show higher peak variations in  $PAI$ . In comparison to our results, Dolman et al. (2000) report higher maximal  $LAI$  values for poplar, pine and mixed broadleaf forests (respectively 3.70, 1.90 and 3.80). Probably this is both due to different stand characteristics (stand age, tree density, and site quality) and a different  $LAI$  determination method ( $PAI$  includes stems and branches). The ratios of the original  $PAI$  over the corrected  $PAI$  for clusters are 0.56, 0.54, 0.56, 0.58, 0.57, 0.54, 0.53, 0.57, 0.59 and 0.59 for plot 1 to 10. For plots 9 and 10, Samson (2001) reports an upper  $LAI$  value of 4.35. In uniform stands of ash, oak and beech,  $LAI$  values of 2.49, 4.37, 5.87, are reported by Samson et al. (1997).

The  $K_c$  of trees is, generally spoken, less than one (apart from poplar). This is in contrast to values reported by Doorenbos and Pruitt (1977) for full grown agricultural crops as barley ( $K_c=1.1$ ), wheat (1.1), sugar beet (1.1), maize (1.15) in similar clima-

tologic conditions. Forests seem to consume more water what may indicate that trees have more impact on groundwater tables than crops (Dolman et al., 2000).

The ratio  $ET_{act}$  over  $ET_c$  varies from 77.6 to 99.6% for the calibration plots and from 92.8 to 98.9% for the validation plots. For oak forests, Cermak et al. (1982) and Nizinski et al. (1989) found a transpiration ratio of 80%. Ladekarl (1998) found a ratio of 90%, corresponding well with the values listed in Table 2.

The water balance data of the calibration and validation plots for 2000 and part of 2001 (Rainfall,  $T_{act}$ ,  $E_{act}$  and  $INT$ ) are given in Table 3.

The ratios  $INT/Rainfall$ ,  $E_{act}/Rainfall$  and  $T_{act}/Rainfall$  of the calibration plots range between 5.9–31.0%, 0.4–26.0%, 19.3–74.4%, respectively. For the validation plots the ratios are between 9.9–37.4%, 1.6–12.3% and 22.9–74.6%. Average values for  $INT/Rainfall$  are 22% in the growing season and 14% in the dormant season. Dolman et al. (2000) report for a poplar, a pine and a mixed broadleaf forest in similar climatologically conditions a ratio of  $INT/Rainfall$  of 18, 27 and 30%. Mixed forests have interception losses of 24–30% (Dolman et al., 2000).

Annual transpiration values of 407.2 mm for poplar, 317.4 mm for oak, 171.5–223.7 mm for pine, 358.4 mm for beech and 264.4–271.4 mm for beech/oak were modelled with WAVE using in situ measurements gathered in the period 2000–2001 (Verstraeten et al., 2001). These values are in the same range as those reported by Dolman et al. (2000).

For the seasonal  $T_{act}$  of different uniform forests (oak-beech and ash), calculated from basal sap flow density measurements using  $LAI$  as a scaling factor, Samson (2001) reports annual values of 376 and 188 mm, respectively. This author also cites Peck and Mayer (1996) who concluded a mean annual  $T_{act}$  of 363 mm based on data of evaporation studies in 9 European beech forests. Meiresonne et al. (1999) found by applying the WAVE model a seasonal  $T_{act}$  of 311 mm for a mature hybrid poplar stand. A Scots pine stand showed a higher annual  $T_{act}$  when the growing season was dry and warm (295 mm) in comparison with a wet and cold summer (226 mm) (Meiresonne et al., 2003).

## Comparison of the evapotranspiration of Flemish forests and croplands

W. W. Verstraeten et al.

Title Page

Abstract

Introduction

Conclusions

References

Tables

Figures

◀

▶

◀

▶

Back

Close

Full Screen / Esc

Print Version

Interactive Discussion

## Comparison of the evapotranspiration of Flemish forests and croplands

W. W. Verstraeten et al.

Title Page

Abstract

Introduction

Conclusions

References

Tables

Figures

◀

▶

◀

▶

Back

Close

Full Screen / Esc

Print Version

Interactive Discussion

Larcher (1995) reported interception losses in temperate zone deciduous woodland typically ranging between 15 and 30% of the precipitation. If the interception losses are calculated as a percentage of the total  $WU$ , values of 18.5% for the poplar stand (plot 3) and 29.1% for the pine stand (plot 1) are found. These values are acceptable with a maximum  $LAI$  of 1.8 for plot 1. For plot 3 the maximum  $LAI$  of 4.8 is rather high. Plot 3 was the only forest stand where the  $LAI$  was not determined using digital hemispherical imagery. Instead, net radiation inside and outside the forest stand was measured. More details on this technique can be found in Meiresonne et al. (1999).

For the pine stand (plot 1) the contributions of  $T_{act}$ ,  $INT$  and  $E_{act}$  in the total  $WU$  for dry months (rainfall of 61.8–51.8 mm) with high  $ET_c$  demand (96–90 mm) in 2000 (June) and 2001 (June) are respectively 53, 12 and 35% for June 2000 and respectively 54, 11 and 36% for June 2001. If the monthly  $ET_c$  is low (7 and 8 mm in January 2000 and 2001) the  $INT/ET_{act}$  ratio varies between 88 and 98%. For the poplar stand (plot 3) for dry months (rainfall amount of 26 and 43 mm) and high  $ET_c$  demand (109 and 119 mm), e.g. August 2000 and June 2001, the contributions of the  $T_{act}$ ,  $INT$  and  $E_{act}$  is 91 and 84, 3–8 and 6–9%, respectively. If the monthly  $ET_c$  is low (6 and 14 mm in January 2000 and 2001) the  $INT/ET_{act}$  ratio becomes 97–81%. With a water consumption of 567 mm for plot 3 in 2000, the  $ET_{act}$  of poplar stand was considerably larger than the evaporative water loss of the pine stand of plot 1 (471 mm).

Sap flow measurements carried out on plots 1, 2 and 3 in the period 28 May–15 September 2000, using the sensors developed by Cermàk and Nadezhdina (1998), resulted in  $T_{act}$  values of 132, 113 and 201 mm, respectively (Verstraeten et al., 2001). WAVE simulations for  $T_{act}$  for the same plots and period were 136, 111 and 280 mm. For plot 1 and 2 both methods yielded similar values, in contrast to plot 3. A possible explanation could be that the contribution of  $E_{act}$  in plot 3 in the total  $WU$  is too small compared to the  $T_{act}$  because of the high  $LAI$  of the forest stand in this plot. On the other hand, in order to obtain modelled  $T_{act}$  values which are similar to the measured using sap flow sensors, the  $LAI$  must be smaller than 3. Meiresonne et al. (1999) carried out sap flow measurements in plot 3 in the period 8 August–3 September 1997,

and found at maximal developed  $LAI$  a correlation between the transpiration measured with sap flow ( $T_{sapfl}$ ) and  $ET_c$  of  $T_{sapfl}=0.86 \times ET_c$  with a correlation coefficient of 0.77. The same correlation was derived when the simulated  $T_{act}$  was plotted against  $ET_c$  for the period 1 July–31 August 2000 with a correlation coefficient of 0.78. If these correlations are applied, the underestimation of the measured sap flow versus the simulated transpiration in 2000 is probably due to up-scaling errors.

### 3.4. Scenario analysis

The annual  $WU$  components for each plot averaged over 30-years are depicted in Fig. 4 for forests and Fig. 5 for agricultural crops. Notice that the same species can have different  $WU$  amounts despite the same atmospheric conditions. This is due to different soil and environmental characteristics. Stand characteristics can be highly variable for the same tree species as shown in Table 3.  $PAI$ ,  $TF$  and  $SF$  are stand-specific in contrast to crops, which are much more uniform.  $T_{act}$  values of the forests vary between 248.1 and 400.5 mm,  $INT$  values between 44.5 and 195.3 mm and  $E_{act}$  values between 12.8 and 175.6 mm. Average yearly rainfall amounts 819.2 mm. The ratio of these values to rainfall is comparable with reported ones. For agricultural vegetation, WAVE simulated averaged  $T_{act}$  values between 184.7 and 287.8 mm and  $E_{act}$  values between 85.3 and 259.2 mm.

Visual inspection of Fig. 6 reveals that the  $WU$  profile of forest and agriculture are neither similar nor horizontal. For the period 1997–2000, the  $WU$  values of respectively 10 forest and 10 agricultural plots were averaged. The  $ET_{act}$  and  $T_{act}$  time series indicate some evidence of parallelism. However, the time series for forests depict more and sharper peak values while agricultural fields respond more dampened to the atmospheric water demand and soil moisture restrictions. From the results of the Multiple analysis of variance (MANOVA) (Profile Analysis method) and the F-statistics it is concluded that the hypothesis “of no land use effect on the  $ET_{act}$ ” does not apply in favour of the alternative hypothesis. Clearly, this means that forests show different water consumption behaviour than agricultural crops. For the sake of completeness one has

## Comparison of the evapotranspiration of Flemish forests and croplands

W. W. Verstraeten et al.

Title Page

Abstract

Introduction

Conclusions

References

Tables

Figures

◀

▶

◀

▶

Back

Close

Full Screen / Esc

Print Version

Interactive Discussion



## Comparison of the evapotranspiration of Flemish forests and croplands

W. W. Verstraeten et al.

Title Page

Abstract

Introduction

Conclusions

References

Tables

Figures

◀

▶

◀

▶

Back

Close

Full Screen / Esc

Print Version

Interactive Discussion

to be aware that no interception evapotranspiration of the agriculture crops has been taken into account (3–10%). In addition, the statistical analyses revealed that the assumption “of no overall effect of the different years (30 conditions)” is not valid. Again, this means that different years influence the water consumption. This is consistent with the results obtained with the Mixed General Linear Model method; see Wolfinger and Chang (1995) for more details on the technique. This study clearly shows that the overall water consumption is higher for forest. Soil evaporation is considerably lower in forests compared to cropland. It is important to note that the results of these analyses were carried out irrespective of the precondition of normality for all time series.

Average  $E_{act}$  distribution of forests and agricultural fields in Flanders is not normal distributed. Additional analysis shows that the distribution is lognormal, primarily due to the extremes observed in plot 1, a very sparse pine forest ( $PAI_{max}$  is 1.80) with an  $E_{act}$  which is much larger than for the other forest sites ( $PAI_{max}$  ranges from 3.20 to 5.46). The results of the t-test for the assumption of two distributions having the same variance (homoscedastic), or unequal variance show that the assumption of equal means for  $ET_{act}$ ,  $T_{act}$  and  $E_{act}$  of forests and agriculture in Flanders is rejected at the 95% level.

#### 4. Conclusions

The paper presents the calibration and validation results of the WAVE model applied to temperate lowland forests in Flanders. The water use components of forests and agricultural plots were derived from a 30-year scenario analysis. Manual calibration of the most sensitive parameters of the WAVE model resulted for most plots to acceptable multi-criteria statistics. However, the variations in  $SMC$  in some validation plots were not accurately simulated mainly due to plot specific factors. Statistical analysis of the simulated and observed  $SMC$  at different depths of the soil profile leads to the conclusion that an accurate description of the root water extraction function remains a bottle-neck.



## Comparison of the evapotranspiration of Flemish forests and croplands

W. W. Verstraeten et al.

Title Page

Abstract

Introduction

Conclusions

References

Tables

Figures

◀

▶

◀

▶

Back

Close

Full Screen / Esc

Print Version

Interactive Discussion

Poplar stands consume more water than pine stands, but for the latter in contrast to the previous the contribution of interception is much smaller. During periods with a high atmospheric water demand (summer) the contribution of the canopy interception evaporation to the total amount of the actual evapotranspiration is lower, while the actual transpiration becomes a larger fraction of the actual evapotranspiration. Furthermore, it has been shown that the simulated  $T_{act}$  for two plots correspond well with the results of sap flow measurements.

A central question investigated in this paper was whether or not simulated water use time series of forest and cropland are similar. Based on the results of the Profile Analysis method the assumption that the water use components of forest and agricultural vegetation are equal must be rejected, and the  $WU$  components seems to be dependent from the atmospheric conditions of the year (wet versus dry years). The study also reveals that the time-land use interaction affects the  $WU$  components. The average annual simulated  $ET_{act}$  is 491 mm for forest stands and 398 mm for crops;  $T_{act}$  is respectively 315 and 261 mm. The annual  $E_{act}$  under forest vegetation is estimated at 47 mm and 131 mm for cropland. The average annual  $INT$  in forest is 126 mm. The interception of agriculture crops is assumed to be very small and is set to zero (although literature applied values give 25 to 82 mm).

Although the study yielded a good picture of the ratio between the annual water fluxes in forest stands and cropland, future research should focus on the experimental determination of the different contributing mass fluxes in evapotranspiration, as to improve current modelling tools. Sap flow measurements provide accurate daily tree transpiration estimates, whereas measurements of soil heat fluxes could be used to measure soil evaporation. The Bowen Ratio method (Verma, 1990) applied on fluxes measured in and above the canopy together with footprint analyses, and scintillometer experiments (De Bruin et al., 1995) are all useful methods to collect time series of the  $WU$  components necessary for model development, calibration and application. Determination of the temporal variation of ET must also proceed with the modelling of its spatial variation.

Concerning the effect of land use on *WU*, further studies should focus also on the regional scale, either by using a GIS-modelling approach or applying remote sensing techniques. Nevertheless as illustrated in this study stand scale models can deliver major support to the interpretation of remotely sensed derived *WU* values, both in space and time.

*Acknowledgements.* The authors are grateful to the Flemish Community for having provided the funds to conduct this research (Vlaams Impulsprogramma Natuurontwikkeling, contract number VLINA9906). Without the technical support of the Department of Land Management (Katholieke Universiteit Leuven) and the Institute for Forestry and Game Management (IBW) the study would never have been feasible. We also like to thank the reviewers for their constructive comments, suggestions and time spent reviewing the manuscript.

## References

- Allen, R. G., Pereira, L. S., Raes, D., and Smith, M.: Crop evapotranspiration, Guidelines for computing crop water requirements, FAO Irrigation and Drainage Paper 56, FAO, Rome, 1998.
- Anderson, M. P. and Woessner, W. W.: Applied Groundwater Modelling Simulation of Flow and Advective Transport, University Press, Cambridge, 296 pp, 1992.
- Bastiaanssen, W. G. M., Pelgrum, H., Roerink, G., and Soeterink, K.: Soil moisture conditions in The Netherlands during the summer of 1995 interpreted from satellite measurements, in: GIS and remote sensing techniques in land- and water management, edited by: van Dijk, A. and Bos, M. G., Kluwer, Amsterdam, 69–86, 2001.
- Bosch, J. M. and Hewlett, J. D.: A review of catchment experiments to determine the effect of vegetation changes on water yield and evapotranspiration, J. Hydrol., 55, 3–23, 1982.
- Cermàk, J., Ulehla, J., Kucera, J., and Penka, M.: Sap flow rate and transpiration dynamics in full grown oak (*Quercus robur* L.) in floodplain forest exposed to seasonal floods as related to potential evapotranspiration and tree dimensions, Biol. Plantarum (Praha), 24 (6), 446–460, 1982.
- Cermàk, J. and Nadezhdina, N.: Sapwood as the scaling parameter – defining according to

## Comparison of the evapotranspiration of Flemish forests and croplands

W. W. Verstraeten et al.

Title Page

Abstract

Introduction

Conclusions

References

Tables

Figures

◀

▶

◀

▶

Back

Close

Full Screen / Esc

Print Version

Interactive Discussion

xylem water content or radial pattern of sap flow?, *Annales des Sciences forestières*, 55, 509–521, 1998.

Chow, V. T., Maidment, D. R., and Mays, L. W.: *Applied Hydrology*, McGraw-Hill international editions, Singapore, 572 pp, 1993.

5 De Bruin, H. A. R., van den Hurk, B. J. J. M., and Kohiesk, W.: The scintillation method tested over a dry vineyard area, *Boundary-Layer Meteorol.*, 76, 25–40, 1995.

Dolman, H., Moors, E., Elbers, J., Snijders W., and Hamaker, Ph.: *Het waterverbruik van bossen in Nederland*, Alterra Wageningen (in Dutch), 2000.

10 Doorenbos, J. and Pruitt, W. O.: *Crop water requirements*, FAO Irrigation and Drainage Paper 24, Rome, Italy, 1977.

Ducheyne, S.: Derivation of the parameters of the WAVE model using a deterministic and stochastic approach, PhD thesis No. 434, Faculty of Agricultural and Applied Biological Sciences, Katholieke Universiteit Leuven, 123 pp, 2000.

FAO: *Directives pour la Description des Sols*, FAO, Rome, Italy, 73 pp, 1994.

15 Feyen, J., Diels, J., Kim, D., Vanclooster, M., and Hubrechts, L.: Assessment of the effects of climate and land use change on the physical and the physico-chemical soil properties and on the transfer and the fate of soil water and chemical compounds, Project GC/01/036, Internal Publication No. 46, Katholieke Universiteit Leuven, 1995.

20 Gochis, D. J. and Cuenca, R. H.: Plant water use and crop curves for hybrid poplars, *J. Irrigation and drainage engineering*, 126, 206–214, 2000.

Hall, R. L. and Roberts, J. M.: *Hydrological aspects of new broad-leaf plantations*, *SEESOIL*, 6, 2–38, 1990.

Jobson, J. D.: *Applied multivariate data analysis, 2: Categorical and multivariate methods*, Springer New York, 1992.

25 Johnson, R. A. and Wichern, D. W.: *Applied multivariate statistical analysis*, Prentice-Hall International, Inc, 1992.

Jonckheere, I., Fleck, S., Nackaerts, K., Muys, B., Coppin, P., Weiss, M., and Baret, F.: Review of methods for in situ leaf area index determination, Part I. Theories, sensors and hemispherical photography, *Agric. For. Meteorol.*, 121, 19–35, 2004.

30 Klute, A. (Ed.): *Methods of soil analysis, Part 1, Physical and mineralogical methods*, 2nd ed., *Agronomy 9 (2)*, American Society of Agronomy, Madison, Wisconsin, USA, 1996.

Knotters, M. and Bierkens, M. F. P.: Physical basis of time series models for water table depths, *Water Resour. Res.*, 36 (1), 181–188, 2000.

---

## Comparison of the evapotranspiration of Flemish forests and croplands

W. W. Verstraeten et al.

---

Title Page

Abstract

Introduction

Conclusions

References

Tables

Figures

◀

▶

◀

▶

Back

Close

Full Screen / Esc

Print Version

Interactive Discussion

- Ladekarl, U. L.: Estimation of the components of soil water balance in a Danish oak stand from measurements of soil moisture using TDR, *For. Ecol. Manag.*, 104, 2327–238, 1998.
- Larcher, W.: Water economy in plant communities, in: *Physiological Plant Ecology*, edited by: Larcher, W., 2nd ed., Springer, Berlin, 1995.
- 5 Meiresonne, L., Nadezhdina, N., Cermàk, J., Van Slycken, J., and Ceulemans, R.: Measured sap flow and simulated transpiration from a poplar stand in Flanders (Belgium), *Agric. For. Meteorol.*, 96, 165–179, 1999.
- Meiresonne, L., Sampson, D. A., Kowalski, A. S., Janssens, I. A., Nadezhdina, N., Cermak, J., Van Slycken, J., and Ceulemans, R.: Water flux estimates from a Belgian Scots pine stand: a comparison of different approaches, *J. Hydrol.*, 270, 230–252, 2003.
- 10 Mohren, G. M. J. and van de Veen, J. R.: Forest growth in relation to site conditions, Application of the model FORGRO to the Solling spruce site, *Ecol. Model.*, 83(1-2), 173–183, 1995.
- Mualem, Y.: A new model for predicting the hydraulic conductivity of unsaturated porous media, *Water Resour. Res.*, 12(3), 513–522, 1976.
- 15 Nackaerts, K.: Modeling of leaf area index as a scale-integrated indicator for forest monitoring, PhD thesis No. 529, Faculty of Agricultural and Applied Biological Sciences, Katholieke Universiteit Leuven, 224 pp, 2002.
- Nackaerts, K., Wagendorp, T., Coppin, P., Muys, M., and Gombear, R.: A correction of indirect Leaf Area Index measurements for a non random distribution of needles on shoots, in: *Proceedings of the International Conference on Systems and Sensors for the New Millennium of The International Symposium on Spectral Sensing Research*, October 31–November 4, 1999, Las Vegas – Nevada, USA, 2001.
- 20 Nizinski, J., Morand, D., and Saugier, B.: Variation of stomatal resistance with leaf age in *Quercus petraea*: effect on the soil-water balance of an oak forest, *Tree Physiology*, 46, 429–432, 1989.
- 25 Peck, A. and Mayer, H.: Einfluss von Bestandesparametern auf die Verdunstung von Wäldern (in German), *Forstwiss. Centrabl.*, 115, 1–9, 1996.
- Penning de Vries, F. W. T. and Van Laar, H. H.: *Simulation of plant growth and crop production*, Simulation Monographs, PUDOC, Wageningen, The Netherlands, 1982.
- 30 Roberts, J. M. and Rosier, P. T. W.: Comparative estimates of transpiration of ash and beech forests at chalk site in southern Britain, *J. Hydrol.*, 162, 229–245, 1994.
- Samson, R., Follens, S., and Lemeur, R.: Scaling leaf photosynthesis to canopy in a mixed deciduous forest, I. Model description, *Silva Gandavensis*, 62, 1–21, 1997.

## Comparison of the evapotranspiration of Flemish forests and croplands

W. W. Verstraeten et al.

Title Page

Abstract

Introduction

Conclusions

References

Tables

Figures

◀

▶

◀

▶

Back

Close

Full Screen / Esc

Print Version

Interactive Discussion

## Comparison of the evapotranspiration of Flemish forests and croplands

W. W. Verstraeten et al.

[Title Page](#)

[Abstract](#)

[Introduction](#)

[Conclusions](#)

[References](#)

[Tables](#)

[Figures](#)

[◀](#)

[▶](#)

[◀](#)

[▶](#)

[Back](#)

[Close](#)

[Full Screen / Esc](#)

[Print Version](#)

[Interactive Discussion](#)

Samson, R.: An experimental and modelling approach to the actual evapotranspiration in a mixed forest ecosystem (Experimental forest Aelmoeseneie at Gontrode), PhD thesis, Universiteit Gent, 294 pp, 2001.

SAS/STAT software: Version 6, 4th edn., Volume 1, Cary, NC: SAS Institute Inc, 1989.

5 Spitters, C. J. T., Toussaint H. A. J., and Goudriaan, J.: Separating the diffuse and direct component of global radiation and its implications for modelling canopy photosynthesis, Part I. Components of incoming solar radiation, *Agric. For. Meteorol.*, 38, 217–229, 1986.

Spitters, C. J. T.: Separating the diffuse and direct component of global radiation and its implications for modelling canopy photosynthesis, Part II. Calculation of canopy photosynthesis, *Agric. For. Meteorol.*, 38, 231–242, 1986.

10 Spitters, C. J. T., van Keulen, H., and Van Kraalingen, D. W. G.: A simple but universal crop growth simulation model, SUCROS87, in: Simulation and systems management in crop protection, edited by: Rabbinge, R., Van Laar, H., and Ward, S., Simulation Monographs, PUDOC, Wageningen, The Netherlands, 1988.

15 Timmerman, A., Mertens, J., Kroes, J. G., and Vandenbosch, T.: Eindrapport projectonderdeel B. Watermanagement op bedrijfsniveau: “integratie van het beregeningsadviesstelsysteem met het peil- en nutriëntenbeheer”, Interregprogramma voor het Benelux Middengebied (in Dutch), 113 pp, 2001.

20 Topp, G. C., Davis, J. L., and Annan, A. P.: Electromagnetic determination of soil water content: Measurements in coaxial transmission lines, *Water Resour. Res.*, 16, 574–582, 1980.

Vanclooster, M., Viaene, P., Diels, J., and Christiaens, K.: WAVE, a mathematical model for simulating water and agrochemicals in the soil and vadose environment, Reference and user's manual, Release 2.0, Institute for Land and Water Management, Katholieke Universiteit Leuven, Leuven, 147 pp, 1994.

25 Vanclooster, M.: Nitrogen transport in soils: theoretical, experimental and numerical analysis, *Dissertationes de Agricultura*, Katholieke Universiteit Leuven, 278, 220 pp, 1995.

Vanclooster, M., Viaene, P., Christiaens, K., and Ducheyne, S.: WAVE, a mathematical model for simulating water and agrochemicals in the soil and the vadose environment, Reference and user's manual, release 2.1, Institute for Land and Water Management, Katholieke Universiteit Leuven, Leuven, 15 pp, 1996.

30 van Genuchten, M.: A closed-form equation for predicting the hydraulic conductivity of soil, *Soil Science Society of American Journal*, 44, 892–898, 1980.

van Genuchten, M., Leijer, F. J., and Yates, S. R.: The RETC code for quantifying the hydraulic

functions of unsaturated soils, IAG-DW12933934, U.S. Environmental Protection Agency, ADA, Oklahoma 74820, 1991.

van Keulen, H., Penning de Vries, F. W. T., and Drees, E. M.: A summary model for crop growth, in: Simulation of plant growth and crop production, edited by: Penning de Vries, F. W. T. and Van Laar, H., Simulation Monographs, PUDOC, Wageningen, The Netherlands, 87–97, 1992.

Verma, S. B.: Micrometeorological Methods for Measuring Surface Fluxes of Mass and Energy, Remote Sens. Rev., 5(1), 99–115, 1990.

Verstraeten, W. W., Minnaert, M., Meiresonne, L., Lemeur, R., Devos, B., Van Slycken, J., Deckers, J., Muys, B., and Feyen, J.: Kwantitatieve analyse van de verdamping van bossen in vergelijking met weide en akkerland (in Dutch), VLINA-9906, 225 pp, 2001.

Weiss, M., Baret, F., Smith, G. J., Jonckheere, I., and Coppin, P.: Review of methods for in situ leaf area index (*LAI*) determination, Part II. Estimation of *LAI*, errors and sampling, Agric. For. Meteorol., 121, 37–53, 2004.

White, M. A.: Monitoring en modelling growing season dynamics, PhD thesis, University of Montana, 9, 345, 1999.

Wolfringer, R. and Chang, M.: Comparing SAS® GLM and MIXED Procedures for Repeated Measures, SUGI Proceedings, 1995, SAS Institute Inc., Cary, NC, 1995.

---

## Comparison of the evapotranspiration of Flemish forests and croplands

W. W. Verstraeten et al.

---

Title Page

Abstract

Introduction

Conclusions

References

Tables

Figures

◀

▶

◀

▶

Back

Close

Full Screen / Esc

Print Version

Interactive Discussion

## Comparison of the evapotranspiration of Flemish forests and croplands

W. W. Verstraeten et al.

**Table 1.** Statistics (Root Mean Square Error (*RMSE*); Model Efficiency (*ME*) and the Coefficient of Determination (*CD*)) of measured and simulated volumetric soil moisture content (*SMC*) for soil profiles and minimum and maximum ranges at different depths of the calibration and validation plots; tree species, soil type, location (latitude/longitude) and height above sea level (asl) are also given.

Calibration plots		1	2	3	4	5	6	7	8
		<i>Pinus sylvestris</i>	<i>Pinus sylvestris</i>	<i>Populus sp.</i>	<i>Fagus sylvatica</i> <i>Quercus robur</i>	<i>Fagus sylvatica</i> <i>Quercus robur</i>	<i>Fraxinus excelsior</i>	<i>Fagus sylvatica</i>	<i>Quercus robur</i>
FAO soils	Umbric Regosol	Umbric Regosol	Stagnic Podzoluvisol	Gleyic Cambisol	Gleyic Cambisol	Gleyic Eutric Cambisol	Dystric Podzoluvisol	Haplic Luvisol	
Latitude	51°18'30"N	51°18'30"N	50°55'00"N	50°59'00"N	50°59'00"N	50°59'00"N	50°45'30"N	50°48'00"N	
Longitude	4°31'00"E	4°31'00"E	3°47'00"E	3°49'00"E	3°49'00"E	3°49'00"E	4°24'30"E	4°42'30"E	
Height (asl)	16 m	16 m	45 m	21 m	21 m	21 m	100 m	65 m	
Statistic Soil profile (range soil layers)									
RMSE (±)	0.01 (0.01-2.21)	1.52 (1.08-3.45)	0.74 (0.55-1.78)	5.2 (1.43-2.86)	1.6 (0.57-3.62)	1.53 (0.91-6.33)	2.03 (1.42-5.02)	1.25 (1.19-2.39)	
ME (±)	0.79 (-0.91-0.71)	0.72 (-0.67-0.78)	0.79 (0.28-0.86)	-0.06 (0.35-0.96)	0.98 (0.50-1.00)	0.05 (-1.22-0.80)	0.1 (-3.44-0.65)	0.24 (-1.58-0.62)	
CD (±)	0.68 (0.64-1.44)	1.51 (0.58-2.17)	1.93 (1.10-4.93)	0.81 (1.40-6.50)	4.01 (0.76-1.3)	0.44 (0.18-3.61)	0.6 (0.11-1.19)	0.42 (0.29-1.03)	
Validation plots		9	10	11	12	13	14		
		<i>Fagus sylvatica</i>	<i>Quercus robur</i>	<i>Populus sp.</i>	<i>Fagus sylvatica</i>	<i>Pinus sylvestris</i>	<i>Pinus nigra</i>		
FAO soils	Gleyic Antropic Cambisol	Gleyic Cambisol	Gleyic Cambisol	Dystric Podzoluvisol	Ferric Podzol	Haplic Podzol			
Latitude	51°04'30"N	51°09'00"N	50°54'30"N	50°45'30"N	51°09'30"N	51°24'30"N			
Longitude	3°02'30"E	3°52'30"E	4°09'30"E	4°27'30"E	4°59'30"E	5°04'00"E			
Height (asl)	22 m	5 m	35 m	129 m	22 m	30 m			
Statistic Soil profile (range soil layers)									
RMSE (±)	2.97 (3.56-7.86)	4.02 (3.90-5.71)	3.04 (2.06-12.81)	2.78 (1.98-3.88)	2.37 (2.03-5.16)	1.02 (0.62-4.53)			
ME (±)	0.58 (-9.52-0.66)	0.51 (0.33-0.54)	0.29 (-0.07-0.79)	-1.09 (-13.13-0.56)	-3.69 (-5.41--0.28)	-0.17 (-2.39-0.38)			
CD (±)	1.01 (0.08-2.85)	2.17 (1.47-4.80)	1.43 (0.31-2.91)	0.2 (0.06-0.65)	0.24 (0.17-3.90)	0.45 (0.21-2.00)			

Title Page

Abstract Introduction

Conclusions References

Tables Figures

⏪ ⏩

◀ ▶

Back Close

Full Screen / Esc

Print Version

Interactive Discussion

## Comparison of the evapotranspiration of Flemish forests and croplands

W. W. Verstraeten et al.

**Table 2.** Stand characteristics of the calibration and validation plots: minimum and maximum Plant-Area-Index (*PAI*); throughfall and stemflow (*TF* and *SF*) coefficients for the winter and summer season, respectively; minimum and maximum crop coefficient ( $K_c$ ); and the average ratio of the actual over the potential evapotranspiration ( $ET_{act}/ET_c$  average), for the period 2000–2001.

Calibration plots									
Parameter	units	1 <i>Pinus sylvestris</i>	2 <i>Pinus sylvestris</i>	3 <i>Populus</i>	4 <i>Fagus sylvatica</i> <i>Quercus robur</i>	5 <i>Fagus sylvatica</i> <i>Quercus robur</i>	6 <i>Fraxinus excelsior</i>	7 <i>Fagus sylvatica</i>	8 <i>Quercus robur</i>
$PAI_{max}$	(-)	1.80	1.80	4.80	5.46	5.46	5.50	4.67	3.50
$PAI_{min}$	(-)	1.30	1.30	1.50	1.00	1.00	1.02	1.77	2.50
TF & SF <sub>winter</sub>	(-)	0.041	0.041	0.136	0.129	0.129	0.605	0.797	0.611
TF & SF <sub>summer</sub>	(-)	0.062	0.062	/	0.207	0.207	0.901	0.972	0.818
$K_c$ max (*)	(-)	0.97	0.97	1.10	0.95	0.95	0.85	0.90	0.86
$K_c$ min (*)	(-)	0.71	0.71	0.90	0.45	0.45	0.70	0.78	0.75
$ET_{act}/ET_c$ average	(%)	96.2	89.2	97.4	99.6	95.4	91.6	95.4	77.6
Validation plots									
Parameter	units	9 <i>Fagus sylvatica</i>	10 <i>Quercus robur</i>	11 <i>Populus sp.</i>	12 <i>Fagus sylvatica</i>	13 <i>Pinus sylvestris</i>	14 <i>Pinus nigra</i>		
$PAI_{max}$	(m <sup>2</sup> /m <sup>2</sup> )	4.00	4.02	4.10	3.65	2.14	3.20		
$PAI_{min}$	(m <sup>2</sup> /m <sup>2</sup> )	0.10	2.00	2.00	2.00	1.92	2.60		
TF & SF <sub>winter</sub>	(-)	0.860	0.780	0.629	0.737	0.625	0.768		
TF & SF <sub>summer</sub>	(-)	0.920	0.970	0.856	0.934	0.906	0.835		
$K_c$ max (*)	(-)	0.90	0.86	1.10	0.90	0.97	0.97		
$K_c$ min (*)	(-)	0.78	0.75	0.90	0.78	0.71	0.71		
$ET_{act}/ET_c$ average	(%)	98.9	95.3	97.5	95.6	98.1	92.8		

(\*) Reference surface is grass (Doorenbos and Pruitt, 1997)

Title Page

Abstract

Introduction

Conclusions

References

Tables

Figures

◀

▶

◀

▶

Back

Close

Full Screen / Esc

Print Version

Interactive Discussion



## Comparison of the evapotranspiration of Flemish forests and croplands

W. W. Verstraeten et al.

**Table 3.** Water balance data in mm (rainfall; actual transpiration ( $T_{act}$ ), actual soil evaporation ( $E_{act}$ ) and canopy interception evaporation ( $INT$ )) of the calibration and validation plots for the year 2000 and the period January–August of 2001.

		Calibration plots							
Year	Parameter (mm)	1 <i>Pinus sylvestris</i>	2 <i>Pinus sylvestris</i>	3 <i>Populus</i>	4 <i>Fagus sylvatica</i> <i>Quercus robur</i>	5 <i>Fagus sylvatica</i> <i>Quercus robur</i>	6** <i>Fraxinus excelsior</i>	7 <i>Fagus sylvatica</i>	8 <i>Quercus robur</i>
2000	Rainfall	887.5	887.5	773.4	773.4	773.4	399.9	836.5	756.6
	$T_{act}$	223.7	171.5	407.2	271.5	264.4	119.5	358.4	317.4
	$E_{act}$	152.6	91.2	98.9	34.5	45.8	4.6	49.4	46.3
	INT	52.8	52.8	105.0	122.8	122.7	47.5	88.6	123.3
2001*	Rainfall	577.3	577.3	540.1	540.1	540.1	595.5	595.3	694.5
	$T_{act}$	222.7	184.8	401.6	224.5	198.1	198.0	287.4	339.3
	$E_{act}$	150.0	61.7	73.8	13.6	15.5	2.3	62.0	27.1
	INT	52.1	52.0	94.7	165.4	165.3	184.7	69.7	105.8
		Validation plots							
Year	Parameter (mm)	9*** <i>Fagus sylvatica</i>	10*** <i>Quercus robur</i>	11*** <i>Populus sp.</i>	12*** <i>Fagus sylvatica</i>	13*** <i>Pinus sylvestris</i>	14*** <i>Pinus nigra</i>		
2000	Rainfall	654.3	971.7	817.9	836.5	826.4	711.2		
	$T_{act}$	369.7	338.5	347.8	358.4	303.2	265.8		
	$E_{act}$	80.6	23.9	54.5	49.4	80.2	18.6		
	INT	64.9	109.0	207.5	88.6	91.7	265.8		
2001*	Rainfall	595.3	624.7	693	595.3	672.1	644.3		
	$T_{act}$	287.4	466.0	306.1	287.4	153.7	229.1		
	$E_{act}$	62.0	64.2	38.0	62.0	36.6	10.1		
	INT	69.7	79.7	223.0	69.7	215.3	139.5		

\* January–August 2001 only

\*\* August–September 2000

\*\*\* March–December 2000

Title Page

Abstract

Introduction

Conclusions

References

Tables

Figures

◀

▶

◀

▶

Back

Close

Full Screen / Esc

Print Version

Interactive Discussion

## Comparison of the evapotranspiration of Flemish forests and croplands

W. W. Verstraeten et al.

**Table 4.** Average, standard deviation and the 5 and 95 percentiles of the yearly water balance components for an average forest stand and agricultural field, calculated for the period 1971–2000.

		Rainfall (mm)	ET <sub>act</sub> (mm)	T <sub>act</sub> (mm)	E <sub>act</sub> (mm)	INT (mm)
Forest	N(0,1)		H <sub>0</sub>	H <sub>0</sub>	H <sub>a</sub>	H <sub>0</sub>
	mean	819.2	491.0	314.8	47.1	125.6
	stdev	123.9	56.58	57.71	48.52	51.23
	0.05%		418.0	248.1	12.8	44.5
	0.95%		587.6	400.5	175.6	195.3
Agriculture	N(0,1)		H <sub>0</sub>	H <sub>0</sub>	H <sub>a</sub>	/
	mean	819.2	397.5	261.2	131.4	/
	stdev	123.9	82.30	36.30	48.09	/
	0.05%		302.1	184.7	85.3	/
	0.95%		567.9	308.7	259.2	/

H<sub>0</sub> null hypothesis

H<sub>a</sub> alternative hypothesis

Title Page

Abstract

Introduction

Conclusions

References

Tables

Figures

◀

▶

◀

▶

Back

Close

Full Screen / Esc

Print Version

Interactive Discussion

Comparison of the evapotranspiration of Flemish forests and croplands

W. W. Verstraeten et al.

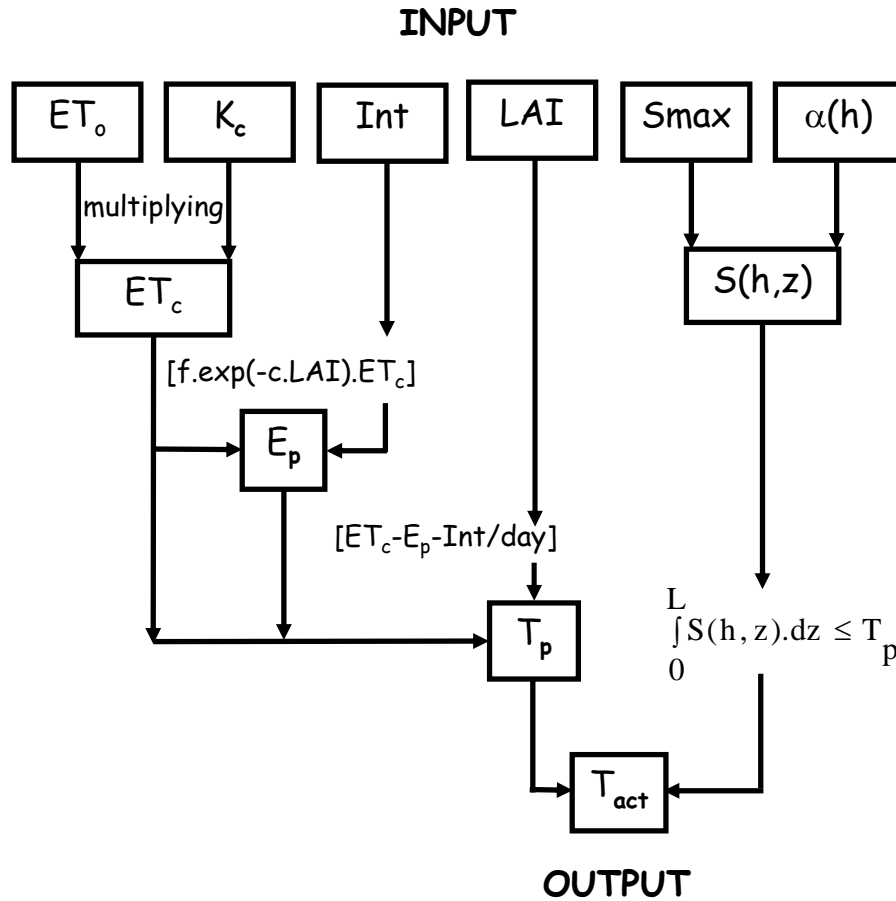


Fig. 1. Flow chart of the calculation module of actual transpiration ( $T_{act}$ ) in WAVE.  $f$  is set to 1 and  $c$  to 0.6.

Title Page

Abstract

Introduction

Conclusions

References

Tables

Figures

◀

▶

◀

▶

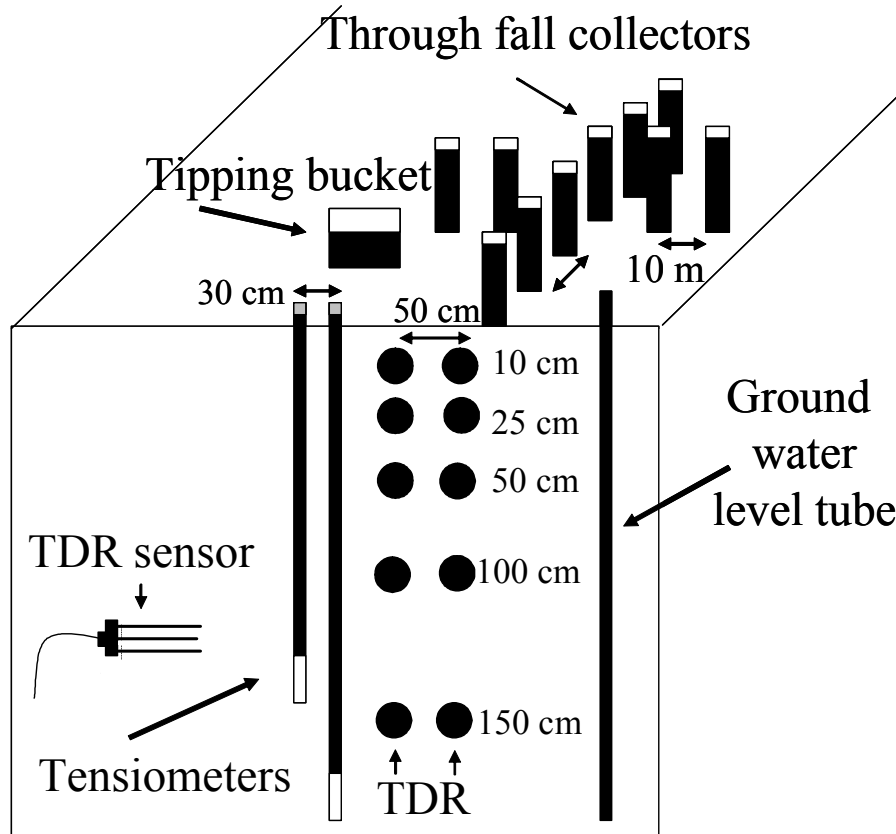
Back

Close

Full Screen / Esc

Print Version

Interactive Discussion



**Fig. 2.** Schematic view of the experimental setup of TDR sensors, tensiometers, throughfall collectors, tipping bucket for total rainfall, and water table observation tube.

[Title Page](#)

[Abstract](#)

[Introduction](#)

[Conclusions](#)

[References](#)

[Tables](#)

[Figures](#)

[◀](#)

[▶](#)

[◀](#)

[▶](#)

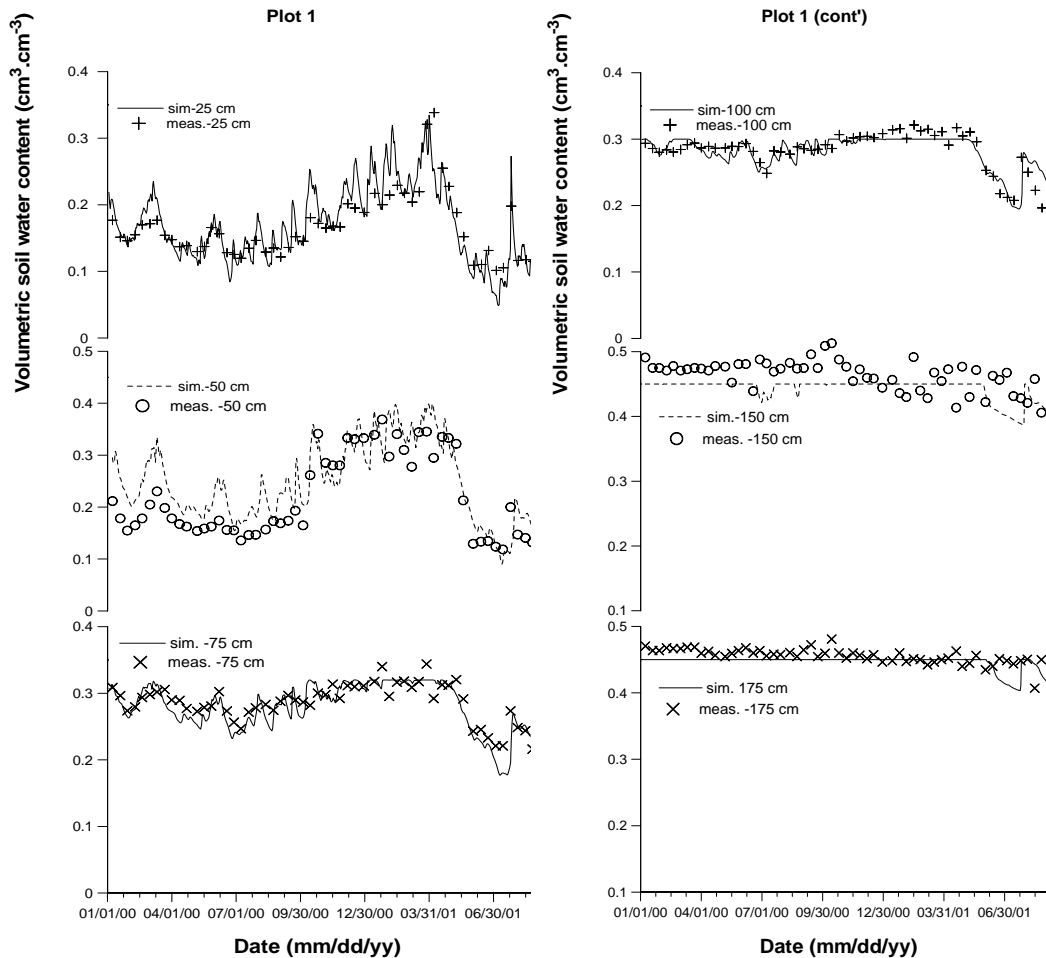
[Back](#)

[Close](#)

[Full Screen / Esc](#)

[Print Version](#)

[Interactive Discussion](#)



**Fig. 3.** Measured and simulated soil water contents at different depths in the soil profile of plot 1.

**Comparison of the evapotranspiration of Flemish forests and croplands**

W. W. Verstraeten et al.

Title Page

Abstract

Introduction

Conclusions

References

Tables

Figures

◀

▶

◀

▶

Back

Close

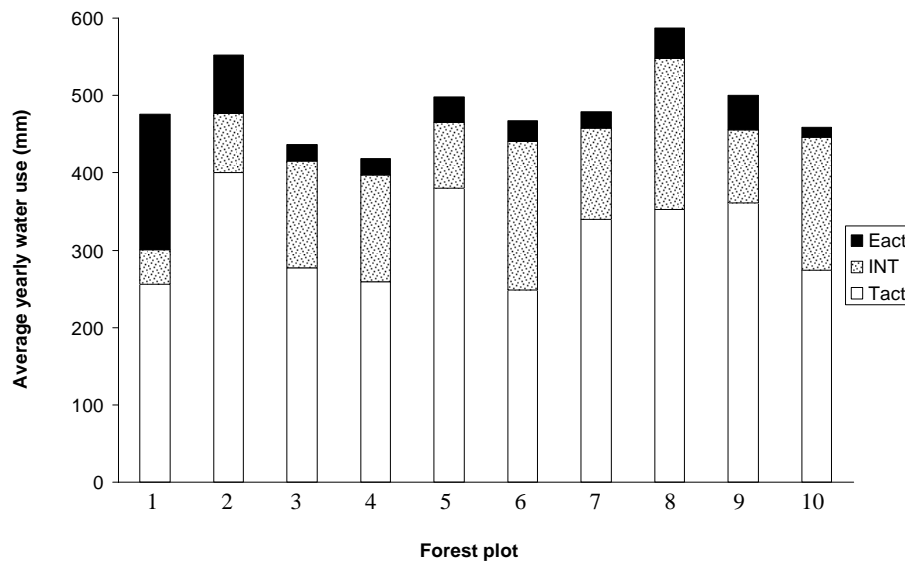
Full Screen / Esc

Print Version

Interactive Discussion

## Comparison of the evapotranspiration of Flemish forests and croplands

W. W. Verstraeten et al.



**Fig. 4.** Average yearly water use components of 10 forest stands in Flanders.  $ET_{act}$  is the sum of  $T_{act}$ ,  $E_{act}$  and  $INT$  (period: 1971–2000).

Title Page

Abstract

Introduction

Conclusions

References

Tables

Figures

⏪

⏩

◀

▶

Back

Close

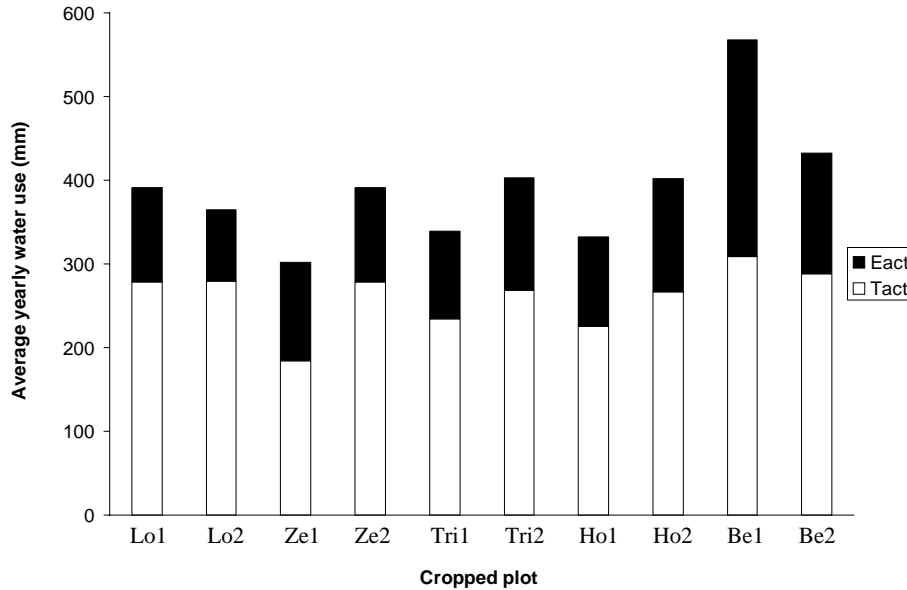
Full Screen / Esc

Print Version

Interactive Discussion

Comparison of the evapotranspiration of Flemish forests and croplands

W. W. Verstraeten et al.



**Fig. 5.** Averaged yearly water use components of 10 agricultural fields in Flanders (*Lolium perenne* L.: Lo; *Triticum aestivum* L.: Tri; *Zea mays* L.: Ze; *Hordeum vulgare* L.: Ho and *Beta vulgaris* L.: , Be).  $ET_{act}$  is the sum of  $T_{act}$  and  $E_{act}$  (period: 1971–2000).

Title Page

Abstract

Introduction

Conclusions

References

Tables

Figures

⏪

⏩

◀

▶

Back

Close

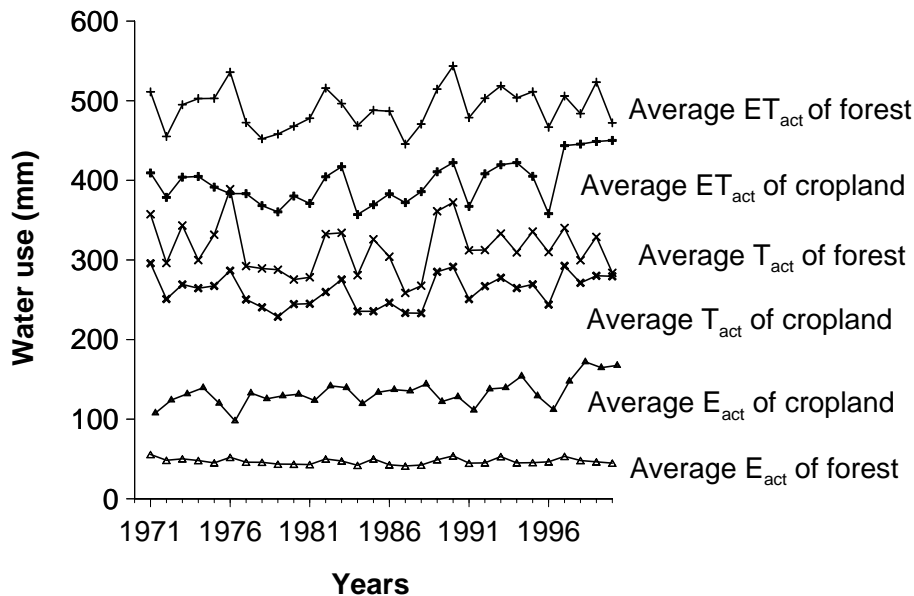
Full Screen / Esc

Print Version

Interactive Discussion

## Comparison of the evapotranspiration of Flemish forests and croplands

W. W. Verstraeten et al.



**Fig. 6.** Yearly variation of the actual evapotranspiration, crop transpiration and soil evaporation, averaged for 10 forest stands and 10 agricultural fields in Flanders, for the simulation period 1971–2000.

Title Page

Abstract

Introduction

Conclusions

References

Tables

Figures

◀

▶

◀

▶

Back

Close

Full Screen / Esc

Print Version

Interactive Discussion